

TECHNICAL CATALOGUE



MID-HEAVY DUTY GEARBOXES

STANDARD **IEC**

1. GENERAL INFORMATION

1.1	COMPANY PROFILE	8
1.2	PRODUCTS AND SOFTWARE MOTOVARIO	10

2. PRODUCT INFORMATION

2.1	DESIGN FEATURES	14
2.2	TYOLOGY	15
2.2.1	Designation	15
2.2.2	Versions	18
2.2.3	Gear train	19
2.2.4	Available motor mounting flanges	20
2.2.5	Range	22
2.3	MOUNTING POSITIONS	25
2.3.1	Executions	25
2.3.2	Mounting positions	26
2.4	PRODUCT SELECTION	28
2.5	LUBRICATION	32
2.5.1	Information	32
2.5.2	Lubricants	32
2.6	DIRECTION OF ROTATION	33

3. PBZ

3.1	PBZ	35
-----	-----------	----

4. PRODUCT INFORMATION PBZ

4.1	THERMAL POWER	36
4.1.1	Information	36
4.1.2	Verification	37
4.2	INPUT SPEED	39
4.3	LUBRICATION	40
4.4	OVERHUNG/AXIAL LOAD	41

4.4.1	Information	41
4.4.2	Input - Radial load	41
4.4.3	Output - Radial load	41

5. DIMENSIONS PBZ

5.1	REDUCERS/GEARED MOTORS	42
5.1.1	P2Z	42
5.1.2	P3Z	44
5.1.3	P4Z	46
5.1.4	B3Z	48
5.1.5	B4Z	50
5.2	WEIGHTS	52
5.3	SHAFT END	53
5.3.1	Input shaft end	53
5.3.2	Output shaft end	54

6. ACCESSORIES AND OPTIONS PBZ

6.1	LOW SPEED SHAFTS	55
6.1.1	Hollow output shaft with keyway	55
6.1.2	Hollow output shaft with shrink disc	56
6.2	INPUT FLANGES	57
6.2.1	Motor mounting flanges - PZ	57
6.2.2	Motor mounting flanges - BZ	59
6.3	DEVICES	61
6.3.1	Cooling and heating unit	61
6.3.2	Lubrication and monitoring unit	61
6.3.3	Cooling fan	62
6.3.4	Bearings lubrication motor pump	64
6.4	ACCESSORIES	65
6.4.1	Output flange	65
6.4.2	Backstop device	66
6.4.3	Output shaft cover	66
6.4.4	Optional seals	67
6.4.5	Other Accessories and Options	67

7. PERFORMANCES PZ

7.1	PZ GEAR REDUCER - 1750 rpm	69
7.2	PZ GEAR REDUCER - 1400 rpm	75
7.3	PZ GEAR REDUCER - 1140 rpm	81
7.4	PZ GEAR REDUCER - 900 rpm	87
7.5	PZ GEAR REDUCER - 700 rpm	93
7.6	PZ GEAR REDUCER - 500 rpm	99

8. PERFORMANCES BZ

8.1	BZ GEAR REDUCER - 1750 rpm	105
8.2	BZ GEAR REDUCER - 1400 rpm	109
8.3	BZ GEAR REDUCER - 1140 rpm	113
8.4	BZ GEAR REDUCER - 900 rpm	117
8.5	BZ GEAR REDUCER - 700 rpm	121
8.6	BZ GEAR REDUCER - 500 rpm	125

9. PBH

9.1	PBH	130
-----	-----------	-----

10. PRODUCT INFORMATION PBH

10.1	THERMAL POWER	131
10.1.1	Information	131
10.1.2	Verification	132
10.2	INPUT SPEED	134
10.3	LUBRICATION	135
10.4	OVERHUNG/AXIAL LOAD	136
10.4.1	Information	136
10.4.2	Input - Radial load	136
10.4.3	Output - Radial/Axial load	138

11. DIMENSIONS PBH

11.1	REDUCERS/GEARED MOTORS	145
11.1.1	P1H	145
11.1.2	P2H	146
11.1.3	P3H	147
11.1.4	P4H	148
11.1.5	B2H	149
11.1.6	B3H	150
11.1.7	B4H	151
11.2	WEIGHTS	152
11.3	SHAFT END	153
11.3.1	Input shaft end	153
11.3.2	Output shaft end	154

12. ACCESSORIES AND OPTIONS PBH

12.1	LOW SPEED SHAFTS	155
12.1.1	Hollow output shaft with keyway	155
12.1.2	Hollow output shaft with shrink disc	156
12.1.3	Splined hollow output shaft	157
12.1.4	Splined output shaft	157
12.2	INPUT FLANGES	158
12.2.1	Motor mounting flanges - PH	158
12.2.2	Motor mounting flanges - BH	160
12.3	DEVICES	162
12.3.1	Cooling and heating unit	162
12.3.2	Lubrication and monitoring unit	162
12.3.3	Cooling fan	163
12.3.4	Bearings lubrication pump	164
12.4	ACCESSORIES	165
12.4.1	Output flange	165
12.4.2	Reaction bolt	166
12.4.3	Backstop device	167
12.4.4	Output shaft cover	167
12.4.5	Assembling/disassembling kit	168
12.4.6	Optional seals	169
12.4.7	Other Accessories and Options	169

13. PERFORMANCES PH

13.1	PH GEAR REDUCER - 1750 rpm	171
13.2	PH GEAR REDUCER - 1400 rpm	175
13.3	PH GEAR REDUCER - 1140 rpm	179
13.4	PH GEAR REDUCER - 900 rpm	183
13.5	PH GEAR REDUCER - 700 rpm	187
13.6	PH GEAR REDUCER - 500 rpm	191

14. PERFORMANCES BH

14.1	BH GEAR REDUCER - 1750 rpm	195
14.2	BH GEAR REDUCER - 1400 rpm	198
14.3	BH GEAR REDUCER - 1140 rpm	201
14.4	BH GEAR REDUCER - 900 rpm	204
14.5	BH GEAR REDUCER - 700 rpm	207
14.6	BH GEAR REDUCER - 500 rpm	210

15. PBC

15.1	PBC	214
------	-----------	-----

16. PRODUCT INFORMATION PBC

16.1	THERMAL POWER	215
16.1.1	Information	215
16.1.2	Verification	216
16.2	INPUT SPEED	217
16.3	LUBRICATION	218
16.4	OVERHUNG/AXIAL LOAD	220
16.4.1	Information	220
16.4.2	Input - Radial load	220
16.4.3	Output - Radial load	220

17. DIMENSIONS PBC

17.1	REDUCERS/GEARED MOTORS	221
17.1.1	P1C	221
17.1.2	P2C	223
17.1.3	P3C	225
17.1.4	P4C	227
17.1.5	B2C	229
17.1.6	B3C	231
17.1.7	B4C	233
17.2	WEIGHTS	235
17.3	SHAFT END	236
17.3.1	Input shaft end	236
17.3.2	Output shaft end	237

18. ACCESSORIES AND OPTIONS PBC

18.1	LOW SPEED SHAFTS	238
18.2	DEVICES	239
18.2.1	Cooling and heating unit	239
18.2.2	Lubrication and monitoring unit	239
18.2.3	Cooling fan	240
18.2.4	Bearings lubrication pump	241
18.3	ACCESSORIES	242
18.3.1	Backstop device	242
18.3.2	Output shaft cover	242
18.3.3	Axial fixing washer	243
18.3.4	Optional seals	244
18.3.5	Other Accessories and Options	244

19. PERFORMANCES PC

19.1	PC GEAR REDUCER - 1750 rpm	245
19.2	PC GEAR REDUCER - 1400 rpm	252
19.3	PC GEAR REDUCER - 1140 rpm	259
19.4	PC GEAR REDUCER - 900 rpm	266

19.5	PC GEAR REDUCER - 700 rpm	273
19.6	PC GEAR REDUCER - 500 rpm	280

20. PERFORMANCES BC

20.1	BC GEAR REDUCER - 1750 rpm	287
20.2	BC GEAR REDUCER - 1400 rpm	293
20.3	BC GEAR REDUCER - 1140 rpm	299
20.4	BC GEAR REDUCER - 900 rpm	305
20.5	BC GEAR REDUCER - 700 rpm	311
20.6	BC GEAR REDUCER - 500 rpm	317

21. INSTALLATION

21.1	INSTALLATION	324
------	--------------------	-----

22. SYMBOLS AND FORMULAS

22.1	SYMBOLS AND FORMULAS	327
22.1.1	Symbols	327
22.1.2	Formulas	328

23. SALES CONDITIONS

23.1	SALES CONDITIONS	329
------	------------------------	-----

Motovario® corporate philosophy aims to promote the company's brand and products at an international level with determination and transparency, while constantly striving to offer innovative solutions for satisfying and anticipating the demand of the market. Motovario® provides technologically advanced solutions in the transmission components field for industrial and civil applications worldwide.

The company

At Formigine, the heart of Modena's industrial district, Motovario® boasts a production plant spanning 50,000 m² that employs 500 people.

1965 Foundation of Motovario

1998 Acquisition of Spaggiari Trasmissioni, an important brand in the mechanical technology sector.

2006 Motovario acquisition by a private investment fund managed by Synergo SGR, in order to guarantee its development and support its expansion throughout the world.

2014 Acquisition of Pujol.

2015 Acquisition by TECO.

At the core of Motovario® lies an evolved production process based on technological solutions that convert power into movement. Motovario® is at the heart of the production processes that drive industries worldwide. Quality and reliability are the company's fundamental assets. Motovario® is present throughout the world with branches in France, Spain, Germany, England, China, the United States and India. The sales network and customer service guarantee immediate and high-quality support to all customers. In addition, the company boasts a worldwide network of MAC (Motovario Assembly Centre). Qualified assembly centres are present, in Italy, Australia, Benelux, Bulgaria, China, Finland, France, India, Ireland, Israel, Malaysia, Poland, Portugal, South Korea, Spain, Sweden, Turkey, United Kingdom, Ukraine and USA. The company is able to offer a wide range of products: speed variators, right-angle, helical-bevel, shaft-mounted, worm gear reducers and gearmotors, electric motors, inverter and inverter drives. Maximum quality and precision are ensured by the cutting-edge technologies implemented in the production process. 170 numerical control machines, served by LGV lines for storage in automatic warehouses, ensure a high standard of efficiency for the Motovario® production department.

The highly automated assembly lines are supported by a specific computerised system. The process statistical control system manages the production process to avoid rejects, by enabling the operator to monitor all the processing phases. The annealing, tempering, hardening and carburizing treatments are carried out inside the plant. The plant operates on a 24-hour basis, including holidays. Reliability, resilience and versatility are the distinctive features of Motovario® products, the most qualified solution to any power transmission requirement.

Main fields OF APPLICATIONS

- Mechanical-electromechanical industry (car washing, pumps, barriers & automatic doors, circuit breakers)
- Ceramic industry (ovens, press feeding systems)
- Food, farming, oenology industry
- Wood, marble, glass industry
- Packaging & bottling industry
- Textile, shoes, leather industry
- Transport, logistic industry
- Construction industry
- Milling, animal husbandry, flower industry
- Machine tools & steel industry
- Mining, quarry, cement industry
- Energy industry (solar, nuclear, biomass, wind)
- Amusement industry (theatres, leisure parks, kiddy rides)
- Chemical & pharmaceuticals industry
- Paper & printing industry
- Plastic & rubber industry
- Telecommunications industry (satellite orientation systems, military radar)
- Engineering and consultant companies

Certifications

Our products can be manufactured to conform with the ATEX Directive 2014/34/UE. In addition, the safety and quality of our motors, geared motors and motovariators is guaranteed by the EAC (EurAsian Conformity) certification, an essential requirement for products exported to the Russian Federation. Our motors are UL certified, which guarantees their safety and quality requirements for the North American market.

Quality CONCEPT

Motovario® has obtained the quality certification renewal of its production system in conformity to the UNI EN ISO 9001:2008 standard. This internationally recognised certification acknowledges the company's commitment and drive geared towards constantly improving products, projects and services offered. Moreover, the company has obtained the OHSAS 18001:1999 (Occupational Health and Safety Assessment Series) certification, which defines the requirements of the workplace safety and health management system.

Research & DEVELOPMENT

Technological innovation: a crucial factor for competing in the market. In the company's 50-year history, research and change have been the pivotal factors in guaranteeing competitiveness at a global level, thanks to increasingly advanced products in terms of performance and reliability. Each year the company invests an increasing amount of its turnover in research and development, geared towards promoting the constant study and analysis of products, control processes and performance certification. In order to ensure that customers receive products that comply with the requested performance levels, the company carries out simulations on all new products, including NVH (Noise, Vibration, Harshness) tests effected in the advanced semi-anechoic chamber.

Customer CARE

Innovative instruments and software applications supporting the technical and logistic requirements of our partners worldwide guarantee a timely and customised service. The experience acquired by Motovario® has led to the creation of the new online portal MyMotovario 4.0, which allows for selecting products and exporting their 3D file. As a result, designers and engineering departments can download the three-dimensional model of the requested product and implement it directly in their own layout. In order to maximise customer service and quality, Motovario® offers all its customers the following online services: Order Tracking, which allows for monitoring the progress of an order in real time, and the Stock Availability service, through which users may check the availability (stock) of our products, both in the Italian plant and in the various branches.

Motovario chooses technological evolution.

Motovario® has chosen technological evolution and actively collaborates with the Faculty of Engineering of the University of Modena and Reggio Emilia and of the University of Bologna.

Reliability, sturdiness, versatility

These are the distinctive traits of Motovario products. A broad range of transmission products that provide a competent, innovative solution to each and every power application need. Cutting-edge tools, unrelenting research efforts and ongoing commitment to upgrading manufacturing equipment to the latest state-of-the-art enable us to offer high quality and performance standards to cater to industry requirements and the broadest variety of applications. Motovario ranks among the leading, well-reputed companies in Italy engaged in the design, manufacture and sales of transmission products for industrial and civil applications. The entire manufacturing process takes place in Formigine and Ubersetto plants, in Modena area, with an overall surface area of over 50.000 sq m. and a workforce of about 500 people. 170 numerically controlled machines and cutting-edge handling, storage and assembly automated systems ensure that all products meet high quality standards. The network includes more than 40 Motovario-certified assembly centres, with the capability to supply products in a broad range of versions, including customised versions, high service capacity and fast response. As a result, our product offering can cater to the needs of all plant engineering sectors, in all industries and for different applications, and includes: speed variators, helical, bevel-helical, parallel helical, worm gear reducers and gearmotors, electric motors and motor-inverters. All of the products we manufacture share such common features as reliability, sturdiness and versatility, topped with a high innovation content. At the heart of a company's technological innovation is the ability to develop integrated tools for computer-aided calculation simulation and management of different processes as part of product development. When simulating operating, setup and process conditions, it is also necessary to analyse and optimize the overall functional design of a product using a synergistic approach. This is achieved by implementing an exhaustive experimental plan, without using interpolation or approximation, as they frequently allow criticalities or any oversizing which is not conducive to maximising quality/cost ratio to go unnoticed.

High-efficiency method for calculation according to standards

A set of specific functions have been developed to this end. A few significant examples include functions to:

- Optimise individual reduction ratios and the combinations of the different reduction stages based on parametrisable target normal series;
- Calculate torque values and maximum permissible external forces for gear reducer units, using iterative numeric algorithms to confirm target life/safety values of components;
- Create databases for loading a FEM structural analysis model by automatically writing all reaction components of bearings under all load conditions to a specific file, with automatic selection of critical cases that need to be verified.

Another goal of the method is to create synergy between calculation according to standards and FEM structural calculation and the implementation of FEM model loading procedures, so as to simplify input data, meshing and constraint criteria

Competitiveness and operational benefits of the new method

This method offers many practical advantages over traditional calculation procedures within the company, namely:

- Iterative optimisation of project since setup stage;
- Accurate assessment of the various service factors and reliability levels for the entire gear reducer unit and for all operating conditions as per catalogue rating or customer specific requirements;
- Faster support to customers in analysing tailored product configurations;
- Integrated corporate databases that can be updated in real-time;

Range extension and ongoing evolution

The steady, significant growth of Motovario Group is achieved thanks to an ongoing search for new calculation and design tools, as well as to customer service. The new tools identified have led to innovation, improved product reliability as well as positive developments in market management. The following software products are used for design, calculation and management:

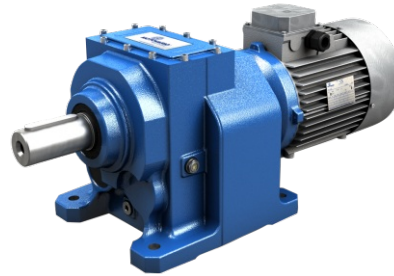
- Solidworks;
- Kisoft;
- Kissys;
- Ansys;
- FEM modelling analysis software;
- Circuit design and simulation software;
- Specific spreadsheets;
- SAP.

In MyMotovario 4.0 portal, PRODUCT SELECTION includes a section named APPLICATIONS where customers can enter application data and find out which gear reducer suits them best in a matter of minutes.

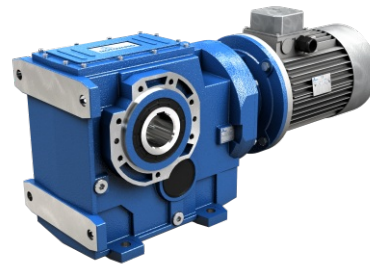
MOTOVARIO Products

HELICAL GEAR REDUCERS

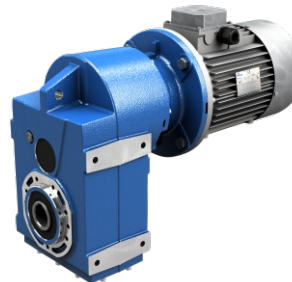
Cast iron or aluminum casing
 Output shaft up to 90 mm
 Mn₂ up to 8.600 Nm
 Reduction stages 1, 2, 3
 Ratios up to 354
 Atex units

**HELICAL BEVEL GEAR REDUCERS**

Cast iron or aluminum casing
 Output shaft up to 110 mm
 Mn₂ up to 14.000 Nm
 Reduction stages 2, 3
 Ratios up to 443
 Atex units

**SHAFT MOUNTED GEAR REDUCERS**

Cast iron
 Output shaft up to 90 mm
 Mn₂ up to 10.250 Nm
 Reduction stages 2, 3
 Ratios up to 395
 Atex units

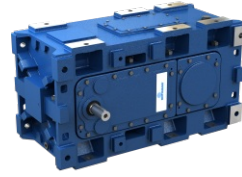
**WORM GEAR REDUCERS**

Cast iron or aluminum casing
 Output shaft up to 50 mm
 Mn₂ up to 2.700 Nm
 Ratios up to 1083
 Atex units



**PARALLEL HELICAL AND
BEVEL HELICAL GEAR REDUCERS
FOR HEAVY INDUSTRY**

Cast iron casing
Output shaft up to 220 mm
Mn₂ up to 113.000 Nm
Reduction stages 1, 2, 3, 4
Ratios up to 636

**MOTOVARIATORS AND
MOTOVARIATOR-GEAR REDUCERS**

Cast iron or aluminum casing
Ratios infinite
Mn₂ up to 5.000 Nm
Atex units



<p>ELECTRIC MOTORS</p> <p>Power ratings up to 90 kW Poles 2, 4, 6 Three-phase and single-phase, built-in brake, dual polarity Protection class up to IP66</p>		
<p>DRIVES</p>	<p>DRIVON - motoinverter</p> <p>Three phase and single phase power supply High dynamics sensorless vectorial control Power ratings up to 5,5 kW Standard integrated STO Integrated field bus Optional field bus</p>	
	<p>LM16 - EM16 - AM16 - inverter</p> <p>Compact, standard and premium/servo drive Protection class IP20 - IP66 Torque and speed regulation PLC integrated functions</p>	

MAIN FEATURES OF THE PBZ-PBH-PBC SERIES

The gear reducers of the PBH-PBZ-PBC series are built according to the best design techniques and offer:

- Sturdiness and reliability;
- Low vibration and low noise;
- High torque ratings;
- High efficiency;
- Universal mounting: suitable for horizontal or vertical mounting;
- Broad customization with extensive range of catalogue options;
- Rigid cast-iron casing with large lubricant capacity for enhanced heat capacity;
- Split casing for low maintenance, or monobloc;
- Output shaft: solid (as standard), hollow, hollow with shrink disc, splined (hollow or solid), double-ended solid;
- Also available with double-ended input shaft;
- IEC-normalised motor adapter, also available with NEMA adapter;
- High overhung ratings both at input and output shaft ends;
- Reliable, proven high performance;
- Accurately ground helical spur gears;
- Ground or accurately run-in Gleason bevel gear.

EFFICIENCY η Table

PARALLEL HELICAL			
PIH-P1C	P2Z-P2H-P2C	P3Z-P3H-P3C	P4Z-P4H-P4C
0,98	0,96	0,94	0,92

BEVEL-HELICAL		
B2H-B2C	B3Z-B3H-B3C	B4Z-B4H-B4C
0,95	0,93	0,91

FRAME SIZES AND GEARING OF THE PBZ SERIES

- Available frame sizes: 179, 199, 219, 249, 269, 279, 319, 349, 399, 409;
- Gearing: 2, 3 and 4 stages for parallel helical gear reducers; 3 and 4 stages for bevel-helical gear reducers.

FRAME SIZES AND GEARING OF THE PBH SERIES

- Available frame sizes: 180, 200, 225, 250, 280, 355;
- Gearing: 1, 2, 3 and 4 stages for parallel helical gear reducers; 2, 3 and 4 stages for bevel-helical gear reducers.

FRAME SIZES AND GEARING OF THE PBC SERIES

- Available frame sizes: 176, 196, 216, 246, 266, 276, 316, 346, 396, 406;
- Gearing: 1, 2, 3 and 4 stages for parallel helical gear reducers; 2, 3 and 4 stages for bevel-helical gear reducers.

MATERIALS (CASING / GEARS AND SHAFTS) OF THE PBZ SERIES

- Casing: EN-GJS400-15 UNI EN 1563 spheroidal cast-iron;
- Gears: hardened and case-hardened 21NiCrMo2 steel;
- Solid output shaft: hardened and tempered 42CrMo2 or C45 steel;
- Hollow output shaft: hardened and tempered 42CrMo2 or C45 steel.

MATERIALS (CASING / GEARS AND SHAFTS) OF THE PBH AND PBC SERIES

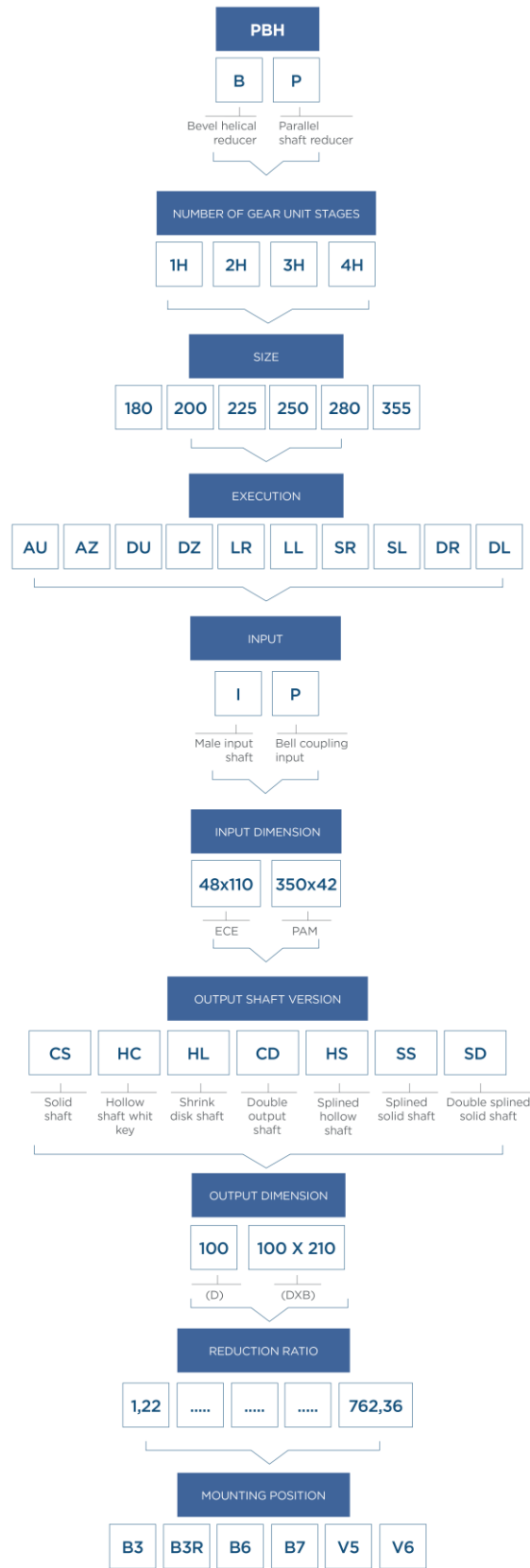
- Casing: GJL200 UNI EN 1561 cast-iron;
- Gears: hardened and case-hardened 17CrNiMo6-4, 25CrMo4 and 20MnCr5 steel;
- Solid output shaft: hardened and tempered 42CrMo4 steel;
- Hollow output shaft: hardened and tempered 20MnV6 steel.

PAINT COATING

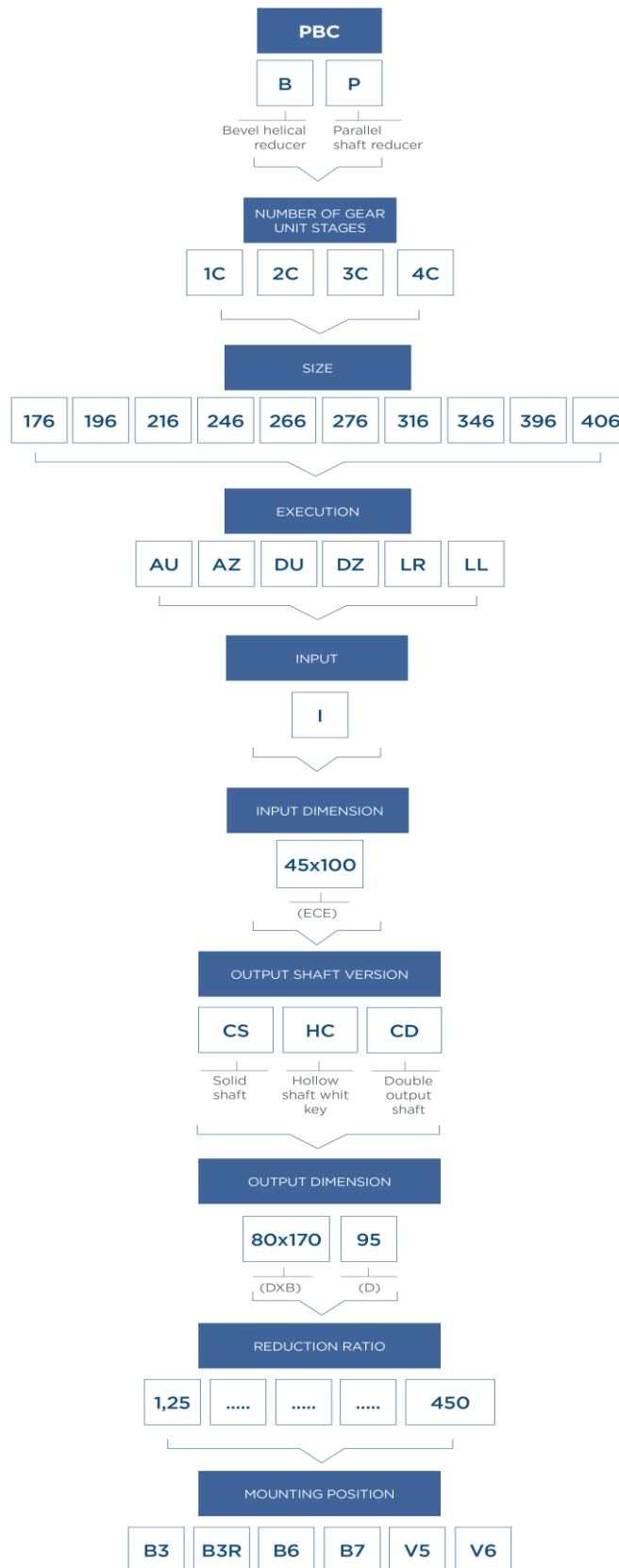
- Outer protection with two-component water-based paint, minimum coat thickness 80 microns. RAL 5010 blue textured finish

2.2.1 Designation

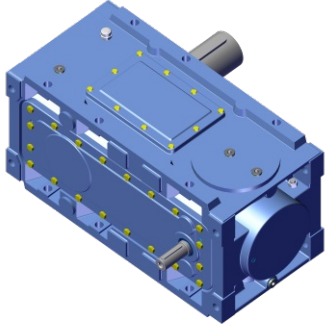
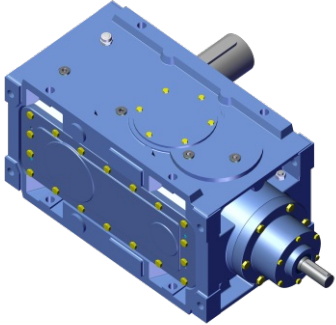
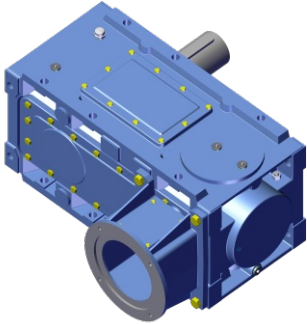
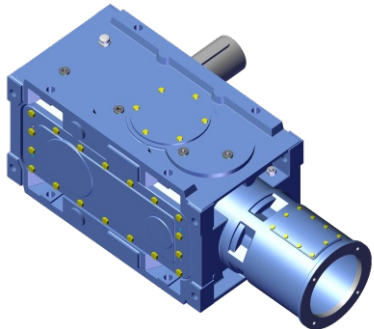




2.2 TYPOLOGY



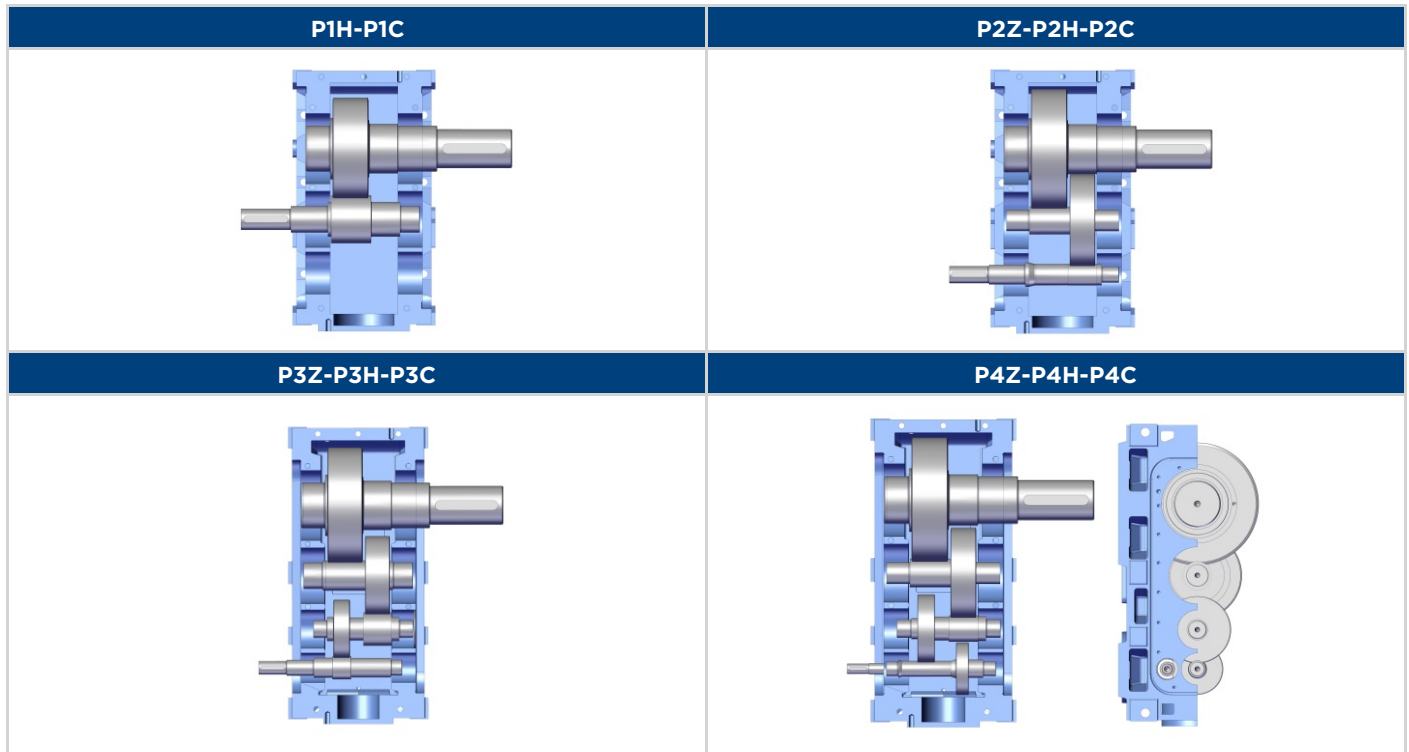
2.2.2 Versions

	Parallel Helical gear reducers	Bevel Helical gear reducers
Solid-shaft input PBZ-PBH-PBC		
Bell-housing input with coupling PBZ-PBH		

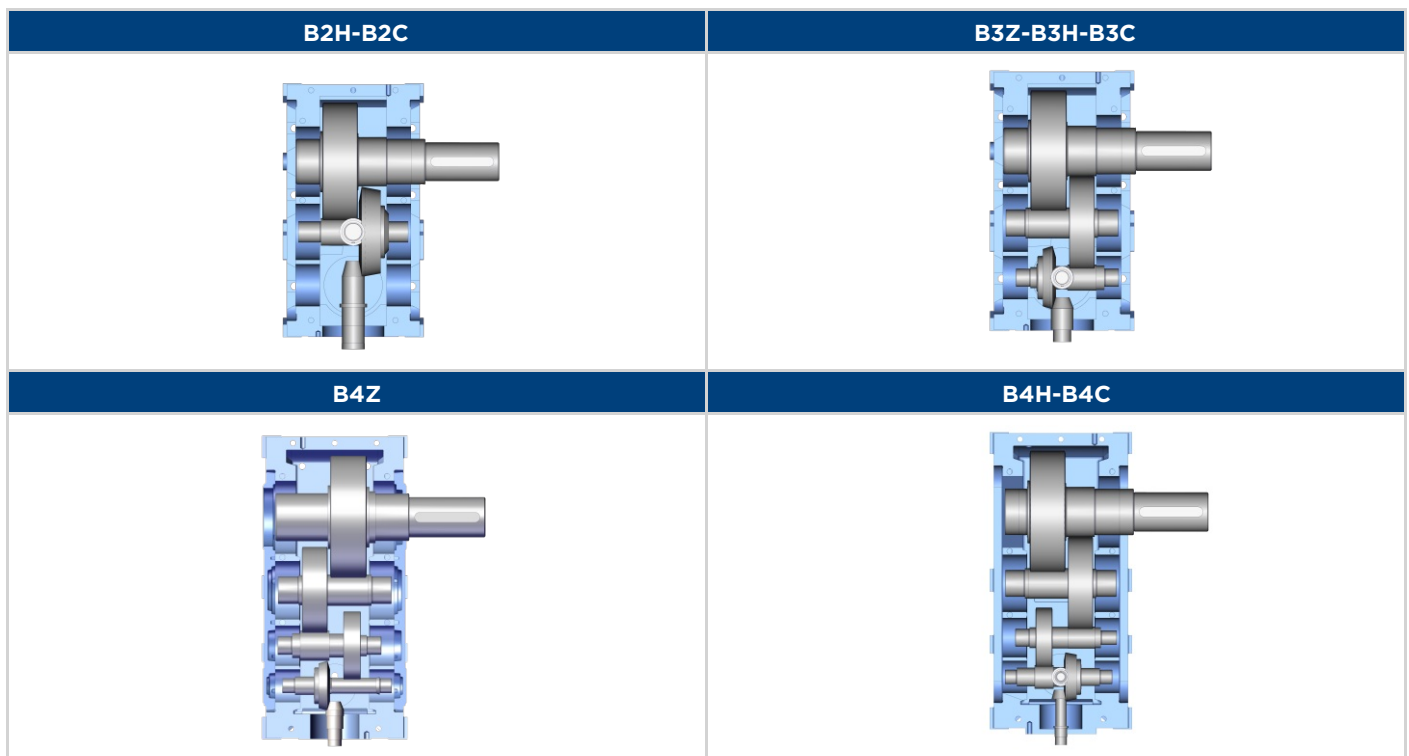
2.2 TYPOLOGY

2.2.3 Gear train

Parallel helical gear reducers



Bevel helical gear reducers



2.2.4 Available motor mounting flanges

The tables show available coupling configurations and the matching motors.

To determine the compatibility of a geared unit in terms of mechanical factors, double check the selected configuration against the rating charts performance.

For brake motors with frame sizes greater than IEC 180, please contact MOTOVARIO TECHNICAL SERVICE.

PZ	MOT. IEC							
	132	160	180	200	225	250	280	315
179	-	-	P2Z	P2Z	P2Z	P2Z	-	-
	P3Z	P3Z	P3Z	P3Z	P3Z	P3Z		
199	-	-	P2Z	P2Z	P2Z	P2Z	-	-
	P3Z	P3Z	P3Z	P3Z	P3Z	P3Z		
219	-	-	-	-	P2Z	P2Z	P2Z	P2Z
	-	P3Z	P3Z	P3Z	P3Z	P3Z	-	-
	P4Z	P4Z	P4Z	-	-	-	-	-
249	-	-	-	-	P2Z	P2Z	P2Z	P2Z
	-	P3Z	P3Z	P3Z	P3Z	P3Z	-	-
	P4Z	P4Z	P4Z	-	-	-	-	-
269	-	-	-	-	-	-	P2Z	P2Z
	-	-	P3Z	P3Z	P3Z	P3Z	P3Z	P3Z
	P4Z	P4Z	P4Z	P4Z	P4Z	-	-	-
279	-	-	-	-	-	-	P2Z	P2Z
	-	-	P3Z	P3Z	P3Z	P3Z	P3Z	P3Z
	P4Z	P4Z	P4Z	P4Z	P4Z	-	-	-
319	-	-	-	-	-	-	-	P2Z
	-	-	-	-	P3Z	P3Z	P3Z	P3Z
	-	P4Z	P4Z	P4Z	P4Z	P4Z	-	-
349	-	-	-	-	-	-	-	P2Z
	-	-	-	-	P3Z	P3Z	P3Z	P3Z
	-	P4Z	P4Z	P4Z	P4Z	P4Z	-	-

BZ	MOT. IEC							
	132	160	180	200	225	250	280	315
179	B3Z	B3Z	B3Z	B3Z	B3Z	B3Z	-	-
199	B3Z	B3Z	B3Z	B3Z	B3Z	B3Z	-	-
219	-	B3Z	B3Z	B3Z	B3Z	B3Z	-	-
	B4Z	B4Z	B4Z	-	-	-		
249	-	B3Z	B3Z	B3Z	B3Z	B3Z	-	-
	B4Z	B4Z	B4Z	-	-	-		
269	-	-	B3Z	B3Z	B3Z	B3Z	B3Z	B3Z
	B4Z	B4Z	B4Z	B4Z	B4Z	-	-	-
279	-	-	B3Z	B3Z	B3Z	B3Z	B3Z	B3Z
	B4Z	B4Z	B4Z	B4Z	B4Z	-	-	-
319	-	-	-	-	B3Z	B3Z	B3Z	B3Z
	-	B4Z	B4Z	B4Z	B4Z	B4Z	-	-
349	-	-	-	-	B3Z	B3Z	B3Z	B3Z
	-	B4Z	B4Z	B4Z	B4Z	B4Z	-	-

2.2 TYPOLOGY

PH	MOT. IEC							
	100-112	132	160	180	200	225	250-280	315
180	P3H	P3H	P3H	P2H	P2H	P2H	P2H	-
	P4H	P4H		P3H	P3H			
200	P4H	P3H	P3H	P3H	P2H	P2H	P2H	-
		P4H	P4H	P4H	P3H			
225	-	P4H	P3H	P3H	P3H	P2H	P2H	-
			P4H	P4H		P3H		
250	-	P4H	P3H	P3H	P3H	P3H	P2H	P2H
			P4H	P4H			P4H	
280	-	P4H	P3H	P3H	P3H	P3H	P2H	P2H
			P4H	P4H			P4H	
355	-	-	P4H	P4H	P4H	P3H	P3H	P2H
						P4H		

BH	MOT. IEC							
	100-112	132	160	180	200	225	250-280	315
180	B3H	B3H	B2H	B2H	B2H	B2H	B2H	-
	B4H	B4H	B3H	B3H	B3H			
200	B4H	B3H	B3H	B3H	B2H	B2H	B2H	B2H
		B4H	B4H	B4H	B3H			
225	B4H	B4H	B3H	B3H	B2H	B2H	B2H	B2H
			B4H	B4H	B3H			
250	-	B4H	B3H	B3H	B3H	B2H	B2H	B2H
			B4H	B4H	B4H			
280	-	B4H	B3H	B3H	B3H	B3H	B2H	B2H
			B4H	B4H	B4H			
355	-	-	B4H	B4H	B4H	B3H	B3H	B2H
						B4H		

2.2.5 Range

The values shown have been calculated at 1400 rpm.

PZ	Mn ₂ [Nm]	i	
	Max	Min	Max
179	9000	6	86
199	11000	8	107
219	19000	6	318
249	24000	8	403
269	29000	6	339
279	36000	8	419
319	55000	6	314
349	70000	8	404
399	90000	6	319
409	110000	8	386

BZ	Mn ₂ [Nm]	i	
	Max	Min	Max
179	9000	13	69
199	11000	16	86
219	19000	12	323
249	24000	15	410
269	29000	12	348
279	36000	15	431
319	55000	12	320
349	70000	16	412
399	90000	12	327
409	110000	15	395

2.2 TYPOLOGY

PH	Mn ₂ [Nm]	i	
	Max	Min	Max
180	13000	2,04	604,77
200	18300	1,95	600,10
225	28000	1,96	627,06
250	35200	2,04	635,69
280	49500	1,96	625,43
355	91300	1,95	626,60

BH	Mn ₂ [Nm]	i	
	Max	Min	Max
180	13000	5,27	592,67
200	18200	5,44	632,08
225	27900	5,41	634,03
250	35200	5,44	632,71
280	46500	5,41	622,50
355	80000	5,52	604,00

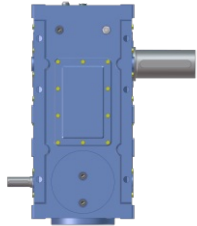
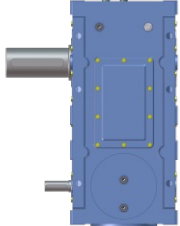
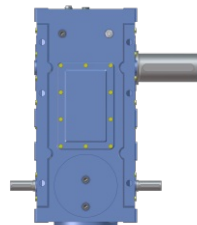
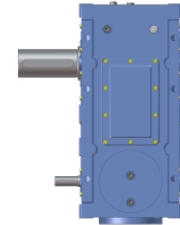
2.2 TYPOLOGY

PC	Mn ₂ [Nm]	i	
	Max	Min	Max
176	9280	1,25	90
196	12400	8	112
216	17360	1,25	355
246	21760	8	450
266	28560	1,25	355
276	35040	8	450
316	50800	1,6	355
346	61760	8	450
396	70400	1,6	355
406	87200	8	450

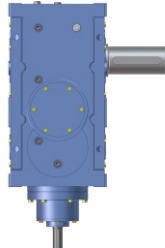
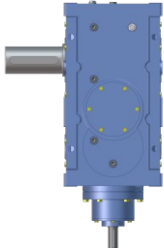
BC	Mn ₂ [Nm]	i	
	Max	Min	Max
176	9280	5	315
196	12400	6,3	400
216	17360	5	315
246	22160	6,3	400
266	28560	5	315
276	35040	6,3	400
316	50800	5	315
346	61760	6,3	400
396	72560	5	315
406	90400	6,3	400

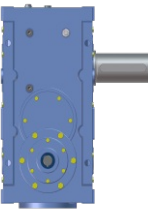
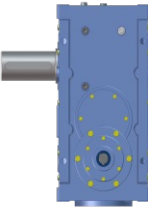
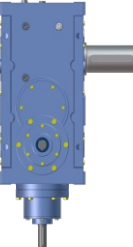
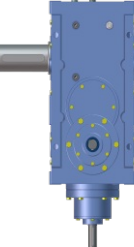
2.3.1 Executions

Parallel helical gear reducers

PBZ-PBH-PBC	
AZ	AU
	
DZ	DU
	

Bevel helical gear reducers

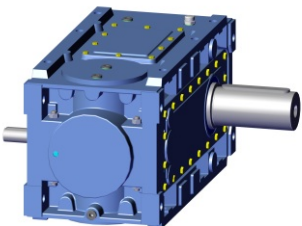
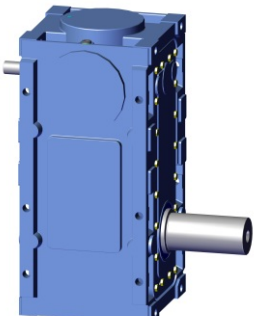
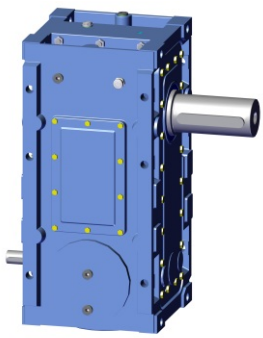
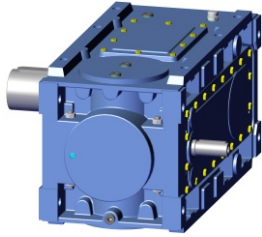
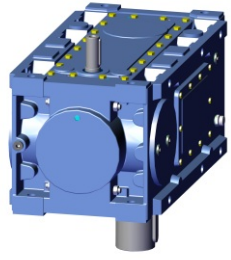
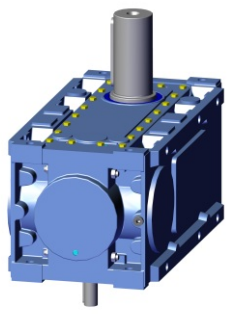
PBZ-PBH-PBC	
LR	LL
	

PBH			
SR	SL	DR	DL
			

2.3.2 Mounting positions

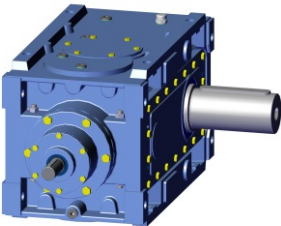
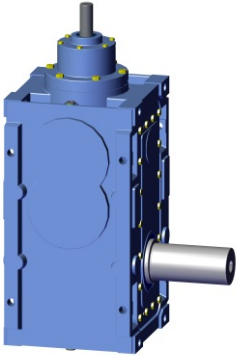
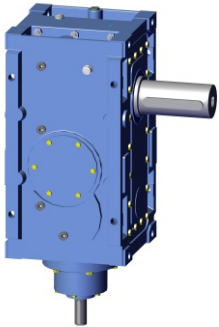
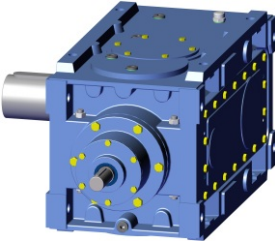
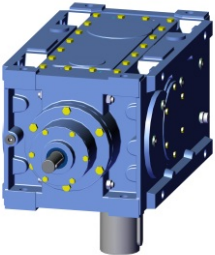
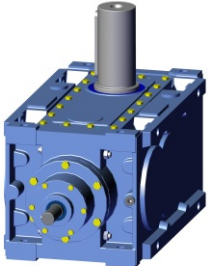
The mounting position denotes the orientation of a gear reducer. Due to technical considerations, mounting position B3 should be preferred whenever possible, as it ensure less oil splashing, improved lubrication and less heating. Unless otherwise indicated, gear reducers are supplied for the B3 mounting position.

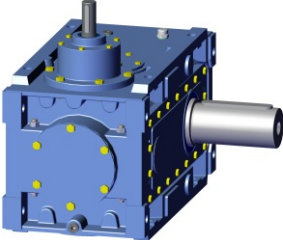
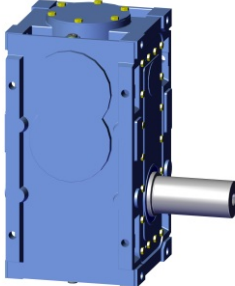
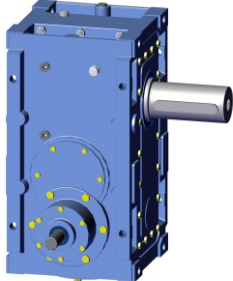
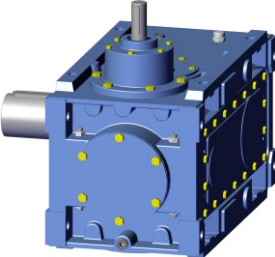
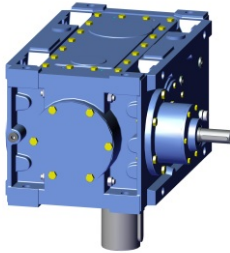
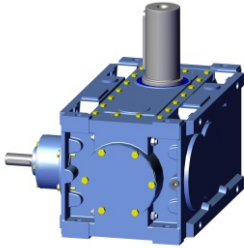
Parallel helical gear reducers

		PBZ-PBH-PBC		
		B3	B6	B7
AZ				
		B3R	V5	V6
				

2.3 MOUNTING POSITIONS

Bevel helical gear reducers

		PBZ-PBH-PBC		
		B3	B6	B7
LR				
				

		PBH		
		B3	B6	B7
SR				
				

Follow this procedure to select your gear reducer properly:

1. Calculate reduction ratio $i = n_1 / n_2$
2. Calculate output shaft torque $M_2 = P_1 * 9550 * \eta / n_2$ [Nm]
3. Determine the service factor f_s required by the application according to:
 - Type of load (uniform, moderate, heavy)
 - Daily hours of operation
 - Number of starts per hour
 - Type of motor installed.
 Please refer to the tables: Table Application classification, Table f_{sa} , Table f_{sb} and Table f_{sc}
4. Determine the required performance of the gear reducer $Mn_2 = M_2 * f_s$ [Nm]
5. Select gear reducer frame size, gearing and reduction ratio according to Mn_2 , n_2 and n_1 .

Service factor

The service factor required by application is defined by this formula $f_s = f_{sa} * f_{sb} * f_{sc}$ (see relevant tables).

It takes into account how heavy-duty the application is; it depends on operating conditions, inverter type and frequency of gear reducer starts. The service factor of a gear reducer is calculated by dividing its nominal power by current input. The parameters that need to be taken into account in order to select the most suitable service factor are reported in tables f_{sa} , f_{sb} and f_{sc} .

Verifications

- a. Verify thermal capacity and ensure that the thermal capacity of the gear reducer under actual operating conditions is higher than the installed power at input shaft. See tables P_{th} (nominal thermal capacity), P_{ta} (additional thermal capacity) and F_{mp} (factor mounting position).
- b. When overloading occurs due to starts under full load, braking, high inertia loads, check that instantaneous peak loading
 (M_{2max}) is $M_{2max} \leq 1,8 * Mn_2$
 Note: instantaneous peak loading is an overload event lasting no more than 10 seconds.
- c. For radial and thrust loading on input and output shaft, please see the relevant tables.
- d. For input speeds higher than $n_1 = 1750$ rpm, please contact MOTOVARIO TECHNICAL SERVICE.

Table APPLICATION CLASSIFICATION

Application	Type of load
CONVEYORS (for heavy, not uniform loads)	
Scraper	Moderate
Belt	Moderate
Bucket	Moderate
Elevators (Redler)	Moderate
Roller	Moderate
For furnaces	Moderate
Reciprocating	Heavy
Oscillating	Heavy
Screw	Heavy

Application	Type of load
PUMPS	
Centrifugal	Moderate
Rotary (gear and screw) (for heavy, not uniform loads)	Uniform
Rotary (gear and screw) (variable density)	Moderate
Reciprocating	Uniform
Reciprocating double-acting multiple-cylinder	Moderate
Reciprocating single-cylinder	Heavy

Application	Type of load
MILLS	
Rotary ball	Heavy
Hammer	Heavy
Rolling	Heavy
Cement	Moderate

Application	Type of load
COMPRESSORS	
Centrifugal	Uniform
Sliding-vane positive-displacement	Moderate
Reciprocating multiple-cylinder	Moderate
Reciprocating single-cylinder	Heavy

Application	Type of load
BATCHERS	
Rotary	Moderate
Reciprocating, vibrating	Moderate

Application	Type of load
TEXTILE INDUSTRY	
Washing machines	Moderate
Rotary presses	Moderate
Carding machines	Moderate
Dyeing machines	Moderate
Looms	Moderate
Picking machines	Moderate
Spinning machines	Moderate

Application	Type of load
PAPER INDUSTRY	
Mixers (stirrers)	Moderate
Conveyor belts	Moderate
Drying cylinders	Moderate
Felt stretchers	Moderate
Rotary presses	Heavy
Presses	Heavy
Winders	Heavy

Application	Type of load
FOOD INDUSTRY	
Mixers	Moderate
Kneading machines	Moderate
Sugar beet cutters	Moderate
Meat grinders	Moderate

Application	Type of load
RUBBER AND PLASTIC MACHINES	
Mixers (palletizers)	Heavy
Rotary presses	Heavy
Mills (crushers)	Heavy
Tyre machines	Moderate

Application	Type of load
STIRRERS	
Variable-density	Moderate
Variable-density with suspended solids	Moderate

Table APPLICATION CLASSIFICATION

Application	Type of load
MACHINE TOOLS	
Punching presses	Heavy
Cutting	Heavy
Planers	Heavy
Main drives	Moderate
Auxiliary drives (feeders, workpieces, conveyor)	Uniform

Application	Type of load
FANS (regular, balanced speed)	
Centrifugal	Uniform
Lightweight, small-diameter	Uniform
Cooling towers	Moderate
Large-diameter turbo fans (mining)	Moderate

Application	Type of load
CRANES AND STACKER CRANES	
Arm rotation	Uniform
Sideshifter	Moderate
Basket drive control	Heavy

Application	Type of load
CRUSHERS	
Ore	Moderate
Stone	Moderate

Application	Type of load
PACKAGING MACHINES	Uniform

Application	Type of load
EXTRACTORS AND DREDGERS	
Rope winders	Moderate
Rail-mounted conveyors	Moderate
Pumps	Moderate
Stackers	Moderate
Material hoisting	Moderate
Bucket extractors	Heavy

Application	Type of load
METAL-WORKING	
Drawbenches	Heavy
Forging presses	Heavy
Cutting machines	Heavy
Rolling mills	Heavy

Application	Type of load
MIXERS	
Steady-density	Uniform
Variable-density	Moderate
For concrete	Moderate

Application	Type of load
ELEVATORS	
Hoists	Moderate
Lifts, ski lifts (cableways)	Heavy

Application	Type of load
WASHING MACHINES AND PUMPS	Moderate

Table f_{5a}

Nature of load applied	Daily operating hours [h/d]				
	2	4	8	16	24
Uniform	0,80	0,90	1,00	1,25	1,35
Moderate	1,00	1,15	1,25	1,50	1,75
Heavy	1,25	1,50	1,75	2,00	2,25

Table f_{5b}

Nature of load applied	Frequency of starts per hour [st/h]			
	< 8	8 ... 32	32 ... 64	64 ... 128
Uniform	1	1,25	1,35	1,5
Moderate	1	1,15	1,25	1,35
Heavy	1	1,05	1,15	1,25

Table f_{5c}

Type of motor used	f _{5c}
Electric motor	1,00
Reciprocating multiple-cylinder motor	1,25
Reciprocating single-cylinder motor	1,50

2.5.1 Information

Proper lubrication makes for:

- Lower friction;
- Less heating;
- Increased efficiency;
- Lower oil temperature;
- Less wear.

Motovario gear reducers of the MHD series have been designed for oil bath lubrication. For mounting position V5/V6 and with vertical input shaft, pressure-fed lubrication must be provided using a mechanical pump (external, driven directly by input or intermediate shaft) or a motor pump (external, driven by electric motor), see chapter DEVICES. Unless expressly requested, gear reducers are supplied dry, (to request oil supply, see table LUBRICANTS RECOMMENDED BY MOTOVARIO). In case of unavailability, please contact MOTOVARIO TECHNICAL SERVICE. To extend lubrication intervals and ambient temperature range, or reduce oil temperature, we recommend using **polyglycol or polyalphaolefin-based synthetic oil**. Choose the most appropriate oil depending on operating conditions:

- For light, intermittent duty without significant temperature fluctuations, use **mineral oil**;
- For heavy, continuous duty with significant temperature fluctuations, use **polyalphaolefin or polyglycol-based synthetic oil** depending on the application. **Polyglycol-based synthetic oils** mix with water and are not compatible with other oils, as their lubricating properties degrade very quickly. Use them with great care.

2.5.2 Lubricants

Specifications of LUBRICANTS RECOMMENDED BY MOTOVARIO

	Mineral oil	Polyalphaolefin synthetic oil (PAO)	Polyglycol synthetic oil (PG)
ENI	BLASIA	BLASIA SX	BLASIA S
SHELL	OMALA S2 G	OMALA HD	OMALA S4 WE
KLUBER	Kluberoil GEM 1-N	Klubersynth EG 4	Klubersynth GH 6
MOBIL	MOBILGEAR 600 XP	SHC	GLYGOYLE HE
CASTROL	ALPHA SP	TRIBOL 1510	ALPHASYN PG
BP	ENERGOL GR-XP	ENERSYN EPX	ENERSYN SG-XP
ESSO	SPARTAN EP	SPARTAN S-EP	GLYCOLUBE
TOTAL	CARTER EP	CARTER SH	CARTER SY

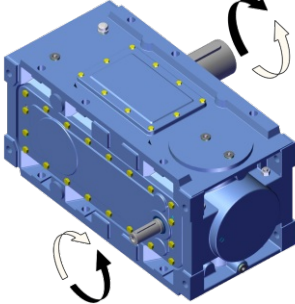
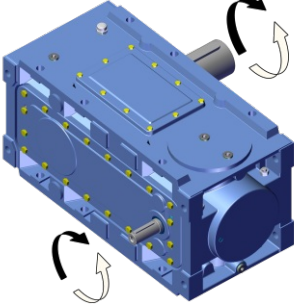
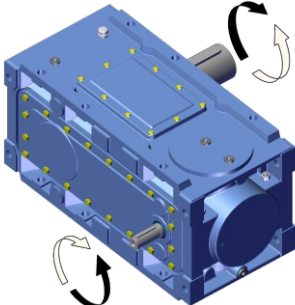
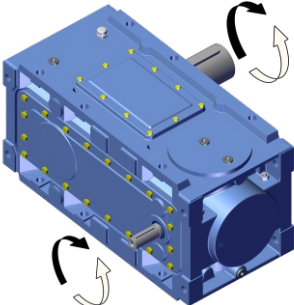
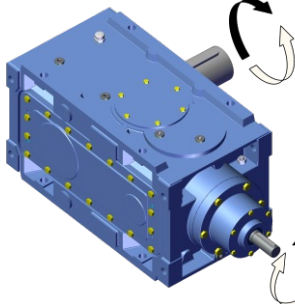
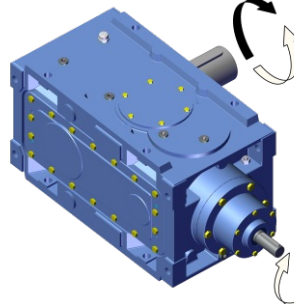
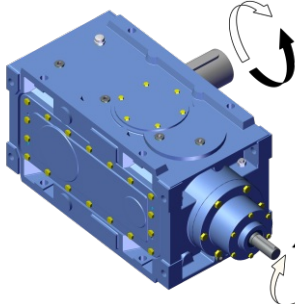
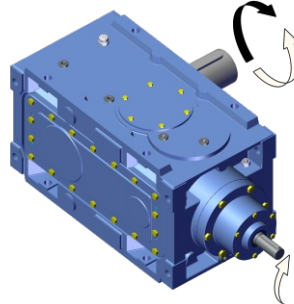
Based on the output speed n_2 , check the oil type to be used in table ISO VISCOSITY GRADES, that provides the average kinematic speed value [cSt] at 40 °C.

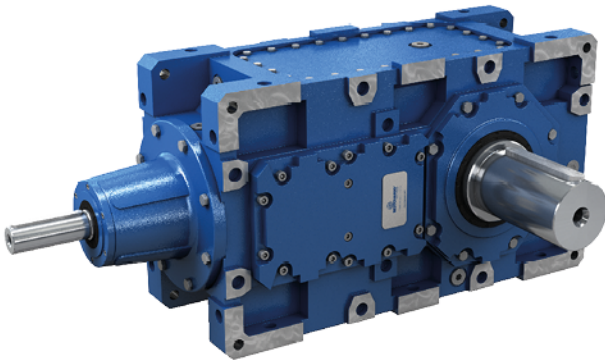
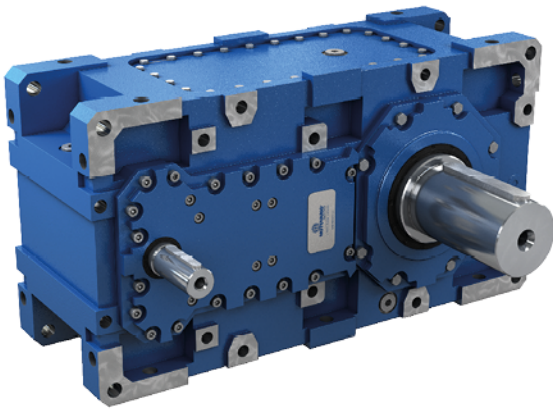
Table ISO VISCOSITY GRADES

n_2 (rpm)	T_{amb} °C	
	Mineral oil	Synthetic oil
	(0) ÷ (+40)	(-10) ÷ (+50)
> 210	150	150
210 ÷ 20	150	220
20 ÷ 5	220	320
<5	320	460

2.6 DIRECTION OF ROTATION

Gear reducers are supplied as “standard” with rotation as shown in the diagram.

AZ	P1H-P1C	P2Z-P2H-P2C
		
	P3Z-P3H-P3C	P4Z-P4H-P4C
		
LR	B2H-B2C	B3Z-B3H-B3C
		
	B4Z	B4H-B4C
		



PBZ

4.1.1 Information

Nominal thermal capacity P_{th} is the maximum mechanical power that a gear reducer can transmit (under continuous duty) without its internal temperature rising to such a degree as to damage gear reducer components. Thermal capacity may be increased by using seals made from special rubber and synthetic oil, or suitable cooling devices. In the event of short duty cycles followed by periods of rest long enough to allow for gear reducer to cool down appropriately, thermal capacity loses significance and may be disregarded.

The scheme below indicates the nominal thermal power capacity [kW] according to the following conditions:

- Mounting position B3;
- Continuous operation at input speed ≤ 1500 rpm;
- Environment temperature $T_{amb}=20^{\circ}\text{C}$;
- Sea level altitude;
- Air speed around the gear reducer $\geq 1\text{m/s}$;
- Absence of external radial and/or axial loads;
- Lubricant oil up to 95°C (mineral oil) and 100°C (synthetic oil).

Table NOMINAL THERMAL CAPACITY P_{th}

Pth [kW]										
	PZ - BZ 179	PZ - BZ 199	PZ - BZ 219	PZ - BZ 249	PZ - BZ 269	PZ - BZ 279	PZ - BZ 319	PZ - BZ 349	PZ - BZ 399	PZ - BZ 409
P2Z	59	71	85	99	131	133	181	210	283	319
P3Z	41	44	63	72	91	94	136	155	208	225
P4Z	-	-	39	42	53	56	76	88	118	126
B3Z	35	37	47	62	78	84	108	135	189	212
B4Z	-	-	34	41	47	50	75	86	120	129

When a thermal capacity up to P_{th} is applied to the gear reducer under the reference conditions outlined above, the proper lubrication and operation of the gear reducer are guaranteed.

4.1.2 Verification

Verification of the application

The thermal limit of a gear reducer under real-life application conditions must be verified for each and every application using the following formula:

$P_1 < P_{th} * f_{ta} * f_{tb} * f_{tc} * f_{tn} * f_{ts} * f_{tv}$, where:

- P_1 = installed power [kW]
- P_{th} = thermal capacity under reference conditions [kW] (see table "Nominal thermal capacity");
- f_{ta} = sea-level elevation correction factor (see table);
- f_{tb} = cooling fan correction factor (see table);
- f_{ta} = ambient and operating temperature correction factor (see table);
- f_{tn} = input speed n_1 correction factor;
- f_{ts} = cooling coil correction factor (see table);
- f_{tv} = airflow speed correction factor around the gear reducer (see table).

Correction factors reflect operating conditions other than the reference conditions and are obtained from the following ISO14179 tables:

Table
Correction factor f_{ta}

Altitude [m]	f_{ta}
0	1
750	0,95
1500	0,9
2250	0,85
3000	0,81

Table
Correction factor f_{tb}

	n_1 [rpm]	f_{tb}
PZ	1400	1,8
BZ	1400	2

Table
Correction factor f_{tc}

	f_{tc}	Duty per hour of operation %				
		100	80	60	40	20
Ambient temperature °C	10	1,15	1,25	1,35	1,5	2
	20	1	1,05	1,15	1,35	1,75
	30	0,9	1	1,05	1,25	1,5
	40	0,75	0,8	0,9	1	1,35
	50	0,6	0,63	0,7	0,8	1

Table
Correction factor f_{tn}

	f_{tn}	n_1 [rpm]				
		700	900	1140	1400	1800
P2Z	1,1	1,07	1,05	1	0,9	
P3Z - P4Z - B3Z - B4Z	1,07	1,05	1,05	1	0,95	

Table
Correction factor f_{ts}

	f_{ts}
PBZ	2,25

Table
Correction factor f_{tv}

Ventilation correction factor	f_{tv}
Stagnant air (<0,5 m/s)	0,75
Indoor installation with slight ventilation	1
Indoor installation with good ventilation (>1,4 m/s)	1,4

If unit is to operate at input speeds higher than 1800 rpm, or at ambient temperatures exceeding 40 °C, please contact MOTOVARIO TECHNICAL SERVICE.

Cooling unit

They are auxiliary cooling systems to be used if fan and coil are not enough to carry out the thermal check.

They are heat exchanges (oil/air and oil/water) consisting of motor pump (screw or gear pump, connected to motor through a joint), motor fan (for oil/air), pressure gauge and thermometer.

The following accessories are available upon request:

- Pressure switch;
- PT100 oil temperature sensor for heat exchanger control.

Heat exchanger must be sized according to the following formula:

$Pe = (P1 - Pt) * (1 - \eta) * 1.18$ where:

Pe= thermal exchange capacity [kW]

P1= gear reducer input installed power [kW]

Pt= nominal thermal power [kW]

η = gear reducer efficiency

For ambient temperature values above 20°C and water temperatures other than 30°C, contact MOTOVARIO TECHNICAL SERVICE.

WATER - OIL

MV	thermal exchange capacity Pe [kW] at 30°C	Oil flow rate [l/min]	motor power [kW]	water flow rate [l/min]
O/W 1	1.5	5.6	0.25	2.2
O/W 2	3	5.6	0.25	5.6
O/W 3	5	11.5	0.37	7.2
O/W 4	10	22.4	1.1	14
O/W 5	20	46.2	1.5	29
O/W 6	30	72.8	2.2	43
O/W 7	45	98	3	65

AIR - OIL

MV	thermal exchange capacity Pe [kW] at 20°C	oil flow rate [l/min]	motor power [kW]
O/A 1	6	62	1.5
O/A 2	10	62	1.5
O/A 3	15	98	2.2
O/A 4	20	98	3
O/A 5	30	98	3

The value of maximum input speed $n_1 \text{ max}$ shown in the table reflects continuous duty S1 (operation under steady loading for a period long enough to achieve thermal balance) and the B3 mounting position.

Continuous speeds above 1800 rpm are nevertheless not recommended since they could cause overheating and early deterioration of seals, bearings and lubricant.

Mounting positions other than B3 could make it necessary to use dedicated forced lubrication systems, while the transmission ratio could in some cases originate a further limitation of the permissible maximum input speed $n_1 \text{ max}$, contact MOTOVARIO TECHNICAL SERVICE.

For intermittent duty, please contact MOTOVARIO TECHNICAL SERVICE.

Table MAXIMUM PERMISSIBLE INPUT SPEED $n_1 \text{ max}$

$n_1 \text{ max}$ [rpm]					
PZ - BZ	P2Z	P3Z	P4Z	B3Z	B4Z
179	2800	2800	-	2800	-
199	2800	2800	-	2400	-
219	2800	2800	2800	2400	2800
249	2400	2800	2800	2240	2800
269	2240	2800	2800	2240	2800
279	2240	2800	2800	2000	2800
319	1800	2400	2800	2000	2400
349	1800	2400	2800	1800	2400
399	1800	2000	2400	1800	2240
409	1400	1800	2400	1400	2000

For the gear reducers of the PBZ series, it is always necessary to specify the mounting position.

The amount of oil in the table are merely indicative only and for the proper topping up you will have to refer to the level plug or the dipstick, if any. Any deviations in level can depend on construction tolerances but also by the placement of the unit or by the mounting surface at the customers' premises. For this reason it is appropriate that the customer checks and, if necessary, restores the level when the unit are installed.

Table OIL CAPACITIES IN LITRES ~ [l]

	P2Z									
	179	199	219	249	269	279	319	349	399	409
B3	15	19	31	37	48	61	83	122	150	180
B3R	15	19	31	37	48	61	83	122	150	180
B6	20	25	40	48	62	79	108	150	190	234
B7	18	23	37	44	58	73	100	145	180	215
V5	16	20	34	41	53	67	91	134	165	198
V6	17	21	36	43	56	70	96	140	173	208

	P3Z									
	179	199	219	249	269	279	319	349	399	409
B3	16	21	35	40	53	65	90	128	162	190
B3R	16	21	35	40	53	65	90	128	162	190
B6	21	27	46	52	67	87	115	165	205	245
B7	19	25	42	48	63	78	108	150	190	225
V5	17	23	38	44	58	70	100	141	178	209
V6	18	24	40	46	61	74	104	148	187	219

	P4Z							
	219	249	269	279	319	349	399	409
B3	35	40	53	65	90	128	162	190
B3R	35	40	53	65	90	128	162	190
B6	46	52	67	87	115	165	205	245
B7	42	48	63	78	108	150	190	225
V5	38	44	58	70	100	141	178	209
V6	40	46	61	74	104	148	187	219

	B3Z									
	179	199	219	249	269	279	319	349	399	409
B3	15	19	31	37	48	61	83	122	150	180
B3R	15	19	31	37	48	61	83	122	150	180
B6	20	25	40	48	62	79	108	150	190	234
B7	18	23	37	44	58	73	100	145	180	215
V5	16	20	34	41	53	67	91	134	165	198
V6	17	21	36	43	56	70	96	140	173	208

	B4Z							
	219	249	269	279	319	349	399	409
B3	35	40	53	65	90	128	162	190
B3R	35	40	53	65	90	128	162	190
B6	46	52	67	87	115	165	205	245
B7	42	48	63	78	108	150	190	225
V5	38	44	58	70	100	141	178	209
V6	40	46	61	74	104	148	187	219

4.4.1 Information

Permissible radial load [N] values are indicated in the following tables and refer to the load applied at shaft midpoint in the worst conditions, in terms of angle of application and direction of rotation. In the event of special conditions that exceed the ratings given in the catalogue, please contact MOTOVARIO TECHNICAL SERVICE and submit the full application data: direction of loading, direction of rotation of shaft, type of duty. For double-ended and hollow shafts, where radial loading is to be applied at both ends, maximum permissible loads must be determined according to specific operating conditions. When this is the case, please contact MOTOVARIO TECHNICAL SERVICE.

Shaft radial loading is calculated by the following formula: $Fr = (2000 * M * fz) / D \leq Fr1 \text{ or } Fr2$ where:

- **Fr** [N] Resultant radial load
- **M** [Nm] Shaft torque
- **D** [mm] Diameter of transmission element mounted on the shaft
- **Fr1-Fr2** [N] Maximum permissible radial loading (see relevant tables)
- **fz** = 1,1 Gear pinion
1,4 Chain wheel
1,4 Pulley for timing belt drive
2,5 V belt pulley

4.4.2 Input - Radial load

Fr1 [N] is the permissible radial load value from the gear reducer in continuous service, applied at the centre line of the shaft, considering input speed $n1 = 1400$ rpm.

For radial load application positions other than on the centre line, contact MOTOVARIO TECHNICAL SERVICE.

	PBZ	179	199	219	249	269	279	319 (1)	349 (2)	399 (3)	409 (4)
Fr1	P2Z	6000	6000	8000	8000	10000	10000	17000	17000	21000	21000
	P3Z	4700	4700	6100	6100	9000	9000	12000	12000	15000	15000
	P4Z	-	-	4000	4000	4900	4900	5900	5900	9100	9100
	B3Z	4700	4700	6100	6100	9000	9000	12000	12000	13000	13000
	B4Z	-	-	4000	4000	4900	4900	5900	5900	9100	9100

(1) In case of $i \leq 11,55$ and presence of radial load Fr1, contact MOTOVARIO TECHNICAL SERVICE.

(2) In case of $i \leq 14,85$ and presence of radial load Fr1, contact MOTOVARIO TECHNICAL SERVICE.

(3) In case of $i \leq 10,94$ and presence of radial load Fr1, contact MOTOVARIO TECHNICAL SERVICE.

(4) In case of $i \leq 13,24$ and presence of radial load Fr1, contact MOTOVARIO TECHNICAL SERVICE.

4.4.3 Output - Radial load

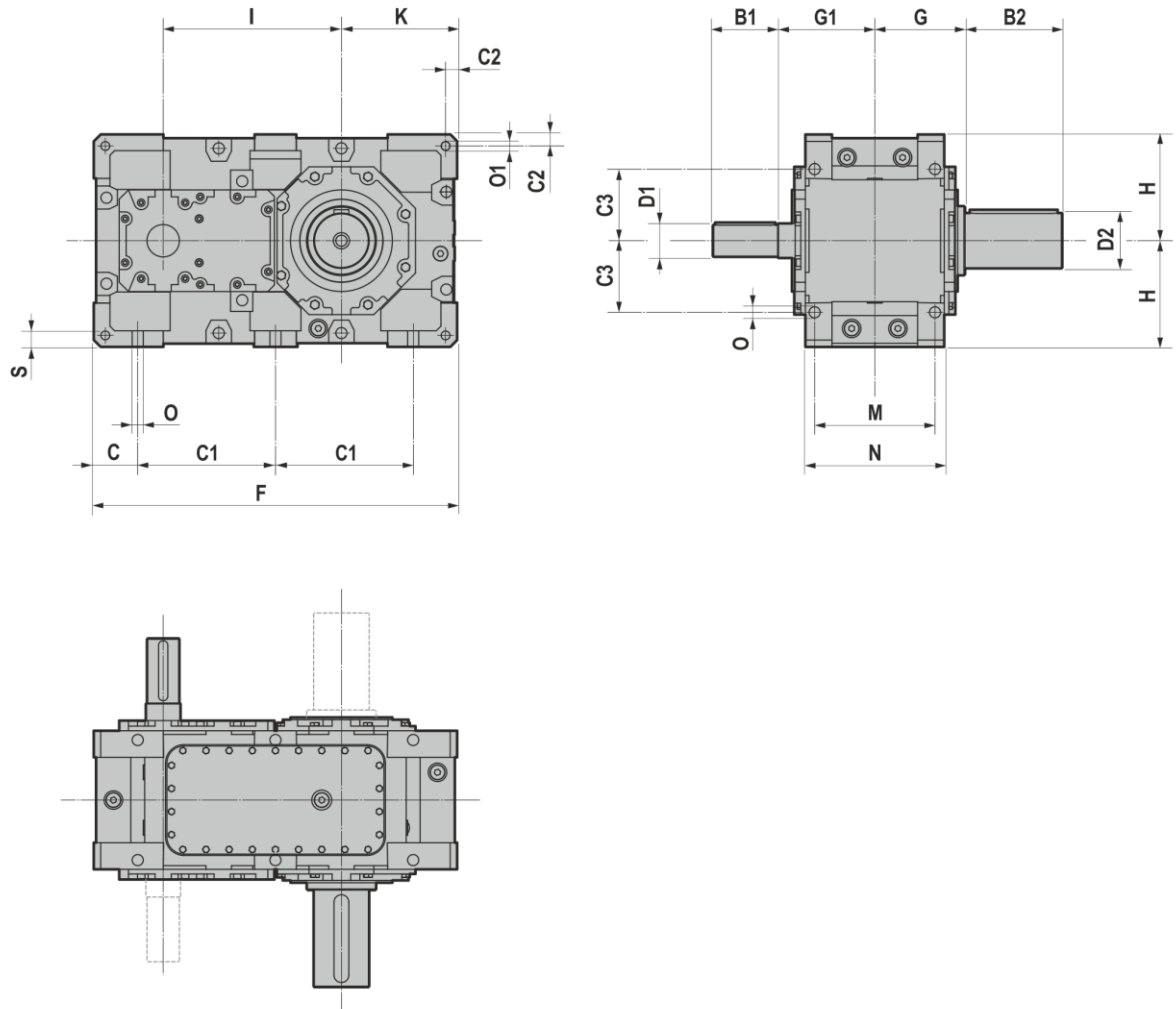
Fr2 [N] is the permissible radial load value from the gear reducer in continuous service, applied at the centre line of the output shaft, calculated considering the most unfavourable conditions as for application angle and direction of rotation.

For radial load application positions other than on the centre line and/or in case of axial loads, contact MOTOVARIO TECHNICAL SERVICE.

	PBZ	179	199	219	249	269	279	319 (1)	349	399	409
Fr2	P2Z	40000	63000	68000	80000	65000	79000	80000	152000	176000	201000
	P3Z - P4Z B3Z - B4Z	56000	94000	106000	112000	65000	132000	143000	186000	210000	318000

(1) In case of $i \leq 11,55$ and presence of radial load Fr2, contact MOTOVARIO TECHNICAL SERVICE.

5.1.1 P2Z



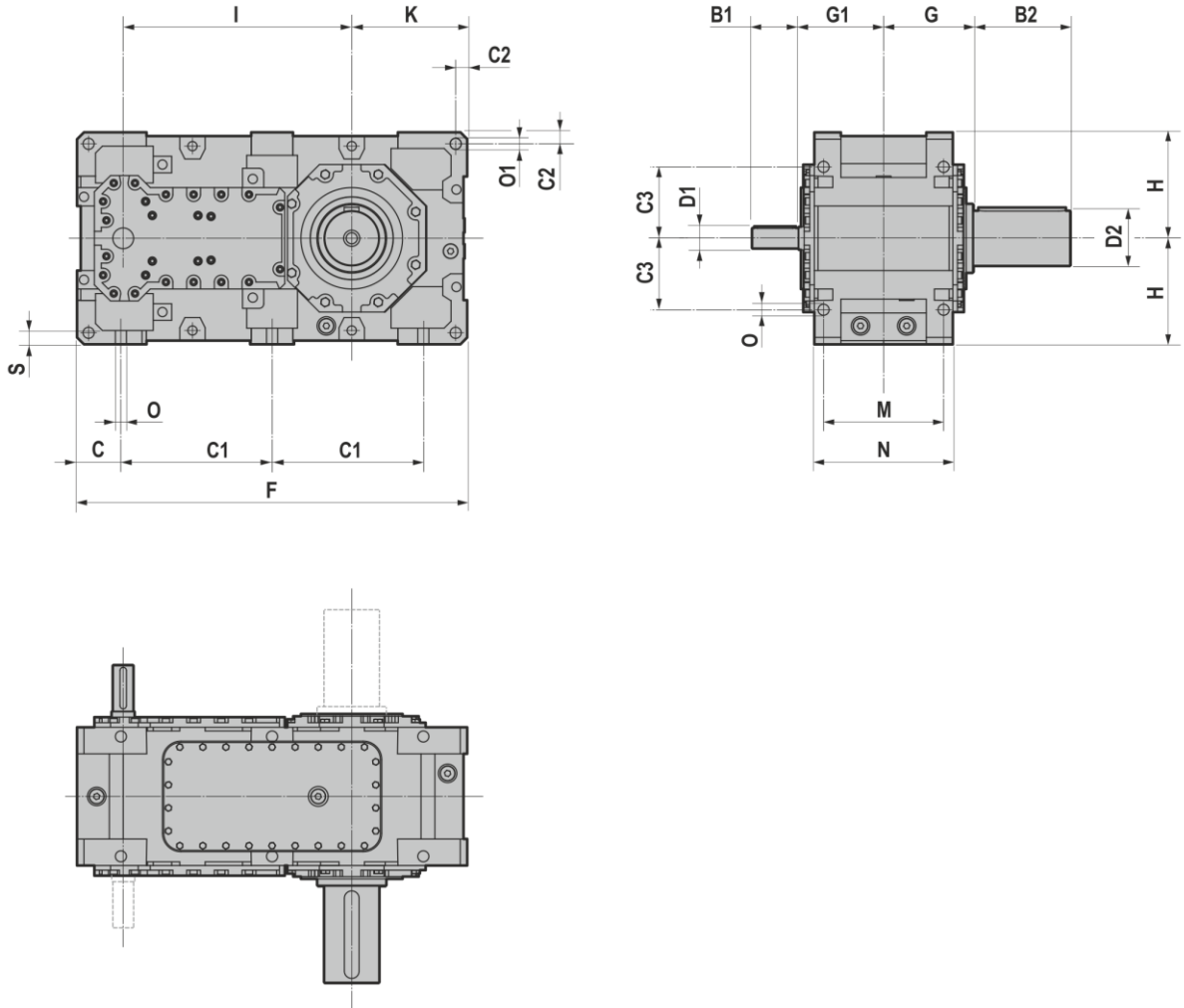
5.1 REDUCERS/GEARED MOTORS

P2Z	D2	B2	C	C1	C2	C3	F	G	G1
179	100	210	75	245	22,5	137,5	640	165	195
199	110	210	80	280	22,5	150	720	165	195
219	120	210	95	297,5	25	155	785	195	210
249	130	250	105	340	30	180	890	195	210
269	140	250	105	360	30	195	930	235	240
279	160	300	117,5	395	35	210	1025	235	240
319	170	300	127,5	425	35	220	1105	270	275
349	180	300	140	490	40	265	1260	270	275
399	200	350	115	545	95	300	1320	335	330
409	220	350	127,5	600	95	300	1455	335	330

P2Z	H	I	K	M	N	O	O1	S
179	200	315	205	220	255	19	19	28
199	230	350	250	220	255	19	19	30
219	230	385	250	260	300	24	24	35
249	280	430	310	260	300	24	28	40
269	280	455	300	320	370	28	28	40
279	320	500	350	320	370	28	32	40
319	320	545	345	370	430	35	32	50
349	400	615	430	370	430	35	32	50
399	440	665	405	475	550	35	35	60
409	440	730	475	475	550	35	35	60

P2Z	i	D1	B1
179	6,37 - 11,37	55	100
	13,69 - 16,79	45	90
	18,19 - 20,93	40	80
199	7,91 - 14,12	55	100
	17,00 - 20,85	45	90
	22,59 - 25,99	40	80
219	6,28 - 10,03	70	140
	10,95 - 14,68	55	100
	16,10 - 18,93	50	110
249	7,96 - 12,72	70	140
	13,88 - 18,62	55	100
	20,41 - 24,00	50	110
269	6,44 - 11,14	80	140
	12,03 - 16,26	65	120
	17,45 - 20,65	55	100
279	7,96 - 13,79	80	140
	14,89 - 20,12	65	120
	21,60 - 25,55	55	100
319	6,33 - 11,55	95	160
	13,29 - 15,52	80	140
	16,73 - 20,48	70	130
349	8,14 - 14,85	95	160
	17,09 - 19,95	80	140
	21,52 - 26,33	70	130
399	6,62 - 10,94	100	205
	12,27 - 17,20	85	170
	18,60 - 20,21	85	170
409	8,01 - 13,24	100	205
	14,84 - 20,80	85	170
	22,50 - 24,44	85	170

5.1.2 P3Z



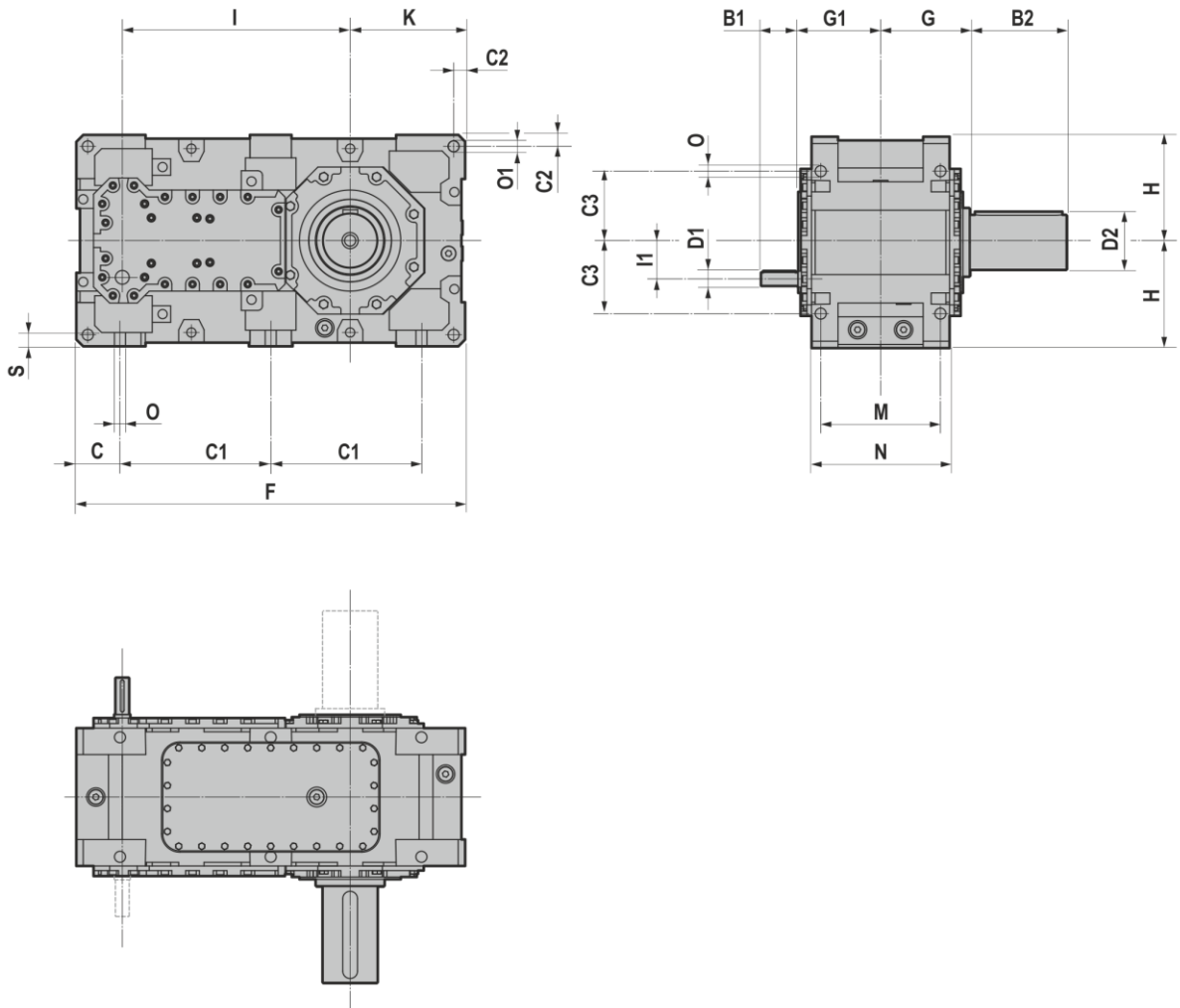
5.1 REDUCERS/GEARED MOTORS

P3Z	D2	B2	C	C1	C2	C3	F	G	G1
179	100	210	75	270	22,5	137,5	690	165	160
199	110	210	80	305	22,5	155	770	165	160
219	120	210	95	327,5	25	155	845	195	185
249	130	250	105	375	35	180	960	195	185
269	140	250	105	400	30	195	1005	235	230
279	160	300	117,5	432,5	40	210	1100	235	230
319	170	300	127,5	472,5	30	220	1200	270	255
349	180	300	140	537,5	40	265	1355	270	255
399	200	350	115	597,5	95	300	1425	335	310
409	220	350	127,5	652,5	95	300	1560	335	310

P3Z	H	I	K	M	N	O	O1	S
179	200	405	205	220	255	19	19	28
199	230	440	250	220	255	19	19	28
219	230	495	250	260	300	24	24	35
249	280	540	315	260	300	24	28	40
269	280	585	300	320	370	28	28	40
279	320	630	350	320	370	28	32	40
319	320	705	345	370	430	35	32	50
349	400	775	430	370	430	35	32	50
399	440	850	405	475	550	35	35	60
409	440	915	475	475	550	35	35	60

P3Z	i	D1	B1
179	24,54 - 42,91	35	80
	46,42 - 68,22	30	80
	73,88 - 86,20	25	70
199	30,48 - 53,29	35	80
	57,66 - 84,72	30	80
	91,76 - 107,05	25	70
219	22,59 - 41,46	45	100
	49,76 - 62,65	35	90
	70,49 - 81,25	30	90
249	28,64 - 52,57	45	100
	63,09 - 79,44	35	90
	89,37 - 103,02	30	90
269	25,06 - 44,71	55	120
	53,85 - 66,05	45	110
	71,53 - 82,31	40	100
279	31,01 - 55,32	55	120
	66,63 - 81,72	45	110
	88,51 - 101,84	40	100
319	24,28 - 38,80	70	160
	42,35 - 56,79	55	120
	62,26 - 73,22	50	130
349	31,22 - 49,89	70	160
	54,45 - 73,01	55	120
	80,05 - 94,14	50	130
399	24,94 - 43,18	80	160
	46,62 - 63,00	65	140
	67,63 - 80,02	55	120
409	30,17 - 52,24	80	160
	56,40 - 76,21	65	140
	81,82 - 96,80	55	120

5.1.3 P4Z



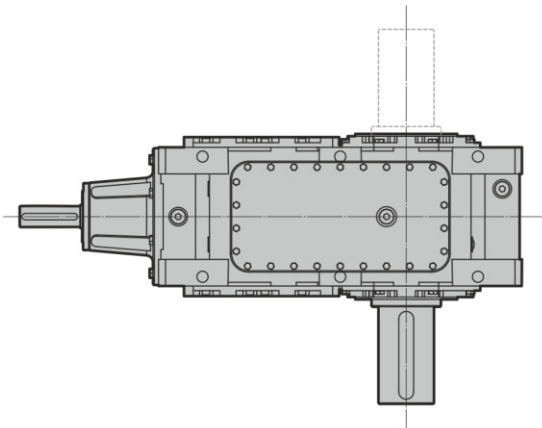
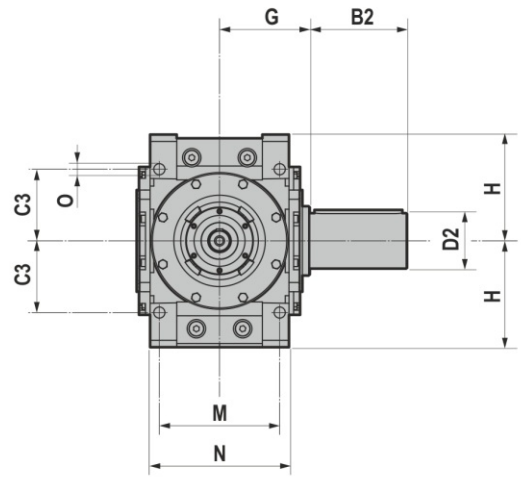
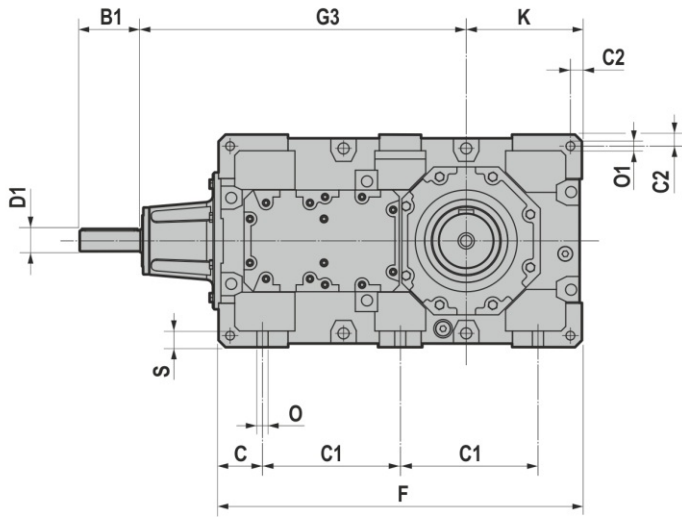
5.1 REDUCERS/GEARED MOTORS

P4Z	D2	B2	C	C1	C2	C3	F	G	G1
219	120	210	95	327,5	25	155	845	195	180
249	130	250	105	375	35	180	960	195	180
269	140	250	105	400	30	195	1005	235	215
279	160	300	117,5	432,5	40	210	1100	235	215
319	170	300	127,5	472,5	30	220	1200	270	250
349	180	300	140	537,5	40	265	1355	270	250
399	200	350	115	597,5	95	300	1425	335	310
409	220	350	127,5	652,5	95	300	1560	335	310

P4Z	H	I	II	K	M	N	O	O1	S
219	230	495	80	250	260	300	24	24	35
249	280	540	80	315	260	300	24	28	40
269	280	585	90	300	320	370	28	28	40
279	320	630	90	350	320	370	28	32	40
319	320	705	110	345	370	430	35	32	50
349	400	775	110	430	370	430	35	32	50
399	440	850	130	405	475	550	35	35	60
409	440	915	130	475	475	550	35	35	60

P4Z	i	D1	B1
219	87,80 - 160,61	30	80
	187,92 - 224,05	25	70
	242,84 - 318,01	20	50
249	111,32 - 203,63	30	80
	238,25 - 284,07	25	70
	307,89 - 403,19	20	50
269	96,53 - 182,60	35	80
	202,27 - 268,32	30	80
	290,61 - 339,04	25	70
279	119,44 - 225,93	35	80
	250,27 - 331,99	30	80
	359,57 - 419,49	25	70
319	87,37 - 160,34	45	90
	192,45 - 242,29	35	80
	272,58 - 314,22	30	80
349	112,33 - 206,15	45	90
	247,43 - 311,52	35	80
	350,46 - 404,00	30	80
399	97,12 - 173,25	55	100
	208,68 - 255,93	45	90
	277,20 - 318,93	40	80
409	117,49 - 209,57	55	100
	252,44 - 309,60	45	90
	335,32 - 385,80	40	80

5.1.4 B3Z



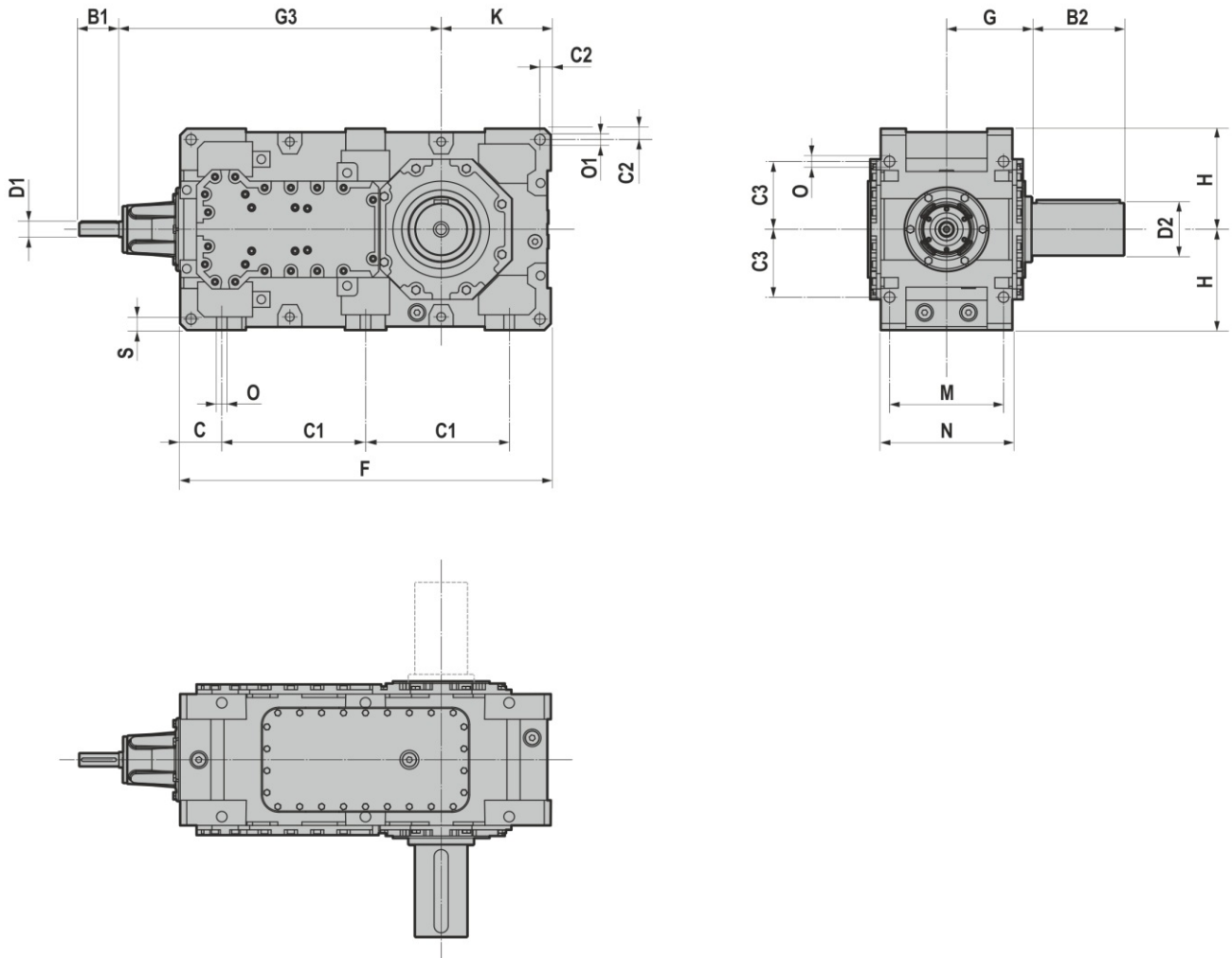
5.1 REDUCERS/GEARED MOTORS

B3Z	D2	B2	C	C1	C2	C3	F	G
179	100	210	75	245	22,5	137,5	640	165
199	110	210	80	280	22,2	150	720	165
219	120	210	95	297,5	25	155	785	195
249	130	250	105	340	30	180	890	195
269	140	250	105	360	30	195	930	235
279	160	300	117,5	395	35	210	1025	235
319	170	300	127,5	425	35	220	1105	270
349	180	300	140	490	40	265	1260	270
399	220	350	115	545	95	300	1320	335
409	220	350	127,5	600	95	300	1455	335

B3Z	G3	H	K	M	N	O	O1	S
179	585	200	205	220	255	19	19	28
199	620	230	250	220	255	19	19	30
219	705	230	250	260	300	24	24	40
249	750	280	310	260	300	24	28	35
269	815	280	300	320	370	28	28	40
279	860	320	350	320	370	28	32	40
319	970	320	345	370	430	35	32	50
349	1040	400	430	370	430	35	32	50
399	1155	440	405	475	550	35	35	60
409	1220	440	475	475	550	35	35	60

B3Z	i	D1	B1
179	13,28 - 34,98	35	100
	37,89 - 69,75	28	80
199	16,49 - 43,45	35	100
	47,06 - 88,63	28	80
219	12,03 - 28,15	45	130
	30,94 - 58,38	35	110
249	15,26 - 35,68	45	130
	39,22 - 74,01	35	110
269	12,34 - 31,16	55	130
	34,36 - 63,67	40	120
279	15,26 - 38,55	55	130
	42,52 - 78,78	40	120
319	12,14 - 32,07	70	160
	38,76 - 59,72	50	140
349	15,61 - 41,24	70	160
	49,83 - 76,78	50	140
399	12,69 - 29,21	80	165
	33,74 - 62,30	60	140
409	15,35 - 35,34	80	165
	40,81 - 75,36	60	140

5.1.5 B4Z



5.1 REDUCERS/GEARED MOTORS

B4Z	D2	B2	C	C1	C2	C3	F	G
219	120	210	95	327,5	25	155	845	195
249	130	250	105	375	35	180	960	195
269	140	250	105	400	30	195	1005	235
279	160	300	117,5	432,5	40	210	1100	235
319	170	300	127,5	472,5	30	220	1200	270
349	180	300	140	537,5	40	265	1355	270
399	200	350	115	597,5	95	300	1425	335
409	220	350	127,5	652,5	95	300	1560	335

B4Z	G3	H	K	M	N	O	O1	S
219	735	230	250	260	300	24	24	35
249	785	280	315	260	300	24	28	40
269	855	280	300	320	370	28	28	40
279	900	320	350	320	370	28	32	40
319	1025	320	345	370	430	35	32	50
349	1095	400	430	370	430	35	32	50
399	1210	440	405	475	550	35	35	60
409	1275	440	475	475	550	35	35	60

B4Z	i	D1	B1
219	60,57 - 114,86	30	90
	127,84 - 330,42	25	80
249	76,80 - 145,63	30	90
	162,08 - 418,92	25	80
269	79,03 - 137,60	35	100
	149,03 - 348,47	28	80
279	97,78 - 170,25	35	100
	184,39 - 431,16	28	80
319	63,03 - 108,84	45	130
	119,64 - 320,17	35	110
349	81,04 - 139,94	45	130
	153,82 - 411,64	35	110
399	70,46 - 120,75	55	130
	123,36 - 327,07	40	120
409	85,23 - 146,07	55	130
	149,23 - 395,65	40	120

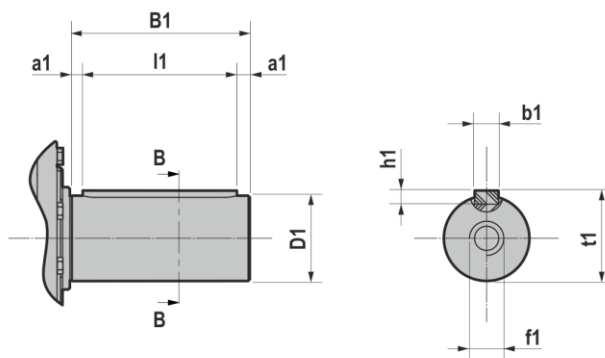
5.2 WEIGHTS

The values reported in the tables are referred to the weight of the gearbox without lubricant.

PZ	[- kg]		
	P2Z	P3Z	P4Z
179	260	280	-
199	330	350	-
219	510	550	560
249	580	620	630
269	740	820	835
279	940	1000	1020
319	1200	1300	1315
349	1620	1710	1740
399	2510	2710	2760
409	2750	2950	3030

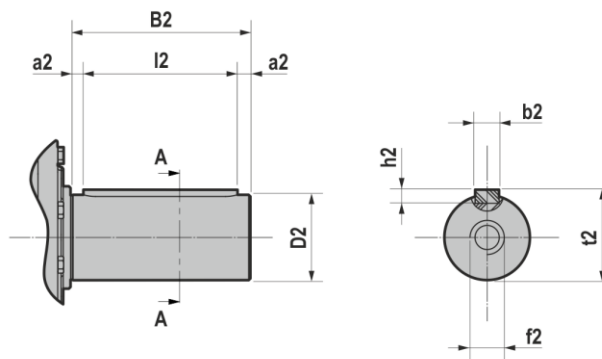
BZ	[- kg]	
	B3Z	B4Z
179	270	-
199	340	-
219	530	570
249	600	640
269	770	850
279	970	1035
319	1240	1340
349	1670	1765
399	2700	2800
409	3060	3100

5.3.1 Input shaft end



D1	B1	b1	t1	f1	b1xh1x1	a1
25 k6	70	8	28	M10	8x7x60	5
25 k6	80	8	28	M10	8x7x70	5
28 k6	80	8	31	M10	8x7x70	5
30 k6	80	8	33	M10	8x7x70	5
30 k6	90	8	33	M10	8x7x80	5
35 k6	80	10	38	M12	10x8x70	5
35 k6	90	10	38	M12	10x8x80	5
35 k6	100	10	38	M12	10x8x90	5
35 k6	110	10	38	M12	10x8x100	5
40 k6	80	12	43	M16	12x8x70	5
40 k6	100	12	43	M16	12x8x90	5
40 k6	120	12	43	M16	12x8x100	10
45 k6	90	14	48,5	M16	14x9x80	5
45 k6	100	14	48,5	M16	14x9x90	5
45 k6	110	14	48,5	M16	14x9x100	5
45 k6	130	14	48,5	M16	14x9x110	10
50 k6	110	14	53,5	M16	14x9x100	5
50 k6	130	14	53,5	M16	14x9x110	10
50 k6	140	14	53,5	M16	14x9x120	10
55 m6	100	16	59	M20	16x10x90	5
55 m6	120	16	59	M20	16x10x100	10
55 m6	130	16	59	M20	16x10x110	10
60 m6	140	18	64	M20	18x11x120	10
65 m6	120	18	69	M20	18x11x100	10
65 m6	140	18	69	M20	18x11x120	10
70 m6	130	20	74,5	M20	20x12x110	10
70 m6	140	20	74,5	M20	20x12x120	10
70 m6	160	20	74,5	M20	20x12x130	15
80 m6	140	22	85	M20	22x14x120	10
80 m6	160	22	85	M20	22x14x130	15
80 m6	165	22	85	M20	22x14x140	12,5
85 m6	170	22	90	M20	22x14x140	15
95 m6	160	25	100	M24	25x14x130	15
100 m6	205	28	106	M24	28x16x170	17,5

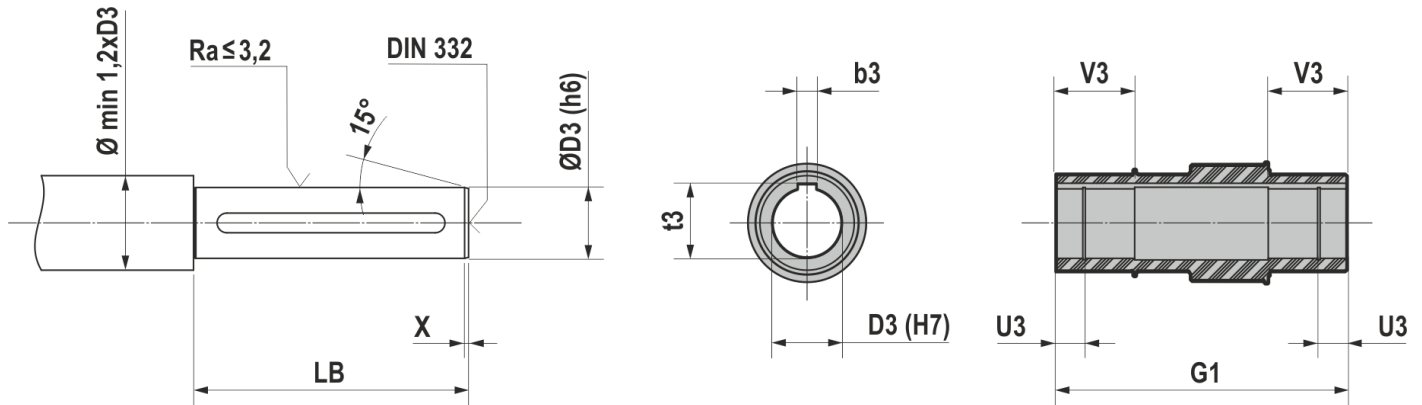
5.3.2 Output shaft end



PZ-BZ	D_2	B_2	b_2	t_2	f_2	$b_2 \times h_2 \times l_2$	a_2
179	100 $+0,04/+0,01$	210	28	106	M24	28x16x180	15
199	110 $+0,04/+0,01$	210	28	116	M24	28x16x180	15
219	120 $+0,04/+0,01$	210	32	127	M24	32x18x180	15
249	130 $+0,04/+0,02$	250	32	137	M24	32x18x200	25
269	140 $+0,04/+0,02$	250	36	148	M30	36x20x200	25
279	160 $+0,04/+0,02$	300	40	169	M30	40x22x240	30
319	170 $+0,04/+0,02$	300	40	179	M30	40x22x240	30
349	180 $+0,04/+0,02$	300	45	191	M30	45x25x240	30
399	200 $+0,05/+0,02$	350	45	211	M30	45x25x270	40
409	220 $+0,05/+0,02$	350	50	231	M30	50x25x270	40

Dimension also valid for double output shaft version.

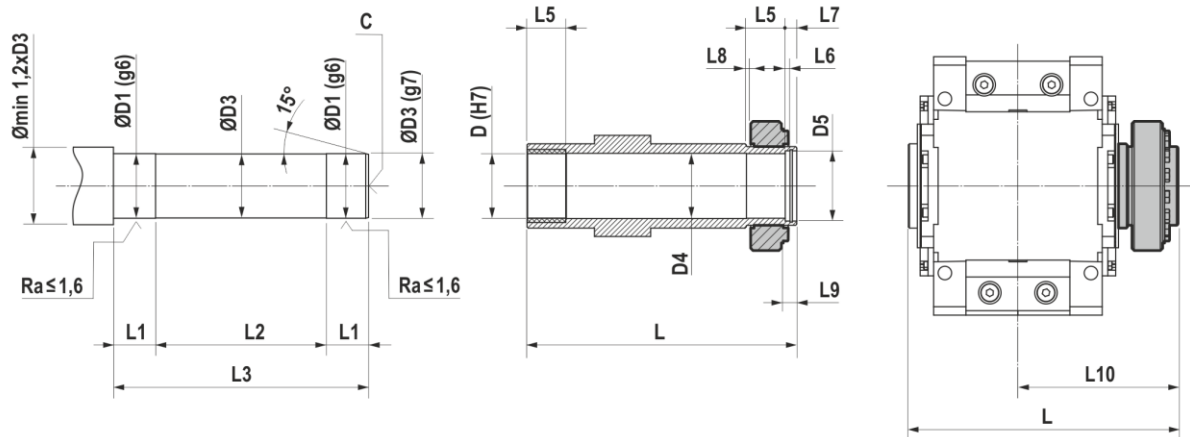
6.1.1 Hollow output shaft with keyway



PZ - BZ	D3 (H7/h6)	b3	t3	G1	U3	V3	LB	X
179	95	25	100,4	330	12	110	301	5
199	105	28	111,4	330	12	110	301	5
219	115	32	122,4	390	12	130	361	5
249	125	32	132,4	390	12	130	361	5
269	135	36	143,4	470	15	160	436	6
279	150	36	158,4	470	15	160	436	6
319	165	40	174,4	540	15	180	505	7
349	180	45	190,4	540	15	180	505	7
399	190	45	200,4	670	20	220	626	8
409	210	50	221,4	670	20	220	626	8

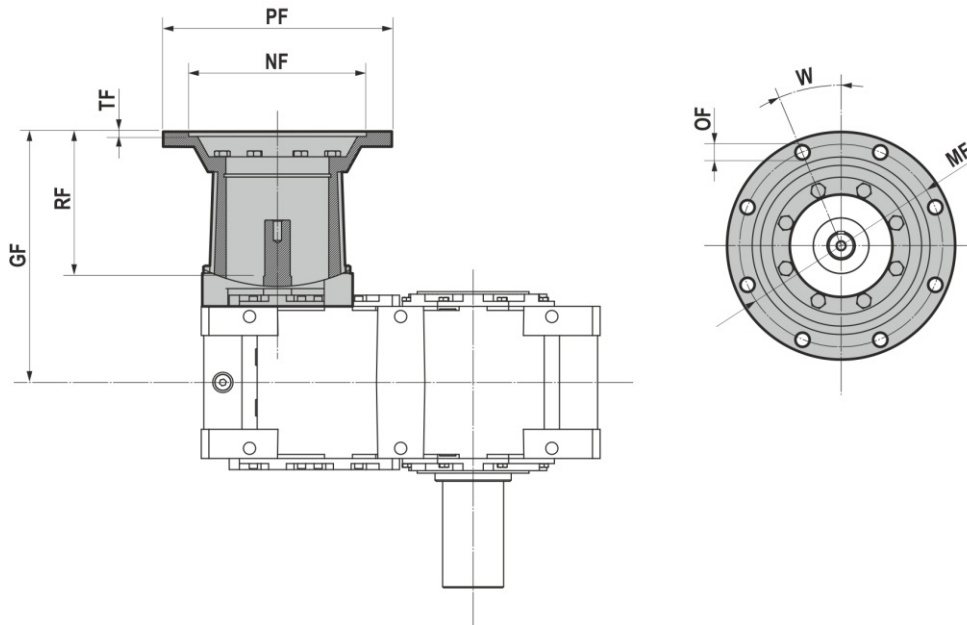
6.1.2 Hollow output shaft with shrink disc

Clean and degrease the surfaces of the shaft to be fitted to. Comply with the indicated tightening torque of screws (M_T).



PZ-BZ	D (H7)	D1 (g6)	D2	D3	D4	D5	L	L1	L2	L3	L4	L5	L6	L7	L8	L9	L10	C	M_T 10.9 [Nm]
179	95	95	114	94	96	105	409	60	263	383	5	55	8,5	20,5	6	20	244	M24	59
199	105	105	126	104	106	115	414	65	258	388	5	60	8,5	20,5	6	20	249	M24	100
219	115	115	138	114	116	125	480	75	304	454	5	70	8,5	20,5	8	23	285	M24	100
249	125	125	150	124	126	135	483	80	297	457	5	75	8,5	20,5	8	23	288	M24	100
269	135	135	162	134	136	145	574	95	355	545	6	85	10,5	23,5	8	28	339	M30	100
279	150	150	180	149	151	160	591	105	352	562	6	95	10,5	23,5	8	28	354,5	M30	100
319	165	165	198	164	166	175	684	115	425	655	7	105	10,5	23,5	-	30	414	M30	250
349	180	180	216	179	181	190	689	135	389	659	7	125	10,5	23,5	10	30	419	M30	490
399	190	190	228	189	191	200	839	140	514	804	8	130	12,5	27,5	-	30	504	M30	490
409	210	210	252	209	211	220	850	140	534	814	8	130	12,5	27,5	12	36	515	M30	490

6.2.1 Motor mounting flanges - PZ



P2Z	IEC (B5)	PF	MF	NF	GF	TF	RF	OF	W
179	180	350	300	250	412,5	8	217,5	19 (n° 4)	45°
	200	400	350	300	412,5	7	217,5	19 (n° 4)	45°
	225	450	400	350	442,5	8	247,5	19 (n° 8)	22°30'
	250	550	500	450	442,5	8	247,5	19 (n° 8)	22°30'
199	180	350	300	250	412,5	8	217,5	19 (n° 4)	45°
	200	400	350	300	412,5	7	217,5	19 (n° 4)	45°
	225	450	400	350	442,5	8	247,5	19 (n° 8)	22°30'
	250	550	500	450	442,5	8	315	19 (n° 8)	22°30'
219	225	450	400	350	495	8	285	19 (n° 8)	22°30'
	250 - 280	550	500	450	495	8	285	19 (n° 8)	22°30'
	315	660	600	550	495	8	315	19 (n° 8)	22°30'
249	225	450	400	350	495	8	285	19 (n° 8)	22°30'
	250 - 280	550	500	450	495	8	285	19 (n° 8)	22°30'
	315	660	600	550	525	8	315	19 (n° 8)	22°30'
269	280	550	500	450	525	8	285	19 (n° 8)	22°30'
	315	660	600	550	555	8	315	24 (n° 8)	22°30'
279	280	550	500	450	525	8	285	19 (n° 8)	22°30'
	315	660	600	550	555	8	315	24 (n° 8)	22°30'
319	315	660	600	550	610	8	335	24 (n° 8)	22°30'
349	315	660	600	550	610	8	335	24 (n° 8)	22°30'

6.2 INPUT FLANGES

PBZ

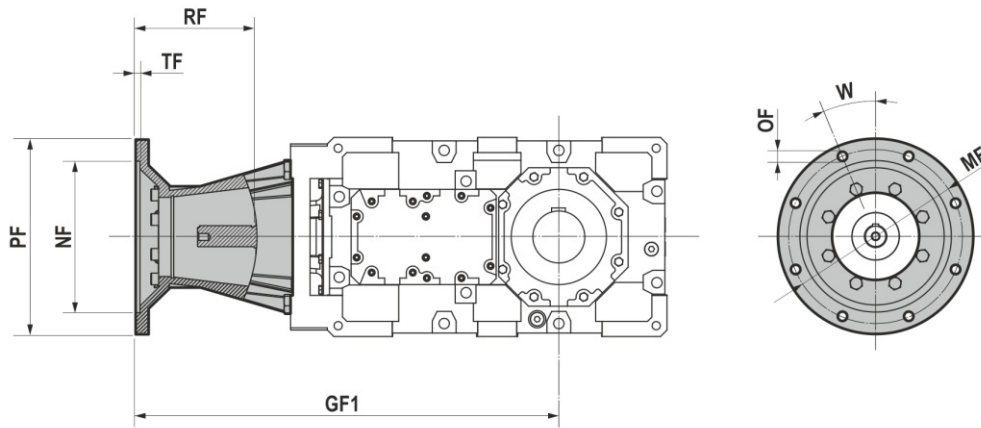
P3Z	IEC (B5)	PF	MF	NF	GF	TF	RF	OF	W
179	132	300	265	230	342,5	8	182,5	19 (n° 4)	45°
	160 - 180	350	300	250	357,5	8	197,5	19 (n° 4)	45°
	200	400	350	300	357,5	7	197,5	19 (n° 4)	45°
	225	450	400	350	385,5	8	225,5	19 (n° 8)	22°30'
	250	550	500	450	387,5	8	227,5	19 (n° 8)	22°30'
199	132	300	265	230	342,5	8	182,5	19 (n° 4)	45°
	160 - 180	350	300	250	357,5	8	197,5	19 (n° 4)	45°
	200	400	350	300	357,5	7	197,5	19 (n° 4)	45°
	225	450	400	350	385,5	8	225,5	19 (n° 8)	22°30'
	250	550	500	450	387,5	8	227,5	19 (n° 8)	22°30'
219	160 - 180	350	300	250	400	8	215	19 (n° 4)	45°
	200	400	350	300	400	7	215	19 (n° 4)	45°
	225	450	400	350	428	8	243	19 (n° 8)	22°30'
	250	550	500	450	430	8	245	19 (n° 8)	22°30'
249	160 - 180	350	300	250	400	8	215	19 (n° 4)	45°
	200	400	350	300	400	7	215	19 (n° 4)	45°
	225	450	400	350	428	8	243	19 (n° 8)	22°30'
	250	550	500	450	430	8	245	19 (n° 8)	22°30'
269	180	350	300	250	470	8	240	19 (n° 4)	45°
	200	400	350	300	470	7	240	19 (n° 4)	45°
	225	450	400	350	500	8	270	19 (n° 8)	22°30'
	250 - 280	550	500	450	500	8	270	19 (n° 8)	22°30'
	315	660	600	550	530	8	300	24 (n° 8)	22°30'
279	180	350	300	250	470	8	240	19 (n° 4)	45°
	200	400	350	300	470	7	240	19 (n° 4)	45°
	225	450	400	350	500	8	270	19 (n° 8)	22°30'
	250 - 280	550	500	450	500	8	270	19 (n° 8)	22°30'
	315	660	600	550	530	8	300	24 (n° 8)	22°30'
319	225	450	400	350	560	8	305	19 (n° 8)	22°30'
	250 - 280	550	500	450	580	8	305	19 (n° 8)	22°30'
	315	660	600	550	590	8	335	24 (n° 8)	22°30'
349	225	450	400	350	560	8	305	19 (n° 8)	22°30'
	250 - 280	550	500	450	580	8	305	19 (n° 8)	22°30'
	315	660	600	550	590	8	335	24 (n° 8)	22°30'

P4Z	IEC (B5)	PF	MF	NF	GF	TF	RF	OF	W
219	132	300	265	230	360	8	180	19 (n° 4)	45°
	160 - 180	350	300	250	375	8	195	19 (n° 4)	45°
249	132	300	265	230	360	8	180	19 (n° 4)	45°
	160 - 180	350	300	250	375	8	195	19 (n° 4)	45°
269	132	300	265	230	400	8	185	19 (n° 4)	45°
	160 - 180	350	300	250	415	8	200	19 (n° 4)	45°
	200	400	350	300	415	7	200	19 (n° 4)	45°
	225	450	400	350	443	8	228	19 (n° 8)	22°30'
279	132	300	265	230	400	8	185	19 (n° 4)	45°
	160 - 180	350	300	250	415	8	200	19 (n° 4)	45°
	200	400	350	300	415	7	200	19 (n° 4)	45°
319	225	450	400	350	443	8	228	19 (n° 8)	22°30'
	160 - 180	350	300	250	455	8	205	19 (n° 4)	45°
	200	400	350	300	455	7	205	19 (n° 4)	45°
	225	450	400	350	483	8	233	19 (n° 8)	22°30'
349	250	550	500	450	485	8	235	19 (n° 8)	22°30'
	160 - 180	350	300	250	455	8	205	19 (n° 4)	45°
	200	400	350	300	455	8	205	19 (n° 4)	45°
	225	450	400	350	483	8	233	19 (n° 8)	22°30'
	250	550	500	450	485	8	235	19 (n° 8)	22°30'

6.2 INPUT FLANGES

6.2.2 Motor mounting flanges - BZ

PBZ



B3Z	IEC (B5)	PF	MF	NF	GF1	TF	RF	OF	W
179	132	300	265	230	785	8	200	15 (n° 4)	45°
	160 - 180	350	300	250	800	8	215	19 (n° 4)	45°
	200	400	350	300	800	7	215	19 (n° 4)	45°
	225	450	400	350	828	8	245	19 (n° 8)	22°30'
	250	550	500	450	830	8	245	19 (n° 8)	22°30'
199	132	300	265	230	820	8	200	15 (n° 4)	45°
	160 - 180	350	300	250	835	8	215	19 (n° 4)	45°
	200	400	350	300	835	7	215	19 (n° 4)	45°
	225	450	400	350	863	8	245	19 (n° 8)	22°30'
	250	550	500	450	865	8	245	19 (n° 8)	22°30'
219	160 - 180	350	300	250	950	8	245	19 (n° 4)	45°
	200	400	350	300	950	7	245	19 (n° 4)	45°
	225	450	400	350	978	8	275	19 (n° 8)	22°30'
	250	550	500	450	980	8	275	19 (n° 8)	22°30'
249	160 - 180	350	300	250	995	8	245	19 (n° 4)	45°
	200	400	350	300	995	7	245	19 (n° 4)	45°
	225	450	400	350	1023	8	275	19 (n° 8)	22°30'
	250	550	500	450	1025	8	275	19 (n° 8)	22°30'
269	180	350	300	250	1060	8	245	19 (n° 4)	45°
	200	400	350	300	1060	7	245	19 (n° 4)	45°
	225	450	400	350	1090	8	275	19 (n° 8)	22°30'
	250 - 280	550	500	450	1090	8	275	19 (n° 8)	22°30'
	315	660	600	550	1120	8	305	24 (n° 8)	22°30'
279	180	350	300	250	1105	8	245	19 (n° 4)	45°
	200	400	350	300	1105	7	245	19 (n° 4)	45°
	225	450	400	350	1135	8	275	19 (n° 8)	22°30'
	250 - 280	550	500	450	1135	8	275	19 (n° 8)	22°30'
	315	660	600	550	1165	8	305	24 (n° 8)	22°30'
319	225	450	400	350	1275	8	305	19 (n° 8)	22°30'
	250 - 280	550	500	450	1275	8	305	19 (n° 8)	22°30'
	315	660	600	550	1305	8	335	24 (n° 8)	22°30'
349	225	450	400	350	1345	8	305	19 (n° 8)	22°30'
	250 - 280	550	500	450	1345	8	305	19 (n° 8)	22°30'
	315	660	600	550	1375	8	335	24 (n° 8)	22°30'

6.2 INPUT FLANGES

B4Z	IEC (B5)	PF	MF	NF	GF1	TF	RF	OF	W
219	132	300	265	230	925	8	190	15 (n° 4)	45°
	160 - 180	350	300	250	940	8	205	19 (n° 4)	45°
249	132	300	265	230	970	8	190	15 (n° 4)	45°
	160 - 180	350	300	250	985	8	205	19 (n° 4)	45°
269	132	300	265	230	1055	8	200	15 (n° 4)	45°
	160	350	300	250	1070	8	215	19 (n° 4)	45°
	180	350	300	250	1070	8	215	19 (n° 4)	45°
	200	400	350	300	1070	7	215	19 (n° 4)	45°
279	225	450	400	350	1098	8	245	19 (n° 8)	22°30'
	132	300	265	230	1100	8	200	15 (n° 4)	45°
	160 - 180	350	300	250	1115	8	215	19 (n° 4)	45°
	200	400	350	300	1115	7	215	19 (n° 4)	45°
319	225	450	400	350	1143	8	245	19 (n° 8)	22°30'
	160 - 180	350	300	250	1270	8	245	19 (n° 4)	45°
	200	400	350	300	1270	7	245	19 (n° 4)	45°
	225	450	400	350	1368	8	275	19 (n° 8)	22°30'
349	250	550	500	450	1370	8	275	19 (n° 8)	22°30'
	160 - 180	350	300	250	1340	8	245	19 (n° 4)	45°
	200	400	350	300	1340	7	245	19 (n° 4)	45°
	225	450	400	350	1438	8	275	19 (n° 8)	22°30'
349	250	550	500	450	1440	8	275	19 (n° 8)	22°30'

6.3.1 Cooling and heating unit

On request the gear reducer can be supplied with:

- Cooling fan;
- Cooling coil with or without valve thermostatic;
- Air-oil or water-oil cooling unit;
- Oil heater.

6.3.2 Lubrication and monitoring unit

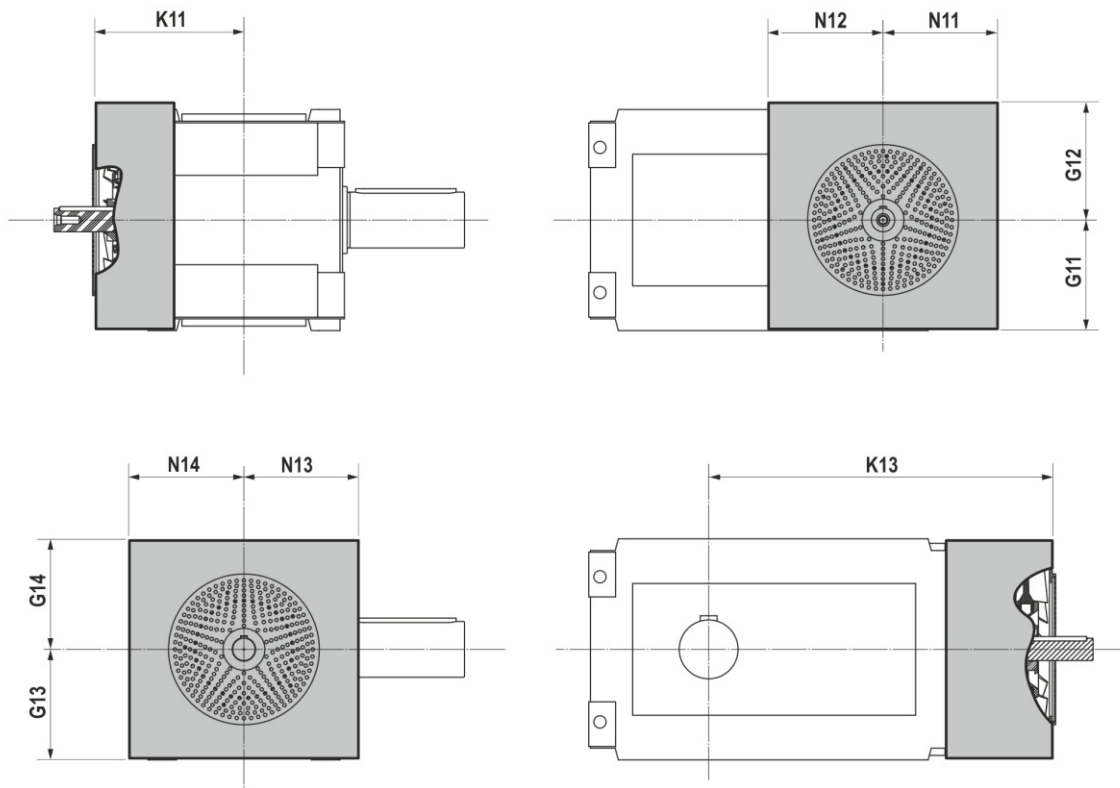
On request the gear reducer can be supplied with:

- Bearings lubrication pump;
- Bearings lubrication motor pump;
- Pressure switch;
- Oil temperature sensor and bearing temperature sensor PT100 .

6.3 DEVICES

PBZ

6.3.3 Cooling fan



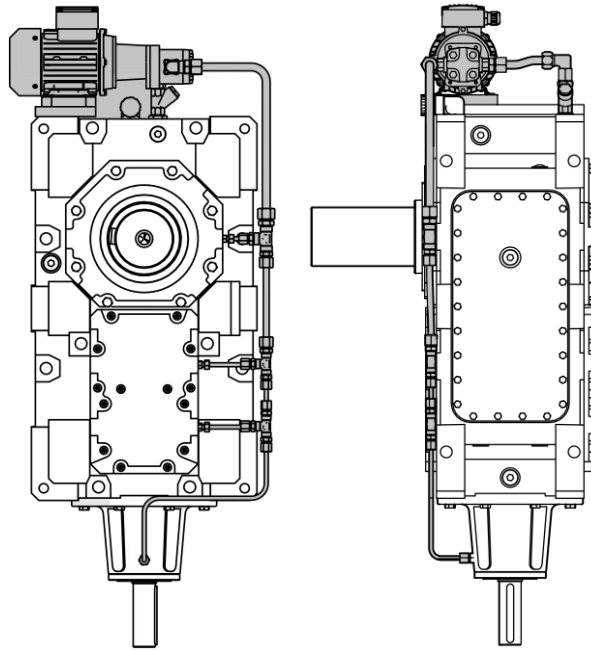
PZ	G11	G12	K11	N11	N12
P2Z-179	197	215	230	175	175
P3Z-179	197	215	220	175	175
P2Z-199	227	245	230	175	175
P1Z-219	245	270	305	238	238
P2Z-219	225	245	255	197	197
P3Z-219	225	245	255	197	197
P2Z-249	274	300	255	210	210
P3Z-249	274	300	255	260	160
P2Z-269	272	295	285	238	238
P2Z-279	312	328	285	238	238
P2Z-319	312	340	325	285	285
P3Z-319	312	340	325	265	265
P2Z-349	390	415	325	285	285
P3Z-349	390	415	325	285	285
P2Z-399	430	450	420	315	315

BZ	B3Z					B4Z				
	G13	G14	K13	N13	N14	G13	G14	K13	N13	N14
179	198	223	608	160	160	198	223	698	160	160
199	210,5	235,5	643	160	160	210,5	235,5	733	160	160
219	225	248	730	183	183	225	248	840	183	183
249	275	298	775	183	183	275	298	885	183	183
269	275	298	863	238	238	275	298	993	238	238
279	315	338	908	238	238	315	338	1038	238	238
319	315	338	1020	275	275	315	338	1180	275	275
349	390	420	1090	275	275	390	420	1250	275	275

6.3 DEVICES

	B3Z					B4Z				
399	/	/	/	/	/	/	/	/	/	/
409	428	460	1285	320	320	428	460	1470	320	320

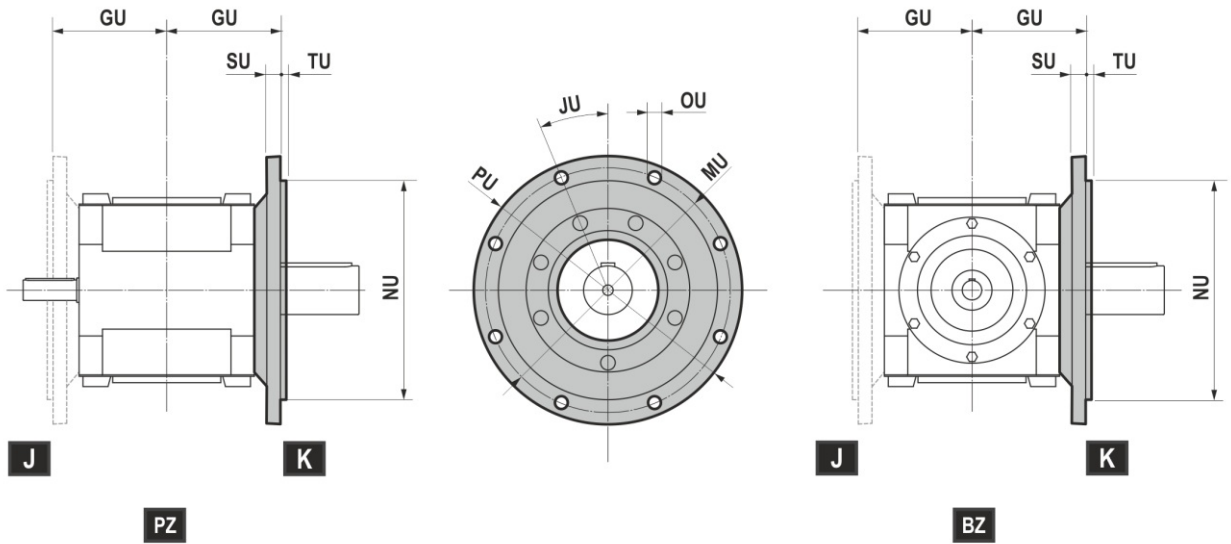
6.3.4 Bearings lubrication motor pump



Motor pump for bearing lubrication supplied already mounted on the gear reducer. For the overall dimensions, contact MOTOVARIO TECHNICAL SERVICE.

6.4.1 Output flange

Unless otherwise specified, gear reducers are supplied with the flange in pos. K as per mounting position B3. For parallel gear reducers with output flange installed on the same side of the quick shaft, check for any dimensional interference.

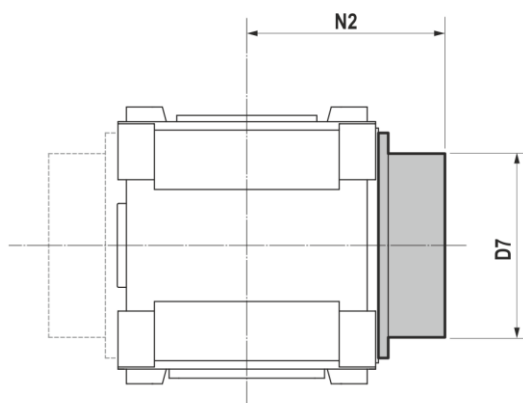


PZ - BZ	PU	MU	NU	SU	TU	OU	JU	GU
179	550	500	450 (-0,02/-0,06)	25	5	18 (n°8)	22°30'	217,5
199	550	500	450 (-0,02/-0,06)	25	5	18 (n°8)	22°30'	217,5
219	660	600	550 (-0,02/-0,07)	30	6	22 (n°8)	22°30'	285
249	660	600	550 (-0,02/-0,07)	30	6	22 (n°8)	22°30'	285
269	660	600	550 (-0,02/-0,07)	35	6	26 (n°12)	15°	319
279	660	600	550 (-0,02/-0,07)	35	6	26 (n°12)	15°	319
319	800	740	680 (-0,02/-0,07)	45	6	26 (n°12)	15°	399
349	800	740	680 (-0,02/-0,07)	45	6	26 (n°12)	15°	399

6.4.2 Backstop device

Gear reducers may be equipped with backstop. The backstop allows shafts to rotate in one direction only. It is essential that while ordering you specify the direction of free rotation of the output shaft, according to the white or black arrow. Please see relevant paragraph "DIRECTION OF ROTATION. Please contact MOTOVARIO TECHNICAL SERVICE to verify dimensions of backstop.

6.4.3 Output shaft cover



PZ-BZ	D7	N2
179	241	267,5
199	256	272,5
219	280	315
249	310	318
269	320	360
279	378	402
319	420	462
349	451	467
399	471	549
409	501	560

6.4.4 Optional seals

On request the gear reducer can be supplied with:

- Labyrinth seal with grease nipple. Recommended for dust and aggressive environments. Overall dimensions of shaft in an axial direction may differ from standard dimensions. Please contact MOTOVARIO TECHNICAL SERVICE.
- Sealing rings in FPM (FKM) fluorinated rubber. Recommended for ambient temperatures above 40 °C, in aggressive industrial environments and with high input speeds. Do not use at ambient temperatures below 10 °C.
- Dual seal. Available both on input and output shaft, in NBR rubber as well as in FPM (FKM) fluorinated rubber.

6.4.5 Other Accessories and Options

On request the gear reducer can be supplied with:

- Filling plug with filter;
- Special painting with C3, C4, C5I and C5M corrosive classes according to UNI EN ISO 12944;

P2Z 179

Mn ₂ [Nm]	i	Pn ₁ [kW]	n ₂ [rpm]
9000	6,37	270	275
9000	7,14	241	245
9000	8,06	213	217
9000	9,64	178	182
9000	10,5	164	167
9000	11,4	151	154
9000	13,7	125	128
9000	15,6	110	112
8640	16,8	98,2	104
8160	18,2	85,6	96,2
6900	19,2	68,6	91,1
7050	20,9	64,3	83,6

P2Z 219

Mn ₂ [Nm]	i	Pn ₁ [kW]	n ₂ [rpm]
13300	6,28	403	279
13900	7,28	364	240
14300	7,86	347	223
14700	8,50	329	206
15100	9,22	312	190
15500	10,0	295	174
16000	11,0	278	160
16700	12,7	251	138
16200	14,7	210	119
15100	16,1	178	109
14300	17,4	157	100
13400	18,9	135	92,4

P2Z 269

Mn ₂ [Nm]	i	Pn ₁ [kW]	n ₂ [rpm]
27000	6,44	800	272
28500	7,47	727	234
29000	8,74	633	200
29000	9,49	583	184
29000	10,3	536	169
29000	11,1	497	157
29000	12,0	460	145
29000	14,2	391	124
27700	16,3	325	108
25300	17,5	277	100
25500	18,9	258	92,7
21400	20,7	198	84,7

P2Z 199

Mn ₂ [Nm]	i	Pn ₁ [kW]	n ₂ [rpm]
11000	7,91	265	221
11000	8,87	237	197
11000	10,0	210	175
11000	12,0	175	146
11000	13,0	162	135
11000	14,1	149	124
11000	17,0	124	103
11000	19,3	109	90,5
10700	20,9	98,3	83,9
10100	22,6	85,6	77,5
8570	23,9	68,6	73,4
8760	26,0	64,3	67,3

P2Z 249

Mn ₂ [Nm]	i	Pn ₁ [kW]	n ₂ [rpm]
16800	7,96	403	220
17700	9,23	365	190
18100	9,96	347	176
18600	10,8	329	162
19100	11,7	312	150
19700	12,7	295	138
20200	13,9	278	126
21200	16,1	252	109
20500	18,6	210	94,0
19100	20,4	179	85,7
18100	22,1	156	79,2
17000	24,0	135	72,9

P2Z 279

Mn ₂ [Nm]	i	Pn ₁ [kW]	n ₂ [rpm]
33500	7,96	802	220
35200	9,25	726	189
36000	10,8	636	162
36000	11,7	585	149
36000	12,8	538	137
36000	13,8	498	127
36000	14,9	461	118
36000	17,5	392	99,9
34300	20,1	325	87,0
31300	21,6	277	81,0
31600	23,4	258	74,9
26500	25,6	198	68,5

P2Z 319

Mn ₂ [Nm]	i	Pn ₁ [kW]	n ₂ [rpm]
38700	6,33	1170	276
40600	7,31	1060	239
42700	8,50	959	206
44600	9,73	875	180
45900	10,6	827	165
47200	11,6	780	152
49400	13,3	710	132
50700	14,4	670	121
45200	15,5	556	113
45700	16,7	521	105
40100	19,0	404	92,3
39200	20,5	365	85,4

P2Z 399

Mn ₂ [Nm]	i	Pn ₁ [kW]	n ₂ [rpm]
70700	6,62	2040	264
74100	7,57	1870	231
77700	8,72	1700	201
79600	9,38	1620	187
81600	10,1	1540	173
83800	10,9	1460	160
87100	12,3	1350	143
89200	13,2	1290	132
86400	15,2	1080	115
73900	17,2	820	102
74700	18,6	767	94,1
73300	20,2	692	86,6

P2Z 349

Mn ₂ [Nm]	i	Pn ₁ [kW]	n ₂ [rpm]
49700	8,14	1170	215
52200	9,40	1060	186
55000	10,9	961	160
57400	12,5	875	140
59000	13,6	827	129
60700	14,9	780	118
63600	17,1	710	102
65200	18,6	670	94,3
58100	20,0	556	87,7
58800	21,5	521	81,3
51600	24,4	404	71,8
50300	26,3	365	66,5

P2Z 409

Mn ₂ [Nm]	i	Pn ₁ [kW]	n ₂ [rpm]
85500	8,01	2040	218
89600	9,16	1870	191
93900	10,6	1700	166
96300	11,4	1620	154
98700	12,2	1540	143
101000	13,2	1460	132
105000	14,8	1350	118
108000	16,0	1290	109
105000	18,4	1080	94,9
89400	20,8	820	84,1
90300	22,5	766	77,8
88700	24,4	692	71,6

P3Z 179

Mn ₂ [Nm]	i	Pn ₁ [kW]	n ₂ [rpm]
9000	24,5	71,5	71,3
9000	28,0	62,7	62,5
9000	32,1	54,7	54,6
9000	36,9	47,5	47,4
9000	42,9	40,9	40,8
9000	46,4	37,8	37,7
9000	51,4	34,1	34,0
9000	57,7	30,4	30,3
9000	68,2	25,7	25,7
9000	73,9	23,7	23,7
9000	79,8	22,0	21,9
8840	86,2	20,0	20,3

P3Z 219

Mn ₂ [Nm]	i	Pn ₁ [kW]	n ₂ [rpm]
19000	22,6	164	77,5
19000	25,1	148	69,7
19000	28,7	129	61,0
19000	33,0	112	53,0
19000	38,3	96,6	45,6
19000	41,5	89,3	42,2
19000	49,8	74,4	35,2
19000	57,8	64,1	30,3
18400	62,7	57,3	27,9
16100	70,5	44,5	24,8
15500	75,3	40,1	23,3
14600	81,3	35,0	21,5

P3Z 269

Mn ₂ [Nm]	i	Pn ₁ [kW]	n ₂ [rpm]
29000	25,1	226	69,8
29000	28,1	201	62,3
29000	31,7	178	55,2
29000	37,9	149	46,1
29000	41,1	137	42,6
29000	44,7	126	39,1
29000	53,9	105	32,5
29000	61,2	92,4	28,6
29000	66,1	85,6	26,5
29000	71,5	79,0	24,5
23900	75,6	61,7	23,2
27200	82,3	64,4	21,3

P3Z 199

Mn ₂ [Nm]	i	Pn ₁ [kW]	n ₂ [rpm]
11000	30,5	70,4	57,4
11000	34,8	61,7	50,3
11000	39,8	53,9	44,0
11000	45,9	46,7	38,1
11000	53,3	40,2	32,8
11000	57,7	37,2	30,4
11000	63,9	33,6	27,4
11000	71,7	29,9	24,4
11000	84,7	25,3	20,7
11000	91,8	23,4	19,1
11000	99,1	21,6	17,7
11000	107	20,0	16,3

P3Z 249

Mn ₂ [Nm]	i	Pn ₁ [kW]	n ₂ [rpm]
24000	28,6	163	61,1
24000	31,8	147	55,0
24000	36,4	129	48,1
24000	41,9	112	41,8
24000	48,6	96,2	36,0
24000	52,6	89,0	33,3
24000	63,1	74,2	27,7
24000	73,3	63,8	23,9
23300	79,4	57,2	22,0
20500	89,4	44,6	19,6
19700	95,4	40,2	18,3
18500	103	35,0	17,0

P3Z 279

Mn ₂ [Nm]	i	Pn ₁ [kW]	n ₂ [rpm]
36000	31,0	226	56,4
36000	34,8	202	50,4
36000	39,2	179	44,6
36000	46,9	150	37,3
36000	50,9	138	34,4
36000	55,3	127	31,6
36000	66,6	105	26,3
36000	75,7	92,7	23,1
36000	81,7	85,9	21,4
36000	88,5	79,3	19,8
29600	93,5	61,6	18,7
33700	102	64,4	17,2

P3Z 319

Mn ₂ [Nm]	i	Pn ₁ [kW]	n ₂ [rpm]
55000	24,3	442	72,1
55000	28,2	381	62,2
55000	30,4	353	57,6
55000	32,9	326	53,2
55000	35,7	301	49,1
55000	38,8	276	45,1
55000	42,4	253	41,3
55000	49,1	218	35,6
55000	56,8	189	30,8
55000	62,3	172	28,1
54100	67,4	157	26,0
50700	73,2	135	23,9

P3Z 399

Mn ₂ [Nm]	i	Pn ₁ [kW]	n ₂ [rpm]
90000	24,9	703	70,2
90000	29,0	606	60,4
90000	33,9	518	51,7
90000	36,8	477	47,6
90000	40,0	439	43,7
90000	43,2	406	40,5
90000	46,6	376	37,5
90000	54,9	320	31,9
90000	63,0	278	27,8
90000	67,6	259	25,9
90000	73,2	240	23,9
81300	80,0	198	21,9

P3Z 349

Mn ₂ [Nm]	i	Pn ₁ [kW]	n ₂ [rpm]
70000	31,2	437	56,1
70000	36,2	377	48,3
70000	39,1	349	44,8
70000	42,3	323	41,4
70000	45,9	298	38,2
70000	49,9	274	35,1
70000	54,5	251	32,1
70000	63,1	216	27,7
70000	73,0	187	24,0
70000	80,1	170	21,9
69600	86,6	157	20,2
65200	94,1	135	18,6

P3Z 409

Mn ₂ [Nm]	i	Pn ₁ [kW]	n ₂ [rpm]
110000	30,2	711	58,0
110000	35,0	612	50,0
110000	41,0	523	42,7
110000	44,5	482	39,4
110000	48,4	443	36,2
110000	52,2	410	33,5
110000	56,4	380	31,0
110000	66,4	323	26,4
110000	76,2	281	23,0
110000	81,8	262	21,4
110000	88,5	242	19,8
98300	96,8	198	18,1

P4Z 219

Mn ₂ [Nm]	i	Pn ₁ [kW]	n ₂ [rpm]
19000	87,8	43,1	19,9
19000	93,4	40,5	18,7
19000	106	35,7	16,5
19000	121	31,3	14,5
19000	139	27,3	12,6
19000	161	23,6	10,9
19000	188	20,1	9,31
19000	204	18,5	8,57
19000	224	16,9	7,81
19000	243	15,6	7,21
19000	293	12,9	5,97
19000	318	11,9	5,50

P4Z 269

Mn ₂ [Nm]	i	Pn ₁ [kW]	n ₂ [rpm]
29000	96,5	59,8	18,1
29000	110	52,5	15,9
29000	126	45,8	13,9
29000	145	39,8	12,0
29000	169	34,2	10,4
29000	183	31,6	9,58
29000	202	28,6	8,65
29000	227	25,4	7,71
29000	268	21,5	6,52
29000	291	19,9	6,02
29000	314	18,4	5,58
29000	339	17,0	5,16

P4Z 319

Mn ₂ [Nm]	i	Pn ₁ [kW]	n ₂ [rpm]
55000	87,4	125	20,0
55000	97,0	113	18,0
55000	111	98,7	15,8
55000	128	85,7	13,7
55000	148	73,9	11,8
55000	160	68,3	10,9
55000	192	56,9	9,09
55000	224	49,0	7,83
55000	242	45,2	7,22
55000	273	40,2	6,42
53400	291	36,5	6,01
55000	314	34,9	5,57

P4Z 249

Mn ₂ [Nm]	i	Pn ₁ [kW]	n ₂ [rpm]
24000	111	42,9	15,7
24000	118	40,4	14,8
24000	134	35,6	13,0
24000	153	31,2	11,4
24000	176	27,2	9,95
24000	204	23,5	8,59
24000	238	20,1	7,35
24000	259	18,5	6,76
24000	284	16,8	6,16
24000	308	15,5	5,68
24000	371	12,9	4,71
24000	403	11,9	4,34

P4Z 279

Mn ₂ [Nm]	i	Pn ₁ [kW]	n ₂ [rpm]
36000	119	60,0	14,7
36000	136	52,6	12,8
36000	156	46,0	11,2
36000	180	39,9	9,73
36000	209	34,3	8,38
36000	226	31,7	7,75
36000	250	28,7	6,99
36000	281	25,5	6,23
36000	332	21,6	5,27
36000	360	19,9	4,87
36000	388	18,5	4,51
36000	419	17,1	4,17

P4Z 349

Mn ₂ [Nm]	i	Pn ₁ [kW]	n ₂ [rpm]
70000	112	124	15,6
70000	125	112	14,0
70000	143	97,7	12,3
70000	164	84,9	10,7
70000	191	73,1	9,18
70000	206	67,6	8,49
70000	247	56,3	7,07
70000	287	48,5	6,09
70000	312	44,8	5,62
70000	350	39,8	4,99
68700	374	36,6	4,68
70000	404	34,5	4,33

P4Z 399

Mn ₂ [Nm]	i	Pn ₁ [kW]	n ₂ [rpm]
90000	97,1	185	18,0
90000	109	165	16,1
90000	123	146	14,2
90000	147	122	11,9
90000	159	112	11,0
90000	173	103	10,1
90000	209	85,9	8,39
90000	237	75,6	7,38
90000	256	70,0	6,84
90000	277	64,7	6,31
90000	293	61,2	5,98
90000	319	56,2	5,49

P4Z 409

Mn ₂ [Nm]	i	Pn ₁ [kW]	n ₂ [rpm]
110000	117	186	14,9
110000	132	166	13,3
110000	149	147	11,8
110000	178	123	9,84
110000	193	114	9,08
110000	210	105	8,35
110000	252	86,8	6,93
110000	287	76,4	6,10
110000	310	70,8	5,65
110000	335	65,3	5,22
110000	354	61,8	4,94
110000	386	56,8	4,54

P2Z 179

Mn ₂ [Nm]	i	Pn ₁ [kW]	n ₂ [rpm]
9000	6,37	216	220
9000	7,14	192	196
9000	8,06	171	174
9000	9,64	143	145
9000	10,5	132	134
9000	11,4	121	123
9000	13,7	100	102
9000	15,6	88,3	90,0
8640	16,8	78,6	83,4
8160	18,2	68,5	77,0
6900	19,2	54,8	72,9
7050	20,9	51,4	66,9

P2Z 219

Mn ₂ [Nm]	i	Pn ₁ [kW]	n ₂ [rpm]
13300	6,28	322	223
13900	7,28	292	192
14300	7,86	278	178
14700	8,50	263	165
15100	9,22	249	152
15500	10,0	236	140
16000	11,0	222	128
16700	12,7	201	110
16200	14,7	168	95,4
15100	16,1	143	87,0
14300	17,4	125	80,4
13400	18,9	108	74,0

P2Z 269

Mn ₂ [Nm]	i	Pn ₁ [kW]	n ₂ [rpm]
27000	6,44	640	217
28500	7,47	582	187
29000	8,74	507	160
29000	9,49	467	148
29000	10,3	429	136
29000	11,1	398	126
29000	12,0	368	116
29000	14,2	313	98,9
27700	16,3	260	86,1
25300	17,5	221	80,2
25500	18,9	206	74,2
21400	20,7	158	67,8

P2Z 199

Mn ₂ [Nm]	i	Pn ₁ [kW]	n ₂ [rpm]
11000	7,91	212	177
11000	8,87	189	158
11000	10,0	168	140
11000	12,0	140	117
11000	13,0	129	108
11000	14,1	119	99,2
11000	17,0	98,8	82,4
11000	19,3	86,9	72,4
10700	20,9	78,7	67,1
10100	22,6	68,5	62,0
8570	23,9	54,9	58,7
8760	26,0	51,5	53,9

P2Z 249

Mn ₂ [Nm]	i	Pn ₁ [kW]	n ₂ [rpm]
16800	7,96	322	176
17700	9,23	292	152
18100	9,96	278	141
18600	10,8	263	130
19100	11,7	250	120
19700	12,7	236	110
20200	13,9	222	101
21200	16,1	201	87,0
20500	18,6	168	75,2
19100	20,4	143	68,6
18100	22,1	125	63,4
17000	24,0	108	58,3

P2Z 279

Mn ₂ [Nm]	i	Pn ₁ [kW]	n ₂ [rpm]
33500	7,96	642	176
35200	9,25	581	151
36000	10,8	509	130
36000	11,7	468	119
36000	12,8	430	110
36000	13,8	399	102
36000	14,9	369	94,0
36000	17,5	314	79,9
34300	20,1	260	69,6
31300	21,6	221	64,8
31600	23,4	206	59,9
26500	25,6	158	54,8

P2Z 319

Mn ₂ [Nm]	i	Pn ₁ [kW]	n ₂ [rpm]
38700	6,33	932	221
40600	7,31	848	192
42700	8,50	767	165
44600	9,73	700	144
45900	10,6	662	132
47200	11,6	624	121
49400	13,3	568	105
50700	14,4	536	97,0
45200	15,5	445	90,2
45700	16,7	417	83,7
40100	19,0	323	73,9
39200	20,5	292	68,4

P2Z 399

Mn ₂ [Nm]	i	Pn ₁ [kW]	n ₂ [rpm]
70700	6,62	1630	211
74100	7,57	1490	185
77700	8,72	1360	161
79600	9,38	1300	149
81600	10,1	1230	138
83800	10,9	1170	128
87100	12,3	1080	114
89200	13,2	1030	106
86400	15,2	865	91,9
73900	17,2	656	81,4
74700	18,6	613	75,3
73300	20,2	554	69,3

P2Z 349

Mn ₂ [Nm]	i	Pn ₁ [kW]	n ₂ [rpm]
49700	8,14	932	172
52200	9,40	848	149
55000	10,9	768	128
57400	12,5	700	112
59000	13,6	661	103
60700	14,9	624	94,3
63600	17,1	568	81,9
65200	18,6	536	75,4
58100	20,0	445	70,2
58800	21,5	417	65,1
51600	24,4	323	57,5
50300	26,3	292	53,2

P2Z 409

Mn ₂ [Nm]	i	Pn ₁ [kW]	n ₂ [rpm]
85500	8,01	1630	175
89600	9,16	1490	153
93900	10,6	1360	133
96300	11,4	1290	123
98700	12,2	1230	114
101000	13,2	1170	106
105000	14,8	1080	94,3
108000	16,0	1030	87,6
105000	18,4	865	75,9
89400	20,8	656	67,3
90300	22,5	613	62,2
88700	24,4	554	57,3

P3Z 179

Mn ₂ [Nm]	i	Pn ₁ [kW]	n ₂ [rpm]
9000	24,5	57,2	57,0
9000	28,0	50,1	50,0
9000	32,1	43,8	43,7
9000	36,9	38,0	37,9
9000	42,9	32,7	32,6
9000	46,4	30,2	30,2
9000	51,4	27,3	27,2
9000	57,7	24,3	24,3
9000	68,2	20,6	20,5
9000	73,9	19,0	18,9
9000	79,8	17,6	17,6
8840	86,2	16,0	16,2

P3Z 219

Mn ₂ [Nm]	i	Pn ₁ [kW]	n ₂ [rpm]
19000	22,6	131	62,0
19000	25,1	118	55,8
19000	28,7	103	48,8
19000	33,0	89,7	42,4
19000	38,3	77,3	36,5
19000	41,5	71,5	33,8
19000	49,8	59,5	28,1
19000	57,8	51,2	24,2
18400	62,7	45,8	22,3
16100	70,5	35,6	19,9
15500	75,3	32,1	18,6
14600	81,3	28,0	17,2

P3Z 269

Mn ₂ [Nm]	i	Pn ₁ [kW]	n ₂ [rpm]
29000	25,1	180	55,9
29000	28,1	161	49,9
29000	31,7	143	44,2
29000	37,9	119	36,9
29000	41,1	110	34,0
29000	44,7	101	31,3
29000	53,9	84,0	26,0
29000	61,2	73,9	22,9
29000	66,1	68,5	21,2
29000	71,5	63,2	19,6
23900	75,6	49,3	18,5
27200	82,3	51,5	17,0

P3Z 199

Mn ₂ [Nm]	i	Pn ₁ [kW]	n ₂ [rpm]
11000	30,5	56,3	45,9
11000	34,8	49,4	40,3
11000	39,8	43,1	35,2
11000	45,9	37,4	30,5
11000	53,3	32,2	26,3
11000	57,7	29,8	24,3
11000	63,9	26,9	21,9
11000	71,7	23,9	19,5
11000	84,7	20,2	16,5
11000	91,8	18,7	15,3
11000	99,1	17,3	14,1
11000	107	16,0	13,1

P3Z 249

Mn ₂ [Nm]	i	Pn ₁ [kW]	n ₂ [rpm]
24000	28,6	131	48,9
24000	31,8	118	44,0
24000	36,4	103	38,5
24000	41,9	89,4	33,4
24000	48,6	77,0	28,8
24000	52,6	71,2	26,6
24000	63,1	59,3	22,2
24000	73,3	51,1	19,1
23300	79,4	45,7	17,6
20500	89,4	35,7	15,7
19700	95,4	32,2	14,7
18500	103	28,0	13,6

P3Z 279

Mn ₂ [Nm]	i	Pn ₁ [kW]	n ₂ [rpm]
36000	31,0	181	45,1
36000	34,8	162	40,3
36000	39,2	143	35,7
36000	46,9	120	29,8
36000	50,9	110	27,5
36000	55,3	101	25,3
36000	66,6	84,3	21,0
36000	75,7	74,1	18,5
36000	81,7	68,7	17,1
36000	88,5	63,4	15,8
29600	93,5	49,3	15,0
33700	102	51,5	13,7

P3Z 319

Mn ₂ [Nm]	i	Pn ₁ [kW]	n ₂ [rpm]
55000	24,3	353	57,7
55000	28,2	305	49,7
55000	30,4	282	46,1
55000	32,9	261	42,6
55000	35,7	240	39,2
55000	38,8	221	36,1
55000	42,4	203	33,1
55000	49,1	175	28,5
55000	56,8	151	24,7
55000	62,3	138	22,5
54100	67,4	125	20,8
50700	73,2	108	19,1

P3Z 399

Mn ₂ [Nm]	i	Pn ₁ [kW]	n ₂ [rpm]
90000	24,9	563	56,1
90000	29,0	485	48,3
90000	33,9	414	41,3
90000	36,8	382	38,1
90000	40,0	351	35,0
90000	43,2	325	32,4
90000	46,6	301	30,0
90000	54,9	256	25,5
90000	63,0	223	22,2
90000	67,6	208	20,7
90000	73,2	192	19,1
81300	80,0	158	17,5

P3Z 349

Mn ₂ [Nm]	i	Pn ₁ [kW]	n ₂ [rpm]
70000	31,2	350	44,8
70000	36,2	302	38,7
70000	39,1	279	35,8
70000	42,3	258	33,1
70000	45,9	238	30,5
70000	49,9	219	28,1
70000	54,5	200	25,7
70000	63,1	173	22,2
70000	73,0	150	19,2
70000	80,1	136	17,5
69600	86,6	125	16,2
65200	94,1	108	14,9

P3Z 409

Mn ₂ [Nm]	i	Pn ₁ [kW]	n ₂ [rpm]
110000	30,2	569	46,4
110000	35,0	490	40,0
110000	41,0	419	34,2
110000	44,5	386	31,5
110000	48,4	354	28,9
110000	52,2	328	26,8
110000	56,4	304	24,8
110000	66,4	258	21,1
110000	76,2	225	18,4
110000	81,8	210	17,1
110000	88,5	194	15,8
98300	96,8	158	14,5

P4Z 219

Mn ₂ [Nm]	i	Pn ₁ [kW]	n ₂ [rpm]
19000	87,8	34,5	15,9
19000	93,4	32,4	15,0
19000	106	28,6	13,2
19000	121	25,0	11,6
19000	139	21,8	10,1
19000	161	18,9	8,72
19000	188	16,1	7,45
19000	204	14,8	6,85
19000	224	13,5	6,25
19000	243	12,5	5,77
19000	293	10,3	4,78
19000	318	9,52	4,40

P4Z 269

Mn ₂ [Nm]	i	Pn ₁ [kW]	n ₂ [rpm]
29000	96,5	47,9	14,5
29000	110	42,0	12,7
29000	126	36,6	11,1
29000	145	31,8	9,64
29000	169	27,4	8,29
29000	183	25,3	7,67
29000	202	22,8	6,92
29000	227	20,4	6,17
29000	268	17,2	5,22
29000	291	15,9	4,82
29000	314	14,7	4,46
29000	339	13,6	4,13

P4Z 319

Mn ₂ [Nm]	i	Pn ₁ [kW]	n ₂ [rpm]
55000	87,4	100	16,0
55000	97,0	90,3	14,4
55000	111	79,0	12,6
55000	128	68,6	11,0
55000	148	59,1	9,44
55000	160	54,7	8,73
55000	192	45,5	7,27
55000	224	39,2	6,26
55000	242	36,2	5,78
55000	273	32,2	5,14
53400	291	29,2	4,81
55000	314	27,9	4,46

P4Z 249

Mn ₂ [Nm]	i	Pn ₁ [kW]	n ₂ [rpm]
24000	111	34,4	12,6
24000	118	32,3	11,8
24000	134	28,5	10,4
24000	153	24,9	9,13
24000	176	21,7	7,96
24000	204	18,8	6,88
24000	238	16,1	5,88
24000	259	14,8	5,40
24000	284	13,5	4,93
24000	308	12,4	4,55
24000	371	10,3	3,77
24000	403	9,49	3,47

P4Z 279

Mn ₂ [Nm]	i	Pn ₁ [kW]	n ₂ [rpm]
36000	119	48,0	11,7
36000	136	42,1	10,3
36000	156	36,8	8,97
36000	180	31,9	7,79
36000	209	27,5	6,70
36000	226	25,4	6,20
36000	250	22,9	5,59
36000	281	20,4	4,98
36000	332	17,3	4,22
36000	360	16,0	3,89
36000	388	14,8	3,61
36000	419	13,7	3,34

P4Z 349

Mn ₂ [Nm]	i	Pn ₁ [kW]	n ₂ [rpm]
70000	112	99,3	12,5
70000	125	89,4	11,2
70000	143	78,2	9,81
70000	164	67,9	8,52
70000	191	58,5	7,34
70000	206	54,1	6,79
70000	247	45,1	5,66
70000	287	38,8	4,87
70000	312	35,8	4,49
70000	350	31,8	3,99
68700	374	29,3	3,74
70000	404	27,6	3,47

P4Z 399

Mn ₂ [Nm]	i	Pn ₁ [kW]	n ₂ [rpm]
90000	97,1	148	14,4
90000	109	132	12,9
90000	123	117	11,4
90000	147	97,6	9,52
90000	159	90,0	8,79
90000	173	82,8	8,08
90000	209	68,7	6,71
90000	237	60,5	5,90
90000	256	56,0	5,47
90000	277	51,7	5,05
90000	293	49,0	4,78
90000	319	45,0	4,39

P4Z 409

Mn ₂ [Nm]	i	Pn ₁ [kW]	n ₂ [rpm]
110000	117	149	11,9
110000	132	133	10,6
110000	149	118	9,42
110000	178	98,6	7,87
110000	193	90,9	7,26
110000	210	83,6	6,68
110000	252	69,4	5,55
110000	287	61,1	4,88
110000	310	56,6	4,52
110000	335	52,3	4,18
110000	354	49,4	3,95
110000	386	45,4	3,63

P2Z 179

Mn ₂ [Nm]	i	Pn ₁ [kW]	n ₂ [rpm]
9000	6,37	176	179
9000	7,14	157	160
9000	8,06	139	141
9000	9,64	116	118
9000	10,5	107	109
9000	11,4	98,4	100
9000	13,7	81,7	83,3
9000	15,6	71,9	73,3
8640	16,8	64,0	67,9
8160	18,2	55,8	62,7
6900	19,2	44,7	59,3
7050	20,9	41,9	54,5

P2Z 219

Mn ₂ [Nm]	i	Pn ₁ [kW]	n ₂ [rpm]
13300	6,28	262	182
13900	7,28	237	157
14300	7,86	226	145
14700	8,50	214	134
15100	9,22	203	124
15500	10,0	192	114
16000	11,0	181	104
16700	12,7	164	89,8
16200	14,7	137	77,7
15100	16,1	116	70,8
14300	17,4	102	65,4
13400	18,9	88,0	60,2

P2Z 269

Mn ₂ [Nm]	i	Pn ₁ [kW]	n ₂ [rpm]
27000	6,44	521	177
28500	7,47	474	153
29000	8,74	413	130
29000	9,49	380	120
29000	10,3	349	110
29000	11,1	324	102
29000	12,0	300	94,8
29000	14,2	255	80,5
27700	16,3	212	70,1
25300	17,5	180	65,3
25500	18,9	168	60,4
21400	20,7	129	55,2

P2Z 199

Mn ₂ [Nm]	i	Pn ₁ [kW]	n ₂ [rpm]
11000	7,91	173	144
11000	8,87	154	129
11000	10,0	137	114
11000	12,0	114	95,2
11000	13,0	105	87,8
11000	14,1	96,9	80,7
11000	17,0	80,5	67,1
11000	19,3	70,8	59,0
10700	20,9	64,1	54,7
10100	22,6	55,8	50,5
8570	23,9	44,7	47,8
8760	26,0	41,9	43,9

P2Z 249

Mn ₂ [Nm]	i	Pn ₁ [kW]	n ₂ [rpm]
16800	7,96	262	143
17700	9,23	238	124
18100	9,96	226	114
18600	10,8	215	106
19100	11,7	203	97,5
19700	12,7	192	89,6
20200	13,9	181	82,1
21200	16,1	164	70,9
20500	18,6	137	61,2
19100	20,4	116	55,9
18100	22,1	102	51,6
17000	24,0	88,1	47,5

P2Z 279

Mn ₂ [Nm]	i	Pn ₁ [kW]	n ₂ [rpm]
33500	7,96	523	143
35200	9,25	473	123
36000	10,8	414	105
36000	11,7	381	97,1
36000	12,8	350	89,2
36000	13,8	325	82,7
36000	14,9	301	76,6
36000	17,5	256	65,1
34300	20,1	212	56,7
31300	21,6	180	52,8
31600	23,4	168	48,8
26500	25,6	129	44,6

P2Z 319

Mn ₂ [Nm]	i	Pn ₁ [kW]	n ₂ [rpm]
38700	6,33	759	180
40600	7,31	691	156
42700	8,50	625	134
44600	9,73	570	117
45900	10,6	539	108
47200	11,6	508	98,7
49400	13,3	462	85,8
50700	14,4	437	78,9
45200	15,5	362	73,5
45700	16,7	340	68,1
40100	19,0	263	60,2
39200	20,5	238	55,7

P2Z 399

Mn ₂ [Nm]	i	Pn ₁ [kW]	n ₂ [rpm]
70700	6,62	1330	172
74100	7,57	1220	151
77700	8,72	1110	131
79600	9,38	1060	122
81600	10,1	1000	113
83800	10,9	952	104
87100	12,3	882	92,9
89200	13,2	839	86,2
86400	15,2	705	74,8
73900	17,2	534	66,3
74700	18,6	499	61,3
73300	20,2	451	56,4

P2Z 349

Mn ₂ [Nm]	i	Pn ₁ [kW]	n ₂ [rpm]
49700	8,14	759	140
52200	9,40	691	121
55000	10,9	626	104
57400	12,5	570	91,1
59000	13,6	539	83,8
60700	14,9	508	76,8
63600	17,1	463	66,7
65200	18,6	436	61,4
58100	20,0	362	57,1
58800	21,5	339	53,0
51600	24,4	263	46,8
50300	26,3	238	43,3

P2Z 409

Mn ₂ [Nm]	i	Pn ₁ [kW]	n ₂ [rpm]
85500	8,01	1330	142
89600	9,16	1220	124
93900	10,6	1110	108
96300	11,4	1050	100
98700	12,2	1000	93,1
101000	13,2	951	86,1
105000	14,8	882	76,8
108000	16,0	839	71,3
105000	18,4	705	61,8
89400	20,8	534	54,8
90300	22,5	499	50,7
88700	24,4	451	46,6

P3Z 179

Mn ₂ [Nm]	i	Pn ₁ [kW]	n ₂ [rpm]
9000	24,5	46,6	46,5
9000	28,0	40,8	40,7
9000	32,1	35,6	35,6
9000	36,9	30,9	30,9
9000	42,9	26,6	26,6
9000	46,4	24,6	24,6
9000	51,4	22,2	22,2
9000	57,7	19,8	19,8
9000	68,2	16,8	16,7
9000	73,9	15,5	15,4
9000	79,8	14,3	14,3
8840	86,2	13,0	13,2

P3Z 219

Mn ₂ [Nm]	i	Pn ₁ [kW]	n ₂ [rpm]
19000	22,6	107	50,5
19000	25,1	96,2	45,4
19000	28,7	84,1	39,7
19000	33,0	73,0	34,5
19000	38,3	62,9	29,7
19000	41,5	58,2	27,5
19000	49,8	48,5	22,9
19000	57,8	41,7	19,7
18400	62,7	37,3	18,2
16100	70,5	29,0	16,2
15500	75,3	26,2	15,1
14600	81,3	22,8	14,0

P3Z 269

Mn ₂ [Nm]	i	Pn ₁ [kW]	n ₂ [rpm]
29000	25,1	147	45,5
29000	28,1	131	40,6
29000	31,7	116	36,0
29000	37,9	97,1	30,1
29000	41,1	89,6	27,7
29000	44,7	82,4	25,5
29000	53,9	68,4	21,2
29000	61,2	60,2	18,6
29000	66,1	55,8	17,3
29000	71,5	51,5	15,9
23900	75,6	40,2	15,1
27200	82,3	42,0	13,9

P3Z 199

Mn ₂ [Nm]	i	Pn ₁ [kW]	n ₂ [rpm]
11000	30,5	45,8	37,4
11000	34,8	40,2	32,8
11000	39,8	35,1	28,6
11000	45,9	30,4	24,8
11000	53,3	26,2	21,4
11000	57,7	24,2	19,8
11000	63,9	21,9	17,8
11000	71,7	19,5	15,9
11000	84,7	16,5	13,5
11000	91,8	15,2	12,4
11000	99,1	14,1	11,5
11000	107	13,0	10,6

P3Z 249

Mn ₂ [Nm]	i	Pn ₁ [kW]	n ₂ [rpm]
24000	28,6	106	39,8
24000	31,8	95,8	35,8
24000	36,4	83,8	31,3
24000	41,9	72,8	27,2
24000	48,6	62,7	23,5
24000	52,6	58,0	21,7
24000	63,1	48,3	18,1
24000	73,3	41,6	15,6
23300	79,4	37,2	14,4
20500	89,4	29,1	12,8
19700	95,4	26,2	11,9
18500	103	22,8	11,1

P3Z 279

Mn ₂ [Nm]	i	Pn ₁ [kW]	n ₂ [rpm]
36000	31,0	147	36,8
36000	34,8	132	32,8
36000	39,2	117	29,1
36000	46,9	97,4	24,3
36000	50,9	89,9	22,4
36000	55,3	82,6	20,6
36000	66,6	68,6	17,1
36000	75,7	60,4	15,1
36000	81,7	55,9	14,0
36000	88,5	51,7	12,9
29600	93,5	40,1	12,2
33700	102	42,0	11,2

P3Z 319

Mn ₂ [Nm]	i	Pn ₁ [kW]	n ₂ [rpm]
55000	24,3	288	47,0
55000	28,2	248	40,5
55000	30,4	230	37,5
55000	32,9	212	34,7
55000	35,7	196	32,0
55000	38,8	180	29,4
55000	42,4	165	26,9
55000	49,1	142	23,2
55000	56,8	123	20,1
55000	62,3	112	18,3
54100	67,4	102	16,9
50700	73,2	87,9	15,6

P3Z 399

Mn ₂ [Nm]	i	Pn ₁ [kW]	n ₂ [rpm]
90000	24,9	458	45,7
90000	29,0	395	39,4
90000	33,9	337	33,7
90000	36,8	311	31,0
90000	40,0	286	28,5
90000	43,2	265	26,4
90000	46,6	245	24,5
90000	54,9	208	20,8
90000	63,0	181	18,1
90000	67,6	169	16,9
90000	73,2	156	15,6
81300	80,0	129	14,2

P3Z 349

Mn ₂ [Nm]	i	Pn ₁ [kW]	n ₂ [rpm]
70000	31,2	285	36,5
70000	36,2	246	31,5
70000	39,1	227	29,2
70000	42,3	210	27,0
70000	45,9	194	24,9
70000	49,9	178	22,9
70000	54,5	163	20,9
70000	63,1	141	18,1
70000	73,0	122	15,6
70000	80,1	111	14,2
69600	86,6	102	13,2
65200	94,1	88,0	12,1

P3Z 409

Mn ₂ [Nm]	i	Pn ₁ [kW]	n ₂ [rpm]
110000	30,2	463	37,8
110000	35,0	399	32,5
110000	41,0	341	27,8
110000	44,5	314	25,6
110000	48,4	289	23,6
110000	52,2	267	21,8
110000	56,4	248	20,2
110000	66,4	210	17,2
110000	76,2	183	15,0
110000	81,8	171	13,9
110000	88,5	158	12,9
98300	96,8	129	11,8

P4Z 219

Mn ₂ [Nm]	i	Pn ₁ [kW]	n ₂ [rpm]
19000	87,8	28,1	13,0
19000	93,4	26,4	12,2
19000	106	23,3	10,8
19000	121	20,4	9,43
19000	139	17,8	8,22
19000	161	15,3	7,10
19000	188	13,1	6,07
19000	204	12,1	5,58
19000	224	11,0	5,09
19000	243	10,2	4,69
19000	293	8,42	3,89
19000	318	7,75	3,58

P4Z 269

Mn ₂ [Nm]	i	Pn ₁ [kW]	n ₂ [rpm]
29000	96,5	39,0	11,8
29000	110	34,2	10,4
29000	126	29,8	9,04
29000	145	25,9	7,85
29000	169	22,3	6,75
29000	183	20,6	6,24
29000	202	18,6	5,64
29000	227	16,6	5,02
29000	268	14,0	4,25
29000	291	12,9	3,92
29000	314	12,0	3,63
29000	339	11,1	3,36

P4Z 319

Mn ₂ [Nm]	i	Pn ₁ [kW]	n ₂ [rpm]
55000	87,4	81,7	13,0
55000	97,0	73,6	11,8
55000	111	64,3	10,3
55000	128	55,9	8,92
55000	148	48,1	7,69
55000	160	44,5	7,11
55000	192	37,1	5,92
55000	224	31,9	5,10
55000	242	29,5	4,71
55000	273	26,2	4,18
53400	291	23,8	3,92
55000	314	22,7	3,63

P4Z 249

Mn ₂ [Nm]	i	Pn ₁ [kW]	n ₂ [rpm]
24000	111	28,0	10,2
24000	118	26,3	9,63
24000	134	23,2	8,48
24000	153	20,3	7,44
24000	176	17,7	6,48
24000	204	15,3	5,60
24000	238	13,1	4,78
24000	259	12,0	4,40
24000	284	11,0	4,01
24000	308	10,1	3,70
24000	371	8,38	3,07
24000	403	7,72	2,83

P4Z 279

Mn ₂ [Nm]	i	Pn ₁ [kW]	n ₂ [rpm]
36000	119	39,1	9,54
36000	136	34,3	8,37
36000	156	29,9	7,31
36000	180	26,0	6,34
36000	209	22,4	5,46
36000	226	20,7	5,05
36000	250	18,7	4,56
36000	281	16,6	4,06
36000	332	14,1	3,43
36000	360	13,0	3,17
36000	388	12,0	2,94
36000	419	11,1	2,72

P4Z 349

Mn ₂ [Nm]	i	Pn ₁ [kW]	n ₂ [rpm]
70000	112	80,9	10,1
70000	125	72,8	9,14
70000	143	63,6	7,99
70000	164	55,3	6,94
70000	191	47,6	5,98
70000	206	44,1	5,53
70000	247	36,7	4,61
70000	287	31,6	3,97
70000	312	29,2	3,66
70000	350	25,9	3,25
68700	374	23,8	3,05
70000	404	22,5	2,82

P4Z 399

Mn ₂ [Nm]	i	Pn ₁ [kW]	n ₂ [rpm]
90000	97,1	120	11,7
90000	109	107	10,5
90000	123	95,1	9,28
90000	147	79,4	7,76
90000	159	73,3	7,15
90000	173	67,4	6,58
90000	209	56,0	5,46
90000	237	49,2	4,81
90000	256	45,6	4,45
90000	277	42,1	4,11
90000	293	39,9	3,89
90000	319	36,6	3,57

P4Z 409

Mn ₂ [Nm]	i	Pn ₁ [kW]	n ₂ [rpm]
110000	117	121	9,70
110000	132	108	8,66
110000	149	96,0	7,67
110000	178	80,3	6,41
110000	193	74,0	5,91
110000	210	68,1	5,44
110000	252	56,5	4,52
110000	287	49,7	3,97
110000	310	46,1	3,68
110000	335	42,6	3,40
110000	354	40,2	3,22
110000	386	37,0	2,95

P2Z 179

Mn ₂ [Nm]	i	Pn ₁ [kW]	n ₂ [rpm]
9000	6,37	139	141
9000	7,14	124	126
9000	8,06	110	112
9000	9,64	91,7	93,4
9000	10,5	84,5	86,1
9000	11,4	77,7	79,2
9000	13,7	64,5	65,7
9000	15,6	56,8	57,8
8770	16,8	51,3	53,6
8280	18,2	44,7	49,5
6990	19,2	35,7	46,9
7170	20,9	33,6	43,0

P2Z 219

Mn ₂ [Nm]	i	Pn ₁ [kW]	n ₂ [rpm]
15100	6,28	236	143
15900	7,28	214	124
16300	7,86	204	115
16800	8,50	193	106
17200	9,22	183	97,6
17700	10,0	173	89,7
18200	11,0	163	82,2
17500	12,7	135	70,9
16400	14,7	110	61,3
15300	16,1	93,0	55,9
14500	17,4	81,7	51,7
13600	18,9	70,5	47,5

P2Z 269

Mn ₂ [Nm]	i	Pn ₁ [kW]	n ₂ [rpm]
29000	6,44	442	140
29000	7,47	381	120
29000	8,74	326	103
29000	9,49	300	94,8
29000	10,3	276	87,1
29000	11,1	256	80,8
29000	12,0	237	74,8
29000	14,2	201	63,6
28100	16,3	169	55,4
25700	17,5	145	51,6
25900	18,9	134	47,7
21700	20,7	103	43,6

P2Z 199

Mn ₂ [Nm]	i	Pn ₁ [kW]	n ₂ [rpm]
11000	7,91	137	114
11000	8,87	122	101
11000	10,0	108	89,9
11000	12,0	90,1	75,1
11000	13,0	83,2	69,3
11000	14,1	76,5	63,7
11000	17,0	63,5	52,9
11000	19,3	55,9	46,6
10900	20,9	51,3	43,2
10300	22,6	44,7	39,8
8680	23,9	35,7	37,7
8910	26,0	33,7	34,6

P2Z 249

Mn ₂ [Nm]	i	Pn ₁ [kW]	n ₂ [rpm]
19200	7,96	237	113
20200	9,23	214	97,5
20700	9,96	204	90,4
21300	10,8	194	83,5
21800	11,7	183	77,0
22400	12,7	173	70,8
23100	13,9	163	64,8
22200	16,1	135	55,9
20800	18,6	110	48,3
19300	20,4	92,8	44,1
18300	22,1	81,3	40,7
17200	24,0	70,4	37,5

P2Z 279

Mn ₂ [Nm]	i	Pn ₁ [kW]	n ₂ [rpm]
36000	7,96	444	113
36000	9,25	382	97,3
36000	10,8	327	83,3
36000	11,7	301	76,7
36000	12,8	277	70,4
36000	13,8	256	65,3
36000	14,9	237	60,4
36000	17,5	202	51,4
34700	20,1	169	44,7
31800	21,6	144	41,7
32000	23,4	134	38,5
26900	25,6	103	35,2

P2Z 319

Mn ₂ [Nm]	i	Pn ₁ [kW]	n ₂ [rpm]
44200	6,33	685	142
46400	7,31	622	123
48800	8,50	563	106
50900	9,73	514	92,5
52400	10,6	486	85,1
53900	11,6	458	77,9
50900	13,3	376	67,7
51200	14,4	348	62,3
45800	15,5	290	58,0
46400	16,7	272	53,8
40700	19,0	211	47,5
39600	20,5	190	43,9

P2Z 399

Mn ₂ [Nm]	i	Pn ₁ [kW]	n ₂ [rpm]
80700	6,62	1200	136
84600	7,57	1100	119
88700	8,72	998	103
90000	9,38	942	95,9
90000	10,1	873	88,9
90000	10,9	808	82,3
90000	12,3	720	73,3
90000	13,2	668	68,1
88000	15,2	567	59,1
75100	17,2	428	52,3
75800	18,6	400	48,4
74300	20,2	361	44,5

P2Z 349

Mn ₂ [Nm]	i	Pn ₁ [kW]	n ₂ [rpm]
56800	8,14	714	111
59700	9,40	650	95,7
62700	10,9	588	82,4
65500	12,5	536	71,9
67300	13,6	507	66,1
69300	14,9	478	60,6
65400	17,1	392	52,7
65900	18,6	364	48,5
58900	20,0	302	45,1
59600	21,5	284	41,8
52300	24,4	220	36,9
51000	26,3	198	34,2

P2Z 409

Mn ₂ [Nm]	i	Pn ₁ [kW]	n ₂ [rpm]
97600	8,01	1200	112
102000	9,16	1100	98,3
107000	10,6	997	85,3
110000	11,4	951	79,3
110000	12,2	882	73,5
110000	13,2	816	68,0
110000	14,8	728	60,6
110000	16,0	675	56,3
106000	18,4	566	48,8
90800	20,8	429	43,3
91800	22,5	400	40,0
89900	24,4	361	36,8

P3Z 179

Mn ₂ [Nm]	i	Pn ₁ [kW]	n ₂ [rpm]
9000	24,5	36,8	36,7
9000	28,0	32,2	32,2
9000	32,1	28,1	28,1
9000	36,9	24,4	24,4
9000	42,9	21,0	21,0
9000	46,4	19,4	19,4
9000	51,4	17,5	17,5
9000	57,7	15,6	15,6
9000	68,2	13,2	13,2
9000	73,9	12,2	12,2
9000	79,8	11,3	11,3
9000	86,2	10,5	10,4

P3Z 219

Mn ₂ [Nm]	i	Pn ₁ [kW]	n ₂ [rpm]
19000	22,6	84,3	39,8
19000	25,1	75,9	35,9
19000	28,7	66,4	31,4
19000	33,0	57,7	27,2
19000	38,3	49,7	23,5
19000	41,5	45,9	21,7
19000	49,8	38,3	18,1
19000	57,8	32,9	15,6
18700	62,7	29,9	14,4
16400	70,5	23,3	12,8
15700	75,3	20,9	12,0
14900	81,3	18,4	11,1

P3Z 269

Mn ₂ [Nm]	i	Pn ₁ [kW]	n ₂ [rpm]
29000	25,1	116	35,9
29000	28,1	104	32,1
29000	31,7	91,7	28,4
29000	37,9	76,7	23,7
29000	41,1	70,7	21,9
29000	44,7	65,0	20,1
29000	53,9	54,0	16,7
29000	61,2	47,5	14,7
29000	66,1	44,0	13,6
29000	71,5	40,6	12,6
24300	75,6	32,2	11,9
27700	82,3	33,7	10,9

P3Z 199

Mn ₂ [Nm]	i	Pn ₁ [kW]	n ₂ [rpm]
11000	30,5	36,2	29,5
11000	34,8	31,7	25,9
11000	39,8	27,7	22,6
11000	45,9	24,0	19,6
11000	53,3	20,7	16,9
11000	57,7	19,1	15,6
11000	63,9	17,3	14,1
11000	71,7	15,4	12,6
11000	84,7	13,0	10,6
11000	91,8	12,0	9,81
11000	99,1	11,1	9,09
11000	107	10,3	8,41

P3Z 249

Mn ₂ [Nm]	i	Pn ₁ [kW]	n ₂ [rpm]
24000	28,6	84,0	31,4
24000	31,8	75,6	28,3
24000	36,4	66,1	24,7
24000	41,9	57,4	21,5
24000	48,6	49,5	18,5
24000	52,6	45,8	17,1
24000	63,1	38,1	14,3
24000	73,3	32,8	12,3
23700	79,4	29,9	11,3
20700	89,4	23,2	10,1
20000	95,4	21,0	9,43
18900	103	18,4	8,74

P3Z 279

Mn ₂ [Nm]	i	Pn ₁ [kW]	n ₂ [rpm]
36000	31,0	116	29,0
36000	34,8	104	25,9
36000	39,2	92,0	22,9
36000	46,9	76,9	19,2
36000	50,9	70,9	17,7
36000	55,3	65,2	16,3
36000	66,6	54,2	13,5
36000	75,7	47,7	11,9
36000	81,7	44,2	11,0
36000	88,5	40,8	10,2
30000	93,5	32,2	9,63
34200	102	33,7	8,84

P3Z 319

Mn ₂ [Nm]	i	Pn ₁ [kW]	n ₂ [rpm]
55000	24,3	227	37,1
55000	28,2	196	32,0
55000	30,4	181	29,6
55000	32,9	168	27,4
55000	35,7	155	25,2
55000	38,8	142	23,2
55000	42,4	130	21,3
55000	49,1	112	18,3
55000	56,8	97,1	15,8
55000	62,3	88,6	14,5
54800	67,4	81,5	13,4
51400	73,2	70,4	12,3

P3Z 399

Mn ₂ [Nm]	i	Pn ₁ [kW]	n ₂ [rpm]
90000	24,9	362	36,1
90000	29,0	312	31,1
90000	33,9	266	26,6
90000	36,8	245	24,5
90000	40,0	226	22,5
90000	43,2	209	20,8
90000	46,6	194	19,3
90000	54,9	164	16,4
90000	63,0	143	14,3
90000	67,6	133	13,3
90000	73,2	123	12,3
82500	80,0	103	11,2

P3Z 349

Mn ₂ [Nm]	i	Pn ₁ [kW]	n ₂ [rpm]
70000	31,2	225	28,8
70000	36,2	194	24,9
70000	39,1	180	23,0
70000	42,3	166	21,3
70000	45,9	153	19,6
70000	49,9	141	18,0
70000	54,5	129	16,5
70000	63,1	111	14,3
70000	73,0	96,1	12,3
70000	80,1	87,7	11,2
70000	86,6	81,0	10,4
66100	94,1	70,4	9,56

P3Z 409

Mn ₂ [Nm]	i	Pn ₁ [kW]	n ₂ [rpm]
110000	30,2	366	29,8
110000	35,0	315	25,7
110000	41,0	269	22,0
110000	44,5	248	20,2
110000	48,4	228	18,6
110000	52,2	211	17,2
110000	56,4	196	16,0
110000	66,4	166	13,6
110000	76,2	145	11,8
110000	81,8	135	11,0
110000	88,5	125	10,2
99800	96,8	103	9,30

P4Z 219

Mn ₂ [Nm]	i	Pn ₁ [kW]	n ₂ [rpm]
19000	87,8	22,2	10,3
19000	93,4	20,8	9,64
19000	106	18,4	8,49
19000	121	16,1	7,44
19000	139	14,0	6,49
19000	161	12,1	5,60
19000	188	10,4	4,79
19000	204	9,53	4,41
19000	224	8,69	4,02
19000	243	8,01	3,71
19000	293	6,64	3,07
19000	318	6,12	2,83

P4Z 269

Mn ₂ [Nm]	i	Pn ₁ [kW]	n ₂ [rpm]
29000	96,5	30,8	9,32
29000	110	27,0	8,18
29000	126	23,6	7,14
29000	145	20,4	6,19
29000	169	17,6	5,33
29000	183	16,3	4,93
29000	202	14,7	4,45
29000	227	13,1	3,96
29000	268	11,1	3,35
29000	291	10,2	3,10
29000	314	9,47	2,87
29000	339	8,76	2,65

P4Z 319

Mn ₂ [Nm]	i	Pn ₁ [kW]	n ₂ [rpm]
55000	87,4	64,5	10,3
55000	97,0	58,1	9,28
55000	111	50,8	8,11
55000	128	44,1	7,04
55000	148	38,0	6,07
55000	160	35,1	5,61
55000	192	29,3	4,68
55000	224	25,2	4,03
55000	242	23,3	3,71
55000	273	20,7	3,30
54200	291	19,1	3,09
55000	314	17,9	2,86

P4Z 249

Mn ₂ [Nm]	i	Pn ₁ [kW]	n ₂ [rpm]
24000	111	22,1	8,08
24000	118	20,8	7,60
24000	134	18,3	6,70
24000	153	16,0	5,87
24000	176	14,0	5,12
24000	204	12,1	4,42
24000	238	10,3	3,78
24000	259	9,49	3,47
24000	284	8,65	3,17
24000	308	7,98	2,92
24000	371	6,62	2,42
24000	403	6,10	2,23

P4Z 279

Mn ₂ [Nm]	i	Pn ₁ [kW]	n ₂ [rpm]
36000	119	30,9	7,54
36000	136	27,1	6,61
36000	156	23,6	5,77
36000	180	20,5	5,01
36000	209	17,7	4,31
36000	226	16,3	3,98
36000	250	14,7	3,60
36000	281	13,1	3,20
36000	332	11,1	2,71
36000	360	10,3	2,50
36000	388	9,50	2,32
36000	419	8,79	2,15

P4Z 349

Mn ₂ [Nm]	i	Pn ₁ [kW]	n ₂ [rpm]
70000	112	63,8	8,01
70000	125	57,5	7,22
70000	143	50,2	6,31
70000	164	43,6	5,48
70000	191	37,6	4,72
70000	206	34,8	4,37
70000	247	29,0	3,64
70000	287	24,9	3,13
70000	312	23,0	2,89
70000	350	20,5	2,57
69700	374	19,1	2,41
70000	404	17,7	2,23

P4Z 399

Mn ₂ [Nm]	i	Pn ₁ [kW]	n ₂ [rpm]
90000	97,1	94,9	9,27
90000	109	84,7	8,27
90000	123	75,0	7,33
90000	147	62,7	6,12
90000	159	57,9	5,65
90000	173	53,2	5,19
90000	209	44,2	4,31
90000	237	38,9	3,79
90000	256	36,0	3,52
90000	277	33,3	3,25
90000	293	31,5	3,07
90000	319	28,9	2,82

P4Z 409

Mn ₂ [Nm]	i	Pn ₁ [kW]	n ₂ [rpm]
110000	117	95,9	7,66
110000	132	85,6	6,84
110000	149	75,8	6,06
110000	178	63,4	5,06
110000	193	58,5	4,67
110000	210	53,8	4,29
110000	252	44,6	3,57
110000	287	39,3	3,14
110000	310	36,4	2,91
110000	335	33,6	2,68
110000	354	31,8	2,54
110000	386	29,2	2,33

P2Z 179

Mn ₂ [Nm]	i	Pn ₁ [kW]	n ₂ [rpm]
9000	6,37	108	110
9000	7,14	96,2	98,0
9000	8,06	85,3	86,8
9000	9,64	71,3	72,6
9000	10,5	65,8	67,0
9000	11,4	60,4	61,6
9000	13,7	50,2	51,1
9000	15,6	44,2	45,0
8820	16,8	40,1	41,7
8330	18,2	35,0	38,5
7030	19,2	27,9	36,4
7220	20,9	26,3	33,4

P2Z 219

Mn ₂ [Nm]	i	Pn ₁ [kW]	n ₂ [rpm]
16000	6,28	194	111
16800	7,28	176	96,2
17300	7,86	168	89,1
17700	8,50	159	82,4
18200	9,22	150	75,9
18700	10,0	142	69,8
19000	11,0	132	63,9
17600	12,7	106	55,2
16500	14,7	85,6	47,7
15300	16,1	72,6	43,5
14500	17,4	63,6	40,2
13700	18,9	55,1	37,0

P2Z 269

Mn ₂ [Nm]	i	Pn ₁ [kW]	n ₂ [rpm]
29000	6,44	344	109
29000	7,47	296	93,7
29000	8,74	253	80,1
29000	9,49	233	73,8
29000	10,3	214	67,8
29000	11,1	199	62,8
29000	12,0	184	58,2
29000	14,2	156	49,4
28200	16,3	132	43,1
25900	17,5	113	40,1
26000	18,9	105	37,1
21900	20,7	80,8	33,9

P2Z 199

Mn ₂ [Nm]	i	Pn ₁ [kW]	n ₂ [rpm]
11000	7,91	106	88,5
11000	8,87	94,7	78,9
11000	10,0	83,9	69,9
11000	12,0	70,1	58,4
11000	13,0	64,7	53,9
11000	14,1	59,5	49,6
11000	17,0	49,4	41,2
11000	19,3	43,4	36,2
11000	20,9	40,1	33,6
10400	22,6	35,0	31,0
8730	23,9	27,9	29,4
8960	26,0	26,3	26,9

P2Z 249

Mn ₂ [Nm]	i	Pn ₁ [kW]	n ₂ [rpm]
20300	7,96	194	87,9
21300	9,23	176	75,8
21900	9,96	168	70,3
22500	10,8	159	64,9
23100	11,7	151	59,9
23700	12,7	142	55,0
24000	13,9	132	50,4
22300	16,1	106	43,5
20900	18,6	85,5	37,6
19400	20,4	72,6	34,3
18400	22,1	63,6	31,7
17300	24,0	55,0	29,2

P2Z 279

Mn ₂ [Nm]	i	Pn ₁ [kW]	n ₂ [rpm]
36000	7,96	345	87,9
36000	9,25	297	75,7
36000	10,8	254	64,8
36000	11,7	234	59,6
36000	12,8	215	54,8
36000	13,8	199	50,8
36000	14,9	185	47,0
36000	17,5	157	40,0
34900	20,1	132	34,8
32000	21,6	113	32,4
32200	23,4	105	30,0
27000	25,6	80,7	27,4

P2Z 319

Mn ₂ [Nm]	i	Pn ₁ [kW]	n ₂ [rpm]
46700	6,33	563	111
49000	7,31	512	95,8
51500	8,50	463	82,4
53800	9,73	422	71,9
55000	10,6	397	66,2
55000	11,6	364	60,6
51200	13,3	294	52,7
51500	14,4	272	48,5
46100	15,5	227	45,1
46600	16,7	212	41,8
40900	19,0	165	36,9
39900	20,5	149	34,2

P2Z 399

Mn ₂ [Nm]	i	Pn ₁ [kW]	n ₂ [rpm]
85300	6,62	983	106
89300	7,57	901	92,5
90000	8,72	788	80,3
90000	9,38	733	74,6
90000	10,1	679	69,2
90000	10,9	628	64,0
90000	12,3	560	57,0
90000	13,2	520	53,0
88500	15,2	443	45,9
75500	17,2	335	40,7
76300	18,6	313	37,6
74700	20,2	282	34,6

P2Z 349

Mn ₂ [Nm]	i	Pn ₁ [kW]	n ₂ [rpm]
60000	8,14	562	86,0
63000	9,40	512	74,5
66300	10,9	463	64,1
69200	12,5	422	56,0
70000	13,6	393	51,4
70000	14,9	360	47,1
65700	17,1	294	41,0
66200	18,6	272	37,7
59300	20,0	227	35,1
59900	21,5	212	32,5
52600	24,4	165	28,7
51200	26,3	148	26,6

P2Z 409

Mn ₂ [Nm]	i	Pn ₁ [kW]	n ₂ [rpm]
103000	8,01	982	87,4
108000	9,16	900	76,4
110000	10,6	796	66,4
110000	11,4	740	61,7
110000	12,2	686	57,2
110000	13,2	634	52,9
110000	14,8	566	47,2
110000	16,0	525	43,8
107000	18,4	443	38,0
91400	20,8	335	33,7
92300	22,5	313	31,1
90400	24,4	282	28,6

P3Z 179

Mn ₂ [Nm]	i	Pn ₁ [kW]	n ₂ [rpm]
9000	24,5	28,6	28,5
9000	28,0	25,1	25,0
9000	32,1	21,9	21,8
9000	36,9	19,0	18,9
9000	42,9	16,4	16,3
9000	46,4	15,1	15,1
9000	51,4	13,6	13,6
9000	57,7	12,2	12,1
9000	68,2	10,3	10,3
9000	73,9	9,50	9,47
9000	79,8	8,80	8,78
9000	86,2	8,14	8,12

P3Z 219

Mn ₂ [Nm]	i	Pn ₁ [kW]	n ₂ [rpm]
19000	22,6	65,6	31,0
19000	25,1	59,0	27,9
19000	28,7	51,6	24,4
19000	33,0	44,8	21,2
19000	38,3	38,6	18,3
19000	41,5	35,7	16,9
19000	49,8	29,8	14,1
19000	57,8	25,6	12,1
18800	62,7	23,4	11,2
16500	70,5	18,2	9,93
15800	75,3	16,4	9,30
15000	81,3	14,4	8,62

P3Z 269

Mn ₂ [Nm]	i	Pn ₁ [kW]	n ₂ [rpm]
29000	25,1	90,2	27,9
29000	28,1	80,5	24,9
29000	31,7	71,3	22,1
29000	37,9	59,6	18,5
29000	41,1	55,0	17,0
29000	44,7	50,6	15,7
29000	53,9	42,0	13,0
29000	61,2	36,9	11,4
29000	66,1	34,2	10,6
29000	71,5	31,6	9,79
24400	75,6	25,2	9,27
27900	82,3	26,4	8,50

P3Z 199

Mn ₂ [Nm]	i	Pn ₁ [kW]	n ₂ [rpm]
11000	30,5	28,1	23,0
11000	34,8	24,7	20,1
11000	39,8	21,5	17,6
11000	45,9	18,7	15,3
11000	53,3	16,1	13,1
11000	57,7	14,9	12,1
11000	63,9	13,4	11,0
11000	71,7	12,0	9,76
11000	84,7	10,1	8,26
11000	91,8	9,35	7,63
11000	99,1	8,66	7,07
11000	107	8,01	6,54

P3Z 249

Mn ₂ [Nm]	i	Pn ₁ [kW]	n ₂ [rpm]
24000	28,6	65,3	24,4
24000	31,8	58,8	22,0
24000	36,4	51,4	19,2
24000	41,9	44,7	16,7
24000	48,6	38,5	14,4
24000	52,6	35,6	13,3
24000	63,1	29,7	11,1
24000	73,3	25,5	9,55
23900	79,4	23,4	8,81
20900	89,4	18,2	7,83
20100	95,4	16,4	7,34
19000	103	14,4	6,79

P3Z 279

Mn ₂ [Nm]	i	Pn ₁ [kW]	n ₂ [rpm]
36000	31,0	90,5	22,6
36000	34,8	80,8	20,1
36000	39,2	71,6	17,8
36000	46,9	59,8	14,9
36000	50,9	55,2	13,8
36000	55,3	50,7	12,7
36000	66,6	42,1	10,5
36000	75,7	37,1	9,24
36000	81,7	34,4	8,57
36000	88,5	31,7	7,91
30200	93,5	25,1	7,49
34500	102	26,4	6,87

P3Z 319

Mn ₂ [Nm]	i	Pn ₁ [kW]	n ₂ [rpm]
55000	24,3	177	28,8
55000	28,2	152	24,9
55000	30,4	141	23,0
55000	32,9	130	21,3
55000	35,7	120	19,6
55000	38,8	111	18,0
55000	42,4	101	16,5
55000	49,1	87,4	14,3
55000	56,8	75,5	12,3
55000	62,3	68,9	11,2
55000	67,4	63,7	10,4
51700	73,2	55,1	9,56

P3Z 399

Mn ₂ [Nm]	i	Pn ₁ [kW]	n ₂ [rpm]
90000	24,9	281	28,1
90000	29,0	242	24,2
90000	33,9	207	20,7
90000	36,8	191	19,0
90000	40,0	175	17,5
90000	43,2	163	16,2
90000	46,6	151	15,0
90000	54,9	128	12,8
90000	63,0	111	11,1
90000	67,6	104	10,4
90000	73,2	95,9	9,57
83000	80,0	80,9	8,75

P3Z 349

Mn ₂ [Nm]	i	Pn ₁ [kW]	n ₂ [rpm]
70000	31,2	175	22,4
70000	36,2	151	19,3
70000	39,1	140	17,9
70000	42,3	129	16,6
70000	45,9	119	15,3
70000	49,9	109	14,0
70000	54,5	100	12,9
70000	63,1	86,5	11,1
70000	73,0	74,8	9,59
70000	80,1	68,2	8,74
70000	86,6	63,0	8,08
66600	94,1	55,1	7,44

P3Z 409

Mn ₂ [Nm]	i	Pn ₁ [kW]	n ₂ [rpm]
110000	30,2	284	23,2
110000	35,0	245	20,0
110000	41,0	209	17,1
110000	44,5	193	15,7
110000	48,4	177	14,5
110000	52,2	164	13,4
110000	56,4	152	12,4
110000	66,4	129	10,5
110000	76,2	113	9,19
110000	81,8	105	8,56
110000	88,5	96,9	7,91
100000	96,8	80,9	7,23

P4Z 219

Mn ₂ [Nm]	i	Pn ₁ [kW]	n ₂ [rpm]
19000	87,8	17,2	7,97
19000	93,4	16,2	7,49
19000	106	14,3	6,60
19000	121	12,5	5,79
19000	139	10,9	5,04
19000	161	9,43	4,36
19000	188	8,06	3,72
19000	204	7,41	3,43
19000	224	6,76	3,12
19000	243	6,23	2,88
19000	293	5,17	2,39
19000	318	4,76	2,20

P4Z 269

Mn ₂ [Nm]	i	Pn ₁ [kW]	n ₂ [rpm]
29000	96,5	23,9	7,25
29000	110	21,0	6,36
29000	126	18,3	5,55
29000	145	15,9	4,82
29000	169	13,7	4,15
29000	183	12,7	3,83
29000	202	11,4	3,46
29000	227	10,2	3,08
29000	268	8,61	2,61
29000	291	7,95	2,41
29000	314	7,36	2,23
29000	339	6,81	2,06

P4Z 319

Mn ₂ [Nm]	i	Pn ₁ [kW]	n ₂ [rpm]
55000	87,4	50,2	8,01
55000	97,0	45,2	7,22
55000	111	39,5	6,31
55000	128	34,3	5,48
55000	148	29,6	4,72
55000	160	27,3	4,37
55000	192	22,8	3,64
55000	224	19,6	3,13
55000	242	18,1	2,89
55000	273	16,1	2,57
54500	291	14,9	2,41
55000	314	13,9	2,23

P4Z 249

Mn ₂ [Nm]	i	Pn ₁ [kW]	n ₂ [rpm]
24000	111	17,2	6,29
24000	118	16,1	5,91
24000	134	14,2	5,21
24000	153	12,5	4,57
24000	176	10,9	3,98
24000	204	9,39	3,44
24000	238	8,03	2,94
24000	259	7,38	2,70
24000	284	6,73	2,46
24000	308	6,21	2,27
24000	371	5,15	1,88
24000	403	4,74	1,74

P4Z 279

Mn ₂ [Nm]	i	Pn ₁ [kW]	n ₂ [rpm]
36000	119	24,0	5,86
36000	136	21,1	5,14
36000	156	18,4	4,49
36000	180	16,0	3,89
36000	209	13,7	3,35
36000	226	12,7	3,10
36000	250	11,5	2,80
36000	281	10,2	2,49
36000	332	8,64	2,11
36000	360	7,98	1,95
36000	388	7,39	1,80
36000	419	6,84	1,67

P4Z 349

Mn ₂ [Nm]	i	Pn ₁ [kW]	n ₂ [rpm]
70000	112	49,6	6,23
70000	125	44,7	5,61
70000	143	39,1	4,91
70000	164	33,9	4,26
70000	191	29,3	3,67
70000	206	27,1	3,40
70000	247	22,5	2,83
70000	287	19,4	2,43
70000	312	17,9	2,25
70000	350	15,9	2,00
70000	374	14,9	1,87
70000	404	13,8	1,73

P4Z 399

Mn ₂ [Nm]	i	Pn ₁ [kW]	n ₂ [rpm]
90000	97,1	73,8	7,21
90000	109	65,9	6,43
90000	123	58,4	5,70
90000	147	48,8	4,76
90000	159	45,0	4,39
90000	173	41,4	4,04
90000	209	34,4	3,35
90000	237	30,2	2,95
90000	256	28,0	2,74
90000	277	25,9	2,53
90000	293	24,5	2,39
90000	319	22,5	2,19

P4Z 409

Mn ₂ [Nm]	i	Pn ₁ [kW]	n ₂ [rpm]
110000	117	74,6	5,96
110000	132	66,6	5,32
110000	149	59,0	4,71
110000	178	49,3	3,94
110000	193	45,5	3,63
110000	210	41,8	3,34
110000	252	34,7	2,77
110000	287	30,5	2,44
110000	310	28,3	2,26
110000	335	26,1	2,09
110000	354	24,7	1,98
110000	386	22,7	1,81

P2Z 179

Mn ₂ [Nm]	i	Pn ₁ [kW]	n ₂ [rpm]
9000	6,37	77,1	78,5
9000	7,14	68,7	70,0
9000	8,06	60,9	62,0
9000	9,64	50,9	51,9
9000	10,5	47,0	47,8
9000	11,4	43,2	44,0
9000	13,7	35,9	36,5
9000	15,6	31,5	32,1
9000	16,8	29,2	29,8
8510	18,2	25,5	27,5
7140	19,2	20,3	26,0
7380	20,9	19,2	23,9

P2Z 219

Mn ₂ [Nm]	i	Pn ₁ [kW]	n ₂ [rpm]
18600	6,28	162	79,6
19000	7,28	142	68,7
19000	7,86	132	63,6
19000	8,50	122	58,8
19000	9,22	112	54,2
19000	10,0	103	49,9
19000	11,0	94,6	45,7
17800	12,7	76,7	39,4
16800	14,7	62,3	34,1
15600	16,1	52,8	31,1
14800	17,4	46,3	28,7
14000	18,9	40,2	26,4

P2Z 269

Mn ₂ [Nm]	i	Pn ₁ [kW]	n ₂ [rpm]
29000	6,44	246	77,6
29000	7,47	212	66,9
29000	8,74	181	57,2
29000	9,49	167	52,7
29000	10,3	153	48,4
29000	11,1	142	44,9
29000	12,0	131	41,6
29000	14,2	112	35,3
28700	16,3	96,1	30,8
26200	17,5	81,9	28,7
26500	18,9	76,5	26,5
22300	20,7	58,9	24,2

P2Z 199

Mn ₂ [Nm]	i	Pn ₁ [kW]	n ₂ [rpm]
11000	7,91	75,8	63,2
11000	8,87	67,6	56,4
11000	10,0	59,9	50,0
11000	12,0	50,1	41,7
11000	13,0	46,2	38,5
11000	14,1	42,5	35,4
11000	17,0	35,3	29,4
11000	19,3	31,0	25,9
11000	20,9	28,8	24,0
10600	22,6	25,5	22,1
8870	23,9	20,3	21,0
9160	26,0	19,2	19,2

P2Z 249

Mn ₂ [Nm]	i	Pn ₁ [kW]	n ₂ [rpm]
23600	7,96	162	62,8
24000	9,23	142	54,2
24000	9,96	131	50,2
24000	10,8	121	46,4
24000	11,7	112	42,8
24000	12,7	103	39,3
24000	13,9	94,3	36,0
22600	16,1	76,6	31,1
21300	18,6	62,2	26,9
19800	20,4	52,8	24,5
18800	22,1	46,3	22,6
17700	24,0	40,1	20,8

P2Z 279

Mn ₂ [Nm]	i	Pn ₁ [kW]	n ₂ [rpm]
36000	7,96	247	62,8
36000	9,25	212	54,1
36000	10,8	182	46,3
36000	11,7	167	42,6
36000	12,8	154	39,1
36000	13,8	142	36,3
36000	14,9	132	33,6
36000	17,5	112	28,5
35500	20,1	96,2	24,9
32400	21,6	81,8	23,1
32800	23,4	76,5	21,4
27600	25,6	58,8	19,6

P2Z 319

Mn ₂ [Nm]	i	Pn ₁ [kW]	n ₂ [rpm]
54400	6,33	468	79,0
55000	7,31	410	68,4
55000	8,50	353	58,8
55000	9,73	308	51,4
55000	10,6	284	47,3
55000	11,6	260	43,3
51900	13,3	213	37,6
52200	14,4	197	34,6
46700	15,5	164	32,2
47200	16,7	154	29,9
41400	19,0	119	26,4
40500	20,5	108	24,4

P2Z 399

Mn ₂ [Nm]	i	Pn ₁ [kW]	n ₂ [rpm]
90000	6,62	741	75,5
90000	7,57	648	66,1
90000	8,72	563	57,3
90000	9,38	523	53,3
90000	10,1	485	49,4
90000	10,9	449	45,7
90000	12,3	400	40,7
90000	13,2	371	37,8
89900	15,2	322	32,8
76700	17,2	243	29,1
77400	18,6	227	26,9
75900	20,2	205	24,7

P2Z 349

Mn ₂ [Nm]	i	Pn ₁ [kW]	n ₂ [rpm]
69900	8,14	468	61,4
70000	9,40	406	53,2
70000	10,9	350	45,8
70000	12,5	305	40,0
70000	13,6	281	36,7
70000	14,9	257	33,7
66800	17,1	213	29,3
67100	18,6	197	26,9
60100	20,0	164	25,1
60700	21,5	154	23,2
53200	24,4	119	20,5
52100	26,3	108	19,0

P2Z 409

Mn ₂ [Nm]	i	Pn ₁ [kW]	n ₂ [rpm]
110000	8,01	749	62,4
110000	9,16	655	54,6
110000	10,6	569	47,4
110000	11,4	529	44,1
110000	12,2	490	40,8
110000	13,2	453	37,8
110000	14,8	404	33,7
110000	16,0	375	31,3
109000	18,4	322	27,1
92700	20,8	243	24,0
93600	22,5	227	22,2
91900	24,4	205	20,5

P3Z 179

Mn ₂ [Nm]	i	Pn ₁ [kW]	n ₂ [rpm]
9000	24,5	20,4	20,4
9000	28,0	17,9	17,9
9000	32,1	15,6	15,6
9000	36,9	13,6	13,5
9000	42,9	11,7	11,7
9000	46,4	10,8	10,8
9000	51,4	9,75	9,72
9000	57,7	8,68	8,66
9000	68,2	7,35	7,33
9000	73,9	6,79	6,77
9000	79,8	6,28	6,27
9000	86,2	5,82	5,80

P3Z 219

Mn ₂ [Nm]	i	Pn ₁ [kW]	n ₂ [rpm]
19000	22,6	46,8	22,1
19000	25,1	42,2	19,9
19000	28,7	36,9	17,4
19000	33,0	32,0	15,1
19000	38,3	27,6	13,0
19000	41,5	25,5	12,1
19000	49,8	21,3	10,0
19000	57,8	18,3	8,65
19000	62,7	16,9	7,98
16700	70,5	13,2	7,09
16000	75,3	11,8	6,64
15400	81,3	10,5	6,15

P3Z 269

Mn ₂ [Nm]	i	Pn ₁ [kW]	n ₂ [rpm]
29000	25,1	64,5	20,0
29000	28,1	57,5	17,8
29000	31,7	51,0	15,8
29000	37,9	42,6	13,2
29000	41,1	39,3	12,2
29000	44,7	36,1	11,2
29000	53,9	30,0	9,29
29000	61,2	26,4	8,17
29000	66,1	24,5	7,57
29000	71,5	22,6	6,99
24800	75,6	18,2	6,62
28500	82,3	19,3	6,07

P3Z 199

Mn ₂ [Nm]	i	Pn ₁ [kW]	n ₂ [rpm]
11000	30,5	20,1	16,4
11000	34,8	17,6	14,4
11000	39,8	15,4	12,6
11000	45,9	13,4	10,9
11000	53,3	11,5	9,38
11000	57,7	10,6	8,67
11000	63,9	9,59	7,83
11000	71,7	8,55	6,97
11000	84,7	7,23	5,90
11000	91,8	6,68	5,45
11000	99,1	6,18	5,05
11000	107	5,72	4,67

P3Z 249

Mn ₂ [Nm]	i	Pn ₁ [kW]	n ₂ [rpm]
24000	28,6	46,7	17,5
24000	31,8	42,0	15,7
24000	36,4	36,7	13,7
24000	41,9	31,9	11,9
24000	48,6	27,5	10,3
24000	52,6	25,4	9,51
24000	63,1	21,2	7,93
24000	73,3	18,2	6,82
24000	79,4	16,8	6,29
21100	89,4	13,2	5,59
20300	95,4	11,8	5,24
19500	103	10,5	4,85

P3Z 279

Mn ₂ [Nm]	i	Pn ₁ [kW]	n ₂ [rpm]
36000	31,0	64,7	16,1
36000	34,8	57,7	14,4
36000	39,2	51,1	12,7
36000	46,9	42,7	10,7
36000	50,9	39,4	9,83
36000	55,3	36,2	9,04
36000	66,6	30,1	7,50
36000	75,7	26,5	6,60
36000	81,7	24,5	6,12
36000	88,5	22,7	5,65
30600	93,5	18,2	5,35
35300	102	19,3	4,91

P3Z 319

Mn ₂ [Nm]	i	Pn ₁ [kW]	n ₂ [rpm]
55000	24,3	126	20,6
55000	28,2	109	17,8
55000	30,4	101	16,5
55000	32,9	93,1	15,2
55000	35,7	85,9	14,0
55000	38,8	79,0	12,9
55000	42,4	72,3	11,8
55000	49,1	62,4	10,2
55000	56,8	53,9	8,80
55000	62,3	49,2	8,03
55000	67,4	45,5	7,42
52800	73,2	40,2	6,83

P3Z 399

Mn ₂ [Nm]	i	Pn ₁ [kW]	n ₂ [rpm]
90000	24,9	201	20,0
90000	29,0	173	17,3
90000	33,9	148	14,8
90000	36,8	136	13,6
90000	40,0	125	12,5
90000	43,2	116	11,6
90000	46,6	108	10,7
90000	54,9	91,4	9,11
90000	63,0	79,6	7,94
90000	67,6	74,1	7,39
90000	73,2	68,5	6,83
84600	80,0	58,9	6,25

P3Z 349

Mn ₂ [Nm]	i	Pn ₁ [kW]	n ₂ [rpm]
70000	31,2	125	16,0
70000	36,2	108	13,8
70000	39,1	99,8	12,8
70000	42,3	92,2	11,8
70000	45,9	85,0	10,9
70000	49,9	78,1	10,0
70000	54,5	71,6	9,18
70000	63,1	61,8	7,92
70000	73,0	53,4	6,85
70000	80,1	48,7	6,25
70000	86,6	45,0	5,77
67900	94,1	40,1	5,31

P3Z 409

Mn ₂ [Nm]	i	Pn ₁ [kW]	n ₂ [rpm]
110000	30,2	203	16,6
110000	35,0	175	14,3
110000	41,0	150	12,2
110000	44,5	138	11,2
110000	48,4	127	10,3
110000	52,2	117	9,57
110000	56,4	109	8,87
110000	66,4	92,3	7,53
110000	76,2	80,4	6,56
110000	81,8	74,9	6,11
110000	88,5	69,2	5,65
102000	96,8	58,9	5,17

P4Z 219

Mn ₂ [Nm]	i	Pn ₁ [kW]	n ₂ [rpm]
19000	87,8	12,3	5,69
19000	93,4	11,6	5,35
19000	106	10,2	4,72
19000	121	8,94	4,14
19000	139	7,79	3,60
19000	161	6,73	3,11
19000	188	5,75	2,66
19000	204	5,29	2,45
19000	224	4,83	2,23
19000	243	4,45	2,06
19000	293	3,69	1,71
19000	318	3,40	1,57

P4Z 269

Mn ₂ [Nm]	i	Pn ₁ [kW]	n ₂ [rpm]
29000	96,5	17,1	5,18
29000	110	15,0	4,54
29000	126	13,1	3,97
29000	145	11,4	3,44
29000	169	9,78	2,96
29000	183	9,04	2,74
29000	202	8,16	2,47
29000	227	7,27	2,20
29000	268	6,15	1,86
29000	291	5,68	1,72
29000	314	5,26	1,59
29000	339	4,87	1,47

P4Z 319

Mn ₂ [Nm]	i	Pn ₁ [kW]	n ₂ [rpm]
55000	87,4	35,8	5,72
55000	97,0	32,3	5,15
55000	111	28,2	4,50
55000	128	24,5	3,91
55000	148	21,1	3,37
55000	160	19,5	3,12
55000	192	16,3	2,60
55000	224	14,0	2,24
55000	242	12,9	2,06
55000	273	11,5	1,83
55000	291	10,8	1,72
55000	314	9,96	1,59

P4Z 249

Mn ₂ [Nm]	i	Pn ₁ [kW]	n ₂ [rpm]
24000	111	12,3	4,49
24000	118	11,5	4,22
24000	134	10,2	3,72
24000	153	8,91	3,26
24000	176	7,76	2,84
24000	204	6,71	2,46
24000	238	5,73	2,10
24000	259	5,27	1,93
24000	284	4,81	1,76
24000	308	4,44	1,62
24000	371	3,68	1,35
24000	403	3,39	1,24

P4Z 279

Mn ₂ [Nm]	i	Pn ₁ [kW]	n ₂ [rpm]
36000	119	17,2	4,19
36000	136	15,0	3,67
36000	156	13,1	3,20
36000	180	11,4	2,78
36000	209	9,81	2,39
36000	226	9,07	2,21
36000	250	8,19	2,00
36000	281	7,29	1,78
36000	332	6,17	1,51
36000	360	5,70	1,39
36000	388	5,28	1,29
36000	419	4,88	1,19

P4Z 349

Mn ₂ [Nm]	i	Pn ₁ [kW]	n ₂ [rpm]
70000	112	35,5	4,45
70000	125	31,9	4,01
70000	143	27,9	3,50
70000	164	24,2	3,04
70000	191	20,9	2,62
70000	206	19,3	2,43
70000	247	16,1	2,02
70000	287	13,9	1,74
70000	312	12,8	1,61
70000	350	11,4	1,43
70000	374	10,6	1,34
70000	404	9,86	1,24

P4Z 399

Mn ₂ [Nm]	i	Pn ₁ [kW]	n ₂ [rpm]
90000	97,1	52,7	5,15
90000	109	47,1	4,59
90000	123	41,7	4,07
90000	147	34,8	3,40
90000	159	32,1	3,14
90000	173	29,6	2,89
90000	209	24,5	2,40
90000	237	21,6	2,11
90000	256	20,0	1,95
90000	277	18,5	1,80
90000	293	17,5	1,71
90000	319	16,1	1,57

P4Z 409

Mn ₂ [Nm]	i	Pn ₁ [kW]	n ₂ [rpm]
110000	117	53,3	4,26
110000	132	47,6	3,80
110000	149	42,1	3,36
110000	178	35,2	2,81
110000	193	32,5	2,59
110000	210	29,9	2,39
110000	252	24,8	1,98
110000	287	21,8	1,74
110000	310	20,2	1,61
110000	335	18,7	1,49
110000	354	17,7	1,41
110000	386	16,2	1,30

B3Z 179

Mn ₂ [Nm]	i	Pn ₁ [kW]	n ₂ [rpm]
6060	13,3	89,0	132
6790	14,9	89,0	118
7670	16,8	89,1	104
9000	20,1	87,3	87,1
9000	21,8	80,6	80,3
9000	23,7	74,1	73,9
9000	28,5	61,5	61,4
9000	32,4	54,1	54,0
9000	35,0	50,2	50,0
6850	37,9	35,2	46,2
8250	45,6	35,2	38,3
9000	51,9	33,8	33,7
9000	56,0	31,3	31,3
8890	60,6	28,6	28,9
6680	64,0	20,3	27,3
7720	69,8	21,6	25,1

B3Z 219

Mn ₂ [Nm]	i	Pn ₁ [kW]	n ₂ [rpm]
11100	12,0	180	145
12300	14,0	172	125
13000	15,1	168	116
13700	16,3	164	107
14500	17,7	160	99,0
15300	19,2	155	91,0
16200	21,0	150	83,4
17800	24,3	142	71,9
14600	28,2	101	62,2
12100	30,9	76,2	56,6
13200	33,8	76,2	51,8
15300	39,1	76,2	44,7
17500	45,3	75,3	38,6
16200	49,6	63,6	35,3
15400	53,7	55,9	32,6
14500	58,4	48,4	30,0

B3Z 269

Mn ₂ [Nm]	i	Pn ₁ [kW]	n ₂ [rpm]
19500	12,3	307	142
22600	14,3	308	122
26400	16,8	307	104
28700	18,2	307	96,3
29000	19,8	286	88,4
29000	21,4	265	81,9
29000	23,1	245	75,9
29000	27,1	208	64,5
29000	31,2	181	56,2
23300	34,4	132	50,9
25100	37,1	132	47,2
29000	43,7	129	40,1
29000	50,1	113	34,9
27200	53,8	98,3	32,5
27500	58,2	91,9	30,1
23200	63,7	71,0	27,5

B3Z 199

Mn ₂ [Nm]	i	Pn ₁ [kW]	n ₂ [rpm]
7530	16,5	89,0	106
8430	18,5	89,0	94,7
9520	20,9	89,0	83,9
11000	25,0	85,9	70,1
11000	27,1	79,3	64,7
11000	29,4	72,9	59,5
11000	35,4	60,5	49,4
11000	40,3	53,3	43,5
11000	43,5	49,4	40,3
8500	47,1	35,2	37,2
10200	56,7	35,2	30,9
11000	64,4	33,3	27,2
11000	69,5	30,8	25,2
11000	75,3	28,5	23,2
8290	79,5	20,3	22,0
9580	86,6	21,6	20,2

B3Z 249

Mn ₂ [Nm]	i	Pn ₁ [kW]	n ₂ [rpm]
14100	15,3	179	115
15700	17,7	172	98,9
16500	19,1	168	91,6
17400	20,7	164	84,7
18400	22,4	160	78,1
19400	24,4	155	71,8
20500	26,6	150	65,8
22500	30,9	142	56,7
18700	35,7	102	49,0
15400	39,2	76,3	44,6
16800	42,8	76,3	40,9
19500	49,6	76,4	35,3
22200	57,4	75,2	30,5
20600	62,9	63,8	27,8
19500	68,1	55,8	25,7
18400	74,0	48,5	23,6

B3Z 279

Mn ₂ [Nm]	i	Pn ₁ [kW]	n ₂ [rpm]
24100	15,3	308	115
28000	17,7	307	98,8
32700	20,7	307	84,4
35500	22,5	307	77,8
36000	24,5	287	71,5
36000	26,4	266	66,2
36000	28,5	246	61,3
36000	33,6	209	52,1
36000	38,6	182	45,4
28800	42,5	132	41,2
31100	45,9	132	38,1
36000	54,0	130	32,4
36000	62,0	113	28,2
33600	66,6	98,4	26,3
34000	72,0	92,0	24,3
28700	78,8	70,9	22,2

B3Z 319

Mn ₂ [Nm]	i	Pn ₁ [kW]	n ₂ [rpm]
30400	12,1	487	144
35100	14,0	487	125
40800	16,3	488	107
46700	18,7	488	93,8
50700	20,3	487	86,3
55000	22,1	484	79,0
53300	25,5	408	68,7
53700	27,7	378	63,2
47800	29,7	313	58,8
48400	32,1	294	54,6
40700	38,8	204	45,1
44200	42,1	204	41,6
47500	45,3	204	38,7
48900	48,8	195	35,9
42900	55,3	151	31,7
42100	59,7	137	29,3

B3Z 399

Mn ₂ [Nm]	i	Pn ₁ [kW]	n ₂ [rpm]
54700	12,7	840	138
62600	14,5	841	121
72100	16,7	841	105
77600	18,0	841	97,3
82100	19,4	825	90,3
87000	21,0	809	83,5
90000	23,5	746	74,4
90000	25,3	692	69,1
89300	29,2	596	59,9
65900	33,7	381	51,9
73900	37,8	381	46,2
79600	40,8	381	42,9
90000	47,0	373	37,2
79500	53,0	292	33,0
80300	57,4	273	30,5
78200	62,3	245	28,1

B3Z 349

Mn ₂ [Nm]	i	Pn ₁ [kW]	n ₂ [rpm]
39100	15,6	488	112
45100	18,0	487	97,1
52400	20,9	487	83,6
60000	24,0	488	73,0
65200	26,1	487	67,1
70000	28,5	479	61,5
68600	32,8	408	53,4
69000	35,6	378	49,2
61500	38,2	314	45,8
62200	41,2	294	42,4
52300	49,8	204	35,1
56700	54,1	204	32,3
61000	58,2	204	30,1
62900	62,8	195	27,9
55200	71,1	151	24,6
54200	76,8	137	22,8

B3Z 409

Mn ₂ [Nm]	i	Pn ₁ [kW]	n ₂ [rpm]
66200	15,4	841	114
75800	17,6	841	99,7
87200	20,2	841	86,6
93800	21,8	841	80,5
99300	23,5	825	74,6
105000	25,4	809	69,0
110000	28,5	754	61,5
110000	30,7	700	57,1
108000	35,3	595	49,5
79700	40,8	381	42,9
89400	45,8	381	38,2
96300	49,3	381	35,5
110000	56,9	377	30,8
96200	64,1	292	27,3
97100	69,4	273	25,2
94600	75,4	245	23,2

B4Z 219

Mn ₂ [Nm]	i	Pn ₁ [kW]	n ₂ [rpm]
19000	60,6	62,5	28,9
19000	70,3	53,8	24,9
19000	76,0	49,8	23,0
19000	91,2	41,5	19,2
19000	106	35,7	16,5
19000	115	32,9	15,2
15000	128	23,4	13,7
18000	153	23,3	11,4
19000	178	21,2	9,82
19000	193	19,6	9,06
18100	238	15,1	7,34
16100	275	11,6	6,36
15300	323	9,43	5,42

B4Z 269

Mn ₂ [Nm]	i	Pn ₁ [kW]	n ₂ [rpm]
29000	79,0	73,1	22,1
29000	85,7	67,4	20,4
29000	93,1	62,0	18,8
29000	112	51,5	15,6
29000	128	45,3	13,7
29000	138	42,0	12,7
26400	149	35,3	11,7
29000	180	32,2	9,75
29000	204	28,3	8,58
29000	220	26,2	7,95
29000	256	22,6	6,84
29000	292	19,8	5,98
26300	348	15,0	5,02

B4Z 319

Mn ₂ [Nm]	i	Pn ₁ [kW]	n ₂ [rpm]
51300	63,0	162	27,8
52800	68,4	154	25,6
54400	74,4	146	23,5
55000	81,2	135	21,6
55000	94,1	116	18,6
55000	109	101	16,1
45900	120	76,4	14,6
50100	131	76,4	13,4
55000	151	72,4	11,6
51900	188	54,9	9,30
52500	223	47,0	7,86
46200	273	33,7	6,42
46900	320	29,1	5,47

B4Z 249

Mn ₂ [Nm]	i	Pn ₁ [kW]	n ₂ [rpm]
24000	76,8	62,2	22,8
24000	89,1	53,6	19,6
24000	96,4	49,6	18,2
24000	116	41,3	15,1
24000	134	35,6	13,0
24000	146	32,8	12,0
19000	162	23,3	10,8
22800	195	23,3	9,00
24000	226	21,1	7,74
24000	245	19,5	7,14
22900	302	15,1	5,79
20400	349	11,6	5,01
19400	410	9,41	4,27

B4Z 279

Mn ₂ [Nm]	i	Pn ₁ [kW]	n ₂ [rpm]
36000	97,8	73,3	17,9
36000	106	67,6	16,5
36000	115	62,2	15,2
36000	139	51,7	12,6
36000	158	45,4	11,1
36000	170	42,1	10,3
32700	184	35,3	9,49
36000	222	32,3	7,88
36000	252	28,4	6,93
36000	272	26,3	6,42
36000	317	22,6	5,53
36000	362	19,8	4,84
32500	431	15,0	4,06

B4Z 349

Mn ₂ [Nm]	i	Pn ₁ [kW]	n ₂ [rpm]
66000	81,0	162	21,6
67900	87,9	154	19,9
69900	95,6	146	18,3
70000	104	134	16,8
70000	121	115	14,5
70000	140	99,6	12,5
59000	154	76,4	11,4
64400	168	76,4	10,4
70000	195	71,6	8,99
66700	242	54,9	7,23
67500	286	47,0	6,12
59400	351	33,7	4,99
60200	412	29,1	4,25

B4Z 399

Mn ₂ [Nm]	i	Pn ₁ [kW]	n ₂ [rpm]
90000	70,5	254	24,8
90000	76,7	234	22,8
90000	82,8	217	21,1
90000	89,4	201	19,6
90000	105	170	16,6
90000	121	148	14,5
81800	123	132	14,2
88300	133	132	13,1
90000	144	125	12,2
90000	169	106	10,3
90000	194	92,3	9,01
85500	235	72,4	7,44
86500	275	62,6	6,36
87300	327	53,1	5,35

B4Z 409

Mn ₂ [Nm]	i	Pn ₁ [kW]	n ₂ [rpm]
110000	85,2	257	20,5
110000	92,8	236	18,9
110000	100	219	17,5
110000	108	203	16,2
110000	127	172	13,8
110000	146	150	12,0
99000	149	132	11,7
107000	161	132	10,9
110000	174	126	10,1
110000	205	107	8,55
110000	235	93,2	7,45
103000	285	72,4	6,15
105000	333	62,6	5,26
106000	396	53,1	4,42

B3Z 179

Mn ₂ [Nm]	i	Pn ₁ [kW]	n ₂ [rpm]
6060	13,3	71,2	105
6790	14,9	71,2	94,1
7670	16,8	71,2	83,4
9000	20,1	69,9	69,7
9000	21,8	64,4	64,3
9000	23,7	59,3	59,1
9000	28,5	49,2	49,1
9000	32,4	43,3	43,2
9000	35,0	40,1	40,0
6850	37,9	28,2	36,9
8250	45,6	28,2	30,7
9000	51,9	27,1	27,0
9000	56,0	25,1	25,0
8890	60,6	22,9	23,1
6680	64,0	16,3	21,9
7720	69,8	17,3	20,1

B3Z 219

Mn ₂ [Nm]	i	Pn ₁ [kW]	n ₂ [rpm]
11100	12,0	144	116
12300	14,0	138	100
13000	15,1	135	93,0
13700	16,3	131	85,9
14500	17,7	128	79,2
15300	19,2	124	72,8
16200	21,0	120	66,7
17800	24,3	114	57,5
14600	28,2	80,9	49,7
12100	30,9	61,0	45,2
13200	33,8	61,0	41,5
15300	39,1	61,0	35,8
17500	45,3	60,3	30,9
16200	49,6	50,9	28,2
15400	53,7	44,7	26,1
14500	58,4	38,7	24,0

B3Z 269

Mn ₂ [Nm]	i	Pn ₁ [kW]	n ₂ [rpm]
19500	12,3	246	113
22600	14,3	246	97,8
26400	16,8	246	83,6
28700	18,2	246	77,0
29000	19,8	229	70,7
29000	21,4	212	65,5
29000	23,1	196	60,7
29000	27,1	167	51,6
29000	31,2	145	44,9
23300	34,4	106	40,7
25100	37,1	106	37,7
29000	43,7	104	32,1
29000	50,1	90,2	27,9
27200	53,8	78,7	26,0
27500	58,2	73,5	24,1
23200	63,7	56,8	22,0

B3Z 199

Mn ₂ [Nm]	i	Pn ₁ [kW]	n ₂ [rpm]
7530	16,5	71,2	84,9
8430	18,5	71,2	75,8
9520	20,9	71,2	67,1
11000	25,0	68,8	56,1
11000	27,1	63,4	51,8
11000	29,4	58,3	47,6
11000	35,4	48,4	39,5
11000	40,3	42,6	34,8
11000	43,5	39,5	32,2
8500	47,1	28,2	29,7
10200	56,7	28,2	24,7
11000	64,4	26,6	21,7
11000	69,5	24,7	20,1
11000	75,3	22,8	18,6
8290	79,5	16,3	17,6
9580	86,6	17,2	16,2

B3Z 249

Mn ₂ [Nm]	i	Pn ₁ [kW]	n ₂ [rpm]
14100	15,3	144	91,7
15700	17,7	138	79,1
16500	19,1	135	73,3
17400	20,7	131	67,8
18400	22,4	128	62,5
19400	24,4	124	57,4
20500	26,6	120	52,6
22500	30,9	114	45,4
18700	35,7	81,7	39,2
15400	39,2	61,0	35,7
16800	42,8	61,0	32,7
19500	49,6	61,1	28,2
22200	57,4	60,2	24,4
20600	62,9	51,0	22,2
19500	68,1	44,6	20,6
18400	74,0	38,8	18,9

B3Z 279

Mn ₂ [Nm]	i	Pn ₁ [kW]	n ₂ [rpm]
24100	15,3	246	91,7
28000	17,7	246	79,0
32700	20,7	246	67,5
35500	22,5	246	62,2
36000	24,5	229	57,2
36000	26,4	212	53,0
36000	28,5	197	49,1
36000	33,6	167	41,7
36000	38,6	146	36,3
28800	42,5	106	32,9
31100	45,9	105	30,5
36000	54,0	104	25,9
36000	62,0	90,5	22,6
33600	66,6	78,7	21,0
34000	72,0	73,6	19,4
28700	78,8	56,7	17,8

B3Z 319

Mn ₂ [Nm]	i	Pn ₁ [kW]	n ₂ [rpm]
30400	12,1	390	115
35100	14,0	390	99,9
40800	16,3	390	85,9
46700	18,7	390	75,1
50700	20,3	390	69,0
55000	22,1	387	63,2
53300	25,5	326	55,0
53700	27,7	302	50,6
47800	29,7	251	47,1
48400	32,1	235	43,7
40700	38,8	164	36,1
44200	42,1	164	33,2
47500	45,3	164	30,9
48900	48,8	156	28,7
42900	55,3	121	25,3
42100	59,7	110	23,4

B3Z 399

Mn ₂ [Nm]	i	Pn ₁ [kW]	n ₂ [rpm]
54700	12,7	672	110
62600	14,5	673	96,4
72100	16,7	673	83,8
77600	18,0	673	77,9
82100	19,4	660	72,2
87000	21,0	647	66,8
90000	23,5	597	59,5
90000	25,3	554	55,2
89300	29,2	477	47,9
65900	33,7	305	41,5
73900	37,8	305	37,0
79600	40,8	305	34,3
90000	47,0	299	29,8
79500	53,0	234	26,4
80300	57,4	218	24,4
78200	62,3	196	22,5

B3Z 349

Mn ₂ [Nm]	i	Pn ₁ [kW]	n ₂ [rpm]
39100	15,6	390	89,7
45100	18,0	390	77,7
52400	20,9	390	66,9
60000	24,0	390	58,4
65200	26,1	390	53,7
70000	28,5	384	49,2
68600	32,8	326	42,7
69000	35,6	302	39,3
61500	38,2	251	36,6
62200	41,2	235	33,9
52300	49,8	164	28,1
56700	54,1	163	25,9
61000	58,2	163	24,1
62900	62,8	156	22,3
55200	71,1	121	19,7
54200	76,8	110	18,2

B3Z 409

Mn ₂ [Nm]	i	Pn ₁ [kW]	n ₂ [rpm]
66200	15,4	673	91,2
75800	17,6	673	79,7
87200	20,2	673	69,3
93800	21,8	673	64,4
99300	23,5	660	59,7
105000	25,4	647	55,2
110000	28,5	603	49,2
110000	30,7	560	45,7
108000	35,3	476	39,6
79700	40,8	305	34,3
89400	45,8	305	30,6
96300	49,3	305	28,4
110000	56,9	302	24,6
96200	64,1	234	21,8
97100	69,4	218	20,2
94600	75,4	196	18,6

B4Z 219

Mn ₂ [Nm]	i	Pn ₁ [kW]	n ₂ [rpm]
19000	60,6	50,0	23,1
19000	70,3	43,1	19,9
19000	76,0	39,8	18,4
19000	91,2	33,2	15,3
19000	106	28,6	13,2
19000	115	26,4	12,2
15000	128	18,7	11,0
18000	153	18,6	9,12
19000	178	17,0	7,85
19000	193	15,7	7,25
18100	238	12,1	5,88
16100	275	9,32	5,09
15300	323	7,55	4,33

B4Z 269

Mn ₂ [Nm]	i	Pn ₁ [kW]	n ₂ [rpm]
29000	79,0	58,5	17,7
29000	85,7	53,9	16,3
29000	93,1	49,6	15,0
29000	112	41,2	12,5
29000	128	36,2	11,0
29000	138	33,6	10,2
26400	149	28,2	9,39
29000	180	25,7	7,80
29000	204	22,6	6,86
29000	220	21,0	6,36
29000	256	18,1	5,47
29000	292	15,8	4,79
26300	348	12,0	4,02

B4Z 319

Mn ₂ [Nm]	i	Pn ₁ [kW]	n ₂ [rpm]
51300	63,0	130	22,2
52800	68,4	123	20,5
54400	74,4	116	18,8
55000	81,2	108	17,2
55000	94,1	93,2	14,9
55000	109	80,5	12,9
45900	120	61,1	11,7
50100	131	61,1	10,7
55000	151	57,9	9,25
51900	188	43,9	7,44
52500	223	37,6	6,29
46200	273	27,0	5,13
46900	320	23,3	4,37

B4Z 249

Mn ₂ [Nm]	i	Pn ₁ [kW]	n ₂ [rpm]
24000	76,8	49,8	18,2
24000	89,1	42,9	15,7
24000	96,4	39,7	14,5
24000	116	33,1	12,1
24000	134	28,5	10,4
24000	146	26,3	9,61
19000	162	18,7	8,64
22800	195	18,7	7,20
24000	226	16,9	6,19
24000	245	15,6	5,72
22900	302	12,1	4,63
20400	349	9,31	4,01
19400	410	7,53	3,42

B4Z 279

Mn ₂ [Nm]	i	Pn ₁ [kW]	n ₂ [rpm]
36000	97,8	58,7	14,3
36000	106	54,1	13,2
36000	115	49,8	12,1
36000	139	41,3	10,1
36000	158	36,4	8,87
36000	170	33,7	8,22
32700	184	28,2	7,59
36000	222	25,8	6,30
36000	252	22,7	5,55
36000	272	21,1	5,14
36000	317	18,1	4,42
36000	362	15,9	3,87
32500	431	12,0	3,25

B4Z 349

Mn ₂ [Nm]	i	Pn ₁ [kW]	n ₂ [rpm]
66000	81,0	130	17,3
67900	87,9	123	15,9
69900	95,6	116	14,6
70000	104	107	13,4
70000	121	92,2	11,6
70000	140	79,7	10,0
59000	154	61,1	9,10
64400	168	61,1	8,34
70000	195	57,3	7,19
66700	242	43,9	5,79
67500	286	37,6	4,89
59400	351	27,0	3,99
60200	412	23,3	3,40

B4Z 399

Mn ₂ [Nm]	i	Pn ₁ [kW]	n ₂ [rpm]
90000	70,5	204	19,9
90000	76,7	187	18,3
90000	82,8	173	16,9
90000	89,4	160	15,7
90000	105	136	13,3
90000	121	119	11,6
81800	123	106	11,3
88300	133	106	10,5
90000	144	99,8	9,74
90000	169	84,8	8,28
90000	194	73,8	7,21
85500	235	57,9	5,95
86500	275	50,0	5,09
87300	327	42,5	4,28

B4Z 409

Mn ₂ [Nm]	i	Pn ₁ [kW]	n ₂ [rpm]
110000	85,2	206	16,4
110000	92,8	189	15,1
110000	100	175	14,0
110000	108	162	13,0
110000	127	138	11,0
110000	146	120	9,58
99000	149	106	9,38
107000	161	106	8,69
110000	174	101	8,05
110000	205	85,6	6,84
110000	235	74,6	5,96
103000	285	57,9	4,92
105000	333	50,1	4,20
106000	396	42,5	3,54

B3Z 179

Mn ₂ [Nm]	i	Pn ₁ [kW]	n ₂ [rpm]
6060	13,3	57,9	85,8
6790	14,9	58,0	76,7
7670	16,8	58,0	67,9
9000	20,1	56,9	56,7
9000	21,8	52,5	52,3
9000	23,7	48,3	48,1
9000	28,5	40,1	40,0
9000	32,4	35,3	35,2
9000	35,0	32,7	32,6
6850	37,9	23,0	30,1
8250	45,6	23,0	25,0
9000	51,9	22,0	22,0
9000	56,0	20,4	20,4
8890	60,6	18,6	18,8
6680	64,0	13,2	17,8
7720	69,8	14,1	16,3

B3Z 219

Mn ₂ [Nm]	i	Pn ₁ [kW]	n ₂ [rpm]
11100	12,0	117	94,8
12300	14,0	112	81,7
13000	15,1	110	75,7
13700	16,3	107	69,9
14500	17,7	104	64,5
15300	19,2	101	59,3
16200	21,0	97,7	54,3
17800	24,3	92,6	46,9
14600	28,2	65,9	40,5
12100	30,9	49,7	36,8
13200	33,8	49,6	33,8
15300	39,1	49,6	29,1
17500	45,3	49,1	25,2
16200	49,6	41,4	23,0
15400	53,7	36,4	21,2
14500	58,4	31,5	19,5

B3Z 269

Mn ₂ [Nm]	i	Pn ₁ [kW]	n ₂ [rpm]
19500	12,3	200	92,4
22600	14,3	200	79,6
26400	16,8	200	68,1
28700	18,2	200	62,7
29000	19,8	186	57,6
29000	21,4	172	53,4
29000	23,1	160	49,4
29000	27,1	136	42,0
29000	31,2	118	36,6
23300	34,4	85,9	33,2
25100	37,1	85,9	30,7
29000	43,7	84,4	26,1
29000	50,1	73,5	22,7
27200	53,8	64,1	21,2
27500	58,2	59,9	19,6
23200	63,7	46,3	17,9

B3Z 199

Mn ₂ [Nm]	i	Pn ₁ [kW]	n ₂ [rpm]
7530	16,5	58,0	69,1
8430	18,5	58,0	61,7
9520	20,9	58,0	54,7
11000	25,0	56,0	45,7
11000	27,1	51,6	42,1
11000	29,4	47,5	38,8
11000	35,4	39,4	32,2
11000	40,3	34,7	28,3
11000	43,5	32,1	26,2
8500	47,1	22,9	24,2
10200	56,7	22,9	20,1
11000	64,4	21,7	17,7
11000	69,5	20,1	16,4
11000	75,3	18,6	15,1
8290	79,5	13,2	14,3
9580	86,6	14,0	13,2

B3Z 249

Mn ₂ [Nm]	i	Pn ₁ [kW]	n ₂ [rpm]
14100	15,3	117	74,7
15700	17,7	112	64,4
16500	19,1	110	59,7
17400	20,7	107	55,2
18400	22,4	104	50,9
19400	24,4	101	46,8
20500	26,6	97,8	42,8
22500	30,9	92,6	37,0
18700	35,7	66,6	32,0
15400	39,2	49,7	29,1
16800	42,8	49,7	26,6
19500	49,6	49,8	23,0
22200	57,4	49,0	19,9
20600	62,9	41,6	18,1
19500	68,1	36,4	16,7
18400	74,0	31,6	15,4

B3Z 279

Mn ₂ [Nm]	i	Pn ₁ [kW]	n ₂ [rpm]
24100	15,3	201	74,7
28000	17,7	200	64,3
32700	20,7	200	55,0
35500	22,5	200	50,7
36000	24,5	187	46,5
36000	26,4	173	43,1
36000	28,5	160	40,0
36000	33,6	136	33,9
36000	38,6	119	29,6
28800	42,5	86,0	26,8
31100	45,9	85,9	24,8
36000	54,0	84,6	21,1
36000	62,0	73,7	18,4
33600	66,6	64,1	17,1
34000	72,0	59,9	15,8
28700	78,8	46,2	14,5

B3Z 319

Mn ₂ [Nm]	i	Pn ₁ [kW]	n ₂ [rpm]
30400	12,1	317	93,9
35100	14,0	317	81,3
40800	16,3	318	70,0
46700	18,7	318	61,1
50700	20,3	317	56,2
55000	22,1	315	51,5
53300	25,5	266	44,8
53700	27,7	246	41,2
47800	29,7	204	38,3
48400	32,1	191	35,5
40700	38,8	133	29,4
44200	42,1	133	27,1
47500	45,3	133	25,2
48900	48,8	127	23,4
42900	55,3	98,6	20,6
42100	59,7	89,5	19,1

B3Z 399

Mn ₂ [Nm]	i	Pn ₁ [kW]	n ₂ [rpm]
54700	12,7	547	89,8
62600	14,5	548	78,5
72100	16,7	548	68,2
77600	18,0	548	63,4
82100	19,4	538	58,8
87000	21,0	527	54,4
90000	23,5	486	48,5
90000	25,3	451	45,0
89300	29,2	388	39,0
65900	33,7	248	33,8
73900	37,8	248	30,1
79600	40,8	248	28,0
90000	47,0	243	24,3
79500	53,0	190	21,5
80300	57,4	178	19,9
78200	62,3	159	18,3

B3Z 349

Mn ₂ [Nm]	i	Pn ₁ [kW]	n ₂ [rpm]
39100	15,6	318	73,0
45100	18,0	317	63,3
52400	20,9	317	54,4
60000	24,0	318	47,6
65200	26,1	317	43,7
70000	28,5	312	40,1
68600	32,8	266	34,8
69000	35,6	246	32,0
61500	38,2	204	29,8
62200	41,2	191	27,6
52300	49,8	133	22,9
56700	54,1	133	21,1
61000	58,2	133	19,6
62900	62,8	127	18,2
55200	71,1	98,6	16,0
54200	76,8	89,6	14,8

B3Z 409

Mn ₂ [Nm]	i	Pn ₁ [kW]	n ₂ [rpm]
66200	15,4	548	74,3
75800	17,6	548	64,9
87200	20,2	548	56,4
93800	21,8	548	52,4
99300	23,5	537	48,6
105000	25,4	527	44,9
110000	28,5	491	40,1
110000	30,7	456	37,2
108000	35,3	388	32,3
79700	40,8	248	27,9
89400	45,8	248	24,9
96300	49,3	248	23,1
110000	56,9	246	20,1
96200	64,1	190	17,8
97100	69,4	178	16,4
94600	75,4	159	15,1

B4Z 219

Mn ₂ [Nm]	i	Pn ₁ [kW]	n ₂ [rpm]
19000	60,6	40,7	18,8
19000	70,3	35,1	16,2
19000	76,0	32,4	15,0
19000	91,2	27,0	12,5
19000	106	23,3	10,8
19000	115	21,5	9,93
15000	128	15,2	8,92
18000	153	15,2	7,43
19000	178	13,8	6,39
19000	193	12,8	5,90
18100	238	9,83	4,78
16100	275	7,59	4,14
15300	323	6,15	3,53

B4Z 269

Mn ₂ [Nm]	i	Pn ₁ [kW]	n ₂ [rpm]
29000	79,0	47,6	14,4
29000	85,7	43,9	13,3
29000	93,1	40,4	12,2
29000	112	33,5	10,2
29000	128	29,5	8,94
29000	138	27,3	8,28
26400	149	23,0	7,65
29000	180	21,0	6,35
29000	204	18,4	5,59
29000	220	17,1	5,18
29000	256	14,7	4,45
29000	292	12,9	3,90
26300	348	9,77	3,27

B4Z 319

Mn ₂ [Nm]	i	Pn ₁ [kW]	n ₂ [rpm]
51300	63,0	106	18,1
52800	68,4	100	16,7
54400	74,4	94,8	15,3
55000	81,2	87,9	14,0
55000	94,1	75,9	12,1
55000	109	65,6	10,5
45900	120	49,8	9,53
50100	131	49,8	8,73
55000	151	47,2	7,53
51900	188	35,8	6,06
52500	223	30,6	5,12
46200	273	22,0	4,18
46900	320	19,0	3,56

B4Z 249

Mn ₂ [Nm]	i	Pn ₁ [kW]	n ₂ [rpm]
24000	76,8	40,5	14,8
24000	89,1	34,9	12,8
24000	96,4	32,3	11,8
24000	116	26,9	9,86
24000	134	23,2	8,48
24000	146	21,4	7,83
19000	162	15,2	7,03
22800	195	15,2	5,86
24000	226	13,8	5,04
24000	245	12,7	4,65
22900	302	9,84	3,77
20400	349	7,58	3,27
19400	410	6,13	2,78

B4Z 279

Mn ₂ [Nm]	i	Pn ₁ [kW]	n ₂ [rpm]
36000	97,8	47,8	11,7
36000	106	44,1	10,8
36000	115	40,5	9,89
36000	139	33,6	8,21
36000	158	29,6	7,23
36000	170	27,4	6,70
32700	184	23,0	6,18
36000	222	21,0	5,13
36000	252	18,5	4,52
36000	272	17,1	4,19
36000	317	14,7	3,60
36000	362	12,9	3,15
32500	431	9,77	2,64

B4Z 349

Mn ₂ [Nm]	i	Pn ₁ [kW]	n ₂ [rpm]
66000	81,0	106	14,1
67900	87,9	100	13,0
69900	95,6	94,9	11,9
70000	104	87,0	10,9
70000	121	75,1	9,42
70000	140	64,9	8,15
59000	154	49,8	7,41
64400	168	49,8	6,79
70000	195	46,7	5,86
66700	242	35,8	4,71
67500	286	30,6	3,98
59400	351	22,0	3,25
60200	412	19,0	2,77

B4Z 399

Mn ₂ [Nm]	i	Pn ₁ [kW]	n ₂ [rpm]
90000	70,5	166	16,2
90000	76,7	152	14,9
90000	82,8	141	13,8
90000	89,4	131	12,8
90000	105	111	10,8
90000	121	96,7	9,44
81800	123	86,0	9,24
88300	133	86,0	8,56
90000	144	81,2	7,93
90000	169	69,0	6,74
90000	194	60,1	5,87
85500	235	47,2	4,85
86500	275	40,7	4,14
87300	327	34,6	3,49

B4Z 409

Mn ₂ [Nm]	i	Pn ₁ [kW]	n ₂ [rpm]
110000	85,2	167	13,4
110000	92,8	154	12,3
110000	100	143	11,4
110000	108	132	10,5
110000	127	112	8,96
110000	146	97,7	7,80
99000	149	86,0	7,64
107000	161	86,0	7,08
110000	174	82,1	6,56
110000	205	69,7	5,57
110000	235	60,7	4,85
103000	285	47,2	4,01
105000	333	40,8	3,42
106000	396	34,6	2,88

B3Z 179

Mn ₂ [Nm]	i	Pn ₁ [kW]	n ₂ [rpm]
6160	13,3	46,5	67,8
6900	14,9	46,5	60,5
7790	16,8	46,5	53,6
9000	20,1	44,9	44,8
9000	21,8	41,4	41,3
9000	23,7	38,1	38,0
9000	28,5	31,6	31,6
9000	32,4	27,8	27,8
9000	35,0	25,8	25,7
6950	37,9	18,4	23,8
8380	45,6	18,4	19,7
9000	51,9	17,4	17,4
9000	56,0	16,1	16,1
9000	60,6	14,9	14,8
6750	64,0	10,6	14,1
7880	69,8	11,3	12,9

B3Z 219

Mn ₂ [Nm]	i	Pn ₁ [kW]	n ₂ [rpm]
12300	12,0	102	74,8
14100	14,0	101	64,5
14800	15,1	98,5	59,8
15700	16,3	96,6	55,2
16600	17,7	93,8	50,9
17500	19,2	91,0	46,8
18500	21,0	88,1	42,9
19000	24,3	78,3	37,0
16700	28,2	59,5	32,0
12300	30,9	39,9	29,1
13400	33,8	39,8	26,7
15600	39,1	39,8	23,0
17800	45,3	39,4	19,9
16500	49,6	33,2	18,1
15700	53,7	29,2	16,8
14800	58,4	25,4	15,4

B3Z 269

Mn ₂ [Nm]	i	Pn ₁ [kW]	n ₂ [rpm]
19800	12,3	161	72,9
23000	14,3	161	62,8
26900	16,8	161	53,7
29000	18,2	160	49,5
29000	19,8	147	45,5
29000	21,4	136	42,1
29000	23,1	126	39,0
29000	27,1	107	33,2
29000	31,2	93,3	28,9
23600	34,4	68,9	26,2
25500	37,1	68,9	24,3
29000	43,7	66,6	20,6
29000	50,1	58,0	18,0
27500	53,8	51,1	16,7
27800	58,2	47,8	15,5
23600	63,7	37,2	14,1

B3Z 199

Mn ₂ [Nm]	i	Pn ₁ [kW]	n ₂ [rpm]
7650	16,5	46,5	54,6
8570	18,5	46,5	48,7
9680	20,9	46,5	43,2
11000	25,0	44,2	36,1
11000	27,1	40,8	33,3
11000	29,4	37,5	30,6
11000	35,4	31,1	25,4
11000	40,3	27,4	22,4
11000	43,5	25,4	20,7
8640	47,1	18,4	19,1
10400	56,7	18,4	15,9
11000	64,4	17,1	14,0
11000	69,5	15,9	12,9
11000	75,3	14,6	12,0
8390	79,5	10,6	11,3
9780	86,6	11,3	10,4

B3Z 249

Mn ₂ [Nm]	i	Pn ₁ [kW]	n ₂ [rpm]
15600	15,3	102	59,0
17900	17,7	101	50,9
18900	19,1	98,9	47,1
19900	20,7	96,3	43,6
21000	22,4	93,9	40,2
22200	24,4	91,1	36,9
23400	26,6	88,2	33,8
24000	30,9	78,0	29,2
21400	35,7	60,0	25,2
15600	39,2	39,9	22,9
17000	42,8	39,8	21,0
19700	49,6	39,8	18,1
22600	57,4	39,4	15,7
20900	62,9	33,3	14,3
19900	68,1	29,2	13,2
18800	74,0	25,4	12,2

B3Z 279

Mn ₂ [Nm]	i	Pn ₁ [kW]	n ₂ [rpm]
24500	15,3	161	59,0
28500	17,7	161	50,8
33300	20,7	161	43,4
36000	22,5	160	40,0
36000	24,5	147	36,7
36000	26,4	137	34,1
36000	28,5	127	31,5
36000	33,6	107	26,8
36000	38,6	93,6	23,3
29200	42,5	68,8	21,2
31600	45,9	68,9	19,6
36000	54,0	66,8	16,7
36000	62,0	58,2	14,5
34000	66,6	51,1	13,5
34400	72,0	47,8	12,5
29200	78,8	37,2	11,4

B3Z 319

Mn ₂ [Nm]	i	Pn ₁ [kW]	n ₂ [rpm]
31000	12,1	256	74,1
35800	14,0	256	64,2
41600	16,3	256	55,2
47600	18,7	256	48,3
51800	20,3	256	44,4
55000	22,1	249	40,7
54000	25,5	213	35,3
54300	27,7	197	32,5
48400	29,7	163	30,3
48900	32,1	153	28,1
41400	38,8	107	23,2
44900	42,1	107	21,4
48300	45,3	107	19,9
49400	48,8	101	18,4
43400	55,3	78,6	16,3
42800	59,7	71,8	15,1

B3Z 399

Mn ₂ [Nm]	i	Pn ₁ [kW]	n ₂ [rpm]
56500	12,7	446	70,9
64700	14,5	446	62,0
74400	16,7	447	53,9
80100	18,0	447	50,1
86400	19,4	447	46,4
90000	21,0	430	42,9
90000	23,5	384	38,3
90000	25,3	356	35,5
90000	29,2	309	30,8
66900	33,7	199	26,7
75100	37,8	199	23,8
80900	40,8	199	22,1
90000	47,0	192	19,1
80400	53,0	152	17,0
81200	57,4	142	15,7
79500	62,3	128	14,4

B3Z 349

Mn ₂ [Nm]	i	Pn ₁ [kW]	n ₂ [rpm]
39800	15,6	256	57,7
46000	18,0	256	49,9
53400	20,9	256	43,0
61200	24,0	256	37,5
66500	26,1	256	34,5
70000	28,5	247	31,6
69500	32,8	213	27,5
69900	35,6	197	25,3
62200	38,2	163	23,5
62900	41,2	153	21,8
53200	49,8	107	18,1
57800	54,1	107	16,6
62100	58,2	107	15,5
63500	62,8	101	14,3
55700	71,1	78,6	12,7
55000	76,8	71,8	11,7

B3Z 409

Mn ₂ [Nm]	i	Pn ₁ [kW]	n ₂ [rpm]
68400	15,4	446	58,6
78200	17,6	447	51,3
90000	20,2	447	44,5
96900	21,8	447	41,4
104000	23,5	446	38,4
110000	25,4	435	35,5
110000	28,5	388	31,6
110000	30,7	360	29,4
110000	35,3	312	25,5
81000	40,8	199	22,1
90800	45,8	199	19,7
97800	49,3	199	18,3
110000	56,9	194	15,8
97200	64,1	152	14,0
98200	69,4	142	13,0
96100	75,4	128	11,9

B4Z 219

Mn ₂ [Nm]	i	Pn ₁ [kW]	n ₂ [rpm]
19000	60,6	32,1	14,9
19000	70,3	27,7	12,8
19000	76,0	25,6	11,8
19000	91,2	21,3	9,87
19000	106	18,4	8,49
19000	115	16,9	7,84
15200	128	12,2	7,04
18300	153	12,2	5,87
19000	178	10,9	5,05
19000	193	10,1	4,66
18500	238	7,93	3,78
16400	275	6,10	3,27
15700	323	4,98	2,79

B4Z 269

Mn ₂ [Nm]	i	Pn ₁ [kW]	n ₂ [rpm]
29000	79,0	37,6	11,4
29000	85,7	34,7	10,5
29000	93,1	31,9	9,66
29000	112	26,5	8,02
29000	128	23,3	7,06
29000	138	21,6	6,54
26800	149	18,4	6,04
29000	180	16,5	5,01
29000	204	14,6	4,41
29000	220	13,5	4,09
29000	256	11,6	3,52
29000	292	10,2	3,08
26800	348	7,88	2,58

B4Z 319

Mn ₂ [Nm]	i	Pn ₁ [kW]	n ₂ [rpm]
55000	63,0	89,4	14,3
55000	68,4	82,4	13,2
55000	74,4	75,8	12,1
55000	81,2	69,4	11,1
55000	94,1	59,9	9,57
55000	109	51,8	8,27
46600	120	39,9	7,52
50800	131	39,9	6,89
55000	151	37,2	5,95
52400	188	28,5	4,78
53000	223	24,4	4,04
46600	273	17,5	3,30
47300	320	15,1	2,81

B4Z 249

Mn ₂ [Nm]	i	Pn ₁ [kW]	n ₂ [rpm]
24000	76,8	32,0	11,7
24000	89,1	27,6	10,1
24000	96,4	25,5	9,34
24000	116	21,3	7,78
24000	134	18,3	6,70
24000	146	16,9	6,18
19300	162	12,2	5,55
23200	195	12,2	4,63
24000	226	10,9	3,98
24000	245	10,0	3,67
23400	302	7,93	2,98
20800	349	6,10	2,58
19800	410	4,96	2,20

B4Z 279

Mn ₂ [Nm]	i	Pn ₁ [kW]	n ₂ [rpm]
36000	97,8	37,7	9,20
36000	106	34,8	8,49
36000	115	32,0	7,81
36000	139	26,6	6,48
36000	158	23,4	5,70
36000	170	21,7	5,29
33200	184	18,4	4,88
36000	222	16,6	4,05
36000	252	14,6	3,57
36000	272	13,5	3,30
36000	317	11,6	2,84
36000	362	10,2	2,49
33200	431	7,88	2,09

B4Z 349

Mn ₂ [Nm]	i	Pn ₁ [kW]	n ₂ [rpm]
70000	81,0	88,5	11,1
70000	87,9	81,6	10,2
70000	95,6	75,0	9,41
70000	104	68,7	8,62
70000	121	59,3	7,44
70000	140	51,2	6,43
59900	154	39,9	5,85
65400	168	39,9	5,36
70000	195	36,8	4,62
67300	242	28,5	3,72
68200	286	24,4	3,15
59900	351	17,5	2,57
60800	412	15,1	2,19

B4Z 399

Mn ₂ [Nm]	i	Pn ₁ [kW]	n ₂ [rpm]
90000	70,5	131	12,8
90000	76,7	120	11,7
90000	82,8	111	10,9
90000	89,4	103	10,1
90000	105	87,7	8,56
90000	121	76,3	7,45
83100	123	69,0	7,30
89700	133	69,0	6,76
90000	144	64,1	6,26
90000	169	54,5	5,32
90000	194	47,5	4,63
86300	235	37,6	3,83
87300	275	32,5	3,27
88400	327	27,7	2,75

B4Z 409

Mn ₂ [Nm]	i	Pn ₁ [kW]	n ₂ [rpm]
110000	85,2	132	10,6
110000	92,8	121	9,70
110000	100	113	8,99
110000	108	104	8,33
110000	127	88,6	7,07
110000	146	77,1	6,16
101000	149	69,0	6,03
108000	161	69,0	5,59
110000	174	64,8	5,18
110000	205	55,1	4,40
110000	235	48,0	3,83
104000	285	37,6	3,16
106000	333	32,5	2,70
107000	396	27,7	2,27

B3Z 179

Mn ₂ [Nm]	i	Pn ₁ [kW]	n ₂ [rpm]
6200	13,3	36,4	52,7
6940	14,9	36,4	47,1
7840	16,8	36,4	41,7
9000	20,1	34,9	34,8
9000	21,8	32,2	32,1
9000	23,7	29,6	29,6
9000	28,5	24,6	24,5
9000	32,4	21,6	21,6
9000	35,0	20,1	20,0
6990	37,9	14,4	18,5
8420	45,6	14,4	15,3
9000	51,9	13,5	13,5
9000	56,0	12,5	12,5
9000	60,6	11,6	11,5
6790	64,0	8,27	10,9
7960	69,8	8,90	10,0

B3Z 219

Mn ₂ [Nm]	i	Pn ₁ [kW]	n ₂ [rpm]
12400	12,0	80,1	58,2
14400	14,0	80,2	50,2
15500	15,1	80,3	46,5
16600	16,3	79,2	42,9
17500	17,7	77,0	39,6
18500	19,2	74,8	36,4
19000	21,0	70,6	33,3
19000	24,3	60,9	28,8
17600	28,2	48,6	24,9
12400	30,9	31,3	22,6
13500	33,8	31,2	20,7
15700	39,1	31,2	17,9
17900	45,3	30,8	15,5
16600	49,6	26,1	14,1
15800	53,7	22,9	13,0
14900	58,4	19,9	12,0

B3Z 269

Mn ₂ [Nm]	i	Pn ₁ [kW]	n ₂ [rpm]
20000	12,3	126	56,7
23200	14,3	126	48,9
27100	16,8	126	41,8
29000	18,2	124	38,5
29000	19,8	114	35,4
29000	21,4	106	32,8
29000	23,1	98,1	30,4
29000	27,1	83,3	25,8
29000	31,2	72,6	22,5
23800	34,4	53,9	20,4
25700	37,1	53,9	18,9
29000	43,7	51,8	16,0
29000	50,1	45,1	14,0
27600	53,8	39,9	13,0
27900	58,2	37,4	12,0
23800	63,7	29,1	11,0

B3Z 199

Mn ₂ [Nm]	i	Pn ₁ [kW]	n ₂ [rpm]
7700	16,5	36,4	42,4
8620	18,5	36,4	37,9
9740	20,9	36,4	33,6
11000	25,0	34,4	28,1
11000	27,1	31,7	25,9
11000	29,4	29,2	23,8
11000	35,4	24,2	19,8
11000	40,3	21,3	17,4
11000	43,5	19,7	16,1
8680	47,1	14,4	14,9
10500	56,7	14,4	12,4
11000	64,4	13,3	10,9
11000	69,5	12,3	10,1
11000	75,3	11,4	9,30
8430	79,5	8,27	8,80
9880	86,6	8,89	8,08

B3Z 249

Mn ₂ [Nm]	i	Pn ₁ [kW]	n ₂ [rpm]
15700	15,3	80,2	45,9
18200	17,7	80,0	39,6
19600	19,1	80,0	36,6
21000	20,7	79,1	33,9
22200	22,4	77,1	31,2
23400	24,4	74,8	28,7
24000	26,6	70,3	26,3
24000	30,9	60,7	22,7
22300	35,7	48,6	19,6
15700	39,2	31,2	17,8
17100	42,8	31,1	16,4
19900	49,6	31,2	14,1
22700	57,4	30,8	12,2
21100	62,9	26,1	11,1
20000	68,1	22,9	10,3
18900	74,0	19,9	9,46

B3Z 279

Mn ₂ [Nm]	i	Pn ₁ [kW]	n ₂ [rpm]
24700	15,3	126	45,9
28700	17,7	126	39,5
33500	20,7	126	33,8
36000	22,5	125	31,1
36000	24,5	115	28,6
36000	26,4	106	26,5
36000	28,5	98,4	24,5
36000	33,6	83,6	20,8
36000	38,6	72,8	18,2
29400	42,5	53,9	16,5
31700	45,9	53,9	15,3
36000	54,0	52,0	13,0
36000	62,0	45,3	11,3
34200	66,6	40,0	10,5
34500	72,0	37,3	9,72
29500	78,8	29,2	8,89

B3Z 319

Mn ₂ [Nm]	i	Pn ₁ [kW]	n ₂ [rpm]
31200	12,1	200	57,7
36000	14,0	200	49,9
41900	16,3	200	43,0
47900	18,7	200	37,5
52100	20,3	200	34,5
55000	22,1	194	31,6
54300	25,5	166	27,5
54700	27,7	154	25,3
48600	29,7	127	23,5
49100	32,1	119	21,8
41600	38,8	83,7	18,1
45200	42,1	83,7	16,6
48600	45,3	83,7	15,5
49600	48,8	79,2	14,3
43500	55,3	61,4	12,7
43100	59,7	56,2	11,7

B3Z 399

Mn ₂ [Nm]	i	Pn ₁ [kW]	n ₂ [rpm]
57100	12,7	351	55,2
65300	14,5	351	48,2
75200	16,7	351	41,9
80900	18,0	351	38,9
87300	19,4	351	36,1
90000	21,0	335	33,4
90000	23,5	298	29,8
90000	25,3	277	27,6
90000	29,2	240	24,0
67300	33,7	156	20,7
75500	37,8	156	18,5
81300	40,8	156	17,2
90000	47,0	149	14,9
80700	53,0	119	13,2
81500	57,4	111	12,2
80000	62,3	100	11,2

B3Z 349

Mn ₂ [Nm]	i	Pn ₁ [kW]	n ₂ [rpm]
40100	15,6	200	44,8
46300	18,0	200	38,8
53800	20,9	200	33,4
61600	24,0	200	29,2
67000	26,1	200	26,8
70000	28,5	192	24,6
69800	32,8	166	21,4
70000	35,6	153	19,7
62500	38,2	127	18,3
63200	41,2	119	17,0
53500	49,8	83,7	14,0
58100	54,1	83,7	12,9
62500	58,2	83,7	12,0
63800	62,8	79,2	11,2
56000	71,1	61,4	9,85
55400	76,8	56,3	9,12

B3Z 409

Mn ₂ [Nm]	i	Pn ₁ [kW]	n ₂ [rpm]
69100	15,4	351	45,6
79000	17,6	351	39,9
91000	20,2	351	34,6
97900	21,8	351	32,2
106000	23,5	351	29,8
110000	25,4	338	27,6
110000	28,5	301	24,6
110000	30,7	280	22,8
110000	35,3	243	19,8
81400	40,8	156	17,2
91300	45,8	156	15,3
98400	49,3	156	14,2
110000	56,9	151	12,3
97700	64,1	119	10,9
98600	69,4	111	10,1
96800	75,4	100	9,29

B4Z 219

Mn ₂ [Nm]	i	Pn ₁ [kW]	n ₂ [rpm]
19000	60,6	25,0	11,6
19000	70,3	21,5	9,96
19000	76,0	19,9	9,21
19000	91,2	16,6	7,67
19000	106	14,3	6,60
19000	115	13,2	6,09
15400	128	9,57	5,48
18400	153	9,55	4,56
19000	178	8,49	3,93
19000	193	7,84	3,62
18600	238	6,22	2,94
16900	275	4,89	2,54
15700	323	3,87	2,17

B4Z 269

Mn ₂ [Nm]	i	Pn ₁ [kW]	n ₂ [rpm]
29000	79,0	29,2	8,86
29000	85,7	27,0	8,17
29000	93,1	24,8	7,52
29000	112	20,6	6,24
29000	128	18,1	5,49
29000	138	16,8	5,09
27000	149	14,4	4,70
29000	180	12,9	3,90
29000	204	11,3	3,43
29000	220	10,5	3,18
29000	256	9,03	2,73
29000	292	7,90	2,39
27100	348	6,18	2,01

B4Z 319

Mn ₂ [Nm]	i	Pn ₁ [kW]	n ₂ [rpm]
55000	63,0	69,5	11,1
55000	68,4	64,1	10,2
55000	74,4	58,9	9,41
55000	81,2	54,0	8,62
55000	94,1	46,6	7,44
55000	109	40,3	6,43
46900	120	31,2	5,85
51200	131	31,2	5,36
55000	151	29,0	4,63
52600	188	22,2	3,72
53200	223	19,0	3,15
46800	273	13,7	2,57
47500	320	11,8	2,19

B4Z 249

Mn ₂ [Nm]	i	Pn ₁ [kW]	n ₂ [rpm]
24000	76,8	24,9	9,11
24000	89,1	21,5	7,85
24000	96,4	19,8	7,26
24000	116	16,5	6,05
24000	134	14,2	5,21
24000	146	13,1	4,81
19500	162	9,56	4,32
23400	195	9,56	3,60
24000	226	8,46	3,10
24000	245	7,81	2,86
23600	302	6,22	2,32
21400	349	4,88	2,01
19900	410	3,87	1,71

B4Z 279

Mn ₂ [Nm]	i	Pn ₁ [kW]	n ₂ [rpm]
36000	97,8	29,3	7,16
36000	106	27,1	6,60
36000	115	24,9	6,07
36000	139	20,7	5,04
36000	158	18,2	4,44
36000	170	16,8	4,11
33400	184	14,4	3,80
36000	222	12,9	3,15
36000	252	11,4	2,77
36000	272	10,5	2,57
36000	317	9,06	2,21
36000	362	7,93	1,93
33500	431	6,19	1,62

B4Z 349

Mn ₂ [Nm]	i	Pn ₁ [kW]	n ₂ [rpm]
70000	81,0	68,8	8,64
70000	87,9	63,4	7,96
70000	95,6	58,3	7,32
70000	104	53,4	6,71
70000	121	46,1	5,79
70000	140	39,9	5,00
60300	154	31,2	4,55
65800	168	31,2	4,17
70000	195	28,7	3,60
67600	242	22,3	2,89
68400	286	19,0	2,45
60100	351	13,7	2,00
61000	412	11,8	1,70

B4Z 399

Mn ₂ [Nm]	i	Pn ₁ [kW]	n ₂ [rpm]
90000	70,5	102	9,93
90000	76,7	93,5	9,13
90000	82,8	86,6	8,46
90000	89,4	80,2	7,83
90000	105	68,2	6,66
90000	121	59,4	5,80
83500	123	53,9	5,67
90000	133	53,9	5,26
90000	144	49,9	4,87
90000	169	42,4	4,14
90000	194	36,9	3,60
86700	235	29,3	2,98
87600	275	25,4	2,54
88700	327	21,6	2,14

B4Z 409

Mn ₂ [Nm]	i	Pn ₁ [kW]	n ₂ [rpm]
110000	85,2	103	8,21
110000	92,8	94,5	7,55
110000	100	87,5	6,99
110000	108	81,1	6,48
110000	127	68,9	5,50
110000	146	60,0	4,79
101000	149	53,9	4,69
109000	161	53,9	4,35
110000	174	50,4	4,03
110000	205	42,8	3,42
110000	235	37,3	2,98
105000	285	29,4	2,46
106000	333	25,3	2,10
107000	396	21,6	1,77

B3Z 179

Mn ₂ [Nm]	i	Pn ₁ [kW]	n ₂ [rpm]
6290	13,3	26,4	37,7
7040	14,9	26,4	33,6
7950	16,8	26,4	29,8
9000	20,1	25,0	24,9
9000	21,8	23,0	23,0
9000	23,7	21,2	21,1
9000	28,5	17,6	17,5
9000	32,4	15,5	15,4
9000	35,0	14,3	14,3
7100	37,9	10,4	13,2
8550	45,6	10,4	11,0
9000	51,9	9,66	9,64
9000	56,0	8,96	8,93
9000	60,6	8,27	8,25
6880	64,0	5,98	7,81
8180	69,8	6,53	7,17

B3Z 219

Mn ₂ [Nm]	i	Pn ₁ [kW]	n ₂ [rpm]
12600	12,0	58,1	41,6
14600	14,0	58,1	35,8
15700	15,1	58,1	33,2
17000	16,3	58,1	30,7
18500	17,7	58,1	28,3
19000	19,2	55,0	26,0
19000	21,0	50,4	23,8
19000	24,3	43,5	20,6
18000	28,2	35,5	17,8
12600	30,9	22,6	16,2
13700	33,8	22,6	14,8
15900	39,1	22,6	12,8
18300	45,3	22,5	11,0
17000	49,6	19,1	10,1
16200	53,7	16,7	9,31
15200	58,4	14,5	8,56

B3Z 269

Mn ₂ [Nm]	i	Pn ₁ [kW]	n ₂ [rpm]
20300	12,3	91,4	40,5
23500	14,3	91,4	34,9
27500	16,8	91,4	29,9
29000	18,2	88,8	27,5
29000	19,8	81,6	25,3
29000	21,4	75,6	23,4
29000	23,1	70,0	21,7
29000	27,1	59,5	18,4
29000	31,2	51,8	16,0
24100	34,4	39,1	14,6
26000	37,1	39,0	13,5
29000	43,7	37,0	11,5
29000	50,1	32,2	9,97
28000	53,8	28,9	9,29
28300	58,2	27,0	8,59
24400	63,7	21,3	7,85

B3Z 199

Mn ₂ [Nm]	i	Pn ₁ [kW]	n ₂ [rpm]
7810	16,5	26,4	30,3
8750	18,5	26,4	27,1
9870	20,9	26,4	24,0
11000	25,0	24,6	20,0
11000	27,1	22,6	18,5
11000	29,4	20,8	17,0
11000	35,4	17,3	14,1
11000	40,3	15,2	12,4
11000	43,5	14,1	11,5
8810	47,1	10,4	10,6
10600	56,7	10,4	8,82
11000	64,4	9,51	7,76
11000	69,5	8,81	7,19
11000	75,3	8,14	6,64
8550	79,5	5,99	6,29
10200	86,6	6,53	5,77

B3Z 249

Mn ₂ [Nm]	i	Pn ₁ [kW]	n ₂ [rpm]
15900	15,3	58,0	32,8
18500	17,7	58,1	28,3
19900	19,1	58,0	26,2
21600	20,7	58,1	24,2
23400	22,4	58,2	22,3
24000	24,4	54,8	20,5
24000	26,6	50,2	18,8
24000	30,9	43,3	16,2
22800	35,7	35,5	14,0
15900	39,2	22,6	12,7
17400	42,8	22,6	11,7
20200	49,6	22,6	10,1
23200	57,4	22,5	8,71
21600	62,9	19,1	7,94
20500	68,1	16,7	7,34
19300	74,0	14,5	6,76

B3Z 279

Mn ₂ [Nm]	i	Pn ₁ [kW]	n ₂ [rpm]
25100	15,3	91,6	32,8
29100	17,7	91,5	28,2
34100	20,7	91,5	24,1
36000	22,5	89,1	22,2
36000	24,5	81,9	20,4
36000	26,4	75,9	18,9
36000	28,5	70,3	17,5
36000	33,6	59,7	14,9
36000	38,6	52,0	13,0
29800	42,5	39,0	11,8
32200	45,9	39,1	10,9
36000	54,0	37,1	9,26
36000	62,0	32,3	8,06
34600	66,6	28,9	7,51
35000	72,0	27,0	6,94
30200	78,8	21,4	6,35

B3Z 319

Mn ₂ [Nm]	i	Pn ₁ [kW]	n ₂ [rpm]
31700	12,1	145	41,2
36600	14,0	145	35,7
42600	16,3	145	30,7
48700	18,7	145	26,8
53000	20,3	146	24,7
55000	22,1	138	22,6
55000	25,5	120	19,6
55000	27,7	111	18,1
49200	29,7	92,1	16,8
49700	32,1	86,3	15,6
42200	38,8	60,6	12,9
45900	42,1	60,6	11,9
49300	45,3	60,7	11,0
50100	48,8	57,2	10,2
44000	55,3	44,3	9,05
44000	59,7	41,0	8,37

B3Z 399

Mn ₂ [Nm]	i	Pn ₁ [kW]	n ₂ [rpm]
58500	12,7	257	39,4
66900	14,5	257	34,4
77000	16,7	257	29,9
82900	18,0	257	27,8
89400	19,4	257	25,8
90000	21,0	239	23,8
90000	23,5	213	21,3
90000	25,3	198	19,7
90000	29,2	172	17,1
68300	33,7	113	14,8
76600	37,8	113	13,2
82600	40,8	113	12,3
90000	47,0	107	10,6
81700	53,0	85,8	9,43
82400	57,4	80,1	8,72
81700	62,3	73,0	8,03

B3Z 349

Mn ₂ [Nm]	i	Pn ₁ [kW]	n ₂ [rpm]
40800	15,6	146	32,0
47100	18,0	146	27,7
54700	20,9	145	23,9
62600	24,0	145	20,9
68100	26,1	145	19,2
70000	28,5	137	17,6
70000	32,8	119	15,3
70000	35,6	110	14,1
63300	38,2	92,1	13,1
63900	41,2	86,3	12,1
54300	49,8	60,7	10,0
59000	54,1	60,6	9,24
63400	58,2	60,6	8,59
64500	62,8	57,2	7,97
56600	71,1	44,3	7,04
56600	76,8	41,0	6,51

B3Z 409

Mn ₂ [Nm]	i	Pn ₁ [kW]	n ₂ [rpm]
70700	15,4	257	32,6
80900	17,6	257	28,5
93200	20,2	257	24,7
100000	21,8	257	23,0
108000	23,5	257	21,3
110000	25,4	241	19,7
110000	28,5	215	17,6
110000	30,7	200	16,3
110000	35,3	173	14,1
82700	40,8	113	12,3
92700	45,8	113	10,9
99900	49,3	113	10,1
110000	56,9	108	8,80
98800	64,1	85,8	7,80
99700	69,4	80,1	7,21
98800	75,4	73,0	6,63

B4Z 219

Mn ₂ [Nm]	i	Pn ₁ [kW]	n ₂ [rpm]
19000	60,6	17,9	8,25
19000	70,3	15,4	7,11
19000	76,0	14,2	6,58
19000	91,2	11,9	5,48
19000	106	10,2	4,72
19000	115	9,41	4,35
15600	128	6,94	3,91
18700	153	6,94	3,26
19000	178	6,06	2,80
19000	193	5,60	2,59
18900	238	4,51	2,10
17100	275	3,53	1,82
15900	323	2,80	1,55

B4Z 269

Mn ₂ [Nm]	i	Pn ₁ [kW]	n ₂ [rpm]
29000	79,0	20,9	6,33
29000	85,7	19,3	5,84
29000	93,1	17,7	5,37
29000	112	14,7	4,46
29000	128	12,9	3,92
29000	138	12,0	3,63
27400	149	10,4	3,36
29000	180	9,19	2,79
29000	204	8,09	2,45
29000	220	7,50	2,27
29000	256	6,45	1,95
29000	292	5,64	1,71
28100	348	4,58	1,43

B4Z 319

Mn ₂ [Nm]	i	Pn ₁ [kW]	n ₂ [rpm]
55000	63,0	49,7	7,93
55000	68,4	45,8	7,31
55000	74,4	42,1	6,72
55000	81,2	38,6	6,16
55000	94,1	33,3	5,31
55000	109	28,8	4,59
47600	120	22,6	4,18
51900	131	22,6	3,83
55000	151	20,7	3,30
53100	188	16,1	2,66
53700	223	13,7	2,25
47300	273	9,86	1,83
48000	320	8,52	1,56

B4Z 249

Mn ₂ [Nm]	i	Pn ₁ [kW]	n ₂ [rpm]
24000	76,8	17,8	6,51
24000	89,1	15,3	5,61
24000	96,4	14,2	5,19
24000	116	11,8	4,32
24000	134	10,2	3,72
24000	146	9,38	3,43
19800	162	6,93	3,08
23700	195	6,93	2,57
24000	226	6,04	2,21
24000	245	5,58	2,04
24000	302	4,52	1,66
21600	349	3,53	1,43
20100	410	2,79	1,22

B4Z 279

Mn ₂ [Nm]	i	Pn ₁ [kW]	n ₂ [rpm]
36000	97,8	21,0	5,11
36000	106	19,3	4,72
36000	115	17,8	4,34
36000	139	14,8	3,60
36000	158	13,0	3,17
36000	170	12,0	2,94
33900	184	10,4	2,71
36000	222	9,22	2,25
36000	252	8,12	1,98
36000	272	7,52	1,84
36000	317	6,47	1,58
36000	362	5,66	1,38
34700	431	4,58	1,16

B4Z 349

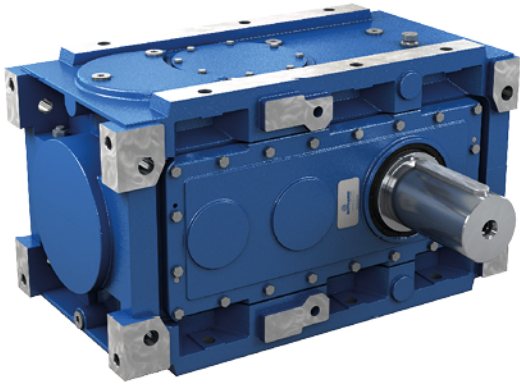
Mn ₂ [Nm]	i	Pn ₁ [kW]	n ₂ [rpm]
70000	81,0	49,2	6,17
70000	87,9	45,3	5,69
70000	95,6	41,7	5,23
70000	104	38,2	4,79
70000	121	32,9	4,13
70000	140	28,5	3,57
61200	154	22,6	3,25
66800	168	22,6	2,98
70000	195	20,5	2,57
68300	242	16,1	2,07
69100	286	13,7	1,75
60800	351	9,86	1,43
61700	412	8,52	1,21

B4Z 399

Mn ₂ [Nm]	i	Pn ₁ [kW]	n ₂ [rpm]
90000	70,5	72,7	7,10
90000	76,7	66,8	6,52
90000	82,8	61,9	6,04
90000	89,4	57,3	5,60
90000	105	48,7	4,75
90000	121	42,4	4,14
84700	123	39,1	4,05
90000	133	38,5	3,76
90000	144	35,6	3,48
90000	169	30,3	2,96
90000	194	26,4	2,57
87600	235	21,2	2,13
88500	275	18,3	1,82
89600	327	15,6	1,53

B4Z 409

Mn ₂ [Nm]	i	Pn ₁ [kW]	n ₂ [rpm]
110000	85,2	73,4	5,87
110000	92,8	67,5	5,39
110000	100	62,5	4,99
110000	108	57,9	4,63
110000	127	49,2	3,93
110000	146	42,9	3,42
103000	149	39,1	3,35
110000	161	38,9	3,10
110000	174	36,0	2,88
110000	205	30,6	2,44
110000	235	26,6	2,13
106000	285	21,2	1,76
107000	333	18,3	1,50
108000	396	15,6	1,26



PBH

10.1.1 Information

Nominal thermal capacity P_{th} is the maximum mechanical power that a gear reducer can transmit (under continuous duty) without its internal temperature rising to such a degree as to damage gear reducer components. Thermal capacity may be increased by using seals made from special rubber and synthetic oil, or suitable cooling devices. In the event of short duty cycles followed by periods of rest long enough to allow for gear reducer to cool down appropriately, thermal capacity loses significance and may be disregarded.

The scheme below indicates the nominal thermal power capacity [kW] according to the following conditions:

- Mounting position B3;
- Continuous operation at input speed ≤ 1500 rpm;
- Environment temperature $T_{amb}=20^{\circ}\text{C}$;
- Sea level altitude;
- Air speed around the gear reducer $\geq 1\text{m/s}$;
- Absence of external radial and/or axial loads;
- Lubricant oil up to 95°C (mineral oil) and 100°C (synthetic oil).

Table NOMINAL THERMAL CAPACITY P_{th}

Pth [kW]						
	PH - BH 180	PH - BH 200	PH - BH 225	PH - BH 250	PH - BH 280	PH - BH 355
P1H	125	152	186	239	294	448
P2H	96	116	142	184	228	344
P3H	73	89	109	141	170	272
P4H	56	68	83	108	130	208
B2H	81	98	119	155	190	293
B3H	70	85	103	134	162	259
B4H	53	65	79	103	124	198

When a thermal capacity up to P_{th} is applied to the gear reducer under the reference conditions outlined above, the proper lubrication and operation of the gear reducer are guaranteed.

10.1.2 Verification

Verification of the application

The thermal limit of a gear reducer under real-life application conditions must be verified for each and every application using the following formula:

$P_1 < P_{th} * f_{ta} * f_{tb} * f_{tc} * f_{tn} * f_{ts} * f_{tv} * F_{mp}$, where:

- P_1 = installed power [kW]
- P_{th} = thermal capacity under reference conditions [kW] (see table "Nominal thermal capacity");
- f_{ta} = sea-level elevation correction factor (see table);
- f_{tb} = cooling fan correction factor (see table);
- f_{ta} = ambient and operating temperature correction factor (see table);
- f_{tn} = input speed n1 correction factor;
- f_{ts} = cooling coil correction factor (see table);
- f_{tv} = airflow speed correction factor around the gear reducer (see table);
- F_{mp} = mounting position correction factor (see table).

Correction factors reflect operating conditions other than the reference conditions and are obtained from the following ISO14179 tables:

Table
Correction factor f_{ta}

Altitude [m]	f_{ta}
0	1
750	0,95
1500	0,9
2250	0,85
3000	0,81

Table
Correction factor f_{tb}

	n1 [rpm]	f_{tb}
P1H P2H P3H	1500	1,7
	1000	1,5
B2H B3H	1500	1,8
	1000	1,6

Table
Correction factor f_{tc}

	f_{tc}	Duty per hour of operation %				
		100	80	60	40	20
Ambient temperature °C	10	1,15	1,25	1,35	1,5	2
	20	1	1,05	1,15	1,35	1,75
	30	0,9	1	1,05	1,25	1,5
	40	0,75	0,8	0,9	1	1,35
	50	0,6	0,63	0,7	0,8	1

Table
Correction factor f_{tn}

	f_{tn}	n1 [rpm]				
		700	900	1140	1400	1800
P1H	1,15	1,1	1,05	1	0,8	
P2H - B2H	1,1	1,07	1,05	1	0,85	
P3H - P4H - B3H - B4H	1,07	1,05	1,05	1	0,95	

Table
Correction factor f_{ts}

	f_{ts}
PBH	2

Table
Correction factor f_{tv}

Ventilation correction factor	f_{tv}
Stagnant air (<0,5 m/s)	0,75
Indoor installation with slight ventilation	1
Indoor installation with good ventilation (>1,4 m/s)	1,4

Table
 F_{mp} (Factor mounting position)

	F_{mp}						
	P1H	P2H	P3H	P4H	B2H	B3H	B4H
B3	1	1	1	1	1	1	1
B6	0,8	0,85	0,85	0,85	0,8	0,8	0,75
B7	0,8	0,75	0,75	0,75	0,8	0,75	0,7
B8	1	1	1	1	1	1	1
V5	0,8	0,75	0,75	0,75	0,75	0,75	0,7
V6	0,8	0,85	0,85	0,85	0,8	0,8	0,75

If unit is to operate at input speeds higher than 1800 rpm, or at ambient temperatures exceeding 40 °C, please contact MOTOVARIO TECHNICAL SERVICE.

Cooling unit

They are auxiliary cooling systems to be used if fan and coil are not enough to carry out the thermal check.

They are heat exchanges (oil/air and oil/water) consisting of motor pump (screw or gear pump, connected to motor through a joint), motor fan (for oil/air), minimum pressure switch, pressure gauge and thermometer.

The following accessories are available upon request:

- PT100 oil temperature sensor for heat exchanger control.

Heat exchanger must be sized according to the following formula:

$P_e = (P_1 - P_t) * (1 - \eta) * 1.18$ where:

P_e = thermal exchange capacity [kW]

P_1 = gear reducer input installed power [kW]

P_t = nominal thermal power [kW]

η = gear reducer efficiency

For ambient temperature values above 20°C and water temperatures other than 30°C, contact MOTOVARIO TECHNICAL SERVICE.

Table Pta (ADDITIONAL THERMAL CAPACITY) WATER - OIL

URO/W	Pta (max)						
	PIH	P2H	P3H	P4H	B2H	B3H	B4H
4	200	100	67	50	80	57	44
7	315	175	105	79	126	90	70
12	540	300	180	135	216	154	120
18	810	450	270	203	324	231	180
29	1305	725	435	326	522	373	290
40	1800	1000	600	450	720	514	400
50	2250	1250	750	563	900	643	500

Table Pta (ADDITIONAL THERMAL CAPACITY) AIR - OIL

URO/A	Pta (max)						
	PIH	P2H	P3H	P4H	B2H	B3H	B4H
4	169	100	56	42	68	48	38
7	297	175	99	74	119	85	66
12	508	300	169	127	203	145	113
18	763	450	254	191	305	218	169
29	1229	725	410	307	492	351	273
40	1695	1000	565	424	678	484	377
50	2119	1250	706	530	847	605	471

The value of maximum input speed $n_1 \text{ max}$ shown in the table reflects continuous duty S1 (operation under steady loading for a period long enough to achieve thermal balance) and the B3 mounting position.

Continuous speeds above 1800 rpm are nevertheless not recommended since they could cause overheating and early deterioration of seals, bearings and lubricant.

Mounting positions other than B3 could make it necessary to use dedicated forced lubrication systems, while the transmission ratio could in some cases originate a further limitation of the permissible maximum input speed $n_1 \text{ max}$, contact MOTOVARIO TECHNICAL SERVICE.

For intermittent duty, please contact MOTOVARIO TECHNICAL SERVICE.

Table MAXIMUM PERMISSIBLE INPUT SPEED $n_1 \text{ max}$

$n_1 \text{ max}$ [rpm]							
PH - BH	P1H	P2H	P3H	P4H	B2H	B3H	B4H
180	2800	2800	2800	2800	2800	2800	2800
200	2400	2800	2800	2800	2400	2800	2800
225	2240	2800	2800	2800	2240	2800	2800
250	2000	2400	2800	2800	2000	2400	2800
280	1800	2240	2800	2800	1800	2000	2800
355	1400	1800	2400	2800	1400	1800	2400

For the gear reducers of the PBH series, it is always necessary to specify the mounting position.

The amount of oil in the table are merely indicative only and for the proper topping up you will have to refer to the level plug or the dipstick, if any. Any deviations in level can depend on construction tolerances but also by the placement of the unit or by the mounting surface at the customers' premises. For this reason it is appropriate that the customer checks and, if necessary, restores the level when the unit are installed.

Table OIL CAPACITIES IN LITRES ~ [l]

	PIH						P2H					
	180	200	225	250	280	355	180	200	225	250	280	355
B3	12	18	26	39	56	127	11	16	23	35	50	114
B3R	12	18	26	39	56	127	11	16	23	35	50	114
B6	15	21	31	47	64	149	22	30	42	64	89	201
B7	21	28	37	56	94	169	19	26	33	51	85	152
V5	15	19	29	47	68	137	14	17	26	43	61	123
V6	15	19	29	47	68	137	14	17	26	43	61	123

	P3H						P4H					
	180	200	225	250	280	355	180	200	225	250	280	355
B3	15	21	33	49	60	147	13	19	29	44	54	133
B3R	15	21	33	49	60	147	13	19	29	44	54	133
B6	31	42	60	88	126	273	28	38	54	80	113	246
B7	27	33	49	74	99	216	24	30	44	66	89	195
V5	17	21	34	56	73	158	15	19	30	50	65	143
V6	17	21	34	56	73	158	15	19	30	50	65	143

	B2H						B3H						B4H					
	180	200	225	250	280	355	180	200	225	250	280	355	180	200	225	250	280	355
B3	13	20	28	42	61	140	12	18	26	39	56	127	16	24	36	54	66	162
B3R	13	20	28	42	61	140	12	18	26	39	56	127	16	24	36	54	66	162
B6	16	23	34	51	70	164	25	33	46	71	99	224	34	46	65	97	139	301
B7	23	31	41	62	104	186	21	28	37	56	94	169	30	37	54	81	108	238
V5	17	21	32	52	74	150	15	19	29	47	68	137	19	23	37	61	80	174
V6	17	21	32	52	74	150	15	19	29	47	68	137	19	23	37	61	80	174

10.4.1 Information

Permissible radial load [N] values are indicated in the following tables and refer to the load applied at shaft midpoint in the worst conditions, in terms of angle of application and direction of rotation. RADIAL and THRUST LOADING tables for output shafts give the maximum permissible value according to the number of cycles of the output shaft. This value must never be exceeded as it is connected with casing strength. In the event of special conditions that exceed the ratings given in the catalogue, please contact MOTOVARIO TECHNICAL SERVICE and submit the full application data: direction of loading, direction of rotation of shaft, type of duty. For double-ended and hollow shafts, where radial loading is to be applied at both ends, maximum permissible loads must be determined according to specific operating conditions. When this is the case, please contact MOTOVARIO TECHNICAL SERVICE. Shaft radial loading is calculated by the following formula: $Fr_e = (2000 \cdot M \cdot fz) / D \leq Fr_1$ or Fr_2 where:

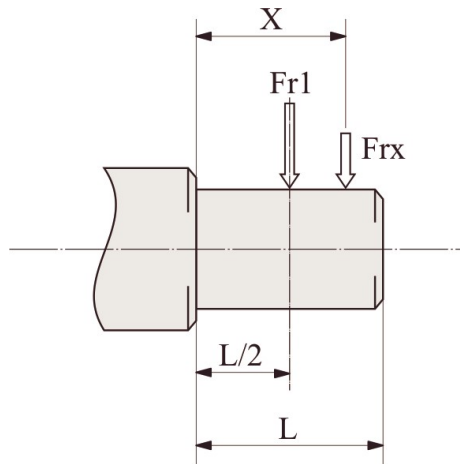
- **Fr_e** [N] Resultant radial load
- **M** [Nm] Shaft torque
- **D** [mm] Diameter of transmission element mounted on the shaft
- **Fr₁-Fr₂** [N] Maximum permissible radial loading (see relevant tables)
- **fz** = 1,1 Gear pinion
 1,4 Chain wheel
 1,4 Pulley for timing belt drive
 2,5 V belt pulley

10.4.2 Input - Radial load

When the radial load is not on the centre line of the shaft, it is necessary to adjust the admissible radial load Fr₁ with the formula:

$$Fr_x = (Fr_1 \cdot a) / (b + x)$$

- **a**, **b** = values given in the tables
- **x** = distance from the point of application of the load to the shaft shoulder ($x_{max} \leq L$)



(**) Fr₁ [N] is the permissible radial load value from the gear reducer in continuous service, applied at the centre line of the shaft, considering input speed $n_1 = 1400$ rpm.

P1H	180	200	225	250	280	355
a	338	386	419	449	503	605
b	283	316	349	379	418	510
Fr₁ (**)	10000	15000	15000	25000	28000	35000

10.4 OVERHUNG/AXIAL LOAD

(**) Fr1 [N] is the permissible radial load value from the gear reducer in continuous service, applied at the centre line of the shaft, considering input speed $n_1 = 1400$ rpm.

P2H	180	200	225	250	280	355
a	338	384	430	460	506	618
b	283	329	360	390	436	533
Fr1 (**)	3000	4000	5500	10000	12000	21000

P3H	180	200	225	250	280	355
a	329	363	415	448	490	608
b	289	323	360	393	420	538
Fr1 (**)	3000	4000	5000	9000	12000	20000

P4H	180	200	225	250	280	355
a	315	355	396	439	480	585
b	285	325	356	399	425	530
Fr1 (**)	2300	2500	3000	2200	3200	4500

B2H	180	200	225	250	280	355
a	249	270	318	326	334	417
b	194	215	248	256	264	332
Fr1 (**)	7000	8000	12000	13000	15000	20000

B3H	180	200	225	250	280	355
a	190	204	249	270	318	334
b	150	164	194	215	248	264
Fr1 (**)	3500	4500	11000	12000	14000	18000

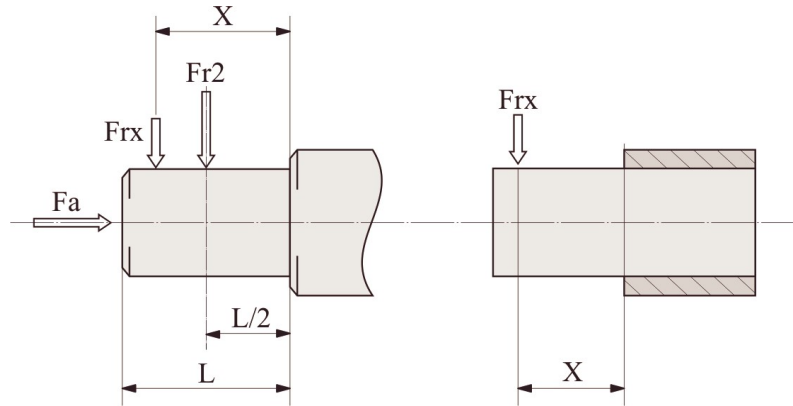
B4H	180	200	225	250	280	355
a	156	154	190	204	249	318
b	126	124	150	164	194	248
Fr1 (**)	3000	3800	4500	6000	13000	17000

10.4.3 Output - Radial/Axial load

When the radial load is not on the centre line of the shaft, it is necessary to adjust the admissible radial load Fr_2 with the formula:

$$Fr_x = (Fr_2 \cdot a) / (b + x)$$

- a, b = values given in the tables
- x = distance from the point of application of the load to the shaft shoulder ($x_{max} \leq L$)



(**) $Fr_2 \text{ max [N]}$ Maximum permissible value for gear reducer under static conditions and/or for short periods of duty. For continuous-duty radial loading, please verify the values given in the specific tables based on the number of calculated cycles according to casing, shaft and bearings.

If both radial and thrust loads are applied at the same time, only 20% of the thrust load given in the table is allowed. In the event of mounting on the short side, please contact MOTOVARIO TECHNICAL SERVICE.

P1H -P2H B2H	180	200	225	250	280	355
a	352	391	430	467	518	636
b	302	336	370	402	448	546
Fr2 max (**)	67000	72000	80000	95000	125000	200000

P3H -P4H B3H - B4H	180	200	225	250	280	355
a	360	399	439	477	528	643
b	310	344	379	412	458	553
Fr2 max (**)	67000	72000	80000	95000	125000	200000

P1H - P2H - P3H - P4H B2H - B3H - B4H				
Size 180				
n2*Lh	Fr2_100	Fr2_75	Fr2_50	Fa_100
6300000	14200	19900	21900	9200
5000000	14500	20500	22600	9400
4000000	15000	21100	23300	9800
3150000	15800	21800	24000	10200
2500000	18000	22500	24700	10700
2000000	21000	23700	26000	11000
1600000	27800	24900	27400	11200
1250000	30000	26200	28800	11400
1000000	31800	27600	30400	11600
800000	32700	30700	33700	11900
630000	33800	34100	37500	12100
500000	35800	37900	41600	12300
400000	42200	44500	49000	13000
315000	49600	52400	57600	13600
250000	52900	58200	64000	14300

n2*Lh = Number of cycles of output shaft

Fr2_100 = Radial force with 100% M_n

Fr2_75 = Radial force with 75% M_n

Fr2_50 = Radial force with 50% M_n

Fa_100 = Thrust force with 100% M_n

(**) Fr2 max [N] Maximum permissible value for gear reducer under static conditions and/or for short periods of duty. For continuous-duty radial loading, please verify the values given in the specific tables based on the number of calculated cycles according to casing, shaft and bearings.

If both radial and thrust loads are applied at the same time, only 20% of the thrust load given in the table is allowed. In the event of mounting on the short side, please contact MOTOVARIO TECHNICAL SERVICE.

P1H - P2H - P3H - P4H B2H - B3H - B4H				
Size 200				
n2*Lh	Fr2_100	Fr2_75	Fr2_50	Fa_100
6300000	24800	27300	29400	10000
5000000	25300	27800	30000	10200
4000000	25800	28400	30600	10500
3150000	26300	29000	31300	10700
2500000	30400	33400	36100	10900
2000000	33300	36600	42100	11100
1600000	34000	37400	40400	11300
1250000	34700	38200	41200	11600
1000000	35400	38900	42000	11800
800000	36100	39700	42900	12000
630000	36900	40500	43800	12300
500000	38100	41900	45200	12700
400000	43500	47900	51700	14500
315000	51100	56300	60800	17000
250000	61700	65400	69400	20600

n2*Lh = Number of cycles of output shaft

Fr2_100 = Radial force with 100% M_n

Fr2_75 = Radial force with 75% M_n

Fr2_50 = Radial force with 50% M_n

Fa_100 = Thrust force with 100% M_n

(**) Fr2 max [N] Maximum permissible value for gear reducer under static conditions and/or for short periods of duty. For continuous-duty radial loading, please verify the values given in the specific tables based on the number of calculated cycles according to casing, shaft and bearings.

If both radial and thrust loads are applied at the same time, only 20% of the thrust load given in the table is allowed. In the event of mounting on the short side, please contact MOTOVARIO TECHNICAL SERVICE.

P1H - P2H - P3H - P4H B2H - B3H - B4H				
Size 225				
n2*Lh	Fr2_100	Fr2_75	Fr2_50	Fa_100
6300000	32200	34100	36200	16000
5000000	33200	35200	37300	16100
4000000	34200	36200	38400	16300
3150000	35300	37400	39600	16500
2500000	36300	38500	40800	16600
2000000	37500	39700	42100	16800
1600000	38600	40900	43400	17000
1250000	39800	42200	44700	17100
1000000	41100	43500	46100	17300
800000	42300	44900	47600	17500
630000	43600	46200	49000	17700
500000	48500	51400	54500	19400
400000	53900	57100	60500	19700
315000	59900	63400	67200	20000
250000	66200	70100	74300	22100

n2*Lh = Number of cycles of output shaft

Fr2_100 = Radial force with 100% M_n

Fr2_75 = Radial force with 75% M_n

Fr2_50 = Radial force with 50% M_n

Fa_100 = Thrust force with 100% M_n

(**) Fr2 max [N] Maximum permissible value for gear reducer under static conditions and/or for short periods of duty. For continuous-duty radial loading, please verify the values given in the specific tables based on the number of calculated cycles according to casing, shaft and bearings.

If both radial and thrust loads are applied at the same time, only 20% of the thrust load given in the table is allowed. In the event of mounting on the short side, please contact MOTOVARIO TECHNICAL SERVICE.

P1H - P2H - P3H - P4H B2H - B3H - B4H				
Size 250				
n2*Lh	Fr2_100	Fr2_75	Fr2_50	Fa_100
6300000	39400	43400	46200	18700
5000000	40000	44000	46900	19000
4000000	40600	44700	47600	19300
3150000	41300	45400	48300	19600
2500000	43600	46300	49000	19900
2000000	44300	47000	49800	20200
1600000	45000	47700	50500	20500
1250000	45700	48400	51300	20800
1000000	46400	49100	52100	21200
800000	47100	49900	52900	21500
630000	47800	50600	53700	21800
500000	49700	59700	71600	22100
400000	53400	64100	76900	22500
315000	62200	74600	89500	22800
250000	69500	83400	91300	23200

n2*Lh = Number of cycles of output shaft

Fr2_100 = Radial force with 100% M_n

Fr2_75 = Radial force with 75% M_n

Fr2_50 = Radial force with 50% M_n

Fa_100 = Thrust force with 100% M_n

(**) Fr2 max [N] Maximum permissible value for gear reducer under static conditions and/or for short periods of duty. For continuous-duty radial loading, please verify the values given in the specific tables based on the number of calculated cycles according to casing, shaft and bearings.

If both radial and thrust loads are applied at the same time, only 20% of the thrust load given in the table is allowed. In the event of mounting on the short side, please contact MOTOVARIO TECHNICAL SERVICE.

P1H - P2H - P3H - P4H B2H - B3H - B4H				
Size 280				
n2*Lh	Fr2_100	Fr2_75	Fr2_50	Fa_100
6300000	60900	70100	82800	20500
5000000	61900	71100	84500	20800
4000000	62800	72200	86200	21100
3150000	63800	73300	88000	21400
2500000	65300	71800	82600	21800
2000000	66300	72900	83900	22100
1600000	67300	74000	85100	22400
1250000	68300	75200	86400	22800
1000000	69400	76300	87800	23100
800000	70400	77500	89100	23500
630000	71500	78700	90400	23800
500000	78000	85800	98700	26000
400000	84500	93000	106900	28200
315000	88200	97000	111600	29400
250000	91500	109700	122700	30500

n2*Lh = Number of cycles of output shaft

Fr2_100 = Radial force with 100% M_n

Fr2_75 = Radial force with 75% M_n

Fr2_50 = Radial force with 50% M_n

Fa_100 = Thrust force with 100% M_n

(**) Fr2 max [N] Maximum permissible value for gear reducer under static conditions and/or for short periods of duty. For continuous-duty radial loading, please verify the values given in the specific tables based on the number of calculated cycles according to casing, shaft and bearings.

If both radial and thrust loads are applied at the same time, only 20% of the thrust load given in the table is allowed. In the event of mounting on the short side, please contact MOTOVARIO TECHNICAL SERVICE.

P1H - P2H - P3H - P4H B2H - B3H - B4H				
Size 355				
n2*Lh	Fr2_100	Fr2_75	Fr2_50	Fa_100
6300000	57400	68900	86100	27900
5000000	63800	76500	95700	28200
4000000	70900	85100	106300	28500
3150000	78800	94500	118100	28800
2500000	82500	99000	123800	29100
2000000	105000	126000	157500	29400
1600000	120000	128300	161000	29700
1250000	126000	131600	162600	30000
1000000	117000	135000	164300	30300
800000	120000	138500	165900	30600
630000	123500	142000	167600	30900
500000	130000	149500	176400	32500
400000	143000	164500	179900	35800
315000	149500	171900	188900	37400
250000	163800	188400	198400	41000

n2*Lh = Number of cycles of output shaft

Fr2_100 = Radial force with 100% M_n

Fr2_75 = Radial force with 75% M_n

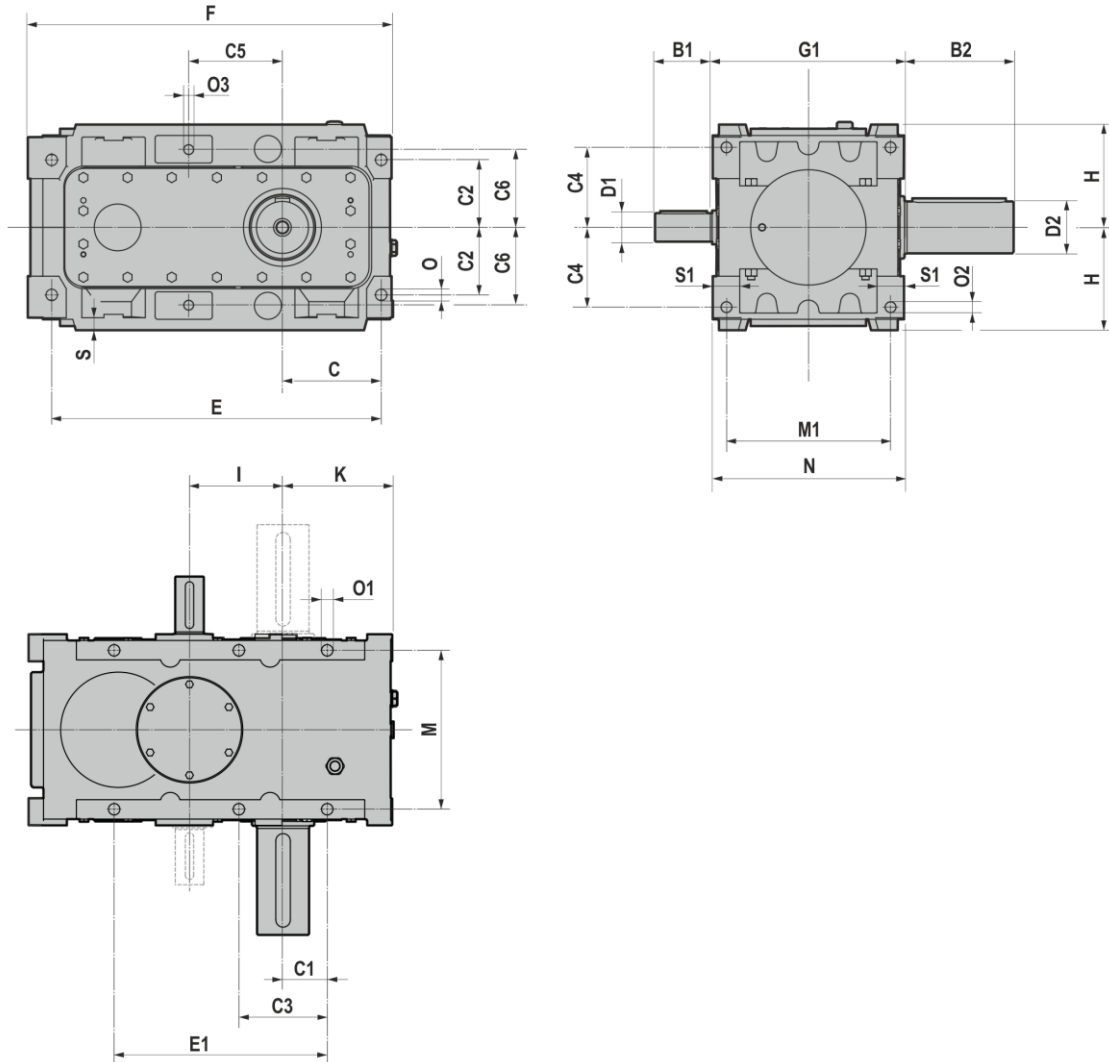
Fr2_50 = Radial force with 50% M_n

Fa_100 = Thrust force with 100% M_n

(**) Fr2 max [N] Maximum permissible value for gear reducer under static conditions and/or for short periods of duty. For continuous-duty radial loading, please verify the values given in the specific tables based on the number of calculated cycles according to casing, shaft and bearings.

If both radial and thrust loads are applied at the same time, only 20% of the thrust load given in the table is allowed. In the event of mounting on the short side, please contact MOTOVARIO TECHNICAL SERVICE.

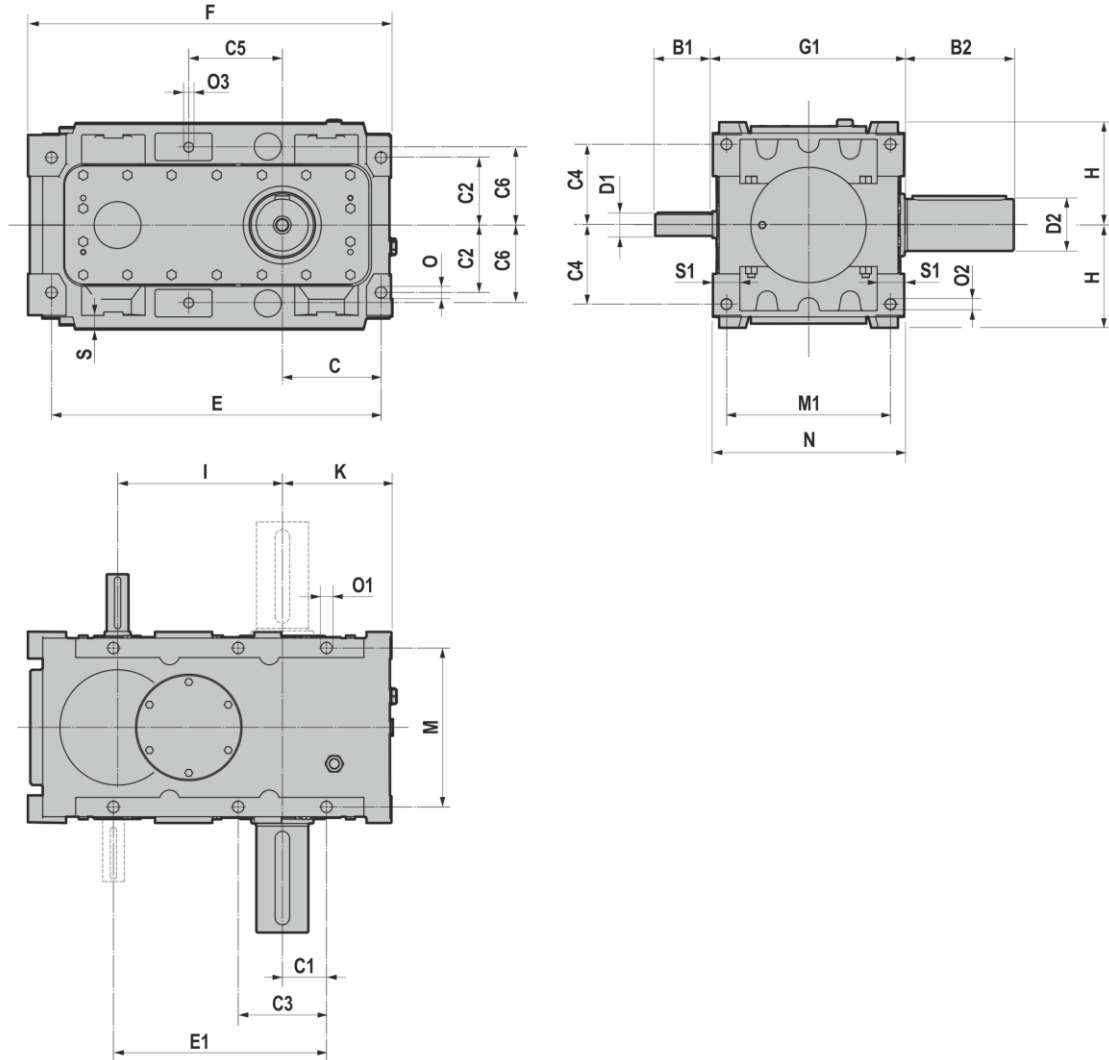
11.1.1 P1H



P1H	D2	B2	$i_n \leq 4$		$i_n > 4$		C	C1	C2	C3	C4	C5	C6	E	E1
			D1	B1	D1	B1									
180	100	210	60	140	55	110	190	85	130	-	157	180	150	634	410
200	110	210	65	140	60	140	200	95	145	190	115	190	165	674	450
225	120	210	70	140	65	140	220	100	150	200	189	205	185	753	503
250	130	250	80	170	70	140	255	125	210	250	251	330	255	830	570
280	140	250	90	170	80	170	275	135	230	270	265	270	230	966	635
355	180	300	110	190	100	190	380	200	285	400	330	410	285	1220	825

P1H	F	G1	H	I	K	M	M1	N	O	O1	O2	O3	S	S1
180	700	370	198	180	210	306	312	360	22	22	M22	M18	24	48
200	745	410	220	200	223	335	347	400	26	22	M22	M20	29	53
225	832	450	243	225	248	366	383	440	28	24	M24	M22	34	57
250	915	490	300	250	285	380	410	480	28	24	M24	M24	29	70
280	1060	540	320	280	308	430	440	530	30	26	M27	M24	29	79
355	1340	640	390	355	425	495	570	630	35	35	M33	M30	42	60

11.1.2 P2H

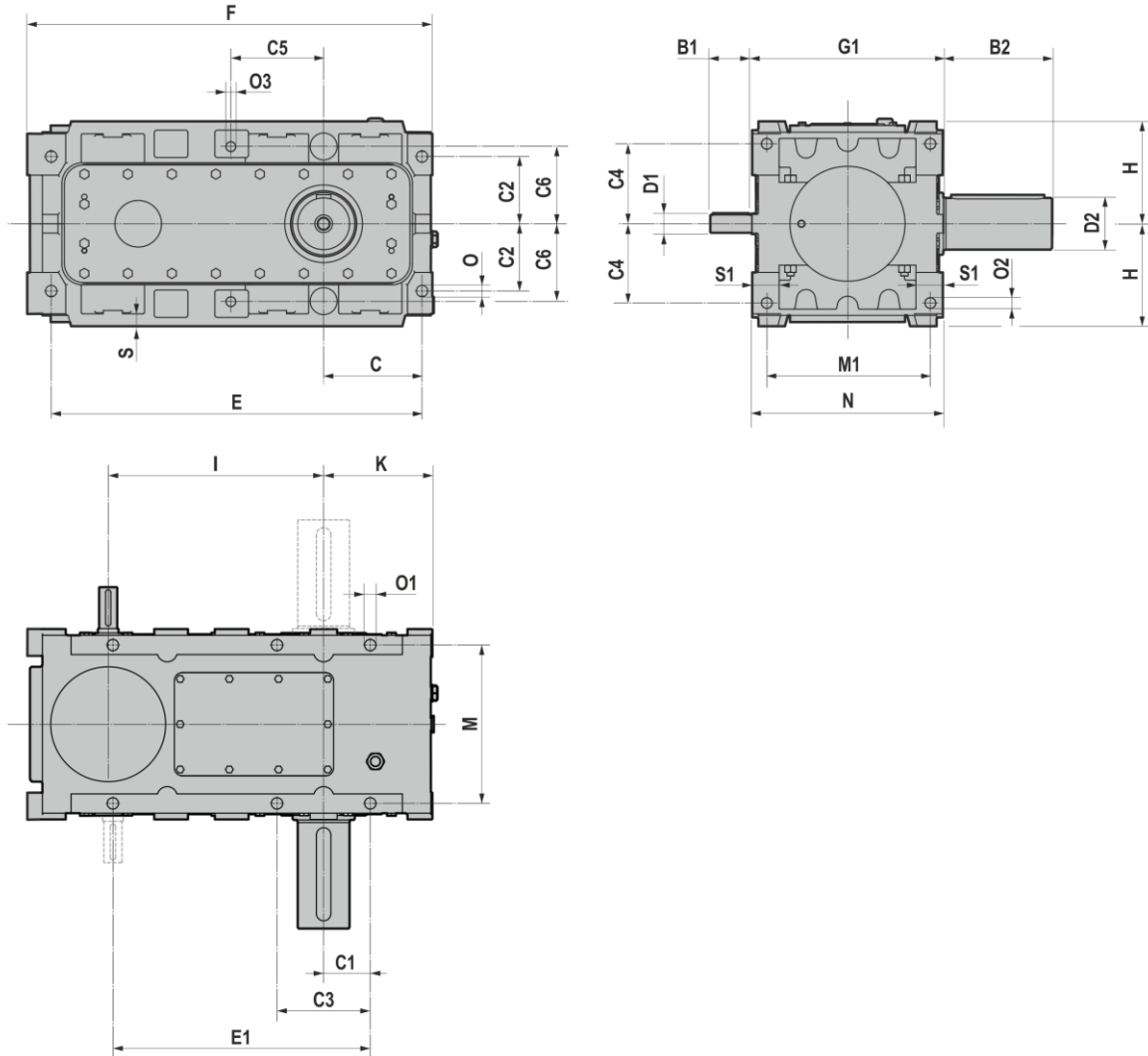


P2H	D2	B2	D1	B1	C	C1	C2	C3	C4	C5	C6	E	E1	F
180	100	210	48	110	190	85	130	-	157	180	150	634	410	700
200	110	210	55	110	200	95	145	190	115	190	165	674	450	745
225	120	210	60	140	220	100	150	200	189	205	185	753	503	832
250	130	250	65	140	255	125	210	250	251	330	255	830	570	915
280	140	250	70	140	275	135	230	270	265	270	230	966	635	1060
355	180	300	90	170	380	200	285	400	330	410	285	1220	825	1340

P2H	G1	H	I	K	M	M1	N	O	O1	O2	O3	S	S1
180	370	198	317	210	306	312	360	22	22	M22	M18	24	48
200	410	220	352	223	335	347	400	26	22	M22	M20	29	53
225	450	243	397	248	366	383	440	28	24	M24	M22	34	57
250	490	300	440	285	380	410	480	28	24	M24	M24	29	70
280	540	320	493	308	430	440	530	30	26	M27	M24	29	79
355	640	390	625	430	495	570	630	35	35	M33	M30	42	60

PBH

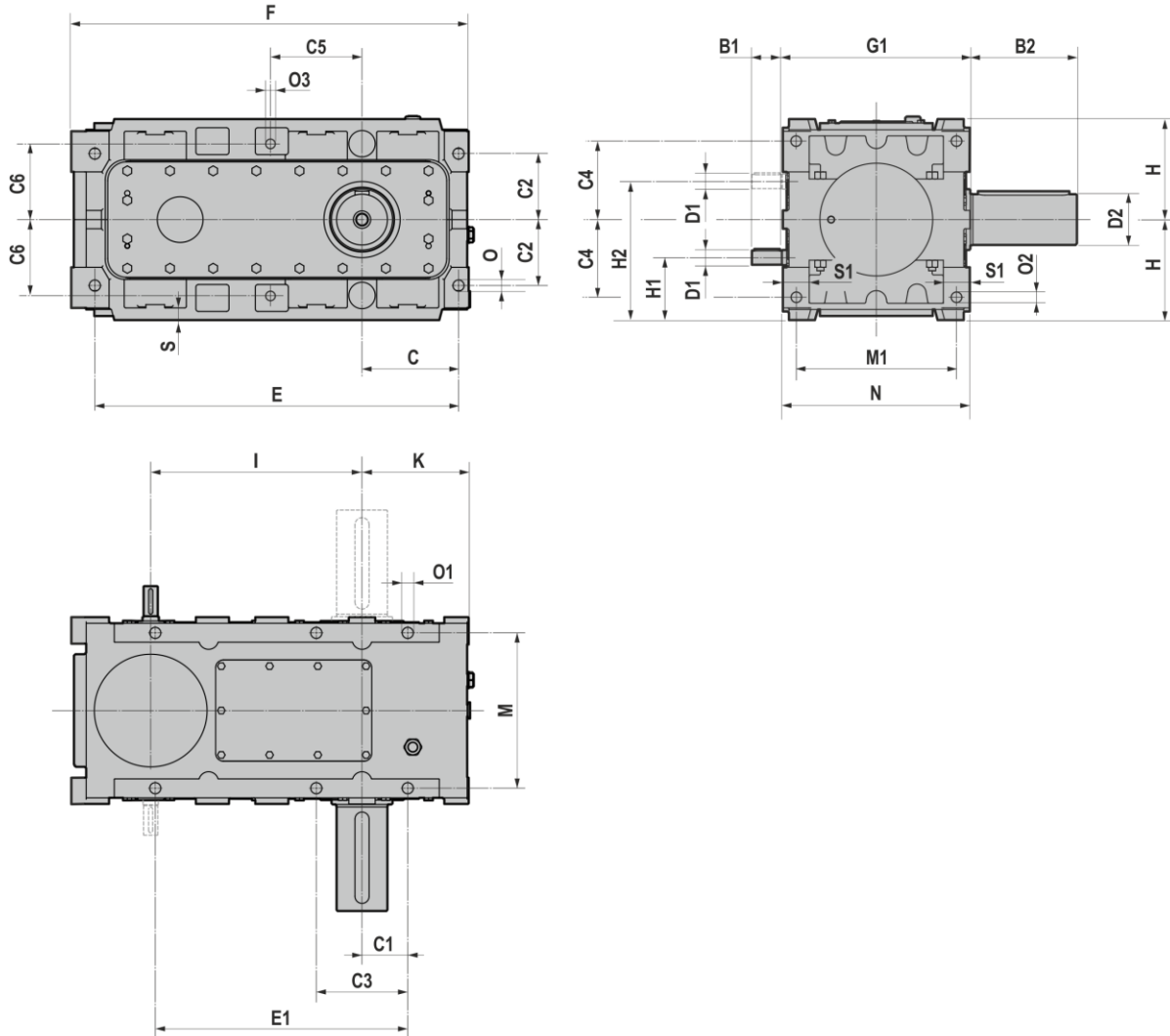
11.1.3 P3H



P3H	D2	B2	D1	B1	C	C1	C2	C3	C4	C5	C6	E	E1	F
180	100	210	38	80	190	90	130	180	157	180	150	716	497	782
200	110	210	42	110	200	95	145	190	171	190	165	785	560	850
225	120	210	48	110	220	100	150	200	189	205	185	868	618	946
250	130	250	55	110	255	125	210	270	251	220	246	970	710	1053
280	140	250	60	140	270	135	230	270	265	270	230	1070	790	1163
355	180	300	70	140	380	200	285	400	330	365	285	1395	1030	1510

P3H	G1	H	I	K	M	M1	N	O	O1	O2	O3	S	S1
180	370	198	416	210	306	312	360	22	22	M22	M18	24	48
200	410	220	462	223	335	347	400	26	22	M22	M20	30	53
225	450	243	527	248	366	383	440	28	24	M24	M22	34	57
250	490	300	577	285	386	410	480	28	24	M24	M24	29	66
280	540	320	647	306	430	470	530	30	26	M24	M24	29	60
355	640	390	820	425	494	570	630	35	35	M33	M30	42	59

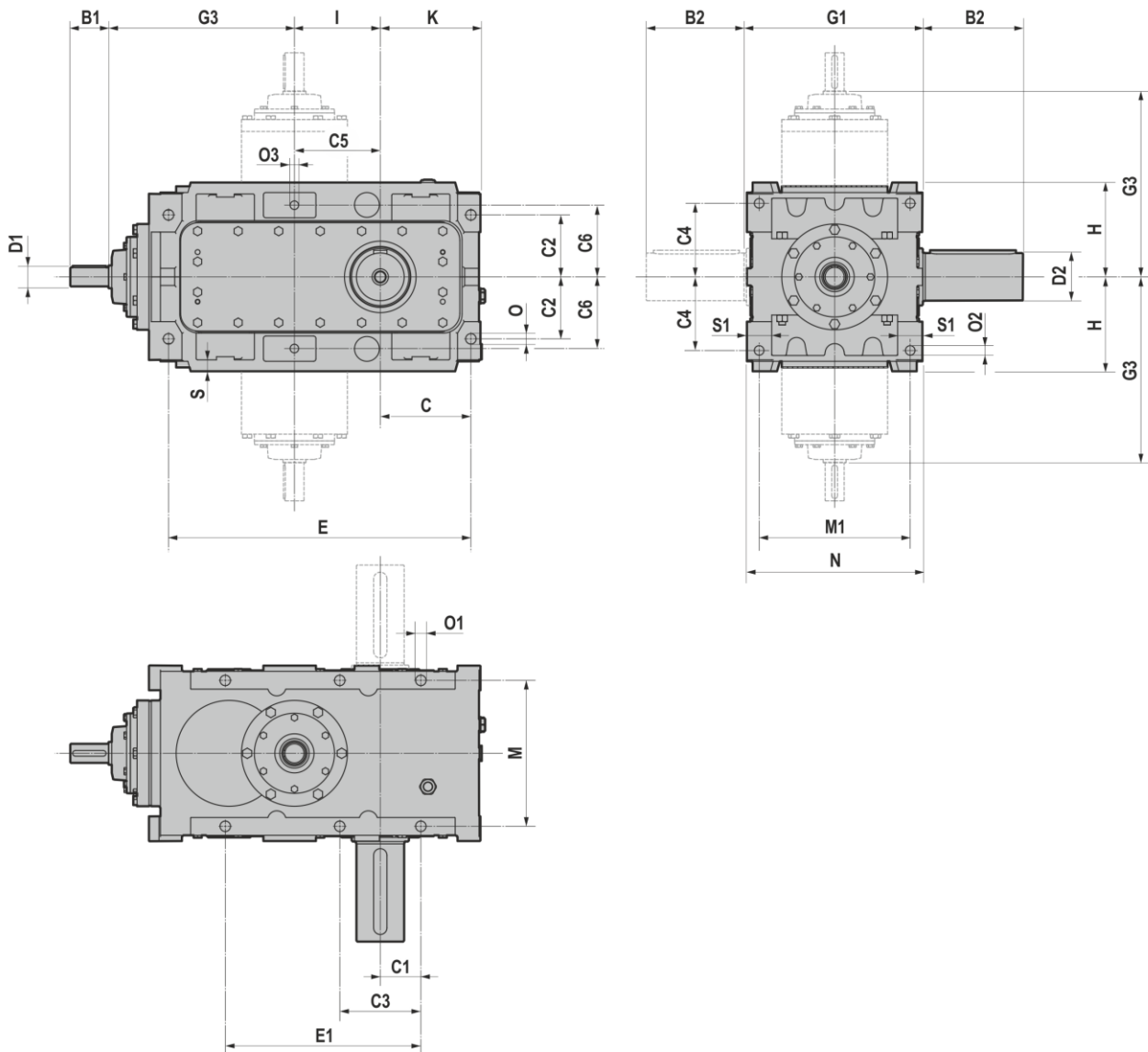
11.1.4 P4H



P4H	D2	B2	D1	B1	C	C1	C2	C3	C4	C5	C6	E	E1	F	G1
180	100	210	28	60	190	90	130	180	157	180	150	716	497	782	370
200	110	210	28	60	200	95	145	190	171	190	165	785	560	850	410
225	120	210	32	80	220	100	150	200	189	205	185	868	618	946	450
250	130	250	38	80	255	125	210	270	251	220	246	970	710	1053	490
280	140	250	42	110	270	135	230	270	265	270	230	1070	790	1163	540
355	180	300	55	110	380	200	285	400	330	365	285	1395	1030	1510	640

P4H	H	H1	H2	I	K	M	M1	N	O	O1	O2	O3	S	S1
180	198	123	273	416	210	306	312	360	22	22	M22	M18	24	48
200	220	136	304	462	223	335	347	400	26	22	M22	M20	30	53
225	243	164	340	527	248	366	383	440	28	24	M24	M22	34	57
250	300	200	400	577	285	386	410	480	28	24	M24	M24	29	66
280	320	212	428	599,5	306	430	470	530	30	26	M24	M24	29	60
355	390	254	526	759,1	425	494	570	630	35	35	M33	M30	42	59

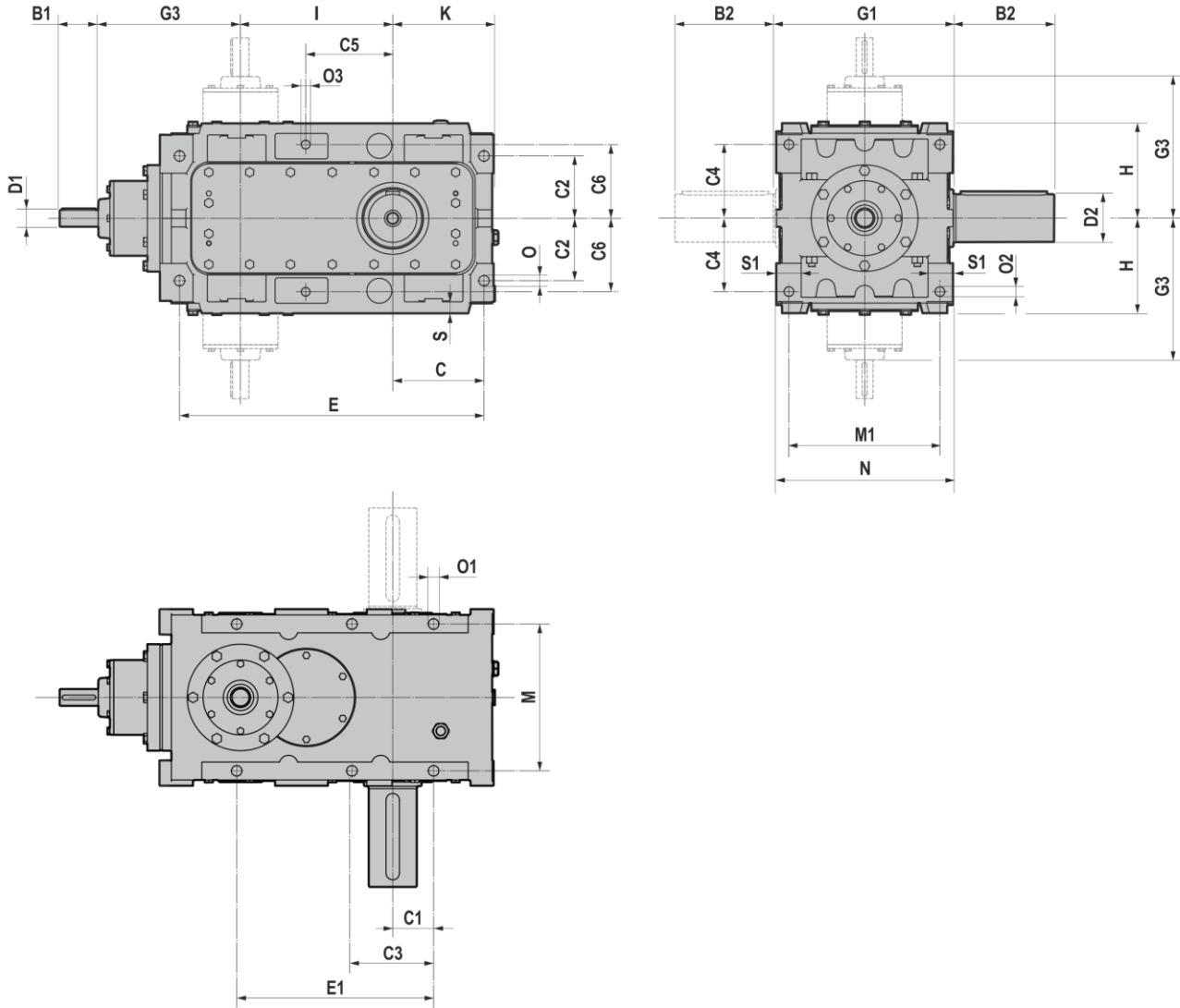
11.1.5 B2H



B2H	D2	B2	D1	B1	C	C1	C2	C3	C4	C5	C6	E	E1	G1
180	100	210	42	110	190	85	130	-	157	180	150	634	410	370
200	110	210	48	110	200	95	145	190	115	190	165	674	450	410
225	120	210	60	140	220	100	150	200	189	205	185	753	503	450
250	130	250	65	140	255	125	210	250	251	330	255	830	570	490
280	140	250	70	140	275	135	230	270	265	270	230	966	635	540
355	180	300	90	170	380	200	285	400	330	410	285	1220	825	640

B2H	G3	H	I	K	M	M1	N	O	O1	O2	O3	S	S1
180	390	198	180	210	306	312	360	22	22	M22	M18	24	48
200	438	220	200	223	335	347	400	26	22	M22	M20	29	53
225	538	243	225	248	366	383	440	28	24	M24	M22	34	57
250	556	300	250	285	380	410	480	28	24	M24	M24	29	70
280	573	320	280	308	430	440	530	30	26	M27	M24	29	79
355	695	390	355	430	495	570	630	35	35	M33	M30	42	60

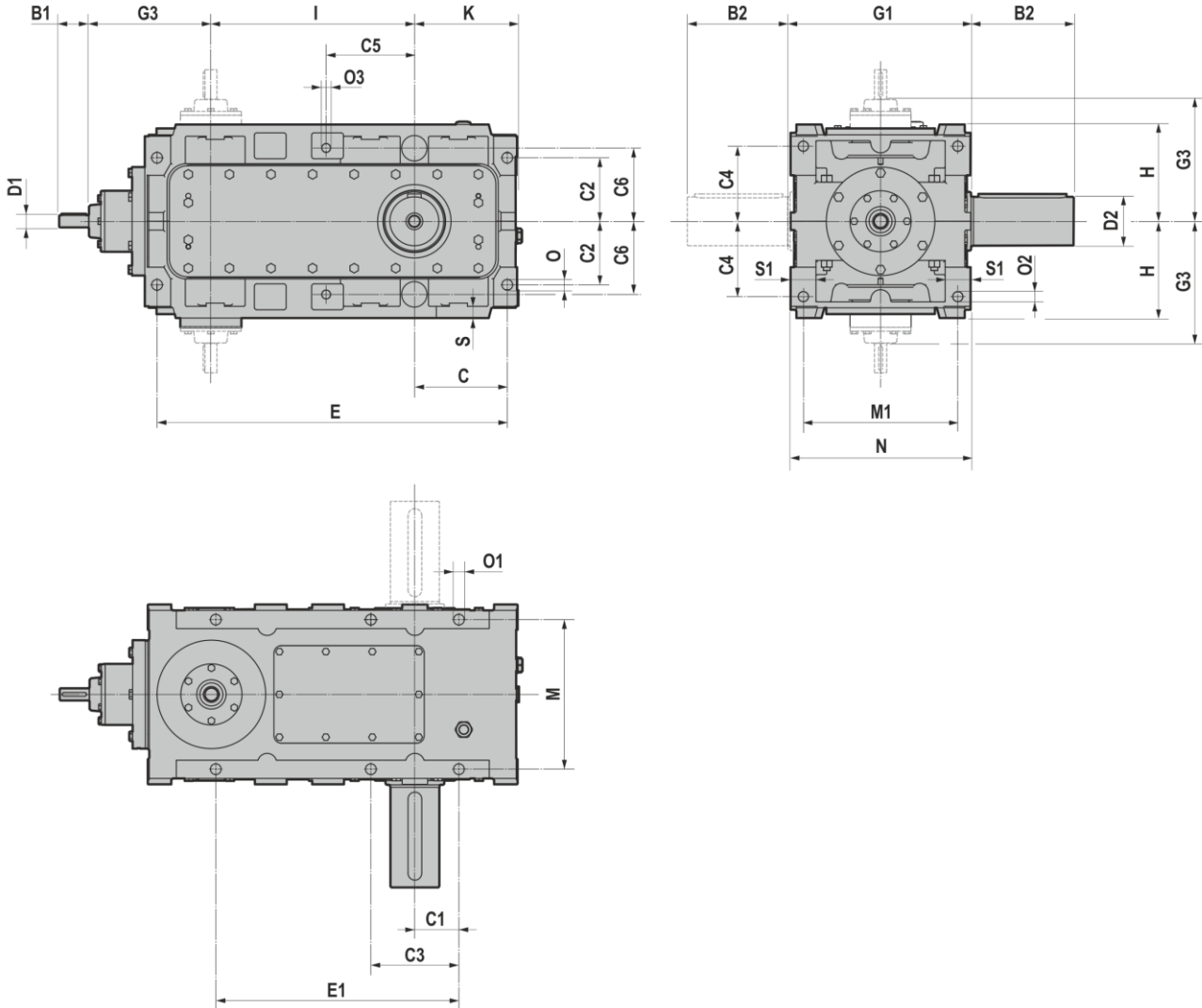
11.1.6 B3H



B3H	D2	B2	D1	B1	C	C1	C2	C3	C4	C5	C6	E	E1	G1
180	100	210	35	80	190	85	130	-	157	180	150	634	410	370
200	110	210	38	80	200	95	145	190	115	190	165	674	450	410
225	120	210	42	110	220	100	150	200	189	205	185	753	503	450
250	130	250	48	110	255	125	210	250	251	330	255	830	570	490
280	140	250	60	140	275	135	230	270	265	270	230	966	635	540
355	180	300	70	140	380	200	285	400	330	410	285	1220	825	640

B3H	G3	H	I	K	M	M1	N	O	O1	O2	O3	S	S1
180	290	198	317	210	306	312	360	22	22	M22	M18	24	48
200	328	220	352	223	335	347	400	26	22	M22	M20	29	53
225	390	243	397	248	366	383	440	28	24	M24	M22	34	57
250	453	300	440	285	380	410	480	28	24	M24	M24	29	70
280	538	320	493	308	430	440	530	30	26	M27	M24	29	79
355	573	390	625	430	495	570	630	35	35	M33	M30	42	60

11.1.7 B4H



B4H	D2	B2	D1	B1	C	C1	C2	C3	C4	C5	C6	E	E1	G1
180	100	210	28	60	190	90	130	180	157	180	150	716	497	370
200	110	210	28	60	200	95	145	190	171	190	165	785	560	410
225	120	210	35	80	220	100	150	200	189	205	185	868	618	450
250	130	250	38	80	255	125	210	270	251	330	255	970	710	490
280	140	250	42	110	275	135	230	270	265	270	230	1070	790	540
355	180	300	60	140	380	200	285	400	330	410	285	1395	1030	640

B4H	G3	H	I	K	M	M1	N	O	O1	O2	O3	S	S1
180	250	198	416	210	306	312	360	22	22	M22	M18	24	48
200	253	220	462	223	335	347	400	26	22	M22	M20	29	53
225	377	243	527	248	366	383	440	28	24	M24	M22	34	57
250	328	300	577	285	380	410	480	28	24	M24	M24	29	70
280	390	320	647	308	430	470	530	30	26	M27	M24	29	79
355	484	390	820	430	495	570	630	35	35	M33	M30	42	60

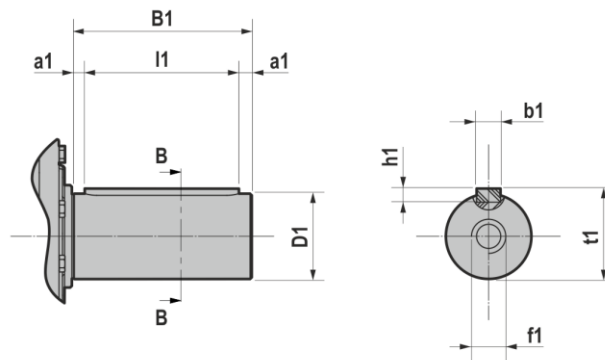
11.2 WEIGHTS

The values reported in the tables are referred to the weight of the gearbox without lubricant.

PH	[- kg]			
	P1H	P2H	P3H	P4H
180	365	385	412	475
200	390	480	475	540
225	545	625	625	710
250	750	855	1050	1170
280	910	930	1320	1455
355	1315	1865	2090	2335

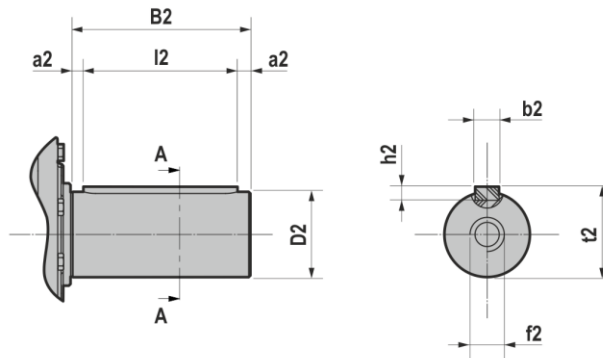
BH	[- kg]		
	B2H	B3H	B4H
180	375	435	475
200	470	510	545
225	620	640	720
250	810	980	1190
280	950	1070	1470
355	1510	1970	2360

11.3.1 Input shaft end



D1	B1	b1	t1	f1	b1xh1x1l	a1
28 k6	60	8	31	M10	8x7x50	5
32 k6	80	10	35	M12	10x8x70	5
35 k6	80	10	38	M12	10x8x70	5
38 k6	80	10	41	M12	10x8x70	5
42 k6	110	12	45	M16	12x8x100	5
48 k6	110	14	51,5	M16	14x9x100	5
55 m6	110	16	59	M20	16x10x100	5
60 m6	140	16	64	M20	16x11x130	5
65 m6	140	18	69	M20	18x11x130	5
70 m6	140	20	74,5	M20	20x12x130	5
80 m6	170	22	85	M20	22x14x150	10
90 m6	170	25	95	M24	25x14x150	10
100 m6	210	28	106	M24	28x16x180	15
110 m6	210	28	116	M24	28x16x180	15

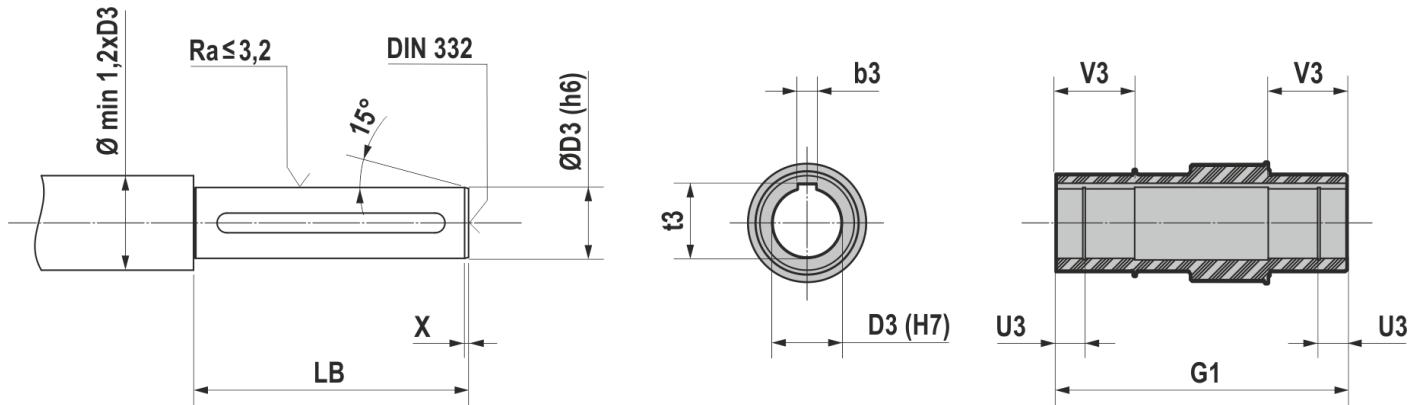
11.3.2 Output shaft end



PH - BH	D2 m6	B2	b2	t2	f2	b2xh2xl2	a2
180	100	210	28	106	M24	28x16x180	15
200	110	210	28	116	M24	28x16x180	15
225	120	210	32	127	M24	32x18x180	15
250	130	250	32	137	M24	32x18x240	5
280	140	250	36	148	M30	36x20x220	15
355	180	300	45	190	M30	45x25x250	25

Dimension also valid for double output shaft version.

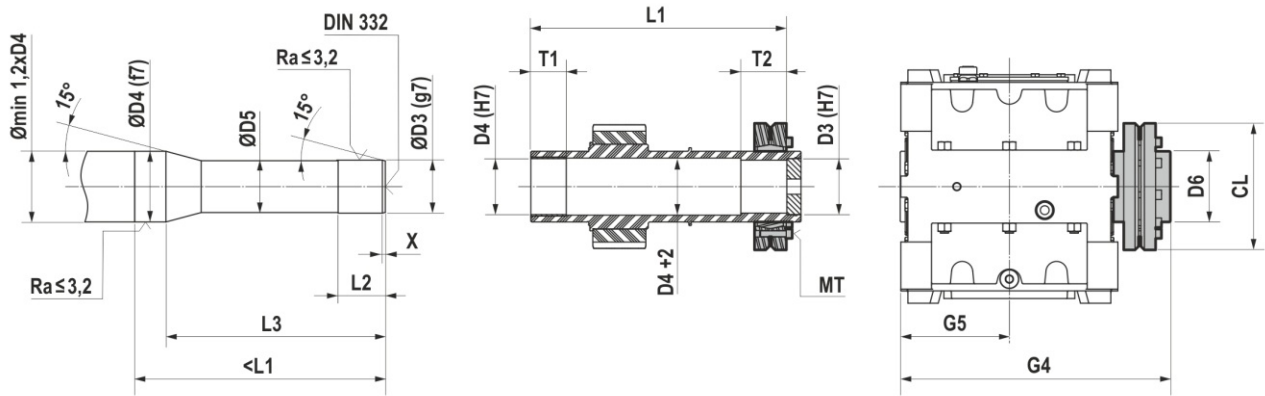
12.1.1 Hollow output shaft with keyway



PH - BH	D3 (H7/h6)	b3	t3	G1	U3	V3	LB	X
180	90	25	95,4	370	34	80	368	5
200	100	28	106,4	410	40	95	408	5
225	115	32	122,4	450	44	102	448	5
250	125	32	132,4	490	44	105	488	5
280	140	36	148,4	540	50	122	538	5
355	170	40	179,4	640	55	150	638	5

12.1.2 Hollow output shaft with shrink disc

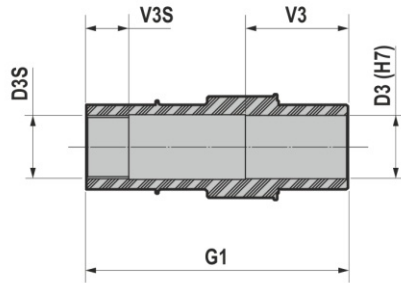
Clean and degrease the surfaces of the shaft to be fitted to. Comply with the indicated tightening torque of screws (M_T).



PH - BH	D3 (H7/g7)	D4 (H7/f7)	D5	D6	CL	G4	G5	L1	L2	L3	T1	T2	X	M_T 12.9 [Nm]
180	90	100	88	120	215	458	185	424	80	372	60	68	5	70
200	100	107	103	130	215	494	205	469	80	389	75	76	5	117
225	105	116	108	140	230	564	225	532	85	452	80	77	5	117
250	120	130	118	160	265	622	245	588	120	492	80	106	5	117
280	130	140	128	170	290	660	270	625	120	530	80	105	5	293
355	170	180	152	220	370	795	320	750	160	640	90	140	5	293

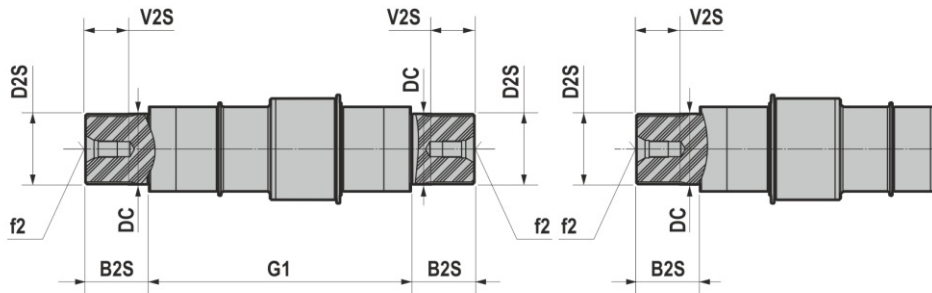
12.1 LOW SPEED SHAFTS

12.1.3 Splined hollow output shaft



PH - BH	D3S (DIN5480)	D3	G1	V3	V3S
180	90x3x28	90	370	145	60
200	100x3x32	100	410	160	70
225	110x4x26	115	450	184	80
250	120x4x28	125	490	185	95
280	140x5x26	140	540	223	110
355	160x5x30	170	640	260	150

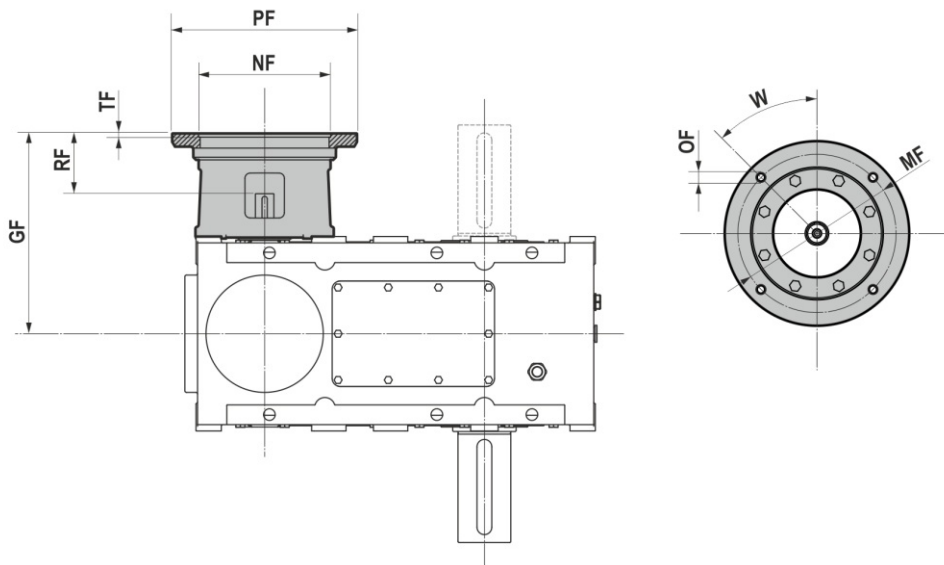
12.1.4 Splined output shaft



PH - BH	D2S (DIN5480)	DC f7	B2S	f2	G1	V2S
180	100x3x32	100	90	M24	370	60
200	110x3x35	110	100	M24	410	70
225	120x4x28	120	110	M24	450	80
250	130x4x31	130	120	M24	490	90
280	150x5x28	150	135	M24	540	100
355	180x8x21	180	180	M30	640	140

12.2 INPUT FLANGES

12.2.1 Motor mounting flanges - PH



P2H	dm (1)	PF	GF	NF	MF	TF	RF	OF	W
180	48	350	409	250	300	7	114	M16 (n° 4)	45°
	55	400	409	300	350	7	114	M16 (n° 4)	45°
	60	450	439	350	400	7	144	M16 (n° 8)	22°30'
200	65	550	442	450	500	7	147	M16 (n° 8)	22°30'
	55	400	429	300	350	7	114	M16 (n° 4)	45°
	60	450	459	350	400	7	152	M16 (n° 8)	22°30'
225	65 - 75	550	462	450	500	7	147	M16 (n° 8)	22°30'
	60	450	509	350	400	7	144	M16 (n° 8)	22°30'
250	65 - 75	550	512	450	500	7	147	M16 (n° 8)	22°30'
	65 - 75	550	532	450	500	7	147	M16 (n° 8)	22°30'
280	80	660	562	550	600	8	177	M16 (n° 8)	22°30'
	60 - 65 - 75	550	557	450	500	7	147	M16 (n° 8)	22°30'
355	65 - 80	660	587	550	600	8	177	M16 (n° 8)	22°30'
	80	660	673	550	600	8	177	M16 (n° 8)	22°30'

(1) Motor shaft diameter.

12.2 INPUT FLANGES

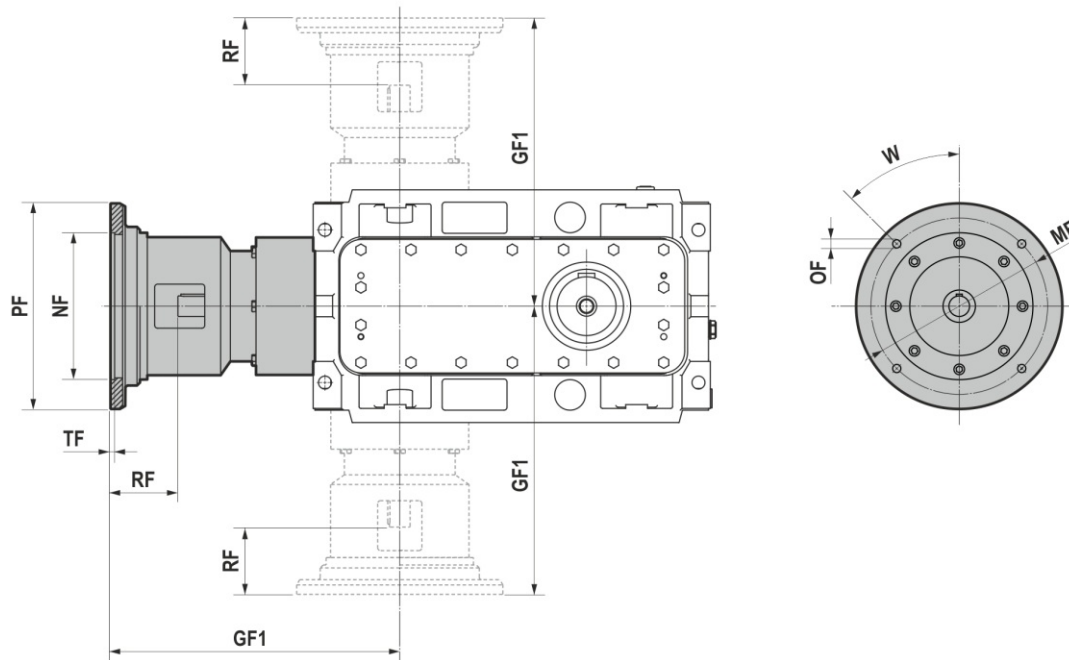
P3H	dm (1)	PF	GF	NF	MF	TF	RF	OF	W
180	28	250	329	180	215	6	64	M12 (n° 4)	45°
	38	300	349	230	265	6	84	M12 (n° 4)	45°
	42 - 48	350	379	250	300	7	114	M16 (n° 4)	45°
	55	400	379	300	350	7	114	M16 (n° 4)	45°
200	38	300	399	230	265	6	84	M12 (n° 4)	45°
	42 - 48	350	429	250	300	7	114	M16 (n° 4)	45°
	55	400	429	300	350	7	114	M16 (n° 4)	45°
	60	450	459	350	400	7	144	M16 (n° 8)	45°
225	42 - 48	350	449	250	300	7	114	M16 (n° 4)	45°
	55	400	449	300	350	7	114	M16 (n° 4)	45°
	60	450	479	350	400	7	144	M16 (n° 8)	22°30'
	65 - 75	550	482	450	500	7	147	M16 (n° 8)	22°30'
250	42 - 48	350	470	250	300	7	114	M16 (n° 4)	45°
	55	400	470	300	350	7	114	M16 (n° 4)	45°
	60	450	500	350	400	7	144	M16 (n° 8)	22°30'
	65 - 75	550	503	450	500	7	147	M16 (n° 8)	22°30'
280	42 - 48	350	524	250	300	7	114	M16 (n° 4)	45°
	55	400	524	300	350	7	114	M16 (n° 4)	45°
	60	450	554	350	400	7	144	M16 (n° 8)	22°30'
	65 - 75	550	557	450	500	7	147	M16 (n° 8)	22°30'
355	80	660	587	550	600	8	177	M16 (n° 8)	22°30'
	60	450	604	350	400	7	144	M16 (n° 8)	22°30'
	65 - 75	550	607	450	500	7	147	M16 (n° 8)	22°30'
	80	660	637	550	600	8	177	M16 (n° 8)	22°30'

P4H	dm (1)	PF	GF	NF	MF	TF	RF	OF	W
180	28	250	309	180	215	6	64	M12 (n° 4)	45°
	38	300	329	230	265	6	84	M12 (n° 4)	45°
200	28	250	329	180	215	6	64	M12 (n° 4)	45°
	38	300	349	230	265	6	84	M12 (n° 4)	45°
225	42 - 48	350	379	250	300	7	114	M16 (n° 4)	45°
	38	300	389	230	265	7	84	M12 (n° 4)	45°
250	42 - 48	350	419	250	300	7	114	M16 (n° 4)	45°
	38	300	409	230	265	7	84	M12 (n° 4)	45°
280	42 - 48	350	439	250	300	7	114	M16 (n° 4)	45°
	55	400	439	300	350	7	114	M16 (n° 4)	45°
	38	300	464	230	265	7	84	M12 (n° 4)	45°
355	42 - 48	350	494	250	300	7	114	M16 (n° 4)	45°
	55	400	494	300	350	7	114	M16 (n° 4)	45°
	60	450	524	350	400	7	144	M16 (n° 8)	22°30'
355	42 - 48	350	544	250	300	7	114	M16 (n° 4)	45°
	55	400	544	300	350	7	114	M16 (n° 4)	45°
	60	450	574	350	400	7	144	M16 (n° 8)	22°30'
355	65	550	577	450	500	7	147	M16 (n° 8)	22°30'

(1) Motor shaft diameter.

12.2 INPUT FLANGES

12.2.2 Motor mounting flanges - BH



B2H	dm (1)	PF	GF1	NF	MF	TF	RF	OF	W
180	42 - 48	350	614	250	300	7	114	M16 (n° 4)	45°
	55	400	614	300	350	7	114	M16 (n° 4)	45°
	60	450	644	350	400	7	144	M16 (n° 8)	22°30'
	65 - 75	550	647	450	500	7	147	M16 (n° 8)	22°30'
200	55	400	662	300	350	7	114	M16 (n° 4)	45°
	60	450	692	350	400	7	144	M16 (n° 8)	22°30'
	65 - 75	550	695	450	500	7	147	M16 (n° 8)	22°30'
	80	660	725	550	600	8	177	M16 (n° 8)	22°30'
225	55	400	792	300	350	7	144	M16 (n° 4)	45°
	60	450	822	350	400	7	144	M16 (n° 8)	22°30'
	65 - 75	550	825	450	500	7	147	M16 (n° 8)	22°30'
	80	660	855	550	600	8	177	M16 (n° 8)	22°30'
250	60	450	840	350	400	7	144	M16 (n° 8)	22°30'
	65 - 75	550	843	450	500	7	147	M16 (n° 8)	22°30'
	80	660	873	550	600	8	177	M16 (n° 8)	22°30'
280	65 - 75	550	860	450	500	7	147	M16 (n° 8)	22°30'
	80	660	890	550	600	8	177	M16 (n° 8)	22°30'
355	80	660	1042	550	600	8	177	M16 (n° 8)	22°30'

(1) Motor shaft diameter.

12.2 INPUT FLANGES

B3H	dm (1)	PF	GFI	NF	MF	TF	RF	OF	W
180	28	250	434	180	215	6	64	M12 (n° 4)	45°
	38	300	454	230	265	6	84	M12 (n° 4)	45°
	42 - 48	350	484	250	300	7	114	M16 (n° 4)	45°
	55	400	484	300	350	7	114	M16 (n° 4)	45°
200	38	300	492	230	265	6	84	M12 (n° 4)	45°
	42 - 48	350	522	250	300	7	114	M16 (n° 4)	45°
	55	400	522	300	350	7	114	M16 (n° 4)	45°
	60	450	552	350	400	7	144	M16 (n° 8)	22°30'
225	42 - 48	350	614	250	300	7	114	M16 (n° 4)	45°
	55	400	614	300	350	7	114	M16 (n° 4)	45°
	60	450	644	350	400	7	144	M16 (n° 8)	22°30'
	65 - 75	550	647	450	500	7	147	M16 (n° 8)	22°30'
250	42 - 48	350	677	250	300	7	114	M16 (n° 4)	45°
	55	400	677	300	350	7	114	M16 (n° 4)	45°
	60	450	707	350	400	7	144	M16 (n° 8)	22°30'
	65 - 75	550	710	450	500	7	147	M16 (n° 8)	22°30'
280	42 - 48	350	792	250	300	7	114	M16 (n° 4)	45°
	55	400	792	300	350	7	114	M16 (n° 4)	45°
	60	450	822	350	400	7	144	M16 (n° 8)	22°30'
	65 - 75	550	825	450	500	7	147	M16 (n° 8)	22°30'
355	80	660	855	550	600	8	177	M16 (n° 8)	22°30'
	60	450	857	350	400	7	144	M16 (n° 8)	22°30'
	65 - 75	550	860	450	500	7	147	M16 (n° 8)	22°30'
	80	660	890	550	600	8	177	M16 (n° 8)	22°30'

B4H	dm (1)	PF	GFI	NF	MF	TF	RF	OF	W
180	28	250	374	180	215	6	64	M12 (n° 4)	45°
	38	300	394	230	265	6	84	M12 (n° 4)	45°
200	28	250	377	180	215	6	64	M12 (n° 4)	45°
	38	300	397	230	265	6	84	M12 (n° 4)	45°
225	42 - 48	350	487	250	300	7	114	M16 (n° 4)	45°
	28	250	521	180	215	6	64	M12 (n° 4)	45°
250	38	300	541	230	265	6	84	M12 (n° 4)	45°
	42 - 48	350	571	250	300	7	114	M16 (n° 4)	45°
280	38	300	492	230	265	7	84	M12 (n° 4)	45°
	42 - 48	350	522	250	300	7	114	M16 (n° 4)	45°
	55	400	522	300	350	7	114	M16 (n° 4)	45°
355	38	300	584	230	265	7	84	M12 (n° 4)	45°
	42 - 48	350	614	250	300	7	114	M16 (n° 4)	45°
	55	400	614	300	350	7	114	M16 (n° 4)	45°
355	60	450	644	350	400	7	144	M16 (n° 8)	22°30'
	42 - 48	350	738	250	300	7	114	M16 (n° 4)	45°
	55	400	738	300	350	7	114	M16 (n° 4)	45°
	60	450	768	350	400	7	144	M16 (n° 8)	22°30'
355	65	550	771	450	500	7	147	M16 (n° 8)	22°30'

(1) Motor shaft diameter.

12.3.1 Cooling and heating unit

On request the gear reducer can be supplied with:

- Cooling fan;
- Cooling coil with or without valve thermostatic;
- Air-oil or water-oil cooling unit;
- Oil heater.

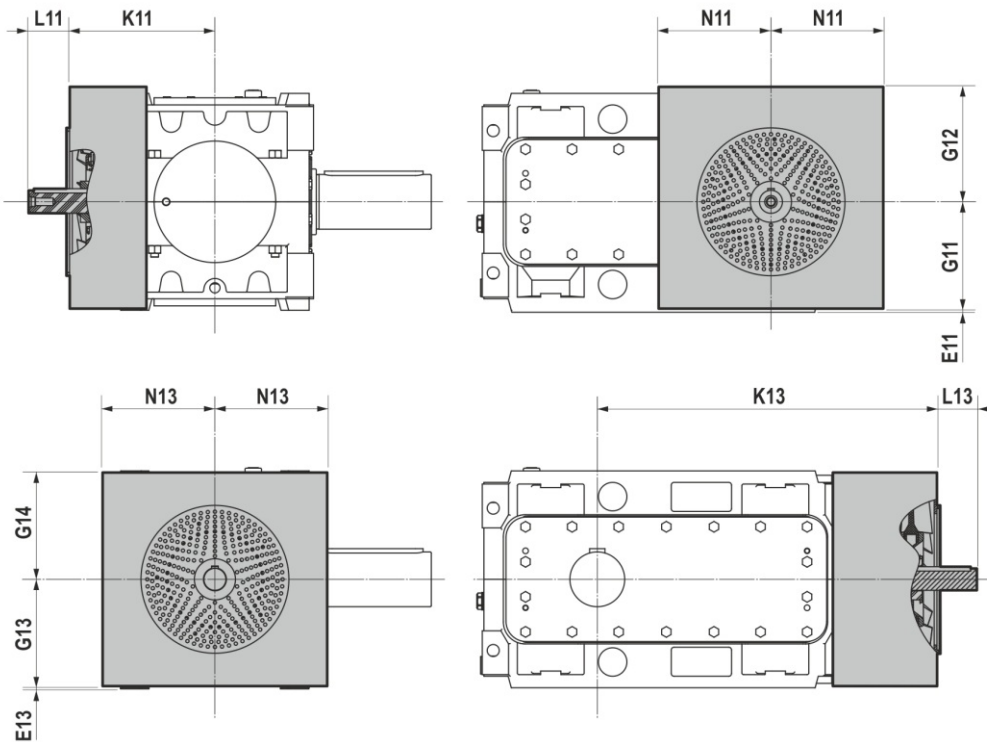
12.3.2 Lubrication and monitoring unit

On request the gear reducer can be supplied with:

- Bearings lubrication pump;
- Bearings lubrication motor pump;
- Bimetal thermal protectors;
- Pressure switch;
- Oil level sensor with float;
- Oil temperature sensor and bearing temperature sensor PT100 .

12.3 DEVICES

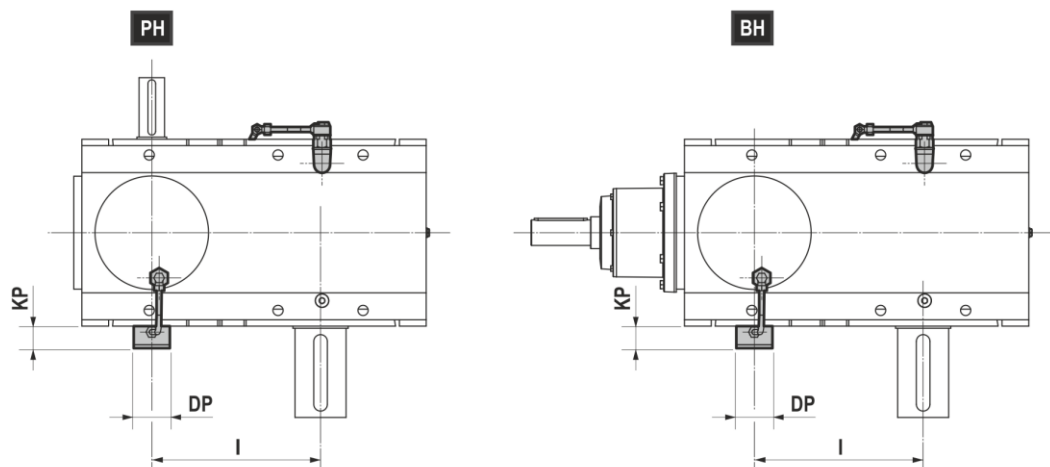
12.3.3 Cooling fan



PH	P1H						P2H					
	E11	G11	G12	L11	K11	N11	E11	G11	G12	L11	K11	N11
180	5	193	210	105	220	196	5	193	210	75	220	180
200	10	210	245	101	244	245	10	210	245	71	244	180
225	8	235	265	85	280	255	8	235	265	85	280	197
250	10	290	325	85	300	260	10	290	325	85	300	200
280	12	308	345	110	305	310	12	308	345	105	305	254
355	15	375	415	120	390	400	15	375	415	100	390	295

BH	B2H						B3H					
	E13	G13	G14	L13	K13	N13	E13	G13	G14	L13	K13	N13
180	5	193	195	73	607	203	5	193	195	53	641	203
200	5	215	235	73	690	226	5	215	235	53	707	226
225	10	233	275	98	805	248	10	233	275	73	824	248
250	10	290	310	98	848	278	10	290	310	73	930	278
280	15	305	330	98	908	320	15	305	330	98	1073	320
355	20	370	400	123	1112	340	20	370	400	98	1253	340

12.3.4 Bearings lubrication pump



PIH - B2H	DP	KP	I
180	85	52	180
200	85	52	200
225	85	52	225
250	85	52	250
280	85	52	280
355	85	52	355

P2H - B3H	DP	KP	I
180	85	52	317
200	85	52	352
225	85	52	397
250	85	52	440
280	85	52	493
355	85	52	625

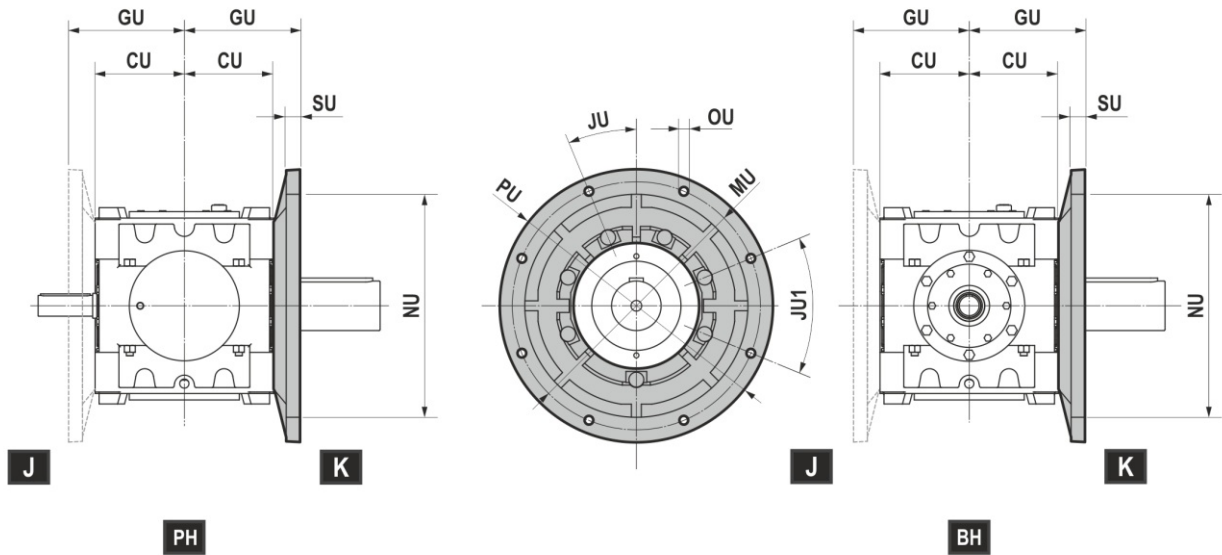
P3H - B4H	DP	KP	I
180	85	52	416
200	85	52	462
225	85	52	527
250	85	52	577
280	85	52	647
355	85	52	820

P4H	DP	KP	I
180	85	52	416
200	85	52	462
225	85	52	527
250	85	52	577
280	85	52	599,5
355	85	52	759,1

PBH

12.4.1 Output flange

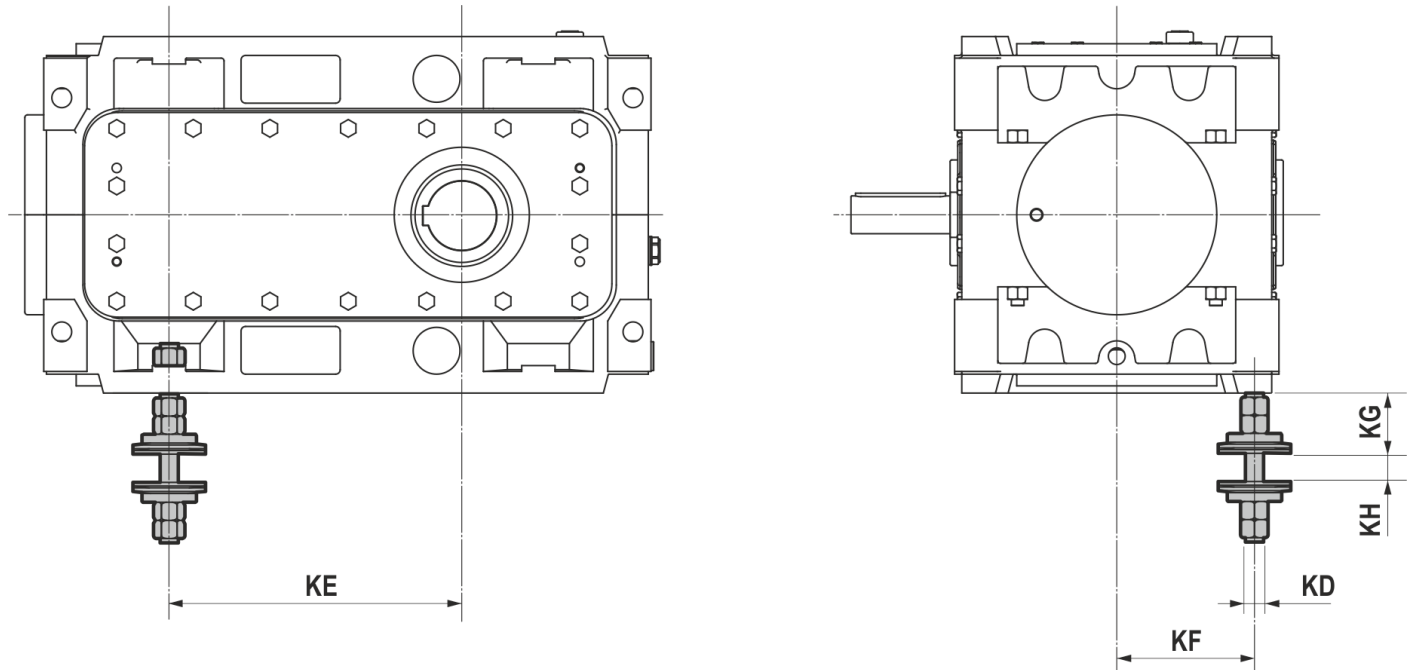
Unless otherwise specified, gear reducers are supplied with the flange in pos. K as per mounting position B3. For parallel gear reducers with output flange installed on the same side of the quick shaft, check for any dimensional interference.



PH - BH	PU	MU	NU G6	SU	OU	JU	JU1	CU	GU
180	550	500	450	35	M16 (n°18)	22°30'	45°	175	215
200	600	550	500	40	M20 (n°22)	22°30'	45°	195	240
225	660	600	550	44	M20 (n°22)	22°30'	45°	215	264
250	760	700	650	46	M22 (n°24)	22°30'	45°	235	286
280	820	750	700	50	M24 (n°26)	22°30'	45°	260	315
355	1080	1000	950	60	M33 (n°35)	22°30'	45°	310	375

12.4.2 Reaction bolt

Use reaction bolt in the event of shaft mounting.



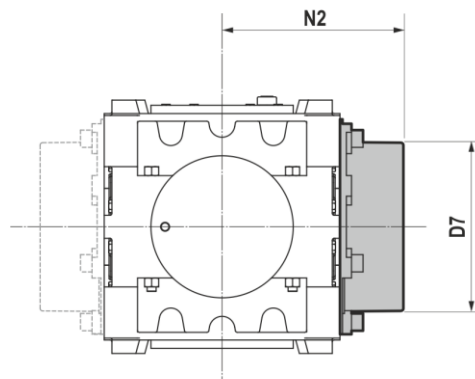
PH - BH	KE		KD	KF	KG	KH
	P1H P2H B2H B3H	P3H P4H B4H				
180	410	497	M20	153	56	104
200	450	560	M20	167,5	56	102
225	503	618	M22	183	68	104
250	570	710	M22	193	68	107
280	635	790	M24	215	75	149,5
355	825	1030	M33	247,5	100	176

PBH

12.4.3 Backstop device

Gear reducers may be equipped with backstop (on the input shaft for PH, on bevel gear shaft for BH). The backstop allows shafts to rotate in one direction only. It is essential that while ordering you specify the direction of free rotation of the output shaft, according to the white or black arrow. Please see relevant paragraph "DIRECTION OF ROTATION. For PIH, P2H, B2H, please contact MOTOVARIO TECHNICAL SERVICE to verify dimensions of backstop.

12.4.4 Output shaft cover

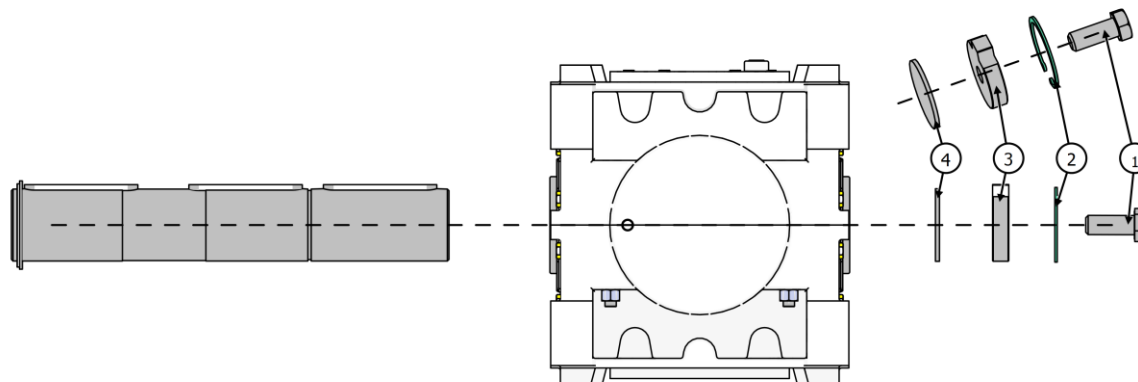
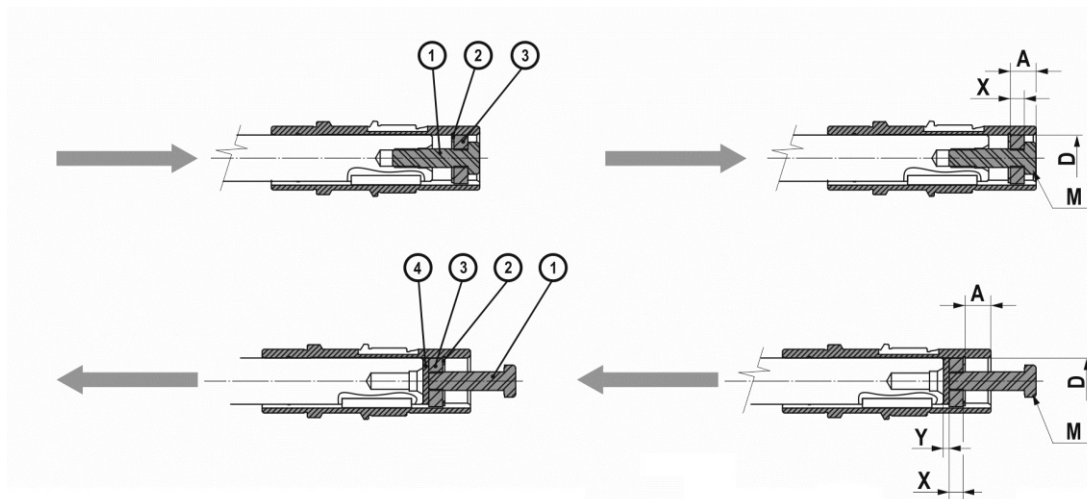


PH - BH	D7	N2
180	226	285
200	232	298
225	246	355
250	300	387
280	305	400
355	370	470

12.4.5 Assembling/disassembling kit

Mounting/dismounting kit for hollow shaft gear reducers with keyway. On request delivery includes:

1. Retaining bolt
2. Circlip
3. Fixed nut
4. Forcing washer



PH - BH	D	A	X	Y	M
180	90	34	20	5	M24
200	100	40	20	5	M24
225	115	44	24	8	M24
250	125	44	24	8	M24
280	140	50	24	10	M30
355	170	55	27	10	M30

12.4.6 Optional seals

On request the gear reducer can be supplied with:

- Labyrinth seal with grease nipple. Recommended for dust and aggressive environments. Overall dimensions of shaft in an axial direction may differ from standard dimensions. Please contact MOTOVARIO TECHNICAL SERVICE.
- Sealing rings in FPM (FKM) fluorinated rubber. Recommended for ambient temperatures above 40 °C, in aggressive industrial environments and with high input speeds. Do not use at ambient temperatures below 10 °C.
- Dual seal. Available both on input and output shaft, in NBR rubber as well as in FPM (FKM) fluorinated rubber.

12.4.7 Other Accessories and Options

On request the gear reducer can be supplied with:

- Filling plug with filter;
- Special painting with C4, C5I and C5M corrosive classes according to UNI EN ISO 12944;
- NEMA motor flange adapter.

P1H 180

Mn ₂ [Nm]	i	Pn ₁ [kW]	n ₂ [rpm]
7760	2,04	711	858
8130	2,18	697	803
8050	2,55	590	686
8010	2,83	529	618
8150	3,12	488	561
7980	3,60	414	486
7840	4,00	366	438
7420	4,38	317	400
6860	4,92	261	356

P1H 200

Mn ₂ [Nm]	i	Pn ₁ [kW]	n ₂ [rpm]
10500	1,95	1010	897
11100	2,25	923	778
10900	2,55	801	686
10800	2,76	730	634
10300	3,11	621	563
10300	3,57	538	490
10200	4,00	475	438
10200	4,46	428	392
9110	4,92	346	356

P1H 225

Mn ₂ [Nm]	i	Pn ₁ [kW]	n ₂ [rpm]
15200	1,96	1450	894
17000	2,24	1420	782
16700	2,53	1240	693
16400	2,78	1100	630
16100	3,19	944	549
16100	3,56	845	491
15500	3,93	735	445
14800	4,58	602	382
12600	5,09	461	344

P1H 250

Mn ₂ [Nm]	i	Pn ₁ [kW]	n ₂ [rpm]
17900	2,04	1640	856
18800	2,25	1560	778
19500	2,50	1460	700
19800	2,82	1310	620
19700	3,27	1130	536
19500	3,60	1010	486
19700	3,93	936	445
19500	4,36	839	402
18000	4,91	686	356

P1H 280

Mn ₂ [Nm]	i	Pn ₁ [kW]	n ₂ [rpm]
24100	1,96	2310	894
24200	2,24	2020	782
24400	2,48	1850	707
24800	2,79	1660	627
25200	3,11	1520	564
25700	3,59	1340	488
24900	3,93	1180	445
24600	4,54	1020	386
24600	5,08	903	344

P1H 355

Mn ₂ [Nm]	i	Pn ₁ [kW]	n ₂ [rpm]
42000	1,95	4020	895
44700	2,29	3650	766
47500	2,48	3580	707
48600	2,83	3200	618
47800	3,13	2860	560
48200	3,56	2530	491
48100	3,93	2290	445
48300	4,42	2050	396
48400	4,92	1840	355

P2H 180

Mn ₂ [Nm]	i	Pn ₁ [kW]	n ₂ [rpm]
9110	5,66	307	309
9450	6,53	276	268
9330	7,26	245	241
8820	7,96	212	220
9490	8,57	211	204
9880	9,90	190	177
9840	11,0	171	159
9310	12,1	147	145
9250	15,0	117	116
9630	16,7	110	105
9110	18,3	95,0	95,6
8820	20,6	81,9	85,1
8660	22,8	72,6	76,9
9110	25,0	69,7	70,1

P2H 200

Mn ₂ [Nm]	i	Pn ₁ [kW]	n ₂ [rpm]
13600	5,52	469	317
13000	6,35	390	276
13800	7,11	369	246
13200	7,84	322	223
13900	9,01	294	194
13700	9,66	270	181
13900	11,1	239	158
13600	12,4	209	141
12900	14,1	175	125
13600	15,7	165	111
13200	17,6	143	99,7
12700	19,4	125	90,4
13000	23,1	108	75,9
12400	25,4	92,7	68,8

P2H 225

Mn ₂ [Nm]	i	Pn ₁ [kW]	n ₂ [rpm]
15900	5,62	539	312
17200	6,20	529	282
17600	7,23	466	242
20000	8,02	477	218
19500	8,85	420	198
20300	10,1	383	173
19900	11,2	340	157
18800	13,0	275	134
18700	14,5	246	120
19000	16,0	226	109
18000	18,7	183	93,7
17700	19,7	172	89,0
18400	22,9	153	76,4
15900	25,5	119	68,8

P2H 250

Mn ₂ [Nm]	i	Pn ₁ [kW]	n ₂ [rpm]
23500	5,68	791	308
23500	6,20	725	282
23200	6,87	643	255
24500	8,06	580	217
26100	8,79	566	199
26500	10,4	485	168
26700	11,4	448	154
25300	12,6	383	139
27600	14,7	358	119
27800	16,0	331	109
26300	17,8	282	98,5
25100	20,0	239	87,5
26300	22,2	226	78,9
22800	25,0	174	70,0

P2H 280

Mn ₂ [Nm]	i	Pn ₁ [kW]	n ₂ [rpm]
35500	5,82	1170	301
33200	6,37	994	275
33900	7,36	880	238
36000	8,20	837	213
34300	8,98	729	195
36200	10,2	680	172
35700	11,1	612	157
35800	12,9	532	136
36600	14,1	495	124
36200	15,5	447	113
35400	17,9	378	98,0
34300	20,0	327	87,5
36400	23,1	301	75,7
32600	25,9	241	67,6

P2H 355

Mn ₂ [Nm]	i	Pn ₁ [kW]	n ₂ [rpm]
58800	5,70	1970	307
59800	6,29	1820	278
61300	7,07	1650	248
62700	8,02	1490	218
64700	8,84	1400	198
66600	10,1	1260	173
67600	11,1	1160	157
68600	12,5	1050	140
70600	14,0	961	125
72000	15,5	890	113
73500	17,4	808	101
70400	19,4	694	90,4
73500	22,8	615	76,7
72000	25,4	541	68,8

P3H 180

Mn ₂ [Nm]	i	Pn ₁ [kW]	n ₂ [rpm]
10500	28,8	71,0	60,7
10300	32,0	62,4	54,7
9790	35,1	54,4	49,9
11000	39,8	53,6	43,9
10300	43,6	45,8	40,1
11300	51,1	43,2	34,2
10700	56,0	37,3	31,2
10400	62,9	32,1	27,8
10900	69,7	30,4	25,1
10200	80,4	24,8	21,8
11200	88,1	24,8	19,9
10000	98,9	19,7	17,7
9680	110	17,1	15,9
10600	121	17,1	14,5

P3H 200

Mn ₂ [Nm]	i	Pn ₁ [kW]	n ₂ [rpm]
14200	27,8	99,9	63,0
15200	30,6	96,7	57,3
14400	34,2	82,0	51,1
15500	38,6	78,1	45,3
14500	43,3	65,2	40,4
15700	51,5	59,6	34,0
14600	57,7	49,2	30,3
13700	63,1	42,4	27,7
15500	71,2	42,4	24,6
14700	79,8	35,9	21,9
15800	89,0	34,5	19,7
14800	105	27,5	16,7
16400	117	27,3	15,0
13900	129	21,0	13,6

P3H 225

Mn ₂ [Nm]	i	Pn ₁ [kW]	n ₂ [rpm]
17800	28,6	121	61,1
19600	31,6	121	55,4
20400	36,2	110	48,4
20700	39,9	101	43,8
19900	46,5	83,5	37,6
20500	51,9	77,1	33,7
21600	57,3	73,6	30,6
20600	63,6	63,2	27,5
22100	70,2	61,4	24,9
22500	81,5	53,8	21,5
20800	90,5	44,8	19,3
22900	100,0	44,7	17,5
22400	116	37,5	15,0
20900	129	31,5	13,5

P3H 250

Mn ₂ [Nm]	i	Pn ₁ [kW]	n ₂ [rpm]
25900	28,0	180	62,6
28300	30,5	181	57,3
28800	36,2	155	48,4
28400	39,5	140	44,3
28100	43,8	125	40,0
29000	50,9	111	34,4
28600	55,6	100	31,5
29100	63,6	89,3	27,5
28800	69,4	80,7	25,2
28900	82,8	68,0	21,1
29100	91,8	61,9	19,1
29000	103	54,7	16,9
29300	115	49,8	15,3
28600	129	43,2	13,6

P3H 280

Mn ₂ [Nm]	i	Pn ₁ [kW]	n ₂ [rpm]
35700	29,2	238	59,9
39700	32,0	242	54,7
39000	37,0	206	47,4
40700	39,7	200	44,1
39900	45,8	170	38,2
38800	50,3	150	34,8
42200	55,0	149	31,8
41400	63,6	127	27,5
43400	71,3	119	24,6
42600	82,3	101	21,3
42900	87,6	95,5	20,0
45000	98,2	89,3	17,8
43500	113	74,8	15,4
40200	127	61,7	13,8

P3H 355

Mn ₂ [Nm]	i	Pn ₁ [kW]	n ₂ [rpm]
72700	28,3	500	61,8
74700	31,2	466	56,0
76700	35,7	419	49,1
78700	39,3	390	44,5
80700	44,2	356	39,6
82700	49,5	325	35,3
84700	54,6	302	32,1
85700	65,0	257	26,9
87600	71,7	238	24,4
87600	80,6	212	21,7
85700	89,2	187	19,6
89600	98,4	178	17,8
89600	111	158	15,8
85300	123	135	14,2

P4H 180

Mn ₂ [Nm]	i	Pn ₁ [kW]	n ₂ [rpm]
10200	128	15,9	13,7
11300	142	15,8	12,3
11700	164	14,2	10,7
12300	179	13,7	9,75
10900	201	10,8	8,69
11500	225	10,1	7,79
11600	246	9,38	7,10
10900	277	7,88	6,33
11000	317	6,90	5,53
11200	353	6,34	4,96
12300	387	6,33	4,52
11200	435	5,15	4,03
11500	495	4,62	3,54
12000	552	4,31	3,17
13100	605	4,30	2,89

P4H 200

Mn ₂ [Nm]	i	Pn ₁ [kW]	n ₂ [rpm]
14800	120	24,6	14,6
16100	143	22,5	12,3
14900	160	18,6	11,0
15500	178	17,4	9,85
15500	200	15,4	8,76
15000	221	13,5	7,92
16900	246	13,7	7,10
15100	279	10,8	6,27
17000	311	10,9	5,62
15200	367	8,24	4,77
15400	410	7,49	4,27
17600	457	7,68	3,83
17000	480	7,04	3,64
16100	538	5,96	3,25
18300	600	6,08	2,92

P4H 225

Mn ₂ [Nm]	i	Pn ₁ [kW]	n ₂ [rpm]
22600	130	34,6	13,4
21700	144	30,0	12,1
24900	159	31,1	11,0
24700	185	26,5	9,44
24900	197	25,3	8,90
25000	228	21,8	7,67
21900	251	17,4	6,96
25100	278	18,0	6,31
26400	323	16,2	5,41
22100	358	12,3	4,89
26700	397	13,4	4,41
27200	460	11,8	3,80
26000	484	10,7	3,61
27900	565	9,85	3,10
26700	627	8,47	2,79

P4H 250

Mn ₂ [Nm]	i	Pn ₁ [kW]	n ₂ [rpm]
29300	126	46,3	13,9
29600	147	40,2	11,9
29200	160	36,3	10,9
29800	183	32,3	9,55
29400	200	29,2	8,75
29900	219	27,2	8,01
29900	251	23,8	6,98
29500	274	21,5	6,39
30100	313	19,1	5,59
29700	342	17,3	5,12
30100	407	14,7	4,30
30700	452	13,5	3,87
31000	509	12,1	3,44
31600	564	11,1	3,10
35100	636	11,0	2,75

P4H 280

Mn ₂ [Nm]	i	Pn ₁ [kW]	n ₂ [rpm]
44000	129	67,7	13,5
40800	145	56,1	12,1
44800	155	57,3	11,3
44300	180	49,1	9,75
46200	201	45,7	8,70
44500	232	38,2	7,54
44600	247	35,9	7,07
46700	277	33,5	6,31
44800	320	27,8	5,46
46900	351	26,6	4,99
45400	405	22,3	4,32
47200	454	20,7	3,86
48400	483	20,0	3,62
47500	558	16,9	3,13
49400	625	15,7	2,80

P4H 355

Mn ₂ [Nm]	i	Pn ₁ [kW]	n ₂ [rpm]
80700	126	128	13,9
81000	141	115	12,4
81900	155	105	11,3
84100	174	96,0	10,0
82400	204	80,5	8,59
84700	229	73,6	7,64
82000	252	64,9	6,95
83000	278	59,6	6,31
85200	312	54,4	5,61
83500	365	45,6	4,80
86700	410	42,1	4,27
84800	453	37,3	3,86
87100	500	34,7	3,50
91000	562	32,2	3,11
83400	627	26,5	2,79

P1H 180

Mn ₂ [Nm]	i	Pn ₁ [kW]	n ₂ [rpm]
7920	2,04	581	686
8300	2,18	570	642
8220	2,55	482	549
8180	2,83	432	495
8320	3,12	399	449
8150	3,60	339	389
8000	4,00	299	350
7580	4,38	259	320
7010	4,92	213	285

P1H 200

Mn ₂ [Nm]	i	Pn ₁ [kW]	n ₂ [rpm]
10700	1,95	822	718
11300	2,25	754	622
11200	2,55	654	549
11000	2,76	596	507
10600	3,11	507	450
10500	3,57	440	392
10400	4,00	388	350
10400	4,46	349	314
9300	4,92	283	285

P1H 225

Mn ₂ [Nm]	i	Pn ₁ [kW]	n ₂ [rpm]
15500	1,96	1180	716
17300	2,24	1160	626
17100	2,53	1010	554
16700	2,78	899	504
16400	3,19	772	439
16400	3,56	690	393
15800	3,93	601	356
15100	4,58	492	305
12800	5,09	376	275

P1H 250

Mn ₂ [Nm]	i	Pn ₁ [kW]	n ₂ [rpm]
18300	2,04	1340	685
19200	2,25	1280	622
19900	2,50	1190	560
20200	2,82	1070	496
20100	3,27	919	429
20000	3,60	829	389
20100	3,93	765	356
19900	4,36	685	321
18400	4,91	560	285

P1H 280

Mn ₂ [Nm]	i	Pn ₁ [kW]	n ₂ [rpm]
24600	1,96	1880	716
24700	2,24	1650	626
24900	2,48	1510	565
25300	2,79	1360	502
25700	3,11	1240	451
26200	3,59	1090	390
25400	3,93	966	356
25200	4,54	829	308
25100	5,08	737	275

P1H 355

Mn ₂ [Nm]	i	Pn ₁ [kW]	n ₂ [rpm]
42900	1,95	3280	716
45600	2,29	2980	613
48400	2,48	2930	565
49600	2,83	2620	494
48800	3,13	2340	448
49200	3,56	2070	393
49100	3,93	1870	356
49300	4,42	1670	317
49400	4,92	1500	284

P2H 180

Mn ₂ [Nm]	i	Pn ₁ [kW]	n ₂ [rpm]
9300	5,66	251	247
9650	6,53	226	214
9530	7,26	200	193
9000	7,96	173	176
9680	8,57	172	163
10100	9,90	156	141
10100	11,0	140	127
9500	12,1	120	116
9440	15,0	95,8	93,1
9830	16,7	89,8	83,8
9300	18,3	77,6	76,5
9010	20,6	66,9	68,1
8840	22,8	59,3	61,5
9300	25,0	56,9	56,1

P2H 200

Mn ₂ [Nm]	i	Pn ₁ [kW]	n ₂ [rpm]
13900	5,52	383	254
13300	6,35	319	220
14100	7,11	302	197
13500	7,84	263	179
14200	9,01	240	155
13900	9,66	220	145
14200	11,1	195	126
13900	12,4	171	113
13200	14,1	143	99,6
13900	15,7	135	89,0
13400	17,6	117	79,8
12900	19,4	102	72,3
13300	23,1	88,1	60,7
12600	25,4	75,8	55,0

P2H 225

Mn ₂ [Nm]	i	Pn ₁ [kW]	n ₂ [rpm]
16200	5,62	440	249
17600	6,20	432	226
18000	7,23	381	194
20400	8,02	389	175
19900	8,85	343	158
20800	10,1	313	138
20400	11,2	278	125
19200	13,0	225	107
19100	14,5	201	96,4
19400	16,0	184	87,3
18300	18,7	150	74,9
18100	19,7	140	71,2
18800	22,9	125	61,1
16200	25,5	97,2	55,0

P2H 250

Mn ₂ [Nm]	i	Pn ₁ [kW]	n ₂ [rpm]
24000	5,68	646	247
24000	6,20	592	226
23600	6,87	525	204
25000	8,06	474	174
26600	8,79	462	159
27000	10,4	396	134
27200	11,4	366	123
25800	12,6	313	111
28100	14,7	293	95,4
28300	16,0	270	87,4
26800	17,8	230	78,8
25600	20,0	195	70,0
26800	22,2	185	63,1
23300	25,0	142	56,0

P2H 280

Mn ₂ [Nm]	i	Pn ₁ [kW]	n ₂ [rpm]
36300	5,82	952	241
33800	6,37	811	220
34600	7,36	719	190
36700	8,20	683	171
35000	8,98	596	156
37000	10,2	555	138
36400	11,1	500	126
36600	12,9	434	109
37300	14,1	404	99,2
36900	15,5	365	90,6
36100	17,9	309	78,4
35000	20,0	267	70,0
37200	23,1	246	60,6
33300	25,9	196	54,1

P2H 355

Mn ₂ [Nm]	i	Pn ₁ [kW]	n ₂ [rpm]
60000	5,70	1610	246
61000	6,29	1480	223
62500	7,07	1350	198
64000	8,02	1220	175
66000	8,84	1140	158
68000	10,1	1030	139
69000	11,1	947	126
70000	12,5	854	112
72000	14,0	785	99,9
73500	15,5	726	90,6
75000	17,4	660	80,6
71900	19,4	567	72,3
75000	22,8	502	61,4
73500	25,4	441	55,0

P3H 180

Mn ₂ [Nm]	i	Pn ₁ [kW]	n ₂ [rpm]
10500	28,8	57,0	48,6
10300	32,0	50,2	43,7
9830	35,1	43,7	39,9
11000	39,8	43,1	35,1
10300	43,6	36,8	32,1
11400	51,1	34,7	27,4
10800	56,0	30,0	25,0
10400	62,9	25,8	22,3
10900	69,7	24,4	20,1
10300	80,4	20,0	17,4
11300	88,1	19,9	15,9
10100	98,9	15,8	14,2
9720	110	13,7	12,7
10600	121	13,7	11,6

P3H 200

Mn ₂ [Nm]	i	Pn ₁ [kW]	n ₂ [rpm]
14300	27,8	80,2	50,4
15200	30,6	77,7	45,8
14500	34,2	65,9	40,9
15600	38,6	62,8	36,2
14500	43,3	52,4	32,4
15800	51,5	47,9	27,2
14600	57,7	39,5	24,3
13800	63,1	34,1	22,2
15600	71,2	34,0	19,7
14700	79,8	28,8	17,5
15800	89,0	27,7	15,7
14800	105	22,1	13,4
16400	117	21,9	12,0
14000	129	16,9	10,9

P3H 225

Mn ₂ [Nm]	i	Pn ₁ [kW]	n ₂ [rpm]
17900	28,6	97,5	48,9
19700	31,6	97,2	44,3
20500	36,2	88,4	38,7
20800	39,9	81,2	35,1
20000	46,5	67,0	30,1
20600	51,9	61,9	27,0
21700	57,3	59,1	24,4
20700	63,6	50,7	22,0
22200	70,2	49,3	19,9
22600	81,5	43,2	17,2
20900	90,5	36,0	15,5
23000	100,0	35,9	14,0
22500	116	30,1	12,0
21000	129	25,3	10,8

P3H 250

Mn ₂ [Nm]	i	Pn ₁ [kW]	n ₂ [rpm]
26000	28,0	145	50,1
28400	30,5	145	45,9
28900	36,2	125	38,7
28500	39,5	113	35,5
28200	43,8	100	32,0
29100	50,9	89,2	27,5
28700	55,6	80,6	25,2
29300	63,6	71,7	22,0
28900	69,4	64,9	20,2
29000	82,8	54,6	16,9
29300	91,8	49,7	15,3
29100	103	43,9	13,5
29400	115	40,0	12,2
28700	129	34,7	10,8

P3H 280

Mn ₂ [Nm]	i	Pn ₁ [kW]	n ₂ [rpm]
35800	29,2	191	47,9
39900	32,0	194	43,8
39100	37,0	165	37,9
40800	39,7	161	35,3
40100	45,8	136	30,6
38900	50,3	121	27,8
42300	55,0	120	25,4
41500	63,6	102	22,0
43600	71,3	95,3	19,6
42800	82,3	81,0	17,0
43100	87,6	76,7	16,0
45200	98,2	71,8	14,3
43700	113	60,1	12,3
40400	127	49,6	11,0

P3H 355

Mn ₂ [Nm]	i	Pn ₁ [kW]	n ₂ [rpm]
73000	28,3	402	49,4
75000	31,2	375	44,8
77000	35,7	337	39,3
79000	39,3	313	35,6
81000	44,2	286	31,7
83000	49,5	261	28,3
85000	54,6	243	25,6
86000	65,0	206	21,5
88000	71,7	191	19,5
88000	80,6	170	17,4
86000	89,2	150	15,7
90000	98,4	143	14,2
90000	111	127	12,7
85700	123	108	11,4

P4H 180

Mn ₂ [Nm]	i	Pn ₁ [kW]	n ₂ [rpm]
10300	128	12,8	10,9
11300	142	12,7	9,87
11800	164	11,4	8,55
12400	179	11,0	7,80
11000	201	8,66	6,95
11500	225	8,15	6,23
11700	246	7,53	5,68
11000	277	6,33	5,06
11000	317	5,54	4,42
11300	353	5,09	3,96
12400	387	5,09	3,62
11300	435	4,14	3,22
11500	495	3,72	2,83
12000	552	3,47	2,54
13100	605	3,46	2,31

P4H 200

Mn ₂ [Nm]	i	Pn ₁ [kW]	n ₂ [rpm]
14900	120	19,8	11,7
16200	143	18,1	9,82
15000	160	14,9	8,77
15600	178	14,0	7,88
15600	200	12,4	7,00
15100	221	10,9	6,34
17000	246	11,0	5,68
15200	279	8,64	5,01
17100	311	8,74	4,49
15200	367	6,62	3,82
15500	410	6,02	3,42
17700	457	6,17	3,06
17100	480	5,66	2,91
16200	538	4,79	2,60
18400	600	4,88	2,33

P4H 225

Mn ₂ [Nm]	i	Pn ₁ [kW]	n ₂ [rpm]
22700	130	27,8	10,7
21800	144	24,1	9,71
25000	159	25,0	8,80
24800	185	21,3	7,55
25000	197	20,3	7,12
25100	228	17,5	6,13
22000	251	14,0	5,57
25200	278	14,5	5,04
26500	323	13,0	4,33
22200	358	9,87	3,91
26800	397	10,8	3,53
27300	460	9,45	3,04
26100	484	8,59	2,89
28000	565	7,91	2,48
26800	627	6,81	2,23

P4H 250

Mn ₂ [Nm]	i	Pn ₁ [kW]	n ₂ [rpm]
29400	126	37,2	11,1
29700	147	32,3	9,54
29400	160	29,2	8,74
29900	183	26,0	7,64
29500	200	23,5	7,00
30000	219	21,8	6,41
30100	251	19,1	5,58
29700	274	17,3	5,12
30200	313	15,4	4,47
29800	342	13,9	4,10
30200	407	11,8	3,44
30800	452	10,9	3,10
31200	509	9,76	2,75
31700	564	8,96	2,48
35300	636	8,84	2,20

P4H 280

Mn ₂ [Nm]	i	Pn ₁ [kW]	n ₂ [rpm]
44200	129	54,4	10,8
41000	145	45,1	9,66
44900	155	46,1	9,01
44400	180	39,4	7,80
46400	201	36,7	6,96
44600	232	30,7	6,03
44700	247	28,8	5,66
46900	277	26,9	5,05
45000	320	22,4	4,37
47100	351	21,4	3,99
45500	405	17,9	3,45
47400	454	16,6	3,08
48600	483	16,0	2,90
47700	558	13,6	2,51
49600	625	12,6	2,24

P4H 355

Mn ₂ [Nm]	i	Pn ₁ [kW]	n ₂ [rpm]
81000	126	103	11,1
81400	141	92,1	9,95
82300	155	84,5	9,02
84400	174	77,1	8,03
82800	204	64,7	6,87
85000	229	59,1	6,11
82300	252	52,1	5,56
83300	278	47,8	5,04
85600	312	43,7	4,49
83800	365	36,6	3,84
87000	410	33,8	3,42
85200	453	29,9	3,09
87400	500	27,9	2,80
91300	562	25,9	2,49
83700	627	21,3	2,23

P1H 180

Mn ₂ [Nm]	i	Pn ₁ [kW]	n ₂ [rpm]
8080	2,04	482	559
8460	2,18	473	523
8380	2,55	400	447
8340	2,83	359	403
8490	3,12	331	365
8310	3,60	281	317
8160	4,00	248	285
7730	4,38	215	260
7150	4,92	177	232

P1H 200

Mn ₂ [Nm]	i	Pn ₁ [kW]	n ₂ [rpm]
10900	1,95	683	585
11600	2,25	626	507
11400	2,55	543	447
11200	2,76	495	413
10800	3,11	421	367
10700	3,57	365	319
10600	4,00	322	285
10600	4,46	290	256
9480	4,92	235	232

P1H 225

Mn ₂ [Nm]	i	Pn ₁ [kW]	n ₂ [rpm]
15800	1,96	982	583
17700	2,24	962	509
17400	2,53	839	451
17000	2,78	747	410
16800	3,19	640	358
16800	3,56	573	320
16100	3,93	499	290
15400	4,58	408	249
13100	5,09	312	224

P1H 250

Mn ₂ [Nm]	i	Pn ₁ [kW]	n ₂ [rpm]
18700	2,04	1110	558
19600	2,25	1060	507
20300	2,50	988	456
20600	2,82	890	404
20500	3,27	763	349
20300	3,60	688	317
20500	3,93	635	290
20300	4,36	569	262
18800	4,91	465	232

P1H 280

Mn ₂ [Nm]	i	Pn ₁ [kW]	n ₂ [rpm]
25100	1,96	1560	583
25200	2,24	1370	509
25400	2,48	1250	460
25800	2,79	1130	409
26200	3,11	1030	367
26800	3,59	908	318
25900	3,93	802	290
25700	4,54	688	251
25600	5,08	612	224

P1H 355

Mn ₂ [Nm]	i	Pn ₁ [kW]	n ₂ [rpm]
43800	1,95	2730	583
46500	2,29	2480	499
49400	2,48	2430	460
50600	2,83	2170	402
49800	3,13	1940	365
50200	3,56	1720	320
50100	3,93	1550	290
50300	4,42	1390	258
50300	4,92	1250	232

P2H 180

Mn ₂ [Nm]	i	Pn ₁ [kW]	n ₂ [rpm]
9530	5,66	209	201
9890	6,53	188	175
9760	7,26	167	157
9220	7,96	144	143
9920	8,57	144	133
10300	9,90	130	115
10300	11,0	116	104
9730	12,1	100	94,5
9670	15,0	79,9	75,8
10100	16,7	74,9	68,2
9530	18,3	64,7	62,3
9230	20,6	55,8	55,4
9060	22,8	49,5	50,1
9530	25,0	47,5	45,7

P2H 200

Mn ₂ [Nm]	i	Pn ₁ [kW]	n ₂ [rpm]
14200	5,52	320	207
13600	6,35	266	180
14400	7,11	252	160
13800	7,84	219	145
14500	9,01	200	127
14300	9,66	184	118
14600	11,1	163	103
14200	12,4	142	91,6
13500	14,1	119	81,1
14200	15,7	113	72,5
13800	17,6	97,5	65,0
13200	19,4	85,0	58,9
13600	23,1	73,5	49,5
12900	25,4	63,2	44,8

P2H 225

Mn ₂ [Nm]	i	Pn ₁ [kW]	n ₂ [rpm]
16600	5,62	367	203
18000	6,20	360	184
18500	7,23	318	158
20900	8,02	325	142
20400	8,85	286	129
21300	10,1	261	113
20900	11,2	232	102
19600	13,0	187	87,5
19600	14,5	168	78,5
19800	16,0	154	71,1
18800	18,7	125	61,0
18500	19,7	117	58,0
19200	22,9	104	49,7
16600	25,5	81,1	44,8

P2H 250

Mn ₂ [Nm]	i	Pn ₁ [kW]	n ₂ [rpm]
24600	5,68	539	201
24600	6,20	494	184
24200	6,87	438	166
25600	8,06	395	141
27300	8,79	386	130
27700	10,4	330	109
27900	11,4	305	100
26500	12,6	261	90,4
28800	14,7	244	77,7
29000	16,0	225	71,2
27500	17,8	192	64,2
26200	20,0	163	57,0
27500	22,2	154	51,4
23900	25,0	119	45,6

P2H 280

Mn ₂ [Nm]	i	Pn ₁ [kW]	n ₂ [rpm]
37200	5,82	795	196
34700	6,37	677	179
35500	7,36	600	155
37600	8,20	570	139
35900	8,98	497	127
37900	10,2	463	112
37300	11,1	417	102
37500	12,9	362	88,7
38300	14,1	337	80,8
37900	15,5	305	73,8
37000	17,9	258	63,9
35900	20,0	223	57,0
38100	23,1	205	49,3
34100	25,9	164	44,1

P2H 355

Mn ₂ [Nm]	i	Pn ₁ [kW]	n ₂ [rpm]
61500	5,70	1340	200
62500	6,29	1240	181
64100	7,07	1130	161
65600	8,02	1020	142
67700	8,84	952	129
69700	10,1	859	113
70700	11,1	790	102
71800	12,5	713	91,1
73800	14,0	655	81,4
75300	15,5	606	73,8
76900	17,4	551	65,6
73600	19,4	473	58,9
76900	22,8	419	50,0
75300	25,4	368	44,8

P3H 180

Mn ₂ [Nm]	i	Pn ₁ [kW]	n ₂ [rpm]
10600	28,8	46,7	39,6
10400	32,0	41,0	35,6
9870	35,1	35,7	32,5
11100	39,8	35,2	28,6
10400	43,6	30,1	26,1
11400	51,1	28,4	22,3
10800	56,0	24,5	20,4
10500	62,9	21,1	18,1
11000	69,7	20,0	16,4
10300	80,4	16,3	14,2
11300	88,1	16,3	12,9
10100	98,9	13,0	11,5
9760	110	11,2	10,3
10700	121	11,2	9,43

P3H 200

Mn ₂ [Nm]	i	Pn ₁ [kW]	n ₂ [rpm]
14400	27,8	65,6	41,1
15300	30,6	63,6	37,3
14500	34,2	53,9	33,3
15600	38,6	51,3	29,5
14600	43,3	42,8	26,3
15900	51,5	39,2	22,1
14700	57,7	32,4	19,8
13900	63,1	27,9	18,1
15600	71,2	27,8	16,0
14800	79,8	23,6	14,3
15900	89,0	22,7	12,8
14900	105	18,1	10,9
16500	117	17,9	9,75
14000	129	13,8	8,84

P3H 225

Mn ₂ [Nm]	i	Pn ₁ [kW]	n ₂ [rpm]
18000	28,6	79,8	39,8
19800	31,6	79,5	36,1
20600	36,2	72,3	31,5
20900	39,9	66,5	28,6
20100	46,5	54,9	24,5
20700	51,9	50,7	22,0
21800	57,3	48,3	19,9
20800	63,6	41,5	17,9
22300	70,2	40,3	16,2
22700	81,5	35,4	14,0
21000	90,5	29,5	12,6
23100	100,0	29,4	11,4
22600	116	24,6	9,79
21100	129	20,7	8,81

P3H 250

Mn ₂ [Nm]	i	Pn ₁ [kW]	n ₂ [rpm]
26100	28,0	119	40,8
28500	30,5	119	37,4
29100	36,2	102	31,5
28700	39,5	92,3	28,9
28300	43,8	82,2	26,0
29300	50,9	73,0	22,4
28900	55,6	66,0	20,5
29400	63,6	58,7	17,9
29000	69,4	53,1	16,4
29100	82,8	44,7	13,8
29400	91,8	40,7	12,4
29200	103	35,9	11,0
29500	115	32,7	9,95
28900	129	28,4	8,83

P3H 280

Mn ₂ [Nm]	i	Pn ₁ [kW]	n ₂ [rpm]
36000	29,2	156	39,0
40100	32,0	159	35,6
39300	37,0	135	30,8
41000	39,7	131	28,7
40300	45,8	112	24,9
39100	50,3	98,8	22,7
42600	55,0	98,2	20,7
41700	63,6	83,3	17,9
43800	71,3	78,0	16,0
43000	82,3	66,3	13,8
43300	87,6	62,8	13,0
45400	98,2	58,7	11,6
43900	113	49,2	10,1
40600	127	40,6	8,97

P3H 355

Mn ₂ [Nm]	i	Pn ₁ [kW]	n ₂ [rpm]
73400	28,3	329	40,3
75400	31,2	306	36,5
77400	35,7	276	32,0
79400	39,3	256	29,0
81400	44,2	234	25,8
83400	49,5	214	23,0
85400	54,6	199	20,9
86400	65,0	169	17,5
88400	71,7	157	15,9
88400	80,6	139	14,1
86400	89,2	123	12,8
90500	98,4	117	11,6
90500	111	104	10,3
86100	123	88,7	9,25

P4H 180

Mn ₂ [Nm]	i	Pn ₁ [kW]	n ₂ [rpm]
10300	128	10,4	8,90
11400	142	10,4	8,04
11800	164	9,35	6,96
12400	179	8,99	6,35
11000	201	7,08	5,66
11600	225	6,67	5,07
11700	246	6,16	4,63
11000	277	5,17	4,12
11100	317	4,53	3,60
11300	353	4,17	3,23
12400	387	4,16	2,95
11300	435	3,39	2,62
11600	495	3,04	2,31
12100	552	2,83	2,07
13200	605	2,83	1,89

P4H 200

Mn ₂ [Nm]	i	Pn ₁ [kW]	n ₂ [rpm]
14900	120	16,2	9,52
16200	143	14,8	7,99
15000	160	12,2	7,14
15700	178	11,4	6,42
15600	200	10,1	5,70
15100	221	8,88	5,16
17100	246	8,99	4,63
15200	279	7,07	4,08
17200	311	7,15	3,66
15300	367	5,41	3,11
15500	410	4,92	2,78
17800	457	5,04	2,50
17100	480	4,63	2,37
16300	538	3,92	2,12
18500	600	3,99	1,90

P4H 225

Mn ₂ [Nm]	i	Pn ₁ [kW]	n ₂ [rpm]
22800	130	22,7	8,75
21900	144	19,7	7,91
25100	159	20,4	7,16
24900	185	17,4	6,15
25200	197	16,6	5,80
25200	228	14,3	4,99
22100	251	11,4	4,54
25300	278	11,8	4,11
26600	323	10,7	3,52
22300	358	8,07	3,19
26900	397	8,80	2,87
27400	460	7,73	2,48
26200	484	7,02	2,35
28200	565	6,47	2,02
26900	627	5,57	1,82

P4H 250

Mn ₂ [Nm]	i	Pn ₁ [kW]	n ₂ [rpm]
29600	126	30,4	9,04
29900	147	26,4	7,76
29500	160	23,9	7,12
30000	183	21,2	6,22
29600	200	19,2	5,70
30100	219	17,9	5,22
30200	251	15,6	4,55
29800	274	14,1	4,17
30300	313	12,6	3,64
29900	342	11,4	3,34
30300	407	9,66	2,80
30900	452	8,88	2,52
31300	509	7,98	2,24
31900	564	7,32	2,02
35400	636	7,23	1,79

P4H 280

Mn ₂ [Nm]	i	Pn ₁ [kW]	n ₂ [rpm]
44300	129	44,5	8,81
41200	145	36,9	7,87
45100	155	37,7	7,33
44600	180	32,3	6,35
46600	201	30,0	5,67
44800	232	25,1	4,91
44900	247	23,6	4,61
47100	277	22,0	4,11
45200	320	18,3	3,56
47300	351	17,5	3,25
45700	405	14,6	2,81
47600	454	13,6	2,51
48900	483	13,1	2,36
47900	558	11,1	2,04
49800	625	10,3	1,82

P4H 355

Mn ₂ [Nm]	i	Pn ₁ [kW]	n ₂ [rpm]
81400	126	84,0	9,07
81700	141	75,3	8,10
82600	155	69,1	7,35
84800	174	63,1	6,53
83100	204	52,9	5,59
85400	229	48,3	4,97
82700	252	42,6	4,53
83700	278	39,1	4,11
86000	312	35,7	3,65
84200	365	30,0	3,13
87400	410	27,7	2,78
85600	453	24,5	2,51
87800	500	22,8	2,28
91700	562	21,2	2,03
84100	627	17,4	1,82

P1H 180

Mn ₂ [Nm]	i	Pn ₁ [kW]	n ₂ [rpm]
8240	2,04	388	441
8620	2,18	380	413
8540	2,55	322	353
8500	2,83	289	318
8650	3,12	267	288
8470	3,60	226	250
8320	4,00	200	225
7880	4,38	173	205
7290	4,92	142	183

P1H 200

Mn ₂ [Nm]	i	Pn ₁ [kW]	n ₂ [rpm]
11100	1,95	549	462
11800	2,25	504	400
11600	2,55	437	353
11400	2,76	398	326
11000	3,11	339	289
10900	3,57	294	252
10800	4,00	259	225
10800	4,46	234	202
9670	4,92	189	183

P1H 225

Mn ₂ [Nm]	i	Pn ₁ [kW]	n ₂ [rpm]
16100	1,96	791	460
18000	2,24	774	402
17800	2,53	676	356
17400	2,78	601	324
17100	3,19	516	282
17100	3,56	461	253
16400	3,93	401	229
15700	4,58	329	196
13300	5,09	251	177

P1H 250

Mn ₂ [Nm]	i	Pn ₁ [kW]	n ₂ [rpm]
19000	2,04	895	440
20000	2,25	853	400
20700	2,50	795	360
21100	2,82	717	319
20900	3,27	614	276
20700	3,60	554	250
20900	3,93	511	229
20700	4,36	458	207
19100	4,91	375	183

P1H 280

Mn ₂ [Nm]	i	Pn ₁ [kW]	n ₂ [rpm]
25600	1,96	1260	460
25700	2,24	1100	402
25900	2,48	1010	363
26300	2,79	907	323
26700	3,11	828	290
27300	3,59	731	251
26400	3,93	645	229
26200	4,54	554	198
26100	5,08	493	177

P1H 355

Mn ₂ [Nm]	i	Pn ₁ [kW]	n ₂ [rpm]
44600	1,95	2190	460
47400	2,29	1990	394
50400	2,48	1960	363
51500	2,83	1750	318
50800	3,13	1560	288
51200	3,56	1380	253
51000	3,93	1250	229
51300	4,42	1120	204
51300	4,92	1000	183

P2H 180

Mn ₂ [Nm]	i	Pn ₁ [kW]	n ₂ [rpm]
9670	5,66	168	159
10000	6,53	151	138
9910	7,26	134	124
9360	7,96	115	113
10100	8,57	115	105
10500	9,90	104	90,9
10500	11,0	93,3	81,8
9880	12,1	80,4	74,6
9810	15,0	64,0	59,8
10200	16,7	60,0	53,9
9670	18,3	51,8	49,2
9370	20,6	44,7	43,8
9190	22,8	39,6	39,5
9670	25,0	38,0	36,1

P2H 200

Mn ₂ [Nm]	i	Pn ₁ [kW]	n ₂ [rpm]
14400	5,52	256	163
13800	6,35	213	142
14600	7,11	202	127
14000	7,84	176	115
14700	9,01	160	99,9
14500	9,66	147	93,2
14800	11,1	130	81,0
14500	12,4	114	72,3
13700	14,1	95,5	64,1
14500	15,7	90,2	57,2
14000	17,6	78,1	51,3
13400	19,4	68,0	46,5
13800	23,1	58,9	39,0
13100	25,4	50,6	35,4

P2H 225

Mn ₂ [Nm]	i	Pn ₁ [kW]	n ₂ [rpm]
16800	5,62	294	160
18300	6,20	289	145
18700	7,23	254	125
21200	8,02	260	112
20700	8,85	229	102
21600	10,1	209	88,9
21200	11,2	186	80,5
19900	13,0	150	69,1
19900	14,5	134	62,0
20100	16,0	123	56,1
19100	18,7	100	48,2
18800	19,7	93,9	45,8
19500	22,9	83,6	39,3
16800	25,5	64,9	35,4

P2H 250

Mn ₂ [Nm]	i	Pn ₁ [kW]	n ₂ [rpm]
25000	5,68	432	159
25000	6,20	396	145
24600	6,87	351	131
26000	8,06	317	112
27700	8,79	309	102
28100	10,4	265	86,4
28300	11,4	244	79,1
26900	12,6	209	71,4
29300	14,7	196	61,3
29500	16,0	181	56,2
27900	17,8	154	50,7
26600	20,0	131	45,0
27900	22,2	123	40,6
24200	25,0	95,1	36,0

P2H 280

Mn ₂ [Nm]	i	Pn ₁ [kW]	n ₂ [rpm]
37700	5,82	637	155
35200	6,37	542	141
36000	7,36	480	122
38200	8,20	457	110
36400	8,98	398	100
38400	10,2	371	88,5
37900	11,1	334	80,9
38000	12,9	290	70,0
38800	14,1	270	63,8
38400	15,5	244	58,2
37600	17,9	206	50,4
36400	20,0	179	45,0
38700	23,1	164	39,0
34600	25,9	131	34,8

P2H 355

Mn ₂ [Nm]	i	Pn ₁ [kW]	n ₂ [rpm]
62400	5,70	1070	158
63400	6,29	991	143
65000	7,07	903	127
66600	8,02	815	112
68600	8,84	762	102
70700	10,1	688	89,2
71800	11,1	633	80,9
72800	12,5	571	71,9
74900	14,0	525	64,2
76400	15,5	486	58,2
78000	17,4	441	51,8
74700	19,4	379	46,5
78000	22,8	336	39,4
76400	25,4	295	35,4

P3H 180

Mn ₂ [Nm]	i	Pn ₁ [kW]	n ₂ [rpm]
10600	28,8	37,0	31,2
10400	32,0	32,5	28,1
9910	35,1	28,3	25,6
11100	39,8	27,9	22,6
10400	43,6	23,9	20,6
11500	51,1	22,5	17,6
10900	56,0	19,4	16,1
10500	62,9	16,7	14,3
11000	69,7	15,8	12,9
10400	80,4	12,9	11,2
11400	88,1	12,9	10,2
10100	98,9	10,3	9,10
9800	110	8,90	8,16
10700	121	8,89	7,44

P3H 200

Mn ₂ [Nm]	i	Pn ₁ [kW]	n ₂ [rpm]
14400	27,8	52,0	32,4
15400	30,6	50,4	29,5
14600	34,2	42,7	26,3
15700	38,6	40,7	23,3
14700	43,3	34,0	20,8
16000	51,5	31,0	17,5
14800	57,7	25,7	15,6
13900	63,1	22,1	14,3
15700	71,2	22,1	12,6
14900	79,8	18,7	11,3
16000	89,0	18,0	10,1
15000	105	14,3	8,59
16600	117	14,2	7,70
14100	129	11,0	6,98

P3H 225

Mn ₂ [Nm]	i	Pn ₁ [kW]	n ₂ [rpm]
18100	28,6	63,2	31,4
19900	31,6	63,0	28,5
20700	36,2	57,3	24,9
21000	39,9	52,7	22,5
20200	46,5	43,5	19,3
20800	51,9	40,2	17,4
21900	57,3	38,3	15,7
20900	63,6	32,9	14,1
22400	70,2	32,0	12,8
22800	81,5	28,0	11,0
21100	90,5	23,3	9,94
23200	100,0	23,3	9,00
22700	116	19,5	7,73
21200	129	16,4	6,96

P3H 250

Mn ₂ [Nm]	i	Pn ₁ [kW]	n ₂ [rpm]
26200	28,0	94,0	32,2
28600	30,5	94,1	29,5
29200	36,2	80,9	24,9
28800	39,5	73,1	22,8
28500	43,8	65,2	20,6
29400	50,9	57,8	17,7
29000	55,6	52,3	16,2
29500	63,6	46,5	14,1
29100	69,4	42,1	13,0
29200	82,8	35,4	10,9
29500	91,8	32,2	9,81
29400	103	28,5	8,71
29600	115	25,9	7,85
29000	129	22,5	6,97

P3H 280

Mn ₂ [Nm]	i	Pn ₁ [kW]	n ₂ [rpm]
36100	29,2	124	30,8
40200	32,0	126	28,1
39500	37,0	107	24,4
41200	39,7	104	22,7
40400	45,8	88,4	19,6
39300	50,3	78,3	17,9
42700	55,0	77,8	16,3
41900	63,6	66,1	14,2
44000	71,3	61,8	12,6
43100	82,3	52,5	10,9
43500	87,6	49,7	10,3
45600	98,2	46,5	9,17
44100	113	39,0	7,93
40700	127	32,1	7,08

P3H 355

Mn ₂ [Nm]	i	Pn ₁ [kW]	n ₂ [rpm]
73700	28,3	261	31,8
75700	31,2	243	28,8
77700	35,7	218	25,2
79700	39,3	203	22,9
81700	44,2	185	20,4
83700	49,5	170	18,2
85800	54,6	157	16,5
86800	65,0	134	13,8
88800	71,7	124	12,5
88800	80,6	110	11,2
86800	89,2	97,5	10,1
90800	98,4	92,6	9,15
90800	111	82,3	8,14
86400	123	70,3	7,30

P4H 180

Mn ₂ [Nm]	i	Pn ₁ [kW]	n ₂ [rpm]
10400	128	8,28	7,03
11400	142	8,22	6,34
11800	164	7,41	5,50
12500	179	7,12	5,02
11000	201	5,61	4,47
11600	225	5,28	4,00
11700	246	4,88	3,65
11100	277	4,10	3,25
11100	317	3,59	2,84
11400	353	3,30	2,55
12500	387	3,30	2,33
11400	435	2,68	2,07
11600	495	2,41	1,82
12100	552	2,25	1,63
13200	605	2,24	1,49

P4H 200

Mn ₂ [Nm]	i	Pn ₁ [kW]	n ₂ [rpm]
15000	120	12,8	7,51
16300	143	11,7	6,31
15100	160	9,68	5,64
15700	178	9,07	5,07
15700	200	8,04	4,50
15200	221	7,03	4,07
17100	246	7,13	3,65
15300	279	5,60	3,22
17200	311	5,67	2,89
15400	367	4,29	2,45
15600	410	3,90	2,20
17800	457	4,00	1,97
17200	480	3,67	1,87
16300	538	3,11	1,67
18500	600	3,16	1,50

P4H 225

Mn ₂ [Nm]	i	Pn ₁ [kW]	n ₂ [rpm]
22900	130	18,0	6,91
22000	144	15,6	6,25
25200	159	16,2	5,66
25000	185	13,8	4,85
25300	197	13,2	4,58
25300	228	11,4	3,94
22200	251	9,04	3,58
25400	278	9,38	3,24
26700	323	8,46	2,78
22300	358	6,40	2,52
27000	397	6,97	2,27
27500	460	6,12	1,96
26300	484	5,57	1,86
28300	565	5,13	1,59
27000	627	4,41	1,44

P4H 250

Mn ₂ [Nm]	i	Pn ₁ [kW]	n ₂ [rpm]
29700	126	24,1	7,13
30000	147	20,9	6,13
29600	160	18,9	5,62
30100	183	16,8	4,91
29700	200	15,2	4,50
30200	219	14,2	4,12
30300	251	12,4	3,59
29900	274	11,2	3,29
30400	313	9,95	2,87
30000	342	9,00	2,63
30400	407	7,65	2,21
31100	452	7,04	1,99
31400	509	6,33	1,77
32000	564	5,80	1,60
35500	636	5,73	1,42

P4H 280

Mn ₂ [Nm]	i	Pn ₁ [kW]	n ₂ [rpm]
44500	129	35,3	6,96
41300	145	29,2	6,21
45300	155	29,9	5,79
44800	180	25,6	5,01
46800	201	23,8	4,47
45000	232	19,9	3,88
45100	247	18,7	3,64
47300	277	17,5	3,25
45300	320	14,5	2,81
47500	351	13,9	2,57
45900	405	11,6	2,22
47800	454	10,8	1,98
49100	483	10,4	1,86
48100	558	8,81	1,61
50000	625	8,19	1,44

P4H 355

Mn ₂ [Nm]	i	Pn ₁ [kW]	n ₂ [rpm]
81700	126	66,6	7,16
82000	141	59,7	6,40
83000	155	54,8	5,80
85100	174	50,0	5,16
83500	204	41,9	4,42
85700	229	38,3	3,93
83000	252	33,8	3,58
84000	278	31,0	3,24
86300	312	28,3	2,88
84500	365	23,7	2,47
87700	410	21,9	2,20
85900	453	19,4	1,98
88200	500	18,1	1,80
92100	562	16,8	1,60
84400	627	13,8	1,44

P1H 180

Mn ₂ [Nm]	i	Pn ₁ [kW]	n ₂ [rpm]
8320	2,04	305	343
8710	2,18	299	321
8620	2,55	253	275
8580	2,83	227	247
8740	3,12	210	224
8550	3,60	178	194
8400	4,00	157	175
7950	4,38	136	160
7360	4,92	112	142

P1H 200

Mn ₂ [Nm]	i	Pn ₁ [kW]	n ₂ [rpm]
11300	1,95	432	359
11900	2,25	396	311
11700	2,55	343	275
11500	2,76	313	254
11100	3,11	266	225
11000	3,57	231	196
10900	4,00	204	175
10900	4,46	183	157
9760	4,92	148	142

P1H 225

Mn ₂ [Nm]	i	Pn ₁ [kW]	n ₂ [rpm]
16200	1,96	621	358
18200	2,24	608	313
17900	2,53	531	277
17500	2,78	472	252
17300	3,19	405	220
17300	3,56	362	196
16600	3,93	315	178
15800	4,58	258	153
13400	5,09	197	138

P1H 250

Mn ₂ [Nm]	i	Pn ₁ [kW]	n ₂ [rpm]
19200	2,04	703	343
20200	2,25	670	311
20900	2,50	625	280
21300	2,82	563	248
21100	3,27	482	214
20900	3,60	435	194
21100	3,93	401	178
20900	4,36	359	161
19300	4,91	294	143

P1H 280

Mn ₂ [Nm]	i	Pn ₁ [kW]	n ₂ [rpm]
25900	1,96	989	358
25900	2,24	867	313
26200	2,48	791	283
26600	2,79	712	251
27000	3,11	650	225
27500	3,59	574	195
26600	3,93	507	178
26400	4,54	435	154
26300	5,08	387	138

P1H 355

Mn ₂ [Nm]	i	Pn ₁ [kW]	n ₂ [rpm]
45000	1,95	1720	358
47900	2,29	1570	306
50900	2,48	1540	283
52000	2,83	1370	247
51200	3,13	1230	224
51600	3,56	1080	196
51500	3,93	981	178
51800	4,42	877	158
51800	4,92	787	142

P2H 180

Mn ₂ [Nm]	i	Pn ₁ [kW]	n ₂ [rpm]
9950	5,66	134	124
10300	6,53	121	107
10200	7,26	107	96,4
9630	7,96	92,4	87,9
10400	8,57	92,3	81,7
10800	9,90	83,2	70,7
10800	11,0	74,6	63,6
10200	12,1	64,3	58,0
10100	15,0	51,3	46,5
10500	16,7	48,0	41,9
9950	18,3	41,5	38,2
9640	20,6	35,8	34,0
9450	22,8	31,7	30,7
9950	25,0	30,4	28,0

P2H 200

Mn ₂ [Nm]	i	Pn ₁ [kW]	n ₂ [rpm]
14800	5,52	205	127
14200	6,35	171	110
15000	7,11	161	98,5
14400	7,84	141	89,3
15200	9,01	128	77,7
14900	9,66	118	72,5
15200	11,1	104	63,0
14900	12,4	91,3	56,3
14100	14,1	76,5	49,8
14900	15,7	72,2	44,5
14400	17,6	62,5	39,9
13800	19,4	54,5	36,2
14200	23,1	47,1	30,4
13500	25,4	40,5	27,5

P2H 225

Mn ₂ [Nm]	i	Pn ₁ [kW]	n ₂ [rpm]
17300	5,62	236	125
18800	6,20	231	113
19300	7,23	204	96,9
21900	8,02	208	87,3
21300	8,85	184	79,1
22200	10,1	167	69,1
21800	11,2	149	62,6
20500	13,0	120	53,7
20400	14,5	107	48,2
20700	16,0	98,6	43,7
19600	18,7	80,1	37,5
19400	19,7	75,1	35,6
20100	22,9	66,9	30,5
17300	25,5	52,0	27,5

P2H 250

Mn ₂ [Nm]	i	Pn ₁ [kW]	n ₂ [rpm]
25700	5,68	345	123
25700	6,20	316	113
25300	6,87	281	102
26800	8,06	253	86,9
28500	8,79	247	79,6
28900	10,4	212	67,2
29100	11,4	196	61,6
27600	12,6	167	55,5
30100	14,7	157	47,7
30300	16,0	144	43,7
28700	17,8	123	39,4
27400	20,0	105	35,0
28700	22,2	98,8	31,6
24900	25,0	76,1	28,0

P2H 280

Mn ₂ [Nm]	i	Pn ₁ [kW]	n ₂ [rpm]
38800	5,82	509	120
36200	6,37	434	110
37000	7,36	384	95,2
39300	8,20	366	85,3
37500	8,98	319	78,0
39600	10,2	297	68,9
39000	11,1	267	62,9
39100	12,9	232	54,4
39900	14,1	216	49,6
39500	15,5	195	45,3
38600	17,9	165	39,2
37500	20,0	143	35,0
39800	23,1	131	30,3
35600	25,9	105	27,0

P2H 355

Mn ₂ [Nm]	i	Pn ₁ [kW]	n ₂ [rpm]
64200	5,70	860	123
65300	6,29	793	111
66900	7,07	723	99,1
68500	8,02	652	87,3
70600	8,84	610	79,2
72800	10,1	550	69,3
73800	11,1	506	62,9
74900	12,5	457	55,9
77000	14,0	420	50,0
78600	15,5	389	45,3
80300	17,4	353	40,3
76900	19,4	303	36,1
80300	22,8	269	30,7
78600	25,4	236	27,5

P3H 180

Mn ₂ [Nm]	i	Pn ₁ [kW]	n ₂ [rpm]
10700	28,8	28,9	24,3
10400	32,0	25,4	21,9
9970	35,1	22,1	19,9
11200	39,8	21,8	17,6
10400	43,6	18,7	16,0
11500	51,1	17,6	13,7
10900	56,0	15,2	12,5
10600	62,9	13,1	11,1
11100	69,7	12,4	10,1
10400	80,4	10,1	8,71
11400	88,1	10,1	7,95
10200	98,9	8,03	7,08
9860	110	6,97	6,34
10800	121	6,96	5,79

P3H 200

Mn ₂ [Nm]	i	Pn ₁ [kW]	n ₂ [rpm]
14500	27,8	40,7	25,2
15500	30,6	39,4	22,9
14700	34,2	33,4	20,5
15800	38,6	31,8	18,1
14700	43,3	26,6	16,2
16000	51,5	24,3	13,6
14800	57,7	20,1	12,1
14000	63,1	17,3	11,1
15800	71,2	17,3	9,83
15000	79,8	14,6	8,77
16100	89,0	14,1	7,87
15000	105	11,2	6,68
16700	117	11,1	5,99
14200	129	8,57	5,43

P3H 225

Mn ₂ [Nm]	i	Pn ₁ [kW]	n ₂ [rpm]
18200	28,6	49,4	24,5
20000	31,6	49,3	22,1
20800	36,2	44,8	19,4
21100	39,9	41,2	17,5
20300	46,5	34,0	15,0
20900	51,9	31,4	13,5
22000	57,3	30,0	12,2
21000	63,6	25,7	11,0
22500	70,2	25,0	9,97
22900	81,5	21,9	8,59
21200	90,5	18,3	7,73
23300	100,0	18,2	7,00
22800	116	15,3	6,01
21300	129	12,8	5,41

P3H 250

Mn ₂ [Nm]	i	Pn ₁ [kW]	n ₂ [rpm]
26400	28,0	73,5	25,0
28800	30,5	73,6	22,9
29300	36,2	63,2	19,4
29000	39,5	57,2	17,7
28600	43,8	50,9	16,0
29600	50,9	45,2	13,7
29200	55,6	40,9	12,6
29700	63,6	36,4	11,0
29300	69,4	32,9	10,1
29400	82,8	27,7	8,46
29700	91,8	25,2	7,63
29500	103	22,3	6,77
29800	115	20,3	6,11
29100	129	17,6	5,42

P3H 280

Mn ₂ [Nm]	i	Pn ₁ [kW]	n ₂ [rpm]
36300	29,2	96,9	24,0
40500	32,0	98,6	21,9
39700	37,0	83,8	18,9
41400	39,7	81,5	17,7
40600	45,8	69,2	15,3
39500	50,3	61,3	13,9
43000	55,0	60,8	12,7
42100	63,6	51,7	11,0
44200	71,3	48,4	9,82
43400	82,3	41,1	8,50
43700	87,6	38,9	7,99
45800	98,2	36,4	7,13
44300	113	30,5	6,17
41000	127	25,1	5,51

P3H 355

Mn ₂ [Nm]	i	Pn ₁ [kW]	n ₂ [rpm]
74100	28,3	204	24,7
76100	31,2	190	22,4
78100	35,7	171	19,6
80100	39,3	159	17,8
82200	44,2	145	15,8
84200	49,5	133	14,1
86200	54,6	123	12,8
87200	65,0	105	10,8
89300	71,7	97,1	9,76
89300	80,6	86,3	8,68
87200	89,2	76,3	7,85
91300	98,4	72,4	7,12
91300	111	64,4	6,33
86900	123	55,0	5,68

P4H 180

Mn ₂ [Nm]	i	Pn ₁ [kW]	n ₂ [rpm]
10800	128	6,70	5,46
11900	142	6,66	4,93
12300	164	6,00	4,28
13000	179	5,77	3,90
11500	201	4,54	3,47
12100	225	4,28	3,11
12200	246	3,95	2,84
11500	277	3,32	2,53
11600	317	2,91	2,21
11900	353	2,67	1,98
13000	387	2,67	1,81
11900	435	2,17	1,61
12100	495	1,95	1,42
12600	552	1,82	1,27
13800	605	1,82	1,16

P4H 200

Mn ₂ [Nm]	i	Pn ₁ [kW]	n ₂ [rpm]
15600	120	10,4	5,84
17000	143	9,48	4,91
15700	160	7,84	4,38
16400	178	7,35	3,94
16300	200	6,51	3,50
15800	221	5,70	3,17
17900	246	5,77	2,84
15900	279	4,54	2,51
17900	311	4,59	2,25
16000	367	3,48	1,91
16200	410	3,16	1,71
18600	457	3,24	1,53
17900	480	2,97	1,46
17000	538	2,51	1,30
19300	600	2,56	1,17

P4H 225

Mn ₂ [Nm]	i	Pn ₁ [kW]	n ₂ [rpm]
23800	130	14,6	5,37
22900	144	12,6	4,86
26200	159	13,1	4,40
26000	185	11,2	3,78
26300	197	10,7	3,56
26400	228	9,20	3,07
23100	251	7,32	2,78
26500	278	7,60	2,52
27800	323	6,85	2,16
23300	358	5,18	1,96
28100	397	5,64	1,76
28700	460	4,96	1,52
27400	484	4,51	1,44
29400	565	4,15	1,24
28100	627	3,57	1,12

P4H 250

Mn ₂ [Nm]	i	Pn ₁ [kW]	n ₂ [rpm]
30900	126	19,5	5,55
31200	147	16,9	4,77
30800	160	15,3	4,37
31400	183	13,6	3,82
31000	200	12,3	3,50
31500	219	11,5	3,20
31600	251	10,0	2,79
31100	274	9,06	2,56
31700	313	8,06	2,24
31300	342	7,29	2,05
31700	407	6,20	1,72
32300	452	5,70	1,55
32700	509	5,12	1,38
33300	564	4,70	1,24
37000	636	4,64	1,10

P4H 280

Mn ₂ [Nm]	i	Pn ₁ [kW]	n ₂ [rpm]
46400	129	28,5	5,41
43100	145	23,7	4,83
47200	155	24,2	4,50
46700	180	20,7	3,90
48700	201	19,3	3,48
46900	232	16,1	3,02
47000	247	15,1	2,83
49200	277	14,1	2,53
47200	320	11,7	2,19
49500	351	11,2	2,00
47800	405	9,40	1,73
49800	454	8,73	1,54
51100	483	8,42	1,45
50000	558	7,14	1,25
52000	625	6,63	1,12

P4H 355

Mn ₂ [Nm]	i	Pn ₁ [kW]	n ₂ [rpm]
85100	126	53,9	5,57
85400	141	48,4	4,97
86400	155	44,4	4,51
88600	174	40,5	4,01
86900	204	34,0	3,43
89300	229	31,0	3,05
86400	252	27,4	2,78
87500	278	25,1	2,52
89800	312	22,9	2,24
88000	365	19,2	1,92
91400	410	17,8	1,71
89400	453	15,7	1,54
91800	500	14,6	1,40
95900	562	13,6	1,25
87900	627	11,2	1,12

P1H 180

Mn ₂ [Nm]	i	Pn ₁ [kW]	n ₂ [rpm]
8470	2,04	222	245
8870	2,18	217	229
8790	2,55	184	196
8750	2,83	165	177
8900	3,12	152	160
8720	3,60	129	139
8560	4,00	114	125
8110	4,38	98,9	114
7500	4,92	81,4	102

P1H 200

Mn ₂ [Nm]	i	Pn ₁ [kW]	n ₂ [rpm]
11500	1,95	314	256
12100	2,25	288	222
11900	2,55	250	196
11800	2,76	228	181
11300	3,11	194	161
11200	3,57	168	140
11100	4,00	148	125
11100	4,46	133	112
9950	4,92	108	102

P1H 225

Mn ₂ [Nm]	i	Pn ₁ [kW]	n ₂ [rpm]
16600	1,96	452	256
18500	2,24	443	223
18300	2,53	386	198
17900	2,78	343	180
17600	3,19	295	157
17600	3,56	264	140
16900	3,93	230	127
16100	4,58	188	109
13700	5,09	144	98,2

P1H 250

Mn ₂ [Nm]	i	Pn ₁ [kW]	n ₂ [rpm]
19600	2,04	511	245
20500	2,25	488	222
21300	2,50	455	200
21700	2,82	410	177
21500	3,27	351	153
21300	3,60	317	139
21500	3,93	292	127
21300	4,36	262	115
19700	4,91	214	102

P1H 280

Mn ₂ [Nm]	i	Pn ₁ [kW]	n ₂ [rpm]
26400	1,96	720	256
26400	2,24	631	223
26700	2,48	576	202
27100	2,79	518	179
27500	3,11	473	161
28100	3,59	418	139
27100	3,93	369	127
26900	4,54	317	110
26800	5,08	282	98,4

P1H 355

Mn ₂ [Nm]	i	Pn ₁ [kW]	n ₂ [rpm]
45900	1,95	1250	256
48800	2,29	1140	219
51800	2,48	1120	202
53000	2,83	1000	176
52200	3,13	893	160
52600	3,56	789	140
52500	3,93	714	127
52800	4,42	638	113
52800	4,92	573	102

P2H 180

Mn ₂ [Nm]	i	Pn ₁ [kW]	n ₂ [rpm]
10200	5,66	98,6	88,4
10600	6,53	88,6	76,6
10500	7,26	78,7	68,9
9900	7,96	67,8	62,8
10700	8,57	67,8	58,3
11100	9,90	61,1	50,5
11100	11,0	54,8	45,5
10500	12,1	47,3	41,5
10400	15,0	37,6	33,2
10800	16,7	35,3	29,9
10200	18,3	30,5	27,3
9910	20,6	26,3	24,3
9720	22,8	23,3	22,0
10200	25,0	22,4	20,0

P2H 200

Mn ₂ [Nm]	i	Pn ₁ [kW]	n ₂ [rpm]
15200	5,52	150	90,6
14600	6,35	125	78,7
15500	7,11	119	70,3
14900	7,84	103	63,8
15600	9,01	94,2	55,5
15300	9,66	86,5	51,8
15600	11,1	76,7	45,0
15300	12,4	67,0	40,2
14500	14,1	56,1	35,6
15300	15,7	53,0	31,8
14800	17,6	45,9	28,5
14200	19,4	40,0	25,8
14600	23,1	34,6	21,7
13900	25,4	29,8	19,7

P2H 225

Mn ₂ [Nm]	i	Pn ₁ [kW]	n ₂ [rpm]
17800	5,62	173	89,0
19300	6,20	170	80,6
19800	7,23	149	69,2
22500	8,02	153	62,4
21900	8,85	135	56,5
22800	10,1	123	49,4
22400	11,2	109	44,7
21100	13,0	88,3	38,4
21000	14,5	78,9	34,4
21300	16,0	72,4	31,2
20200	18,7	58,8	26,8
19900	19,7	55,2	25,4
20600	22,9	49,1	21,8
17800	25,5	38,2	19,6

P2H 250

Mn ₂ [Nm]	i	Pn ₁ [kW]	n ₂ [rpm]
26400	5,68	254	88,1
26400	6,20	232	80,7
26000	6,87	206	72,8
27500	8,06	186	62,1
29300	8,79	182	56,9
29700	10,4	155	48,0
30000	11,4	144	44,0
28400	12,6	123	39,6
30900	14,7	115	34,1
31200	16,0	106	31,2
29500	17,8	90,5	28,1
28200	20,0	76,8	25,0
29500	22,2	72,6	22,5
25600	25,0	55,9	20,0

P2H 280

Mn ₂ [Nm]	i	Pn ₁ [kW]	n ₂ [rpm]
39900	5,82	374	86,0
37200	6,37	319	78,5
38100	7,36	282	68,0
40400	8,20	269	61,0
38500	8,98	234	55,7
40700	10,2	218	49,2
40100	11,1	196	44,9
40200	12,9	171	38,9
41100	14,1	159	35,4
40600	15,5	143	32,4
39700	17,9	121	28,0
38500	20,0	105	25,0
40900	23,1	96,5	21,6
36600	25,9	77,1	19,3

P2H 355

Mn ₂ [Nm]	i	Pn ₁ [kW]	n ₂ [rpm]
66000	5,70	631	87,7
67100	6,29	582	79,5
68800	7,07	531	70,8
70400	8,02	479	62,4
72600	8,84	448	56,6
74800	10,1	404	49,5
75900	11,1	372	44,9
77000	12,5	336	40,0
79200	14,0	308	35,7
80900	15,5	285	32,4
82500	17,4	259	28,8
79000	19,4	223	25,8
82500	22,8	197	21,9
80900	25,4	173	19,7

P3H 180

Mn ₂ [Nm]	i	Pn ₁ [kW]	n ₂ [rpm]
10800	28,8	20,8	17,3
10500	32,0	18,3	15,6
10100	35,1	16,0	14,2
11300	39,8	15,7	12,6
10500	43,6	13,5	11,5
11600	51,1	12,7	9,78
11000	56,0	10,9	8,93
10700	62,9	9,43	7,95
11200	69,7	8,92	7,18
10500	80,4	7,30	6,22
11500	88,1	7,28	5,68
10300	98,9	5,79	5,06
9940	110	5,02	4,53
10900	121	5,01	4,13

P3H 200

Mn ₂ [Nm]	i	Pn ₁ [kW]	n ₂ [rpm]
14600	27,8	29,3	18,0
15600	30,6	28,4	16,4
14800	34,2	24,1	14,6
15900	38,6	22,9	12,9
14900	43,3	19,1	11,6
16200	51,5	17,5	9,71
15000	57,7	14,5	8,67
14100	63,1	12,5	7,92
15900	71,2	12,4	7,02
15100	79,8	10,5	6,27
16200	89,0	10,1	5,62
15200	105	8,06	4,77
16800	117	8,00	4,28
14300	129	6,17	3,88

P3H 225

Mn ₂ [Nm]	i	Pn ₁ [kW]	n ₂ [rpm]
18300	28,6	35,6	17,5
20200	31,6	35,5	15,8
21000	36,2	32,3	13,8
21300	39,9	29,7	12,5
20500	46,5	24,5	10,7
21100	51,9	22,6	9,64
22200	57,3	21,6	8,73
21200	63,6	18,5	7,86
22700	70,2	18,0	7,12
23100	81,5	15,8	6,13
21400	90,5	13,2	5,52
23500	100,0	13,1	5,00
23000	116	11,0	4,29
21500	129	9,25	3,86

P3H 250

Mn ₂ [Nm]	i	Pn ₁ [kW]	n ₂ [rpm]
26600	28,0	53,0	17,9
29100	30,5	53,0	16,4
29600	36,2	45,6	13,8
29200	39,5	41,2	12,7
28900	43,8	36,7	11,4
29800	50,9	32,6	9,82
29400	55,6	29,5	8,99
29900	63,6	26,2	7,86
29500	69,4	23,7	7,20
29700	82,8	20,0	6,04
29900	91,8	18,2	5,45
29800	103	16,1	4,84
30100	115	14,6	4,36
29400	129	12,7	3,87

P3H 280

Mn ₂ [Nm]	i	Pn ₁ [kW]	n ₂ [rpm]
36600	29,2	69,8	17,1
40800	32,0	71,1	15,6
40100	37,0	60,4	13,5
41800	39,7	58,7	12,6
41000	45,8	49,8	10,9
39900	50,3	44,1	9,94
43300	55,0	43,8	9,08
42500	63,6	37,2	7,86
44600	71,3	34,8	7,02
43800	82,3	29,6	6,07
44100	87,6	28,0	5,71
46200	98,2	26,2	5,09
44700	113	22,0	4,41
41300	127	18,1	3,94

P3H 355

Mn ₂ [Nm]	i	Pn ₁ [kW]	n ₂ [rpm]
74700	28,3	147	17,7
76800	31,2	137	16,0
78800	35,7	123	14,0
80900	39,3	114	12,7
82900	44,2	104	11,3
85000	49,5	95,6	10,1
87000	54,6	88,7	9,16
88000	65,0	75,4	7,69
90100	71,7	69,9	6,97
90100	80,6	62,2	6,20
88000	89,2	55,0	5,61
92100	98,4	52,2	5,08
92100	111	46,4	4,52
87700	123	39,6	4,06

P4H 180

Mn ₂ [Nm]	i	Pn ₁ [kW]	n ₂ [rpm]
11400	128	5,06	3,90
12500	142	5,03	3,52
13000	164	4,53	3,05
13700	179	4,36	2,79
12200	201	3,43	2,48
12800	225	3,23	2,22
12900	246	2,98	2,03
12200	277	2,51	1,81
12200	317	2,20	1,58
12500	353	2,02	1,42
13700	387	2,02	1,29
12500	435	1,64	1,15
12800	495	1,47	1,01
13300	552	1,37	0,906
14600	605	1,37	0,827

P4H 200

Mn ₂ [Nm]	i	Pn ₁ [kW]	n ₂ [rpm]
16500	120	7,84	4,17
17900	143	7,16	3,51
16600	160	5,92	3,13
17300	178	5,55	2,82
17300	200	4,91	2,50
16700	221	4,30	2,26
18900	246	4,36	2,03
16800	279	3,43	1,79
19000	311	3,46	1,61
16900	367	2,62	1,36
17200	410	2,39	1,22
19600	457	2,45	1,09
18900	480	2,24	1,04
18000	538	1,90	0,929
20400	600	1,94	0,833

P4H 225

Mn ₂ [Nm]	i	Pn ₁ [kW]	n ₂ [rpm]
25200	130	11,0	3,84
24200	144	9,54	3,47
27700	159	9,90	3,14
27500	185	8,43	2,70
27800	197	8,04	2,54
27900	228	6,95	2,19
24400	251	5,53	1,99
28000	278	5,74	1,80
29400	323	5,17	1,55
24600	358	3,91	1,40
29700	397	4,26	1,26
30300	460	3,74	1,09
29000	484	3,40	1,03
31100	565	3,14	0,886
29700	627	2,70	0,797

P4H 250

Mn ₂ [Nm]	i	Pn ₁ [kW]	n ₂ [rpm]
32700	126	14,7	3,96
33000	147	12,8	3,41
32600	160	11,6	3,12
33200	183	10,3	2,73
32700	200	9,31	2,50
33300	219	8,66	2,29
33400	251	7,57	1,99
32900	274	6,84	1,83
33500	313	6,09	1,60
33100	342	5,50	1,46
33500	407	4,68	1,23
34200	452	4,30	1,11
34600	509	3,87	0,983
35200	564	3,55	0,886
39100	636	3,50	0,787

P4H 280

Mn ₂ [Nm]	i	Pn ₁ [kW]	n ₂ [rpm]
49000	129	21,6	3,87
45500	145	17,9	3,45
49900	155	18,3	3,22
49300	180	15,6	2,78
51500	201	14,6	2,49
49600	232	12,2	2,16
49700	247	11,4	2,02
52000	277	10,7	1,80
49900	320	8,87	1,56
52300	351	8,48	1,43
50500	405	7,10	1,23
52600	454	6,60	1,10
54000	483	6,36	1,03
52900	558	5,39	0,895
55000	625	5,01	0,799

P4H 355

Mn ₂ [Nm]	i	Pn ₁ [kW]	n ₂ [rpm]
89900	126	40,7	3,98
90300	141	36,5	3,55
91300	155	33,5	3,22
93700	174	30,6	2,87
91900	204	25,6	2,45
94400	229	23,4	2,18
91300	252	20,7	1,99
92500	278	19,0	1,80
95000	312	17,3	1,60
93000	365	14,5	1,37
96600	410	13,4	1,22
94500	453	11,9	1,10
97100	500	11,0	1,000
101000	562	10,3	0,889
92900	627	8,44	0,798

B2H 180

Mn ₂ [Nm]	i	Pn ₁ [kW]	n ₂ [rpm]
5940	5,27	217	332
6930	6,16	217	284
7710	6,85	217	255
8470	7,53	217	232
9780	8,70	217	201
9680	9,67	193	181
7930	11,3	135	155
8820	12,6	135	139
9470	13,8	133	127
8520	15,5	106	113
7570	17,3	84,5	101
7200	19,6	70,9	89,3
7880	21,5	70,8	81,5
8770	24,1	70,1	72,6

B2H 200

Mn ₂ [Nm]	i	Pn ₁ [kW]	n ₂ [rpm]
8600	5,44	305	322
9750	6,16	305	284
10600	6,68	305	262
11900	7,50	305	233
12700	8,63	285	203
12700	9,67	252	181
11900	10,8	213	162
12100	12,6	185	139
12000	14,0	165	125
11600	15,5	145	113
9640	17,3	108	101
9890	19,9	96,0	88,1
10900	21,9	96,0	79,8
10100	24,5	79,4	71,4

B2H 225

Mn ₂ [Nm]	i	Pn ₁ [kW]	n ₂ [rpm]
11600	5,41	412	324
13300	6,11	419	287
14700	6,71	422	261
16000	7,70	400	227
17100	8,61	382	203
16700	9,51	338	184
15500	11,1	270	158
15100	12,4	235	142
15700	14,4	211	121
15200	16,0	183	109
14200	17,7	155	98,8
14200	20,4	134	85,7
15000	22,7	127	77,2
14800	25,1	114	69,7

B2H 250

Mn ₂ [Nm]	i	Pn ₁ [kW]	n ₂ [rpm]
17800	5,44	632	322
20000	6,04	638	290
22800	6,82	645	256
24200	7,89	592	222
23600	8,70	524	201
23000	9,49	467	184
21800	11,3	371	155
23600	12,3	369	142
22200	13,7	313	128
22000	15,4	274	113
19600	17,5	216	100
21100	19,4	209	90,2
21600	21,9	190	80,0
18800	24,3	149	72,0

B2H 280

Mn ₂ [Nm]	i	Pn ₁ [kW]	n ₂ [rpm]
21900	5,41	781	324
24800	5,98	798	292
25700	6,74	736	260
26200	7,50	673	233
26700	8,67	593	202
27200	9,49	552	184
27600	11,0	486	160
28100	12,3	439	142
28600	14,3	387	123
29500	16,0	357	110
28600	17,3	319	101
25500	20,2	244	86,6
28400	22,6	243	77,4
30500	24,5	240	71,4

B2H 355

Mn ₂ [Nm]	i	Pn ₁ [kW]	n ₂ [rpm]
45100	5,52	1570	317
47000	5,98	1520	292
50000	6,85	1410	256
51500	7,55	1310	232
60800	8,61	1360	203
58500	9,49	1190	184
53900	10,7	974	164
53900	12,3	842	142
53900	13,9	749	126
53400	15,5	665	113
55900	17,4	618	100
51500	19,7	504	88,9
55900	21,9	491	79,8
58800	24,7	459	70,8

B3H 180

Mn ₂ [Nm]	i	Pn ₁ [kW]	n ₂ [rpm]
9380	29,1	62,8	60,1
9350	32,7	55,7	53,5
10200	36,3	54,7	48,2
10800	40,4	52,2	43,3
10200	44,3	44,8	39,5
9880	49,7	38,8	35,2
10300	57,6	34,9	30,4
10200	64,6	30,9	27,1
9820	71,6	26,8	24,5
10800	78,4	26,7	22,3
9820	88,1	21,7	19,9
9520	98,4	18,9	17,8
9700	113	16,8	15,5
11300	122	18,0	14,3

B3H 200

Mn ₂ [Nm]	i	Pn ₁ [kW]	n ₂ [rpm]
12900	27,2	92,6	64,3
14100	30,1	91,5	58,2
13700	33,5	79,5	52,2
14200	38,0	72,8	46,0
14100	42,4	64,8	41,3
14300	49,4	56,3	35,4
14600	55,2	51,5	31,7
14400	65,0	43,1	26,9
15100	72,4	40,6	24,2
13500	79,9	33,0	21,9
11600	90,4	25,0	19,4
13000	101	25,0	17,3
14400	113	24,9	15,5
13700	125	21,4	14,0

B3H 225

Mn ₂ [Nm]	i	Pn ₁ [kW]	n ₂ [rpm]
17600	27,7	124	63,2
18100	31,5	112	55,6
18100	35,0	101	50,0
18700	40,9	88,9	42,7
18900	45,2	81,6	38,8
19000	50,5	73,2	34,6
19400	55,4	68,3	31,6
19800	63,8	60,3	27,4
20100	72,0	54,3	24,3
20100	80,0	49,1	21,9
20700	91,6	44,1	19,1
20800	102	39,9	17,2
21300	112	36,9	15,6
19600	125	30,6	14,0

B3H 250

Mn ₂ [Nm]	i	Pn ₁ [kW]	n ₂ [rpm]
27800	27,5	197	63,7
26000	30,5	166	57,4
26500	35,7	144	49,0
27400	38,7	138	45,2
27600	42,9	125	40,8
28100	50,3	109	34,8
28400	55,8	99,1	31,3
28200	62,9	87,6	27,8
28500	69,7	79,7	25,1
28400	79,1	69,9	22,1
28600	89,1	62,6	19,6
28500	98,8	56,2	17,7
28800	111	50,4	15,7
24500	124	38,6	14,1

B3H 280

Mn ₂ [Nm]	i	Pn ₁ [kW]	n ₂ [rpm]
33100	28,1	230	62,3
34300	31,1	215	56,3
34000	34,8	190	50,3
37700	40,4	182	43,3
37700	45,3	162	38,7
40900	48,6	164	36,0
40100	56,1	139	31,2
42100	62,9	130	27,8
41300	72,6	111	24,1
37400	81,4	89,6	21,5
42100	89,1	92,2	19,6
43100	103	81,6	17,0
39400	115	66,6	15,2
38800	125	60,6	14,0

B3H 355

Mn ₂ [Nm]	i	Pn ₁ [kW]	n ₂ [rpm]
67100	26,9	486	65,1
70600	30,2	455	57,9
71500	35,0	399	50,0
78400	39,3	389	44,5
78400	44,0	347	39,7
78400	48,6	315	36,0
78400	54,6	280	32,1
78400	63,8	240	27,4
78400	71,7	213	24,4
78400	79,9	191	21,9
78400	90,4	169	19,4
78400	102	150	17,2
78400	113	135	15,4
76500	128	117	13,7

B4H 180

Mn ₂ [Nm]	i	Pn ₁ [kW]	n ₂ [rpm]
12400	123	20,0	14,2
11800	135	17,4	12,9
13000	161	16,1	10,9
12600	176	14,2	9,94
10600	197	10,7	8,88
10800	227	9,48	7,70
12000	253	9,43	6,93
12700	277	9,14	6,32
11100	317	6,96	5,53
11200	347	6,43	5,05
12300	380	6,42	4,60
12500	432	5,78	4,05
10800	487	4,40	3,60
11900	541	4,39	3,24
13000	593	4,38	2,95

B4H 200

Mn ₂ [Nm]	i	Pn ₁ [kW]	n ₂ [rpm]
16100	128	25,0	13,7
14900	143	20,7	12,2
16800	160	20,9	10,9
14900	181	16,4	9,65
16900	202	16,6	8,65
16900	221	15,2	7,91
15100	251	12,0	6,98
17000	280	12,1	6,26
16300	315	10,3	5,55
16400	349	9,35	5,01
15300	391	7,79	4,48
17500	436	7,98	4,01
14900	481	6,16	3,64
18200	573	6,33	3,06
15600	632	4,92	2,77

B4H 225

Mn ₂ [Nm]	i	Pn ₁ [kW]	n ₂ [rpm]
24500	125	38,9	13,9
23800	146	32,4	12,0
24100	161	29,8	10,9
24800	179	27,6	9,80
24800	208	23,8	8,41
25200	230	21,8	7,62
25000	256	19,4	6,83
25800	282	18,3	6,22
25100	314	15,9	5,57
26300	366	14,3	4,78
25100	407	12,3	4,30
22500	444	10,1	3,94
25900	490	10,5	3,57
27800	571	9,71	3,07
26600	634	8,35	2,76

B4H 250

Mn ₂ [Nm]	i	Pn ₁ [kW]	n ₂ [rpm]
29500	123	47,8	14,2
29100	134	43,2	13,0
29700	160	36,9	10,9
29800	183	32,3	9,55
29400	200	29,2	8,75
29600	222	26,6	7,89
29500	250	23,5	7,01
29800	277	21,4	6,32
30000	312	19,2	5,61
29900	360	16,5	4,86
30000	405	14,8	4,32
30700	450	13,6	3,89
31000	506	12,2	3,46
31600	562	11,2	3,12
35100	633	11,0	2,77

B4H 280

Mn ₂ [Nm]	i	Pn ₁ [kW]	n ₂ [rpm]
40500	125	64,8	14,0
44100	144	61,0	12,2
39200	154	50,8	11,4
43600	183	47,4	9,55
40700	198	40,8	8,82
44400	224	39,5	7,81
40900	259	31,5	6,76
41000	275	29,6	6,35
44700	309	28,9	5,67
41200	356	23,0	4,91
41700	403	20,6	4,34
42200	452	18,6	3,87
46300	481	19,2	3,64
44800	556	16,1	3,15
44300	623	14,2	2,81

B4H 355

Mn ₂ [Nm]	i	Pn ₁ [kW]	n ₂ [rpm]
79700	130	122	13,4
79700	147	108	11,9
79700	170	93,6	10,3
79700	181	87,7	9,67
79700	203	78,0	8,60
79700	225	70,4	7,76
79700	253	62,6	6,91
79700	280	56,6	6,24
79700	309	51,3	5,66
79700	348	45,7	5,04
79700	395	40,2	4,43
79700	440	36,0	3,97
79700	482	32,9	3,63
79700	542	29,3	3,23
79700	604	26,3	2,90

B2H 180

Mn ₂ [Nm]	i	Pn ₁ [kW]	n ₂ [rpm]
6070	5,27	178	266
7080	6,16	177	227
7870	6,85	177	204
8650	7,53	177	186
9980	8,70	177	161
9880	9,67	158	145
8100	11,3	111	124
9000	12,6	110	111
9670	13,8	108	102
8700	15,5	86,8	90,5
7730	17,3	69,0	81,0
7350	19,6	57,9	71,4
8050	21,5	57,8	65,2
8950	24,1	57,3	58,0

B2H 200

Mn ₂ [Nm]	i	Pn ₁ [kW]	n ₂ [rpm]
8780	5,44	249	257
9950	6,16	249	227
10800	6,68	249	210
12100	7,50	249	187
13000	8,63	232	162
12900	9,67	206	145
12200	10,8	174	130
12300	12,6	151	111
12300	14,0	135	99,8
11900	15,5	118	90,5
9840	17,3	87,8	81,0
10100	19,9	78,4	70,5
11200	21,9	78,5	63,8
10300	24,5	64,9	57,1

B2H 225

Mn ₂ [Nm]	i	Pn ₁ [kW]	n ₂ [rpm]
11800	5,41	337	259
13600	6,11	342	229
15000	6,71	344	209
16300	7,70	327	182
17400	8,61	312	163
17000	9,51	276	147
15800	11,1	220	126
15400	12,4	192	113
16100	14,4	172	97,2
15500	16,0	149	87,5
14500	17,7	126	79,1
14500	20,4	109	68,6
15300	22,7	104	61,7
15100	25,1	92,9	55,8

B2H 250

Mn ₂ [Nm]	i	Pn ₁ [kW]	n ₂ [rpm]
18200	5,44	516	257
20400	6,04	521	232
23300	6,82	526	205
24700	7,89	483	177
24100	8,70	428	161
23500	9,49	381	147
22200	11,3	303	124
24100	12,3	301	113
22700	13,7	256	102
22400	15,4	224	90,7
20000	17,5	176	80,0
21500	19,4	171	72,1
22000	21,9	155	64,0
19100	24,3	122	57,6

B2H 280

Mn ₂ [Nm]	i	Pn ₁ [kW]	n ₂ [rpm]
23000	5,41	656	259
26000	5,98	670	234
27000	6,74	618	208
27500	7,50	565	187
28000	8,67	498	161
28500	9,49	463	148
29000	11,0	408	128
29500	12,3	369	113
30000	14,3	325	98,2
31000	16,0	299	87,6
30000	17,3	268	80,9
26800	20,2	205	69,3
29900	22,6	204	61,9
32000	24,5	202	57,1

B2H 355

Mn ₂ [Nm]	i	Pn ₁ [kW]	n ₂ [rpm]
46000	5,52	1290	253
48000	5,98	1240	234
51000	6,85	1150	204
52500	7,55	1070	185
62000	8,61	1110	163
59700	9,49	970	147
55000	10,7	795	131
55000	12,3	687	113
55000	13,9	611	101
54500	15,5	543	90,5
57000	17,4	505	80,3
52500	19,7	412	71,2
57000	21,9	401	63,8
60000	24,7	375	56,7

B3H 180

Mn ₂ [Nm]	i	Pn ₁ [kW]	n ₂ [rpm]
9580	29,1	51,3	48,0
9550	32,7	45,5	42,8
10400	36,3	44,6	38,5
11000	40,4	42,6	34,7
10400	44,3	36,6	31,6
10100	49,7	31,7	28,2
10500	57,6	28,5	24,3
10500	64,6	25,2	21,7
10000	71,6	21,9	19,6
11000	78,4	21,8	17,8
10000	88,1	17,8	15,9
9720	98,4	15,4	14,2
9900	113	13,7	12,4
11500	122	14,7	11,4

B3H 200

Mn ₂ [Nm]	i	Pn ₁ [kW]	n ₂ [rpm]
13200	27,2	75,7	51,5
14400	30,1	74,7	46,6
14000	33,5	64,9	41,7
14500	38,0	59,4	36,8
14400	42,4	52,9	33,0
14600	49,4	46,0	28,3
14900	55,2	42,0	25,4
14700	65,0	35,2	21,6
15400	72,4	33,2	19,3
13800	79,9	27,0	17,5
11800	90,4	20,4	15,5
13300	101	20,4	13,8
14700	113	20,3	12,4
14000	125	17,5	11,2

B3H 225

Mn ₂ [Nm]	i	Pn ₁ [kW]	n ₂ [rpm]
18000	27,7	101	50,6
18500	31,5	91,5	44,5
18500	35,0	82,5	40,0
19100	40,9	72,6	34,2
19300	45,2	66,6	31,0
19400	50,5	59,8	27,7
19800	55,4	55,8	25,3
20200	63,8	49,3	21,9
20500	72,0	44,3	19,4
20600	80,0	40,1	17,5
21100	91,6	36,0	15,3
21200	102	32,5	13,8
21700	112	30,1	12,5
20000	125	25,0	11,2

B3H 250

Mn ₂ [Nm]	i	Pn ₁ [kW]	n ₂ [rpm]
28300	27,5	161	50,9
26500	30,5	136	45,9
27000	35,7	118	39,2
28000	38,7	113	36,2
28100	42,9	102	32,6
28700	50,3	88,9	27,8
29000	55,8	80,9	25,1
28800	62,9	71,5	22,3
29100	69,7	65,1	20,1
28900	79,1	57,0	17,7
29200	89,1	51,2	15,7
29100	98,8	45,9	14,2
29400	111	41,1	12,6
25000	124	31,5	11,3

B3H 280

Mn ₂ [Nm]	i	Pn ₁ [kW]	n ₂ [rpm]
33800	28,1	188	49,9
35000	31,1	176	45,1
34700	34,8	155	40,2
38500	40,4	149	34,6
38500	45,3	133	30,9
41700	48,6	134	28,8
40900	56,1	114	25,0
42900	62,9	106	22,3
42100	72,6	90,4	19,3
38200	81,4	73,1	17,2
43000	89,1	75,3	15,7
44000	103	66,7	13,6
40200	115	54,4	12,1
39600	125	49,5	11,2

B3H 355

Mn ₂ [Nm]	i	Pn ₁ [kW]	n ₂ [rpm]
68500	26,9	397	52,0
72000	30,2	371	46,3
73000	35,0	325	40,0
80000	39,3	317	35,6
80000	44,0	283	31,8
80000	48,6	257	28,8
80000	54,6	229	25,6
80000	63,8	196	21,9
80000	71,7	174	19,5
80000	79,9	156	17,5
80000	90,4	138	15,5
80000	102	123	13,8
80000	113	110	12,4
78000	128	95,3	11,0

B4H 180

Mn ₂ [Nm]	i	Pn ₁ [kW]	n ₂ [rpm]
12500	123	16,1	11,3
11900	135	14,0	10,3
13100	161	13,0	8,72
12600	176	11,4	7,95
10600	197	8,61	7,11
10900	227	7,62	6,16
12000	253	7,58	5,54
12800	277	7,35	5,06
11100	317	5,59	4,42
11300	347	5,17	4,04
12300	380	5,16	3,68
12600	432	4,65	3,24
10800	487	3,54	2,88
12000	541	3,53	2,59
13100	593	3,52	2,36

B4H 200

Mn ₂ [Nm]	i	Pn ₁ [kW]	n ₂ [rpm]
16100	128	20,1	10,9
14900	143	16,6	9,76
16900	160	16,8	8,75
15000	181	13,2	7,72
16900	202	13,3	6,92
17000	221	12,2	6,33
15100	251	9,61	5,58
17100	280	9,71	5,01
16400	315	8,27	4,44
16500	349	7,51	4,01
15400	391	6,26	3,58
17600	436	6,42	3,21
15000	481	4,95	2,91
18300	573	5,09	2,44
15700	632	3,95	2,21

B4H 225

Mn ₂ [Nm]	i	Pn ₁ [kW]	n ₂ [rpm]
24600	125	31,3	11,2
23900	146	26,1	9,58
24200	161	23,9	8,68
24900	179	22,2	7,84
24900	208	19,1	6,73
25300	230	17,5	6,10
25100	256	15,6	5,46
25900	282	14,7	4,97
25200	314	12,8	4,46
26400	366	11,5	3,82
25200	407	9,86	3,44
22600	444	8,12	3,16
26000	490	8,47	2,86
27900	571	7,80	2,45
26700	634	6,71	2,21

B4H 250

Mn ₂ [Nm]	i	Pn ₁ [kW]	n ₂ [rpm]
29600	123	38,4	11,4
29300	134	34,7	10,4
29800	160	29,7	8,75
29900	183	26,0	7,64
29500	200	23,5	7,00
29800	222	21,4	6,31
29600	250	18,9	5,61
29900	277	17,2	5,05
30200	312	15,4	4,49
30000	360	13,3	3,89
30200	405	11,9	3,45
30800	450	10,9	3,11
31100	506	9,80	2,76
31700	562	8,99	2,49
35200	633	8,87	2,21

B4H 280

Mn ₂ [Nm]	i	Pn ₁ [kW]	n ₂ [rpm]
40700	125	52,0	11,2
44300	144	49,0	9,72
39300	154	40,8	9,11
43800	183	38,1	7,64
40800	198	32,8	7,06
44600	224	31,7	6,25
41100	259	25,3	5,41
41100	275	23,8	5,08
44900	309	23,2	4,54
41400	356	18,5	3,93
41900	403	16,5	3,47
42400	452	14,9	3,10
46500	481	15,4	2,91
45000	556	12,9	2,52
44500	623	11,4	2,25

B4H 355

Mn ₂ [Nm]	i	Pn ₁ [kW]	n ₂ [rpm]
80000	130	97,8	10,7
80000	147	87,0	9,55
80000	170	75,2	8,26
80000	181	70,4	7,74
80000	203	62,7	6,88
80000	225	56,6	6,21
80000	253	50,3	5,52
80000	280	45,5	4,99
80000	309	41,2	4,53
80000	348	36,7	4,03
80000	395	32,3	3,54
80000	440	28,9	3,18
80000	482	26,4	2,90
80000	542	23,5	2,58
80000	604	21,1	2,32

B2H 180

Mn ₂ [Nm]	i	Pn ₁ [kW]	n ₂ [rpm]
6110	5,27	146	216
7130	6,16	145	185
7930	6,85	145	166
8710	7,53	145	151
10100	8,70	145	131
9950	9,67	129	118
8160	11,3	90,7	101
9070	12,6	90,7	90,7
9740	13,8	88,8	82,7
8760	15,5	71,2	73,7
7790	17,3	56,6	65,9
7400	19,6	47,4	58,2
8110	21,5	47,4	53,1
9020	24,1	47,0	47,3

B2H 200

Mn ₂ [Nm]	i	Pn ₁ [kW]	n ₂ [rpm]
8850	5,44	205	210
10000	6,16	204	185
10900	6,68	204	171
12200	7,50	204	152
13100	8,63	191	132
13000	9,67	169	118
12300	10,8	143	106
12400	12,6	124	90,7
12300	14,0	111	81,3
11900	15,5	97,0	73,7
9910	17,3	72,0	65,9
10200	19,9	64,4	57,4
11200	21,9	64,3	52,0
10400	24,5	53,2	46,5

B2H 225

Mn ₂ [Nm]	i	Pn ₁ [kW]	n ₂ [rpm]
11900	5,41	276	211
13700	6,11	281	187
15100	6,71	282	170
16400	7,70	268	148
17500	8,61	256	132
17200	9,51	227	120
15900	11,1	181	103
15500	12,4	158	92,2
16200	14,4	141	79,1
15600	16,0	123	71,3
14600	17,7	104	64,4
14600	20,4	89,8	55,8
15400	22,7	85,4	50,3
15200	25,1	76,3	45,4

B2H 250

Mn ₂ [Nm]	i	Pn ₁ [kW]	n ₂ [rpm]
18300	5,44	423	210
20600	6,04	428	189
23500	6,82	432	167
24900	7,89	397	144
24300	8,70	351	131
23600	9,49	313	120
22400	11,3	248	101
24300	12,3	247	92,3
22900	13,7	210	83,2
22600	15,4	184	73,9
20200	17,5	145	65,1
21700	19,4	140	58,7
22200	21,9	127	52,1
19300	24,3	99,7	46,9

B2H 280

Mn ₂ [Nm]	i	Pn ₁ [kW]	n ₂ [rpm]
23600	5,41	547	211
26600	5,98	559	191
27600	6,74	515	169
28200	7,50	472	152
28700	8,67	415	131
29200	9,49	386	120
29700	11,0	340	104
30200	12,3	307	92,3
30700	14,3	271	79,9
31700	16,0	250	71,4
30700	17,3	223	65,9
27400	20,2	171	56,4
30600	22,6	170	50,4
32800	24,5	168	46,5

B2H 355

Mn ₂ [Nm]	i	Pn ₁ [kW]	n ₂ [rpm]
46400	5,52	1050	206
48400	5,98	1020	191
51400	6,85	943	166
52900	7,55	881	151
62500	8,61	912	132
60200	9,49	796	120
55400	10,7	653	107
55400	12,3	564	92,3
55400	13,9	502	82,1
54900	15,5	446	73,7
57500	17,4	414	65,4
52900	19,7	338	57,9
57500	21,9	329	52,0
60500	24,7	308	46,1

B3H 180

Mn ₂ [Nm]	i	Pn ₁ [kW]	n ₂ [rpm]
9670	29,1	42,1	39,1
9640	32,7	37,4	34,8
10500	36,3	36,7	31,4
11100	40,4	35,0	28,2
10500	44,3	30,1	25,8
10200	49,7	26,0	22,9
10600	57,6	23,4	19,8
10600	64,6	20,7	17,6
10100	71,6	18,0	15,9
11100	78,4	17,9	14,5
10100	88,1	14,6	12,9
9810	98,4	12,7	11,6
9990	113	11,3	10,1
11600	122	12,1	9,32

B3H 200

Mn ₂ [Nm]	i	Pn ₁ [kW]	n ₂ [rpm]
13300	27,2	62,2	41,9
14600	30,1	61,4	37,9
14100	33,5	53,3	34,0
14600	38,0	48,9	30,0
14500	42,4	43,5	26,9
14700	49,4	37,8	23,1
15000	55,2	34,6	20,7
14800	65,0	29,0	17,6
15600	72,4	27,3	15,7
14000	79,9	22,2	14,3
12000	90,4	16,8	12,6
13400	101	16,8	11,3
14800	113	16,7	10,1
14100	125	14,4	9,15

B3H 225

Mn ₂ [Nm]	i	Pn ₁ [kW]	n ₂ [rpm]
18200	27,7	83,3	41,2
18600	31,5	75,2	36,2
18700	35,0	67,8	32,6
19300	40,9	59,7	27,8
19500	45,2	54,8	25,2
19600	50,5	49,1	22,6
20000	55,4	45,8	20,6
20400	63,8	40,5	17,9
20700	72,0	36,5	15,8
20800	80,0	33,0	14,3
21300	91,6	29,6	12,5
21400	102	26,8	11,2
21900	112	24,8	10,2
20200	125	20,6	9,14

B3H 250

Mn ₂ [Nm]	i	Pn ₁ [kW]	n ₂ [rpm]
28600	27,5	132	41,5
26800	30,5	111	37,4
27300	35,7	96,9	31,9
28300	38,7	92,8	29,5
28400	42,9	84,1	26,6
29000	50,3	73,1	22,6
29200	55,8	66,5	20,4
29100	62,9	58,8	18,1
29400	69,7	53,5	16,4
29200	79,1	46,9	14,4
29500	89,1	42,1	12,8
29400	98,8	37,7	11,5
29600	111	33,8	10,2
25300	124	25,9	9,22

B3H 280

Mn ₂ [Nm]	i	Pn ₁ [kW]	n ₂ [rpm]
34100	28,1	154	40,6
35400	31,1	144	36,7
35100	34,8	128	32,7
38900	40,4	122	28,2
38900	45,3	109	25,2
42100	48,6	110	23,5
41300	56,1	93,5	20,3
43300	62,9	87,5	18,1
42500	72,6	74,4	15,7
38500	81,4	60,1	14,0
43400	89,1	61,9	12,8
44500	103	54,8	11,1
40600	115	44,7	9,89
40000	125	40,7	9,14

B3H 355

Mn ₂ [Nm]	i	Pn ₁ [kW]	n ₂ [rpm]
69200	26,9	327	42,4
72700	30,2	305	37,7
73700	35,0	268	32,6
80800	39,3	261	29,0
80800	44,0	233	25,9
80800	48,6	211	23,5
80800	54,6	188	20,9
80800	63,8	161	17,9
80800	71,7	143	15,9
80800	79,9	128	14,3
80800	90,4	113	12,6
80800	102	101	11,2
80800	113	90,6	10,1
78800	128	78,4	8,93

B4H 180

Mn ₂ [Nm]	i	Pn ₁ [kW]	n ₂ [rpm]
12500	123	13,1	9,23
11900	135	11,4	8,42
13100	161	10,6	7,10
12700	176	9,35	6,48
10700	197	7,03	5,79
10900	227	6,23	5,02
12100	253	6,20	4,51
12800	277	6,01	4,12
11200	317	4,57	3,60
11300	347	4,23	3,29
12400	380	4,22	3,00
12600	432	3,80	2,64
10900	487	2,89	2,34
12000	541	2,89	2,11
13200	593	2,88	1,92

B4H 200

Mn ₂ [Nm]	i	Pn ₁ [kW]	n ₂ [rpm]
16200	128	16,4	8,90
15000	143	13,6	7,95
16900	160	13,7	7,13
15100	181	10,8	6,29
17000	202	10,9	5,64
17000	221	9,99	5,15
15200	251	7,85	4,55
17100	280	7,94	4,08
16400	315	6,77	3,62
16500	349	6,14	3,27
15400	391	5,12	2,92
17600	436	5,25	2,61
15000	481	4,05	2,37
18400	573	4,16	1,99
15700	632	3,23	1,80

B4H 225

Mn ₂ [Nm]	i	Pn ₁ [kW]	n ₂ [rpm]
24700	125	25,6	9,09
24000	146	21,3	7,80
24300	161	19,6	7,07
25000	179	18,1	6,38
25000	208	15,6	5,48
25400	230	14,4	4,97
25200	256	12,7	4,45
26000	282	12,0	4,05
25300	314	10,4	3,63
26500	366	9,41	3,11
25300	407	8,06	2,80
22700	444	6,64	2,57
26100	490	6,92	2,33
28100	571	6,38	2,00
26800	634	5,49	1,80

B4H 250

Mn ₂ [Nm]	i	Pn ₁ [kW]	n ₂ [rpm]
29800	123	31,4	9,26
29400	134	28,4	8,49
29900	160	24,3	7,12
30000	183	21,2	6,22
29600	200	19,2	5,70
29900	222	17,5	5,14
29700	250	15,4	4,57
30000	277	14,1	4,12
30300	312	12,6	3,66
30200	360	10,9	3,16
30300	405	9,69	2,81
30900	450	8,92	2,53
31300	506	8,02	2,25
31800	562	7,35	2,03
35400	633	7,25	1,80

B4H 280

Mn ₂ [Nm]	i	Pn ₁ [kW]	n ₂ [rpm]
40900	125	42,6	9,15
44500	144	40,1	7,92
39500	154	33,3	7,42
44000	183	31,1	6,22
41000	198	26,8	5,75
44800	224	25,9	5,09
41200	259	20,7	4,41
41300	275	19,5	4,14
45100	309	19,0	3,69
41500	356	15,1	3,20
42100	403	13,5	2,83
42600	452	12,2	2,52
46700	481	12,6	2,37
45200	556	10,6	2,05
44700	623	9,32	1,83

B4H 355

Mn ₂ [Nm]	i	Pn ₁ [kW]	n ₂ [rpm]
80400	130	80,0	8,74
80400	147	71,1	7,78
80400	170	61,5	6,72
80400	181	57,6	6,30
80400	203	51,2	5,60
80400	225	46,3	5,06
80400	253	41,1	4,50
80400	280	37,2	4,07
80400	309	33,7	3,69
80400	348	30,0	3,28
80400	395	26,4	2,89
80400	440	23,7	2,59
80400	482	21,6	2,37
80400	542	19,2	2,10
80400	604	17,3	1,89

B2H 180

Mn ₂ [Nm]	i	Pn ₁ [kW]	n ₂ [rpm]
6140	5,27	116	171
7170	6,16	115	146
7970	6,85	115	131
8760	7,53	115	120
10100	8,70	115	103
10000	9,67	103	93,1
8200	11,3	71,9	79,6
9110	12,6	71,9	71,6
9790	13,8	70,5	65,3
8810	15,5	56,5	58,2
7830	17,3	44,9	52,1
7440	19,6	37,7	45,9
8150	21,5	37,6	41,9
9060	24,1	37,3	37,3

B2H 200

Mn ₂ [Nm]	i	Pn ₁ [kW]	n ₂ [rpm]
8890	5,44	162	166
10100	6,16	162	146
10900	6,68	162	135
12300	7,50	162	120
13200	8,63	151	104
13100	9,67	134	93,1
12300	10,8	113	83,5
12500	12,6	98,2	71,6
12400	14,0	87,7	64,2
12000	15,5	76,9	58,2
9960	17,3	57,1	52,1
10200	19,9	51,1	45,3
11300	21,9	51,1	41,0
10400	24,5	42,2	36,7

B2H 225

Mn ₂ [Nm]	i	Pn ₁ [kW]	n ₂ [rpm]
12000	5,41	219	166
13700	6,11	223	147
15200	6,71	224	134
16500	7,70	213	117
17600	8,61	203	105
17300	9,51	180	94,7
16000	11,1	143	81,3
15600	12,4	125	72,8
16300	14,4	112	62,5
15700	16,0	97,3	56,3
14700	17,7	82,2	50,8
14700	20,4	71,2	44,1
15500	22,7	67,8	39,7
15300	25,1	60,5	35,8

B2H 250

Mn ₂ [Nm]	i	Pn ₁ [kW]	n ₂ [rpm]
18400	5,44	336	166
20700	6,04	339	149
23600	6,82	343	132
25100	7,89	315	114
24400	8,70	279	103
23800	9,49	248	94,8
22500	11,3	197	79,5
24400	12,3	196	72,9
23000	13,7	166	65,7
22700	15,4	146	58,3
20300	17,5	115	51,4
21800	19,4	111	46,4
22300	21,9	101	41,2
19400	24,3	79,1	37,0

B2H 280

Mn ₂ [Nm]	i	Pn ₁ [kW]	n ₂ [rpm]
24000	5,41	440	166
27100	5,98	450	150
28200	6,74	415	134
28700	7,50	380	120
29200	8,67	334	104
29800	9,49	311	94,8
30300	11,0	274	82,1
30800	12,3	247	72,9
31300	14,3	218	63,1
32400	16,0	201	56,3
31300	17,3	180	52,0
28000	20,2	137	44,6
31200	22,6	137	39,8
33400	24,5	135	36,7

B2H 355

Mn ₂ [Nm]	i	Pn ₁ [kW]	n ₂ [rpm]
46600	5,52	837	163
48600	5,98	806	150
51700	6,85	748	131
53200	7,55	699	119
62800	8,61	724	105
60500	9,49	632	94,8
55700	10,7	518	84,3
55700	12,3	448	72,9
55700	13,9	398	64,8
55200	15,5	354	58,2
57700	17,4	329	51,6
53200	19,7	268	45,7
57700	21,9	261	41,0
60800	24,7	244	36,4

B3H 180

Mn ₂ [Nm]	i	Pn ₁ [kW]	n ₂ [rpm]
9810	29,1	33,8	30,9
9780	32,7	30,0	27,5
10700	36,3	29,4	24,8
11300	40,4	28,1	22,3
10600	44,3	24,1	20,3
10300	49,7	20,9	18,1
10800	57,6	18,7	15,6
10700	64,6	16,6	13,9
10300	71,6	14,4	12,6
11300	78,4	14,4	11,5
10300	88,1	11,7	10,2
9960	98,4	10,1	9,15
10100	113	9,03	8,00
11800	122	9,66	7,36

B3H 200

Mn ₂ [Nm]	i	Pn ₁ [kW]	n ₂ [rpm]
13500	27,2	49,9	33,1
14800	30,1	49,2	29,9
14300	33,5	42,7	26,8
14900	38,0	39,2	23,7
14700	42,4	34,8	21,2
14900	49,4	30,3	18,2
15200	55,2	27,7	16,3
15000	65,0	23,2	13,9
15800	72,4	21,9	12,4
14200	79,9	17,8	11,3
12100	90,4	13,4	9,95
13600	101	13,4	8,89
15100	113	13,4	7,97
14300	125	11,5	7,22

B3H 225

Mn ₂ [Nm]	i	Pn ₁ [kW]	n ₂ [rpm]
18400	27,7	66,7	32,5
18900	31,5	60,3	28,6
19000	35,0	54,4	25,7
19500	40,9	47,8	22,0
19800	45,2	43,9	19,9
19800	50,5	39,4	17,8
20300	55,4	36,7	16,3
20700	63,8	32,5	14,1
21000	72,0	29,2	12,5
21100	80,0	26,4	11,3
21700	91,6	23,7	9,83
21800	102	21,4	8,85
22200	112	19,9	8,01
20500	125	16,5	7,22

B3H 250

Mn ₂ [Nm]	i	Pn ₁ [kW]	n ₂ [rpm]
29000	27,5	106	32,7
27200	30,5	89,3	29,5
27700	35,7	77,6	25,2
28700	38,7	74,3	23,3
28800	42,9	67,4	21,0
29400	50,3	58,6	17,9
29700	55,8	53,3	16,1
29500	62,9	47,1	14,3
29800	69,7	42,9	12,9
29700	79,1	37,6	11,4
30000	89,1	33,7	10,1
29800	98,8	30,2	9,11
30100	111	27,1	8,08
25600	124	20,7	7,28

B3H 280

Mn ₂ [Nm]	i	Pn ₁ [kW]	n ₂ [rpm]
34600	28,1	124	32,1
35900	31,1	116	29,0
35600	34,8	102	25,9
39500	40,4	97,9	22,3
39400	45,3	87,4	19,9
42700	48,6	88,2	18,5
41900	56,1	74,9	16,0
44000	62,9	70,1	14,3
43200	72,6	59,6	12,4
39100	81,4	48,2	11,1
44100	89,1	49,6	10,1
45100	103	43,9	8,74
41200	115	35,8	7,81
40600	125	32,6	7,22

B3H 355

Mn ₂ [Nm]	i	Pn ₁ [kW]	n ₂ [rpm]
70200	26,9	262	33,5
73800	30,2	245	29,8
74800	35,0	214	25,7
82000	39,3	209	22,9
82000	44,0	187	20,4
82000	48,6	169	18,5
82000	54,6	151	16,5
82000	63,8	129	14,1
82000	71,7	115	12,5
82000	79,9	103	11,3
82000	90,4	90,9	9,95
82000	102	80,9	8,85
82000	113	72,6	7,94
80000	128	62,8	7,05

B4H 180

Mn ₂ [Nm]	i	Pn ₁ [kW]	n ₂ [rpm]
12600	123	10,4	7,29
12000	135	9,07	6,65
13200	161	8,41	5,60
12800	176	7,42	5,11
10700	197	5,58	4,57
11000	227	4,94	3,96
12100	253	4,91	3,56
12900	277	4,77	3,25
11200	317	3,62	2,84
11400	347	3,35	2,60
12400	380	3,35	2,37
12700	432	3,01	2,09
10900	487	2,29	1,85
12100	541	2,29	1,66
13200	593	2,28	1,52

B4H 200

Mn ₂ [Nm]	i	Pn ₁ [kW]	n ₂ [rpm]
16300	128	13,0	7,03
15100	143	10,8	6,28
17000	160	10,9	5,63
15100	181	8,55	4,96
17100	202	8,65	4,45
17100	221	7,93	4,07
15300	251	6,23	3,59
17200	280	6,30	3,22
16500	315	5,36	2,85
16600	349	4,87	2,58
15500	391	4,06	2,30
17700	436	4,16	2,06
15100	481	3,21	1,87
18400	573	3,30	1,57
15800	632	2,56	1,42

B4H 225

Mn ₂ [Nm]	i	Pn ₁ [kW]	n ₂ [rpm]
24800	125	20,3	7,17
24100	146	16,9	6,16
24400	161	15,5	5,58
25100	179	14,4	5,04
25200	208	12,4	4,32
25500	230	11,4	3,92
25300	256	10,1	3,51
26200	282	9,51	3,20
25400	314	8,27	2,86
26700	366	7,46	2,46
25400	407	6,39	2,21
22800	444	5,27	2,03
26300	490	5,49	1,84
28200	571	5,06	1,58
26900	634	4,35	1,42

B4H 250

Mn ₂ [Nm]	i	Pn ₁ [kW]	n ₂ [rpm]
29900	123	24,9	7,31
29500	134	22,5	6,70
30100	160	19,2	5,62
30100	183	16,8	4,91
29700	200	15,2	4,50
30000	222	13,9	4,06
29900	250	12,2	3,60
30100	277	11,1	3,25
30400	312	10,0	2,89
30300	360	8,62	2,50
30400	405	7,69	2,22
31100	450	7,07	2,00
31400	506	6,36	1,78
32000	562	5,83	1,60
35500	633	5,75	1,42

B4H 280

Mn ₂ [Nm]	i	Pn ₁ [kW]	n ₂ [rpm]
41100	125	33,7	7,22
44700	144	31,8	6,25
39700	154	26,4	5,86
44200	183	24,7	4,91
41200	198	21,3	4,54
45000	224	20,6	4,02
41400	259	16,4	3,48
41500	275	15,4	3,27
45300	309	15,0	2,92
41700	356	12,0	2,52
42200	403	10,7	2,23
42700	452	9,69	1,99
46900	481	9,99	1,87
45400	556	8,37	1,62
44900	623	7,39	1,45

B4H 355

Mn ₂ [Nm]	i	Pn ₁ [kW]	n ₂ [rpm]
80700	130	63,4	6,90
80700	147	56,4	6,14
80700	170	48,8	5,31
80700	181	45,7	4,97
80700	203	40,6	4,42
80700	225	36,7	3,99
80700	253	32,6	3,55
80700	280	29,5	3,21
80700	309	26,7	2,91
80700	348	23,8	2,59
80700	395	20,9	2,28
80700	440	18,8	2,04
80700	482	17,2	1,87
80700	542	15,3	1,66
80700	604	13,7	1,49

B2H 180

Mn ₂ [Nm]	i	Pn ₁ [kW]	n ₂ [rpm]
6190	5,27	90,6	133
7220	6,16	90,4	114
8030	6,85	90,4	102
8830	7,53	90,5	93,0
10200	8,70	90,3	80,5
10100	9,67	80,4	72,4
8270	11,3	56,4	61,9
9180	12,6	56,3	55,7
9870	13,8	55,3	50,8
8880	15,5	44,3	45,2
7890	17,3	35,2	40,5
7500	19,6	29,5	35,7
8210	21,5	29,5	32,6
9130	24,1	29,2	29,0

B2H 200

Mn ₂ [Nm]	i	Pn ₁ [kW]	n ₂ [rpm]
8960	5,44	127	129
10200	6,16	127	114
11000	6,68	127	105
12400	7,50	127	93,3
13300	8,63	119	81,1
13200	9,67	105	72,4
12400	10,8	88,9	64,9
12600	12,6	77,0	55,7
12500	14,0	68,8	49,9
12100	15,5	60,3	45,2
10000	17,3	44,8	40,5
10300	19,9	40,0	35,2
11400	21,9	40,0	31,9
10500	24,5	33,1	28,6

B2H 225

Mn ₂ [Nm]	i	Pn ₁ [kW]	n ₂ [rpm]
12000	5,41	172	129
13800	6,11	175	115
15300	6,71	176	104
16600	7,70	167	90,9
17800	8,61	159	81,3
17400	9,51	141	73,6
16100	11,1	112	63,2
15700	12,4	98,1	56,6
16400	14,4	87,8	48,6
15800	16,0	76,2	43,8
14800	17,7	64,4	39,5
14800	20,4	55,8	34,3
15600	22,7	53,1	30,9
15400	25,1	47,4	27,9

B2H 250

Mn ₂ [Nm]	i	Pn ₁ [kW]	n ₂ [rpm]
18600	5,44	263	129
20800	6,04	266	116
23800	6,82	269	103
25200	7,89	247	88,7
24600	8,70	218	80,5
23900	9,49	195	73,7
22700	11,3	155	61,9
24600	12,3	154	56,7
23200	13,7	130	51,1
22900	15,4	114	45,4
20400	17,5	90,0	40,0
22000	19,4	87,3	36,1
22500	21,9	79,2	32,0
19500	24,3	62,0	28,8

B2H 280

Mn ₂ [Nm]	i	Pn ₁ [kW]	n ₂ [rpm]
24700	5,41	353	129
28000	5,98	360	117
29000	6,74	332	104
29600	7,50	304	93,3
30100	8,67	268	80,7
30600	9,49	249	73,8
31200	11,0	219	63,8
31700	12,3	198	56,7
32300	14,3	174	49,1
33300	16,0	161	43,8
32300	17,3	144	40,5
28800	20,2	110	34,7
32100	22,6	110	31,0
34400	24,5	108	28,6

B2H 355

Mn ₂ [Nm]	i	Pn ₁ [kW]	n ₂ [rpm]
47000	5,52	656	127
49000	5,98	632	117
52100	6,85	587	102
53600	7,55	548	92,7
63300	8,61	567	81,3
61000	9,49	495	73,7
56200	10,7	406	65,6
56200	12,3	351	56,7
56200	13,9	312	50,4
55600	15,5	277	45,2
58200	17,4	258	40,2
53600	19,7	210	35,6
58200	21,9	205	31,9
61300	24,7	191	28,3

B3H 180

Mn ₂ [Nm]	i	Pn ₁ [kW]	n ₂ [rpm]
9910	29,1	26,5	24,0
9880	32,7	23,5	21,4
10800	36,3	23,1	19,3
11400	40,4	22,0	17,3
10800	44,3	18,9	15,8
10400	49,7	16,4	14,1
10900	57,6	14,7	12,2
10800	64,6	13,0	10,8
10400	71,6	11,3	9,78
11400	78,4	11,3	8,92
10400	88,1	9,19	7,95
10100	98,4	7,97	7,11
10200	113	7,09	6,22
11900	122	7,59	5,72

B3H 200

Mn ₂ [Nm]	i	Pn ₁ [kW]	n ₂ [rpm]
13700	27,2	39,1	25,7
14900	30,1	38,7	23,3
14400	33,5	33,6	20,9
15000	38,0	30,7	18,4
14900	42,4	27,4	16,5
15100	49,4	23,8	14,2
15400	55,2	21,8	12,7
15200	65,0	18,2	10,8
15900	72,4	17,2	9,66
14300	79,9	13,9	8,76
12300	90,4	10,6	7,74
13700	101	10,6	6,91
15200	113	10,5	6,20
14400	125	9,03	5,62

B3H 225

Mn ₂ [Nm]	i	Pn ₁ [kW]	n ₂ [rpm]
18600	27,7	52,4	25,3
19100	31,5	47,3	22,2
19100	35,0	42,7	20,0
19700	40,9	37,6	17,1
20000	45,2	34,5	15,5
20000	50,5	30,9	13,9
20500	55,4	28,8	12,6
20900	63,8	25,5	11,0
21200	72,0	22,9	9,72
21300	80,0	20,7	8,75
21900	91,6	18,6	7,65
22000	102	16,8	6,88
22500	112	15,6	6,23
20700	125	13,0	5,61

B3H 250

Mn ₂ [Nm]	i	Pn ₁ [kW]	n ₂ [rpm]
29300	27,5	83,2	25,5
27400	30,5	70,1	23,0
27900	35,7	61,0	19,6
29000	38,7	58,4	18,1
29100	42,9	52,9	16,3
29700	50,3	46,0	13,9
30000	55,8	41,9	12,5
29800	62,9	37,0	11,1
30100	69,7	33,7	10,0
30000	79,1	29,5	8,85
30200	89,1	26,5	7,86
30100	98,8	23,7	7,08
30400	111	21,3	6,29
25900	124	16,3	5,66

B3H 280

Mn ₂ [Nm]	i	Pn ₁ [kW]	n ₂ [rpm]
35000	28,1	97,1	24,9
36200	31,1	90,8	22,5
35900	34,8	80,4	20,1
39800	40,4	76,9	17,3
39800	45,3	68,6	15,5
43200	48,6	69,3	14,4
42300	56,1	58,8	12,5
44400	62,9	55,1	11,1
43600	72,6	46,8	9,64
39500	81,4	37,8	8,60
44500	89,1	39,0	7,86
45600	103	34,5	6,80
41600	115	28,1	6,07
41000	125	25,6	5,61

B3H 355

Mn ₂ [Nm]	i	Pn ₁ [kW]	n ₂ [rpm]
70900	26,9	205	26,0
74500	30,2	192	23,1
75600	35,0	168	20,0
82800	39,3	164	17,8
82800	44,0	147	15,9
82800	48,6	133	14,4
82800	54,6	118	12,8
82800	63,8	101	11,0
82800	71,7	90,0	9,76
82800	79,9	80,8	8,76
82800	90,4	71,4	7,74
82800	102	63,5	6,89
82800	113	57,0	6,18
80800	128	49,3	5,48

B4H 180

Mn ₂ [Nm]	i	Pn ₁ [kW]	n ₂ [rpm]
13100	123	8,44	5,67
12500	135	7,35	5,17
13700	161	6,81	4,36
13300	176	6,01	3,98
11200	197	4,52	3,55
11400	227	4,00	3,08
12600	253	3,98	2,77
13400	277	3,86	2,53
11700	317	2,93	2,21
11800	347	2,71	2,02
12900	380	2,71	1,84
13200	432	2,44	1,62
11400	487	1,86	1,44
12600	541	1,85	1,29
13800	593	1,85	1,18

B4H 200

Mn ₂ [Nm]	i	Pn ₁ [kW]	n ₂ [rpm]
16900	128	10,5	5,47
15700	143	8,71	4,88
17700	160	8,81	4,38
15800	181	6,93	3,86
17800	202	7,00	3,46
17800	221	6,41	3,16
15900	251	5,04	2,79
17900	280	5,10	2,50
17200	315	4,34	2,22
17300	349	3,94	2,01
16100	391	3,28	1,79
18400	436	3,37	1,61
15700	481	2,60	1,45
19200	573	2,67	1,22
16500	632	2,07	1,11

B4H 225

Mn ₂ [Nm]	i	Pn ₁ [kW]	n ₂ [rpm]
25800	125	16,4	5,58
25100	146	13,7	4,79
25400	161	12,6	4,34
26100	179	11,6	3,92
26200	208	10,0	3,36
26500	230	9,21	3,05
26300	256	8,18	2,73
27200	282	7,70	2,49
26400	314	6,70	2,23
27800	366	6,04	1,91
26400	407	5,17	1,72
23700	444	4,26	1,58
27300	490	4,44	1,43
29300	571	4,09	1,23
28000	634	3,52	1,10

B4H 250

Mn ₂ [Nm]	i	Pn ₁ [kW]	n ₂ [rpm]
31100	123	20,1	5,69
30700	134	18,2	5,21
31300	160	15,6	4,37
31400	183	13,6	3,82
31000	200	12,3	3,50
31200	222	11,2	3,16
31100	250	9,92	2,80
31400	277	9,02	2,53
31700	312	8,10	2,25
31500	360	6,97	1,94
31700	405	6,22	1,73
32300	450	5,72	1,56
32700	506	5,14	1,38
33300	562	4,72	1,25
37000	633	4,66	1,11

B4H 280

Mn ₂ [Nm]	i	Pn ₁ [kW]	n ₂ [rpm]
42700	125	27,3	5,62
46500	144	25,7	4,86
41300	154	21,4	4,55
46000	183	20,0	3,82
42900	198	17,2	3,53
46800	224	16,7	3,13
43100	259	13,3	2,71
43200	275	12,5	2,54
47100	309	12,2	2,27
43400	356	9,70	1,96
44000	403	8,68	1,74
44500	452	7,84	1,55
48800	481	8,09	1,46
47300	556	6,77	1,26
46700	623	5,98	1,12

B4H 355

Mn ₂ [Nm]	i	Pn ₁ [kW]	n ₂ [rpm]
84000	130	51,3	5,37
84000	147	45,7	4,78
84000	170	39,5	4,13
84000	181	37,0	3,87
84000	203	32,9	3,44
84000	225	29,7	3,11
84000	253	26,4	2,76
84000	280	23,9	2,50
84000	309	21,6	2,26
84000	348	19,3	2,01
84000	395	16,9	1,77
84000	440	15,2	1,59
84000	482	13,9	1,45
84000	542	12,4	1,29
84000	604	11,1	1,16

B2H 180

Mn ₂ [Nm]	i	Pn ₁ [kW]	n ₂ [rpm]
6260	5,27	65,5	94,9
7300	6,16	65,3	81,2
8120	6,85	65,3	73,0
8920	7,53	65,3	66,4
10300	8,70	65,2	57,5
10200	9,67	58,1	51,7
8350	11,3	40,7	44,2
9280	12,6	40,7	39,8
9970	13,8	39,9	36,3
8970	15,5	32,0	32,3
7970	17,3	25,4	28,9
7580	19,6	21,3	25,5
8300	21,5	21,3	23,3
9230	24,1	21,1	20,7

B2H 200

Mn ₂ [Nm]	i	Pn ₁ [kW]	n ₂ [rpm]
9060	5,44	91,8	92,0
10300	6,16	91,8	81,1
11100	6,68	91,7	74,8
12500	7,50	91,7	66,7
13400	8,63	85,6	57,9
13300	9,67	75,9	51,7
12600	10,8	64,1	46,4
12700	12,6	55,6	39,8
12600	14,0	49,7	35,7
12200	15,5	43,5	32,3
10200	17,3	32,4	28,9
10400	19,9	28,9	25,2
11500	21,9	28,9	22,8
10600	24,5	23,9	20,4

B2H 225

Mn ₂ [Nm]	i	Pn ₁ [kW]	n ₂ [rpm]
12200	5,41	124	92,4
14000	6,11	126	81,9
15500	6,71	127	74,5
16800	7,70	120	64,9
18000	8,61	115	58,1
17600	9,51	102	52,6
16300	11,1	81,1	45,1
15900	12,4	70,8	40,4
16600	14,4	63,4	34,7
16000	16,0	55,0	31,3
15000	17,7	46,5	28,2
14900	20,4	40,3	24,5
15800	22,7	38,3	22,0
15600	25,1	34,2	19,9

B2H 250

Mn ₂ [Nm]	i	Pn ₁ [kW]	n ₂ [rpm]
18800	5,44	190	92,0
21100	6,04	192	82,8
24000	6,82	194	73,3
25500	7,89	178	63,3
24900	8,70	158	57,5
24200	9,49	140	52,7
22900	11,3	112	44,2
24900	12,3	111	40,5
23400	13,7	94,2	36,5
23100	15,4	82,6	32,4
20600	17,5	65,0	28,6
22200	19,4	63,0	25,8
22700	21,9	57,2	22,9
19800	24,3	44,8	20,6

B2H 280

Mn ₂ [Nm]	i	Pn ₁ [kW]	n ₂ [rpm]
25000	5,41	254	92,4
28200	5,98	260	83,6
29300	6,74	240	74,2
29900	7,50	219	66,6
30400	8,67	193	57,7
31000	9,49	180	52,7
31500	11,0	158	45,6
32000	12,3	143	40,5
32600	14,3	126	35,1
33700	16,0	116	31,3
32600	17,3	104	28,9
29100	20,2	79,3	24,8
32400	22,6	79,0	22,1
34800	24,5	78,2	20,4

B2H 355

Mn ₂ [Nm]	i	Pn ₁ [kW]	n ₂ [rpm]
47500	5,52	474	90,5
49500	5,98	456	83,6
52600	6,85	424	73,0
54200	7,55	395	66,2
64000	8,61	410	58,1
61600	9,49	358	52,7
56800	10,7	293	46,8
56800	12,3	253	40,5
56800	13,9	225	36,0
56200	15,5	200	32,3
58800	17,4	186	28,7
54200	19,7	152	25,4
58800	21,9	148	22,8
61900	24,7	138	20,2

B3H 180

Mn ₂ [Nm]	i	Pn ₁ [kW]	n ₂ [rpm]
10100	29,1	19,2	17,2
10000	32,7	17,1	15,3
10900	36,3	16,7	13,8
11600	40,4	16,0	12,4
10900	44,3	13,7	11,3
10600	49,7	11,9	10,1
11000	57,6	10,7	8,69
11000	64,6	9,46	7,74
10500	71,6	8,20	6,99
11500	78,4	8,18	6,37
10500	88,1	6,66	5,68
10200	98,4	5,77	5,08
10400	113	5,14	4,44
12100	122	5,50	4,09

B3H 200

Mn ₂ [Nm]	i	Pn ₁ [kW]	n ₂ [rpm]
13900	27,2	28,4	18,4
15100	30,1	28,0	16,6
14700	33,5	24,3	14,9
15200	38,0	22,3	13,2
15100	42,4	19,8	11,8
15300	49,4	17,2	10,1
15600	55,2	15,8	9,07
15400	65,0	13,2	7,70
16200	72,4	12,4	6,90
14500	79,9	10,1	6,25
12400	90,4	7,66	5,53
13900	101	7,65	4,94
15400	113	7,61	4,43
14700	125	6,55	4,01

B3H 225

Mn ₂ [Nm]	i	Pn ₁ [kW]	n ₂ [rpm]
18900	27,7	38,0	18,1
19400	31,5	34,3	15,9
19400	35,0	30,9	14,3
20000	40,9	27,2	12,2
20300	45,2	25,0	11,1
20300	50,5	22,4	9,89
20800	55,4	20,9	9,03
21200	63,8	18,5	7,83
21500	72,0	16,6	6,94
21600	80,0	15,0	6,25
22200	91,6	13,5	5,46
22300	102	12,2	4,92
22800	112	11,3	4,45
21000	125	9,39	4,01

B3H 250

Mn ₂ [Nm]	i	Pn ₁ [kW]	n ₂ [rpm]
29700	27,5	60,3	18,2
27800	30,5	50,8	16,4
28400	35,7	44,2	14,0
29400	38,7	42,3	12,9
29500	42,9	38,3	11,6
30100	50,3	33,3	9,93
30400	55,8	30,3	8,96
30300	62,9	26,8	7,95
30600	69,7	24,4	7,17
30400	79,1	21,4	6,32
30700	89,1	19,2	5,61
30500	98,8	17,2	5,06
30800	111	15,4	4,49
26300	124	11,8	4,04

B3H 280

Mn ₂ [Nm]	i	Pn ₁ [kW]	n ₂ [rpm]
35500	28,1	70,4	17,8
36800	31,1	65,9	16,1
36400	34,8	58,2	14,4
40400	40,4	55,7	12,4
40400	45,3	49,7	11,0
43800	48,6	50,2	10,3
42900	56,1	42,6	8,91
45100	62,9	39,9	7,95
44200	72,6	33,9	6,89
40100	81,4	27,4	6,14
45200	89,1	28,2	5,61
46200	103	25,0	4,86
42200	115	20,4	4,34
41600	125	18,6	4,01

B3H 355

Mn ₂ [Nm]	i	Pn ₁ [kW]	n ₂ [rpm]
71900	26,9	149	18,6
75600	30,2	139	16,5
76700	35,0	122	14,3
84000	39,3	119	12,7
84000	44,0	106	11,4
84000	48,6	96,3	10,3
84000	54,6	85,7	9,16
84000	63,8	73,3	7,84
84000	71,7	65,2	6,97
84000	79,9	58,5	6,25
84000	90,4	51,7	5,53
84000	102	46,0	4,92
84000	113	41,3	4,41
81900	128	35,7	3,92

B4H 180

Mn ₂ [Nm]	i	Pn ₁ [kW]	n ₂ [rpm]
13600	123	6,26	4,05
13000	135	5,45	3,69
14200	161	5,05	3,11
13800	176	4,45	2,84
11600	197	3,35	2,54
11800	227	2,96	2,20
13100	253	2,95	1,98
13900	277	2,86	1,81
12100	317	2,17	1,58
12300	347	2,01	1,44
13400	380	2,01	1,32
13700	432	1,81	1,16
11800	487	1,38	1,03
13100	541	1,37	0,925
14300	593	1,37	0,844

B4H 200

Mn ₂ [Nm]	i	Pn ₁ [kW]	n ₂ [rpm]
17600	128	7,81	3,90
16300	143	6,46	3,49
18400	160	6,53	3,13
16400	181	5,14	2,76
18500	202	5,19	2,47
18500	221	4,76	2,26
16500	251	3,74	1,99
18600	280	3,78	1,79
17800	315	3,22	1,59
17900	349	2,92	1,43
16700	391	2,44	1,28
19100	436	2,50	1,15
16300	481	1,93	1,04
19900	573	1,98	0,873
17100	632	1,54	0,791

B4H 225

Mn ₂ [Nm]	i	Pn ₁ [kW]	n ₂ [rpm]
26800	125	12,2	3,98
26100	146	10,1	3,42
26400	161	9,31	3,10
27100	179	8,64	2,80
27200	208	7,43	2,40
27600	230	6,83	2,18
27300	256	6,07	1,95
28300	282	5,71	1,78
27400	314	4,97	1,59
28800	366	4,48	1,37
27400	407	3,84	1,23
24600	444	3,16	1,13
28400	490	3,30	1,02
30500	571	3,04	0,876
29100	634	2,61	0,789

B4H 250

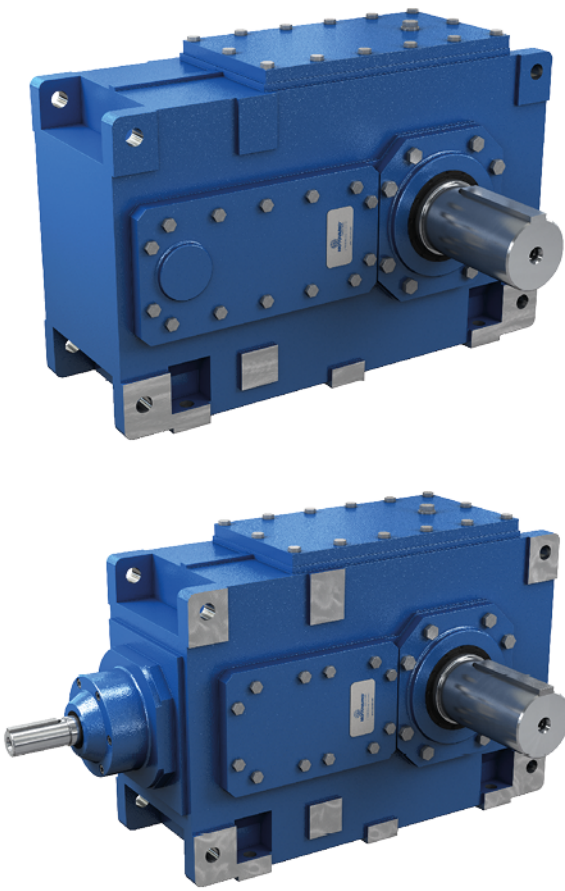
Mn ₂ [Nm]	i	Pn ₁ [kW]	n ₂ [rpm]
32300	123	14,9	4,06
31900	134	13,5	3,72
32500	160	11,5	3,12
32600	183	10,1	2,73
32100	200	9,14	2,50
32400	222	8,32	2,25
32300	250	7,35	2,00
32600	277	6,69	1,81
32900	312	6,00	1,60
32700	360	5,17	1,39
32900	405	4,61	1,23
33600	450	4,25	1,11
33900	506	3,81	0,987
34500	562	3,50	0,890
38400	633	3,45	0,790

B4H 280

Mn ₂ [Nm]	i	Pn ₁ [kW]	n ₂ [rpm]
44400	125	20,3	4,01
48300	144	19,1	3,47
42900	154	15,9	3,25
47800	183	14,8	2,73
44500	198	12,8	2,52
48600	224	12,3	2,23
44700	259	9,84	1,93
44800	275	9,26	1,82
48900	309	9,03	1,62
45100	356	7,20	1,40
45600	403	6,44	1,24
46200	452	5,82	1,11
50700	481	6,00	1,04
49100	556	5,02	0,900
48500	623	4,44	0,803

B4H 355

Mn ₂ [Nm]	i	Pn ₁ [kW]	n ₂ [rpm]
87200	130	38,1	3,84
87200	147	33,9	3,41
87200	170	29,3	2,95
87200	181	27,4	2,76
87200	203	24,4	2,46
87200	225	22,0	2,22
87200	253	19,6	1,97
87200	280	17,7	1,78
87200	309	16,1	1,62
87200	348	14,3	1,44
87200	395	12,6	1,27
87200	440	11,3	1,14
87200	482	10,3	1,04
87200	542	9,16	0,923
87200	604	8,22	0,828



PBC

16.1.1 Information

Nominal thermal capacity P_{th} is the maximum mechanical power that a gear reducer can transmit (under continuous duty) without its internal temperature rising to such a degree as to damage gear reducer components. Thermal capacity may be increased by using seals made from special rubber and synthetic oil, or suitable cooling devices. In the event of short duty cycles followed by periods of rest long enough to allow for gear reducer to cool down appropriately, thermal capacity loses significance and may be disregarded.

The scheme below indicates the nominal thermal power capacity [kW] according to the following conditions:

- Mounting position B3;
- Continuous operation at input speed ≤ 1500 rpm;
- Environment temperature $T_{amb}=20^{\circ}\text{C}$;
- Sea level altitude;
- Air speed around the gear reducer $\geq 1\text{m/s}$;
- Absence of external radial and/or axial loads;
- Lubricant oil up to 95°C (mineral oil) and 100°C (synthetic oil).

Table NOMINAL THERMAL CAPACITY P_{th}

Pth [kW]										
	PC - BC 176	PC - BC 196	PC - BC 216	PC - BC 246	PC - BC 266	PC - BC 276	PC - BC 316	PC - BC 346	PC - BC 396	PC - BC 406
P1C	111	-	151	-	169	-	186	-	210	
P2C	62,1	72,2	85,6	93,2	106	111	144	175	181	209
P3C	52,5	57,4	76,1	82,8	100	102	138	159	169	191
P4C	-	-	48,7	52,5	67,6	68,3	99,1	110	130	142
B2C	45,7	54,4	55,8	62,3	64	66,9	81,7	94,6	98,3	116,5
B3C	50	55,4	77	83,3	95	103	112	125	127	138
B4C	31,7	34	46,9	50,2	66,1	66,7	98,6	110	125	135

When a thermal capacity up to P_{th} is applied to the gear reducer under the reference conditions outlined above, the proper lubrication and operation of the gear reducer are guaranteed.

16.1.2 Verification

Verification of the application

The thermal limit of a gear reducer under real-life application conditions must be verified for each and every application using the following formula:

$P_1 < P_{th} * f_{ta} * f_{tb} * f_{tc} * f_{tn} * f_{ts} * f_{tv}$, where:

- P_1 = installed power [kW]
- P_{th} = thermal capacity under reference conditions [kW] (see table "Nominal thermal capacity");
- f_{ta} = sea-level elevation correction factor (see table);
- f_{tb} = cooling fan correction factor (see table);
- f_{ta} = ambient and operating temperature correction factor (see table);
- f_{tn} = input speed n_1 correction factor;
- f_{ts} = cooling coil correction factor (see table);
- f_{tv} = airflow speed correction factor around the gear reducer (see table).

Correction factors reflect operating conditions other than the reference conditions and are obtained from the following ISO14179 tables:

Table
Correction factor f_{ta}

Altitude [m]	f_{ta}
0	1
750	0,95
1500	0,9
2250	0,85
3000	0,81

Table
Correction factor f_{tb}

	n_1 [rpm]	f_{tb}
PC	1400	1,8
BC	1400	2

Table
Correction factor f_{tc}

	f_{tc}	Duty per hour of operation %				
		100	80	60	40	20
Ambient temperature °C	10	1,15	1,25	1,35	1,5	2
	20	1	1,05	1,15	1,35	1,75
	30	0,9	1	1,05	1,25	1,5
	40	0,75	0,8	0,9	1	1,35
	50	0,6	0,63	0,7	0,8	1

Table
Correction factor f_{tn}

	f_{tn}	n_1 [rpm]				
		700	900	1140	1400	1800
P1C	1,15	1,1	1,05	1	0,8	
P2C - B2C	1,1	1,07	1,05	1	0,9	
P3C - P4C - B3C - B4C	1,07	1,05	1,05	1	0,95	

Table
Correction factor f_{ts}

	f_{ts}
PBC	2,25

Table
Correction factor f_{tv}

Ventilation correction factor	f_{tv}
Stagnant air (<0,5 m/s)	0,75
Indoor installation with slight ventilation	1
Indoor installation with good ventilation (>1,4 m/s)	1,4

If unit is to operate at input speeds higher than 1800 rpm, or at ambient temperatures exceeding 40 °C, please contact MOTOVARIO TECHNICAL SERVICE.

The value of maximum input speed $n_1 \text{ max}$ shown in the table reflects continuous duty S1 (operation under steady loading for a period long enough to achieve thermal balance) and the B3 mounting position.

Continuous speeds above 1800 rpm are nevertheless not recommended since they could cause overheating and early deterioration of seals, bearings and lubricant.

Mounting positions other than B3 could make it necessary to use dedicated forced lubrication systems, while the transmission ratio could in some cases originate a further limitation of the permissible maximum input speed $n_1 \text{ max}$, contact MOTOVARIO TECHNICAL SERVICE.

For intermittent duty, please contact MOTOVARIO TECHNICAL SERVICE.

Table MAXIMUM PERMISSIBLE INPUT SPEED $n_1 \text{ max}$

$n_1 \text{ max}$ [rpm]							
PC - BC	P1C	P2C	P3C	P4C	B2C	B3C	B4C
176	2800	2800	2800	-	2800	2800	2800
196	-	2800	2800	-	2240	2400	2800
216	2240	2800	2800	2800	2240	2400	2800
246	-	2400	2800	2800	2000	2240	2800
266	1800	2240	2800	2800	1800	2240	2800
276	-	2240	2800	2800	1800	2000	2800
316	1800	1800	2400	2800	1800	2000	2400
346	-	1800	2400	2800	1400	1800	2400
396	1400	1800	2000	2400	1400	1800	2240
406	-	1400	1800	2400	1400	1400	2000

For the gear reducers of the PBC series, it is always necessary to specify the mounting position.

The amount of oil in the table are merely indicative only and for the proper topping up you will have to refer to the level plug or the dipstick, if any. Any deviations in level can depend on construction tolerances but also by the placement of the unit or by the mounting surface at the customers' premises. For this reason it is appropriate that the customer checks and, if necessary, restores the level when the unit are installed.

For V5 and V6 mounting positions, pump forced lubrication is required.

Table OIL CAPACITIES IN LITRES ~ [l]

	P1C									
	176	196	216	246	266	276	316	346	396	406
B3	22	-	42	-	68	-	120	-	175	-
B3R	22	-	42	-	68	-	120	-	175	-
B6	34	-	61	-	94	-	140	-	246	-
B7	34	-	61	-	94	-	140	-	246	-
V5	22	-	42	-	68	-	120	-	175	-
V6	22	-	42	-	68	-	120	-	175	-

	P2C									
	176	196	216	246	266	276	316	346	396	406
B3	15	16	27	30	42	45	71	76	135	140
B3R	15	16	27	30	42	45	71	76	135	140
B6	28	30	50	55	78	88	128	144	192	216
B7	28	30	50	55	78	88	128	144	192	216
V5	15	16	27	30	42	45	71	76	135	140
V6	15	16	27	30	42	45	71	76	135	140

	P3C									
	176	196	216	246	266	276	316	346	396	406
B3	16	18	29	32	48	49	85	90	160	165
B3R	16	18	29	32	48	49	85	90	160	165
B6	29	32	51	56	88	96	152	164	232	256
B7	29	32	51	56	88	96	152	164	232	256
V5	16	18	29	32	48	49	85	90	160	165
V6	16	18	29	32	48	49	85	90	160	165

	P4C									
	176	196	216	246	266	276	316	346	396	406
B3	-	-	25	27	48	50	80	87	130	140
B3R	-	-	25	27	48	50	80	87	130	140
B6	-	-	48	52	84	88	140	160	200	224
B7	-	-	48	52	84	88	140	160	200	224
V5	-	-	25	27	48	50	80	87	130	140
V6	-	-	25	27	48	50	80	87	130	140

16.3 LUBRICATION

B2C										
	176	196	216	246	266	276	316	346	396	406
B3	16	19	31	34	48	50	80	95	140	155
B3R	16	19	31	34	48	50	80	95	140	155
B6	30	37	59	65	92	96	152	180	240	272
B7	30	37	59	65	92	96	152	180	240	272
V5	16	19	31	34	48	50	80	95	140	155
V6	16	19	31	34	48	50	80	95	140	155

B3C										
	176	196	216	246	266	276	316	346	396	406
B3	15	16	37	30	42	45	71	76	130	140
B3R	15	16	37	30	42	45	71	76	130	140
B6	27	29	48	54	77	84	124	140	200	216
B7	27	29	48	54	77	84	124	140	200	216
V5	15	16	37	30	42	45	71	76	130	140
V6	15	16	37	30	42	45	71	76	130	140

B4C										
	176	196	216	246	266	276	316	346	396	406
B3	16	18	30	33	48	50	80	90	145	150
B3R	16	18	30	33	48	50	80	90	145	150
B6	29	32	52	58	84	88	140	160	200	224
B7	29	32	52	58	84	88	140	160	200	224
V5	16	18	30	33	48	50	80	90	145	150
V6	16	18	30	33	48	50	80	90	145	150

16.4.1 Information

Permissible radial load [N] values are indicated in the following tables and refer to the load applied at shaft midpoint in the worst conditions, in terms of angle of application and direction of rotation. In the event of special conditions that exceed the ratings given in the catalogue, please contact MOTOVARIO TECHNICAL SERVICE and submit the full application data: direction of loading, direction of rotation of shaft, type of duty. For double-ended and hollow shafts, where radial loading is to be applied at both ends, maximum permissible loads must be determined according to specific operating conditions. When this is the case, please contact MOTOVARIO TECHNICAL SERVICE.

Shaft radial loading is calculated by the following formula: $Fr = (2000 \cdot M \cdot fz) / D \leq Fr1 \text{ or } Fr2$ where:

- **Fr** [N] Resultant radial load
- **M** [Nm] Shaft torque
- **D** [mm] Diameter of transmission element mounted on the shaft
- **Fr1-Fr2** [N] Maximum permissible radial loading (see relevant tables)
- **fz** = 1,1 Gear pinion
1,4 Chain wheel
1,4 Pulley for timing belt drive
2,5 V belt pulley

16.4.2 Input - Radial load

Fr1 [N] is the permissible radial load value from the gear reducer in continuous service, applied at the centre line of the shaft, considering input speed $n_1 = 1400$ rpm.

For radial load application positions other than on the centre line, contact MOTOVARIO TECHNICAL SERVICE.

	PBC	176	196	216	246	266	276	316	346	396	406
Fr1	P1C	7300	-	7400	-	10200	-	-	-	21000	-
	P2C	5200	5200	5300	5300	7300	7300	11000	11000	15000	15000
	P3C	4600	4600	4700	4700	6500	6500	9800	9800	13400	13400
	P4C	-	-	3900	3900	4900	4900	7400	7400	10100	10100
	B3C	2100	2100	2800	2800	3700	3700	4200	4200	4600	4600
	B4C	3000	3000	3600	3600	4000	4000	4800	4800	5700	5700

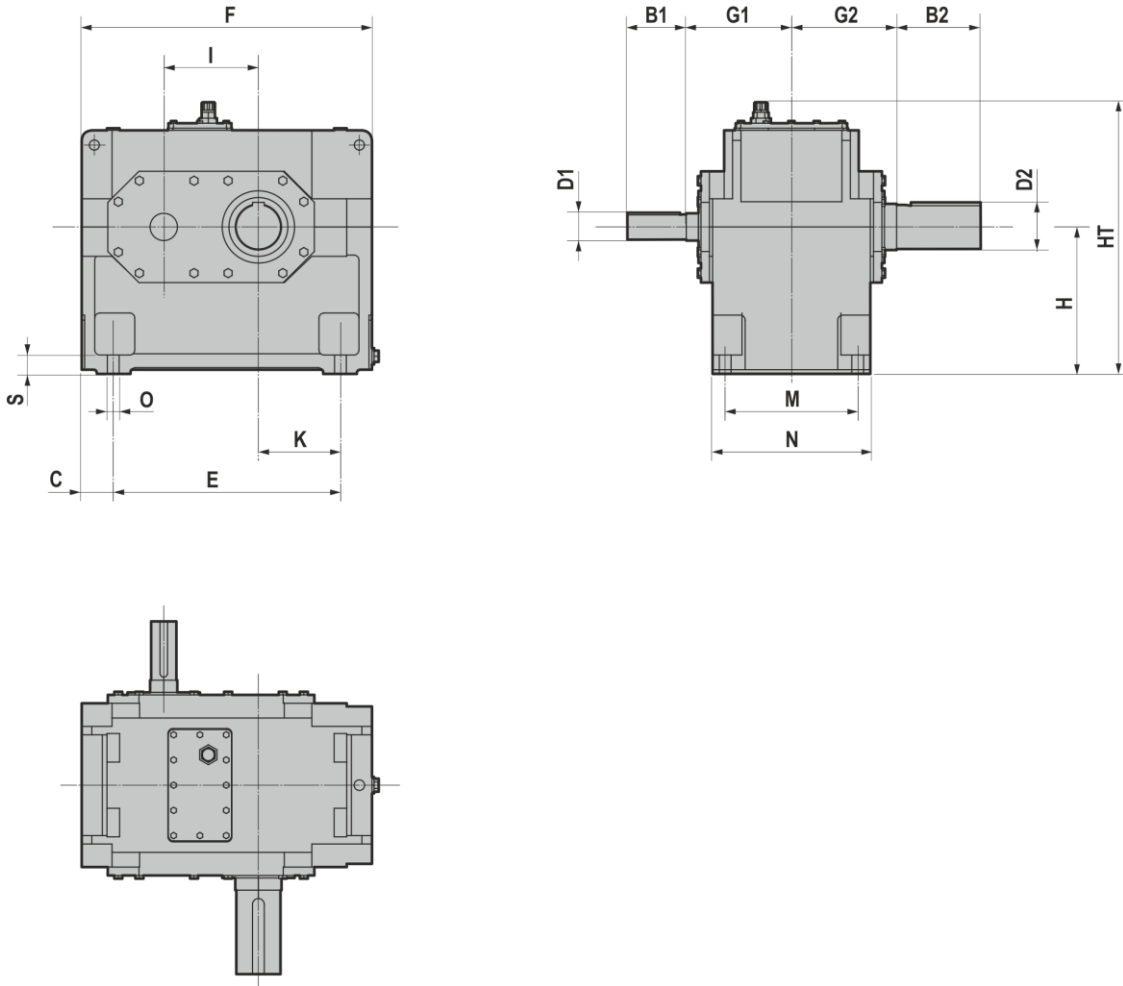
16.4.3 Output - Radial load

Fr2 [N] is the permissible radial load value from the gear reducer in continuous service, applied at the centre line of the output shaft, calculated considering the most unfavourable conditions as for application angle and direction of rotation.

For radial load application positions other than on the centre line and/or in case of axial loads, contact MOTOVARIO TECHNICAL SERVICE.

	PBC	176	196	216	246	266	276	316	346	396	406
Fr2	P1C	16000	-	20000	-	36000	-	62000	-	115000	-
	P2C	22000	22000	30000	30000	30000	45000	64000	64000	150000	150000
	P3C- B3C- B4C	29000	29000	40000	40000	40000	60000	85000	85000	190000	190000
	P4C	-	-	26000	26000	26000	40000	50000	50000	150000	150000
	B2C	27000	27000	37000	37000	38000	55000	78000	78000	160000	160000

17.1.1 PIC

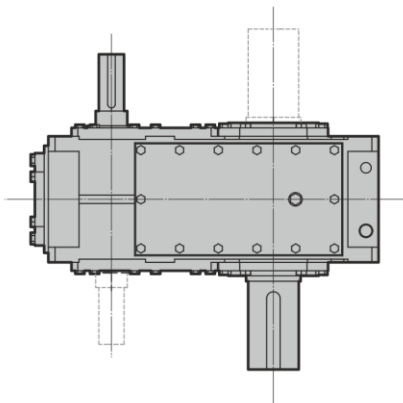
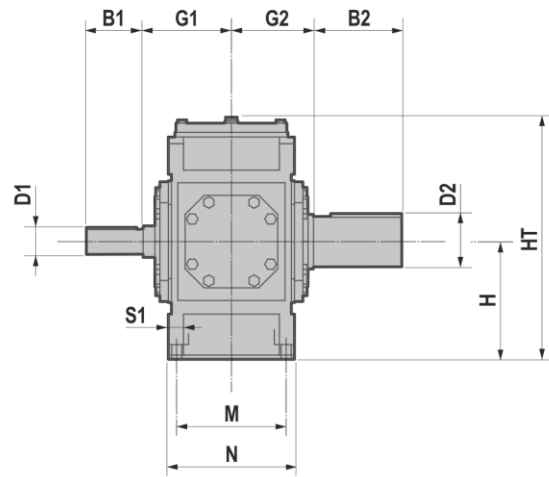
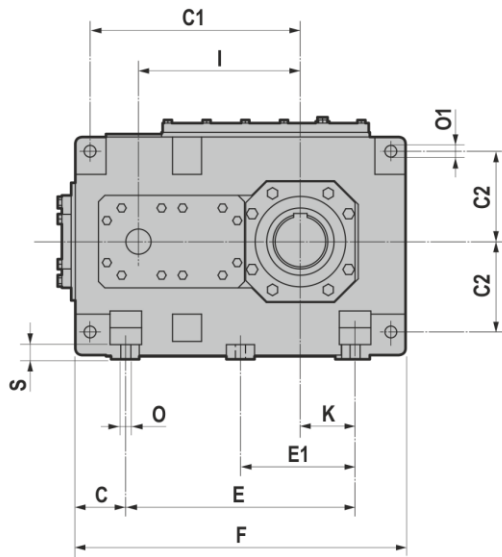


17.1 REDUCERS/GEARED MOTORS

P1C	D2	B2	C	E	F	G1	G2	H	HT	I	K	M	N	O	S
176	85	160	70	440	580	210	210	290	525	185	160	240	285	24	35
216	105	200	75	540	690	250	250	350	625	225	195	315	375	38	45
266	125	210	90	625	805	280	270	420	735	265	225	350	425	35	50
316	150	240	95	770	960	325	320	500	875	320	280	440	515	35	60
396	180	310	115	870	1100	365	360	580	1020	370	315	490	580	42	70

P1C	$i_n = 1,25 - 2,8$		$i_n = 1,6 - 2,8$		$i_n = 3,15 - 4$		$i_n = 4,5 - 5,6$	
	D1	B1	D1	B1	D1	B1	D1	B1
176	85	160	-	-	60	135	50	110
216	100	200	-	-	75	140	60	140
266	110	200	-	-	90	165	75	140
316	-	-	130	240	110	205	90	170
396	-	-	150	245	130	245	100	210

17.1.2 P2C



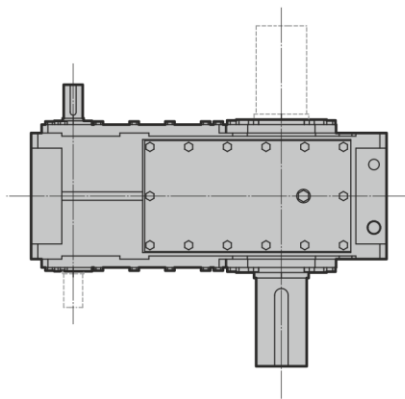
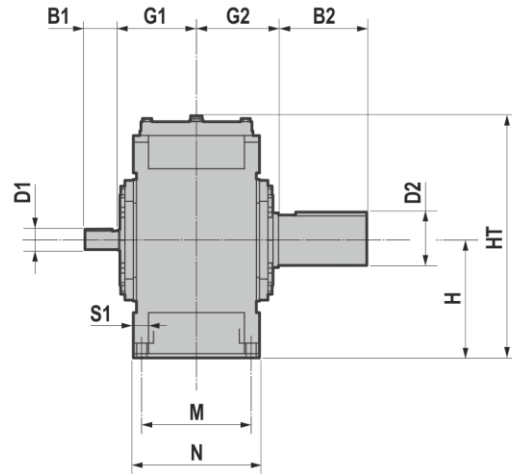
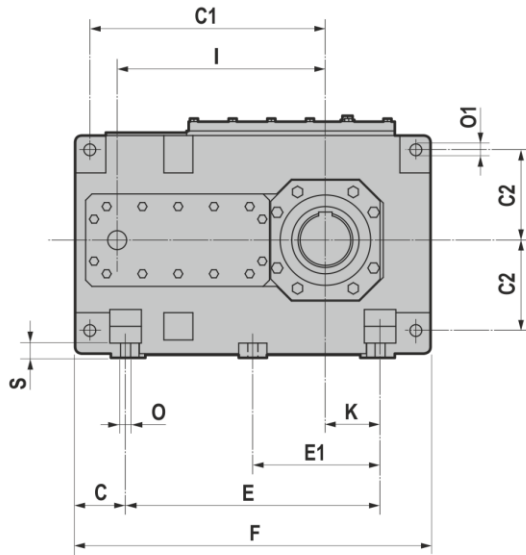
17.1 REDUCERS/GEARED MOTORS

P2C	D2	B2	C	C1	C2	E	E1	F	G1	G2
176	100	210	105	405	180	430	-	640	195	165
196	110	210	105	440	180	510	-	720	195	165
216	120	210	120	500	215	545	-	785	210	195
246	130	250	120	545	215	650	-	890	210	195
266	140	250	145	585	245	635	-	925	240	235
276	160	300	145	635	245	735	-	1025	240	235
316	170	300	165	710	300	775	-	1105	275	270
346	180	300	165	780	300	930	-	1260	275	270
396	200	350	100	835	340	1090	545	1290	330	335
406	210	350	100	905	340	1230	685	1430	330	335

P2C	H	HT	I	K	M	N	O	O1	S	S1
176	230	482	315	100	220	255	19	24	28	30
196	230	482	350	145	220	255	19	24	28	30
216	280	572	385	130	260	300	24	28	35	36
246	280	582	430	190	260	300	24	28	35	36
266	320	662	450	155	320	370	28	36	40	45
276	320	662	500	205	320	370	28	36	40	45
316	380	782	545	180	370	430	35	40	50	54
346	380	790	615	265	370	430	35	40	50	54
396	440	900	635	305	475	550	35	48	60	61
406	440	900	705	375	475	550	35	48	60	61

P2C	$i_n = 6,3 - 11,2$		$i_n = 8 - 14$		$i_n = 12,5 - 20$		$i_n = 12,5 - 22,4$		$i_n = 16 - 25$		$i_n = 16 - 28$	
	D1	B1	D1	B1	D1	B1	D1	B1	D1	B1	D1	B1
176	50	100	-	-	-	-	38	80	-	-	-	-
196	-	-	50	100	-	-	-	-	-	-	38	80
216	60	135	-	-	-	-	50	110	-	-	-	-
246	-	-	60	135	-	-	-	-	-	-	50	110
266	75	140	-	-	-	-	60	140	-	-	-	-
276	-	-	75	140	-	-	-	-	-	-	60	140
316	90	165	-	-	-	-	-	-	-	-	-	-
346	-	-	90	165	-	-	70	140	-	-	70	140
396	100	205	-	-	85	170	-	-	-	-	-	-
406	-	-	100	205	-	-	-	-	85	170	-	-

17.1.3 P3C



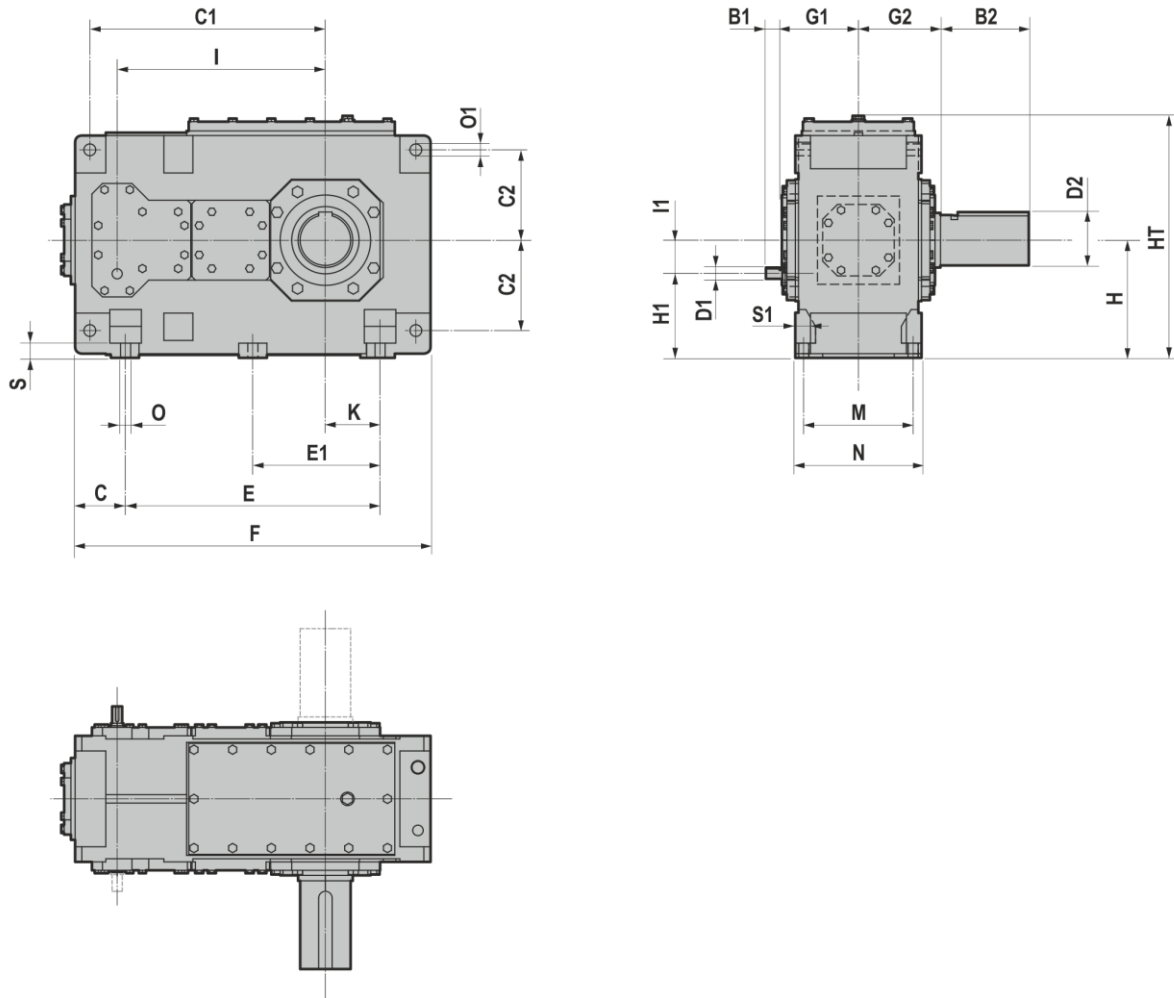
17.1 REDUCERS/GEARED MOTORS

P3C	D2	B2	C	C1	C2	E	E1	F	G1	G2
176	100	210	105	455	180	480	-	690	60	165
196	110	210	105	490	180	560	-	770	60	165
216	120	210	120	560	215	605	-	845	185	195
246	130	250	120	605	215	710	-	950	185	195
266	140	250	145	660	245	710	-	1000	230	235
276	160	300	145	710	245	810	-	1100	230	235
316	170	300	165	805	300	870	-	1200	255	270
346	180	300	165	875	300	1025	-	1355	255	270
396	200	350	100	940	340	1195	597,5	1395	310	335
406	210	350	100	1010	340	1335	737,5	1535	310	335

P3C	H	HT	I	K	M	N	O	O1	S	S1
176	230	482	405	100	220	255	19	24	28	30
196	230	482	440	145	220	255	19	24	28	30
216	280	572	495	130	260	300	24	28	35	36
246	280	582	540	190	260	300	24	28	35	36
266	320	662	580	155	320	370	28	36	40	45
276	320	662	630	205	320	370	28	36	40	45
316	380	782	705	180	370	430	35	40	50	54
346	380	790	775	265	370	430	35	40	50	54
396	440	900	820	305	475	550	35	48	60	61
406	440	900	890	375	475	550	35	48	60	61

P3C	$i_n = 22,4 - 45$		$i_n = 35 - 45$		$i_n = 31,5 - 56$		$i_n = 50 - 63$		$i_n = 63 - 80$		$i_n = 71 - 90$		$i_n = 90 - 112$	
	D1	B1	D1	B1	D1	B1	D1	B1	D1	B1	D1	B1	D1	B1
176	-	-	40	70	-	-	30	50	-	-	24	40	-	-
196	-	-	-	-	40	70	-	-	30	50	-	-	24	40
216	-	-	45	80	-	-	35	60	-	-	28	50	-	-
246	-	-	-	-	45	80	-	-	35	60	-	-	28	50
266	-	-	60	125	-	-	45	100	-	-	32	80	-	-
276	-	-	-	-	60	125	-	-	45	100	-	-	32	80
316	-	-	70	120	-	-	50	80	-	-	42	70	-	-
346	-	-	-	-	70	120	-	-	50	80	-	-	42	70
396	85	160	-	-	-	-	60	135	-	-	50	110	-	-
406	-	-	-	-	-	-	-	-	-	-	-	-	-	-

17.1.4 P4C



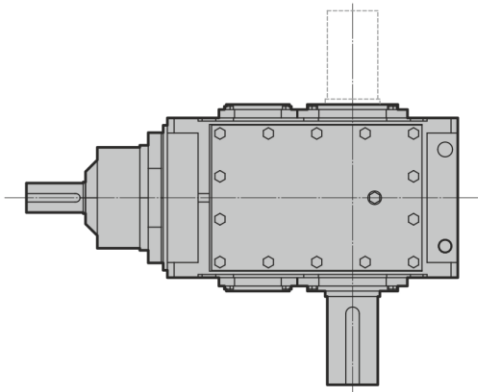
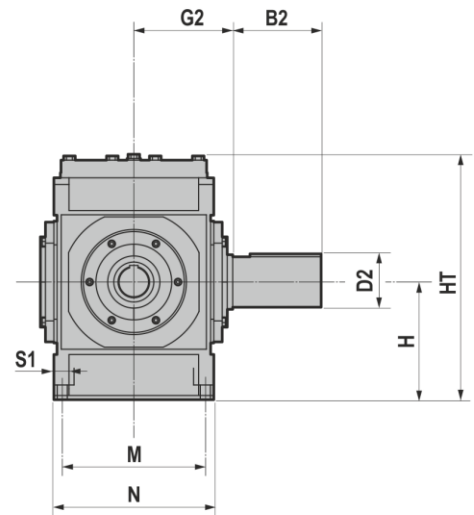
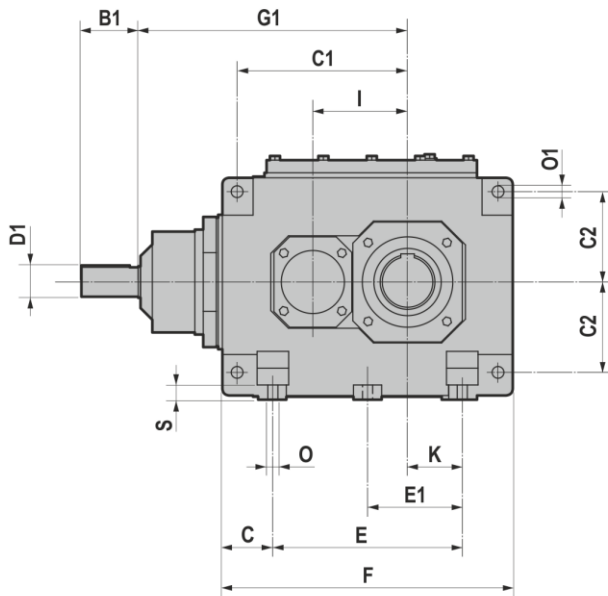
17.1 REDUCERS/GEARED MOTORS

P4C	D2	B2	C	C1	C2	E	E1	F	G1	G2	H
216	120	210	120	560	215	605	-	845	180	195	280
246	130	250	120	605	215	710	-	950	180	195	280
266	140	250	145	660	245	710	-	1000	215	235	320
276	160	300	145	710	245	810	-	1100	215	235	320
316	170	300	165	805	300	870	-	1200	250	270	380
346	180	300	165	875	300	1025	-	1355	250	270	380
396	200	350	100	940	340	1195	597,5	1395	305	335	440
406	210	350	100	1010	340	1335	737,5	1535	305	335	440

P4C	H1	HT	I	II	K	M	N	O	O1	S	S1
216	200	572	495	80	130	260	300	24	28	35	36
246	200	582	540	80	190	260	300	24	28	35	36
266	230	662	580	90	155	320	370	28	36	40	45
276	230	662	630	90	205	320	370	28	36	40	45
316	270	782	705	110	180	370	430	35	40	50	54
346	270	790	775	110	265	370	430	35	40	50	54
396	310	900	820	130	305	475	550	35	48	60	61
406	310	900	890	130	375	475	550	35	48	60	61

P4C	$i_n = 100 - 180$		$i_n = 125 - 224$		$i_n = 200 - 355$		$i_n = 250 - 450$	
	D1	B1	D1	B1	D1	B1	D1	B1
216	30	50	-	-	24	80	-	-
246	-	-	30	50	-	-	24	80
266	35	60	-	-	28	50	-	-
276	-	-	35	60	-	-	28	50
316	45	100	-	-	32	80	-	-
346	-	-	45	100	-	-	32	80
396	50	100	-	-	-	-	38	80
406	-	-	-	-	50	100	38	80

17.1.5 B2C



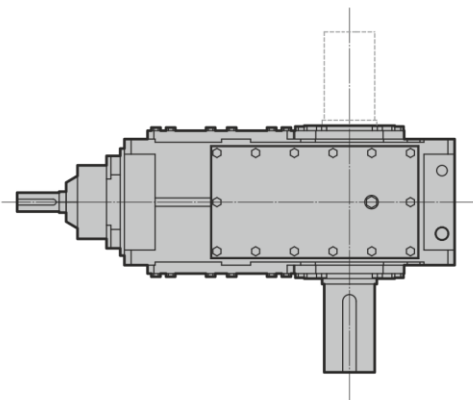
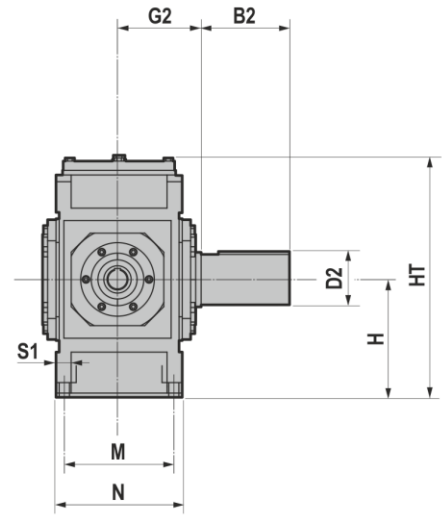
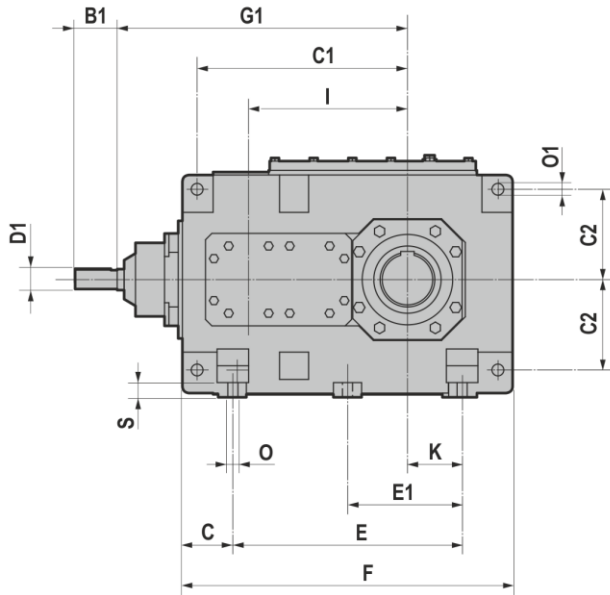
17.1 REDUCERS/GEARED MOTORS

B2C	D2	B2	C	C1	C2	E	E1	F	G1	G2
176	100	210	105	330	180	355	-	565	535	200
196	110	210	105	365	180	435	-	645	570	200
216	120	210	120	405	215	450	-	690	640	235
246	130	250	120	450	215	555	-	795	685	235
266	140	250	145	480	245	530	-	820	755	270
276	160	300	145	530	245	630	-	920	805	270
316	170	300	165	580	300	645	-	975	925	320
346	180	300	165	650	300	800	-	1130	995	320
396	200	350	100	675	340	930	465	1130	1070	390
406	210	350	100	745	340	1070	465	1270	1140	390

B2C	H	HT	I	K	M	N	O	O1	S	S1
176	230	482	185	100	285	320	19	24	28	30
196	230	482	220	145	285	320	19	24	28	30
216	280	572	225	130	340	380	24	28	35	36
246	280	582	270	190	340	380	24	28	35	36
266	320	662	265	155	390	440	28	36	40	48
276	320	662	315	205	390	440	28	36	40	48
316	380	782	320	180	470	530	35	40	50	54
346	380	790	390	265	470	530	35	40	50	54
396	440	900	370	305	580	655	35	48	60	61
406	440	900	440	375	580	655	35	48	60	61

B2C	$i_n = 5 - 11,2$		$i_n = 6,3 - 14$	
	D1	B1	D1	B1
176	55	110	-	-
196	-	-	55	110
216	70	135	-	-
246	-	-	70	135
266	80	165	-	-
276	-	-	80	165
316	90	165	-	-
346	-	-	90	165
396	110	205	-	-
406	-	-	110	205

17.1.6 B3C



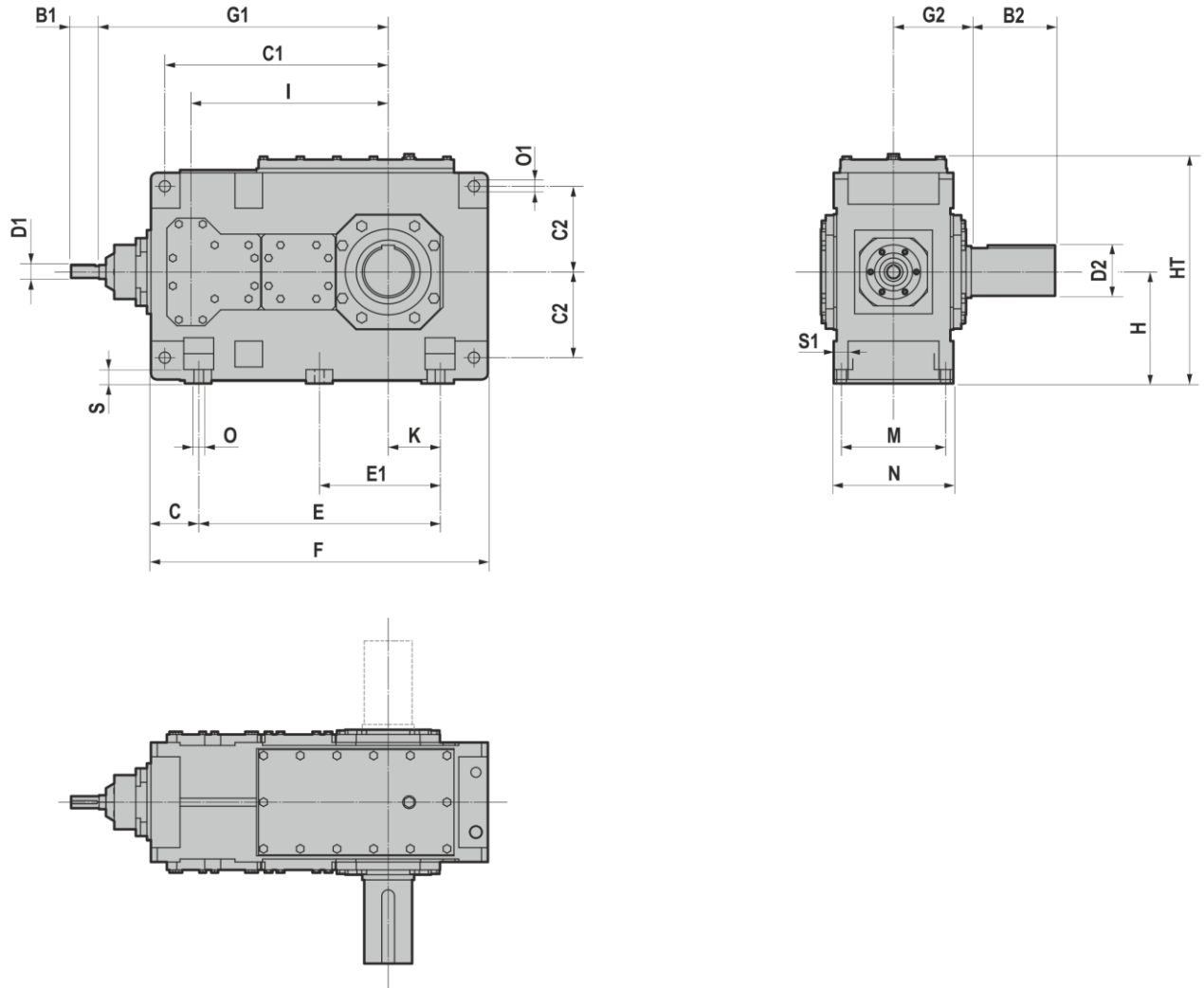
17.1 REDUCERS/GEARED MOTORS

B3C	D2	B2	C	C1	C2	E	E1	F	G1	G2
176	100	210	105	405	180	430	-	640	575	165
196	110	210	105	440	180	510	-	720	610	165
216	120	210	120	500	215	545	-	785	690	195
246	130	250	120	545	215	650	-	890	735	195
266	140	250	145	585	245	635	-	925	800	235
276	160	300	145	635	245	735	-	1025	850	235
316	170	300	165	710	300	775	-	1105	960	270
346	180	300	165	780	300	930	-	1260	1030	270
396	200	350	100	835	340	1090	545	1290	1125	335
406	210	350	100	905	340	1230	685	1430	1195	335

B3C	H	HT	I	K	M	N	O	O1	S	S1
176	230	482	315	100	220	255	19	24	28	30
196	230	482	350	145	220	255	19	24	28	30
216	280	572	385	130	260	300	24	28	35	36
246	280	582	430	190	260	300	24	28	35	36
266	320	662	450	155	320	370	28	36	40	45
276	320	662	500	205	320	370	28	36	40	45
316	380	782	545	180	370	430	35	40	50	54
346	380	790	615	265	370	430	35	40	50	54
396	440	900	635	305	475	550	35	48	60	61
406	440	900	705	375	475	550	35	48	60	61

B3C	$i_n = 12,5 - 45$		$i_n = 16 - 56$		$i_n = 50 - 71$		$i_n = 63 - 90$	
	D1	B1	D1	B1	D1	B1	D1	B1
176	35	80	-	-	28	60	-	-
196	-	-	35	80	-	-	28	60
216	45	100	-	-	35	80	-	-
246	-	-	45	100	-	-	35	80
266	55	110	-	-	40	100	-	-
276	-	-	55	110	-	-	40	100
316	70	135	-	-	50	110	-	-
346	-	-	70	135	-	-	50	110
396	80	165	-	-	60	140	-	-
406	-	-	80	165	-	-	60	140

17.1.7 B4C



17.1 REDUCERS/GEARED MOTORS

B4C	D2	B2	C	C1	C2	E	E1	F	G1	G2
176	100	210	105	455	180	480	-	690	615	165
196	110	210	105	490	180	560	-	770	650	165
216	120	210	120	560	215	605	-	845	725	195
246	130	250	120	605	215	710	-	950	770	195
266	140	250	145	660	245	710	-	1000	840	235
276	160	300	145	710	245	810	-	1100	890	235
316	170	300	165	805	300	870	-	1200	1010	270
346	180	300	165	875	300	1025	-	1355	1080	270
396	200	350	100	940	340	1195	597,5	1395	1170	335
406	210	350	100	1010	340	1335	737,5	1535	1240	335

B4C	H	HT	I	K	M	N	O	O1	S	S1
176	230	482	405	100	220	255	24	19	28	30
196	230	482	440	145	220	255	24	19	28	30
216	280	572	495	130	260	300	28	24	35	36
246	280	582	540	190	260	300	28	24	35	36
266	320	662	580	155	320	370	36	28	40	45
276	320	662	630	205	320	370	36	28	40	45
316	380	782	705	180	370	430	40	35	50	54
346	380	790	775	265	370	430	40	35	50	54
396	440	900	820	305	475	550	48	35	60	61
406	440	900	890	375	475	550	48	35	60	61

B4C	$i_n = 80 - 180$		$i_n = 100 - 224$		$i_n = 200 - 315$		$i_n = 250 - 400$	
	D1	B1	D1	B1	D1	B1	D1	B1
176	28	55	-	-	20	50	-	-
196	-	-	28	55	-	-	20	50
216	30	70	-	-	25	60	-	-
246	-	-	30	70	-	-	25	60
266	35	80	-	-	28	60	-	-
276	-	-	35	80	-	-	28	60
316	56	100	-	-	35	80	-	-
346	-	-	56	100	-	-	35	80
396	55	110	-	-	40	100	-	-
406	-	-	55	110	-	-	40	100

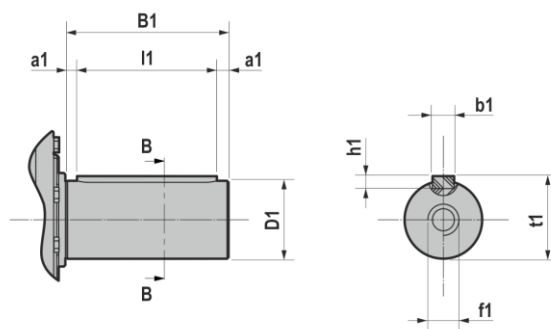
17.2 WEIGHTS

The values reported in the tables are referred to the weight of the gearbox without lubricant.

PC	[- kg]			
	P1C	P2C	P3C	P4C
176	302	300	320	-
196	-	355	365	-
216	547	505	540	550
246	-	590	625	645
266	862	830	875	875
276	-	960	1020	1010
316	1515	1335	1400	1460
346	-	1615	1675	1725
396	2395	2000	2295	2390
406	-	2570	2625	2730

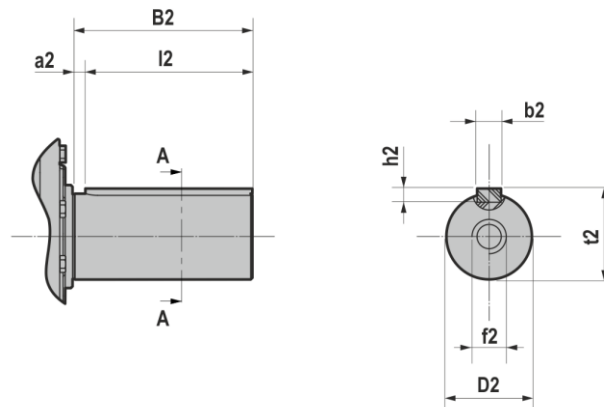
BC	[- kg]		
	B2C	B3C	B4C
176	360	325	335
196	410	380	385
216	615	550	555
246	700	635	655
266	1000	890	890
276	1155	1020	1025
316	1640	1455	1485
346	1910	1730	1750
396	2450	2380	2395
406	2825	2750	2735

17.3.1 Input shaft end



D1	B1	b1	t1	f1	b1xh1xl1	a1
24 k6	40	8	27	M10	8x7x30	5
25 k6	60	8	28	M10	8x7x50	5
28 m6	50	8	31	M10	8x7x40	5
28 m6	55	8	31	M10	8x7x40	7,5
28 m6	60	8	31	M10	8x7x50	5
30 m6	50	8	33	M10	8x7x40	5
30 m6	70	8	33	M10	8x7x60	5
32 m6	80	10	35	M12	10x8x70	5
35 m6	60	10	38	M12	10x8x50	5
35 m6	80	10	38	M12	10x8x70	5
38 m6	80	10	41	M12	10x8x70	5
40 m6	70	12	43	M12	12x8x60	5
40 m6	100	12	43	M12	12x8x90	5
42 m6	70	12	45	M16	12x8x60	5
45 m6	80	14	48,5	M16	14x9x70	5
45 m6	100	14	48,5	M16	14x9x90	5
50 m6	80	14	53,5	M16	14x9x70	5
50 m6	100	14	53,5	M16	14x9x90	5
50 m6	110	14	53,5	M16	14x9x100	5
55 m6	110	16	59	M20	16x10x100	5
56 m6	110	16	60	M20	16x10x100	5
60 m6	125	18	64	M20	18x11x110	7,5
60 m6	135	18	64	M20	18x11x120	7,5
60 m6	140	18	64	M20	18x11x130	5
70 m6	120	20	74,5	M20	20x12x110	5
70 m6	135	20	74,5	M20	20x12x120	7,5
70 m6	140	20	74,5	M20	20x12x130	5
75 m6	140	20	79,5	M20	20x12x130	5
80 m6	165	22	85	M20	22x14x140	12,5
85 m6	160	22	90	M20	22x14x140	10
85 m6	170	22	90	M20	22x14x150	10
90 m6	165	25	95	M24	25x14x140	12,5
90 m6	170	25	95	M24	25x14x150	10
100 m6	200	28	106	M24	28x16x170	15
100 m6	205	28	106	M24	28x16x170	17,5
100 m6	210	28	106	M24	28x16x180	15
110 n6	200	28	116	M24	28x16x170	15
110 n6	205	28	116	M24	28x16x170	17,5
130 n6	240	32	137	M24	32x18x210	15
130 n6	245	32	137	M24	32x18x210	17,5
150 n6	245	36	158	M24	36x20x210	17,5

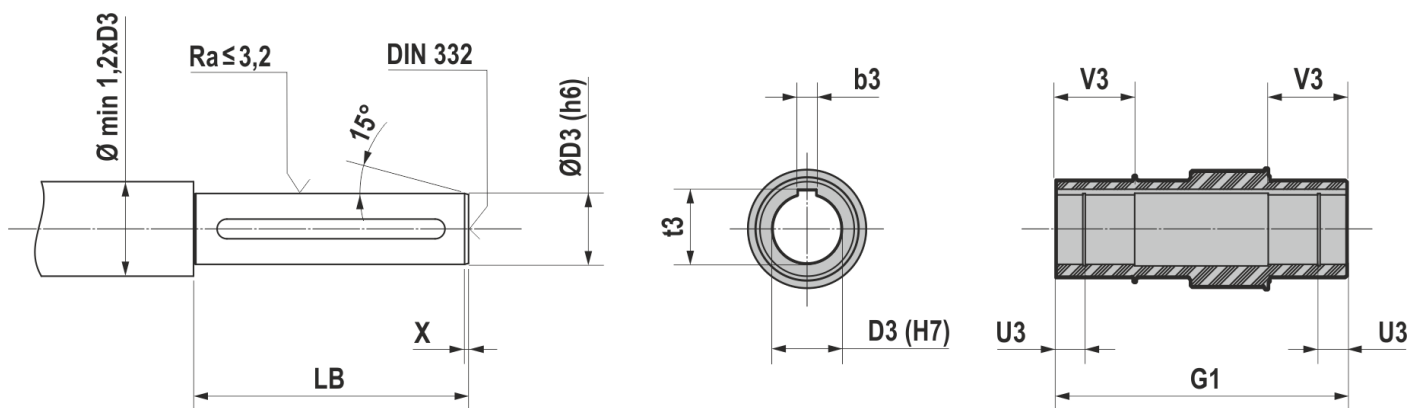
17.3.2 Output shaft end



PC-BC	D2	B2	b2	t2	f2	b2xh2xt2	a2
176	85 m6	160	22	90	M20	22x14x130	15
176	100 m6	210	28	106	M24	28x16x160	25
196	110 n6	210	28	116	M24	28x16x160	25
216	105 n6	200	28	111	M24	28x16x150	25
216	120 n6	210	32	127	M24	32x18x160	25
246	130 n6	250	32	137	M24	32x18x190	30
266	125 n6	210	32	132	M24	32x18x160	25
266	140 n6	250	36	148	M30	36x20x190	30
276	160 n6	300	36	169	M30	36x22x220	40
316	150 n6	240	36	158	M30	36x20x180	30
316	170 n6	300	40	179	M30	40x22x220	40
346	180 n6	300	45	190	M30	45x25x220	40
396	180 n6	310	45	190	M30	45x25x230	40
396	200 n6	350	45	210	M30	45x25x260	45
406	210 n6	350	50	221	M30	50x28x260	45

Dimension also valid for double output shaft version.

18.1 LOW SPEED SHAFTS



PC - BC	D3 (H7/h6)	b3	t3	G1	U3	V3	LB	X
176	95	25	100,4	330	0	0	328	5
196	105	28	111,4	330	0	0	328	5
216	115	32	122,4	390	0	0	388	5
246	125	32	132,4	390	0	0	388	6
266	135	36	143,4	470	0	0	467	6
276	150	36	158,4	470	0	0	467	6
316	165	40	174,4	540	0	0	537	7
346	180	45	190,4	540	0	0	537	7
396	190	45	200,4	670	0	0	667	8
406	210	50	221,4	670	0	0	667	8

18.2.1 Cooling and heating unit

On request the gear reducer can be supplied with:

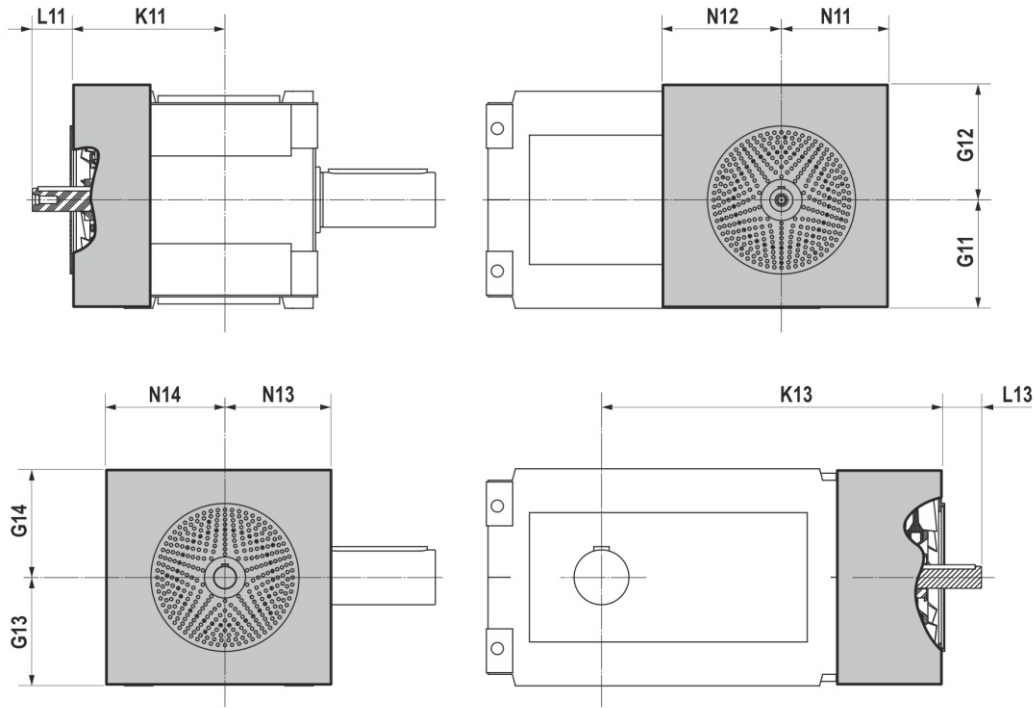
- Cooling fan;
- Cooling coil with or without valve thermostatic;
- Oil heater.

18.2.2 Lubrication and monitoring unit

On request the gear reducer can be supplied with:

- Bearings lubrication pump;
- Bearings lubrication motor pump;
- Pressure switch;
- Oil temperature sensor and bearing temperature sensor PT100 .

18.2.3 Cooling fan



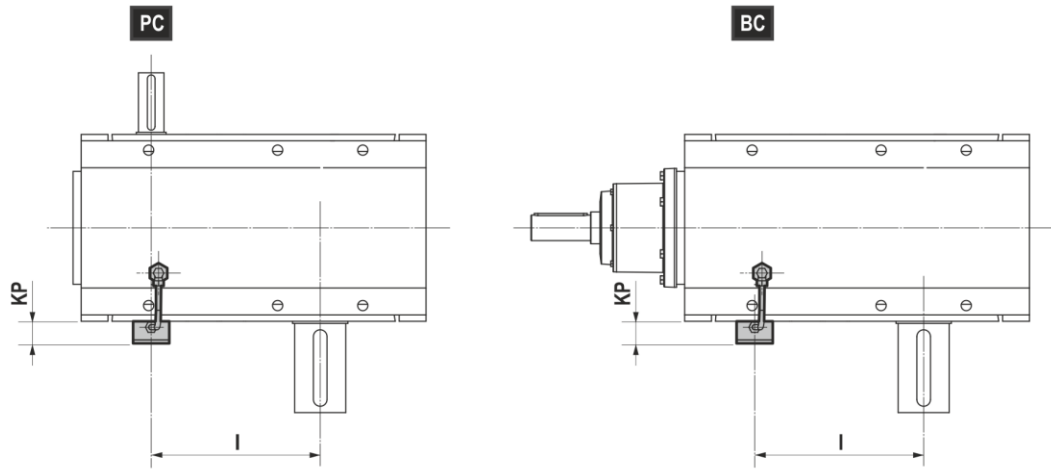
PC	P1C					P2C					P3C				
	G11	L11	K11	N11	N12	G11	L11	K11	N11	N12	G11	L11	K11	N11	N12
176	225	115/90/65	255	215	115	225	65/45	230	260	175	137	15/-5/-15	215	135	140
196	-	-	-	-	-	225	65/45	230	260	175	137	15/-5/-15	215	135	140
216	255	150/90	300	250	120	272	90/65	255	305	210	157	20/0/-10	245	160	180
246	-	-	-	-	-	272	90/65	255	305	210	157	20/0/-10	245	160	180
266	300	150/115/90	330	265	140	312	95	285	355	240	182	60/35/15	295	190	205
276	-	-	-	-	-	312	95	285	355	240	182	60/35/15	295	190	205
316	360	190/155/120	375	330	190	372	115	325	420	285	218	50/10/0	325	220	255
346	-	-	-	-	-	372	115/90	325	420	285	218	50/10/0	325	220	255
396	415	180/145	430	350	-	430	150/115	385	460	330	225	90	380	225	212
406	-	-	-	-	-	430	150/115	385	460	330	225	90	380	225	212

BC	B2C					B3C				
	G13	G14	L13	K13	N13	G13	G14	L13	K13	N13
176	220	235	40	557,5	215	220	235	50/30	605	168
196	220	235	40	637,5	215	220	235	50/30	640	168
216	270	285	55	669	250	275	275	70/50	720	193
246	270	285	55	789	250	275	275	70/50	765	193
266	310	325	75	790	270	315	325	65/55	845	231
276	310	325	75	915	270	315	325	65/55	895	231
316	370	385	80	951	328	370	385	85/60	1010	263
346	370	385	80	1126	328	370	385	85/60	1080	263
396	430	450	95	1130	375	425	435	110/85	1180	325
406	430	450	95	1200	375	425	435	110/85	1250	325

PBC

18.2 DEVICES

18.2.4 Bearings lubrication pump



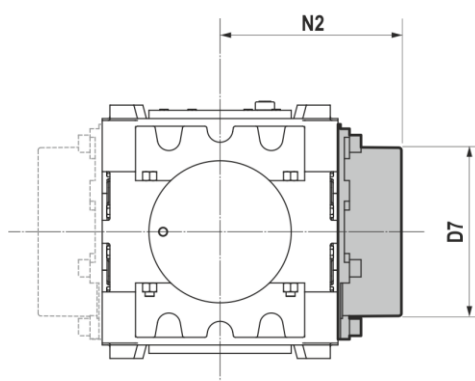
PC	P2C		P3C		P4C	
	KP	I	KP	I	KP	I
176	150	315	190	405	-	-
196	150	350	190	440	-	-
216	145	385	185	495	160	495
246	145	430	185	540	160	540
266	135	450	170	580	170	580
276	135	500	170	630	170	630
316	145	545	170	705	170	705
346	145	615	170	775	170	775
396	130	635	170	820	-	-
406	130	705	170	890	-	-

BC	B2C		B3C		B4C	
	KP	I	KP	I	KP	I
176	190	160	190	315	200	405
196	190	185	190	350	200	440
216	200	220	190	385	120	495
246	200	270	190	430	120	540
266	200	265	180	450	120	580
276	200	315	180	500	120	630
316	200	320	180	545	130	705
346	200	390	180	615	130	775
396	200	370	170	635	-	-
406	200	440	170	705	-	-

18.3.1 Backstop device

Gear reducers may be equipped with backstop. The backstop allows shafts to rotate in one direction only. It is essential that while ordering you specify the direction of free rotation of the output shaft, according to the white or black arrow. Please see relevant paragraph "DIRECTION OF ROTATION. Please contact MOTOVARIO TECHNICAL SERVICE to verify dimensions of backstop.

18.3.2 Output shaft cover

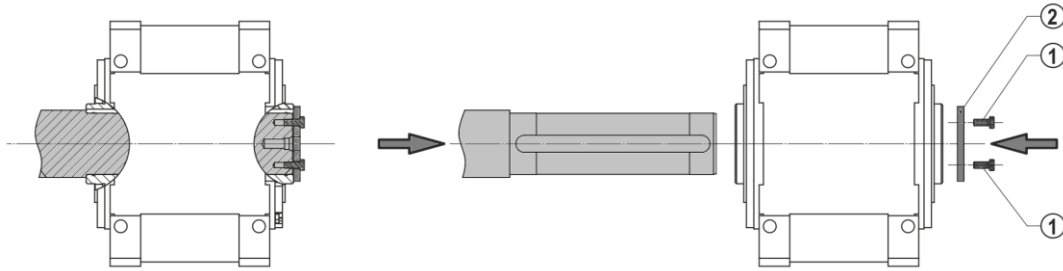


PC-BC	D7	N2	
		Hollow output shaft with keyway	Hollow output shaft with shrink disc
176	275	205	260
196	285	205	255
216	330	235	305
246	340	235	305
266	360	280	355
276	395	280	365
316	435	315	420
346	450	315	420
396	500	380	505
406	525	380	505

18.3.3 Axial fixing washer

Mounting kit for hollow shaft gear reducers with keyway. On request delivery includes:

1. Retaining bolt
2. Axial fixing washer



18.3.4 Optional seals

On request the gear reducer can be supplied with:

- Labyrinth seal with grease nipple. Recommended for dust and aggressive environments. Overall dimensions of shaft in an axial direction may differ from standard dimensions. Please contact MOTOVARIO TECHNICAL SERVICE.
- Sealing rings in FPM (FKM) fluorinated rubber. Recommended for ambient temperatures above 40 °C, in aggressive industrial environments and with high input speeds. Do not use at ambient temperatures below 10 °C.
- Dual seal. Available both on input and output shaft, in NBR rubber as well as in FPM (FKM) fluorinated rubber.

18.3.5 Other Accessories and Options

On request the gear reducer can be supplied with:

- Filling plug with filter;
- Special painting with C4, C5I and C5M corrosive classes according to UNI EN ISO 12944;

PIC 176

Mn ₂ [Nm]	i	Pn ₁ [kW]	n ₂ [rpm]
5760	1,26	858	1390
6050	1,38	821	1270
6190	1,59	729	1100
6340	1,84	644	952
6770	2,03	622	860
6910	2,26	572	775
6910	2,52	513	694
6910	2,83	457	619
6910	3,19	405	549
6840	3,59	356	487
6910	4,06	318	431
5540	4,62	224	379
5180	4,90	198	357
4970	5,56	167	315

PIC 266

Mn ₂ [Nm]	i	Pn ₁ [kW]	n ₂ [rpm]
17800	1,27	2620	1380
18100	1,40	2420	1250
19500	1,63	2250	1080
20200	1,80	2090	972
20700	2,00	1930	875
20700	2,23	1730	784
20700	2,50	1550	700
19600	2,74	1340	638
20200	3,21	1180	546
20600	3,59	1070	487
20700	4,05	954	432
17700	4,38	756	399
16900	4,96	638	353
14500	5,68	476	308

PIC 396

Mn ₂ [Nm]	i	Pn ₁ [kW]	n ₂ [rpm]
48500	1,59	5710	1100
51000	1,84	5190	952
52500	2,03	4830	860
54100	2,26	4480	775
55400	2,52	4110	694
55400	2,93	3540	598
52600	3,21	3070	546
53600	3,59	2790	487
54500	4,05	2520	432
44400	4,62	1800	379
42000	4,90	1600	357
39900	5,56	1340	315

PIC 216

Mn ₂ [Nm]	i	Pn ₁ [kW]	n ₂ [rpm]
10900	1,26	1620	1390
11100	1,39	1490	1260
11700	1,61	1370	1090
12500	1,77	1320	986
12800	1,97	1220	890
12800	2,31	1040	758
12800	2,58	928	678
12300	2,80	822	625
12500	3,13	748	559
12800	3,52	680	497
12800	4,00	599	438
11400	4,40	483	398
9940	4,91	379	357
9430	5,53	319	317

PIC 316

Mn ₂ [Nm]	i	Pn ₁ [kW]	n ₂ [rpm]
33100	1,64	3790	1070
34300	1,81	3550	969
35400	2,00	3310	875
36400	2,22	3070	788
36400	2,48	2750	706
36400	2,78	2450	629
34600	3,08	2100	568
36100	3,48	1940	503
36400	3,91	1740	448
33100	4,42	1400	396
27900	5,15	1010	340
26300	5,47	898	320

P2C 176

Mn ₂ [Nm]	i	Pn ₁ [kW]	n ₂ [rpm]
8130	6,29	247	278
8510	7,21	225	243
8510	7,89	206	222
8510	8,65	188	202
7980	10,0	152	175
8060	11,1	139	158
8510	12,3	132	142
8510	13,8	118	127
8510	15,6	104	112
7980	17,5	87,1	100
8510	19,5	83,2	89,6
8280	22,0	71,9	79,5

P2C 216

Mn ₂ [Nm]	i	Pn ₁ [kW]	n ₂ [rpm]
15400	6,09	484	287
15400	7,05	418	248
15400	7,80	378	224
15400	8,66	340	202
15400	9,66	305	181
15400	10,6	277	164
15400	11,8	248	148
15400	13,9	211	126
15400	15,7	187	111
14400	17,6	157	99,4
14400	19,7	140	88,6
15000	21,0	137	83,4

P2C 266

Mn ₂ [Nm]	i	Pn ₁ [kW]	n ₂ [rpm]
25600	6,26	781	280
25600	7,25	675	241
25600	8,02	610	218
25600	8,90	549	197
25600	9,93	492	176
25600	11,1	439	157
25600	12,6	389	139
25600	14,2	345	124
25600	16,0	306	110
25600	18,2	269	96,1
25600	19,3	253	90,6
25200	21,9	219	79,9

P2C 196

Mn ₂ [Nm]	i	Pn ₁ [kW]	n ₂ [rpm]
10300	7,79	251	225
10900	8,94	234	196
10900	9,78	214	179
10900	10,7	195	163
10300	12,4	158	141
10300	13,7	143	127
10900	15,3	137	115
10900	17,1	122	102
10900	19,3	108	90,6
10300	21,7	90,3	80,7
10900	24,2	85,7	72,3
10600	27,3	73,9	64,2

P2C 246

Mn ₂ [Nm]	i	Pn ₁ [kW]	n ₂ [rpm]
19500	7,68	484	228
19500	8,89	418	197
19500	9,83	378	178
19500	10,9	340	160
19500	12,2	305	144
19500	13,4	277	130
19400	14,9	248	118
19500	17,6	211	99,6
19500	19,8	187	88,3
18200	22,2	157	78,9
18200	24,9	140	70,3
19000	26,5	137	66,1

P2C 276

Mn ₂ [Nm]	i	Pn ₁ [kW]	n ₂ [rpm]
32100	7,85	780	223
32100	9,09	674	193
32100	10,1	609	174
32100	11,2	548	157
32100	12,5	492	141
32100	14,0	438	125
32100	15,8	388	111
32100	17,7	345	98,6
32100	20,0	306	87,4
32100	22,8	268	76,7
32100	24,2	253	72,3
31600	27,5	220	63,7

P2C 316

Mn ₂ [Nm]	i	Pn ₁ [kW]	n ₂ [rpm]
45100	6,25	1380	280
45100	6,90	1250	254
45100	7,64	1130	229
45100	8,97	959	195
45100	10,0	856	174
45100	10,9	790	161
45100	12,2	707	144
45100	13,7	628	128
45100	15,6	553	112
45100	17,1	503	102
45100	19,7	437	88,8
44300	21,5	394	81,4

P2C 396

Mn ₂ [Nm]	i	Pn ₁ [kW]	n ₂ [rpm]
65400	7,10	1760	246
65400	7,89	1580	222
65400	8,80	1420	199
65400	9,86	1270	177
65400	10,8	1150	162
65400	12,7	986	138
65400	14,2	881	124
65400	16,0	781	110
65400	17,3	722	101
65400	19,5	639	89,7
65400	66,4	188	26,4

P2C 346

Mn ₂ [Nm]	i	Pn ₁ [kW]	n ₂ [rpm]
56100	7,94	1350	220
56100	8,77	1220	199
56100	9,72	1100	180
56100	11,4	938	153
56100	12,8	838	137
56100	13,8	773	126
56100	15,5	692	113
56100	17,4	614	100
56100	19,8	541	88,5
56100	21,8	492	80,4
56100	24,3	441	72,2
55100	27,3	385	64,0

P2C 406

Mn ₂ [Nm]	i	Pn ₁ [kW]	n ₂ [rpm]
81300	7,94	1950	220
81300	8,80	1760	199
81300	9,78	1590	179
81300	10,9	1420	160
81300	12,2	1270	143
81300	13,4	1160	131
81300	15,7	990	112
81300	17,6	884	99,7
81300	19,8	784	88,4
81300	21,4	725	81,7
81300	24,2	642	72,4

P3C 176

Mn ₂ [Nm]	i	Pn ₁ [kW]	n ₂ [rpm]
8820	25,0	68,7	70,0
8820	28,5	60,3	61,4
8820	31,2	55,2	56,2
8820	34,2	50,3	51,2
8820	39,5	43,5	44,3
8820	43,7	39,3	40,0
8820	48,7	35,3	35,9
8820	54,5	31,5	32,1
8820	61,5	27,9	28,4
8820	69,7	24,6	25,1
8820	78,7	21,8	22,2
8820	86,8	19,8	20,2

P3C 216

Mn ₂ [Nm]	i	Pn ₁ [kW]	n ₂ [rpm]
16500	25,5	126	68,5
16500	27,7	116	63,2
16500	31,4	102	55,7
16500	34,3	93,8	51,0
16500	39,3	81,8	44,5
16500	43,2	74,4	40,5
16500	50,3	63,9	34,8
16500	56,0	57,4	31,2
16500	62,9	51,1	27,8
16500	71,1	45,2	24,6
16500	78,6	40,9	22,3
15200	89,1	33,3	19,6

P3C 266

Mn ₂ [Nm]	i	Pn ₁ [kW]	n ₂ [rpm]
27100	25,4	208	68,8
27100	29,2	181	60,0
27100	31,9	166	54,8
27100	35,0	151	50,0
27100	40,5	131	43,2
27100	44,8	118	39,0
27100	49,9	106	35,1
27100	55,9	94,7	31,3
27100	63,0	83,9	27,8
27100	70,8	74,7	24,7
27100	79,0	66,9	22,1
26200	89,1	57,4	19,7

P3C 196

Mn ₂ [Nm]	i	Pn ₁ [kW]	n ₂ [rpm]
11800	31,0	74,1	56,5
11800	35,3	65,0	49,6
11800	38,6	59,5	45,3
11800	42,4	54,2	41,3
11800	49,0	46,9	35,7
11800	54,2	42,4	32,3
11800	60,3	38,1	29,0
11800	67,6	34,0	25,9
11800	76,3	30,1	22,9
11800	86,4	26,6	20,2
11000	97,6	22,0	17,9
11400	108	20,7	16,3

P3C 246

Mn ₂ [Nm]	i	Pn ₁ [kW]	n ₂ [rpm]
20700	32,2	125	54,3
20700	34,9	115	50,1
20700	39,6	102	44,2
20700	43,2	93,2	40,5
20700	49,5	81,3	35,3
20700	54,5	73,9	32,1
20700	63,4	63,5	27,6
20700	70,7	57,0	24,8
20700	79,3	50,8	22,1
20700	89,7	44,9	19,5
20700	99,1	40,7	17,7
19200	112	33,2	15,6

P3C 276

Mn ₂ [Nm]	i	Pn ₁ [kW]	n ₂ [rpm]
33300	31,9	203	54,9
33300	36,6	177	47,8
33300	40,0	162	43,7
33300	43,9	148	39,9
33300	50,7	128	34,5
33300	56,2	115	31,1
33300	62,5	104	28,0
33300	70,0	92,6	25,0
33300	79,0	82,1	22,1
33300	88,7	73,1	19,7
33300	99,1	65,5	17,7
32500	112	56,8	15,7

P3C 316

Mn ₂ [Nm]	i	Pn ₁ [kW]	n ₂ [rpm]
48300	24,7	381	70,8
48300	28,6	329	61,2
48300	31,6	297	55,3
48300	35,1	268	49,8
48300	39,2	240	44,6
48300	43,2	218	40,5
48300	47,9	196	36,5
48300	56,6	166	30,9
48300	63,8	148	27,4
48300	71,4	132	24,5
48300	80,1	117	21,8
48300	85,1	110	20,6

P3C 396

Mn ₂ [Nm]	i	Pn ₁ [kW]	n ₂ [rpm]
66900	22,0	592	79,5
66900	25,4	514	69,0
66900	29,4	444	59,6
66900	32,5	401	53,8
66900	36,1	361	48,5
66900	40,3	324	43,5
66900	45,1	289	38,8
66900	51,0	256	34,3
66900	57,4	227	30,5
66900	64,7	202	27,0
66900	73,8	177	23,7
66900	78,3	167	22,4
66900	88,8	147	19,7

P3C 346

Mn ₂ [Nm]	i	Pn ₁ [kW]	n ₂ [rpm]
58700	31,4	364	55,7
58700	36,4	315	48,1
58700	40,2	284	43,5
58700	44,7	256	39,2
58700	49,8	229	35,1
58700	54,9	208	31,9
58700	60,9	188	28,7
58700	71,9	159	24,3
58700	81,1	141	21,6
58700	90,8	126	19,3
58700	102	112	17,2
58700	108	106	16,2

P3C 406

Mn ₂ [Nm]	i	Pn ₁ [kW]	n ₂ [rpm]
82800	27,3	592	64,1
82800	31,4	514	55,6
82800	36,4	444	48,1
82800	40,3	401	43,4
82800	44,7	361	39,1
82800	49,9	324	35,1
82800	56,0	289	31,3
82800	63,2	256	27,7
82800	71,1	227	24,6
82800	80,2	201	21,8
82800	91,5	177	19,1
82800	97,0	166	18,0
82800	110	147	15,9

P4C 216

Mn ₂ [Nm]	i	Pn ₁ [kW]	n ₂ [rpm]
16500	102	32,3	17,2
16500	115	28,5	15,2
16500	126	26,1	13,9
16500	144	22,8	12,2
16500	158	20,8	11,1
16500	175	18,8	10,0
16500	194	17,0	9,04
16500	229	14,4	7,66
16500	258	12,7	6,79
16500	289	11,4	6,06
16500	305	10,8	5,73
14900	344	8,62	5,09

P4C 266

Mn ₂ [Nm]	i	Pn ₁ [kW]	n ₂ [rpm]
27100	101	53,4	17,3
27100	115	46,9	15,2
27100	126	42,9	13,9
27100	138	39,1	12,7
27100	160	33,8	10,9
27100	177	30,5	9,89
27100	197	27,4	8,88
27100	221	24,5	7,93
27100	249	21,7	7,03
27100	282	19,1	6,20
27100	319	17,0	5,49
27100	351	15,4	4,98

P4C 316

Mn ₂ [Nm]	i	Pn ₁ [kW]	n ₂ [rpm]
46800	104	90,0	16,9
46800	112	82,9	15,6
46800	128	73,1	13,7
46800	139	67,0	12,6
46800	159	58,5	11,0
46800	175	53,2	9,98
46800	204	45,7	8,57
46800	227	41,0	7,70
46800	255	36,6	6,86
46800	289	32,3	6,06
46800	319	29,2	5,49
46800	361	25,8	4,84

P4C 246

Mn ₂ [Nm]	i	Pn ₁ [kW]	n ₂ [rpm]
20700	128	32,2	13,7
20700	145	28,3	12,0
20700	159	26,0	11,0
20700	182	22,7	9,64
20700	200	20,6	8,77
20700	220	18,7	7,95
20700	244	16,9	7,17
20700	288	14,3	6,07
20700	325	12,7	5,38
20700	364	11,3	4,81
20700	385	10,7	4,55
19200	434	8,83	4,03

P4C 276

Mn ₂ [Nm]	i	Pn ₁ [kW]	n ₂ [rpm]
33600	127	52,7	13,8
33600	145	46,3	12,1
33600	158	42,3	11,1
33600	173	38,6	10,1
33600	200	33,4	8,73
33600	222	30,1	7,89
33600	247	27,1	7,08
33600	277	24,2	6,33
33600	312	21,4	5,60
33600	354	18,9	4,95
33600	399	16,8	4,38
32500	440	14,7	3,97

P4C 346

Mn ₂ [Nm]	i	Pn ₁ [kW]	n ₂ [rpm]
59300	132	89,6	13,3
59300	143	82,6	12,2
59300	162	72,8	10,8
59300	177	66,7	9,89
59300	203	58,2	8,63
59300	223	52,9	7,85
59300	259	45,5	6,74
59300	289	40,8	6,05
59300	324	36,4	5,40
59300	367	32,2	4,77
59300	405	29,1	4,32
59300	460	25,7	3,81

P4C 396

Mn ₂ [Nm]	i	Pn ₁ [kW]	n ₂ [rpm]
68900	103	133	17,0
68900	118	116	14,8
68900	129	106	13,5
68900	142	96,7	12,3
68900	164	83,7	10,7
68900	182	75,6	9,63
68900	202	67,9	8,66
68900	226	60,6	7,73
68900	256	53,7	6,85
68900	287	47,9	6,10
68900	320	42,9	5,46
68900	361	38,0	4,85

P4C 406

Mn ₂ [Nm]	i	Pn ₁ [kW]	n ₂ [rpm]
85900	128	134	13,7
85900	147	117	11,9
85900	160	107	10,9
85900	176	97,2	9,95
85900	203	84,1	8,61
85900	225	76,0	7,77
85900	251	68,3	6,98
85900	281	60,9	6,24
85900	317	54,0	5,52
85900	356	48,1	4,92
85900	397	43,1	4,41
85900	447	38,2	3,91

P1C 176

Mn ₂ [Nm]	i	Pn ₁ [kW]	n ₂ [rpm]
6400	1,26	762	1110
6720	1,38	729	1020
6880	1,59	648	882
7040	1,84	573	761
7520	2,03	553	688
7680	2,26	509	620
7680	2,52	456	556
7680	2,83	407	495
7680	3,19	360	439
7600	3,59	317	390
7680	4,06	283	345
6160	4,62	199	303
5760	4,90	176	286
5520	5,56	149	252

P1C 266

Mn ₂ [Nm]	i	Pn ₁ [kW]	n ₂ [rpm]
19800	1,27	2330	1100
20100	1,40	2150	1000
21700	1,63	2000	862
22400	1,80	1860	778
23000	2,00	1720	700
23000	2,23	1540	628
23000	2,50	1370	560
21800	2,74	1190	511
22500	3,21	1050	436
22900	3,59	953	390
23000	4,05	848	346
19700	4,38	672	320
18800	4,96	567	282
16100	5,68	423	246

P1C 396

Mn ₂ [Nm]	i	Pn ₁ [kW]	n ₂ [rpm]
53900	1,59	5080	882
56700	1,84	4610	761
58300	2,03	4290	688
60200	2,26	3980	620
61600	2,52	3660	556
61600	2,93	3150	478
58500	3,21	2730	436
59500	3,59	2480	390
60600	4,05	2240	346
49300	4,62	1600	303
46600	4,90	1420	286
44300	5,56	1190	252

P1C 216

Mn ₂ [Nm]	i	Pn ₁ [kW]	n ₂ [rpm]
12200	1,26	1440	1110
12300	1,39	1330	1010
13000	1,61	1210	872
13900	1,77	1170	789
14200	1,97	1080	712
14200	2,31	923	607
14200	2,58	825	542
13700	2,80	731	500
13900	3,13	665	447
14200	3,52	604	397
14200	4,00	533	350
12600	4,40	430	318
11000	4,91	337	285
10500	5,53	284	253

P1C 316

Mn ₂ [Nm]	i	Pn ₁ [kW]	n ₂ [rpm]
36800	1,64	3360	856
38100	1,81	3150	775
39300	2,00	2940	700
40500	2,22	2730	630
40500	2,48	2440	565
40500	2,78	2180	503
38500	3,08	1870	455
40200	3,48	1730	403
40500	3,91	1550	359
36800	4,42	1250	317
31000	5,15	899	272
29200	5,47	798	256

P2C 176

Mn ₂ [Nm]	i	Pn ₁ [kW]	n ₂ [rpm]
8560	6,29	208	223
8960	7,21	190	194
8960	7,89	173	177
8960	8,65	158	162
8400	10,0	128	140
8480	11,1	117	126
8960	12,3	111	114
8960	13,8	99,1	101
8960	15,6	87,8	89,9
8400	17,5	73,3	80,0
8960	19,5	70,0	71,7
8720	22,0	60,5	63,6

P2C 216

Mn ₂ [Nm]	i	Pn ₁ [kW]	n ₂ [rpm]
16200	6,09	407	230
16200	7,05	352	199
16200	7,80	318	180
16200	8,66	286	162
16200	9,66	257	145
16200	10,6	233	131
16200	11,8	209	119
16200	13,9	178	100
16200	15,7	158	89,1
15200	17,6	132	79,6
15200	19,7	118	70,9
15800	21,0	115	66,7

P2C 266

Mn ₂ [Nm]	i	Pn ₁ [kW]	n ₂ [rpm]
27000	6,26	658	224
27000	7,25	568	193
27000	8,02	513	175
27000	8,90	462	157
27000	9,93	415	141
27000	11,1	370	126
27000	12,6	327	111
27000	14,2	291	98,9
27000	16,0	258	87,7
27000	18,2	226	76,9
27000	19,3	213	72,5
26500	21,9	185	63,9

P2C 196

Mn ₂ [Nm]	i	Pn ₁ [kW]	n ₂ [rpm]
10800	7,79	212	180
11500	8,94	197	157
11500	9,78	180	143
11500	10,7	164	131
10800	12,4	133	113
10800	13,7	120	102
11500	15,3	115	91,6
11500	17,1	103	81,8
11500	19,3	91,1	72,5
10800	21,7	76,1	64,6
11400	24,2	72,2	57,8
11100	27,3	62,3	51,3

P2C 246

Mn ₂ [Nm]	i	Pn ₁ [kW]	n ₂ [rpm]
20500	7,68	407	182
20500	8,89	352	158
20500	9,83	318	142
20500	10,9	286	128
20500	12,2	257	115
20500	13,4	233	104
20400	14,9	209	94,0
20500	17,6	178	79,7
20500	19,8	158	70,6
19200	22,2	132	63,1
19200	24,9	118	56,2
20000	26,5	115	52,9

P2C 276

Mn ₂ [Nm]	i	Pn ₁ [kW]	n ₂ [rpm]
33800	7,85	657	178
33800	9,09	567	154
33800	10,1	513	139
33800	11,2	462	125
33800	12,5	414	112
33800	14,0	369	100
33800	15,8	327	88,8
33800	17,7	291	78,9
33800	20,0	258	70,0
33800	22,8	226	61,3
33800	24,2	213	57,8
33300	27,5	185	51,0

P2C 316

Mn ₂ [Nm]	i	Pn ₁ [kW]	n ₂ [rpm]
47400	6,25	1160	224
47400	6,90	1050	203
47400	7,64	948	183
47400	8,97	807	156
47400	10,0	721	139
47400	10,9	665	129
47400	12,2	595	115
47400	13,7	529	102
47400	15,6	466	90,0
47400	17,1	423	81,8
47400	19,7	368	71,1
46600	21,5	331	65,1

P2C 396

Mn ₂ [Nm]	i	Pn ₁ [kW]	n ₂ [rpm]
68800	7,10	1480	197
68800	7,89	1330	177
68800	8,80	1190	159
68800	9,86	1070	142
68800	10,8	972	129
68800	12,7	830	111
68800	14,2	742	98,8
68800	16,0	658	87,6
68800	17,3	608	81,0
68800	19,5	538	71,7
68800	66,4	158	21,1

P2C 346

Mn ₂ [Nm]	i	Pn ₁ [kW]	n ₂ [rpm]
59000	7,94	1140	176
59000	8,77	1030	160
59000	9,72	928	144
59000	11,4	790	123
59000	12,8	706	110
59000	13,8	651	101
59000	15,5	582	90,5
59000	17,4	517	80,4
59000	19,8	456	70,8
59000	21,8	414	64,4
59000	24,3	372	57,7
58000	27,3	324	51,2

P2C 406

Mn ₂ [Nm]	i	Pn ₁ [kW]	n ₂ [rpm]
85600	7,94	1650	176
85600	8,80	1490	159
85600	9,78	1340	143
85600	10,9	1200	128
85600	12,2	1070	115
85600	13,4	976	104
85600	15,7	833	89,3
85600	17,6	745	79,7
85600	19,8	660	70,7
85600	21,4	610	65,4
85600	24,2	540	57,9

P3C 176

Mn ₂ [Nm]	i	Pn ₁ [kW]	n ₂ [rpm]
9280	25,0	57,9	56,0
9280	28,5	50,8	49,1
9280	31,2	46,4	44,9
9280	34,2	42,3	41,0
9280	39,5	36,6	35,4
9280	43,7	33,1	32,0
9280	48,7	29,7	28,8
9280	54,5	26,5	25,7
9280	61,5	23,5	22,7
9280	69,7	20,8	20,1
9280	78,7	18,4	17,8
9280	86,8	16,7	16,1

P3C 216

Mn ₂ [Nm]	i	Pn ₁ [kW]	n ₂ [rpm]
17400	25,5	106	54,8
17400	27,7	97,7	50,5
17400	31,4	86,1	44,5
17400	34,3	79,0	40,8
17400	39,3	68,9	35,6
17400	43,2	62,6	32,4
17400	50,3	53,8	27,8
17400	56,0	48,3	25,0
17400	62,9	43,1	22,3
17400	71,1	38,1	19,7
17400	78,6	34,5	17,8
16000	89,1	28,0	15,7

P3C 266

Mn ₂ [Nm]	i	Pn ₁ [kW]	n ₂ [rpm]
28600	25,4	175	55,0
28600	29,2	153	48,0
28600	31,9	140	43,9
28600	35,0	127	40,0
28600	40,5	110	34,6
28600	44,8	99,4	31,2
28600	49,9	89,3	28,1
28600	55,9	79,7	25,1
28600	63,0	70,6	22,2
28600	70,8	62,9	19,8
28600	79,0	56,3	17,7
27600	89,1	48,3	15,7

P3C 196

Mn ₂ [Nm]	i	Pn ₁ [kW]	n ₂ [rpm]
12400	31,0	62,4	45,2
12400	35,3	54,8	39,6
12400	38,6	50,1	36,2
12400	42,4	45,7	33,1
12400	49,0	39,5	28,6
12400	54,2	35,7	25,8
12400	60,3	32,0	23,2
12400	67,6	28,6	20,7
12400	76,3	25,4	18,4
12400	86,4	22,4	16,2
11600	97,6	18,5	14,3
12000	108	17,4	13,0

P3C 246

Mn ₂ [Nm]	i	Pn ₁ [kW]	n ₂ [rpm]
21800	32,2	105	43,5
21800	34,9	97,1	40,1
21800	39,6	85,6	35,3
21800	43,2	78,5	32,4
21800	49,5	68,5	28,3
21800	54,5	62,3	25,7
21800	63,4	53,5	22,1
21800	70,7	48,0	19,8
21800	79,3	42,8	17,7
21800	89,7	37,8	15,6
21800	99,1	34,2	14,1
20200	112	28,0	12,5

P3C 276

Mn ₂ [Nm]	i	Pn ₁ [kW]	n ₂ [rpm]
35000	31,9	171	43,9
35000	36,6	149	38,3
35000	40,0	137	35,0
35000	43,9	124	31,9
35000	50,7	108	27,6
35000	56,2	97,3	24,9
35000	62,5	87,4	22,4
35000	70,0	78,0	20,0
35000	79,0	69,1	17,7
35000	88,7	61,6	15,8
35000	99,1	55,1	14,1
34200	112	47,8	12,5

P3C 316

Mn ₂ [Nm]	i	Pn ₁ [kW]	n ₂ [rpm]
50800	24,7	321	56,7
50800	28,6	277	48,9
50800	31,6	250	44,2
50800	35,1	225	39,8
50800	39,2	202	35,7
50800	43,2	183	32,4
50800	47,9	165	29,2
50800	56,6	140	24,7
50800	63,8	124	22,0
50800	71,4	111	19,6
50800	80,1	98,9	17,5
50800	85,1	93,0	16,4

P3C 396

Mn ₂ [Nm]	i	Pn ₁ [kW]	n ₂ [rpm]
70400	22,0	499	63,6
70400	25,4	433	55,2
70400	29,4	374	47,7
70400	32,5	338	43,1
70400	36,1	304	38,8
70400	40,3	273	34,8
70400	45,1	243	31,0
70400	51,0	215	27,5
70400	57,4	191	24,4
70400	64,7	170	21,6
70400	73,8	149	19,0
70400	78,3	140	17,9
70400	88,8	124	15,8

P3C 346

Mn ₂ [Nm]	i	Pn ₁ [kW]	n ₂ [rpm]
61800	31,4	307	44,6
61800	36,4	265	38,5
61800	40,2	239	34,8
61800	44,7	216	31,3
61800	49,8	193	28,1
61800	54,9	175	25,5
61800	60,9	158	23,0
61800	71,9	134	19,5
61800	81,1	119	17,3
61800	90,8	106	15,4
61800	102	94,6	13,7
61800	108	89,0	12,9

P3C 406

Mn ₂ [Nm]	i	Pn ₁ [kW]	n ₂ [rpm]
87200	27,3	498	51,3
87200	31,4	432	44,5
87200	36,4	374	38,5
87200	40,3	338	34,8
87200	44,7	304	31,3
87200	49,9	273	28,1
87200	56,0	243	25,0
87200	63,2	215	22,2
87200	71,1	191	19,7
87200	80,2	170	17,5
87200	91,5	149	15,3
87200	97,0	140	14,4
87200	110	124	12,7

P4C 216

Mn ₂ [Nm]	i	Pn ₁ [kW]	n ₂ [rpm]
17400	102	27,2	13,8
17400	115	24,0	12,1
17400	126	22,0	11,1
17400	144	19,2	9,72
17400	158	17,5	8,85
17400	175	15,8	8,02
17400	194	14,3	7,23
17400	229	12,1	6,12
17400	258	10,7	5,43
17400	289	9,58	4,85
17400	305	9,06	4,58
15700	344	7,26	4,07

P4C 266

Mn ₂ [Nm]	i	Pn ₁ [kW]	n ₂ [rpm]
28600	101	45,0	13,8
28600	115	39,5	12,1
28600	126	36,1	11,1
28600	138	32,9	10,1
28600	160	28,5	8,76
28600	177	25,7	7,91
28600	197	23,1	7,11
28600	221	20,6	6,34
28600	249	18,3	5,62
28600	282	16,1	4,96
28600	319	14,3	4,39
28600	351	13,0	3,99

P4C 316

Mn ₂ [Nm]	i	Pn ₁ [kW]	n ₂ [rpm]
49300	104	75,8	13,5
49300	112	69,8	12,4
49300	128	61,6	11,0
49300	139	56,4	10,1
49300	159	49,2	8,78
49300	175	44,8	7,98
49300	204	38,5	6,86
49300	227	34,5	6,16
49300	255	30,8	5,49
49300	289	27,2	4,85
49300	319	24,6	4,39
49300	361	21,7	3,87

P4C 246

Mn ₂ [Nm]	i	Pn ₁ [kW]	n ₂ [rpm]
21800	128	27,1	10,9
21800	145	23,9	9,63
21800	159	21,9	8,83
21800	182	19,1	7,71
21800	200	17,4	7,02
21800	220	15,7	6,36
21800	244	14,2	5,73
21800	288	12,0	4,86
21800	325	10,7	4,31
21800	364	9,53	3,85
21800	385	9,01	3,64
20200	434	7,43	3,23

P4C 276

Mn ₂ [Nm]	i	Pn ₁ [kW]	n ₂ [rpm]
35400	127	44,4	11,0
35400	145	39,0	9,69
35400	158	35,6	8,86
35400	173	32,5	8,07
35400	200	28,1	6,98
35400	222	25,4	6,31
35400	247	22,8	5,67
35400	277	20,4	5,06
35400	312	18,0	4,48
35400	354	15,9	3,96
35400	399	14,1	3,51
34200	440	12,4	3,18

P4C 346

Mn ₂ [Nm]	i	Pn ₁ [kW]	n ₂ [rpm]
62400	132	75,5	10,6
62400	143	69,5	9,79
62400	162	61,3	8,63
62400	177	56,2	7,91
62400	203	49,0	6,91
62400	223	44,6	6,28
62400	259	38,3	5,40
62400	289	34,4	4,84
62400	324	30,7	4,32
62400	367	27,1	3,81
62400	405	24,5	3,45
62400	460	21,6	3,05

P4C 396

Mn ₂ [Nm]	i	Pn ₁ [kW]	n ₂ [rpm]
72600	103	112	13,6
72600	118	97,7	11,8
72600	129	89,4	10,8
72600	142	81,5	9,86
72600	164	70,5	8,53
72600	182	63,6	7,71
72600	202	57,2	6,92
72600	226	51,1	6,18
72600	256	45,2	5,48
72600	287	40,3	4,88
72600	320	36,1	4,37
72600	361	32,0	3,88

P4C 406

Mn ₂ [Nm]	i	Pn ₁ [kW]	n ₂ [rpm]
90400	128	113	11,0
90400	147	98,2	9,55
90400	160	89,8	8,73
90400	176	81,9	7,96
90400	203	70,8	6,89
90400	225	64,0	6,22
90400	251	57,5	5,59
90400	281	51,3	4,99
90400	317	45,5	4,42
90400	356	40,5	3,94
90400	397	36,3	3,53
90400	447	32,2	3,13

P1C 176

Mn ₂ [Nm]	i	Pn ₁ [kW]	n ₂ [rpm]
6530	1,26	633	908
6850	1,38	606	827
7020	1,59	538	718
7180	1,84	476	620
7670	2,03	459	560
7830	2,26	422	505
7830	2,52	379	452
7830	2,83	338	403
7830	3,19	299	357
7750	3,59	263	317
7830	4,06	235	281
6280	4,62	166	247
5880	4,90	146	233
5630	5,56	123	205

P1C 266

Mn ₂ [Nm]	i	Pn ₁ [kW]	n ₂ [rpm]
20200	1,27	1930	898
20500	1,40	1790	814
22100	1,63	1660	702
22800	1,80	1550	633
23400	2,00	1430	570
23400	2,23	1280	511
23400	2,50	1140	456
22200	2,74	986	416
22900	3,21	871	355
23300	3,59	792	317
23400	4,05	704	281
20100	4,38	558	260
19200	4,96	471	230
16400	5,68	351	201

P1C 396

Mn ₂ [Nm]	i	Pn ₁ [kW]	n ₂ [rpm]
55000	1,59	4220	718
57900	1,84	3830	620
59500	2,03	3560	560
61400	2,26	3310	505
62800	2,52	3040	452
62800	2,93	2620	390
59600	3,21	2260	355
60700	3,59	2060	317
61800	4,05	1860	281
50300	4,62	1330	247
47600	4,90	1180	233
45200	5,56	991	205

P1C 216

Mn ₂ [Nm]	i	Pn ₁ [kW]	n ₂ [rpm]
12400	1,26	1200	903
12600	1,39	1100	821
13300	1,61	1010	710
14200	1,77	975	643
14500	1,97	900	580
14500	2,31	767	494
14500	2,58	685	441
14000	2,80	607	407
14200	3,13	553	364
14500	3,52	502	323
14500	4,00	442	285
12900	4,40	357	259
11300	4,91	280	232
10700	5,53	236	206

P1C 316

Mn ₂ [Nm]	i	Pn ₁ [kW]	n ₂ [rpm]
37500	1,64	2790	697
38800	1,81	2620	631
40100	2,00	2440	570
41300	2,22	2260	513
41300	2,48	2030	460
41300	2,78	1810	410
39200	3,08	1550	370
41000	3,48	1430	328
41300	3,91	1290	292
37500	4,42	1030	258
31600	5,15	747	221
29800	5,47	663	208

P2C 176

Mn ₂ [Nm]	i	Pn ₁ [kW]	n ₂ [rpm]
8730	6,29	173	181
9140	7,21	158	158
9140	7,89	144	145
9140	8,65	131	132
8570	10,0	107	114
8650	11,1	97,1	103
9140	12,3	92,2	92,5
9140	13,8	82,3	82,6
9140	15,6	72,9	73,2
8570	17,5	60,9	65,2
9140	19,5	58,2	58,4
8890	22,0	50,3	51,8

P2C 216

Mn ₂ [Nm]	i	Pn ₁ [kW]	n ₂ [rpm]
16600	6,09	338	187
16600	7,05	292	162
16600	7,80	264	146
16600	8,66	238	132
16600	9,66	213	118
16600	10,6	193	107
16500	11,8	174	96,6
16600	13,9	148	81,8
16600	15,7	131	72,5
15500	17,6	110	64,8
15500	19,7	97,7	57,7
16200	21,0	95,7	54,3

P2C 266

Mn ₂ [Nm]	i	Pn ₁ [kW]	n ₂ [rpm]
27500	6,26	546	182
27500	7,25	472	157
27500	8,02	426	142
27500	8,90	384	128
27500	9,93	344	115
27500	11,1	307	102
27500	12,6	272	90,7
27500	14,2	242	80,6
27500	16,0	214	71,4
27500	18,2	188	62,6
27500	19,3	177	59,0
27000	21,9	153	52,1

P2C 196

Mn ₂ [Nm]	i	Pn ₁ [kW]	n ₂ [rpm]
11000	7,79	176	146
11800	8,94	163	128
11800	9,78	149	117
11800	10,7	136	106
11000	12,4	110	92,0
11000	13,7	99,8	83,1
11800	15,3	95,6	74,6
11800	17,1	85,4	66,6
11800	19,3	75,7	59,0
11000	21,7	63,2	52,6
11700	24,2	59,9	47,1
11300	27,3	51,7	41,8

P2C 246

Mn ₂ [Nm]	i	Pn ₁ [kW]	n ₂ [rpm]
20900	7,68	338	149
20900	8,89	292	128
20900	9,83	264	116
20900	10,9	238	104
20900	12,2	213	93,6
20900	13,4	193	84,9
20800	14,9	174	76,6
20900	17,6	148	64,9
20900	19,8	131	57,5
19600	22,2	110	51,4
19600	24,9	97,8	45,8
20400	26,5	95,9	43,1

P2C 276

Mn ₂ [Nm]	i	Pn ₁ [kW]	n ₂ [rpm]
34400	7,85	546	145
34400	9,09	471	125
34400	10,1	426	113
34400	11,2	384	102
34400	12,5	344	91,6
34400	14,0	307	81,6
34400	15,8	272	72,3
34400	17,7	241	64,3
34400	20,0	214	57,0
34400	22,8	188	49,9
34400	24,2	177	47,1
33900	27,5	154	41,5

P2C 316

Mn ₂ [Nm]	i	Pn ₁ [kW]	n ₂ [rpm]
48400	6,25	963	183
48400	6,90	872	165
48400	7,64	787	149
48400	8,97	670	127
48400	10,0	599	113
48400	10,9	553	105
48400	12,2	494	93,6
48400	13,7	439	83,2
48400	15,6	387	73,3
48400	17,1	352	66,6
48400	19,7	305	57,9
47600	21,5	275	53,0

P2C 396

Mn ₂ [Nm]	i	Pn ₁ [kW]	n ₂ [rpm]
70200	7,10	1230	161
70200	7,89	1110	145
70200	8,80	992	130
70200	9,86	885	116
70200	10,8	807	105
70200	12,7	690	90,1
70200	14,2	616	80,5
70200	16,0	546	71,4
70200	17,3	505	66,0
70200	19,5	447	58,4
70200	66,4	131	17,2

P2C 346

Mn ₂ [Nm]	i	Pn ₁ [kW]	n ₂ [rpm]
60200	7,94	943	144
60200	8,77	854	130
60200	9,72	771	117
60200	11,4	656	99,9
60200	12,8	586	89,3
60200	13,8	541	82,3
60200	15,5	484	73,7
60200	17,4	430	65,4
60200	19,8	379	57,6
60200	21,8	344	52,4
60200	24,3	309	47,0
59200	27,3	269	41,7

P2C 406

Mn ₂ [Nm]	i	Pn ₁ [kW]	n ₂ [rpm]
87300	7,94	1370	144
87300	8,80	1230	130
87300	9,78	1110	117
87300	10,9	995	105
87300	12,2	888	93,3
87300	13,4	810	85,1
87300	15,7	692	72,7
87300	17,6	618	64,9
87300	19,8	548	57,6
87300	21,4	507	53,2
87300	24,2	449	47,1

P3C 176

Mn ₂ [Nm]	i	Pn ₁ [kW]	n ₂ [rpm]
9470	25,0	48,1	45,6
9470	28,5	42,2	40,0
9470	31,2	38,6	36,6
9470	34,2	35,2	33,4
9470	39,5	30,4	28,9
9470	43,7	27,5	26,1
9470	48,7	24,7	23,4
9470	54,5	22,0	20,9
9470	61,5	19,5	18,5
9470	69,7	17,2	16,3
9470	78,7	15,3	14,5
9470	86,8	13,8	13,1

P3C 216

Mn ₂ [Nm]	i	Pn ₁ [kW]	n ₂ [rpm]
17700	25,5	88,0	44,6
17700	27,7	81,1	41,1
17700	31,4	71,5	36,3
17700	34,3	65,6	33,2
17700	39,3	57,2	29,0
17700	43,2	52,0	26,4
17700	50,3	44,7	22,7
17700	56,0	40,1	20,3
17700	62,9	35,8	18,1
17700	71,1	31,6	16,0
17700	78,6	28,6	14,5
16300	89,1	23,3	12,8

P3C 266

Mn ₂ [Nm]	i	Pn ₁ [kW]	n ₂ [rpm]
29100	25,4	145	44,8
29100	29,2	127	39,1
29100	31,9	116	35,7
29100	35,0	106	32,6
29100	40,5	91,4	28,2
29100	44,8	82,5	25,4
29100	49,9	74,2	22,9
29100	55,9	66,2	20,4
29100	63,0	58,7	18,1
29100	70,8	52,3	16,1
29100	79,0	46,8	14,4
28200	89,1	40,1	12,8

P3C 196

Mn ₂ [Nm]	i	Pn ₁ [kW]	n ₂ [rpm]
12600	31,0	51,8	36,8
12600	35,3	45,5	32,3
12600	38,6	41,6	29,5
12600	42,4	37,9	26,9
12600	49,0	32,8	23,3
12600	54,2	29,6	21,0
12600	60,3	26,6	18,9
12600	67,6	23,8	16,9
12600	76,3	21,1	14,9
12600	86,4	18,6	13,2
11800	97,6	15,4	11,7
12200	108	14,4	10,6

P3C 246

Mn ₂ [Nm]	i	Pn ₁ [kW]	n ₂ [rpm]
22200	32,2	87,5	35,4
22200	34,9	80,7	32,6
22200	39,6	71,1	28,8
22200	43,2	65,2	26,4
22200	49,5	56,9	23,0
22200	54,5	51,7	20,9
22200	63,4	44,4	18,0
22200	70,7	39,9	16,1
22200	79,3	35,6	14,4
22200	89,7	31,4	12,7
22200	99,1	28,4	11,5
20600	112	23,3	10,2

P3C 276

Mn ₂ [Nm]	i	Pn ₁ [kW]	n ₂ [rpm]
35700	31,9	142	35,7
35700	36,6	124	31,2
35700	40,0	113	28,5
35700	43,9	103	26,0
35700	50,7	89,4	22,5
35700	56,2	80,8	20,3
35700	62,5	72,6	18,2
35700	70,0	64,8	16,3
35700	79,0	57,4	14,4
35700	88,7	51,1	12,8
35700	99,1	45,8	11,5
34900	112	39,7	10,2

P3C 316

Mn ₂ [Nm]	i	Pn ₁ [kW]	n ₂ [rpm]
51800	24,7	266	46,1
51800	28,6	230	39,9
51800	31,6	208	36,0
51800	35,1	187	32,4
51800	39,2	168	29,1
51800	43,2	152	26,4
51800	47,9	137	23,8
51800	56,6	116	20,2
51800	63,8	103	17,9
51800	71,4	92,1	16,0
51800	80,1	82,1	14,2
51800	85,1	77,3	13,4

P3C 396

Mn ₂ [Nm]	i	Pn ₁ [kW]	n ₂ [rpm]
71800	22,0	414	51,8
71800	25,4	359	44,9
71800	29,4	310	38,8
71800	32,5	281	35,1
71800	36,1	253	31,6
71800	40,3	227	28,3
71800	45,1	202	25,3
71800	51,0	179	22,4
71800	57,4	159	19,9
71800	64,7	141	17,6
71800	73,8	124	15,4
71800	78,3	116	14,6
71800	88,8	103	12,8

P3C 346

Mn ₂ [Nm]	i	Pn ₁ [kW]	n ₂ [rpm]
63000	31,4	255	36,3
63000	36,4	220	31,3
63000	40,2	199	28,3
63000	44,7	179	25,5
63000	49,8	161	22,9
63000	54,9	146	20,8
63000	60,9	131	18,7
63000	71,9	111	15,9
63000	81,1	98,7	14,1
63000	90,8	88,1	12,6
63000	102	78,5	11,2
63000	108	73,9	10,5

P3C 406

Mn ₂ [Nm]	i	Pn ₁ [kW]	n ₂ [rpm]
88900	27,3	414	41,8
88900	31,4	359	36,3
88900	36,4	310	31,3
88900	40,3	280	28,3
88900	44,7	253	25,5
88900	49,9	226	22,8
88900	56,0	202	20,4
88900	63,2	179	18,0
88900	71,1	159	16,0
88900	80,2	141	14,2
88900	91,5	124	12,5
88900	97,0	116	11,8
88900	110	103	10,4

P4C 216

Mn ₂ [Nm]	i	Pn ₁ [kW]	n ₂ [rpm]
17700	102	22,6	11,2
17700	115	19,9	9,89
17700	126	18,3	9,07
17700	144	16,0	7,92
17700	158	14,5	7,20
17700	175	13,2	6,53
17700	194	11,9	5,89
17700	229	10,1	4,99
17700	258	8,91	4,42
17700	289	7,96	3,95
17700	305	7,52	3,73
16000	344	6,03	3,31

P4C 266

Mn ₂ [Nm]	i	Pn ₁ [kW]	n ₂ [rpm]
29100	101	37,3	11,3
29100	115	32,8	9,89
29100	126	30,0	9,04
29100	138	27,3	8,24
29100	160	23,6	7,13
29100	177	21,4	6,44
29100	197	19,2	5,79
29100	221	17,1	5,17
29100	249	15,2	4,58
29100	282	13,4	4,04
29100	319	11,9	3,58
29100	351	10,8	3,25

P4C 316

Mn ₂ [Nm]	i	Pn ₁ [kW]	n ₂ [rpm]
50300	104	62,9	11,0
50300	112	58,0	10,1
50300	128	51,1	8,94
50300	139	46,9	8,19
50300	159	40,9	7,15
50300	175	37,2	6,50
50300	204	32,0	5,59
50300	227	28,7	5,01
50300	255	25,6	4,47
50300	289	22,6	3,95
50300	319	20,5	3,57
50300	361	18,0	3,15

P4C 246

Mn ₂ [Nm]	i	Pn ₁ [kW]	n ₂ [rpm]
22200	128	22,5	8,90
22200	145	19,8	7,84
22200	159	18,2	7,19
22200	182	15,9	6,28
22200	200	14,4	5,71
22200	220	13,1	5,18
22200	244	11,8	4,67
22200	288	9,99	3,96
22200	325	8,86	3,51
22200	364	7,91	3,13
22200	385	7,48	2,96
20600	434	6,17	2,63

P4C 276

Mn ₂ [Nm]	i	Pn ₁ [kW]	n ₂ [rpm]
36100	127	36,9	8,98
36100	145	32,4	7,89
36100	158	29,6	7,21
36100	173	27,0	6,57
36100	200	23,3	5,69
36100	222	21,1	5,14
36100	247	18,9	4,62
36100	277	16,9	4,12
36100	312	15,0	3,65
36100	354	13,2	3,22
36100	399	11,7	2,85
34900	440	10,3	2,59

P4C 346

Mn ₂ [Nm]	i	Pn ₁ [kW]	n ₂ [rpm]
63600	132	62,7	8,65
63600	143	57,8	7,97
63600	162	50,9	7,03
63600	177	46,7	6,44
63600	203	40,7	5,62
63600	223	37,0	5,11
63600	259	31,8	4,39
63600	289	28,6	3,94
63600	324	25,5	3,51
63600	367	22,5	3,11
63600	405	20,4	2,81
63600	460	18,0	2,48

P4C 396

Mn ₂ [Nm]	i	Pn ₁ [kW]	n ₂ [rpm]
74000	103	93,1	11,1
74000	118	81,2	9,64
74000	129	74,2	8,81
74000	142	67,7	8,03
74000	164	58,5	6,95
74000	182	52,9	6,28
74000	202	47,5	5,64
74000	226	42,4	5,03
74000	256	37,6	4,46
74000	287	33,5	3,97
74000	320	30,0	3,56
74000	361	26,6	3,16

P4C 406

Mn ₂ [Nm]	i	Pn ₁ [kW]	n ₂ [rpm]
92200	128	93,6	8,92
92200	147	81,6	7,77
92200	160	74,6	7,11
92200	176	68,0	6,48
92200	203	58,8	5,61
92200	225	53,1	5,06
92200	251	47,7	4,55
92200	281	42,6	4,06
92200	317	37,8	3,60
92200	356	33,6	3,21
92200	397	30,1	2,87
92200	447	26,7	2,55

P1C 176

Mn ₂ [Nm]	i	Pn ₁ [kW]	n ₂ [rpm]
6660	1,26	510	717
6990	1,38	488	653
7160	1,59	433	567
7320	1,84	383	489
7820	2,03	370	442
7990	2,26	340	398
7990	2,52	305	357
7990	2,83	272	318
7990	3,19	241	282
7900	3,59	212	251
7990	4,06	189	222
6410	4,62	133	195
5990	4,90	118	184
5740	5,56	99,4	162

P1C 266

Mn ₂ [Nm]	i	Pn ₁ [kW]	n ₂ [rpm]
20600	1,27	1560	709
20900	1,40	1440	643
22500	1,63	1330	554
23300	1,80	1240	500
23900	2,00	1150	450
23900	2,23	1030	403
23900	2,50	918	360
22600	2,74	794	328
23400	3,21	701	281
23800	3,59	637	251
23900	4,05	567	222
20500	4,38	449	205
19600	4,96	379	182
16700	5,68	283	158

P1C 396

Mn ₂ [Nm]	i	Pn ₁ [kW]	n ₂ [rpm]
56100	1,59	3400	567
59000	1,84	3080	489
60700	2,03	2870	442
62600	2,26	2660	398
64100	2,52	2440	357
64100	2,93	2110	308
60800	3,21	1820	281
61900	3,59	1660	251
63000	4,05	1500	222
51300	4,62	1070	195
48500	4,90	952	184
46100	5,56	798	162

P1C 216

Mn ₂ [Nm]	i	Pn ₁ [kW]	n ₂ [rpm]
12600	1,26	963	713
12800	1,39	887	648
13600	1,61	812	560
14500	1,77	785	507
14800	1,97	724	458
14800	2,31	617	390
14800	2,58	551	348
14200	2,80	489	321
14500	3,13	445	288
14800	3,52	404	255
14800	4,00	356	225
13100	4,40	287	205
11500	4,91	225	183
10900	5,53	190	163

P1C 316

Mn ₂ [Nm]	i	Pn ₁ [kW]	n ₂ [rpm]
38300	1,64	2250	550
39600	1,81	2110	498
40900	2,00	1960	450
42100	2,22	1820	405
42100	2,48	1630	363
42100	2,78	1450	323
40000	3,08	1250	292
41800	3,48	1150	259
42100	3,91	1040	230
38300	4,42	832	204
32200	5,15	601	175
30400	5,47	533	164

P2C 176

Mn ₂ [Nm]	i	Pn ₁ [kW]	n ₂ [rpm]
8900	6,29	139	143
9320	7,21	127	125
9320	7,89	116	114
9320	8,65	106	104
8740	10,0	85,7	90,0
8820	11,1	78,2	81,3
9320	12,3	74,2	73,0
9320	13,8	66,3	65,2
9320	15,6	58,7	57,8
8740	17,5	49,0	51,4
9320	19,5	46,8	46,1
9070	22,0	40,5	40,9

P2C 216

Mn ₂ [Nm]	i	Pn ₁ [kW]	n ₂ [rpm]
16900	6,09	272	148
16900	7,05	235	128
16900	7,80	213	115
16900	8,66	191	104
16900	9,66	172	93,2
16900	10,6	156	84,5
16800	11,8	140	76,2
16900	13,9	119	64,6
16900	15,7	105	57,3
15800	17,6	88,2	51,1
15800	19,7	78,6	45,6
16500	21,0	77,1	42,9

P2C 266

Mn ₂ [Nm]	i	Pn ₁ [kW]	n ₂ [rpm]
28000	6,26	440	144
28000	7,25	380	124
28000	8,02	343	112
28000	8,90	309	101
28000	9,93	277	90,6
28000	11,1	247	80,8
28000	12,6	219	71,6
28000	14,2	194	63,6
28000	16,0	172	56,4
28000	18,2	151	49,4
28000	19,3	143	46,6
27500	21,9	123	41,1

P2C 196

Mn ₂ [Nm]	i	Pn ₁ [kW]	n ₂ [rpm]
11200	7,79	142	116
12000	8,94	132	101
12000	9,78	120	92,0
12000	10,7	110	83,9
11200	12,4	88,9	72,6
11200	13,7	80,3	65,6
12000	15,3	77,0	58,9
12000	17,1	68,7	52,6
12000	19,3	60,9	46,6
11200	21,7	50,9	41,5
11900	24,2	48,2	37,2
11600	27,3	41,6	33,0

P2C 246

Mn ₂ [Nm]	i	Pn ₁ [kW]	n ₂ [rpm]
21300	7,68	272	117
21300	8,89	235	101
21300	9,83	213	91,5
21300	10,9	191	82,4
21300	12,2	172	73,9
21300	13,4	156	67,0
21200	14,9	140	60,5
21300	17,6	119	51,2
21300	19,8	106	45,4
20000	22,2	88,3	40,6
20000	24,9	78,7	36,2
20800	26,5	77,2	34,0

P2C 276

Mn ₂ [Nm]	i	Pn ₁ [kW]	n ₂ [rpm]
35100	7,85	439	115
35100	9,09	379	99,1
35100	10,1	343	89,5
35100	11,2	309	80,6
35100	12,5	277	72,3
35100	14,0	247	64,5
35100	15,8	219	57,1
35100	17,7	194	50,7
35100	20,0	172	45,0
35100	22,8	151	39,4
35100	24,2	142	37,2
34600	27,5	124	32,8

P2C 316

Mn ₂ [Nm]	i	Pn ₁ [kW]	n ₂ [rpm]
49300	6,25	775	144
49300	6,90	702	130
49300	7,64	634	118
49300	8,97	540	100
49300	10,0	482	89,6
49300	10,9	445	82,7
49300	12,2	398	73,9
49300	13,7	353	65,7
49300	15,6	311	57,9
49300	17,1	283	52,6
49300	19,7	246	45,7
48500	21,5	222	41,9

P2C 396

Mn ₂ [Nm]	i	Pn ₁ [kW]	n ₂ [rpm]
71600	7,10	989	127
71600	7,89	890	114
71600	8,80	798	102
71600	9,86	712	91,3
71600	10,8	650	83,2
71600	12,7	555	71,1
71600	14,2	496	63,5
71600	16,0	440	56,3
71600	17,3	406	52,1
71600	19,5	360	46,1
71600	66,4	106	13,6

P2C 346

Mn ₂ [Nm]	i	Pn ₁ [kW]	n ₂ [rpm]
61400	7,94	759	113
61400	8,77	687	103
61400	9,72	620	92,6
61400	11,4	528	78,9
61400	12,8	472	70,5
61400	13,8	435	65,0
61400	15,5	389	58,1
61400	17,4	346	51,7
61400	19,8	305	45,5
61400	21,8	277	41,4
61400	24,3	249	37,1
60300	27,3	217	32,9

P2C 406

Mn ₂ [Nm]	i	Pn ₁ [kW]	n ₂ [rpm]
89000	7,94	1100	113
89000	8,80	993	102
89000	9,78	894	92,0
89000	10,9	801	82,5
89000	12,2	715	73,6
89000	13,4	652	67,2
89000	15,7	557	57,4
89000	17,6	498	51,3
89000	19,8	441	45,5
89000	21,4	408	42,0
89000	24,2	361	37,2

P3C 176

Mn ₂ [Nm]	i	Pn ₁ [kW]	n ₂ [rpm]
9650	25,0	38,7	36,0
9650	28,5	34,0	31,6
9650	31,2	31,1	28,9
9650	34,2	28,3	26,3
9650	39,5	24,5	22,8
9650	43,7	22,1	20,6
9650	48,7	19,9	18,5
9650	54,5	17,7	16,5
9650	61,5	15,7	14,6
9650	69,7	13,9	12,9
9650	78,7	12,3	11,4
9650	86,8	11,1	10,4

P3C 216

Mn ₂ [Nm]	i	Pn ₁ [kW]	n ₂ [rpm]
18100	25,5	70,9	35,2
18100	27,7	65,3	32,5
18100	31,4	57,6	28,6
18100	34,3	52,8	26,2
18100	39,3	46,1	22,9
18100	43,2	41,9	20,8
18100	50,3	36,0	17,9
18100	56,0	32,3	16,1
18100	62,9	28,8	14,3
18100	71,1	25,4	12,7
18100	78,6	23,0	11,5
16600	89,1	18,7	10,1

P3C 266

Mn ₂ [Nm]	i	Pn ₁ [kW]	n ₂ [rpm]
29700	25,4	117	35,4
29700	29,2	102	30,8
29700	31,9	93,3	28,2
29700	35,0	85,0	25,7
29700	40,5	73,6	22,2
29700	44,8	66,4	20,1
29700	49,9	59,7	18,0
29700	55,9	53,3	16,1
29700	63,0	47,2	14,3
29700	70,8	42,1	12,7
29700	79,0	37,7	11,4
28700	89,1	32,3	10,1

P3C 196

Mn ₂ [Nm]	i	Pn ₁ [kW]	n ₂ [rpm]
12900	31,0	41,7	29,0
12900	35,3	36,6	25,5
12900	38,6	33,5	23,3
12900	42,4	30,5	21,2
12900	49,0	26,4	18,4
12900	54,2	23,8	16,6
12900	60,3	21,4	14,9
12900	67,6	19,1	13,3
12900	76,3	16,9	11,8
12900	86,4	15,0	10,4
12100	97,6	12,4	9,22
12500	108	11,6	8,37

P3C 246

Mn ₂ [Nm]	i	Pn ₁ [kW]	n ₂ [rpm]
22600	32,2	70,5	27,9
22600	34,9	64,9	25,8
22600	39,6	57,2	22,7
22600	43,2	52,5	20,8
22600	49,5	45,8	18,2
22600	54,5	41,6	16,5
22600	63,4	35,8	14,2
22600	70,7	32,1	12,7
22600	79,3	28,6	11,4
22600	89,7	25,3	10,0
22600	99,1	22,9	9,08
21000	112	18,7	8,01

P3C 276

Mn ₂ [Nm]	i	Pn ₁ [kW]	n ₂ [rpm]
36400	31,9	115	28,2
36400	36,6	99,8	24,6
36400	40,0	91,3	22,5
36400	43,9	83,2	20,5
36400	50,7	72,0	17,7
36400	56,2	65,0	16,0
36400	62,5	58,4	14,4
36400	70,0	52,2	12,8
36400	79,0	46,2	11,4
36400	88,7	41,2	10,1
36400	99,1	36,9	9,08
35600	112	32,0	8,06

P3C 316

Mn ₂ [Nm]	i	Pn ₁ [kW]	n ₂ [rpm]
52800	24,7	214	36,4
52800	28,6	185	31,5
52800	31,6	167	28,4
52800	35,1	151	25,6
52800	39,2	135	23,0
52800	43,2	123	20,8
52800	47,9	111	18,8
52800	56,6	93,6	15,9
52800	63,8	83,0	14,1
52800	71,4	74,2	12,6
52800	80,1	66,1	11,2
52800	85,1	62,2	10,6

P3C 396

Mn ₂ [Nm]	i	Pn ₁ [kW]	n ₂ [rpm]
73200	22,0	333	40,9
73200	25,4	289	35,5
73200	29,4	250	30,6
73200	32,5	226	27,7
73200	36,1	203	24,9
73200	40,3	182	22,4
73200	45,1	163	19,9
73200	51,0	144	17,7
73200	57,4	128	15,7
73200	64,7	113	13,9
73200	73,8	99,5	12,2
73200	78,3	93,8	11,5
73200	88,8	82,7	10,1

P3C 346

Mn ₂ [Nm]	i	Pn ₁ [kW]	n ₂ [rpm]
64200	31,4	205	28,7
64200	36,4	177	24,7
64200	40,2	160	22,4
64200	44,7	144	20,1
64200	49,8	129	18,1
64200	54,9	117	16,4
64200	60,9	106	14,8
64200	71,9	89,5	12,5
64200	81,1	79,4	11,1
64200	90,8	70,9	9,91
64200	102	63,2	8,84
64200	108	59,5	8,31

P3C 406

Mn ₂ [Nm]	i	Pn ₁ [kW]	n ₂ [rpm]
90700	27,3	333	33,0
90700	31,4	289	28,6
90700	36,4	250	24,7
90700	40,3	226	22,3
90700	44,7	203	20,1
90700	49,9	182	18,0
90700	56,0	162	16,1
90700	63,2	144	14,2
90700	71,1	128	12,7
90700	80,2	113	11,2
90700	91,5	99,4	9,84
90700	97,0	93,7	9,28
90700	110	82,7	8,18

P4C 216

Mn ₂ [Nm]	i	Pn ₁ [kW]	n ₂ [rpm]
18100	102	18,2	8,86
18100	115	16,0	7,81
18100	126	14,7	7,16
18100	144	12,8	6,25
18100	158	11,7	5,69
18100	175	10,6	5,15
18100	194	9,55	4,65
18100	229	8,09	3,94
18100	258	7,18	3,49
18100	289	6,41	3,12
18100	305	6,06	2,95
16300	344	4,85	2,62

P4C 266

Mn ₂ [Nm]	i	Pn ₁ [kW]	n ₂ [rpm]
29700	101	30,1	8,89
29700	115	26,4	7,81
29700	126	24,1	7,14
29700	138	22,0	6,51
29700	160	19,0	5,63
29700	177	17,2	5,08
29700	197	15,4	4,57
29700	221	13,8	4,08
29700	249	12,2	3,61
29700	282	10,8	3,19
29700	319	9,55	2,83
29700	351	8,66	2,56

P4C 316

Mn ₂ [Nm]	i	Pn ₁ [kW]	n ₂ [rpm]
51300	104	50,7	8,68
51300	112	46,7	8,00
51300	128	41,2	7,06
51300	139	37,7	6,47
51300	159	32,9	5,64
51300	175	29,9	5,13
51300	204	25,7	4,41
51300	227	23,1	3,96
51300	255	20,6	3,53
51300	289	18,2	3,12
51300	319	16,5	2,82
51300	361	14,5	2,49

P4C 246

Mn ₂ [Nm]	i	Pn ₁ [kW]	n ₂ [rpm]
22600	128	18,1	7,03
22600	145	16,0	6,19
22600	159	14,6	5,68
22600	182	12,8	4,96
22600	200	11,6	4,51
22600	220	10,5	4,09
22600	244	9,50	3,69
22600	288	8,04	3,12
22600	325	7,13	2,77
22600	364	6,37	2,47
22600	385	6,02	2,34
21000	434	4,97	2,07

P4C 276

Mn ₂ [Nm]	i	Pn ₁ [kW]	n ₂ [rpm]
36800	127	29,7	7,09
36800	145	26,1	6,23
36800	158	23,8	5,69
36800	173	21,7	5,19
36800	200	18,8	4,49
36800	222	17,0	4,06
36800	247	15,2	3,64
36800	277	13,6	3,25
36800	312	12,1	2,88
36800	354	10,6	2,54
36800	399	9,43	2,25
35600	440	8,28	2,04

P4C 346

Mn ₂ [Nm]	i	Pn ₁ [kW]	n ₂ [rpm]
64900	132	50,4	6,83
64900	143	46,5	6,29
64900	162	41,0	5,55
64900	177	37,6	5,09
64900	203	32,8	4,44
64900	223	29,8	4,04
64900	259	25,6	3,47
64900	289	23,0	3,11
64900	324	20,5	2,77
64900	367	18,1	2,45
64900	405	16,4	2,22
64900	460	14,5	1,96

P4C 396

Mn ₂ [Nm]	i	Pn ₁ [kW]	n ₂ [rpm]
75500	103	75,0	8,73
75500	118	65,3	7,61
75500	129	59,7	6,96
75500	142	54,5	6,34
75500	164	47,1	5,49
75500	182	42,6	4,95
75500	202	38,2	4,45
75500	226	34,1	3,97
75500	256	30,2	3,52
75500	287	26,9	3,14
75500	320	24,1	2,81
75500	361	21,4	2,49

P4C 406

Mn ₂ [Nm]	i	Pn ₁ [kW]	n ₂ [rpm]
94000	128	75,4	7,04
94000	147	65,7	6,14
94000	160	60,0	5,61
94000	176	54,8	5,12
94000	203	47,4	4,43
94000	225	42,8	4,00
94000	251	38,4	3,59
94000	281	34,3	3,21
94000	317	30,4	2,84
94000	356	27,1	2,53
94000	397	24,3	2,27
94000	447	21,5	2,01

P1C 176

Mn ₂ [Nm]	i	Pn ₁ [kW]	n ₂ [rpm]
6720	1,26	400	557
7060	1,38	383	508
7220	1,59	340	441
7390	1,84	301	381
7900	2,03	290	344
8060	2,26	267	310
8060	2,52	239	278
8060	2,83	213	248
8060	3,19	189	219
7980	3,59	166	195
8060	4,06	149	172
6470	4,62	105	152
6050	4,90	92,3	143
5800	5,56	78,0	126

P1C 266

Mn ₂ [Nm]	i	Pn ₁ [kW]	n ₂ [rpm]
20700	1,27	1220	551
21100	1,40	1130	500
22800	1,63	1050	431
23500	1,80	977	389
24100	2,00	902	350
24100	2,23	808	314
24100	2,50	721	280
22800	2,74	623	255
23600	3,21	550	218
24000	3,59	500	195
24100	4,05	445	173
20700	4,38	353	160
19700	4,96	298	141
16900	5,68	222	123

P1C 396

Mn ₂ [Nm]	i	Pn ₁ [kW]	n ₂ [rpm]
56600	1,59	2670	441
59600	1,84	2420	381
61200	2,03	2250	344
63200	2,26	2090	310
64700	2,52	1920	278
64700	2,93	1650	239
61400	3,21	1430	218
62500	3,59	1300	195
63600	4,05	1170	173
51700	4,62	838	152
49000	4,90	748	143
46500	5,56	626	126

P1C 216

Mn ₂ [Nm]	i	Pn ₁ [kW]	n ₂ [rpm]
12800	1,26	756	554
12900	1,39	697	504
13700	1,61	638	436
14600	1,77	616	395
15000	1,97	569	356
15000	2,31	485	303
15000	2,58	433	271
14400	2,80	384	250
14600	3,13	349	224
15000	3,52	317	199
15000	4,00	280	175
13300	4,40	226	159
11600	4,91	177	143
11000	5,53	149	127

P1C 316

Mn ₂ [Nm]	i	Pn ₁ [kW]	n ₂ [rpm]
38600	1,64	1770	428
40000	1,81	1660	388
41200	2,00	1540	350
42500	2,22	1430	315
42500	2,48	1280	282
42500	2,78	1140	252
40400	3,08	981	227
42200	3,48	907	201
42500	3,91	814	179
38600	4,42	654	158
32500	5,15	472	136
30700	5,47	419	128

P2C 176

Mn ₂ [Nm]	i	Pn ₁ [kW]	n ₂ [rpm]
8990	6,29	109	111
9410	7,21	99,6	97,0
9410	7,89	91,1	88,7
9410	8,65	83,0	80,9
8820	10,0	67,3	70,0
8900	11,1	61,4	63,2
9410	12,3	58,3	56,8
9410	13,8	52,0	50,7
9410	15,6	46,1	44,9
8820	17,5	38,5	40,0
9410	19,5	36,8	35,8
9160	22,0	31,8	31,8

P2C 216

Mn ₂ [Nm]	i	Pn ₁ [kW]	n ₂ [rpm]
17100	6,09	214	115
17100	7,05	185	99,3
17100	7,80	167	89,8
17100	8,66	150	80,8
17100	9,66	135	72,5
17100	10,6	122	65,7
17000	11,8	110	59,3
17100	13,9	93,4	50,2
17100	15,7	82,8	44,5
16000	17,6	69,2	39,8
16000	19,7	61,7	35,5
16600	21,0	60,5	33,4

P2C 266

Mn ₂ [Nm]	i	Pn ₁ [kW]	n ₂ [rpm]
28300	6,26	345	112
28300	7,25	298	96,6
28300	8,02	270	87,3
28300	8,90	243	78,6
28300	9,93	218	70,5
28300	11,1	194	62,8
28300	12,6	172	55,7
28300	14,2	153	49,5
28300	16,0	135	43,9
28300	18,2	119	38,5
28300	19,3	112	36,2
27800	21,9	97,0	32,0

P2C 196

Mn ₂ [Nm]	i	Pn ₁ [kW]	n ₂ [rpm]
11300	7,79	111	89,8
12100	8,94	103	78,3
12100	9,78	94,5	71,6
12100	10,7	86,1	65,3
11300	12,4	69,8	56,5
11300	13,7	63,1	51,0
12100	15,3	60,5	45,8
12100	17,1	54,0	40,9
12100	19,3	47,8	36,2
11300	21,7	39,9	32,3
12000	24,2	37,9	28,9
11700	27,3	32,7	25,7

P2C 246

Mn ₂ [Nm]	i	Pn ₁ [kW]	n ₂ [rpm]
21500	7,68	214	91,2
21500	8,89	185	78,8
21500	9,83	167	71,2
21500	10,9	150	64,1
21500	12,2	135	57,5
21500	13,4	122	52,1
21400	14,9	110	47,0
21500	17,6	93,4	39,8
21500	19,8	82,9	35,3
20200	22,2	69,4	31,5
20200	24,9	61,8	28,1
21000	26,5	60,6	26,5

P2C 276

Mn ₂ [Nm]	i	Pn ₁ [kW]	n ₂ [rpm]
35400	7,85	345	89,2
35400	9,09	298	77,1
35400	10,1	269	69,6
35400	11,2	242	62,7
35400	12,5	217	56,2
35400	14,0	194	50,1
35400	15,8	172	44,4
35400	17,7	153	39,5
35400	20,0	135	35,0
35400	22,8	119	30,7
35400	24,2	112	28,9
34900	27,5	97,2	25,5

P2C 316

Mn ₂ [Nm]	i	Pn ₁ [kW]	n ₂ [rpm]
49800	6,25	609	112
49800	6,90	551	101
49800	7,64	498	91,6
49800	8,97	424	78,0
49800	10,0	379	69,7
49800	10,9	349	64,3
49800	12,2	312	57,5
49800	13,7	278	51,1
49800	15,6	244	45,0
49800	17,1	222	40,9
49800	19,7	193	35,5
49000	21,5	174	32,6

P2C 396

Mn ₂ [Nm]	i	Pn ₁ [kW]	n ₂ [rpm]
72200	7,10	777	98,6
72200	7,89	699	88,7
72200	8,80	627	79,6
72200	9,86	559	71,0
72200	10,8	510	64,7
72200	12,7	436	55,3
72200	14,2	389	49,4
72200	16,0	345	43,8
72200	17,3	319	40,5
72200	19,5	283	35,9
72200	66,4	83,1	10,5

P2C 346

Mn ₂ [Nm]	i	Pn ₁ [kW]	n ₂ [rpm]
62000	7,94	596	88,2
62000	8,77	540	79,8
62000	9,72	487	72,0
62000	11,4	415	61,3
62000	12,8	371	54,8
62000	13,8	342	50,6
62000	15,5	306	45,2
62000	17,4	272	40,2
62000	19,8	239	35,4
62000	21,8	218	32,2
62000	24,3	195	28,9
60900	27,3	170	25,6

P2C 406

Mn ₂ [Nm]	i	Pn ₁ [kW]	n ₂ [rpm]
89900	7,94	864	88,1
89900	8,80	780	79,5
89900	9,78	702	71,6
89900	10,9	629	64,2
89900	12,2	561	57,3
89900	13,4	512	52,2
89900	15,7	438	44,6
89900	17,6	391	39,9
89900	19,8	347	35,4
89900	21,4	320	32,7
89900	24,2	284	28,9

P3C 176

Mn ₂ [Nm]	i	Pn ₁ [kW]	n ₂ [rpm]
9740	25,0	30,4	28,0
9740	28,5	26,7	24,6
9740	31,2	24,4	22,5
9740	34,2	22,2	20,5
9740	39,5	19,2	17,7
9740	43,7	17,4	16,0
9740	48,7	15,6	14,4
9740	54,5	13,9	12,8
9740	61,5	12,3	11,4
9740	69,7	10,9	10,0
9740	78,7	9,65	8,89
9740	86,8	8,75	8,06

P3C 216

Mn ₂ [Nm]	i	Pn ₁ [kW]	n ₂ [rpm]
18200	25,5	55,7	27,4
18200	27,7	51,3	25,3
18200	31,4	45,2	22,3
18200	34,3	41,5	20,4
18200	39,3	36,2	17,8
18200	43,2	32,9	16,2
18200	50,3	28,3	13,9
18200	56,0	25,4	12,5
18200	62,9	22,6	11,1
18200	71,1	20,0	9,84
18200	78,6	18,1	8,91
16800	89,1	14,7	7,86

P3C 266

Mn ₂ [Nm]	i	Pn ₁ [kW]	n ₂ [rpm]
30000	25,4	91,9	27,5
30000	29,2	80,1	24,0
30000	31,9	73,2	21,9
30000	35,0	66,8	20,0
30000	40,5	57,8	17,3
30000	44,8	52,2	15,6
30000	49,9	46,9	14,0
30000	55,9	41,9	12,5
30000	63,0	37,1	11,1
30000	70,8	33,0	9,89
30000	79,0	29,6	8,86
29000	89,1	25,4	7,86

P3C 196

Mn ₂ [Nm]	i	Pn ₁ [kW]	n ₂ [rpm]
13000	31,0	32,8	22,6
13000	35,3	28,8	19,8
13000	38,6	26,3	18,1
13000	42,4	24,0	16,5
13000	49,0	20,7	14,3
13000	54,2	18,7	12,9
13000	60,3	16,8	11,6
13000	67,6	15,0	10,4
13000	76,3	13,3	9,18
13000	86,4	11,7	8,10
12200	97,6	9,73	7,17
12600	108	9,13	6,51

P3C 246

Mn ₂ [Nm]	i	Pn ₁ [kW]	n ₂ [rpm]
22800	32,2	55,3	21,7
22800	34,9	51,0	20,0
22800	39,6	45,0	17,7
22800	43,2	41,2	16,2
22800	49,5	36,0	14,1
22800	54,5	32,7	12,8
22800	63,4	28,1	11,0
22800	70,7	25,2	9,91
22800	79,3	22,5	8,83
22800	89,7	19,9	7,80
22800	99,1	18,0	7,06
21200	112	14,7	6,23

P3C 276

Mn ₂ [Nm]	i	Pn ₁ [kW]	n ₂ [rpm]
36800	31,9	90,0	21,9
36800	36,6	78,4	19,1
36800	40,0	71,7	17,5
36800	43,9	65,4	15,9
36800	50,7	56,5	13,8
36800	56,2	51,1	12,5
36800	62,5	45,9	11,2
36800	70,0	41,0	9,99
36800	79,0	36,3	8,86
36800	88,7	32,3	7,89
36800	99,1	28,9	7,06
36000	112	25,1	6,27

P3C 316

Mn ₂ [Nm]	i	Pn ₁ [kW]	n ₂ [rpm]
53300	24,7	168	28,3
53300	28,6	145	24,5
53300	31,6	131	22,1
53300	35,1	118	19,9
53300	39,2	106	17,9
53300	43,2	96,3	16,2
53300	47,9	86,8	14,6
53300	56,6	73,5	12,4
53300	63,8	65,2	11,0
53300	71,4	58,2	9,80
53300	80,1	51,9	8,74
53300	85,1	48,8	8,22

P3C 396

Mn ₂ [Nm]	i	Pn ₁ [kW]	n ₂ [rpm]
73900	22,0	262	31,8
73900	25,4	227	27,6
73900	29,4	196	23,8
73900	32,5	177	21,5
73900	36,1	160	19,4
73900	40,3	143	17,4
73900	45,1	128	15,5
73900	51,0	113	13,7
73900	57,4	100	12,2
73900	64,7	89,1	10,8
73900	73,8	78,1	9,49
73900	78,3	73,6	8,94
73900	88,8	64,9	7,89

P3C 346

Mn ₂ [Nm]	i	Pn ₁ [kW]	n ₂ [rpm]
64800	31,4	161	22,3
64800	36,4	139	19,2
64800	40,2	126	17,4
64800	44,7	113	15,7
64800	49,8	101	14,0
64800	54,9	92,0	12,7
64800	60,9	83,0	11,5
64800	71,9	70,3	9,73
64800	81,1	62,4	8,63
64800	90,8	55,7	7,71
64800	102	49,6	6,87
64800	108	46,7	6,47

P3C 406

Mn ₂ [Nm]	i	Pn ₁ [kW]	n ₂ [rpm]
91600	27,3	262	25,6
91600	31,4	227	22,3
91600	36,4	196	19,2
91600	40,3	177	17,4
91600	44,7	160	15,6
91600	49,9	143	14,0
91600	56,0	128	12,5
91600	63,2	113	11,1
91600	71,1	100	9,85
91600	80,2	89,0	8,73
91600	91,5	78,1	7,65
91600	97,0	73,6	7,22
91600	110	64,9	6,36

P4C 216

Mn ₂ [Nm]	i	Pn ₁ [kW]	n ₂ [rpm]
18200	102	14,3	6,89
18200	115	12,6	6,07
18200	126	11,6	5,57
18200	144	10,1	4,86
18200	158	9,18	4,42
18200	175	8,32	4,01
18200	194	7,50	3,62
18200	229	6,35	3,06
18200	258	5,63	2,72
18200	289	5,03	2,43
18200	305	4,76	2,29
16500	344	3,81	2,03

P4C 266

Mn ₂ [Nm]	i	Pn ₁ [kW]	n ₂ [rpm]
30000	101	23,6	6,92
30000	115	20,7	6,07
30000	126	18,9	5,55
30000	138	17,3	5,06
30000	160	14,9	4,38
30000	177	13,5	3,95
30000	197	12,1	3,55
30000	221	10,8	3,17
30000	249	9,59	2,81
30000	282	8,47	2,48
30000	319	7,50	2,20
30000	351	6,80	1,99

P4C 316

Mn ₂ [Nm]	i	Pn ₁ [kW]	n ₂ [rpm]
51700	104	39,8	6,75
51700	112	36,7	6,22
51700	128	32,3	5,49
51700	139	29,6	5,03
51700	159	25,9	4,39
51700	175	23,5	3,99
51700	204	20,2	3,43
51700	227	18,1	3,08
51700	255	16,2	2,74
51700	289	14,3	2,42
51700	319	12,9	2,20
51700	361	11,4	1,94

P4C 246

Mn ₂ [Nm]	i	Pn ₁ [kW]	n ₂ [rpm]
22800	128	14,2	5,47
22800	145	12,5	4,82
22800	159	11,5	4,42
22800	182	10,0	3,86
22800	200	9,12	3,51
22800	220	8,27	3,18
22800	244	7,46	2,87
22800	288	6,32	2,43
22800	325	5,60	2,15
22800	364	5,00	1,92
22800	385	4,73	1,82
21300	434	3,90	1,61

P4C 276

Mn ₂ [Nm]	i	Pn ₁ [kW]	n ₂ [rpm]
37100	127	23,3	5,52
37100	145	20,5	4,84
37100	158	18,7	4,43
37100	173	17,1	4,04
37100	200	14,8	3,49
37100	222	13,3	3,15
37100	247	12,0	2,83
37100	277	10,7	2,53
37100	312	9,47	2,24
37100	354	8,36	1,98
37100	399	7,41	1,75
36000	440	6,50	1,59

P4C 346

Mn ₂ [Nm]	i	Pn ₁ [kW]	n ₂ [rpm]
65500	132	39,6	5,31
65500	143	36,5	4,90
65500	162	32,2	4,32
65500	177	29,5	3,96
65500	203	25,8	3,45
65500	223	23,4	3,14
65500	259	20,1	2,70
65500	289	18,1	2,42
65500	324	16,1	2,16
65500	367	14,2	1,91
65500	405	12,9	1,73
65500	460	11,4	1,52

P4C 396

Mn ₂ [Nm]	i	Pn ₁ [kW]	n ₂ [rpm]
76200	103	58,9	6,79
76200	118	51,3	5,92
76200	129	46,9	5,41
76200	142	42,8	4,93
76200	164	37,0	4,27
76200	182	33,4	3,85
76200	202	30,0	3,46
76200	226	26,8	3,09
76200	256	23,8	2,74
76200	287	21,2	2,44
76200	320	18,9	2,18
76200	361	16,8	1,94

P4C 406

Mn ₂ [Nm]	i	Pn ₁ [kW]	n ₂ [rpm]
94900	128	59,2	5,48
94900	147	51,6	4,77
94900	160	47,2	4,36
94900	176	43,0	3,98
94900	203	37,2	3,44
94900	225	33,6	3,11
94900	251	30,2	2,79
94900	281	26,9	2,49
94900	317	23,9	2,21
94900	356	21,3	1,97
94900	397	19,0	1,76
94900	447	16,9	1,56

P1C 176

Mn ₂ [Nm]	i	Pn ₁ [kW]	n ₂ [rpm]
6820	1,26	290	398
7160	1,38	277	363
7330	1,59	247	315
7500	1,84	218	272
8010	2,03	210	246
8180	2,26	193	221
8180	2,52	173	198
8180	2,83	155	177
8180	3,19	137	157
8090	3,59	120	139
8180	4,06	108	123
6560	4,62	75,9	108
6130	4,90	66,9	102
5880	5,56	56,5	90,0

P1C 266

Mn ₂ [Nm]	i	Pn ₁ [kW]	n ₂ [rpm]
21000	1,27	885	394
21400	1,40	818	357
23100	1,63	759	308
23900	1,80	708	278
24500	2,00	653	250
24500	2,23	586	224
24500	2,50	523	200
23200	2,74	452	182
23900	3,21	399	156
24400	3,59	363	139
24500	4,05	323	123
21000	4,38	256	114
20000	4,96	216	101
17100	5,68	161	88,0

P1C 396

Mn ₂ [Nm]	i	Pn ₁ [kW]	n ₂ [rpm]
57400	1,59	1930	315
60400	1,84	1750	272
62100	2,03	1630	246
64100	2,26	1520	221
65600	2,52	1390	198
65600	2,93	1200	171
62300	3,21	1040	156
63400	3,59	943	139
64500	4,05	851	123
52500	4,62	607	108
49700	4,90	542	102
47200	5,56	454	90,0

P1C 216

Mn ₂ [Nm]	i	Pn ₁ [kW]	n ₂ [rpm]
13000	1,26	548	396
13100	1,39	505	360
13900	1,61	462	311
14800	1,77	446	282
15200	1,97	412	254
15200	2,31	351	217
15200	2,58	314	194
14600	2,80	278	179
14800	3,13	253	160
15200	3,52	230	142
15200	4,00	203	125
13500	4,40	163	114
11800	4,91	128	102
11200	5,53	108	90,5

P1C 316

Mn ₂ [Nm]	i	Pn ₁ [kW]	n ₂ [rpm]
39200	1,64	1280	306
40600	1,81	1200	277
41800	2,00	1120	250
43100	2,22	1040	225
43100	2,48	929	202
43100	2,78	828	180
41000	3,08	711	162
42800	3,48	657	144
43100	3,91	590	128
39200	4,42	474	113
33000	5,15	342	97,1
31100	5,47	304	91,3

P2C 176

Mn ₂ [Nm]	i	Pn ₁ [kW]	n ₂ [rpm]
9120	6,29	79,1	79,5
9540	7,21	72,2	69,3
9540	7,89	66,0	63,4
9540	8,65	60,2	57,8
8950	10,0	48,8	50,0
9030	11,1	44,5	45,1
9540	12,3	42,2	40,6
9540	13,8	37,7	36,2
9540	15,6	33,4	32,1
8950	17,5	27,9	28,6
9540	19,5	26,6	25,6
9290	22,0	23,0	22,7

P2C 216

Mn ₂ [Nm]	i	Pn ₁ [kW]	n ₂ [rpm]
17300	6,09	155	82,1
17300	7,05	134	70,9
17300	7,80	121	64,1
17300	8,66	109	57,7
17300	9,66	97,6	51,8
17300	10,6	88,6	47,0
17200	11,8	79,5	42,3
17300	13,9	67,7	35,9
17300	15,7	60,0	31,8
16200	17,6	50,2	28,4
16200	19,7	44,7	25,3
16900	21,0	43,8	23,8

P2C 266

Mn ₂ [Nm]	i	Pn ₁ [kW]	n ₂ [rpm]
28700	6,26	250	79,9
28700	7,25	216	69,0
28700	8,02	195	62,4
28700	8,90	176	56,2
28700	9,93	158	50,3
28700	11,1	141	44,9
28700	12,6	125	39,8
28700	14,2	111	35,3
28700	16,0	98,1	31,3
28700	18,2	86,0	27,5
28700	19,3	81,1	25,9
28200	21,9	70,2	22,8

P2C 196

Mn ₂ [Nm]	i	Pn ₁ [kW]	n ₂ [rpm]
11500	7,79	80,5	64,2
12300	8,94	74,8	55,9
12300	9,78	68,4	51,1
12300	10,7	62,4	46,6
11500	12,4	50,6	40,3
11500	13,7	45,7	36,4
12300	15,3	43,8	32,7
12300	17,1	39,1	29,2
12300	19,3	34,6	25,9
11500	21,7	28,9	23,1
12200	24,2	27,4	20,7
11800	27,3	23,7	18,3

P2C 246

Mn ₂ [Nm]	i	Pn ₁ [kW]	n ₂ [rpm]
21800	7,68	155	65,1
21800	8,89	134	56,3
21800	9,83	121	50,8
21800	10,9	109	45,8
21800	12,2	97,7	41,1
21800	13,4	88,6	37,2
21700	14,9	79,6	33,6
21800	17,6	67,7	28,4
21800	19,8	60,0	25,2
20400	22,2	50,3	22,5
20400	24,9	44,8	20,1
21300	26,5	43,9	18,9

P2C 276

Mn ₂ [Nm]	i	Pn ₁ [kW]	n ₂ [rpm]
36000	7,85	250	63,7
36000	9,09	216	55,0
36000	10,1	195	49,7
36000	11,2	176	44,8
36000	12,5	157	40,2
36000	14,0	140	35,8
36000	15,8	124	31,7
36000	17,7	111	28,2
36000	20,0	98,0	25,0
36000	22,8	85,9	21,9
36000	24,2	81,0	20,7
35400	27,5	70,4	18,2

P2C 316

Mn ₂ [Nm]	i	Pn ₁ [kW]	n ₂ [rpm]
50500	6,25	441	80,1
50500	6,90	399	72,5
50500	7,64	360	65,4
50500	8,97	307	55,7
50500	10,0	274	49,8
50500	10,9	253	45,9
50500	12,2	226	41,1
50500	13,7	201	36,5
50500	15,6	177	32,1
50500	17,1	161	29,2
50500	19,7	140	25,4
49700	21,5	126	23,3

P2C 396

Mn ₂ [Nm]	i	Pn ₁ [kW]	n ₂ [rpm]
73300	7,10	563	70,4
73300	7,89	507	63,4
73300	8,80	454	56,8
73300	9,86	405	50,7
73300	10,8	370	46,2
73300	12,7	316	39,5
73300	14,2	282	35,3
73300	16,0	250	31,3
73300	17,3	231	28,9
73300	19,5	205	25,6
73300	66,4	60,2	7,53

P2C 346

Mn ₂ [Nm]	i	Pn ₁ [kW]	n ₂ [rpm]
62900	7,94	432	63,0
62900	8,77	391	57,0
62900	9,72	353	51,5
62900	11,4	301	43,8
62900	12,8	268	39,1
62900	13,8	248	36,1
62900	15,5	222	32,3
62900	17,4	197	28,7
62900	19,8	173	25,3
62900	21,8	158	23,0
62900	24,3	141	20,6
61800	27,3	123	18,3

P2C 406

Mn ₂ [Nm]	i	Pn ₁ [kW]	n ₂ [rpm]
91200	7,94	626	62,9
91200	8,80	565	56,8
91200	9,78	508	51,1
91200	10,9	456	45,8
91200	12,2	407	40,9
91200	13,4	371	37,3
91200	15,7	317	31,9
91200	17,6	283	28,5
91200	19,8	251	25,3
91200	21,4	232	23,3
91200	24,2	206	20,7

P3C 176

Mn ₂ [Nm]	i	Pn ₁ [kW]	n ₂ [rpm]
9880	25,0	22,0	20,0
9880	28,5	19,3	17,6
9880	31,2	17,7	16,0
9880	34,2	16,1	14,6
9880	39,5	13,9	12,7
9880	43,7	12,6	11,4
9880	48,7	11,3	10,3
9880	54,5	10,1	9,17
9880	61,5	8,94	8,12
9880	69,7	7,89	7,17
9880	78,7	6,99	6,35
9880	86,8	6,34	5,76

P3C 216

Mn ₂ [Nm]	i	Pn ₁ [kW]	n ₂ [rpm]
18500	25,5	40,3	19,6
18500	27,7	37,2	18,0
18500	31,4	32,8	15,9
18500	34,3	30,0	14,6
18500	39,3	26,2	12,7
18500	43,2	23,8	11,6
18500	50,3	20,5	9,94
18500	56,0	18,4	8,92
18500	62,9	16,4	7,95
18500	71,1	14,5	7,03
18500	78,6	13,1	6,36
17000	89,1	10,7	5,61

P3C 266

Mn ₂ [Nm]	i	Pn ₁ [kW]	n ₂ [rpm]
30400	25,4	66,6	19,7
30400	29,2	58,0	17,1
30400	31,9	53,1	15,7
30400	35,0	48,4	14,3
30400	40,5	41,9	12,4
30400	44,8	37,8	11,2
30400	49,9	34,0	10,0
30400	55,9	30,3	8,95
30400	63,0	26,9	7,93
30400	70,8	23,9	7,06
30400	79,0	21,4	6,33
29400	89,1	18,4	5,61

P3C 196

Mn ₂ [Nm]	i	Pn ₁ [kW]	n ₂ [rpm]
13200	31,0	23,7	16,1
13200	35,3	20,8	14,2
13200	38,6	19,0	12,9
13200	42,4	17,4	11,8
13200	49,0	15,0	10,2
13200	54,2	13,6	9,22
13200	60,3	12,2	8,29
13200	67,6	10,9	7,40
13200	76,3	9,64	6,55
13200	86,4	8,51	5,78
12400	97,6	7,05	5,12
12800	108	6,62	4,65

P3C 246

Mn ₂ [Nm]	i	Pn ₁ [kW]	n ₂ [rpm]
23200	32,2	40,1	15,5
23200	34,9	36,9	14,3
23200	39,6	32,6	12,6
23200	43,2	29,9	11,6
23200	49,5	26,1	10,1
23200	54,5	23,7	9,17
23200	63,4	20,4	7,88
23200	70,7	18,3	7,08
23200	79,3	16,3	6,31
23200	89,7	14,4	5,57
23200	99,1	13,0	5,05
21500	112	10,6	4,45

P3C 276

Mn ₂ [Nm]	i	Pn ₁ [kW]	n ₂ [rpm]
37300	31,9	65,2	15,7
37300	36,6	56,8	13,7
37300	40,0	51,9	12,5
37300	43,9	47,3	11,4
37300	50,7	41,0	9,85
37300	56,2	37,0	8,90
37300	62,5	33,2	8,00
37300	70,0	29,7	7,14
37300	79,0	26,3	6,33
37300	88,7	23,4	5,63
37300	99,1	21,0	5,05
36500	112	18,2	4,48

P3C 316

Mn ₂ [Nm]	i	Pn ₁ [kW]	n ₂ [rpm]
54100	24,7	122	20,2
54100	28,6	105	17,5
54100	31,6	95,2	15,8
54100	35,1	85,7	14,2
54100	39,2	76,9	12,8
54100	43,2	69,7	11,6
54100	47,9	62,9	10,4
54100	56,6	53,3	8,84
54100	63,8	47,2	7,84
54100	71,4	42,2	7,00
54100	80,1	37,6	6,24
54100	85,1	35,4	5,87

P3C 396

Mn ₂ [Nm]	i	Pn ₁ [kW]	n ₂ [rpm]
75000	22,0	190	22,7
75000	25,4	165	19,7
75000	29,4	142	17,0
75000	32,5	128	15,4
75000	36,1	116	13,9
75000	40,3	104	12,4
75000	45,1	92,5	11,1
75000	51,0	81,9	9,81
75000	57,4	72,8	8,72
75000	64,7	64,5	7,73
75000	73,8	56,6	6,78
75000	78,3	53,3	6,39
75000	88,8	47,1	5,63

P3C 346

Mn ₂ [Nm]	i	Pn ₁ [kW]	n ₂ [rpm]
65800	31,4	117	15,9
65800	36,4	101	13,7
65800	40,2	91,0	12,4
65800	44,7	82,0	11,2
65800	49,8	73,5	10,0
65800	54,9	66,7	9,10
65800	60,9	60,1	8,21
65800	71,9	50,9	6,95
65800	81,1	45,2	6,17
65800	90,8	40,3	5,51
65800	102	36,0	4,91
65800	108	33,8	4,62

P3C 406

Mn ₂ [Nm]	i	Pn ₁ [kW]	n ₂ [rpm]
92900	27,3	190	18,3
92900	31,4	164	15,9
92900	36,4	142	13,7
92900	40,3	128	12,4
92900	44,7	116	11,2
92900	49,9	104	10,0
92900	56,0	92,4	8,94
92900	63,2	81,9	7,92
92900	71,1	72,8	7,03
92900	80,2	64,5	6,24
92900	91,5	56,6	5,47
92900	97,0	53,3	5,15
92900	110	47,0	4,55

P4C 216

Mn ₂ [Nm]	i	Pn ₁ [kW]	n ₂ [rpm]
18500	102	10,4	4,92
18500	115	9,13	4,34
18500	126	8,37	3,98
18500	144	7,31	3,47
18500	158	6,65	3,16
18500	175	6,03	2,86
18500	194	5,43	2,58
18500	229	4,60	2,19
18500	258	4,08	1,94
18500	289	3,65	1,73
18500	305	3,45	1,64
16700	344	2,76	1,45

P4C 266

Mn ₂ [Nm]	i	Pn ₁ [kW]	n ₂ [rpm]
30400	101	17,1	4,94
30400	115	15,0	4,34
30400	126	13,7	3,97
30400	138	12,5	3,62
30400	160	10,8	3,13
30400	177	9,78	2,82
30400	197	8,79	2,54
30400	221	7,84	2,27
30400	249	6,95	2,01
30400	282	6,13	1,77
30400	319	5,43	1,57
30400	351	4,93	1,42

P4C 316

Mn ₂ [Nm]	i	Pn ₁ [kW]	n ₂ [rpm]
52500	104	28,8	4,82
52500	112	26,6	4,45
52500	128	23,4	3,92
52500	139	21,5	3,59
52500	159	18,7	3,14
52500	175	17,0	2,85
52500	204	14,6	2,45
52500	227	13,1	2,20
52500	255	11,7	1,96
52500	289	10,3	1,73
52500	319	9,37	1,57
52500	361	8,26	1,38

P4C 246

Mn ₂ [Nm]	i	Pn ₁ [kW]	n ₂ [rpm]
23200	128	10,3	3,90
23200	145	9,08	3,44
23200	159	8,32	3,15
23200	182	7,26	2,75
23200	200	6,61	2,51
23200	220	5,99	2,27
23200	244	5,40	2,05
23200	288	4,58	1,73
23200	325	4,06	1,54
23200	364	3,62	1,37
23200	385	3,43	1,30
21600	434	2,83	1,15

P4C 276

Mn ₂ [Nm]	i	Pn ₁ [kW]	n ₂ [rpm]
37700	127	16,9	3,94
37700	145	14,8	3,46
37700	158	13,6	3,16
37700	173	12,4	2,88
37700	200	10,7	2,49
37700	222	9,66	2,25
37700	247	8,68	2,02
37700	277	7,75	1,81
37700	312	6,86	1,60
37700	354	6,06	1,41
37700	399	5,37	1,25
36500	440	4,71	1,14

P4C 346

Mn ₂ [Nm]	i	Pn ₁ [kW]	n ₂ [rpm]
66500	132	28,7	3,79
66500	143	26,5	3,50
66500	162	23,3	3,08
66500	177	21,4	2,83
66500	203	18,7	2,47
66500	223	17,0	2,24
66500	259	14,6	1,93
66500	289	13,1	1,73
66500	324	11,7	1,54
66500	367	10,3	1,36
66500	405	9,33	1,23
66500	460	8,23	1,09

P4C 396

Mn ₂ [Nm]	i	Pn ₁ [kW]	n ₂ [rpm]
77300	103	42,6	4,85
77300	118	37,2	4,23
77300	129	34,0	3,86
77300	142	31,0	3,52
77300	164	26,8	3,05
77300	182	24,2	2,75
77300	202	21,8	2,47
77300	226	19,4	2,21
77300	256	17,2	1,96
77300	287	15,3	1,74
77300	320	13,7	1,56
77300	361	12,2	1,39

P4C 406

Mn ₂ [Nm]	i	Pn ₁ [kW]	n ₂ [rpm]
96300	128	42,9	3,91
96300	147	37,4	3,41
96300	160	34,2	3,12
96300	176	31,1	2,84
96300	203	26,9	2,46
96300	225	24,3	2,22
96300	251	21,9	2,00
96300	281	19,5	1,78
96300	317	17,3	1,58
96300	356	15,4	1,41
96300	397	13,8	1,26
96300	447	12,2	1,12

B2C 176

Mn ₂ [Nm]	i	Pn ₁ [kW]	n ₂ [rpm]
6770	5,01	258	350
6770	5,49	235	319
6770	6,39	202	274
6770	7,06	183	248
6770	7,66	169	229
6770	8,82	147	198
6770	10,1	128	173
6770	10,9	118	160

B2C 216

Mn ₂ [Nm]	i	Pn ₁ [kW]	n ₂ [rpm]
13700	4,87	537	360
13700	5,33	490	328
13700	6,21	421	282
13700	6,86	381	255
13700	7,88	331	222
13700	8,57	305	204
13700	9,82	266	178
13700	10,6	246	165

B2C 266

Mn ₂ [Nm]	i	Pn ₁ [kW]	n ₂ [rpm]
21500	5,00	822	350
21500	5,48	749	319
21500	6,38	644	274
21500	7,05	583	248
21500	8,10	507	216
21500	8,81	466	199
21500	10,1	407	173
21500	10,9	377	160

B2C 316

Mn ₂ [Nm]	i	Pn ₁ [kW]	n ₂ [rpm]
33100	4,90	1290	357
34600	5,53	1190	316
36100	6,30	1100	278
37700	7,04	1020	249
38900	7,99	928	219
38900	8,69	854	201
38900	9,97	745	176
38900	10,8	689	163

B2C 196

Mn ₂ [Nm]	i	Pn ₁ [kW]	n ₂ [rpm]
8640	6,21	266	282
8640	6,80	242	257
8640	7,92	208	221
8640	8,75	189	200
8640	9,49	174	184
8640	10,9	151	160
8640	12,5	132	140
8640	13,5	122	129

B2C 246

Mn ₂ [Nm]	i	Pn ₁ [kW]	n ₂ [rpm]
17100	6,14	533	285
17100	6,73	486	260
17100	7,83	418	224
17100	8,65	378	202
17100	9,94	329	176
17100	10,8	303	162
17100	12,4	264	141
17100	13,4	244	131

B2C 276

Mn ₂ [Nm]	i	Pn ₁ [kW]	n ₂ [rpm]
27400	6,27	833	279
27400	6,88	760	255
27400	8,00	653	219
27400	8,84	591	198
27400	10,2	514	172
27400	11,0	473	158
27400	12,7	412	138
27400	13,7	382	128

B2C 346

Mn ₂ [Nm]	i	Pn ₁ [kW]	n ₂ [rpm]
42300	6,23	1300	281
43800	7,04	1190	249
45400	8,01	1080	219
46900	8,95	1000	196
47700	10,2	896	172
47700	11,1	824	158
47700	12,7	719	138
47700	13,7	665	128

B2C 396

Mn ₂ [Nm]	i	Pn ₁ [kW]	n ₂ [rpm]
49400	4,97	1900	352
50100	5,61	1700	312
53100	6,39	1590	274
54600	7,14	1460	245
57600	8,11	1360	216
58400	8,82	1260	198
58400	10,1	1100	173
58400	10,9	1020	160

B2C 406

Mn ₂ [Nm]	i	Pn ₁ [kW]	n ₂ [rpm]
61300	6,16	1900	284
62900	6,96	1720	252
65900	7,92	1590	221
68100	8,85	1470	198
71100	10,0	1350	174
72700	10,9	1270	160
72700	12,5	1110	140
72700	13,5	1030	129

B3C 176

Mn ₂ [Nm]	i	Pn ₁ [kW]	n ₂ [rpm]
7140	12,7	110	138
7450	14,0	104	125
7980	15,8	98,2	111
8590	17,4	96,2	101
8820	19,6	87,5	89,1
8820	22,0	78,3	79,7
8820	25,4	67,6	68,8
8820	27,9	61,6	62,8
8820	30,2	56,8	57,9
8820	34,8	49,3	50,2
8820	39,6	43,5	44,2
8820	43,1	39,8	40,6
8820	49,1	35,0	35,6
8820	55,2	31,1	31,7
8660	60,9	27,7	28,7
8360	69,4	23,5	25,2

B3C 216

Mn ₂ [Nm]	i	Pn ₁ [kW]	n ₂ [rpm]
12900	12,4	203	141
13800	13,5	200	129
15000	16,3	180	108
16000	17,7	177	98,9
16500	19,9	161	87,7
16500	22,1	145	79,0
16500	25,4	126	68,8
16500	28,1	114	62,2
16500	30,5	105	57,4
16500	35,1	91,5	49,8
16500	39,9	80,6	43,9
16500	43,5	73,9	40,2
16500	49,6	64,9	35,3
16500	55,7	57,7	31,4
16300	61,4	51,6	28,5
15200	70,0	42,3	25,0

B3C 266

Mn ₂ [Nm]	i	Pn ₁ [kW]	n ₂ [rpm]
21300	12,6	330	139
22400	14,1	309	124
23600	16,0	288	110
25800	18,0	280	97,4
27100	20,3	261	86,4
27100	22,2	238	78,8
27100	25,8	205	67,7
27100	28,6	185	61,3
27100	31,0	171	56,5
27100	35,7	148	49,0
27100	40,9	129	42,8
27100	44,2	120	39,6
27100	50,3	105	34,8
27100	56,6	93,5	30,9
27100	62,4	84,8	28,0
25800	71,1	70,8	24,6

B3C 196

Mn ₂ [Nm]	i	Pn ₁ [kW]	n ₂ [rpm]
9120	15,8	112	111
9580	17,3	108	101
10000	19,7	99,1	88,7
10800	21,6	97,5	81,1
11800	24,3	94,3	71,9
11800	27,2	84,4	64,3
11800	31,5	72,9	55,5
11800	34,6	66,5	50,6
11800	37,5	61,3	46,7
11800	43,2	53,2	40,5
11800	49,0	46,8	35,7
11800	53,5	42,9	32,7
11800	60,9	37,7	28,7
11800	68,5	33,5	25,6
10600	75,5	27,5	23,2
10600	86,0	24,1	20,3

B3C 246

Mn ₂ [Nm]	i	Pn ₁ [kW]	n ₂ [rpm]
16300	15,8	202	111
17600	17,0	201	103
19000	20,6	179	84,8
20100	22,3	176	78,4
20700	25,2	160	69,6
20700	27,9	144	62,7
20700	32,1	126	54,5
20700	35,5	114	49,3
20700	38,5	105	45,5
20700	44,3	91,0	39,5
20700	50,3	80,1	34,8
20700	54,9	73,4	31,9
20700	62,5	64,5	28,0
20700	70,3	57,4	24,9
20400	77,5	51,4	22,6
19200	88,3	42,3	19,8

B3C 276

Mn ₂ [Nm]	i	Pn ₁ [kW]	n ₂ [rpm]
27100	15,7	336	112
28500	17,7	313	98,7
29900	19,9	292	87,8
31800	22,5	275	77,7
33300	25,4	255	68,9
33300	27,8	233	62,9
33300	32,4	200	54,0
33300	35,8	181	48,9
33300	38,8	167	45,0
33300	44,7	145	39,1
33300	51,3	127	34,1
33300	55,4	117	31,6
33300	63,1	103	27,7
33300	71,0	91,5	24,7
33300	78,2	83,0	22,4
32700	89,1	71,5	19,6

B3C 316

Mn ₂ [Nm]	i	Pn ₁ [kW]	n ₂ [rpm]
39800	12,3	629	142
43100	13,8	608	127
45500	15,5	572	113
47100	17,4	528	101
48300	19,7	476	88,6
48300	21,6	435	80,9
48300	25,2	374	69,5
48300	27,8	338	62,9
48300	32,0	294	54,7
48300	34,8	271	50,3
48300	39,9	236	43,9
48300	43,1	218	40,6
48300	49,1	192	35,7
48300	55,2	171	31,7
48300	60,8	155	28,8
45600	69,3	128	25,3

B3C 346

Mn ₂ [Nm]	i	Pn ₁ [kW]	n ₂ [rpm]
50400	15,9	618	110
52800	17,6	586	99,6
55300	20,0	539	87,5
57500	22,1	506	79,1
58700	25,1	456	69,7
58700	27,5	416	63,6
58700	32,0	357	54,7
58700	35,4	323	49,4
58700	40,7	281	43,0
58700	44,2	259	39,6
58700	50,7	226	34,5
58700	54,8	209	32,0

B3C 396

Mn ₂ [Nm]	i	Pn ₁ [kW]	n ₂ [rpm]
60400	12,5	944	140
62000	13,7	881	128
63700	16,4	759	107
65900	18,0	714	97,3
68900	20,3	663	86,3
68900	22,2	605	78,7
68900	25,9	520	67,7
68900	28,6	470	61,2
68900	32,8	409	53,3
68900	35,7	376	49,0
68900	40,9	328	42,7
68900	44,2	304	39,6
68900	50,4	267	34,7
68900	56,6	237	30,9
58700	62,4	183	28,1
68900	62,4	215	28,0
58700	70,1	163	25,0
68900	71,2	189	24,6
58700	77,3	148	22,6
57000	88,1	126	19,9

B3C 406

Mn ₂ [Nm]	i	Pn ₁ [kW]	n ₂ [rpm]
75500	15,6	947	113
77500	17,0	889	103
79800	20,4	763	85,9
82100	22,3	718	78,5
85900	25,1	666	69,6
85900	27,5	608	63,5
85900	32,1	522	54,6
85900	35,4	473	49,4
85900	40,7	411	43,0
85900	44,3	378	39,5
85900	50,7	330	34,5
85900	54,8	305	31,9
85900	62,4	268	28,0
85900	70,2	238	24,9
85900	77,4	216	22,6
85900	88,2	190	19,8

B4C 176

Mn ₂ [Nm]	i	Pn ₁ [kW]	n ₂ [rpm]
8820	77,6	22,6	22,6
8820	86,7	20,2	20,2
8820	100	17,5	17,4
8820	110	15,9	15,9
8820	119	14,7	14,6
8820	138	12,8	12,7
8820	156	11,2	11,2
8820	170	10,3	10,3
8820	194	9,05	9,02
8820	218	8,05	8,02
8820	241	7,30	7,27
8820	274	6,41	6,38
8510	302	5,61	5,79

B4C 216

Mn ₂ [Nm]	i	Pn ₁ [kW]	n ₂ [rpm]
16500	79,3	41,4	22,1
16500	88,6	37,1	19,8
16500	103	32,0	17,1
16500	112	29,2	15,6
16500	122	26,9	14,3
16500	141	23,4	12,5
16500	160	20,6	11,0
16500	174	18,9	10,1
16500	198	16,6	8,83
16500	223	14,7	7,85
16500	246	13,4	7,12
16500	280	11,7	6,25
15600	309	10,1	5,67

B4C 266

Mn ₂ [Nm]	i	Pn ₁ [kW]	n ₂ [rpm]
27100	79,5	68,0	22,0
27100	88,8	60,8	19,7
27100	103	52,5	17,0
27100	113	47,9	15,5
27100	122	44,2	14,3
27100	141	38,3	12,4
27100	160	33,8	10,9
27100	175	31,0	10,0
27100	199	27,2	8,80
27100	224	24,2	7,83
27100	246	21,9	7,10
26800	281	19,0	6,23
25800	310	16,6	5,65

B4C 196

Mn ₂ [Nm]	i	Pn ₁ [kW]	n ₂ [rpm]
11800	96,2	24,4	18,2
11800	107	21,8	16,3
11800	124	18,9	14,1
11800	136	17,2	12,8
11800	148	15,8	11,8
11800	171	13,8	10,3
11800	194	12,1	9,04
11800	211	11,1	8,28
11800	241	9,75	7,27
11800	270	8,68	6,47
11800	298	7,87	5,87
11800	340	6,91	5,15
11000	374	5,86	4,67

B4C 246

Mn ₂ [Nm]	i	Pn ₁ [kW]	n ₂ [rpm]
20700	99,9	41,2	17,5
20700	112	36,9	15,7
20700	129	31,8	13,5
20700	142	29,0	12,3
20700	154	26,8	11,4
20700	177	23,2	9,88
20700	201	20,5	8,70
20700	220	18,8	7,97
20700	250	16,5	7,00
20700	281	14,7	6,23
20700	310	13,3	5,65
20100	353	11,4	4,96
19400	389	9,92	4,50

B4C 276

Mn ₂ [Nm]	i	Pn ₁ [kW]	n ₂ [rpm]
33600	99,7	67,1	17,6
33600	111	60,1	15,7
33600	129	51,9	13,6
33600	141	47,3	12,4
33600	153	43,6	11,4
33600	177	37,9	9,90
33600	201	33,3	8,72
33600	219	30,6	7,99
33600	249	26,8	7,02
33600	280	23,9	6,24
33600	309	21,7	5,66
33600	352	19,0	4,97
32700	388	16,8	4,51

B4C 316

Mn ₂ [Nm]	i	Pn ₁ [kW]	n ₂ [rpm]
46800	80,9	115	21,6
46800	89,9	104	19,5
46800	103	90,3	16,9
46800	114	81,7	15,3
46800	124	75,3	14,1
46800	143	65,4	12,3
46800	162	57,6	10,8
46800	177	52,8	9,91
46800	201	46,4	8,70
46800	226	41,2	7,74
46800	249	37,4	7,02
46800	284	32,8	6,16
45600	313	29,0	5,59

B4C 396

Mn ₂ [Nm]	i	Pn ₁ [kW]	n ₂ [rpm]
68900	82,1	167	21,3
68900	90,0	153	19,4
68900	105	131	16,7
68900	116	119	15,1
68900	126	109	13,9
68900	145	94,9	12,1
68900	166	82,8	10,6
68900	179	76,6	9,77
68900	204	67,3	8,58
68900	230	59,7	7,61
68900	253	54,3	6,92
68900	288	47,6	6,07
68900	318	43,2	5,51

B4C 346

Mn ₂ [Nm]	i	Pn ₁ [kW]	n ₂ [rpm]
59300	103	115	17,0
59300	114	103	15,3
59300	131	89,9	13,3
59300	145	81,4	12,1
59300	157	75,0	11,1
59300	181	65,1	9,65
59300	206	57,4	8,50
59300	225	52,6	7,79
59300	256	46,2	6,84
59300	287	41,1	6,09
59300	317	37,2	5,52
59300	361	32,7	4,84
57000	398	28,5	4,40

B4C 406

Mn ₂ [Nm]	i	Pn ₁ [kW]	n ₂ [rpm]
85900	102	168	17,2
85900	112	153	15,7
85900	130	132	13,5
85900	143	119	12,2
85900	156	110	11,2
85900	179	95,4	9,76
85900	205	83,2	8,52
85900	222	77,0	7,88
85900	253	67,6	6,92
85900	284	60,2	6,16
85900	313	54,6	5,58
85900	357	47,9	4,90
85900	394	43,5	4,45

B2C 176

Mn ₂ [Nm]	i	Pn ₁ [kW]	n ₂ [rpm]
7520	5,01	229	280
7520	5,49	209	255
7520	6,39	180	219
7520	7,06	163	198
7520	7,66	150	183
7520	8,82	130	159
7520	10,1	114	139
7520	10,9	105	128

B2C 216

Mn ₂ [Nm]	i	Pn ₁ [kW]	n ₂ [rpm]
15200	4,87	477	288
15200	5,33	435	263
15200	6,21	374	226
15200	6,86	338	204
15200	7,88	295	178
15200	8,57	271	163
15200	9,82	236	143
15200	10,6	219	132

B2C 266

Mn ₂ [Nm]	i	Pn ₁ [kW]	n ₂ [rpm]
23900	5,00	730	280
23900	5,48	666	255
23900	6,38	572	219
23900	7,05	518	198
23900	8,10	451	173
23900	8,81	415	159
23900	10,1	362	139
23900	10,9	335	128

B2C 316

Mn ₂ [Nm]	i	Pn ₁ [kW]	n ₂ [rpm]
36800	4,90	1150	286
38500	5,53	1060	253
40200	6,30	974	222
41900	7,04	910	199
43200	7,99	825	175
43200	8,69	759	161
43200	9,97	662	140
43200	10,8	613	130

B2C 196

Mn ₂ [Nm]	i	Pn ₁ [kW]	n ₂ [rpm]
9600	6,21	236	226
9600	6,80	216	206
9600	7,92	185	177
9600	8,75	168	160
9600	9,49	154	148
9600	10,9	134	128
9600	12,5	117	112
9600	13,5	108	103

B2C 246

Mn ₂ [Nm]	i	Pn ₁ [kW]	n ₂ [rpm]
19000	6,14	474	228
19000	6,73	432	208
19000	7,83	372	179
19000	8,65	336	162
19000	9,94	293	141
19000	10,8	269	130
19000	12,4	235	113
19000	13,4	217	105

B2C 276

Mn ₂ [Nm]	i	Pn ₁ [kW]	n ₂ [rpm]
30400	6,27	740	223
30400	6,88	675	204
30400	8,00	580	175
30400	8,84	525	158
30400	10,2	457	138
30400	11,0	420	127
30400	12,7	367	111
30400	13,7	339	102

B2C 346

Mn ₂ [Nm]	i	Pn ₁ [kW]	n ₂ [rpm]
47000	6,23	1150	225
48700	7,04	1060	199
50500	8,01	963	175
52200	8,95	890	156
53000	10,2	797	138
53000	11,1	733	127
53000	12,7	639	110
53000	13,7	592	102

B2C 396

Mn ₂ [Nm]	i	Pn ₁ [kW]	n ₂ [rpm]
54900	4,97	1690	282
55700	5,61	1510	249
59000	6,39	1410	219
60700	7,14	1300	196
64000	8,11	1210	173
64900	8,82	1120	159
64900	10,1	980	139
64900	10,9	907	128

B2C 406

Mn ₂ [Nm]	i	Pn ₁ [kW]	n ₂ [rpm]
68200	6,16	1690	227
69800	6,96	1530	201
73200	7,92	1410	177
75700	8,85	1310	158
79000	10,0	1200	139
80800	10,9	1130	128
80800	12,5	985	112
80800	13,5	911	103

B3C 176

Mn ₂ [Nm]	i	Pn ₁ [kW]	n ₂ [rpm]
7520	12,7	92,3	110
7840	14,0	87,6	100
8400	15,8	82,7	88,4
9040	17,4	81,0	80,4
9280	19,6	73,7	71,3
9280	22,0	65,9	63,8
9280	25,4	56,9	55,1
9280	27,9	51,9	50,2
9280	30,2	47,9	46,3
9280	34,8	41,6	40,2
9280	39,6	36,6	35,4
9280	43,1	33,5	32,4
9280	49,1	29,5	28,5
9280	55,2	26,2	25,3
9120	60,9	23,4	23,0
8800	69,4	19,8	20,2

B3C 216

Mn ₂ [Nm]	i	Pn ₁ [kW]	n ₂ [rpm]
13600	12,4	171	113
14600	13,5	168	104
15800	16,3	152	86,0
16900	17,7	149	79,1
17400	19,9	136	70,2
17400	22,1	122	63,2
17400	25,4	106	55,0
17400	28,1	96,3	49,8
17400	30,5	88,7	45,9
17400	35,1	77,1	39,9
17400	39,9	67,9	35,1
17400	43,5	62,2	32,2
17400	49,6	54,6	28,2
17400	55,7	48,6	25,1
17100	61,4	43,5	22,8
16000	70,0	35,6	20,0

B3C 266

Mn ₂ [Nm]	i	Pn ₁ [kW]	n ₂ [rpm]
22400	12,6	278	112
23600	14,1	260	99,0
24800	16,0	242	87,8
27100	18,0	235	77,9
28600	20,3	220	69,1
28600	22,2	201	63,0
28600	25,8	172	54,2
28600	28,6	156	49,0
28600	31,0	144	45,2
28600	35,7	125	39,2
28600	40,9	109	34,2
28600	44,2	101	31,7
28600	50,3	88,5	27,8
28600	56,6	78,7	24,7
28600	62,4	71,4	22,4
27200	71,1	59,7	19,7

B3C 196

Mn ₂ [Nm]	i	Pn ₁ [kW]	n ₂ [rpm]
9600	15,8	94,6	88,5
10100	17,3	90,8	80,9
10600	19,7	83,5	71,0
11400	21,6	82,1	64,9
12400	24,3	79,4	57,5
12400	27,2	71,1	51,4
12400	31,5	61,4	44,4
12400	34,6	56,0	40,5
12400	37,5	51,6	37,3
12400	43,2	44,8	32,4
12400	49,0	39,4	28,6
12400	53,5	36,2	26,2
12400	60,9	31,8	23,0
12400	68,5	28,2	20,4
11200	75,5	23,1	18,5
11200	86,0	20,3	16,3

B3C 246

Mn ₂ [Nm]	i	Pn ₁ [kW]	n ₂ [rpm]
17200	15,8	170	88,8
18500	17,0	169	82,2
20000	20,6	151	67,8
21200	22,3	148	62,8
21800	25,2	135	55,7
21800	27,9	122	50,1
21800	32,1	106	43,6
21800	35,5	95,7	39,5
21800	38,5	88,2	36,4
21800	44,3	76,6	31,6
21800	50,3	67,5	27,8
21800	54,9	61,8	25,5
21800	62,5	54,3	22,4
21800	70,3	48,3	19,9
21500	77,5	43,3	18,1
20200	88,3	35,6	15,9

B3C 276

Mn ₂ [Nm]	i	Pn ₁ [kW]	n ₂ [rpm]
28500	15,7	283	89,2
30000	17,7	264	79,0
31400	19,9	246	70,2
33400	22,5	232	62,2
35000	25,4	215	55,1
35000	27,8	196	50,3
35000	32,4	169	43,2
35000	35,8	153	39,1
35000	38,8	141	36,0
35000	44,7	122	31,3
35000	51,3	107	27,3
35000	55,4	98,6	25,3
35000	63,1	86,6	22,2
35000	71,0	77,0	19,7
35000	78,2	69,9	17,9
34400	89,1	60,2	15,7

B3C 316

Mn ₂ [Nm]	i	Pn ₁ [kW]	n ₂ [rpm]
41900	12,3	530	114
45400	13,8	512	101
47900	15,5	481	90,2
49600	17,4	445	80,5
50800	19,7	401	70,9
50800	21,6	366	64,7
50800	25,2	315	55,6
50800	27,8	285	50,3
50800	32,0	248	43,8
50800	34,8	228	40,3
50800	39,9	199	35,1
50800	43,1	184	32,5
50800	49,1	161	28,5
50800	55,2	144	25,4
50800	60,8	130	23,0
48000	69,3	108	20,2

B3C 396

Mn ₂ [Nm]	i	Pn ₁ [kW]	n ₂ [rpm]
63600	12,5	795	112
65300	13,7	742	102
67000	16,4	639	85,6
69400	18,0	602	77,9
72600	20,3	558	69,0
72600	22,2	509	63,0
72600	25,9	438	54,1
72600	28,6	396	49,0
72600	32,8	345	42,6
72600	35,7	317	39,2
72600	40,9	276	34,2
72600	44,2	256	31,6
72600	50,4	225	27,8
72600	56,6	200	24,7
61800	62,4	154	22,4
72600	62,4	181	22,4
61800	70,1	137	20,0
72600	71,2	159	19,7
61800	77,3	125	18,1
60000	88,1	106	15,9

B3C 346

Mn ₂ [Nm]	i	Pn ₁ [kW]	n ₂ [rpm]
53000	15,9	521	88,1
55600	17,6	493	79,7
58200	20,0	454	70,0
60500	22,1	427	63,3
61800	25,1	384	55,8
61800	27,5	350	50,9
61800	32,0	301	43,7
61800	35,4	272	39,6
61800	40,7	237	34,4
61800	44,2	218	31,7
61800	50,7	190	27,6
61800	54,8	176	25,6

B3C 406

Mn ₂ [Nm]	i	Pn ₁ [kW]	n ₂ [rpm]
79500	15,6	797	90,0
81600	17,0	748	82,3
84000	20,4	643	68,7
86400	22,3	605	62,8
90400	25,1	561	55,7
90400	27,5	512	50,8
90400	32,1	440	43,7
90400	35,4	398	39,5
90400	40,7	346	34,4
90400	44,3	319	31,6
90400	50,7	278	27,6
90400	54,8	257	25,5
90400	62,4	226	22,4
90400	70,2	201	19,9
90400	77,4	182	18,1
90400	88,2	160	15,9

B4C 176

Mn ₂ [Nm]	i	Pn ₁ [kW]	n ₂ [rpm]
9280	77,6	19,1	18,0
9280	86,7	17,1	16,1
9280	100	14,7	13,9
9280	110	13,4	12,7
9280	119	12,4	11,7
9280	138	10,7	10,2
9280	156	9,47	8,96
9280	170	8,68	8,21
9280	194	7,62	7,21
9280	218	6,78	6,42
9280	241	6,15	5,82
9280	274	5,39	5,11
8960	302	4,73	4,63

B4C 216

Mn ₂ [Nm]	i	Pn ₁ [kW]	n ₂ [rpm]
17400	79,3	34,9	17,7
17400	88,6	31,2	15,8
17400	103	27,0	13,6
17400	112	24,6	12,4
17400	122	22,7	11,5
17400	141	19,7	9,96
17400	160	17,3	8,77
17400	174	15,9	8,04
17400	198	14,0	7,06
17400	223	12,4	6,28
17400	246	11,3	5,70
17400	280	9,88	5,00
16400	309	8,47	4,54

B4C 266

Mn ₂ [Nm]	i	Pn ₁ [kW]	n ₂ [rpm]
28600	79,5	57,2	17,6
28600	88,8	51,2	15,8
28600	103	44,2	13,6
28600	113	40,3	12,4
28600	122	37,2	11,4
28600	141	32,3	9,93
28600	160	28,4	8,75
28600	175	26,1	8,02
28600	199	22,9	7,04
28600	224	20,4	6,26
28600	246	18,5	5,68
28200	281	16,0	4,98
27200	310	14,0	4,52

B4C 196

Mn ₂ [Nm]	i	Pn ₁ [kW]	n ₂ [rpm]
12400	96,2	20,5	14,6
12400	107	18,4	13,0
12400	124	15,9	11,2
12400	136	14,5	10,3
12400	148	13,3	9,45
12400	171	11,6	8,21
12400	194	10,2	7,23
12400	211	9,35	6,63
12400	241	8,21	5,82
12400	270	7,31	5,18
12400	298	6,63	4,70
12400	340	5,82	4,12
11600	374	4,94	3,74

B4C 246

Mn ₂ [Nm]	i	Pn ₁ [kW]	n ₂ [rpm]
21800	99,9	34,7	14,0
21800	112	31,0	12,5
21800	129	26,8	10,8
21800	142	24,4	9,87
21800	154	22,5	9,10
21800	177	19,6	7,90
21800	201	17,2	6,96
21800	220	15,8	6,38
21800	250	13,9	5,60
21800	281	12,3	4,98
21800	310	11,2	4,52
21200	353	9,57	3,96
20400	389	8,35	3,60

B4C 276

Mn ₂ [Nm]	i	Pn ₁ [kW]	n ₂ [rpm]
35400	99,7	56,5	14,0
35400	111	50,6	12,6
35400	129	43,7	10,9
35400	141	39,8	9,90
35400	153	36,7	9,12
35400	177	31,9	7,92
35400	201	28,1	6,98
35400	219	25,7	6,40
35400	249	22,6	5,62
35400	280	20,1	5,00
35400	309	18,2	4,53
35400	352	16,0	3,98
34400	388	14,1	3,61

B4C 316

Mn ₂ [Nm]	i	Pn ₁ [kW]	n ₂ [rpm]
49300	80,9	97,0	17,3
49300	89,9	87,4	15,6
49300	103	76,0	13,6
49300	114	68,8	12,3
49300	124	63,4	11,3
49300	143	55,1	9,82
49300	162	48,5	8,65
49300	177	44,5	7,93
49300	201	39,0	6,96
49300	226	34,7	6,19
49300	249	31,5	5,62
49300	284	27,6	4,93
48000	313	24,4	4,47

B4C 396

Mn ₂ [Nm]	i	Pn ₁ [kW]	n ₂ [rpm]
72600	82,1	141	17,0
72600	90,0	128	15,6
72600	105	110	13,4
72600	116	99,9	12,1
72600	126	92,1	11,1
72600	145	79,9	9,68
72600	166	69,7	8,44
72600	179	64,5	7,81
72600	204	56,7	6,86
72600	230	50,3	6,09
72600	253	45,7	5,54
72600	288	40,1	4,86
72600	318	36,4	4,41

B4C 346

Mn ₂ [Nm]	i	Pn ₁ [kW]	n ₂ [rpm]
62400	103	96,6	13,6
62400	114	87,0	12,3
62400	131	75,7	10,7
62400	145	68,5	9,65
62400	157	63,2	8,89
62400	181	54,9	7,72
62400	206	48,3	6,80
62400	225	44,3	6,23
62400	256	38,9	5,47
62400	287	34,6	4,87
62400	317	31,4	4,42
62400	361	27,5	3,88
60000	398	24,0	3,52

B4C 406

Mn ₂ [Nm]	i	Pn ₁ [kW]	n ₂ [rpm]
90400	102	142	13,8
90400	112	129	12,5
90400	130	111	10,8
90400	143	100	9,76
90400	156	92,5	8,99
90400	179	80,4	7,81
90400	205	70,1	6,81
90400	222	64,9	6,30
90400	253	57,0	5,54
90400	284	50,7	4,92
90400	313	46,0	4,47
90400	357	40,3	3,92
90400	394	36,6	3,56

B2C 176

Mn ₂ [Nm]	i	Pn ₁ [kW]	n ₂ [rpm]
7670	5,01	191	228
7670	5,49	174	208
7670	6,39	149	179
7670	7,06	135	162
7670	7,66	125	149
7670	8,82	108	129
7670	10,1	94,4	113
7670	10,9	87,3	104

B2C 216

Mn ₂ [Nm]	i	Pn ₁ [kW]	n ₂ [rpm]
15500	4,87	396	234
15500	5,33	361	214
15500	6,21	311	184
15500	6,86	281	166
15500	7,88	245	145
15500	8,57	225	133
15500	9,82	196	116
15500	10,6	182	107

B2C 266

Mn ₂ [Nm]	i	Pn ₁ [kW]	n ₂ [rpm]
24400	5,00	607	228
24400	5,48	553	208
24400	6,38	475	179
24400	7,05	430	162
24400	8,10	375	141
24400	8,81	344	129
24400	10,1	300	113
24400	10,9	278	104

B2C 316

Mn ₂ [Nm]	i	Pn ₁ [kW]	n ₂ [rpm]
37500	4,90	953	233
39200	5,53	882	206
41000	6,30	809	181
42800	7,04	756	162
44100	7,99	685	143
44100	8,69	630	131
44100	9,97	550	114
44100	10,8	509	106

B2C 196

Mn ₂ [Nm]	i	Pn ₁ [kW]	n ₂ [rpm]
9790	6,21	196	184
9790	6,80	179	168
9790	7,92	154	144
9790	8,75	139	130
9790	9,49	128	120
9790	10,9	111	104
9790	12,5	97,2	91,0
9790	13,5	89,9	84,2

B2C 246

Mn ₂ [Nm]	i	Pn ₁ [kW]	n ₂ [rpm]
19400	6,14	394	186
19400	6,73	359	170
19400	7,83	309	146
19400	8,65	279	132
19400	9,94	243	115
19400	10,8	224	106
19400	12,4	195	92,0
19400	13,4	180	85,2

B2C 276

Mn ₂ [Nm]	i	Pn ₁ [kW]	n ₂ [rpm]
31000	6,27	615	182
31000	6,88	561	166
31000	8,00	482	143
31000	8,84	436	129
31000	10,2	380	112
31000	11,0	349	103
31000	12,7	305	90,0
31000	13,7	282	83,3

B2C 346

Mn ₂ [Nm]	i	Pn ₁ [kW]	n ₂ [rpm]
48000	6,23	958	183
49700	7,04	878	162
51500	8,01	800	142
53200	8,95	739	127
54100	10,2	662	112
54100	11,1	609	103
54100	12,7	531	90,0
54100	13,7	491	83,3

B2C 396

Mn ₂ [Nm]	i	Pn ₁ [kW]	n ₂ [rpm]
56000	4,97	1400	230
56800	5,61	1260	203
60200	6,39	1170	179
61900	7,14	1080	160
65300	8,11	1000	141
66200	8,82	933	129
66200	10,1	814	113
66200	10,9	753	104

B2C 406

Mn ₂ [Nm]	i	Pn ₁ [kW]	n ₂ [rpm]
69500	6,16	1400	185
71200	6,96	1270	164
74700	7,92	1170	144
77200	8,85	1080	129
80600	10,0	998	113
82400	10,9	938	104
82400	12,5	818	91,0
82400	13,5	757	84,2

B3C 176

Mn ₂ [Nm]	i	Pn ₁ [kW]	n ₂ [rpm]
7670	12,7	76,7	89,7
8000	14,0	72,7	81,6
8570	15,8	68,7	72,0
9220	17,4	67,3	65,5
9470	19,6	61,2	58,0
9470	22,0	54,8	51,9
9470	25,4	47,3	44,8
9470	27,9	43,1	40,9
9470	30,2	39,7	37,7
9470	34,8	34,5	32,7
9470	39,6	30,4	28,8
9470	43,1	27,9	26,4
9470	49,1	24,5	23,2
9470	55,2	21,8	20,6
9300	60,9	19,4	18,7
8980	69,4	16,4	16,4

B3C 216

Mn ₂ [Nm]	i	Pn ₁ [kW]	n ₂ [rpm]
13900	12,4	142	91,7
14900	13,5	140	84,4
16200	16,3	126	70,0
17200	17,7	124	64,4
17700	19,9	113	57,1
17700	22,1	102	51,5
17700	25,4	88,4	44,8
17700	28,1	80,0	40,5
17700	30,5	73,7	37,4
17700	35,1	64,0	32,4
17700	39,9	56,4	28,6
17700	43,5	51,7	26,2
17700	49,6	45,4	23,0
17700	55,7	40,4	20,5
17500	61,4	36,1	18,6
16300	70,0	29,6	16,3

B3C 266

Mn ₂ [Nm]	i	Pn ₁ [kW]	n ₂ [rpm]
22800	12,6	231	90,8
24100	14,1	216	80,6
25300	16,0	201	71,5
27700	18,0	196	63,5
29100	20,3	183	56,3
29100	22,2	167	51,3
29100	25,8	143	44,1
29100	28,6	130	39,9
29100	31,0	119	36,8
29100	35,7	104	32,0
29100	40,9	90,4	27,9
29100	44,2	83,7	25,8
29100	50,3	73,5	22,6
29100	56,6	65,4	20,1
29100	62,4	59,3	18,3
27700	71,1	49,6	16,0

B3C 196

Mn ₂ [Nm]	i	Pn ₁ [kW]	n ₂ [rpm]
9790	15,8	78,6	72,0
10300	17,3	75,4	65,9
10800	19,7	69,3	57,8
11600	21,6	68,2	52,8
12600	24,3	66,0	46,8
12600	27,2	59,0	41,9
12600	31,5	51,0	36,2
12600	34,6	46,5	33,0
12600	37,5	42,8	30,4
12600	43,2	37,2	26,4
12600	49,0	32,8	23,3
12600	53,5	30,0	21,3
12600	60,9	26,4	18,7
12600	68,5	23,5	16,7
11400	75,5	19,2	15,1
11400	86,0	16,9	13,3

B3C 246

Mn ₂ [Nm]	i	Pn ₁ [kW]	n ₂ [rpm]
17500	15,8	141	72,3
18800	17,0	140	66,9
20400	20,6	125	55,2
21600	22,3	123	51,1
22200	25,2	112	45,3
22200	27,9	101	40,8
22200	32,1	87,9	35,5
22200	35,5	79,5	32,1
22200	38,5	73,3	29,6
22200	44,3	63,6	25,7
22200	50,3	56,0	22,7
22200	54,9	51,4	20,8
22200	62,5	45,1	18,2
22200	70,3	40,1	16,2
22000	77,5	36,0	14,7
20600	88,3	29,6	12,9

B3C 276

Mn ₂ [Nm]	i	Pn ₁ [kW]	n ₂ [rpm]
29000	15,7	235	72,6
30600	17,7	219	64,3
32100	19,9	204	57,2
34100	22,5	192	50,6
35700	25,4	179	44,9
35700	27,8	163	40,9
35700	32,4	140	35,2
35700	35,8	127	31,8
35700	38,8	117	29,3
35700	44,7	101	25,5
35700	51,3	88,5	22,2
35700	55,4	81,9	20,6
35700	63,1	71,9	18,1
35700	71,0	64,0	16,1
35700	78,2	58,0	14,6
35100	89,1	50,0	12,8

B3C 316

Mn ₂ [Nm]	i	Pn ₁ [kW]	n ₂ [rpm]
42800	12,3	440	92,4
46300	13,8	425	82,5
48900	15,5	400	73,4
50600	17,4	369	65,5
51800	19,7	333	57,7
51800	21,6	304	52,7
51800	25,2	261	45,3
51800	27,8	236	41,0
51800	32,0	206	35,7
51800	34,8	189	32,8
51800	39,9	165	28,6
51800	43,1	153	26,5
51800	49,1	134	23,2
51800	55,2	119	20,7
51800	60,8	108	18,7
49000	69,3	89,7	16,5

B3C 396

Mn ₂ [Nm]	i	Pn ₁ [kW]	n ₂ [rpm]
64900	12,5	660	91,3
66600	13,7	616	83,1
68400	16,4	531	69,7
70700	18,0	500	63,4
74000	20,3	464	56,2
74000	22,2	423	51,3
74000	25,9	363	44,1
74000	28,6	329	39,9
74000	32,8	286	34,7
74000	35,7	263	31,9
74000	40,9	230	27,8
74000	44,2	212	25,8
74000	50,4	187	22,6
74000	56,6	166	20,1
63000	62,4	128	18,3
74000	62,4	151	18,3
63000	70,1	114	16,3
74000	71,2	132	16,0
63000	77,3	103	14,7
61200	88,1	88,2	12,9

B3C 346

Mn ₂ [Nm]	i	Pn ₁ [kW]	n ₂ [rpm]
54100	15,9	432	71,8
56700	17,6	410	64,9
59300	20,0	377	57,0
61700	22,1	354	51,6
63000	25,1	319	45,4
63000	27,5	291	41,4
63000	32,0	250	35,6
63000	35,4	226	32,2
63000	40,7	197	28,0
63000	44,2	181	25,8
63000	50,7	158	22,5
63000	54,8	146	20,8

B3C 406

Mn ₂ [Nm]	i	Pn ₁ [kW]	n ₂ [rpm]
81100	15,6	662	73,3
83200	17,0	621	67,0
85700	20,4	534	55,9
88100	22,3	502	51,2
92200	25,1	466	45,4
92200	27,5	425	41,4
92200	32,1	365	35,6
92200	35,4	330	32,2
92200	40,7	288	28,0
92200	44,3	265	25,8
92200	50,7	231	22,5
92200	54,8	214	20,8
92200	62,4	188	18,3
92200	70,2	167	16,2
92200	77,4	151	14,7
92200	88,2	133	12,9

B4C 176

Mn ₂ [Nm]	i	Pn ₁ [kW]	n ₂ [rpm]
9470	77,6	15,8	14,7
9470	86,7	14,2	13,1
9470	100	12,2	11,4
9470	110	11,2	10,4
9470	119	10,3	9,54
9470	138	8,93	8,29
9470	156	7,86	7,30
9470	170	7,21	6,69
9470	194	6,33	5,87
9470	218	5,63	5,22
9470	241	5,11	4,74
9470	274	4,48	4,16
9140	302	3,93	3,77

B4C 216

Mn ₂ [Nm]	i	Pn ₁ [kW]	n ₂ [rpm]
17700	79,3	29,0	14,4
17700	88,6	25,9	12,9
17700	103	22,4	11,1
17700	112	20,4	10,1
17700	122	18,8	9,34
17700	141	16,3	8,11
17700	160	14,4	7,14
17700	174	13,2	6,55
17700	198	11,6	5,75
17700	223	10,3	5,11
17700	246	9,35	4,64
17700	280	8,20	4,07
16700	309	7,03	3,69

B4C 266

Mn ₂ [Nm]	i	Pn ₁ [kW]	n ₂ [rpm]
29100	79,5	47,5	14,3
29100	88,8	42,5	12,8
29100	103	36,7	11,1
29100	113	33,5	10,1
29100	122	30,9	9,31
29100	141	26,8	8,09
29100	160	23,6	7,12
29100	175	21,6	6,53
29100	199	19,0	5,73
29100	224	16,9	5,10
29100	246	15,3	4,63
28800	281	13,3	4,06
27700	310	11,6	3,68

B4C 196

Mn ₂ [Nm]	i	Pn ₁ [kW]	n ₂ [rpm]
12600	96,2	17,1	11,9
12600	107	15,3	10,6
12600	124	13,2	9,16
12600	136	12,0	8,35
12600	148	11,1	7,70
12600	171	9,62	6,69
12600	194	8,48	5,89
12600	211	7,77	5,40
12600	241	6,82	4,74
12600	270	6,07	4,22
12600	298	5,50	3,82
12600	340	4,83	3,36
11800	374	4,10	3,04

B4C 246

Mn ₂ [Nm]	i	Pn ₁ [kW]	n ₂ [rpm]
22200	99,9	28,8	11,4
22200	112	25,8	10,2
22200	129	22,3	8,81
22200	142	20,3	8,04
22200	154	18,7	7,41
22200	177	16,3	6,43
22200	201	14,3	5,67
22200	220	13,1	5,19
22200	250	11,5	4,56
22200	281	10,2	4,06
22200	310	9,29	3,68
21600	353	7,95	3,23
20800	389	6,94	2,93

B4C 276

Mn ₂ [Nm]	i	Pn ₁ [kW]	n ₂ [rpm]
36100	99,7	47,0	11,4
36100	111	42,0	10,2
36100	129	36,3	8,84
36100	141	33,1	8,06
36100	153	30,5	7,43
36100	177	26,5	6,45
36100	201	23,3	5,68
36100	219	21,4	5,21
36100	249	18,8	4,57
36100	280	16,7	4,07
36100	309	15,1	3,69
36100	352	13,3	3,24
35100	388	11,7	2,94

B4C 316

Mn ₂ [Nm]	i	Pn ₁ [kW]	n ₂ [rpm]
50300	80,9	80,6	14,1
50300	89,9	72,6	12,7
50300	103	63,2	11,0
50300	114	57,1	9,99
50300	124	52,7	9,21
50300	143	45,7	8,00
50300	162	40,3	7,04
50300	177	36,9	6,45
50300	201	32,4	5,67
50300	226	28,8	5,04
50300	249	26,2	4,57
50300	284	23,0	4,01
49000	313	20,3	3,64

B4C 396

Mn ₂ [Nm]	i	Pn ₁ [kW]	n ₂ [rpm]
74000	82,1	117	13,9
74000	90,0	107	12,7
74000	105	91,7	10,9
74000	116	82,9	9,85
74000	126	76,5	9,08
74000	145	66,4	7,88
74000	166	57,9	6,88
74000	179	53,6	6,36
74000	204	47,1	5,59
74000	230	41,8	4,96
74000	253	38,0	4,51
74000	288	33,3	3,96
74000	318	30,2	3,59

B4C 346

Mn ₂ [Nm]	i	Pn ₁ [kW]	n ₂ [rpm]
63600	103	80,2	11,1
63600	114	72,3	9,98
63600	131	62,9	8,68
63600	145	56,9	7,86
63600	157	52,5	7,24
63600	181	45,6	6,29
63600	206	40,1	5,54
63600	225	36,8	5,08
63600	256	32,3	4,46
63600	287	28,7	3,97
63600	317	26,1	3,60
63600	361	22,9	3,16
61200	398	19,9	2,86

B4C 406

Mn ₂ [Nm]	i	Pn ₁ [kW]	n ₂ [rpm]
92200	102	118	11,2
92200	112	107	10,2
92200	130	92,2	8,78
92200	143	83,4	7,94
92200	156	76,9	7,32
92200	179	66,7	6,36
92200	205	58,2	5,55
92200	222	53,9	5,13
92200	253	47,3	4,51
92200	284	42,1	4,01
92200	313	38,2	3,64
92200	357	33,5	3,19
92200	394	30,4	2,90

B2C 176

Mn ₂ [Nm]	i	Pn ₁ [kW]	n ₂ [rpm]
7820	5,01	153	180
7820	5,49	140	164
7820	6,39	120	141
7820	7,06	109	128
7820	7,66	100	118
7820	8,82	87,1	102
7820	10,1	76,0	89,0
7820	10,9	70,3	82,4

B2C 216

Mn ₂ [Nm]	i	Pn ₁ [kW]	n ₂ [rpm]
15800	4,87	319	185
15800	5,33	291	169
15800	6,21	250	145
15800	6,86	226	131
15800	7,88	197	114
15800	8,57	181	105
15800	9,82	158	91,6
15800	10,6	146	84,8

B2C 266

Mn ₂ [Nm]	i	Pn ₁ [kW]	n ₂ [rpm]
24900	5,00	488	180
24900	5,48	445	164
24900	6,38	383	141
24900	7,05	346	128
24900	8,10	301	111
24900	8,81	277	102
24900	10,1	242	89,1
24900	10,9	224	82,5

B2C 316

Mn ₂ [Nm]	i	Pn ₁ [kW]	n ₂ [rpm]
38300	4,90	767	184
40000	5,53	710	163
41800	6,30	651	143
43600	7,04	608	128
44900	7,99	552	113
44900	8,69	507	104
44900	9,97	443	90,3
44900	10,8	410	83,6

B2C 196

Mn ₂ [Nm]	i	Pn ₁ [kW]	n ₂ [rpm]
9980	6,21	158	145
9980	6,80	144	132
9980	7,92	124	114
9980	8,75	112	103
9980	9,49	103	94,8
9980	10,9	89,7	82,4
9980	12,5	78,2	71,8
9980	13,5	72,4	66,5

B2C 246

Mn ₂ [Nm]	i	Pn ₁ [kW]	n ₂ [rpm]
19800	6,14	317	147
19800	6,73	289	134
19800	7,83	248	115
19800	8,65	225	104
19800	9,94	196	90,6
19800	10,8	180	83,3
19800	12,4	157	72,7
19800	13,4	145	67,2

B2C 276

Mn ₂ [Nm]	i	Pn ₁ [kW]	n ₂ [rpm]
31600	6,27	495	144
31600	6,88	451	131
31600	8,00	388	113
31600	8,84	351	102
31600	10,2	306	88,6
31600	11,0	281	81,5
31600	12,7	245	71,1
31600	13,7	227	65,8

B2C 346

Mn ₂ [Nm]	i	Pn ₁ [kW]	n ₂ [rpm]
48900	6,23	771	145
50700	7,04	707	128
52500	8,01	644	112
54200	8,95	595	101
55200	10,2	533	88,5
55200	11,1	490	81,4
55200	12,7	427	71,0
55200	13,7	395	65,7

B2C 396

Mn ₂ [Nm]	i	Pn ₁ [kW]	n ₂ [rpm]
57100	4,97	1130	181
57900	5,61	1010	160
61400	6,39	944	141
63100	7,14	868	126
66600	8,11	806	111
67500	8,82	751	102
67500	10,1	655	89,0
67500	10,9	606	82,4

B2C 406

Mn ₂ [Nm]	i	Pn ₁ [kW]	n ₂ [rpm]
70900	6,16	1130	146
72600	6,96	1020	129
76100	7,92	944	114
78700	8,85	873	102
82200	10,0	803	89,6
84000	10,9	755	82,4
84000	12,5	658	71,8
84000	13,5	609	66,5

B3C 176

Mn ₂ [Nm]	i	Pn ₁ [kW]	n ₂ [rpm]
7820	12,7	61,7	70,8
8150	14,0	58,5	64,5
8740	15,8	55,3	56,8
9400	17,4	54,1	51,7
9650	19,6	49,3	45,8
9650	22,0	44,1	41,0
9650	25,4	38,1	35,4
9650	27,9	34,7	32,3
9650	30,2	32,0	29,8
9650	34,8	27,8	25,8
9650	39,6	24,5	22,8
9650	43,1	22,4	20,9
9650	49,1	19,7	18,3
9650	55,2	17,5	16,3
9480	60,9	15,6	14,8
9150	69,4	13,2	13,0

B3C 216

Mn ₂ [Nm]	i	Pn ₁ [kW]	n ₂ [rpm]
14100	12,4	114	72,4
15100	13,5	112	66,6
16500	16,3	101	55,3
17600	17,7	99,5	50,9
18100	19,9	90,7	45,1
18100	22,1	81,7	40,6
18100	25,4	71,1	35,4
18100	28,1	64,4	32,0
18100	30,5	59,3	29,5
18100	35,1	51,5	25,6
18100	39,9	45,4	22,6
18100	43,5	41,6	20,7
18100	49,6	36,5	18,2
18100	55,7	32,5	16,2
17800	61,4	29,1	14,6
16600	70,0	23,8	12,9

B3C 266

Mn ₂ [Nm]	i	Pn ₁ [kW]	n ₂ [rpm]
23300	12,6	186	71,7
24500	14,1	174	63,7
25800	16,0	162	56,4
28200	18,0	157	50,1
29700	20,3	147	44,4
29700	22,2	134	40,5
29700	25,8	115	34,8
29700	28,6	104	31,5
29700	31,0	96,1	29,0
29700	35,7	83,5	25,2
29700	40,9	72,8	22,0
29700	44,2	67,4	20,4
29700	50,3	59,2	17,9
29700	56,6	52,6	15,9
29700	62,4	47,7	14,4
28300	71,1	39,9	12,7

B3C 196

Mn ₂ [Nm]	i	Pn ₁ [kW]	n ₂ [rpm]
9980	15,8	63,2	56,9
10500	17,3	60,7	52,0
11000	19,7	55,8	45,6
11800	21,6	54,9	41,7
12900	24,3	53,1	37,0
12900	27,2	47,5	33,1
12900	31,5	41,0	28,6
12900	34,6	37,4	26,0
12900	37,5	34,5	24,0
12900	43,2	30,0	20,8
12900	49,0	26,4	18,4
12900	53,5	24,2	16,8
12900	60,9	21,2	14,8
12900	68,5	18,9	13,1
11600	75,5	15,5	11,9
11600	86,0	13,6	10,5

B3C 246

Mn ₂ [Nm]	i	Pn ₁ [kW]	n ₂ [rpm]
17900	15,8	114	57,1
19200	17,0	113	52,8
20800	20,6	101	43,6
22000	22,3	99,1	40,3
22600	25,2	90,2	35,8
22600	27,9	81,3	32,2
22600	32,1	70,7	28,1
22600	35,5	64,0	25,4
22600	38,5	59,0	23,4
22600	44,3	51,2	20,3
22600	50,3	45,1	17,9
22600	54,9	41,3	16,4
22600	62,5	36,3	14,4
22600	70,3	32,3	12,8
22400	77,5	29,0	11,6
21000	88,3	23,8	10,2

B3C 276

Mn ₂ [Nm]	i	Pn ₁ [kW]	n ₂ [rpm]
29600	15,7	189	57,4
31200	17,7	176	50,8
32700	19,9	164	45,1
34800	22,5	155	40,0
36400	25,4	144	35,4
36400	27,8	131	32,3
36400	32,4	113	27,8
36400	35,8	102	25,1
36400	38,8	94,1	23,2
36400	44,7	81,7	20,1
36400	51,3	71,2	17,6
36400	55,4	65,9	16,2
36400	63,1	57,9	14,3
36400	71,0	51,5	12,7
36400	78,2	46,7	11,5
35800	89,1	40,2	10,1

B3C 316

Mn ₂ [Nm]	i	Pn ₁ [kW]	n ₂ [rpm]
43600	12,3	354	73,0
47200	13,8	342	65,1
49800	15,5	322	58,0
51600	17,4	297	51,7
52800	19,7	268	45,6
52800	21,6	245	41,6
52800	25,2	210	35,7
52800	27,8	190	32,3
52800	32,0	166	28,1
52800	34,8	152	25,9
52800	39,9	133	22,6
52800	43,1	123	20,9
52800	49,1	108	18,3
52800	55,2	96,0	16,3
52800	60,8	87,1	14,8
49900	69,3	72,2	13,0

B3C 396

Mn ₂ [Nm]	i	Pn ₁ [kW]	n ₂ [rpm]
66100	12,5	531	72,1
67900	13,7	496	65,6
69700	16,4	427	55,0
72100	18,0	402	50,1
75500	20,3	373	44,4
75500	22,2	340	40,5
75500	25,9	293	34,8
75500	28,6	265	31,5
75500	32,8	230	27,4
75500	35,7	212	25,2
75500	40,9	185	22,0
75500	44,2	171	20,3
75500	50,4	150	17,9
75500	56,6	134	15,9
64200	62,4	103	14,4
75500	62,4	121	14,4
64200	70,1	91,8	12,8
75500	71,2	106	12,6
64200	77,3	83,3	11,6
62400	88,1	71,0	10,2

B3C 346

Mn ₂ [Nm]	i	Pn ₁ [kW]	n ₂ [rpm]
55200	15,9	348	56,6
57800	17,6	330	51,2
60500	20,0	303	45,0
62900	22,1	285	40,7
64200	25,1	257	35,9
64200	27,5	234	32,7
64200	32,0	201	28,1
64200	35,4	182	25,4
64200	40,7	158	22,1
64200	44,2	146	20,4
64200	50,7	127	17,8
64200	54,8	118	16,4

B3C 406

Mn ₂ [Nm]	i	Pn ₁ [kW]	n ₂ [rpm]
82700	15,6	533	57,9
84900	17,0	500	52,9
87400	20,4	430	44,2
89900	22,3	404	40,4
94000	25,1	375	35,8
94000	27,5	342	32,7
94000	32,1	294	28,1
94000	35,4	266	25,4
94000	40,7	232	22,1
94000	44,3	213	20,3
94000	50,7	186	17,7
94000	54,8	172	16,4
94000	62,4	151	14,4
94000	70,2	134	12,8
94000	77,4	122	11,6
94000	88,2	107	10,2

B4C 176

Mn ₂ [Nm]	i	Pn ₁ [kW]	n ₂ [rpm]
9650	77,6	12,7	11,6
9650	86,7	11,4	10,4
9650	100	9,85	8,96
9650	110	8,98	8,17
9650	119	8,28	7,53
9650	138	7,19	6,54
9650	156	6,33	5,76
9650	170	5,80	5,28
9650	194	5,09	4,64
9650	218	4,53	4,12
9650	241	4,11	3,74
9650	274	3,61	3,28
9320	302	3,16	2,98

B4C 216

Mn ₂ [Nm]	i	Pn ₁ [kW]	n ₂ [rpm]
18100	79,3	23,3	11,4
18100	88,6	20,9	10,2
18100	103	18,0	8,77
18100	112	16,4	8,00
18100	122	15,2	7,37
18100	141	13,2	6,40
18100	160	11,6	5,64
18100	174	10,6	5,17
18100	198	9,33	4,54
18100	223	8,30	4,04
18100	246	7,53	3,66
18100	280	6,60	3,21
17100	309	5,66	2,92

B4C 266

Mn ₂ [Nm]	i	Pn ₁ [kW]	n ₂ [rpm]
29700	79,5	38,3	11,3
29700	88,8	34,2	10,1
29700	103	29,6	8,75
29700	113	27,0	7,98
29700	122	24,9	7,35
29700	141	21,6	6,39
29700	160	19,0	5,62
29700	175	17,4	5,15
29700	199	15,3	4,53
29700	224	13,6	4,03
29700	246	12,3	3,65
29400	281	10,7	3,20
28300	310	9,36	2,91

B4C 196

Mn ₂ [Nm]	i	Pn ₁ [kW]	n ₂ [rpm]
12900	96,2	13,7	9,36
12900	107	12,3	8,37
12900	124	10,6	7,23
12900	136	9,68	6,59
12900	148	8,92	6,08
12900	171	7,75	5,28
12900	194	6,82	4,65
12900	211	6,25	4,26
12900	241	5,49	3,74
12900	270	4,88	3,33
12900	298	4,43	3,02
12900	340	3,89	2,65
12100	374	3,30	2,40

B4C 246

Mn ₂ [Nm]	i	Pn ₁ [kW]	n ₂ [rpm]
22600	99,9	23,2	9,00
22600	112	20,8	8,06
22600	129	17,9	6,96
22600	142	16,3	6,34
22600	154	15,1	5,85
22600	177	13,1	5,08
22600	201	11,5	4,47
22600	220	10,6	4,10
22600	250	9,27	3,60
22600	281	8,25	3,20
22600	310	7,48	2,90
22000	353	6,40	2,55
21200	389	5,59	2,31

B4C 276

Mn ₂ [Nm]	i	Pn ₁ [kW]	n ₂ [rpm]
36800	99,7	37,8	9,03
36800	111	33,8	8,08
36800	129	29,2	6,98
36800	141	26,6	6,36
36800	153	24,5	5,87
36800	177	21,3	5,09
36800	201	18,8	4,49
36800	219	17,2	4,11
36800	249	15,1	3,61
36800	280	13,4	3,21
36800	309	12,2	2,91
36800	352	10,7	2,56
35800	388	9,44	2,32

B4C 316

Mn ₂ [Nm]	i	Pn ₁ [kW]	n ₂ [rpm]
51300	80,9	64,9	11,1
51300	89,9	58,4	10,0
51300	103	50,8	8,72
51300	114	46,0	7,89
51300	124	42,4	7,27
51300	143	36,8	6,31
51300	162	32,4	5,56
51300	177	29,7	5,10
51300	201	26,1	4,47
51300	226	23,2	3,98
51300	249	21,1	3,61
51300	284	18,5	3,17
49900	313	16,3	2,87

B4C 396

Mn ₂ [Nm]	i	Pn ₁ [kW]	n ₂ [rpm]
75500	82,1	94,1	11,0
75500	90,0	85,9	10,00
75500	105	73,8	8,59
75500	116	66,8	7,77
75500	126	61,5	7,17
75500	145	53,5	6,22
75500	166	46,6	5,43
75500	179	43,1	5,02
75500	204	37,9	4,41
75500	230	33,6	3,91
75500	253	30,6	3,56
75500	288	26,8	3,12
75500	318	24,3	2,83

B4C 346

Mn ₂ [Nm]	i	Pn ₁ [kW]	n ₂ [rpm]
64900	103	64,6	8,74
64900	114	58,2	7,88
64900	131	50,6	6,86
64900	145	45,8	6,20
64900	157	42,2	5,72
64900	181	36,7	4,97
64900	206	32,3	4,37
64900	225	29,6	4,01
64900	256	26,0	3,52
64900	287	23,1	3,13
64900	317	21,0	2,84
64900	361	18,4	2,49
62400	398	16,1	2,26

B4C 406

Mn ₂ [Nm]	i	Pn ₁ [kW]	n ₂ [rpm]
94000	102	94,6	8,84
94000	112	86,3	8,07
94000	130	74,2	6,93
94000	143	67,1	6,27
94000	156	61,9	5,78
94000	179	53,7	5,02
94000	205	46,9	4,38
94000	222	43,4	4,05
94000	253	38,1	3,56
94000	284	33,9	3,17
94000	313	30,7	2,87
94000	357	27,0	2,52
94000	394	24,5	2,29

B2C 176

Mn ₂ [Nm]	i	Pn ₁ [kW]	n ₂ [rpm]
7900	5,01	120	140
7900	5,49	110	128
7900	6,39	94,4	110
7900	7,06	85,4	99,2
7900	7,66	78,7	91,4
7900	8,82	68,4	79,4
7900	10,1	59,6	69,3
7900	10,9	55,2	64,1

B2C 216

Mn ₂ [Nm]	i	Pn ₁ [kW]	n ₂ [rpm]
16000	4,87	250	144
16000	5,33	228	131
16000	6,21	196	113
16000	6,86	178	102
16000	7,88	155	88,8
16000	8,57	142	81,7
16000	9,82	124	71,3
16000	10,6	115	65,9

B2C 266

Mn ₂ [Nm]	i	Pn ₁ [kW]	n ₂ [rpm]
25100	5,00	383	140
25100	5,48	350	128
25100	6,38	301	110
25100	7,05	272	99,2
25100	8,10	237	86,4
25100	8,81	218	79,5
25100	10,1	190	69,3
25100	10,9	176	64,1

B2C 316

Mn ₂ [Nm]	i	Pn ₁ [kW]	n ₂ [rpm]
38600	4,90	602	143
40400	5,53	557	126
42200	6,30	511	111
44000	7,04	478	99,5
45400	7,99	433	87,6
45400	8,69	398	80,5
45400	9,97	348	70,2
45400	10,8	322	65,0

B2C 196

Mn ₂ [Nm]	i	Pn ₁ [kW]	n ₂ [rpm]
10100	6,21	124	113
10100	6,80	113	103
10100	7,92	97,2	88,4
10100	8,75	88,0	80,0
10100	9,49	81,1	73,8
10100	10,9	70,4	64,1
10100	12,5	61,4	55,9
10100	13,5	56,8	51,7

B2C 246

Mn ₂ [Nm]	i	Pn ₁ [kW]	n ₂ [rpm]
20000	6,14	249	114
20000	6,73	227	104
20000	7,83	195	89,5
20000	8,65	176	80,9
20000	9,94	154	70,5
20000	10,8	141	64,8
20000	12,4	123	56,5
20000	13,4	114	52,3

B2C 276

Mn ₂ [Nm]	i	Pn ₁ [kW]	n ₂ [rpm]
31900	6,27	389	112
31900	6,88	354	102
31900	8,00	305	87,5
31900	8,84	276	79,2
31900	10,2	240	68,9
31900	11,0	221	63,4
31900	12,7	192	55,3
31900	13,7	178	51,2

B2C 346

Mn ₂ [Nm]	i	Pn ₁ [kW]	n ₂ [rpm]
49400	6,23	606	112
51200	7,04	555	99,5
53000	8,01	506	87,4
54800	8,95	467	78,2
55700	10,2	418	68,9
55700	11,1	385	63,3
55700	12,7	336	55,2
55700	13,7	311	51,1

B2C 396

Mn ₂ [Nm]	i	Pn ₁ [kW]	n ₂ [rpm]
57600	4,97	886	141
58500	5,61	795	125
62000	6,39	741	110
63800	7,14	682	98,1
67200	8,11	633	86,3
68100	8,82	590	79,4
68100	10,1	515	69,3
68100	10,9	476	64,1

B2C 406

Mn ₂ [Nm]	i	Pn ₁ [kW]	n ₂ [rpm]
71600	6,16	888	114
73300	6,96	805	101
76900	7,92	741	88,4
79500	8,85	686	79,1
83000	10,0	631	69,7
84800	10,9	593	64,1
84800	12,5	517	55,9
84800	13,5	478	51,7

B3C 176

Mn ₂ [Nm]	i	Pn ₁ [kW]	n ₂ [rpm]
7900	12,7	48,5	55,1
8230	14,0	46,0	50,1
8820	15,8	43,4	44,2
9490	17,4	42,5	40,2
9740	19,6	38,7	35,6
9740	22,0	34,6	31,9
9740	25,4	29,9	27,5
9740	27,9	27,3	25,1
9740	30,2	25,1	23,1
9740	34,8	21,8	20,1
9740	39,6	19,2	17,7
9740	43,1	17,6	16,2
9740	49,1	15,5	14,2
9740	55,2	13,8	12,7
9580	60,9	12,3	11,5
9240	69,4	10,4	10,1

B3C 216

Mn ₂ [Nm]	i	Pn ₁ [kW]	n ₂ [rpm]
14300	12,4	89,6	56,3
15300	13,5	88,2	51,8
16600	16,3	79,7	43,0
17700	17,7	78,1	39,6
18200	19,9	71,3	35,1
18200	22,1	64,2	31,6
18200	25,4	55,9	27,5
18200	28,1	50,5	24,9
18200	30,5	46,6	22,9
18200	35,1	40,5	19,9
18200	39,9	35,6	17,5
18200	43,5	32,7	16,1
18200	49,6	28,7	14,1
18200	55,7	25,5	12,6
18000	61,4	22,8	11,4
16800	70,0	18,7	10,00

B3C 266

Mn ₂ [Nm]	i	Pn ₁ [kW]	n ₂ [rpm]
23500	12,6	146	55,8
24800	14,1	137	49,5
26000	16,0	127	43,9
28500	18,0	124	39,0
30000	20,3	115	34,6
30000	22,2	105	31,5
30000	25,8	90,5	27,1
30000	28,6	81,9	24,5
30000	31,0	75,5	22,6
30000	35,7	65,5	19,6
30000	40,9	57,2	17,1
30000	44,2	52,9	15,8
30000	50,3	46,5	13,9
30000	56,6	41,3	12,4
30000	62,4	37,5	11,2
28600	71,1	31,3	9,85

B3C 196

Mn ₂ [Nm]	i	Pn ₁ [kW]	n ₂ [rpm]
10100	15,8	49,7	44,2
10600	17,3	47,7	40,4
11100	19,7	43,8	35,5
11900	21,6	43,1	32,4
13000	24,3	41,7	28,7
13000	27,2	37,3	25,7
13000	31,5	32,2	22,2
13000	34,6	29,4	20,3
13000	37,5	27,1	18,7
13000	43,2	23,5	16,2
13000	49,0	20,7	14,3
13000	53,5	19,0	13,1
13000	60,9	16,7	11,5
13000	68,5	14,8	10,2
11800	75,5	12,1	9,27
11800	86,0	10,7	8,14

B3C 246

Mn ₂ [Nm]	i	Pn ₁ [kW]	n ₂ [rpm]
18100	15,8	89,3	44,4
19400	17,0	88,8	41,1
21000	20,6	79,3	33,9
22300	22,3	77,8	31,4
22800	25,2	70,8	27,8
22800	27,9	63,8	25,1
22800	32,1	55,5	21,8
22800	35,5	50,2	19,7
22800	38,5	46,3	18,2
22800	44,3	40,2	15,8
22800	50,3	35,4	13,9
22800	54,9	32,5	12,8
22800	62,5	28,5	11,2
22800	70,3	25,4	9,96
22600	77,5	22,7	9,04
21200	88,3	18,7	7,93

B3C 276

Mn ₂ [Nm]	i	Pn ₁ [kW]	n ₂ [rpm]
29900	15,7	149	44,6
31500	17,7	139	39,5
33000	19,9	129	35,1
35100	22,5	122	31,1
36800	25,4	113	27,6
36800	27,8	103	25,1
36800	32,4	88,5	21,6
36800	35,8	80,1	19,5
36800	38,8	73,9	18,0
36800	44,7	64,1	15,6
36800	51,3	55,9	13,7
36800	55,4	51,8	12,6
36800	63,1	45,5	11,1
36800	71,0	40,4	9,87
36800	78,2	36,7	8,95
36100	89,1	31,6	7,85

B3C 316

Mn ₂ [Nm]	i	Pn ₁ [kW]	n ₂ [rpm]
44000	12,3	278	56,8
47600	13,8	269	50,6
50300	15,5	253	45,1
52100	17,4	233	40,2
53300	19,7	211	35,5
53300	21,6	192	32,3
53300	25,2	165	27,8
53300	27,8	149	25,1
53300	32,0	130	21,9
53300	34,8	120	20,1
53300	39,9	104	17,6
53300	43,1	96,6	16,2
53300	49,1	84,8	14,3
53300	55,2	75,4	12,7
53300	60,8	68,4	11,5
50400	69,3	56,7	10,1

B3C 396

Mn ₂ [Nm]	i	Pn ₁ [kW]	n ₂ [rpm]
66800	12,5	417	56,1
68500	13,7	390	51,0
70400	16,4	336	42,8
72800	18,0	316	38,9
76200	20,3	293	34,5
76200	22,2	267	31,5
76200	25,9	230	27,1
76200	28,6	208	24,5
76200	32,8	181	21,3
76200	35,7	166	19,6
76200	40,9	145	17,1
76200	44,2	134	15,8
76200	50,4	118	13,9
76200	56,6	105	12,4
64800	62,4	81,1	11,2
76200	62,4	95,1	11,2
64800	70,1	72,1	9,98
76200	71,2	83,5	9,84
64800	77,3	65,4	9,05
63000	88,1	55,8	7,95

B3C 346

Mn ₂ [Nm]	i	Pn ₁ [kW]	n ₂ [rpm]
55700	15,9	273	44,1
58400	17,6	259	39,8
61100	20,0	238	35,0
63500	22,1	224	31,7
64800	25,1	201	27,9
64800	27,5	184	25,4
64800	32,0	158	21,9
64800	35,4	143	19,8
64800	40,7	124	17,2
64800	44,2	114	15,8
64800	50,7	99,8	13,8
64800	54,8	92,3	12,8

B3C 406

Mn ₂ [Nm]	i	Pn ₁ [kW]	n ₂ [rpm]
83500	15,6	419	45,0
85700	17,0	393	41,2
88200	20,4	338	34,4
90700	22,3	317	31,4
94900	25,1	295	27,9
94900	27,5	269	25,4
94900	32,1	231	21,8
94900	35,4	209	19,8
94900	40,7	182	17,2
94900	44,3	167	15,8
94900	50,7	146	13,8
94900	54,8	135	12,8
94900	62,4	119	11,2
94900	70,2	105	9,97
94900	77,4	95,6	9,04
94900	88,2	83,9	7,94

B4C 176

Mn ₂ [Nm]	i	Pn ₁ [kW]	n ₂ [rpm]
9740	77,6	10,0	9,02
9740	86,7	8,95	8,07
9740	100	7,73	6,97
9740	110	7,05	6,36
9740	119	6,50	5,86
9740	138	5,64	5,09
9740	156	4,97	4,48
9740	170	4,56	4,11
9740	194	4,00	3,61
9740	218	3,56	3,21
9740	241	3,23	2,91
9740	274	2,83	2,55
9410	302	2,48	2,32

B4C 216

Mn ₂ [Nm]	i	Pn ₁ [kW]	n ₂ [rpm]
18200	79,3	18,3	8,83
18200	88,6	16,4	7,90
18200	103	14,2	6,82
18200	112	12,9	6,22
18200	122	11,9	5,74
18200	141	10,3	4,98
18200	160	9,10	4,39
18200	174	8,34	4,02
18200	198	7,32	3,53
18200	223	6,52	3,14
18200	246	5,91	2,85
18200	280	5,19	2,50
17200	309	4,45	2,27

B4C 266

Mn ₂ [Nm]	i	Pn ₁ [kW]	n ₂ [rpm]
30000	79,5	30,1	8,81
30000	88,8	26,9	7,88
30000	103	23,2	6,80
30000	113	21,2	6,20
30000	122	19,5	5,72
30000	141	17,0	4,97
30000	160	14,9	4,37
30000	175	13,7	4,01
30000	199	12,0	3,52
30000	224	10,7	3,13
30000	246	9,69	2,84
29700	281	8,41	2,49
28600	310	7,35	2,26

B4C 196

Mn ₂ [Nm]	i	Pn ₁ [kW]	n ₂ [rpm]
13000	96,2	10,8	7,28
13000	107	9,65	6,51
13000	124	8,33	5,62
13000	136	7,60	5,13
13000	148	7,01	4,73
13000	171	6,08	4,11
13000	194	5,36	3,62
13000	211	4,91	3,31
13000	241	4,31	2,91
13000	270	3,84	2,59
13000	298	3,48	2,35
13000	340	3,05	2,06
12200	374	2,59	1,87

B4C 246

Mn ₂ [Nm]	i	Pn ₁ [kW]	n ₂ [rpm]
22800	99,9	18,2	7,00
22800	112	16,3	6,27
22800	129	14,1	5,41
22800	142	12,8	4,93
22800	154	11,8	4,55
22800	177	10,3	3,95
22800	201	9,05	3,48
22800	220	8,29	3,19
22800	250	7,28	2,80
22800	281	6,48	2,49
22800	310	5,87	2,26
22300	353	5,02	1,98
21400	389	4,39	1,80

B4C 276

Mn ₂ [Nm]	i	Pn ₁ [kW]	n ₂ [rpm]
37100	99,7	29,7	7,02
37100	111	26,6	6,28
37100	129	22,9	5,43
37100	141	20,9	4,95
37100	153	19,3	4,56
37100	177	16,7	3,96
37100	201	14,7	3,49
37100	219	13,5	3,20
37100	249	11,9	2,81
37100	280	10,6	2,50
37100	309	9,57	2,27
37100	352	8,40	1,99
36100	388	7,42	1,80

B4C 316

Mn ₂ [Nm]	i	Pn ₁ [kW]	n ₂ [rpm]
51700	80,9	50,9	8,65
51700	89,9	45,9	7,79
51700	103	39,9	6,78
51700	114	36,1	6,13
51700	124	33,3	5,65
51700	143	28,9	4,91
51700	162	25,5	4,32
51700	177	23,3	3,96
51700	201	20,5	3,48
51700	226	18,2	3,10
51700	249	16,5	2,81
51700	284	14,5	2,46
50400	313	12,8	2,24

B4C 396

Mn ₂ [Nm]	i	Pn ₁ [kW]	n ₂ [rpm]
76200	82,1	73,9	8,52
76200	90,0	67,4	7,78
76200	105	57,9	6,68
76200	116	52,4	6,05
76200	126	48,3	5,57
76200	145	42,0	4,84
76200	166	36,6	4,22
76200	179	33,9	3,91
76200	204	29,7	3,43
76200	230	26,4	3,04
76200	253	24,0	2,77
76200	288	21,1	2,43
76200	318	19,1	2,20

B4C 346

Mn ₂ [Nm]	i	Pn ₁ [kW]	n ₂ [rpm]
65500	103	50,7	6,80
65500	114	45,7	6,13
65500	131	39,8	5,33
65500	145	36,0	4,82
65500	157	33,2	4,45
65500	181	28,8	3,86
65500	206	25,4	3,40
65500	225	23,2	3,12
65500	256	20,4	2,74
65500	287	18,2	2,43
65500	317	16,5	2,21
65500	361	14,5	1,94
63000	398	12,6	1,76

B4C 406

Mn ₂ [Nm]	i	Pn ₁ [kW]	n ₂ [rpm]
94900	102	74,3	6,88
94900	112	67,8	6,27
94900	130	58,2	5,39
94900	143	52,7	4,88
94900	156	48,6	4,50
94900	179	42,2	3,91
94900	205	36,8	3,41
94900	222	34,1	3,15
94900	253	29,9	2,77
94900	284	26,6	2,46
94900	313	24,1	2,23
94900	357	21,2	1,96
94900	394	19,2	1,78

B2C 176

Mn ₂ [Nm]	i	Pn ₁ [kW]	n ₂ [rpm]
8010	5,01	87,3	99,9
8010	5,49	79,6	91,1
8010	6,39	68,4	78,3
8010	7,06	61,9	70,8
8010	7,66	57,0	65,3
8010	8,82	49,5	56,7
8010	10,1	43,2	49,5
8010	10,9	40,0	45,8

B2C 216

Mn ₂ [Nm]	i	Pn ₁ [kW]	n ₂ [rpm]
16200	4,87	181	103
16200	5,33	166	93,8
16200	6,21	142	80,6
16200	6,86	129	72,9
16200	7,88	112	63,5
16200	8,57	103	58,3
16200	9,82	89,9	50,9
16200	10,6	83,2	47,1

B2C 266

Mn ₂ [Nm]	i	Pn ₁ [kW]	n ₂ [rpm]
25500	5,00	278	100,0
25500	5,48	253	91,2
25500	6,38	218	78,4
25500	7,05	197	70,9
25500	8,10	172	61,7
25500	8,81	158	56,8
25500	10,1	138	49,5
25500	10,9	127	45,8

B2C 316

Mn ₂ [Nm]	i	Pn ₁ [kW]	n ₂ [rpm]
39200	4,90	436	102
41000	5,53	404	90,4
42800	6,30	370	79,4
44600	7,04	346	71,1
46000	7,99	314	62,5
46000	8,69	289	57,5
46000	9,97	252	50,2
46000	10,8	233	46,4

B2C 196

Mn ₂ [Nm]	i	Pn ₁ [kW]	n ₂ [rpm]
10200	6,21	89,9	80,6
10200	6,80	82,0	73,5
10200	7,92	70,4	63,2
10200	8,75	63,7	57,1
10200	9,49	58,8	52,7
10200	10,9	51,0	45,8
10200	12,5	44,5	39,9
10200	13,5	41,2	36,9

B2C 246

Mn ₂ [Nm]	i	Pn ₁ [kW]	n ₂ [rpm]
20300	6,14	180	81,5
20300	6,73	164	74,3
20300	7,83	141	63,9
20300	8,65	128	57,8
20300	9,94	111	50,3
20300	10,8	102	46,3
20300	12,4	89,3	40,4
20300	13,4	82,6	37,4

B2C 276

Mn ₂ [Nm]	i	Pn ₁ [kW]	n ₂ [rpm]
32400	6,27	282	79,7
32400	6,88	257	72,7
32400	8,00	221	62,5
32400	8,84	200	56,5
32400	10,2	174	49,2
32400	11,0	160	45,3
32400	12,7	139	39,5
32400	13,7	129	36,5

B2C 346

Mn ₂ [Nm]	i	Pn ₁ [kW]	n ₂ [rpm]
50100	6,23	439	80,3
51900	7,04	402	71,1
53800	8,01	366	62,5
55600	8,95	339	55,9
56500	10,2	303	49,2
56500	11,1	279	45,2
56500	12,7	243	39,5
56500	13,7	225	36,5

B2C 396

Mn ₂ [Nm]	i	Pn ₁ [kW]	n ₂ [rpm]
58400	4,97	642	101
59300	5,61	576	89,1
62900	6,39	537	78,3
64700	7,14	494	70,0
68200	8,11	458	61,7
69100	8,82	427	56,7
69100	10,1	373	49,5
69100	10,9	345	45,8

B2C 406

Mn ₂ [Nm]	i	Pn ₁ [kW]	n ₂ [rpm]
72600	6,16	643	81,2
74400	6,96	583	71,9
78000	7,92	537	63,2
80600	8,85	497	56,5
84200	10,0	457	49,8
86100	10,9	429	45,8
86100	12,5	375	39,9
86100	13,5	347	36,9

B3C 176

Mn ₂ [Nm]	i	Pn ₁ [kW]	n ₂ [rpm]
8010	12,7	35,1	39,4
8350	14,0	33,3	35,8
8950	15,8	31,5	31,6
9630	17,4	30,8	28,7
9880	19,6	28,0	25,5
9880	22,0	25,1	22,8
9880	25,4	21,7	19,7
9880	27,9	19,7	17,9
9880	30,2	18,2	16,5
9880	34,8	15,8	14,4
9880	39,6	13,9	12,6
9880	43,1	12,8	11,6
9880	49,1	11,2	10,2
9880	55,2	9,97	9,05
9710	60,9	8,88	8,21
9370	69,4	7,52	7,20

B3C 216

Mn ₂ [Nm]	i	Pn ₁ [kW]	n ₂ [rpm]
14500	12,4	64,9	40,2
15500	13,5	63,9	37,0
16900	16,3	57,7	30,7
18000	17,7	56,6	28,3
18500	19,9	51,6	25,1
18500	22,1	46,5	22,6
18500	25,4	40,5	19,6
18500	28,1	36,6	17,8
18500	30,5	33,8	16,4
18500	35,1	29,3	14,2
18500	39,9	25,8	12,5
18500	43,5	23,7	11,5
18500	49,6	20,8	10,1
18500	55,7	18,5	8,97
18200	61,4	16,5	8,14
17000	70,0	13,6	7,14

B3C 266

Mn ₂ [Nm]	i	Pn ₁ [kW]	n ₂ [rpm]
23900	12,6	106	39,8
25100	14,1	99,0	35,4
26400	16,0	92,2	31,3
28900	18,0	89,6	27,8
30400	20,3	83,6	24,7
30400	22,2	76,3	22,5
30400	25,8	65,6	19,3
30400	28,6	59,3	17,5
30400	31,0	54,7	16,1
30400	35,7	47,5	14,0
30400	40,9	41,4	12,2
30400	44,2	38,3	11,3
30400	50,3	33,7	9,93
30400	56,6	29,9	8,84
30400	62,4	27,2	8,01
29000	71,1	22,7	7,03

B3C 196

Mn ₂ [Nm]	i	Pn ₁ [kW]	n ₂ [rpm]
10200	15,8	36,0	31,6
10700	17,3	34,5	28,9
11200	19,7	31,8	25,3
12100	21,6	31,2	23,2
13200	24,3	30,2	20,5
13200	27,2	27,0	18,4
13200	31,5	23,3	15,9
13200	34,6	21,3	14,5
13200	37,5	19,6	13,3
13200	43,2	17,0	11,6
13200	49,0	15,0	10,2
13200	53,5	13,8	9,35
13200	60,9	12,1	8,21
13200	68,5	10,7	7,30
11900	75,5	8,80	6,62
11900	86,0	7,72	5,81

B3C 246

Mn ₂ [Nm]	i	Pn ₁ [kW]	n ₂ [rpm]
18300	15,8	64,7	31,7
19700	17,0	64,3	29,3
21300	20,6	57,5	24,2
22600	22,3	56,4	22,4
23200	25,2	51,3	19,9
23200	27,9	46,2	17,9
23200	32,1	40,2	15,6
23200	35,5	36,4	14,1
23200	38,5	33,6	13,0
23200	44,3	29,1	11,3
23200	50,3	25,7	9,94
23200	54,9	23,5	9,11
23200	62,5	20,7	8,00
23200	70,3	18,4	7,12
22900	77,5	16,5	6,45
21500	88,3	13,5	5,66

B3C 276

Mn ₂ [Nm]	i	Pn ₁ [kW]	n ₂ [rpm]
30300	15,7	108	31,9
32000	17,7	100	28,2
33500	19,9	93,5	25,1
35600	22,5	88,1	22,2
37300	25,4	81,8	19,7
37300	27,8	74,7	18,0
37300	32,4	64,2	15,4
37300	35,8	58,0	14,0
37300	38,8	53,5	12,9
37300	44,7	46,5	11,2
37300	51,3	40,5	9,75
37300	55,4	37,5	9,02
37300	63,1	32,9	7,92
37300	71,0	29,3	7,05
37300	78,2	26,6	6,39
36600	89,1	22,9	5,61

B3C 316

Mn ₂ [Nm]	i	Pn ₁ [kW]	n ₂ [rpm]
44600	12,3	202	40,5
48300	13,8	195	36,2
51000	15,5	183	32,2
52800	17,4	169	28,7
54100	19,7	153	25,3
54100	21,6	139	23,1
54100	25,2	120	19,9
54100	27,8	108	18,0
54100	32,0	94,2	15,6
54100	34,8	86,7	14,4
54100	39,9	75,6	12,5
54100	43,1	70,0	11,6
54100	49,1	61,4	10,2
54100	55,2	54,6	9,07
54100	60,8	49,6	8,22
51100	69,3	41,1	7,22

B3C 396

Mn ₂ [Nm]	i	Pn ₁ [kW]	n ₂ [rpm]
67700	12,5	302	40,1
69500	13,7	282	36,4
71400	16,4	243	30,6
73900	18,0	229	27,8
77300	20,3	212	24,7
77300	22,2	194	22,5
77300	25,9	166	19,3
77300	28,6	151	17,5
77300	32,8	131	15,2
77300	35,7	121	14,0
77300	40,9	105	12,2
77300	44,2	97,3	11,3
77300	50,4	85,4	9,92
77300	56,6	76,0	8,83
65800	62,4	58,7	8,02
77300	62,4	68,9	8,01
65800	70,1	52,2	7,13
77300	71,2	60,5	7,03
65800	77,3	47,4	6,47
63900	88,1	40,4	5,68

B3C 346

Mn ₂ [Nm]	i	Pn ₁ [kW]	n ₂ [rpm]
56500	15,9	198	31,5
59200	17,6	188	28,5
61900	20,0	173	25,0
64400	22,1	162	22,6
65800	25,1	146	19,9
65800	27,5	133	18,2
65800	32,0	114	15,6
65800	35,4	104	14,1
65800	40,7	90,1	12,3
65800	44,2	82,9	11,3
65800	50,7	72,3	9,87
65800	54,8	66,9	9,13

B3C 406

Mn ₂ [Nm]	i	Pn ₁ [kW]	n ₂ [rpm]
84700	15,6	303	32,2
86900	17,0	285	29,4
89500	20,4	245	24,5
92000	22,3	230	22,4
96300	25,1	213	19,9
96300	27,5	195	18,2
96300	32,1	167	15,6
96300	35,4	151	14,1
96300	40,7	132	12,3
96300	44,3	121	11,3
96300	50,7	106	9,85
96300	54,8	97,8	9,12
96300	62,4	85,9	8,01
96300	70,2	76,4	7,12
96300	77,4	69,3	6,46
96300	88,2	60,8	5,67

B4C 176

Mn ₂ [Nm]	i	Pn ₁ [kW]	n ₂ [rpm]
9880	77,6	7,25	6,44
9880	86,7	6,49	5,77
9880	100	5,60	4,98
9880	110	5,11	4,54
9880	119	4,71	4,19
9880	138	4,09	3,63
9880	156	3,60	3,20
9880	170	3,30	2,93
9880	194	2,90	2,58
9880	218	2,58	2,29
9880	241	2,34	2,08
9880	274	2,05	1,82
9540	302	1,80	1,65

B4C 216

Mn ₂ [Nm]	i	Pn ₁ [kW]	n ₂ [rpm]
18500	79,3	13,3	6,31
18500	88,6	11,9	5,64
18500	103	10,3	4,87
18500	112	9,35	4,44
18500	122	8,62	4,10
18500	141	7,49	3,56
18500	160	6,59	3,13
18500	174	6,04	2,87
18500	198	5,31	2,52
18500	223	4,72	2,24
18500	246	4,28	2,03
18500	280	3,76	1,79
17500	309	3,22	1,62

B4C 266

Mn ₂ [Nm]	i	Pn ₁ [kW]	n ₂ [rpm]
30400	79,5	21,8	6,29
30400	88,8	19,5	5,63
30400	103	16,8	4,86
30400	113	15,3	4,43
30400	122	14,1	4,09
30400	141	12,3	3,55
30400	160	10,8	3,12
30400	175	9,91	2,86
30400	199	8,70	2,51
30400	224	7,74	2,24
30400	246	7,02	2,03
30100	281	6,09	1,78
29000	310	5,33	1,62

B4C 196

Mn ₂ [Nm]	i	Pn ₁ [kW]	n ₂ [rpm]
13200	96,2	7,81	5,20
13200	107	6,99	4,65
13200	124	6,04	4,02
13200	136	5,51	3,66
13200	148	5,08	3,38
13200	171	4,41	2,93
13200	194	3,88	2,58
13200	211	3,56	2,37
13200	241	3,12	2,08
13200	270	2,78	1,85
13200	298	2,52	1,68
13200	340	2,21	1,47
12400	374	1,88	1,34

B4C 246

Mn ₂ [Nm]	i	Pn ₁ [kW]	n ₂ [rpm]
23200	99,9	13,2	5,00
23200	112	11,8	4,48
23200	129	10,2	3,87
23200	142	9,30	3,52
23200	154	8,57	3,25
23200	177	7,44	2,82
23200	201	6,55	2,48
23200	220	6,01	2,28
23200	250	5,28	2,00
23200	281	4,69	1,78
23200	310	4,26	1,61
22600	353	3,64	1,42
21700	389	3,18	1,28

B4C 276

Mn ₂ [Nm]	i	Pn ₁ [kW]	n ₂ [rpm]
37700	99,7	21,5	5,02
37700	111	19,2	4,49
37700	129	16,6	3,88
37700	141	15,2	3,53
37700	153	14,0	3,26
37700	177	12,1	2,83
37700	201	10,7	2,49
37700	219	9,79	2,28
37700	249	8,60	2,01
37700	280	7,65	1,78
37700	309	6,94	1,62
37700	352	6,09	1,42
36600	388	5,37	1,29

B4C 316

Mn ₂ [Nm]	i	Pn ₁ [kW]	n ₂ [rpm]
52500	80,9	36,9	6,18
52500	89,9	33,2	5,56
52500	103	28,9	4,84
52500	114	26,2	4,38
52500	124	24,1	4,04
52500	143	21,0	3,51
52500	162	18,4	3,09
52500	177	16,9	2,83
52500	201	14,8	2,49
52500	226	13,2	2,21
52500	249	12,0	2,01
52500	284	10,5	1,76
51100	313	9,29	1,60

B4C 396

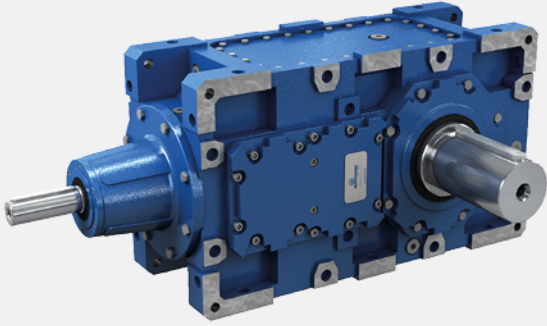
Mn ₂ [Nm]	i	Pn ₁ [kW]	n ₂ [rpm]
77300	82,1	53,6	6,09
77300	90,0	48,9	5,55
77300	105	42,0	4,77
77300	116	38,0	4,32
77300	126	35,0	3,98
77300	145	30,4	3,46
77300	166	26,5	3,02
77300	179	24,5	2,79
77300	204	21,6	2,45
77300	230	19,1	2,17
77300	253	17,4	1,98
77300	288	15,3	1,73
77300	318	13,8	1,57

B4C 346

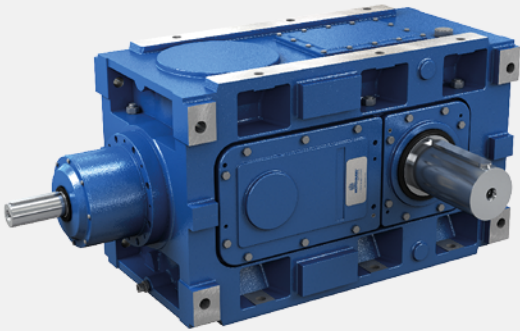
Mn ₂ [Nm]	i	Pn ₁ [kW]	n ₂ [rpm]
66500	103	36,7	4,86
66500	114	33,1	4,38
66500	131	28,8	3,81
66500	145	26,1	3,45
66500	157	24,0	3,18
66500	181	20,9	2,76
66500	206	18,4	2,43
66500	225	16,8	2,23
66500	256	14,8	1,96
66500	287	13,2	1,74
66500	317	11,9	1,58
66500	361	10,5	1,38
63900	398	9,14	1,26

B4C 406

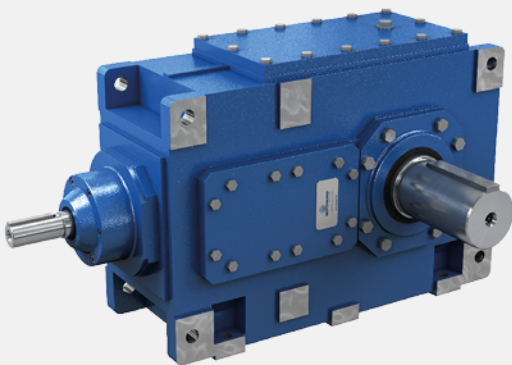
Mn ₂ [Nm]	i	Pn ₁ [kW]	n ₂ [rpm]
96300	102	53,8	4,91
96300	112	49,1	4,48
96300	130	42,2	3,85
96300	143	38,2	3,48
96300	156	35,2	3,21
96300	179	30,6	2,79
96300	205	26,7	2,43
96300	222	24,7	2,25
96300	253	21,7	1,98
96300	284	19,3	1,76
96300	313	17,5	1,60
96300	357	15,3	1,40
96300	394	13,9	1,27



PBZ



PBH



PBC

Pay special attention to the installation conditions as these are the principal cause of damage and downtime. When choosing the motor, consider the mounting position and presence, below the motor itself, of parts, things or materials which may be damaged by oil leaks, however limited in amount. The unit can only be mounted in the mounting position indicated on the nameplate: a different mounting position must be authorized by MOTOVARIO. Unless expressly requested, gear reducers are supplied dry, and it is the customer's responsibility to top up with oil up to the correct level. This should be done with the unit in the selected mounting position (using a filter with 25 µm grain) paying attention not to damage the seal when refitting it (or when smearing it with fresh sealing compound). If necessary, top up with oil of the same type up to correct level (see table LUBRICANTS RECOMMENDED BY MOTOVARIO). In case of unavailability, please contact MOTOVARIO TECHNICAL SERVICE. For possible use of different oil (after checking with the MOTOVARIO TECHNICAL SERVICE), replace completely and, in case of synthetic oil, only after washing the inside of the gear reducer. If you are using pressure-fed lubrication, fill the oil circuit and check oil level after gear reducer has been running for a short period. If there is an oil leak, find the cause before restoring the lubricant level. Do not dump the lubricant in the environment, adopt all the necessary environmental safety measures, dispose of the lubricant in compliance with the current regulations.

Before the commissioning of the unit, carry out the following operations:

- Check the nameplate data of the unit and/or electric motor;
- Make sure the equipment supplied corresponds to the equipment ordered;
- Fixing to the structure of the machine must be stable, vibration-free. The structure shall not be subject to torsional movements, must ensure a continuity of transmission of any electrical and electrostatic discharges. Otherwise provide a grounding system, via a cable securely attached to the mounting areas, making sure to remove any paint in the contact area and using conductors of adequate cross section;
- For fixing use the fixing screws of minimum 8.8 quality and be careful not to buckle the casings due to improper fixing, making sure that the support surface is coplanar to the fixing surface;
- Do not install the unit in mounting positions other than those stated in the order, since different positions provide different positions of the loading, unloading and oil level plugs, in addition to a different amount of lubricant;
- Check the position of the level plug. If the casing is provided with a hole with closed plug symmetric with respect to the level plug itself, if necessary, for level visibility, reverse their positions. Check the accessibility to oil loading/unloading plugs.
- Check the correct quantity of oil, according to the mounting position required. If the oil level of the unit is restored, do it according to the plug diagram and use oil of the same type indicated on the label.
- Replace, if any, the closing plug with the vent plug provided in the supplied kit, in the suitable mounting position indicated in the relevant drawings.
- Check for any leakage of lubricant;
- Eliminate, if possible, any traces of dirt from the shafts and from the areas around the sealing rings;
- Lubricate the contact surfaces to prevent oxidation or seizure;
- Check the static seals and the bolted joints;
- Do not install the unit in an environment with fumes or abrasive and/or corrosive dust;
- Install all the protections designed for the rotary organs so as to ensure the system safety according to the current rules;
- Check the correct rotation direction of the output shaft of the unit;
- In case of shaft mounting configuration it is recommended to use the torque arms that can be supplied by MOTOVARIO, specially designed;
- Ensure proper cooling of the motor through a good flow of air from the fan side;
- Avoid solar radiation or other heat sources, the cooling air temperature must never exceed 40 °C;
- Check that the assembly of the various parts (pulleys, sprockets, couplings, etc.) on shafts is performed by using the proper threaded holes or any other systems able to ensure a correct operation without risking damage to the bearings or the outer parts of the units.

For the operating fields with temperatures below 0 °C, please consider the following:

- Be sure to avoid shock loading as cast-iron may become brittle at temperatures below -15 °C.
- Right after start-up, the oil will be thick and this may lead to lubrication issues; dry-run the unit for several minutes.

If the temperature is lower than -30 °C or higher than 60 °C use special mixture seal rings.

Change the oil as specified in table OIL CHANGE INTERVAL; first bring gear reducer to a surface temperature lower than 40 °C (this will make it easier to drain oil, when you take all necessary precautions to avoid scalding).

- Locate the loading and unloading caps (the loading cap can match the vent cap or the dipstick); place a container of suitable capacity under the gear reducer at the unloading cap;
- Unscrew the loading and unloading caps paying attention to progressively reduce any internal overpressure;
- Completely drain the oil and collect it in the underlying container;
- Replace the seal of the unloading cap and tighten it again by applying the appropriate tightening torque (see table "OIL CAPS TIGHTENING TORQUE");
- Fill the gear reducer with new oil until the level reaches the centre line of the indicator cap or the top notch on the dipstick;
- Replace the seal of the loading cap and tighten it again by applying the appropriate tightening torque (see table "OIL CAPS TIGHTENING TORQUE");

- After about 30 minutes check the correctness of the level (if necessary, provide to its restoration) and any oil leaks. Clean the surface of the gear reducer with materials that do not generate electrostatic discharges;
- Dispose of used oil in accordance with current regulations.

Table OIL CHANGE INTERVAL

Oil type	Oil temperature [°C]		
	< 65°	80°	95°
Mineral oil	8000 h	4000 h	2000 h
Synthetic oil	25000 h	18000 h	12500 h

Table of OIL PLUGS TIGHTENING TORQUE with aluminum gasket and hexagonal wrench

Plug	Torque [Nm]
GAS 3/8"	30
GAS 1/2"	60
GAS 3/4"	70
GAS 1"	70

Table of OIL PLUGS TIGHTENING TORQUE with aluminum gasket and allen key

Plug	Torque [Nm]
GAS 3/8"	20
GAS 1/2"	30
GAS 3/4"	40
GAS 1"	50

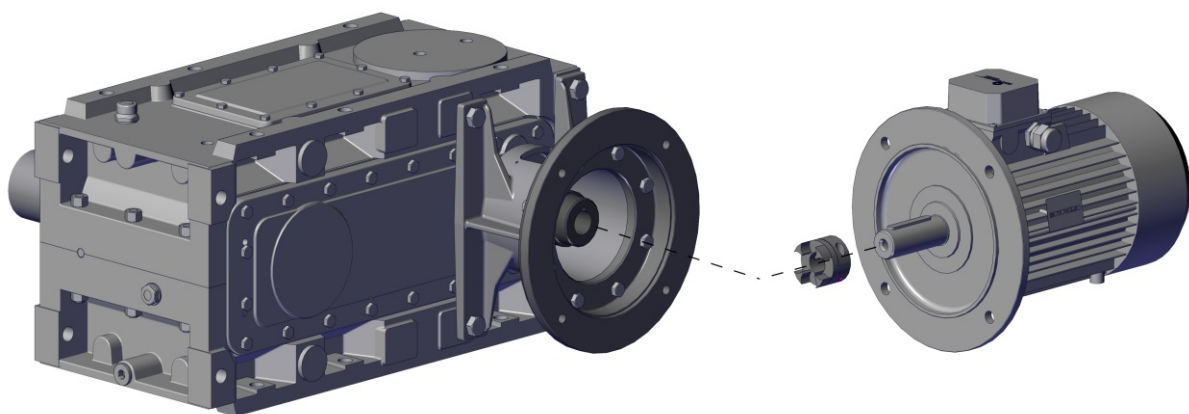
Plug	PZ - BZ
GAS 3/8"	179 - 199
GAS 3/4"	219 - 249 - 269 - 279
GAS 1" - GAS 3/4"	319 - 349 - 399 - 409

Plug	PH - BH
GAS 1/2"	180 - 200
GAS 3/4"	225 - 250 - 280
GAS 1"	355

Plug	PC - BC
M24	176 - 406

Assembling motor on PAM flange

If the unit is supplied without motor, it is necessary to follow these recommendation to ensure the correct assembly of the electric motor. Check that the tolerances for the motor shaft and flange correspond to the "standard". Carefully clean the shaft, spigot and surfaces of the flange removing traces of paint and dirt, and confirm the key is fitted correctly. Fit the hal coupling to the motor shaft (see picture) taking care to ensure the motor shaft and bearings are not damaged by avoiding excessive force and where necessary using assembly equipment. Place the couplings elastic element onto the motor half coupling and position the motor up to the gear reducer ensuring the coupling element is aligned with the driven half coupling. Complete the assembly using the fixing bolts. Key-ways with tightened tolerances.



22.1.1 Symbols

Physical dimension	Symbol	Symbol units of measure	Input	Output
Power	P	[kW]	P ₁	P ₂
Requested power	Pr	[kW]	Pr ₁	Pr ₂
Nominal power	Pn	[kW]	Pn ₁	Pn ₂
Nominal thermal power	Pth	[kW]		
Torque	M	[Nm]	M ₁	M ₂
Nominal torque	Mn	[Nm]		Mn ₂
Peak torque	M _{max}	[Nm]		M _{2max}
Requested torque	Mr	[Nm]	Mr ₁	Mr ₂
Speed	n	[rpm]	n ₁	n ₂
Load	F	[N]		
Radial load	Fr	[N]	Fr ₁	Fr ₂
Axial load	Fa	[N]	Fa ₁	Fa ₂
Reduction ratio	i			
Nominal Reduction ratio	i _n			
Efficiency	η			
Service factor	f _s			
Correction service factor to account for type of load and daily operating hours	f _{sa}			
Correction service factor to account for number of starts per hours	f _{sb}			
Correction service factor to account for type of motor	f _{sc}			
Correction thermal factor to account for ambient temperature and run-to-rest ratio	f _{ta}			
Correction thermal factor to account for cooling systems	f _{tb}			
Correction factor to account for ambient and operating temperature	f _{tc}			
Correction factor to account for airflow speed around gear reducer	f _{tv}			
Correction factor to account for input speed n1	f _{tn}			
Correction thermal factor to account for cooling coil	f _{ts}			
Additional thermal capacity Water/Oil and Air/Oil	Pta	[kW]		
Correction factor to account for mounting position	Fmp			
Static	s			
Dynamic	d			
Calculated	c			
Maximum	max			
Minimum	min			
Moment of inertia	J	[kgm ²]	J ₁	J ₂
Ambient temperature	T _{amb}	[°C]		
Surface temperature of gear reducer	T _s	[°C]		
Oil temperature	T _o	[°C]		
Dimension		[mm]		

22.1.2 Formulas

GEAR REDUCER		
Starting or stopping time	$t = v / a$	[s]
Velocity in rotary motion	$v = \pi * d * n / 60$ $v = \omega * r$	[m/s]
Speed velocity Angular velocity	$n = 60 * v / (\pi * d)$ $\omega = v / r$	[rpm] [rad/s]
Acceleration or deceleration	$a = v / t$	[m/s ²]
Angular acceleration	$\alpha = n / (9,55 * t)$ $\alpha = \omega / t$	[rad/s ²]
Starting or stopping distance (according to acceleration)	$s = a * t^2 / 2$	[m]
Horizontal translation force	$F = \mu * m * g$	[N]
Vertical translation force (lifting)	$F = m * g$	
Inclined plane translation force	$F = m * g (\mu * \cos\beta + \sin\beta)$	
m= mass [kg]; g= gravitational acceleration [m/s ²]; μ = friction coefficient; β = angle of inclination		
Moment of inertia	$J = m * v^2 / \omega^2$	[kgm ²]
Torque	$M = F * d / 2$ $M = J * \omega / t$	[Nm]

MOTOR and GEARMOTOR		
Starting time	$t_a = (J_{ext} + J_m) * n_n / 9,55 + (M_{peak} - M_r)$	[s]
Braking time	$t_s = (J_{ext} + J_m) * n_n / 9,55 + (M_{peak} + M_r)$	[s]
Motor rotation angle during starting	$\varphi = n_n * t_a / 19,1$	[rad]
Motor rotation angle during braking	$\varphi = n_n * t_s / 19,1$	[rad]
Power available at the shaft of single phase motor	$P = V * I * \eta * \cos\omega$	[W]
Power available at the shaft of three phase motor	$P = 1,73 * V * I * \eta * \cos\omega$	[W]

RUNNING at 60Hz		
Speed velocity at 60Hz	$n_{60Hz} = 1,2 * n_{50Hz}$	[rpm]
Power at 60Hz	$P_{1\ 60Hz} = P_{1\ 50Hz} * V_{60Hz} / V_{50Hz}$	[kW]
If input voltage at 60 Hz (V_{60Hz}) corresponds to winding voltage at 50 Hz (V_{50Hz}), power doesn't change i.e. $P_{1\ 60Hz} = P_{1\ 50Hz}$		
If input voltage at 60 Hz (V_{60Hz}) is 20% higher than winding voltage at 50 Hz (V_{50Hz}), power increases by 20% i.e. $P_{1\ 60Hz} = 1,2 P_{1\ 50Hz}$		
Torque at 60Hz	$M_{60Hz} = M_{50Hz} * P_{1\ 60Hz} / (1,2 * P_{1\ 50Hz})$	[Nm]
Service factor at 60Hz	$f.s_{60Hz} = f.s_{50Hz} * 1,175 * P_{1\ 50Hz} / P_{1\ 60Hz}$	-

All supplies effected by MOTOVARIO are governed exclusively by the general terms of sale that you can find on our website:

<http://www.motovario.com/eng/corporate/sales-conditions>

