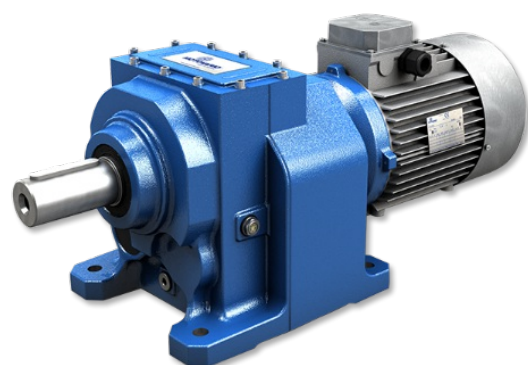


TECHNICAL CATALOGUE



HELICAL GEARED MOTORS

STANDARD **IEC**

1. GENERAL INFORMATION

1.1	SYMBOLS AND FORMULAS	4
1.1.1	Symbols	4
1.1.2	Formulas	5
1.2	PRODUCT SELECTION	6
1.3	SERVICE FACTOR	7
1.4	INSTALLATION	8

2. PRODUCT INFORMATION

2.1	DESIGN FEATURES	9
2.2	TYOLOGY	10
2.2.1	Designation	10
2.2.2	Versions	11
2.2.3	Modularity	13
2.3	MOUNTING POSITIONS	15
2.3.1	Mounting positions	15
2.3.2	Position of terminal box	16
2.4	THERMAL POWER	17
2.4.1	Information	17
2.4.2	Verification	17
2.5	CRITICAL APPLICATIONS	18
2.5.1	Critical applications	18
2.5.2	Information	18
2.6	MOTOR FLANGE AVAILABILITY	19
2.6.1	HA Motor flange availability	19
2.6.2	H Motor flange availability	20
2.7	OUTPUT SHAFT BEARINGS	24
2.8	OVERHUNG LOAD	25
2.8.1	Information	25
2.8.2	Input	25
2.8.3	Output	26
2.9	LUBRICATION	27
2.9.1	Information	27

2.9.2	Lubricants	27
2.9.3	Special lubricants	28
2.9.4	Quantity	29
2.10	MOMENTS OF INERTIA	30

3. DIMENSIONS

3.1	REDUCERS/GEARED MOTORS	31
3.1.1	HA31	31
3.1.2	HA.1	32
3.1.3	CHA.1	33
3.1.4	IHA.1	34
3.1.5	HA.2	35
3.1.6	CHA.2	37
3.1.7	IHA.2	39
3.1.8	HA.3	41
3.1.9	CHA.3	43
3.1.10	IHA.3	45
3.1.11	HR..1	47
3.1.12	CHR..1	49
3.1.13	IHR..1	51
3.1.14	H..2/3	53
3.1.15	CH..2/3	55
3.1.16	IH..2/3	57
3.2	ELECTRIC MOTORS	59
3.2.1	Electric motors	59
3.2.2	Standard high efficiency (TS), high (TH) and premium (TP) motors	61
3.2.3	Nominal power - [kW]	62
3.3	WEIGHTS	63
3.4	SHAFT END	65

4. ACCESSORIES AND OPTIONS

4.1	OUTPUT FLANGE	66
4.2	BACKSTOP DEVICE	67
4.3	REINFORCED OIL SEALS FOR OUTPUT SHAFT	69

5. PERFORMANCES

5.1	H/HA GEARED MOTORS (50Hz)	70
5.2	IH/IHA GEAR REDUCER - 1750 rpm	200
5.3	IH/IHA GEAR REDUCER - 1400 rpm	214
5.4	IH/IHA GEAR REDUCER - 1140 rpm	228
5.5	IH/IHA GEAR REDUCER - 900 rpm	242
5.6	IH/IHA GEAR REDUCER - 700 rpm	256
5.7	IH/IHA GEAR REDUCER - 500 rpm	270

6. SALES CONDITIONS

6.1	SALES CONDITIONS	284
-----	------------------------	-----

1.1.1 Symbols

Physical dimension	Symbol	Symbol units of measure	Input	Output
Power	P	[kW]	P ₁	P ₂
Requested power	Pr	[kW]	Pr ₁	Pr ₂
Nominal power	Pn	[kW]	Pn ₁	Pn ₂
Torque	M	[Nm]	M ₁	M ₂
Nominal torque	Mn	[Nm]		Mn ₂
Requested torque	Mr	[Nm]	Mr ₁	Mr ₂
Speed	n	[rpm]	n ₁	n ₂
Force	F	[N]		
Radial load	Fr	[N]	Fr ₁	Fr ₂
Axial load	Fa	[N]	Fa ₁	Fa ₂
Reduction ratio	i			
Dynamic efficiency	η _d			
Service factor	f.s.			
Static	s			
Dynamic	d			
Calculated	c			
Maximum	max			
Minimum	min			
Moment of inertia	J	[kgm ²]	J ₁	
Ambient temperature	T _{amb}	[°C]		
Dimension		[mm]		

1.1.2 Formulas

REDUCER		
Starting or stopping time	$t = v / a$	[s]
Velocity in rotary motion	$v = \pi * d * n / 60$ $v = \omega * r$	[m/s]
Speed velocity Angular velocity	$n = 60 * v / (\pi * d)$ $\omega = v / r$	[rpm] [rad/s]
Acceleration or deceleration according to a starting / stopping time	$a = v / t$	[m/s ²]
Angular acceleration	$\alpha = n / (9,55 * t)$ $\alpha = \omega / t$	[rad/s ²]
Starting or stopping distance (according to acceleration / deceleration or angular velocity)	$s = a * t^2 / 2$ $s = v * t / 2$	[m]
Horizontal translation force	$F = \mu * m * g$	[N]
Vertical translation force (lifting)	$F = m * g$	
Inclined plane translation force	$F = m * g (\mu * \cos\beta + \sin\beta)$	
m= mass [kg]; g= gravity acceleration [m/s ²]; μ= friction coefficient; β= angle of inclination		
Moment of inertia	$J = m * v^2 / \omega^2$	[kgm ²]
Torque	$M = F * d / 2$ $M = J * \omega / t$	[Nm]

MOTOR and GEARMOTOR		
Starting time	$t_a = (J_{ext} + J_m) * n_n / 9,55 + (M_{peak} - M_r)$	[s]
Braking time	$t_s = (J_{ext} + J_m) * n_n / 9,55 + (M_{peak} + M_r)$	[s]
Motor rotation angle during starting	$\varphi = n_n * t_a / 19,1$	[rad]
Motor rotation angle during braking	$\varphi = n_n * t_s / 19,1$	[rad]
Power available at the shaft of single phase motor	$P = V * I * \eta * \cos\omega$	[W]
Power available at the shaft of three phase motor	$P = 1,73 * V * I * \eta * \cos\omega$	[W]

RUNNING at 60Hz		
Speed velocity at 60Hz	$n_{60Hz} = 1,2 * n_{50Hz}$	[rpm]
Power at 60Hz	$P_{1\ 60Hz} = P_{1\ 50Hz} * V_{60Hz} / V_{50Hz}$	[kW]
If input voltage at 60 Hz (V _{60Hz}) corresponds to winding voltage at 50 Hz (V _{50Hz}), power doesn't change $P_{1\ 60Hz} = P_{1\ 50Hz}$		
If input voltage at 60 Hz (V _{60Hz}) is 20% higher than winding voltage at 50 Hz (V _{50Hz}), power increases by 20% $P_{1\ 60Hz} = 1,2 P_{1\ 50Hz}$		
Torque at 60Hz	$M_{60Hz} = M_{50Hz} * P_{1\ 60Hz} / (1,2 * P_{1\ 50Hz})$	[Nm]
Service factor at 60Hz	$f.s_{60Hz} = f.s_{50Hz} * 1,175 * P_{1\ 50Hz} / P_{1\ 60Hz}$	-

For correctly selecting a gear reducer or geared motor, several essential pieces of data are required:

- A. The rotational input speed to the gear reducer (n_1) and the rotational output speed (n_2). Through these two values it is possible to calculate the reduction ratio (i) of the gear reducer using the following formula: $i = n_1/n_2$
- B. The torque required by the application (Mr_2).

The geared motor or gear reducer can be selected once this data is known.

This guide helps you to select the right product in just a few steps:

Geared motor selection

1. Determine the application's actual service factor (**s.f.**). This parameter depends on the type of load of the powered machine, the number of starts per hour and the hours of operation (refer to the "Service factor" paragraph).
2. Calculate the input power Pr_1 using the required torque value Mr_2 , the speed n_2 and dynamic efficiency value. $Pr_1 = (Mr_2 * n_2) / (9550 * \eta_d)$. The dynamic efficiency value depends on the type of gear reducer and on the number of gear reduction stages. (To calculate the efficiency value see its page).
3. Consult the geared motor performance tables and identify a normalised power value Pn_1 exceeding the required power Pr_1 , such that: $Pn_1 \geq Pr_1$
4. Once the suitable nominal power has been identified, select the geared motor capable of generating the rotational speed closest to the desired n_2 value and with service factor s.f. greater or equal to that required by the application.

In the geared motor selection tables the combinations include 2-pole, 4-pole and 6-pole motors powered at 50Hz.

Gear reducer selection

1. Determine the application's service factor (**s.f.**) (consult to the "Service factor" paragraph on its page).
2. Calculate the reduction ratio i from the requested output speed n_2 and from the input speed n_1 . $i = n_1/n_2$
3. Calculate the torque M_{c_2} for selecting the gear reducer through the torque required by the application Mr_2 and the service factor s.f.: $M_{c_2} = Mr_2 * (s.f.)$
4. Consult the Gear Reducer Performance tables looking for the reducer that, with the reduction ratio closer to the calculated one, has a nominal torque Mn_2 so that: $Mn_2 \geq M_{c_2}$

Checks

Once the gear reducer or geared motor has been selected, the following checks should be performed:

A. Thermal power

The gear reducer's thermal power must be equal to or greater than the installed mechanical power, or the power required by the application according to the indications contained in the section (refer to the "Thermal power" paragraph).

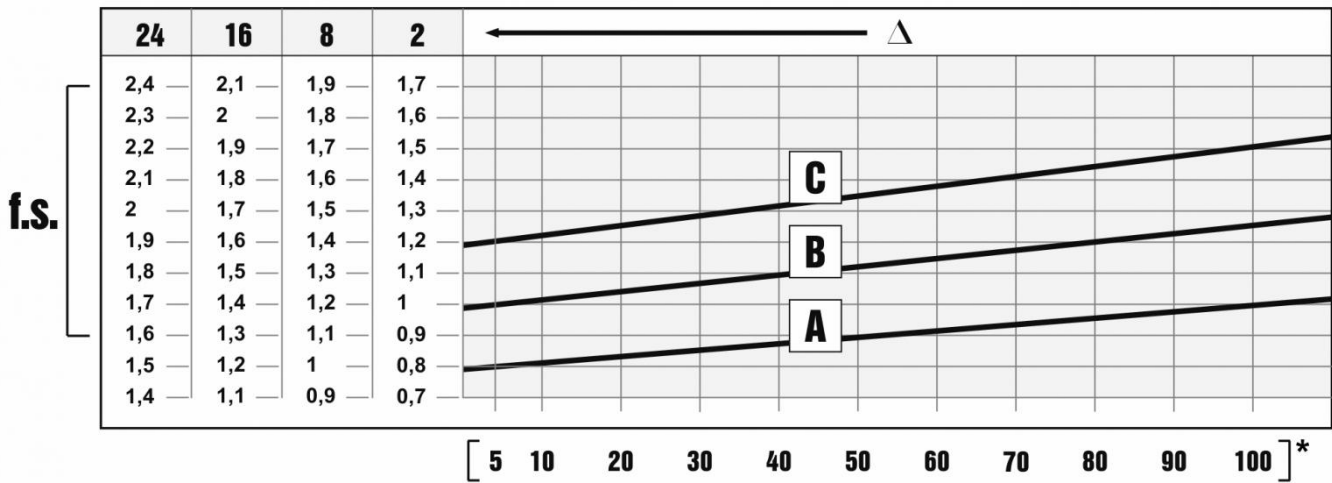
B. Maximum torque

Generally, the maximum torque (peak instantaneous load) that can be applied to the gear reducer must not exceed 200% of the nominal torque Mn_2 (ATEX - M_{2max}).

C. Radial loads

1. Verify that the radial loads acting on the input and/or output shafts are within with the values indicated in the catalogue. If they exceed these values, increase the size of the gear reducer or modify the external load capacity. During the checking phase, it is important to remember that the values indicated in the catalogue refer to loads acting on the mid-point of the shaft protrusion, therefore, if the load is applied to a different position, appropriate formulas must be used to calculate the admissible load in the desired position (refer to the "Radial loads" paragraph).
2. If accessory output shafts are present, make sure that the applied load is compatible with shaft size. If help is needed: contact MOTOVARIO TECHNICAL SERVICE.

D. If an electric motor is going to be fitted to the selected gear reducer, check for its applicability by referring to the configuration table (see paragraph "Motor flange availability"). From IEC 180 motors, verify if necessary to support the motor with feet. In case of need please contact MOTOVARIO TECHNICAL SERVICE.



The service factor (f.s.) depends on the operating conditions the gear reducer is subjected to. The parameters that need to be taken into consideration to select the most adequate service factor correctly comprise:

- type of load of the operated machine : A - B - C
- length of daily operating time: hours/day (Δ)
- start-up frequency: starts/hour (*)

LOAD:

- **A** - uniform = $f_a \leq 0,3$
- **B** - moderate shocks = $f_a \leq 3$
- **C** - heavy shocks = $f_a \leq 10$

$f_a = J_e/J_m$

- J_e [kgm^2] moment of reduced external inertia at the drive-shaft
- J_m [kgm^2] moment of inertia of motor

If $f_a > 10$ call MOTOVARIO TECHNICAL SERVICE.

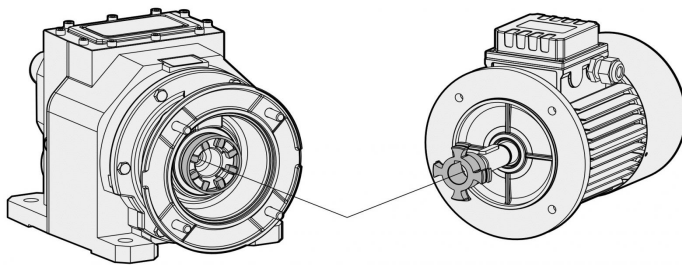
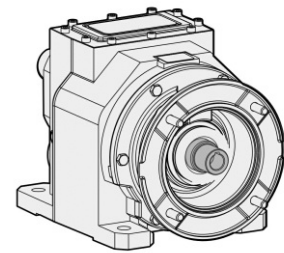
- A. Screw feeders for light materials, fans, assembly lines, conveyor belts for light materials, small mixers, lifts, cleaning machines, fillers, control machines.
- B. Winding devices, woodworking machine feeders, goods lifts, balancers, threading machines, medium mixers, conveyor belts for heavy materials, winches, sliding doors, fertilizer scrapers, packing machines, concrete mixers, crane mechanisms, milling cutters, folding machines, gear pumps.
- C. Mixers for heavy materials, shears, presses, centrifuges, rotating supports, winches and lifts for heavy materials, grinding lathes, stone mills, bucket elevators, drilling machines, hammer mills, cam presses, folding machines, turntables, tumbling barrels, vibrators, shredders.

To install the gear reducer it is necessary to note the following recommendations:

- Check the correct direction of rotation of the gear reducer output shaft before fitting the unit to the machine.
- In the case of particularly lengthy periods of storage (4/6 months), if the oil seal is not immersed in the lubricant inside the unit, it is recommended to change it since the rubber could stick to the shaft or may even have lost the elasticity it needs to function properly.
- Whenever possible, protect the gear reducer against solar radiation and bad weather.
- Ensure the motor cools correctly by ensuring good passage of air from the fan side.
- In the case of ambient temperatures $< -5^{\circ}\text{C}$ or $> +40^{\circ}\text{C}$ call MOTOVARIO TECHNICAL SERVICE.
- The various parts (pulleys, gear wheels, couplings, shafts, etc.) must be mounted on the shafts using special threaded holes or other systems that anyhow ensure correct operation without risking damage to the bearings or external parts of the units. Lubricate the surfaces in contact to avoid seizure or oxidation.
- Painting must definitely not go over rubber parts and the holes on the breather plugs, if any.
- For units equipped with oil plugs, replace the closed plug used for shipping with the special breather plug.
- Check the correct level of the lubricant through the indicator, if there is one.
- Starting must take place gradually, without immediately applying the maximum load.
- When there are parts, objects or materials under the motor drive that can be damaged by even limited spillage of oil, special protection should be fitted.

Assembling motor on pam flange

When the unit is supplied without motor, it is necessary to follow these recommendation to ensure the correct assembly of the electric motor. Check that the tolerances for the motor shaft and flange correspond to the "standard". Carefully clean the shaft, spigot and surfaces of the flange removing traces of paint and dirt, and confirm the key is fitted correctly. Fit the half coupling/sleeve to the motor shaft (see picture) taking care to ensure the motor shaft and bearings are not damaged by avoiding excessive force and where necessary using assembly equipment. Place the couplings elastic element onto the motor half coupling and position the motor up to the gear unit ensuring the coupling element is aligned with the driven half coupling. Complete the assembly using the fixing bolts. Key-ways with tightened tolerances.

Flexible joint**PAM Sleeve**

Motovario products are supplied with the following surface treatment features:

Die-cast aluminium alloy cases for gears

Die-cast materials undergo the following surface cleaning operations:

- De-burring by means of a mechanically operated shearing system.
- Accurate shot-peening.
- Painting.
- Washing and passivation.

Grey-coloured cast-iron cases for gears

- Die-cast materials are always painted.

Grey-coloured cast-iron inspection cover: The gear reducer H... series with 2, 3 stages sizes 125, 140 are supplied with grey-coloured cast-iron closing cover and a metal nameplate printed.



Painting specifications:

- Orange-peel blue epoxy-polyester RAL 5010. Polyester resin based heat-hardening powders, altered with epoxy resins.

Mechanical properties: Tests carried out onto degreased Unichim white lattens (film thickness: 60 microns) comply with the following specifications: adherence (ISO2409).

Heat resistance: 24 HOURS AT 150°C.

Corrosion strength: ASTM B 117/97 salt fog from 100 to 500 hours depending on the support's preliminary treatment.

Performance:

- Loading capacity in accordance with DIN 3990, ISO 6336, AGMA 2101, ISO 10300, DIN 3991, ISO 281, DIN 743.

Dynamic η :

- The efficiency is the ratio between the output power P_2 and the power absorbed by the gear reducer P_1 : $\eta = P_2/P_1$.

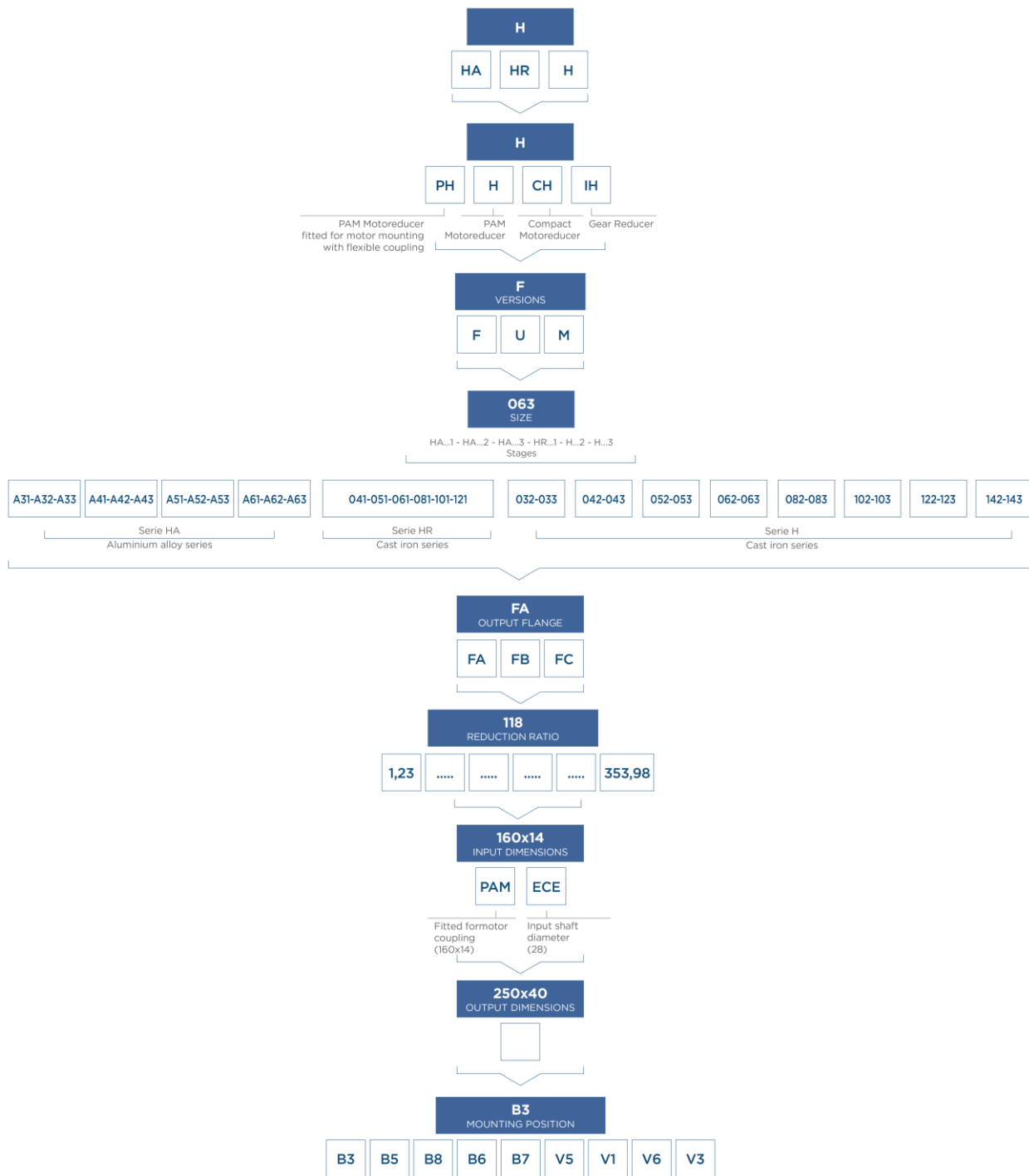
H/HA-range helical gear reducers have an average value equal to:

H..1 stages = 0,97

H..2 stages = 0,96

H..3 stages = 0,94

2.2.1 Designation



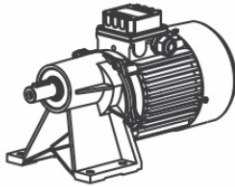
2.2 TYPOLOGY

2.2.2 Versions

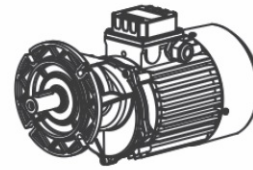
A30 - A40 - A50 - A60

SINGLE STAGE

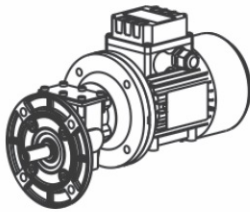
CASING WITH FOOT



F CASING WITH FLANGE

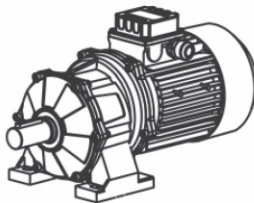


A31 CASING WITH FLANGE

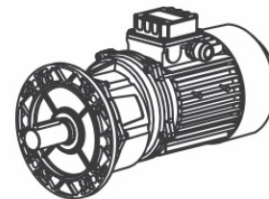


DOUBLE AND TRIPLE STAGE

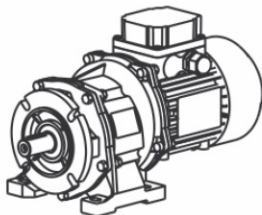
CASING WITH FOOT



F CASING WITH FLANGE



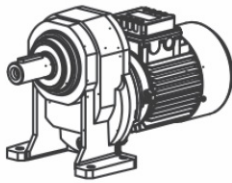
U CASING UNIVERSAL



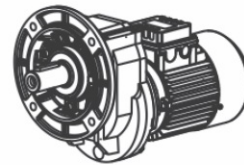
030 - 040 - 050 - 060 - 080 - 100 - 120 - 140

SINGLE STAGE

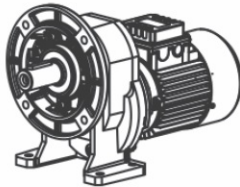
CASING WITH FOOT



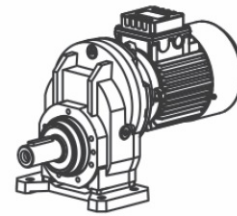
F CASING WITH FLANGE



U CASING UNIVERSAL

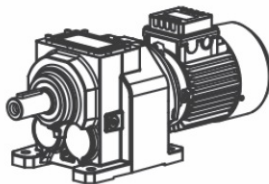


M CASING MONO

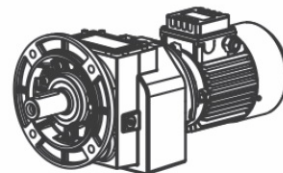


DOUBLE AND TRIPLE STAGE

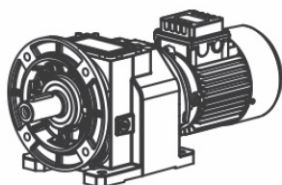
CASING WITH FOOT



F CASING WITH FLANGE

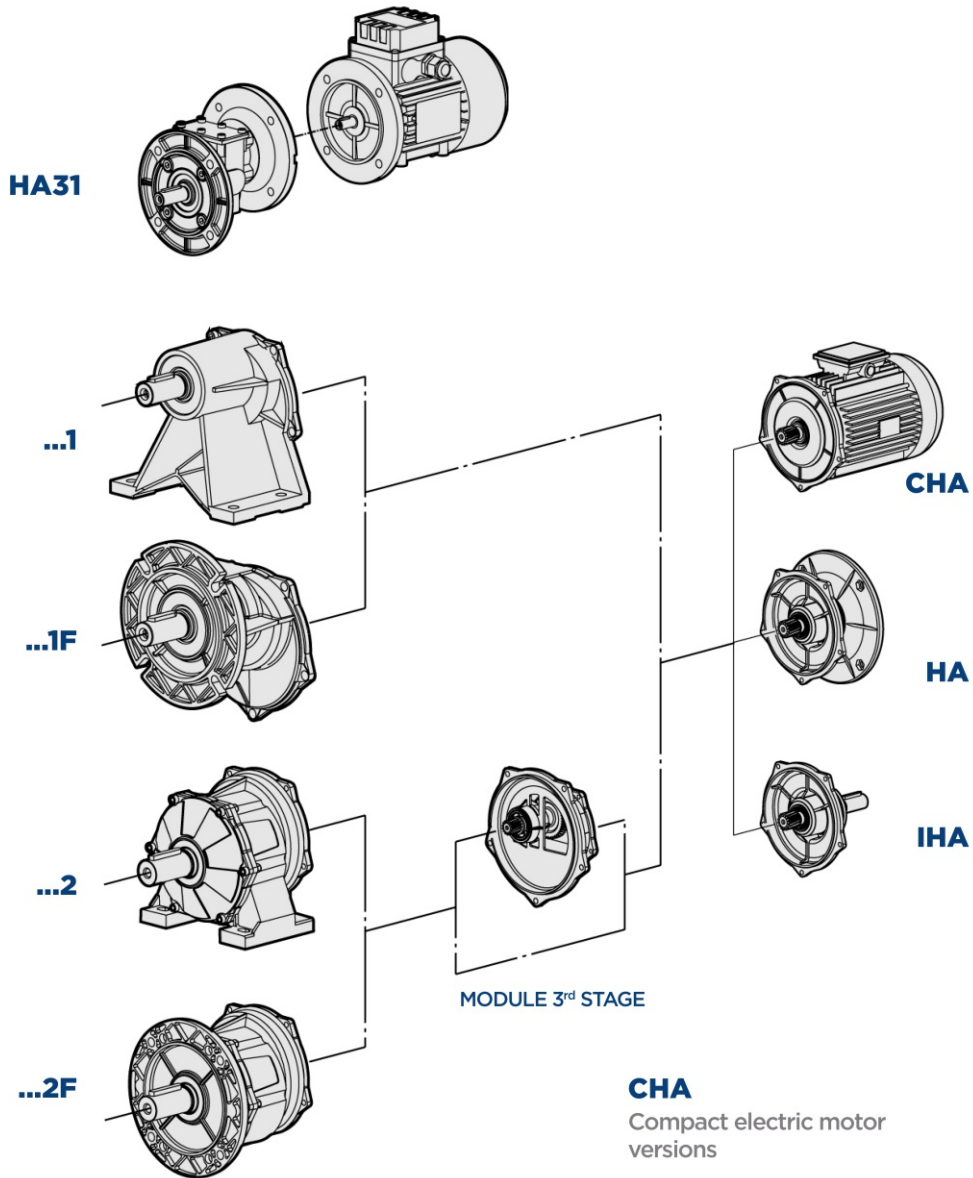


U CASING UNIVERSAL



2.2.3 Modularity

HA ALUMINIUM ALLOY SERIES

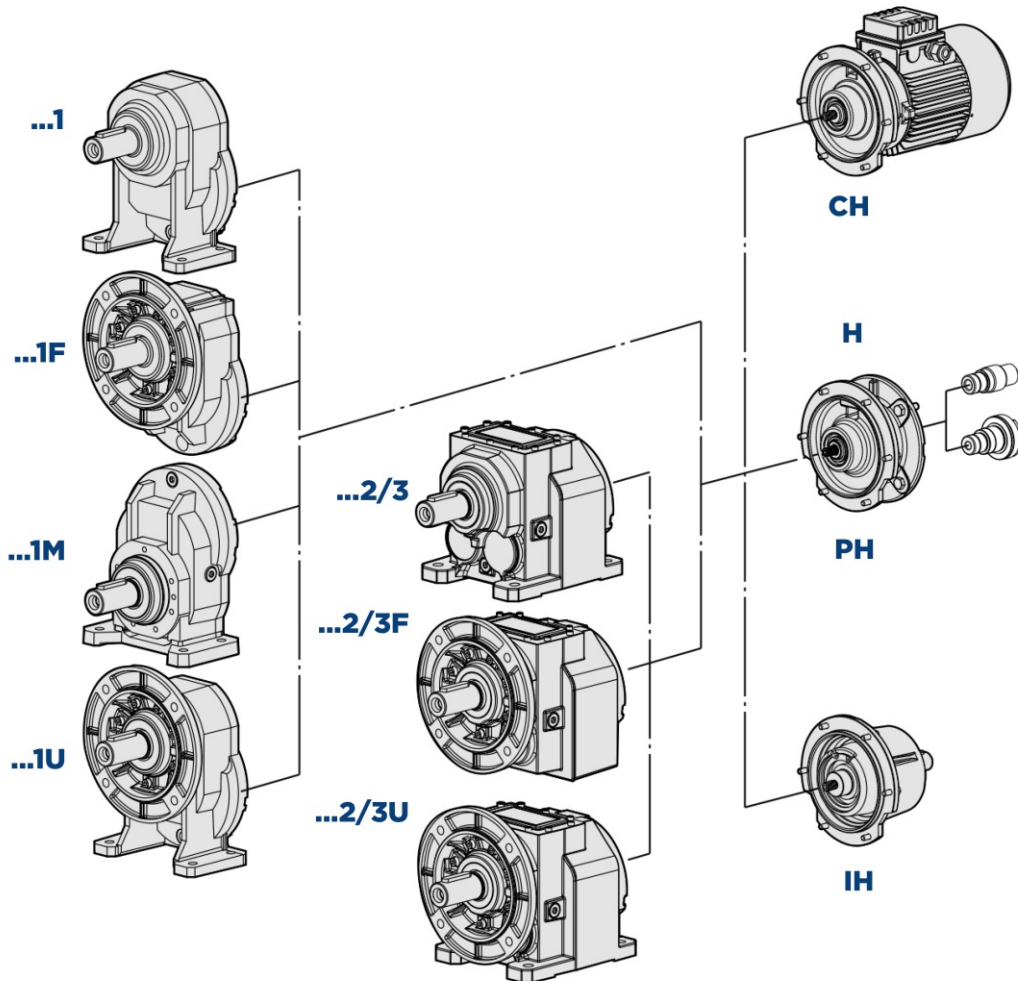


CHA
Compact electric motor versions

HA
Fitted for motor coupling version (PAM)

IHA
Input shaft versions

H GREY CAST IRON SERIES



CH
Compact electric motor versions

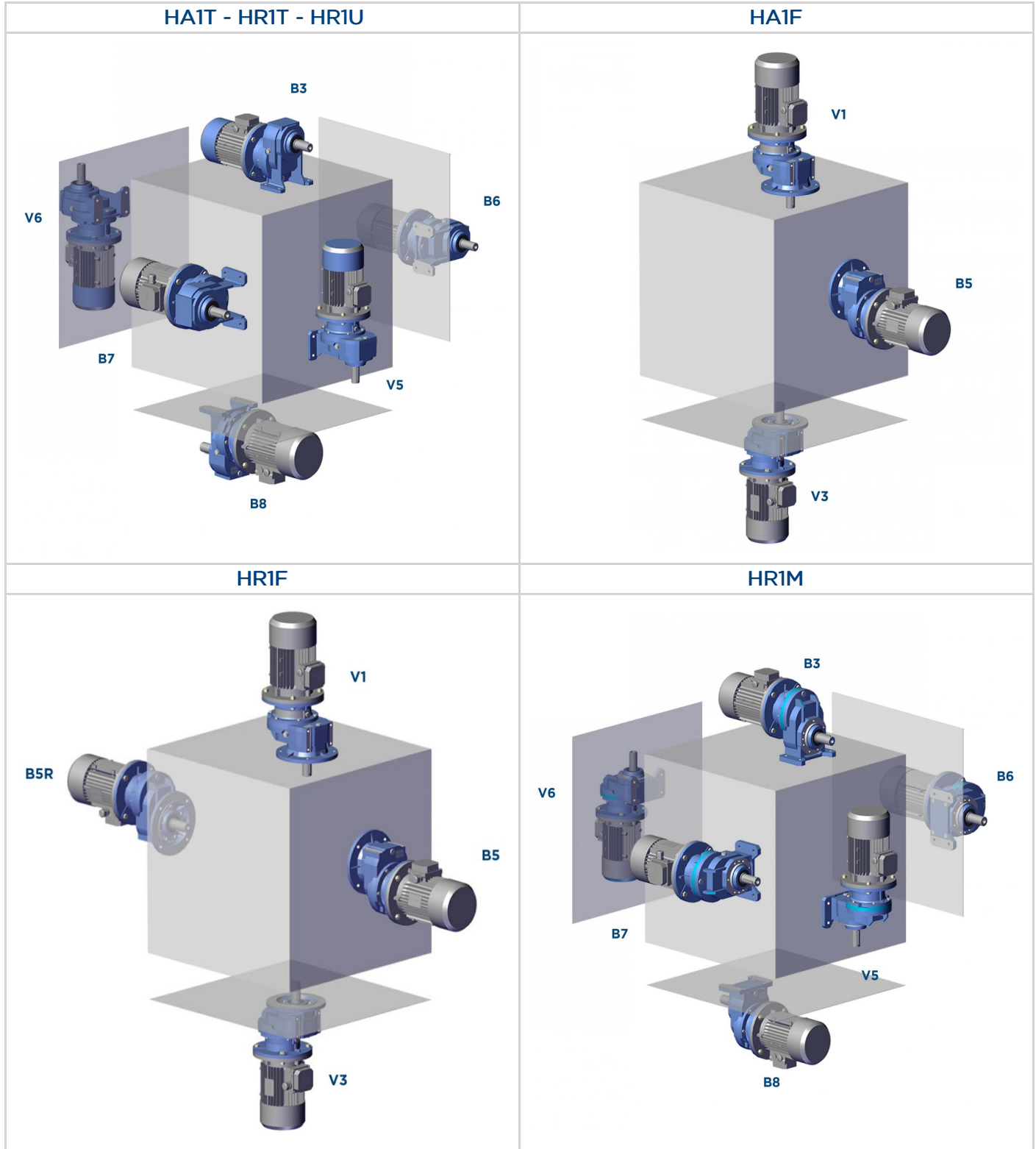
H
Fitted for motor coupling version (PAM)

PH
Fitted for motor mounting with flexible coupling

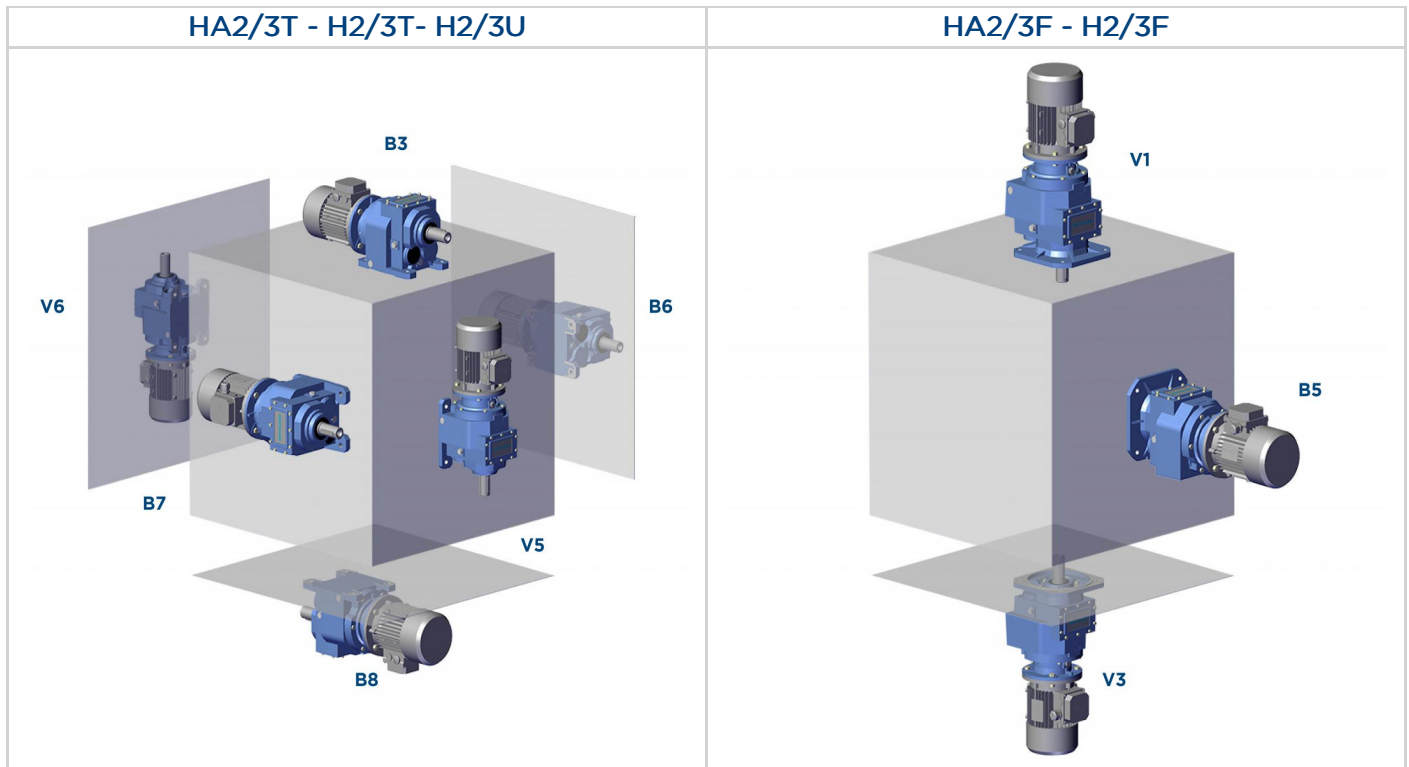
IH
Input shaft versions

2.3.1 Mounting positions

The mounting position of the gear unit identifies its space orientation. B3 mounting position, as from a technical point of view, ensures lower oil splash, better lubrication and less heating.

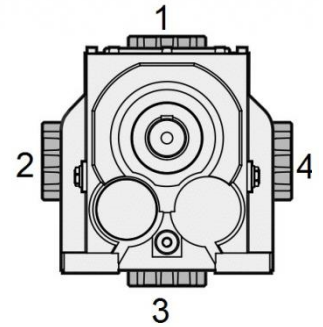
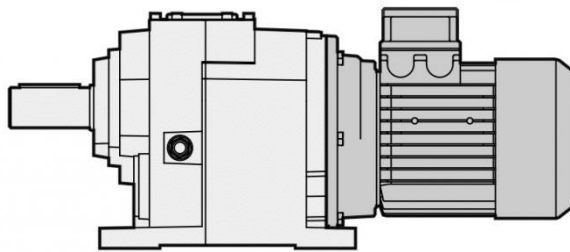
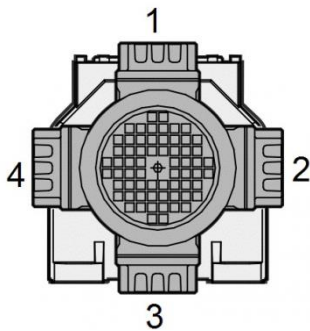


2.3 MOUNTING POSITIONS



2.3.2 Position of terminal box

Unless otherwise specified when ordering, the gear reducer is supplied with terminal box in position 1.



2.4.1 Information

The scheme below indicates the nominal thermal power capacity Pth [kW] according to the following conditions:

- mounting position B3
- continuous operation at input speed <= 1,500 rpm
- environment temperature T_{amb}=25°C
- sea level altitude
- air speed around the gear reducer >=1m/s
- absence of external radial and/or axial loads

n ₁ = 1500rpm					
	Pth [kW]		Pth [kW]		Pth [kW]
HA31	/	HR041	6	H032	5
HA41	5	HR051	8,5	H042	7
HA51	7	HR061	13,5	H052	9
HA61	15	HR081	27,2	H062	15,5
HA32	5	HR101	51,5	H082	24
HA42	6,5	HR121	67,5	H102	30
HA52	11			H122	36
HA62	15			H142	49

A correct lubrication and a proper running condition of the gearbox are guaranteed only applying an input power not exceeding Pth (at the above reference conditions)(T oil max=95°C).

NOTE: Normally, three stages gearboxes do not require thermal power verification because the thermal rating usually exceed the mechanical one.

2.4.2 Verification

Application check

Except for continuous operating times below two hours and successive pauses capable of bringing the gear reducer back to ambient temperature, for each application it is peremptory to verify the gear reducer’s thermal limit according to the following formula: **P₁ < Pth * Fc * Fv * Fa**, where:

- P₁ = input power to the gear reducer [kW]
- Pth = thermal power at the reference conditions [kW] (see above table)
- Fc = ambient and operating temperature correction factor
- Fv = ventilation correction factor
- Fa = altitude correction factor

The correction factors refer to different operating conditions compared to the reference conditions, and are provided by the following ISO14179 tables:

Ambient temperature °C	Fc	Duty per hour of operation %				
		100	80	70	40	20
10	1,15	1,21	1,32	1,55	2,07	
18	1,07	1,12	1,23	1,44	1,93	
25	1,00	1,05	1,15	1,35	1,80	
30	0,93	0,98	1,07	1,26	1,67	
40	0,83	0,87	0,95	1,12	1,49	
43	0,75	0,79	0,86	1,01	1,35	
50	0,67	0,70	0,77	0,90	1,21	

Altitude (m)	Fa
0*	1
750	0,95
1500	0,9
2250	0,85
3000	0,81

Ventilation correction factor	Fv
Stagnant air (<0,5 m/s)	0.75
Indoor installation with slight ventilation	1
Indoor installation with good ventilation (>1,4 m/s)	1.4
Installazione all’aperto (>3,7 m/s)	1.9

*Sea level

In case of operation at input speeds exceeding 2000 rpm, or ambient temperatures greater than 40°C, it is advisable to contact out technical department.

2.5.1 Critical applications

H	A31	A30	A40	A50	A60
V5 - V1: 1500 < n1 < 3000	✓	✓	✓	✓	✓
n1 > 3000	B	B	B	B	B
V3 - V6	B	B	B	B	B

H	030	040	050	060	080	100	125	140
V5 - V1: 1500 < n1 < 3000	✓	✓	✓	✓	✓	✓	B	B
n1 > 3000	B	B	B	B	B	B	A	A
V3 - V6	B	B	B	B	B	B	B	B

✓ Verified application

A Application not recommended

B Check the application and/or call MOTOVARIO TECHNICAL SERVICE.

2.5.2 Information

The performance given in the catalogue correspond to mounting position B3 or similar, when the first stage is not entirely immersed in oil. For other mounting positions and/or particular input speeds, refer to the tables that highlight different critical situations for each size of gear reducer. It is also necessary to take due consideration of and carefully assess the following applications by calling MOTOVARIO TECHNICAL SERVICE:

- To avoid the use as multiplier.
- Use in services that could be hazardous for people if the gear reducer fails.
- Applications with especially high inertia.
- Use as a lifting winch.
- Applications with high dynamic strain on the case of the gear reducer.
- In places with T_{amb} under -5°C or over 40°C .
- Use in chemically aggressive environments.
- Use in a salty environment.
- Mounting positions not envisaged in the catalogue.
- Use in radioactive environments.
- Use in environments pressures other than atmospheric pressure.

Avoid applications where even partial immersion of the reducer is required.

In the presence of overloading due to full load, braking, shocks or other static and dynamic causes, please verify that the peak torque is less than $2 \cdot M_{n2}$.

2.6.1 HA Motor flange availability

B10 = Compact electric motor versions.

These tables report all possible dimensions. Please verify service factor.

	i	063	071	080	090	100	112
CH A32	5,38 ÷ 30,55	B10	B10	B10			
CH A32	35,44 ÷ 60,67	B10	B10				
CH A33	51,32 ÷ 166,61	B10	B10				
CH A33	193,3 ÷ 347,29	B10	B10	B10			
CH A41	1,45 ÷ 5,45	B10	B10	B10			
CH A41	7,88 ÷ 10,83	B10	B10				
CH A42	5,38 ÷ 30,55	B10	B10	B10	B10		
CH A42	35,44 ÷ 60,67	B10	B10				
CH A43	51,32 ÷ 166,61	B10	B10	B10	B10		
CH A43	193,3 ÷ 347,29	B10	B10				
CH A51	1,45 ÷ 5,45	B10	B10	B10	B10		
CH A51	7,88 ÷ 10,83	B10	B10				
CH A52	5,14 ÷ 25,43			B10	B10	B10	B10
CH A52	29,89 ÷ 61,87			B10	B10		
CH A53	49,8 ÷ 163,05	B10	B10	B10	B10		
CH A53	200,27 ÷ 353,98	B10	B10				
CH A61	1,33 ÷ 4,38			B10	B10	B10	B10
CH A61	7,75 ÷ 10,67			B10	B10		
CH A62	5,14 ÷ 25,43			B10	B10	B10	B10
CH A62	29,89 ÷ 61,87			B10	B10		
CH A63	49,8 ÷ 163,05	B10	B10	B10	B10		
CH A63	200,27 ÷ 353,98	B10	B10				

	i	063	071	080	090	100	112
H A31	2,55 ÷ 4,75	B5	B5	B5			
H A31	5,1 ÷ 7,88	B5	B5				
H A31	10,83	B5					
H A32	5,38 ÷ 30,55	B5	B5-B14	B5-B14			
H A32	35,44 ÷ 60,67	B5	B5-B14				
H A33	51,32 ÷ 166,61	B5	B5-B14				
H A33	193,3 ÷ 347,29	B5	B5-B14	B5-B14			
H A41	1,45 ÷ 5,45	B5	B5-B14	B5-B14			
H A41	7,88 ÷ 10,83	B5	B5-B14				
H A42	5,38 ÷ 30,55	B5	B5-B14	B5-B14	B5-B14		
H A42	35,44 ÷ 60,67	B5	B5-B14				
H A43	51,32 ÷ 166,61	B5	B5-B14	B5-B14	B5-B14		
H A43	193,3 ÷ 347,29	B5	B5-B14				
H A51	1,45 ÷ 5,45	B5	B5-B14	B5-B14	B5-B14		
H A51	7,88 ÷ 10,83	B5	B5-B14				
H A52	5,14 ÷ 25,43			B5-B14	B5-B14	B5-B14	B5-B14
H A52	29,89 ÷ 61,87			B5-B14	B5-B14		
H A53	49,8 ÷ 163,05	B5	B5-B14	B5-B14	B5-B14		
H A53	200,27 ÷ 353,98	B5	B5-B14				
H A61	1,33 ÷ 4,38			B5-B14	B5-B14	B5-B14	B5-B14
H A61	7,75 ÷ 10,67			B5-B14	B5-B14		
H A62	5,14 ÷ 25,43			B5-B14	B5-B14	B5-B14	B5-B14
H A62	29,89 ÷ 61,87			B5-B14	B5-B14		
H A63	49,8 ÷ 163,05	B5	B5-B14	B5-B14	B5-B14		
H A63	200,27 ÷ 353,98	B5	B5-B14				

2.6.2 H Motor flange availability

B11 = Compact electric motor versions.

These tables report all possible dimensions. Please verify service factor.

*For motor size 063 the PH version does not exist.

CH - H - PH 032					
i	071	080	090	100	112
4,70	B5-B11	B5-B11	B5-B11	B5-B11	B5-B11
6,23	B5-B11	B5-B11	B5-B11	B5-B11	B5-B11
7,76	B5-B11	B5-B11	B5-B11	B5-B11	B5-B11
8,87	B5-B11	B5-B11	B5-B11	B5-B11	B5-B11
10,14	B5-B11	B5-B11	B5-B11	B5-B11	B5-B11
11,76	B5-B11	B5-B11	B5-B11	B5-B11	B5-B11
13,72	B5-B11	B5-B11	B5-B11	B5-B11	B5-B11
14,66	B5-B11	B5-B11	B5-B11	B5-B11	B5-B11
16,77	B5-B11	B5-B11	B5-B11	B5-B11	B5-B11
18,20	B5-B11	B5-B11	B5-B11	B5-B11	B5-B11
19,90	B5-B11	B5-B11	B5-B11		
22,68	B5-B11	B5-B11	B5-B11	B5-B11	B5-B11
23,83	B5-B11	B5-B11	B5-B11		
26,39	B5-B11	B5-B11	B5-B11		
29,70	B5-B11	B5-B11	B5-B11		
32,89	B5-B11	B5-B11	B5-B11		
37,92	B5-B11	B5-B11	B5-B11		
41,40	B5-B11	B5-B11	B5-B11		
47,25	B5-B11	B5-B11	B5-B11		

CH - H - PH 033				
i	*063	071	080	090
53,59	B5-B11	B5-B11	B5-B11	B5-B11
66,78	B5-B11	B5-B11	B5-B11	B5-B11
74,84	B5-B11	B5-B11	B5-B11	B5-B11
99,27	B5-B11	B5-B11	B5-B11	B5-B11
108,05	B5-B11	B5-B11		
123,71	B5-B11	B5-B11	B5-B11	B5-B11
143,33	B5-B11	B5-B11		
178,61	B5-B11	B5-B11		
197,17	B5-B11	B5-B11		
245,70	B5-B11	B5-B11		

CHR - HR - PHR 041			
i	071	080	090
1,44	B5-B11	B5-B11	B5-B11
2,00	B5-B11	B5-B11	B5-B11
2,55	B5-B11	B5-B11	B5-B11
2,71	B5-B11	B5-B11	B5-B11
3,11	B5-B11	B5-B11	B5-B11
3,59	B5-B11	B5-B11	B5-B11
4,20	B5-B11	B5-B11	B5-B11
5,00	B5-B11	B5-B11	B5-B11
5,50	B5-B11	B5-B11	B5-B11
6,09	B5-B11	B5-B11	B5-B11
7,67	B5-B11	B5-B11	B5-B11
8,75	B5-B11	B5-B11	B5-B11

CH - H - PH 042					
i	071	080	090	100	112
5,46	B5-B11	B5-B11	B5-B11	B5-B11	B5-B11
7,19	B5-B11	B5-B11	B5-B11	B5-B11	B5-B11
8,91	B5-B11	B5-B11	B5-B11	B5-B11	B5-B11
10,31	B5-B11	B5-B11	B5-B11	B5-B11	B5-B11
11,80	B5-B11	B5-B11	B5-B11	B5-B11	B5-B11
13,57	B5-B11	B5-B11	B5-B11	B5-B11	B5-B11
15,96	B5-B11	B5-B11	B5-B11	B5-B11	B5-B11
19,00	B5-B11	B5-B11	B5-B11	B5-B11	B5-B11
21,00	B5-B11	B5-B11	B5-B11	B5-B11	B5-B11
23,15	B5-B11	B5-B11	B5-B11		
26,04	B5-B11	B5-B11	B5-B11	B5-B11	B5-B11
27,50	B5-B11	B5-B11	B5-B11		
30,45	B5-B11	B5-B11	B5-B11		
34,10	B5-B11	B5-B11	B5-B11		
37,76	B5-B11	B5-B11	B5-B11		
43,75	B5-B11	B5-B11	B5-B11		
47,53	B5-B11	B5-B11	B5-B11		
54,25	B5-B11	B5-B11	B5-B11		

CH - H - PH 043				
i	*063	071	080	090
61,83	B5-B11	B5-B11	B5-B11	B5-B11
76,67	B5-B11	B5-B11	B5-B11	B5-B11
87,05	B5-B11	B5-B11	B5-B11	B5-B11
114,55	B5-B11	B5-B11	B5-B11	B5-B11
125,69	B5-B11	B5-B11		
142,04	B5-B11	B5-B11	B5-B11	B5-B11
165,38	B5-B11	B5-B11		
205,07	B5-B11	B5-B11		
227,50	B5-B11	B5-B11		
282,10	B5-B11	B5-B11		

2.6 MOTOR FLANGE AVAILABILITY

CHR - HR - PHR 051					
i	071	080	090	100	112
1,27		B5-B11	B5-B11	B5-B11	B5-B11
1,42		B5-B11	B5-B11	B5-B11	B5-B11
2,13		B5-B11	B5-B11	B5-B11	B5-B11
2,57	B5-B11	B5-B11	B5-B11	B5-B11	B5-B11
3,17	B5-B11	B5-B11	B5-B11	B5-B11	B5-B11
3,69	B5-B11	B5-B11	B5-B11	B5-B11	B5-B11
4,00	B5-B11	B5-B11	B5-B11	B5-B11	B5-B11
4,77	B5-B11	B5-B11	B5-B11	B5-B11	B5-B11
5,25	B5-B11	B5-B11	B5-B11	B5-B11	B5-B11
5,82	B5-B11	B5-B11	B5-B11	B5-B11	B5-B11
7,33	B5-B11	B5-B11	B5-B11		
8,38	B5-B11	B5-B11	B5-B11		

CH - H - PH 052					
i	071	080	090	100	112
5,73		B5-B11	B5-B11	B5-B11	B5-B11
6,89		B5-B11	B5-B11	B5-B11	B5-B11
8,53		B5-B11	B5-B11	B5-B11	B5-B11
9,56		B5-B11	B5-B11	B5-B11	B5-B11
11,51		B5-B11	B5-B11	B5-B11	B5-B11
14,24		B5-B11	B5-B11	B5-B11	B5-B11
16,59	B5-B11	B5-B11	B5-B11	B5-B11	B5-B11
18,00	B5-B11	B5-B11	B5-B11	B5-B11	B5-B11
19,97	B5-B11	B5-B11	B5-B11	B5-B11	B5-B11
21,67	B5-B11	B5-B11	B5-B11	B5-B11	B5-B11
24,71	B5-B11	B5-B11	B5-B11	B5-B11	B5-B11
26,18	B5-B11	B5-B11	B5-B11	B5-B11	B5-B11
28,44	B5-B11	B5-B11	B5-B11	B5-B11	B5-B11
31,52	B5-B11	B5-B11	B5-B11	B5-B11	B5-B11
33,00	B5-B11	B5-B11	B5-B11		
38,98	B5-B11	B5-B11	B5-B11	B5-B11	B5-B11
45,36	B5-B11	B5-B11	B5-B11		
49,13	B5-B11	B5-B11	B5-B11		
56,11	B5-B11	B5-B11	B5-B11		

CH - H - PH 053				
i	*063	071	080	090
58,81	B5-B11	B5-B11	B5-B11	B5-B11
72,75	B5-B11	B5-B11	B5-B11	B5-B11
90,51	B5-B11	B5-B11	B5-B11	B5-B11
108,95	B5-B11	B5-B11	B5-B11	B5-B11
134,76	B5-B11	B5-B11	B5-B11	B5-B11
157,29	B5-B11	B5-B11		
194,56	B5-B11	B5-B11		
216,38	B5-B11	B5-B11		
267,65	B5-B11	B5-B11		

CHR - HR - PHR 061				
i	080	090	100	112
1,34	B5-B11	B5-B11	B5-B11	B5-B11
2,13	B5-B11	B5-B11	B5-B11	B5-B11
2,57	B5-B11	B5-B11	B5-B11	B5-B11
3,17	B5-B11	B5-B11	B5-B11	B5-B11
3,69	B5-B11	B5-B11	B5-B11	B5-B11
4,00	B5-B11	B5-B11	B5-B11	B5-B11
4,77	B5-B11	B5-B11	B5-B11	B5-B11
5,25	B5-B11	B5-B11	B5-B11	B5-B11
5,82	B5-B11	B5-B11	B5-B11	B5-B11
7,33	B5-B11	B5-B11	B5-B11	B5-B11
8,38	B5-B11	B5-B11	B5-B11	B5-B11

CH - H - PH 062					
i	080	090	100	112	132
5,38	B5-B11	B5-B11	B5-B11	B5-B11	B5-B11
5,93	B5-B11	B5-B11	B5-B11	B5-B11	B5-B11
7,39	B5-B11	B5-B11	B5-B11	B5-B11	B5-B11
8,50	B5-B11	B5-B11	B5-B11	B5-B11	B5-B11
9,39	B5-B11	B5-B11	B5-B11	B5-B11	B5-B11
11,69	B5-B11	B5-B11	B5-B11	B5-B11	B5-B11
12,67	B5-B11	B5-B11	B5-B11	B5-B11	B5-B11
14,75	B5-B11	B5-B11	B5-B11	B5-B11	B5-B11
16,29	B5-B11	B5-B11	B5-B11	B5-B11	B5-B11
17,67	B5-B11	B5-B11	B5-B11	B5-B11	B5-B11
20,28	B5-B11	B5-B11	B5-B11	B5-B11	B5-B11
23,27	B5-B11	B5-B11	B5-B11	B5-B11	B5-B11
25,70	B5-B11	B5-B11	B5-B11	B5-B11	B5-B11
29,33	B5-B11	B5-B11	B5-B11	B5-B11	
32,00	B5-B11	B5-B11	B5-B11	B5-B11	B5-B11
36,99	B5-B11	B5-B11	B5-B11	B5-B11	
40,33	B5-B11	B5-B11	B5-B11	B5-B11	
46,06	B5-B11	B5-B11	B5-B11	B5-B11	

CH - H - PH 063					
i	071	080	090	100	112
49,45		B5-B11	B5-B11	B5-B11	B5-B11
54,61		B5-B11	B5-B11	B5-B11	B5-B11
68,00		B5-B11	B5-B11	B5-B11	B5-B11
85,82	B5-B11	B5-B11	B5-B11	B5-B11	B5-B11
94,76	B5-B11	B5-B11	B5-B11	B5-B11	B5-B11
118,00	B5-B11	B5-B11	B5-B11	B5-B11	B5-B11
135,40	B5-B11	B5-B11	B5-B11	B5-B11	B5-B11
149,51	B5-B11	B5-B11	B5-B11	B5-B11	B5-B11
170,67	B5-B11	B5-B11	B5-B11		
186,18	B5-B11	B5-B11	B5-B11	B5-B11	B5-B11
215,21	B5-B11	B5-B11	B5-B11		
234,67	B5-B11	B5-B11	B5-B11		
268,00	B5-B11	B5-B11	B5-B11		

2.6 MOTOR FLANGE AVAILABILITY

CHR - HR - PHR 081					
i	080	090	100	112	132
1,30					B5-B11
1,43					B5-B11
1,93					B5-B11
2,54			B5-B11	B5-B11	B5-B11
3,25			B5-B11	B5-B11	B5-B11
3,72			B5-B11	B5-B11	B5-B11
4,00			B5-B11	B5-B11	B5-B11
4,67			B5-B11	B5-B11	B5-B11
5,54	B5-B11	B5-B11	B5-B11	B5-B11	B5-B11
6,08	B5-B11	B5-B11	B5-B11	B5-B11	B5-B11
7,50	B5-B11	B5-B11	B5-B11	B5-B11	B5-B11
8,44	B5-B11	B5-B11	B5-B11	B5-B11	B5-B11

CH - H - PH 082						
i	080	090	100	112	132	160
5,39					B5-B11	B5
5,95					B5-B11	B5
7,39					B5-B11	B5
8,02					B5-B11	B5
8,85					B5-B11	B5
11,01					B5-B11	B5
13,50			B5-B11	B5-B11	B5-B11	B5
14,90			B5-B11	B5-B11	B5-B11	B5
16,60			B5-B11	B5-B11	B5-B11	B5
18,53			B5-B11	B5-B11	B5-B11	B5
19,38			B5-B11	B5-B11	B5-B11	B5
21,39			B5-B11	B5-B11	B5-B11	B5
22,80			B5-B11	B5-B11	B5-B11	B5
26,60			B5-B11	B5-B11	B5-B11	B5
27,88	B5-B11	B5-B11	B5-B11	B5-B11	B5-B11	
31,15	B5-B11	B5-B11	B5-B11	B5-B11	B5-B11	
34,38	B5-B11	B5-B11	B5-B11	B5-B11	B5-B11	
38,70	B5-B11	B5-B11	B5-B11	B5-B11	B5-B11	
42,75	B5-B11	B5-B11	B5-B11	B5-B11	B5-B11	
48,13	B5-B11	B5-B11	B5-B11	B5-B11	B5-B11	

CH - H - PH 083					
i	080	090	100	112	132
56,53	B5-B11	B5-B11	B5-B11	B5-B11	B5-B11
71,48	B5-B11	B5-B11	B5-B11	B5-B11	B5-B11
78,87	B5-B11	B5-B11	B5-B11	B5-B11	B5-B11
85,60	B5-B11	B5-B11	B5-B11	B5-B11	B5-B11
98,09	B5-B11	B5-B11	B5-B11	B5-B11	B5-B11
112,78	B5-B11	B5-B11	B5-B11	B5-B11	B5-B11
124,44	B5-B11	B5-B11	B5-B11	B5-B11	B5-B11
142,15	B5-B11	B5-B11	B5-B11	B5-B11	
154,76	B5-B11	B5-B11	B5-B11	B5-B11	B5-B11
162,35	B5-B11	B5-B11			
179,13	B5-B11	B5-B11			
195,07	B5-B11	B5-B11			
222,78	B5-B11	B5-B11			

CHR - HR - PHR 101					
i	100	112	132	160	180
1,29			B5-B11	B5	B5
1,41			B5-B11	B5	B5
2,03			B5-B11	B5	B5
2,48			B5-B11	B5	B5
3,27	B5-B11	B5-B11	B5-B11	B5	B5
3,70	B5-B11	B5-B11	B5-B11	B5	B5
4,22			B5-B11	B5	B5
4,88	B5-B11	B5-B11	B5-B11	B5	B5
5,27	B5-B11	B5-B11	B5-B11	B5	B5
6,23	B5-B11	B5-B11	B5-B11	B5	
7,55	B5-B11	B5-B11	B5-B11	B5	
8,40	B5-B11	B5-B11	B5-B11	B5	

CH - H - PH 102					
i	100	112	132	160	180
5,26			B5-B11	B5	B5
6,36			B5-B11	B5	B5
7,05			B5-B11	B5	B5
8,27			B5-B11	B5	B5
9,99			B5-B11	B5	B5
11,09			B5-B11	B5	B5
13,32	B5-B11	B5-B11	B5-B11	B5	B5
16,09	B5-B11	B5-B11	B5-B11	B5	B5
17,85	B5-B11	B5-B11	B5-B11	B5	B5
19,80	B5-B11	B5-B11	B5-B11	B5	B5
21,44	B5-B11	B5-B11	B5-B11	B5	B5
24,00	B5-B11	B5-B11	B5-B11	B5	B5
25,89	B5-B11	B5-B11	B5-B11	B5	B5
28,73	B5-B11	B5-B11	B5-B11	B5	B5
30,70	B5-B11	B5-B11	B5-B11	B5	
34,20	B5-B11	B5-B11	B5-B11	B5	
38,45	B5-B11	B5-B11	B5-B11		
41,30	B5-B11	B5-B11	B5-B11	B5	
45,82	B5-B11	B5-B11	B5-B11	B5	
51,52	B5-B11	B5-B11	B5-B11		

CH - H - PH 103					
i	090	100	112	132	160
55,47				B5-B11	B5
69,69		B5-B11	B5-B11	B5-B11	B5
79,80		B5-B11	B5-B11	B5-B11	B5
84,16		B5-B11	B5-B11	B5-B11	B5
93,36		B5-B11	B5-B11	B5-B11	B5
100,07		B5-B11	B5-B11	B5-B11	B5
120,84		B5-B11	B5-B11	B5-B11	B5
134,06		B5-B11	B5-B11	B5-B11	B5
143,40	B5-B11	B5-B11	B5-B11	B5-B11	
160,82	B5-B11	B5-B11	B5-B11	B5-B11	
181,07	B5-B11	B5-B11	B5-B11	B5-B11	
194,21	B5-B11	B5-B11	B5-B11	B5-B11	
215,45	B5-B11	B5-B11	B5-B11	B5-B11	
242,59	B5-B11	B5-B11	B5-B11	B5-B11	

2.6 MOTOR FLANGE AVAILABILITY

CHR - HR - PHR 121				
i	132	160	180	200
1,23		B5	B5	B5
1,42		B5	B5	B5
1,81		B5	B5	B5
2,00	B5-B11	B5	B5	B5
2,48	B5-B11	B5	B5	B5
2,95	B5-B11	B5	B5	B5
3,14	B5-B11	B5	B5	B5
3,58	B5-B11	B5	B5	B5
4,12	B5-B11	B5	B5	B5
4,80	B5-B11	B5	B5	B5
5,21	B5-B11	B5	B5	
6,25	B5-B11	B5	B5	
7,70	B5-B11	B5	B5	

CH - H - PH 122				
i	132	160	180	200
5,27		B5	B5	B5
5,78		B5	B5	B5
7,05		B5	B5	B5
7,74		B5	B5	B5
8,48		B5	B5	B5
10,35		B5	B5	B5
12,66	B5-B11	B5	B5	B5
13,86	B5-B11	B5	B5	B5
16,92	B5-B11	B5	B5	B5
19,30	B5-B11	B5	B5	B5
20,57	B5-B11	B5	B5	B5
22,52	B5-B11	B5	B5	B5
24,47	B5-B11	B5	B5	
27,49	B5-B11	B5	B5	B5
29,86	B5-B11	B5	B5	
33,00	B5-B11	B5	B5	
36,13	B5-B11	B5	B5	
44,10	B5-B11	B5	B5	

CH - H - PH 123						
i	100	112	132	160	180	200
45,77			B5-B11	B5	B5	B5
55,87			B5-B11	B5	B5	B5
67,32	B5-B11	B5-B11	B5-B11	B5	B5	B5
73,71	B5-B11	B5-B11	B5-B11	B5	B5	B5
83,30	B5-B11	B5-B11	B5-B11	B5	B5	B5
89,97	B5-B11	B5-B11	B5-B11	B5	B5	B5
100,30	B5-B11	B5-B11	B5-B11	B5	B5	B5
108,34	B5-B11	B5-B11	B5-B11	B5	B5	B5
118,62	B5-B11	B5-B11	B5-B11	B5	B5	B5
128,18	B5-B11	B5-B11	B5-B11	B5	B5	
144,79	B5-B11	B5-B11	B5-B11	B5	B5	B5
155,22	B5-B11	B5-B11	B5-B11	B5	B5	
172,80	B5-B11	B5-B11	B5-B11	B5	B5	
189,19	B5-B11	B5-B11	B5-B11	B5	B5	
207,40	B5-B11	B5-B11	B5-B11	B5	B5	
230,92	B5-B11	B5-B11	B5-B11	B5	B5	
259,60	B5-B11	B5-B11	B5-B11			

CH - H - PH 142				
i	160	180	200	225
5,27	B5	B5	B5	B5
6,36	B5	B5	B5	B5
7,04	B5	B5	B5	B5
7,84	B5	B5	B5	B5
9,45	B5	B5	B5	B5
10,47	B5	B5	B5	B5
13,07	B5	B5	B5	B5
15,75	B5	B5	B5	B5
17,45	B5	B5	B5	B5
20,04	B5	B5	B5	B5
24,15	B5	B5	B5	B5
26,76	B5	B5	B5	B5
32,24	B5	B5	B5	B5
38,85	B5	B5	B5	B5
43,05	B5	B5	B5	B5

CH - H - PH 143				
i	132	160	180	200
48,35		B5	B5	B5
53,50	B5	B5	B5	B5
59,22	B5	B5	B5	B5
63,00	B5	B5	B5	B5
71,35	B5	B5	B5	B5
79,07	B5	B5	B5	B5
86,40	B5	B5	B5	B5
96,21	B5	B5	B5	B5
104,51	B5	B5	B5	
115,92	B5	B5	B5	B5
128,47	B5	B5	B5	B5
139,55	B5	B5	B5	
154,33	B5	B5	B5	
185,96	B5	B5	B5	
206,08	B5	B5	B5	

2.7 OUTPUT SHAFT BEARINGS

	HA30	HA40	HA50	HA60
	Standard	Standard	Standard	Standard
HA 1	1	1	1	1
HA 2/3	1	1	1	1

	HR041		HR051		HR061		HR081	HR101	HR121
	Standard	On request	Standard	On request	Standard	On request	Standard	Standard	Standard
HR 1/M	1	2	1	2	1	2	2	2	2

	H030	H040	H050	H060	H080	H100	H125	H140
	Standard	Standard	Standard	Standard	Standard	Standard	Standard	Standard
H 2/3	2	2	2	2	2	2	2	2

1 - Ball Bearing

2 - Roller bearings

/ - Not available

2.8.1 Information

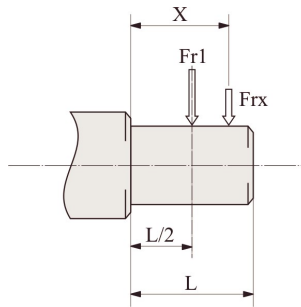
The value of the admissible radial load [N] is given in the tables relating to the performance of the gear reducer at issue. It is related to the load applied on the centre line of the shaft and in the most unfavourable conditions of angle of application and direction of rotation. The maximum admissible axial loads are 1/5 of the value of the given radial load when they are applied in combination with the radial load. The tables relating to the output shafts give the maximum admissible value. This value must never be exceeded since it relates to the strength of the case. Particular conditions of radial load higher than the limits of the catalogue may occur. In this case, call our Technical Service and provide details on the application: direction of the load, direction of rotation of the shaft, type of service. The radial load on the shaft is calculated with the following formula: $Fr_e = (2000 \cdot M \cdot fz) / D \leq Fr_1$ or Fr_2

- **Fr_e** [N] Resulting radial load
- **M** [Nm] Torque on the shaft
- **D** [mm] Diameter of the transmission member mounted on the shaft
- **Fr₁-Fr₂** [N] Value of the maximum admitted radial load (see relative tables)
- **fz** = 1,1 gear pinion - 1,4 chain wheel - 1,7 v-pulley - 2,5 flat pulley

2.8.2 Input

When the radial load is not on the centre line of the shaft, it is necessary to adjust the admissible radial load Fr₁ with the following formula: $Fr_x = (Fr_1 \cdot a) / (b + x)$

- **a**, **b** = values given in the tables
- **x** = distance from the point of application of the load to the shaft shoulder



IH	A32/A33/A41/A42/A43/A51/A53/A63	A52/A61/A62
a	84	89
b	64	69
Fr ₁ max(**)	480	800

IHR	041	051	061	081	101	121
a	105	105	105	137	175	175
b	80	80	80	108	135	135
Fr ₁ max(**)	1320	1800	2200	2500	3000	3000

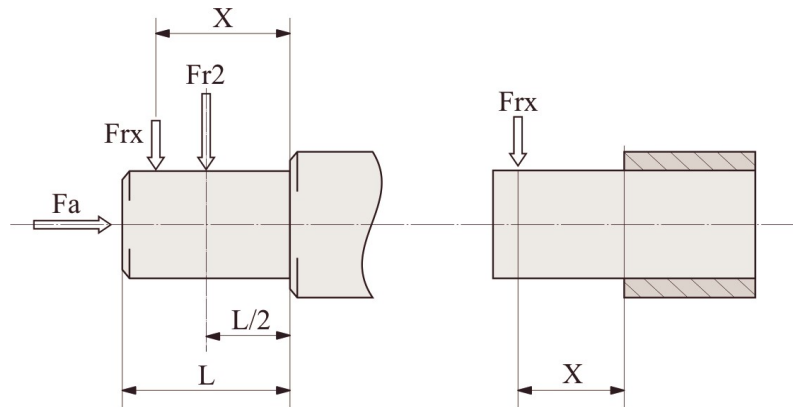
IH	032/033	042/043	052/053	062/063	082/083	102/103	122 123	142/143
a	105	105	105	137	137	175	175	225
b	80	80	80	108	108	135	135	170
Fr ₁ max(**)	2200	2200	2500	3600	3600	7200	7200	15000

(**Fr₁ max) Max admissible value of the reducer in static conditions and/or for limited operations. For continuous overhung loads please check the values on the performances tables calculated according to the casing, the shaft and bearings.

2.8.3 Output

When the radial load is not on the centre line of the shaft, it is necessary to adjust the admissible radial load Fr_2 with the following formula: $Fr_x = (Fr_2 \cdot a) / (b + x)$

- a, b = values given in the tables
- x = distance from the point of application of the load to the shaft shoulder



H	A31	A41	A51	A61	A32/A33	A42/A43	A52/A53	A62/A63
a	78,5	81	83	103	105	115	135	155
b	58,5	61	58	73	85	90	105	115
Fr2 max(**)	1100	1100	3000	4500	2000	4300	6000	8000

HR	041	051	061	081	101	121
a	89	98	115	151	210	232
b	79	73	85	111	155	177
Fr2 max(**)	1000	2500	3700	4000	5000	6000
Fa max(*)	5500	6500	7000	8500	11500	13500

H	032/033	042/043	052/053	062/063	082/083	102/103	122/123	142/143
a	120	138	169	195	238	281	331	367
b	96	108	134	155	188	221	261	282
Fr2 max(**)	5500	6600	8000	12000	18000	22000	30000	55000

(**Fr2 max) Max admissible value of the reducer in static conditions and/or for limited operations. For continuous overhung loads please check the values on the performances tables calculated according to the casing, the shaft and bearings.

(*Fa) Maximum permissible value of the gearbox with tapered roller bearings. Axial loads are not allowed with ball bearings. Sizes 041-051-061 in the STANDARD version are supplied with ball bearings.

2.9.1 Information

In cases of ambient temperatures not envisaged in the table, call our Technical Service. In the case of temperatures under -30°C or over 60°C it is necessary to use oil seals with special properties. For operating ranges with temperatures under 0°C it is necessary to consider the following:

1. The motors need to be suitable for operation at the envisaged ambient temperature.
2. The power of the electric motor needs to be adequate for exceeding the higher starting torques required.
3. In case of cast-iron gear reducers, pay attention to impact loads since cast iron may have problems of fragility at temperatures under -15°C .
4. During the early stages of service, problems of lubrication may arise due to the high level of viscosity taken on by the oil and so it is wise to have a few minutes of rotation under no load.

Oil (NON Atex products) must be changed after approx. 10000 hours/2 years of operation; this time varies based on the type of service and on the environment inside which the gear reducer is installed. Units not featuring any oil plug are life-lubricated, and therefore maintenance-free.

2.9.2 Lubricants

Specifications of lubricants recommended by Motovario.

The units **H032/3 ÷ 101/2/3** and **H121** are supplied with ENI BLASIA 220 oil, unless otherwise specified by the client.

The units **H122/3 ÷ 142/3** are supplied without lubricant.

	HA32/3 ÷ A62/3 / HR041 ÷ 121 / H032/3 ÷ 142/3	
	Mineral oil	
T _{amb} °C ISO	(-5) ÷ (+40) ISO VG220	(-15) ÷ (+25) ISO VG150
ENI	BLASIA 220	BLASIA 150
SHELL	OMALA S2 G 220	OMALA S2 G 150
KLUBER	Kluberoil GEM 1-220N	Kluberoil GEM 1-150N
MOBIL	MOBILGEAR 600 XP220	MOBILGEAR 600 XP150
CASTROL	ALPHA SP 220	ALPHA SP 150
BP	ENERGOL GR-XP220	ENERGOL GR-XP150

2.9.3 Special lubricants

	$T_{amb}^{\circ C}$	Polyglycol synthetic oil
ENI	(-30) ÷ (+30)	Blasia S 150 (ISO VG150)
	(-20) ÷ (+40)	Blasia S 220 (ISO VG220)
MOBIL	(-45) ÷ (+0)	SCH 624 (ISO VG32)
	(-40) ÷ (+5)	SCH 626 (ISO VG68)
KLUBER	(-40) ÷ (+5)	Klubersynth GH 6-32 (ISO VG32)
	(-35) ÷ 10)	Klubersynth GH 6-80 (ISO VG80)
	(-30) ÷ (+40)	Klubersynth GH 6-150 (ISO VG150)
	(-25) ÷ (+40)	Klubersynth GH 6-220 (ISO VG220)
	(-15) ÷ (+50)	Klubersynth GH 6-460 (ISO VG460)
	(-10) ÷ (+70)	Klubersynth GH 6-680 (ISO VG680)
	$T_{amb}^{\circ C}$	Polyglycol synthetic oil for food grade
KLUBER	(-30) ÷ (+15)	Klubersynth UH1-6 100 (ISO VG100)
	(-25) ÷ (+40)	Klubersynth UH1-6 220 (ISO VG220)
	(-15) ÷ (+40)	Klubersynth UH1-6 320 (ISO VG320)
	(-15) ÷ (+50)	Klubersynth UH1-6 460 (ISO VG460)
	(-10) ÷ (+50)	Klubersynth UH1-6 680 (ISO VG680)

If 'special' lubricant is required please contact for Technical Assistance.

2.9.4 Quantity

- For the gear reducer HA series with 2, 3 stages and for the reducers H series with 1, 2, 3 stages it is always necessary to specify the envisaged position.
- The gear reducer HA series with 1, 2, 3 stages all sizes, HR... series with 1 stage sizes 040, 050, 060 and H... series with 2, 3 stages sizes 030, 040, 050 are supplied complete with lubricant, have no oil plugs and need no maintenance.
- The gear reducer HR... series with 1 stage sizes 80,100,125 and H... series with 2, 3 stages sizes 060, 080, 100 are supplied complete with lubricant and are fitted with oil plugs to suit any mounting position included in the catalogue.
- The gear H... series with 2, 3 stages sizes 125, 140 have no lubricant and are fitted with oil plugs to suit any mounting position included in the catalogue. The oil filling can be done on request, in this case it is recommended, after installation, to replace the closed plug used for transportation with the supplied breather plug. When the reduction unit is supplied without lubricant, it is provided with a label to be filled.

Oil quantity in the table (litres ~) are indicative; for a proper use you will have to refer to the level plug or the dipstick. Any level difference could depend on construction tolerances, but also by the placement of the unit or by the mounting surface at the customer's premises. It is appropriate to check and, if necessary, restores the level when the units are installed.

H - CH	HA31	HA41	CHA41	A51	A61	A32	A42	A52	A62	A33	A43	A53	A63
B3-B5	0,07	0,23	0,13	0,25	0,62	0,68	0,7	1,2	1,9	1,1	1,16	1,9	2,4
B8													
B6-B7								1,6	2,1	2,5	3,1		
V5-V1													
V6-V3													

HR - CHR	041	051	061	081	101	121	041M	051M	061M	081M	101M	121M
B3-B5	0,5	0,7	0,7	1,45	3,5	4,7	0,5	0,5	0,5	1,5	3,5	3,9
B5R	0,5	0,5	0,5	1,5	3,5	3,9	-	-	-	-	-	-
B8	0,5	0,5	0,5	1,5	3,5	3,9	0,5	0,7	0,7	1,45	3,5	4,7
B6-B7	0,5	0,7	0,7	1,5	3,5	4,1	0,5	0,7	0,7	1,5	3,5	4,1
V5-V1	0,5	0,7	0,9	1,5	3,5	4,7	0,5	0,7	0,9	1,5	3,5	4,7
V6-V3	0,5	0,7	0,7	1,5	3,5	4,1	0,5	0,7	0,7	1,5	3,5	4,1

H - CH	032/033	042/043	052/053	062/063	082/083	102/103	122/123	142/143
B3-B5	0,8	1,2	1,4	2,4	4,5	8,1	12,5	22,5
B8	0,85	1,2	1,4	3,1	5	8,9	12,5	20
B6-B7	1	1,2	1,8	3	4,6	8,4	12,1	22,5
V5-V1	1,3	1,75	2,15	3,9	7,6	12,7	20,5	30,5
V6-V3	1,2	1,7	2,1	4,4	7,5	14,2	21	38

2.10 MOMENTS OF INERTIA

The following values of J1 moment of inertia are only estimated, referred to the maximum calculated, and to the gearbox input side.

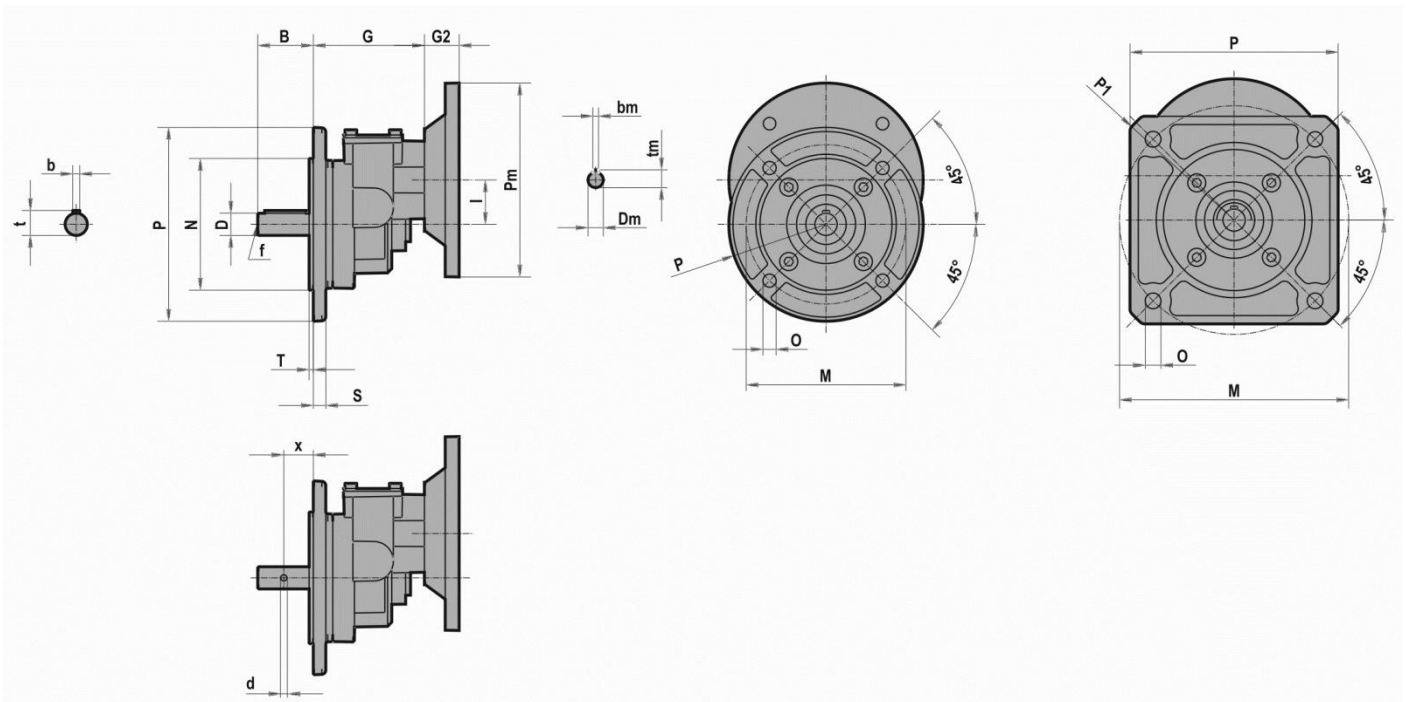
HA-1	J ₁ [Kg*m ²]
A31	0,0001
A41	0,0001
A51	0,0001
A61	0,0004

HR-1	J ₁ [Kg*m ²]
041	0,0001
051	0,0002
061	0,0005
081	0,0011
101	0,0035
121	0,0076

HA-2/3	J ₁ [Kg*m ²]
A32/A33	0,0001
A42/A43	0,0001
A52/A53	0,0003
A62/A63	0,0003

H-2/3	J ₁ [Kg*m ²]
032/033	0,0001
042/043	0,0001
052/053	0,0001
062/063	0,0002
082/083	0,0007
102/103	0,0010
122/123	0,0028
142/143	0,0044

3.1.1 HA31



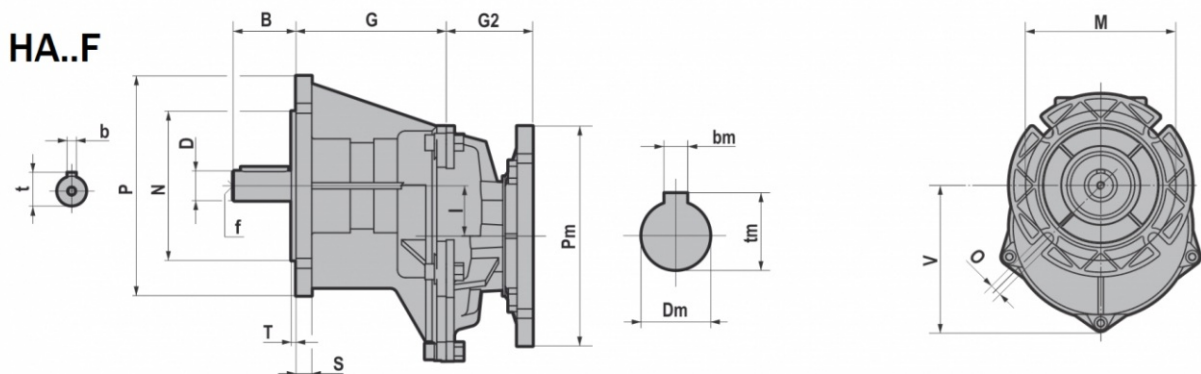
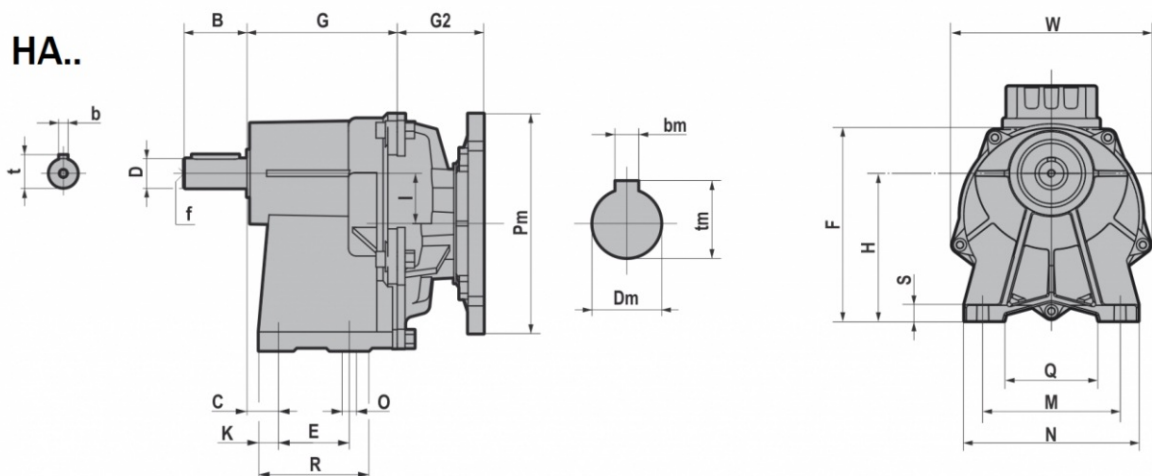
	D	B	b	t	x	d	f	G	I
HA31	11 j6	23	4	12,5	-	-	-	80	32
	14 j6	30	5	16	-	-	M6		
	16 j6	40	5	18	-	-	M6		
	19 j6	40	6	21,5	-	-	M6		
	16 j6	50	-	-	29	7	-		
	19 0/-0,2	60	-	-	37	6,5	-		
	19,7 +/- 0,05	100	-	-	50	6	M8		
	20 j6	75	-	-	45	6	-		

	P	P1	M	N	O	S	T
HA31	116	150	127	-	M8 (n.4)	-	-
	138	160	127	-	M8 (n.4)	-	-
	140	-	115	95 f7	9,5 (n.4)	9	3
	150	200	165	-	11 (n.4)	-	-

IEC	Pm x Dm	G2
063	140x11	25
071	160x14	32
080	200x19	42

B5	Pm	Dm	bm	tm
063	140	11	4	12,8
071	160	14	5	16,3
080	200	19	6	21,8

3.1.2 HA.1



	D j6	B	C	E	F	G	H	I	K	M	N	O	Q	R	S	W	b	t	f
HA41/F	16	40	20	45	151	95,5	113	32	12,5	105	130	9	75	70	12	152	5	18	M6
	19																6	21,5	M6
HA51/F	24	50	6	70	169	104	130	32	15	150	180	11	115	100	12	152	8	27	M8
HA61/F	28	60	7,5	70	219,5	129	165	47,5	20	165	200	11	120	110	15	218	8	31	M8
	24	50															8	27	M8

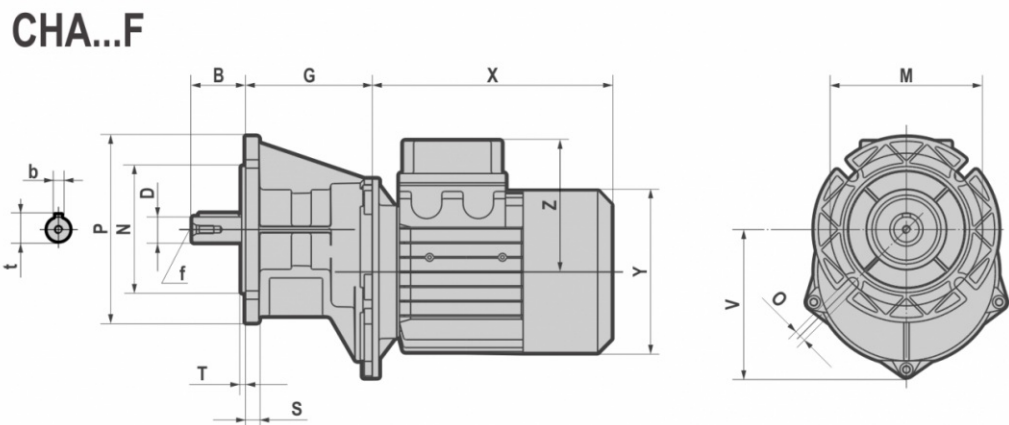
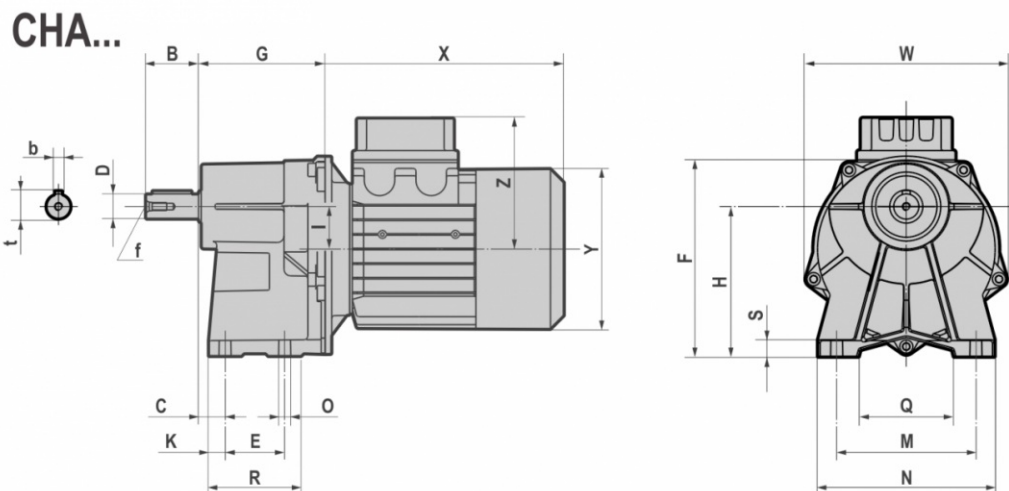
	M	N f8	O	P	S	T	V
HA41F	115	95	9 (n.4)	140	10	3	111,5
HA51F	130	110	9 (n.4)	160	10	3,5	111,5
HA61F	165	130	11 (n.4)	200	15	3,5	161,5

IEC	G2		HA41/F - HA51/F	HA61/F
	Pm x Dm	Pm x Dm		
063	140X11	090x11	55	/
071	160X14	105x14	55	/
080	200X19	120x19	86	87,5
090	200X24	140x24	86	87,5
100-112	250X28	160x28	/	87,5

B5	Pm	Dm	bm	tm
063	140	11	4	12,8
071	160	14	5	16,3
080	200	19	6	21,8
090	200	24	8	27,3
100	250	28	8	31,3
112	250	28	8	31,3

B14	Pm	Dm	bm	tm
071	105	14	5	16,3
080	120	19	6	21,8
090	140	24	8	27,3
100	160	28	8	31,3
112	160	28	8	31,3

3.1.3 CHA.1



	D j6	B	C	E	F	G	H	I	K	M	N	O	Q	R	S	W	b	t	f
CHA41/F	16	40	20	45	151	95,5	113	32	12,5	105	130	9	75	70	12	152	5	18	M6
	19																6	21,5	M6
CHA51/F	24	50	6	70	169	104	130	32	15	150	180	11	115	100	12	152	8	27	M8
CHA61/F	28	60	7,5	70	219,5	129	165	47,5	20	165	200	11	120	110	15	218	8	31	M8
	24	50															8	27	M8

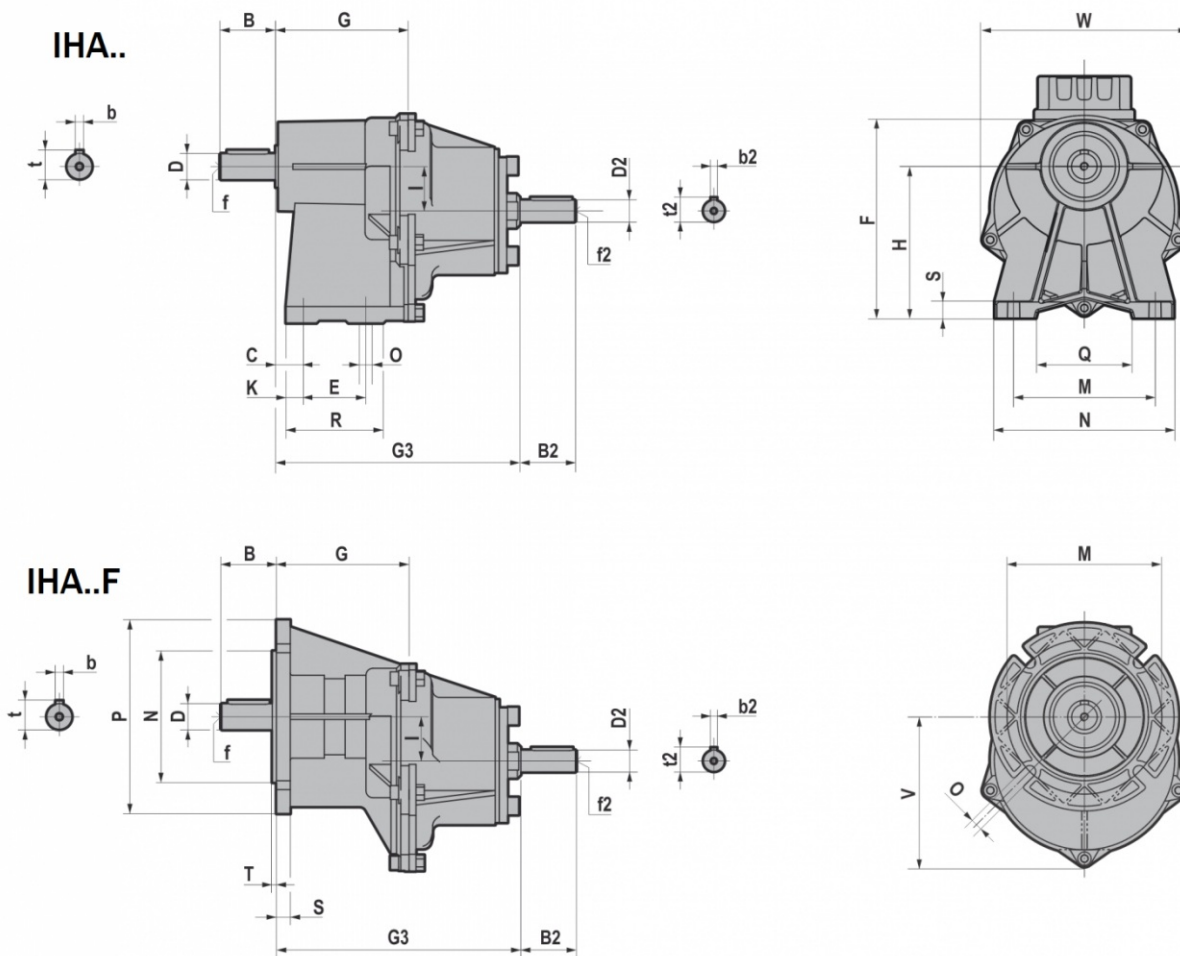
	M	N f8	O	P	S	T	V
CHA41F	115	95	9 (n.4)	140	10	3	111,5
CHA51F	130	110	9 (n.4)	160	10	3,5	111,5
CHA61F	165	130	11 (n.4)	200	15	3,5	161,5

		T (IE1 - IE2 - IE3)						
		063	071	080	090S	090L	100	112
CHA41/F CHA51/F	X	180	205	223 *(246)	232 *(265)	257 *(290)	/	/
	Y	121	139	158	173	173	/	/
	Z	104	112	122	130	130	/	/
CHA61/F	X	/	/	218 *(241)	232 *(265)	257 *(290)	290	302 *(326)
	Y	/	/	158	173	173	191	211
	Z	/	/	122	130	130	139	154

		TB (IE1 - IE2 - IE3)						
		063	071	080	090S	090L	100	112
CHA41/F CHA51/F	X	238	271	294 *(317)	309 *(342)	334 *(367)	/	/
	Y	121	139	158	173	173	/	/
	Z	119	129	137	157	157	/	/
CHA61/F	X	/	/	290 *(313)	309 *(342)	334 *(367)	372	400 *(424)
	Y	/	/	158	173	173	191	211
	Z	/	/	137	157	157	230	230

*TP80B4, TP90S4, TP90L4, TP90S6, TP112M4, TP112M6

3.1.4 IHA.1

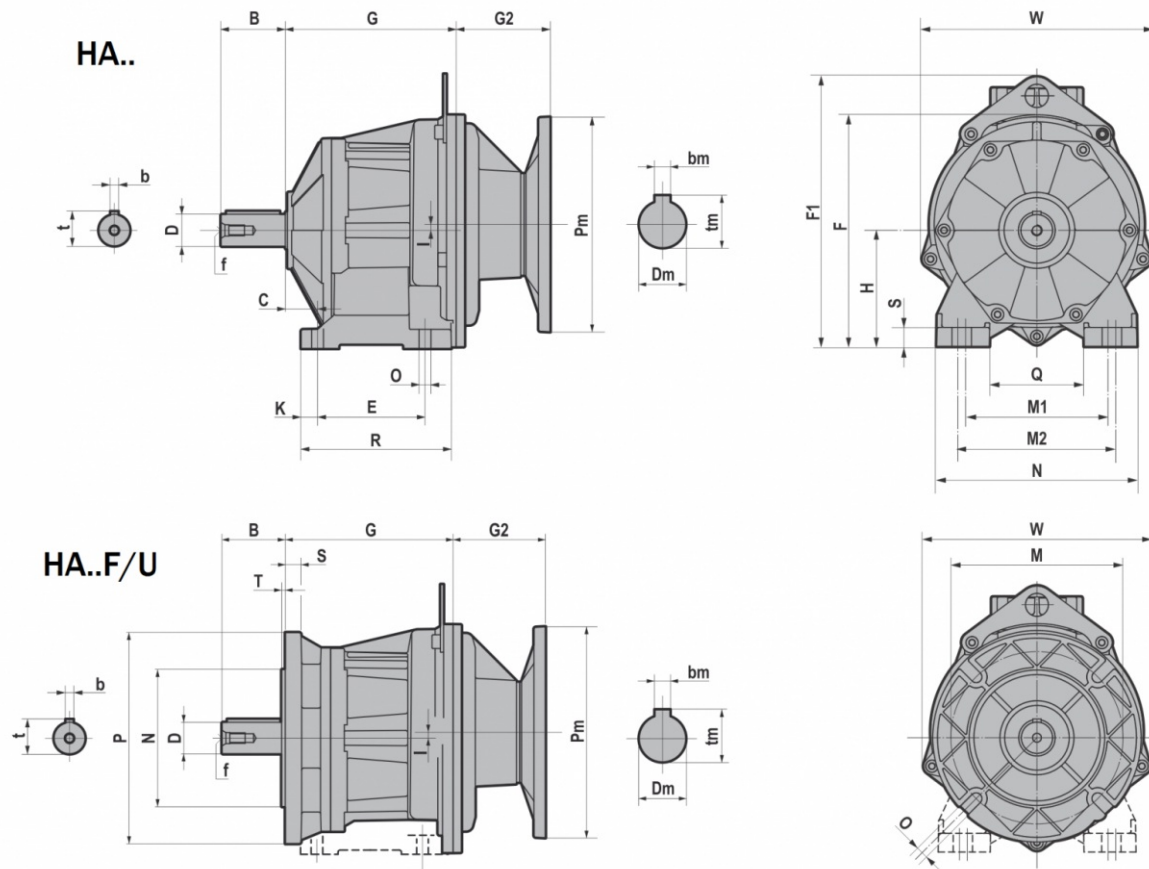


	D j6	B	C	E	F	G	H	I	K	M	N	O	Q	R	S	W	b	t	f
IHA41/F	16	40	20	45	151	95,5	113	32	12,5	105	130	9	75	70	12	152	5	18	M6
	19																6	21,5	M6
IHA51/F	24	50	6	70	169	104	130	32	15	150	180	11	115	100	12	152	8	27	M8
IHA61/F	28	60	7,5	70	219,5	129	165	47,5	20	165	200	11	120	110	15	218	8	31	M8
	24	50															8	27	M8

	M	N f8	O	P	S	T	V
IHA41F	115	95	9 (n.4)	140	10	3	111,5
IHA51F	130	110	9 (n.4)	160	10	3,5	111,5
IHA61F	165	130	11 (n.4)	200	15	3,5	161,5

	G3	D2 j6	B2	b2	f2	t2
IHA41/F	176	16	40	5	M6	18
IHA51/F	184,5	16	40	5	M6	18
IHA61/F	209	19	40	6	M6	21,5

3.1.5 HA.2



HA../F/U	D j6	B	b	t	f	C	E	F	F1	G	H	I	K	M1	M2	N	O	Q	R	S	W
HA32	20	40	6	22,5	M6	18	80	155	/	117,5	75	10	13	110	120	145	9	75	111	15	152
	19	40	6	21,5	M6																
	16	40	5	18	M6																
	14	30	5	16	M6																
HA42	25	50	8	28	M10	25	85	160	/	124,5	80	10	13	110	120	145	9	75	111	15	152
	28	60	8	31	M10																
	24	50	8	27	M8																
	22	50	6	24,5	M8																
	20	40	6	22,5	M6																
	19	40	6	21,5	M6																
HA52	30	60	8	33	M10	30	100	217,5	255,5	159	110	5,5	15,5	135	150	190	11	90	140	18	218
	35	70	10	38	M12																
	32	60	10	35	M10																
	28	60	8	31	M10																
	25	50	8	28	M10																
	24	50	8	27	M8																
HA62	40	80	12	43	M16	35	110	237,5	275,5	168	120	15,5	20	170	185	230	14	120	150	20	218
	35 k6	70	10	38	M12																
	30	60	8	33	M10																
	28	60	8	31	M10																

3.1 REDUCERS/GEARED MOTORS

	P	M	N f8	O	G	I	S	T	W
HA32F/U	140	115	95	9 (n.4)	117,5	10	10	3	152
	120	100	80						
HA42F/U	160	130	110	9 (n.4)	124,5	10	10	3,5	152
	140	115	95						
HA52F/U	200	165	130	11 (n.4)	159	5,5	15	3,5	218
	160	130	110						
HA62F/U	250	215	180	14 (n.4)	168	15,5	15	4	218
	200	165	130						

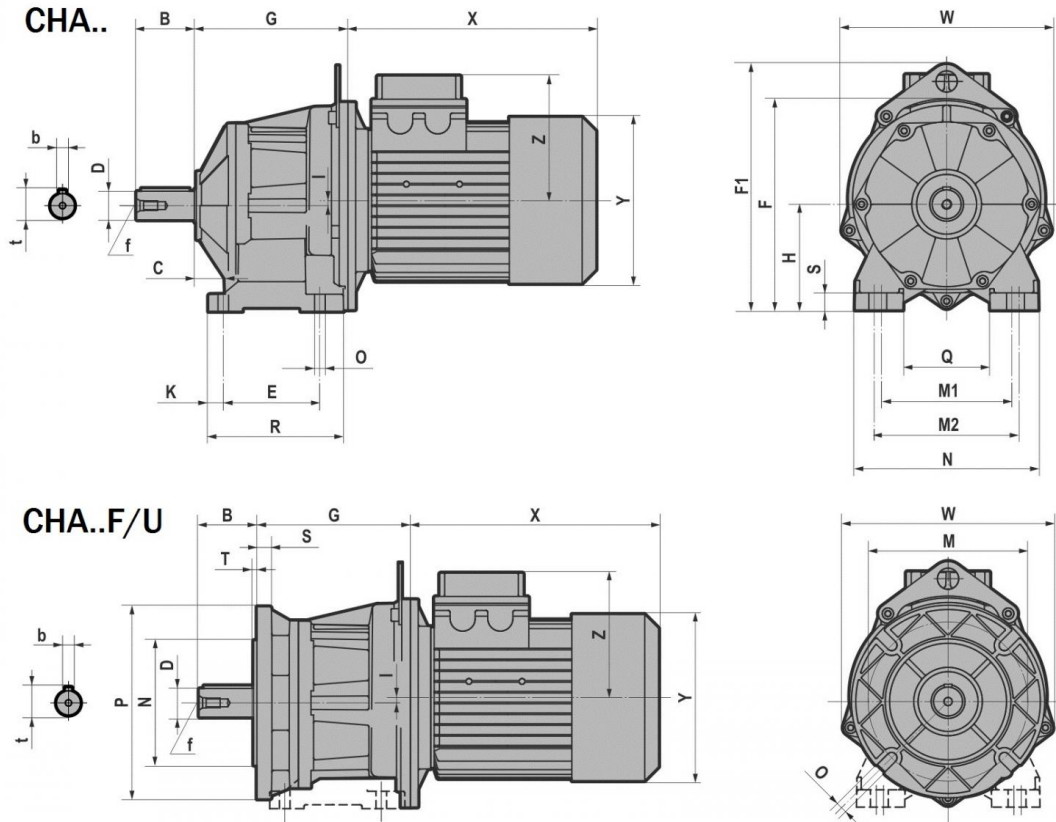
IEC	Pm x Dm	Pm x Dm	G2	
			HA32F/U - HA42F/U	HA52F/U - HA62F/U
063	140X11	090x11	55,0	/
071	160X14	105x14	55,0	/
080	200X19	120x19	86,0	87,5
090	200X24	140x24	86,0	87,5
100-112	250X28	160x28	/	87,5

B5	Pm	Dm	bm	tm
063	140	11	4	12,8
071	160	14	5	16,3
080	200	19	6	21,8
090	200	24	8	27,3
100	250	28	8	31,3
112	250	28	8	31,3

B14	Pm	Dm	bm	tm
071	105	14	5	16,3
080	120	19	6	21,8
090	140	24	8	27,3
100	160	28	8	31,3
112	160	28	8	31,3

3.1 REDUCERS/GEARED MOTORS

3.1.6 CHA.2



CHA../F/U	Dj6	B	b	t	f	C	E	F	F1	G	H	I	K	M1	M2	N	O	Q	R	S	W
CHA32	20	40	6	22,5	M6	18	80	155	/	117,5	75	10	13	110	120	145	9	75	111	15	152
	19	40	6	21,5	M6																
	16	40	5	18	M6																
	14	30	5	16	M6																
CHA42	25	50	8	28	M10	25	85	160	/	124,5	80	10	13	110	120	145	9	75	111	15	152
	28	60	8	31	M10																
	24	50	8	27	M8																
	22	50	6	24,5	M8																
	20	40	6	22,5	M6																
CHA52	19	40	6	21,5	M6	30	100	217,5	255,5	159	110	5,5	15,5	135	150	190	11	90	140	18	218
	30	60	8	33	M10																
	35	70	10	38	M12																
	32	60	10	35	M10																
	28	60	8	31	M10																
	25	50	8	28	M10																
CHA62	24	50	8	27	M8	35	110	237,5	275,5	168	120	15,5	20	170	185	230	14	120	150	20	218
	40	80	12	43	M16																
	35 k6	70	10	38	M12																
	30	60	8	33	M10																
	28	60	8	31	M10																

3.1 REDUCERS/GEARED MOTORS

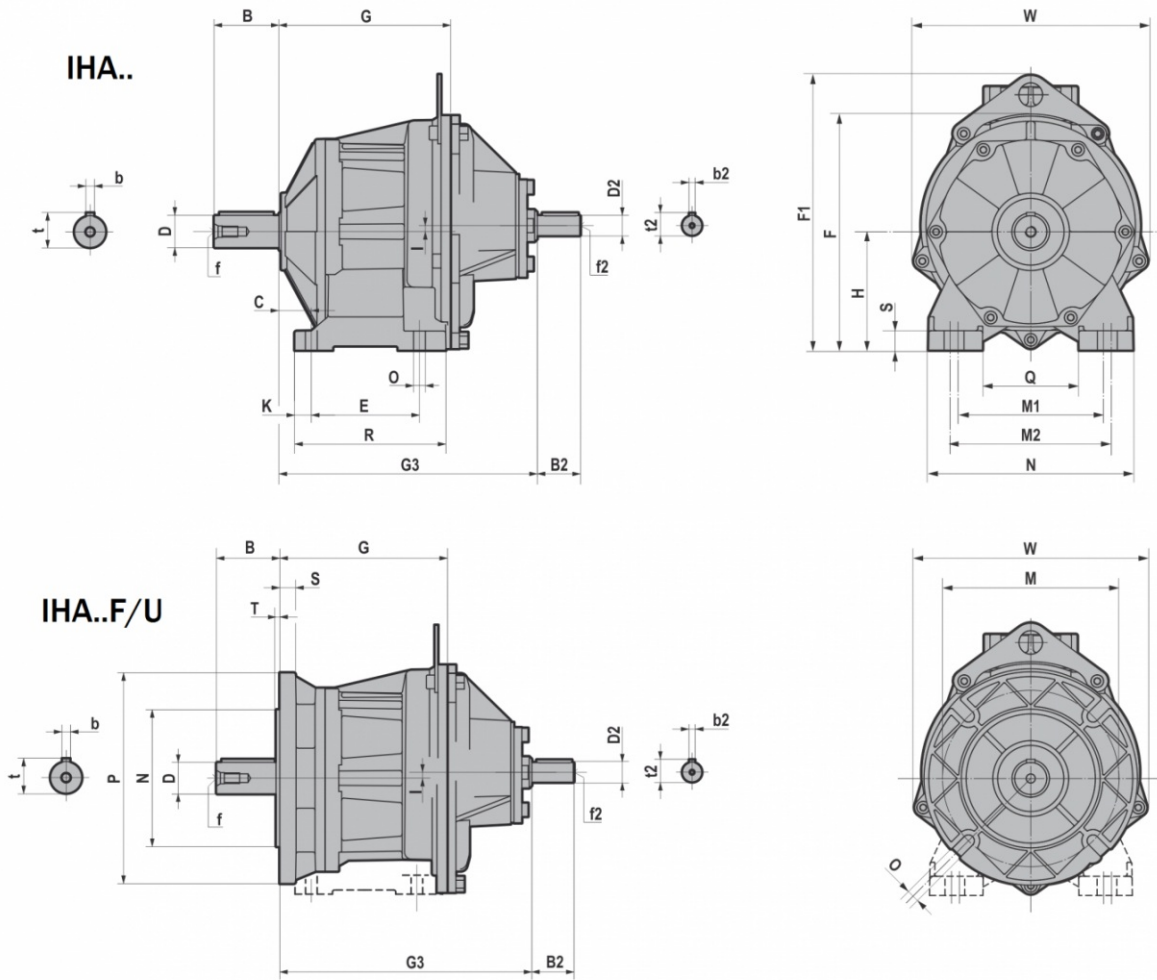
	P	M	N f8	O	G	I	S	T	W
CHA32F/U	140	115	95	9 (n.4)	117,5	10	10	3	152
	120	100	80						
CHA42F/U	160	130	110	9 (n.4)	124,5	10	10	3,5	152
	140	115	95						
CHA52F/U	200	165	130	11 (n.4)	159	5,5	15	3,5	218
	160	130	110						
CHA62F/U	250	215	180	14 (n.4)	168	15,5	15	4	218
	200	165	130						

		T (IE1 - IE2 - IE3)						
CHA..F/U		O63	O71	O80	O90S	O90L	100	112
CHA32 CHA42	X	180	205	223 *(246)	232 *(265)	257 *(290)	/	/
	Y	121	139	158	173	173	/	/
	Z	104	112	122	130	130	/	/
CHA52 CHA62	X	/	/	218 *(241)	232 *(265)	257 *(290)	290	302 *(326)
	Y	/	/	158	173	173	191	211
	Z	/	/	122	130	130	139	154

		TB (IE1 - IE2 - IE3)						
CHA..F/U		O63	O71	O80	O90S	O90L	100	112
CHA32 CHA42	X	238	271	294 *(317)	309 *(342)	334 *(367)	/	/
	Y	121	139	158	173	173	/	/
	Z	119	129	137	157	157	/	/
CHA52 CHA62	X	/	/	290 *(313)	309 *(342)	334 *(367)	372	400 *(424)
	Y	/	/	158	173	173	191	211
	Z	/	/	137	157	157	230	230

*TP80B4, TP90S4, TP90L4, TP90S6, TP112M4, TP112M6

3.1.7 IHA.2



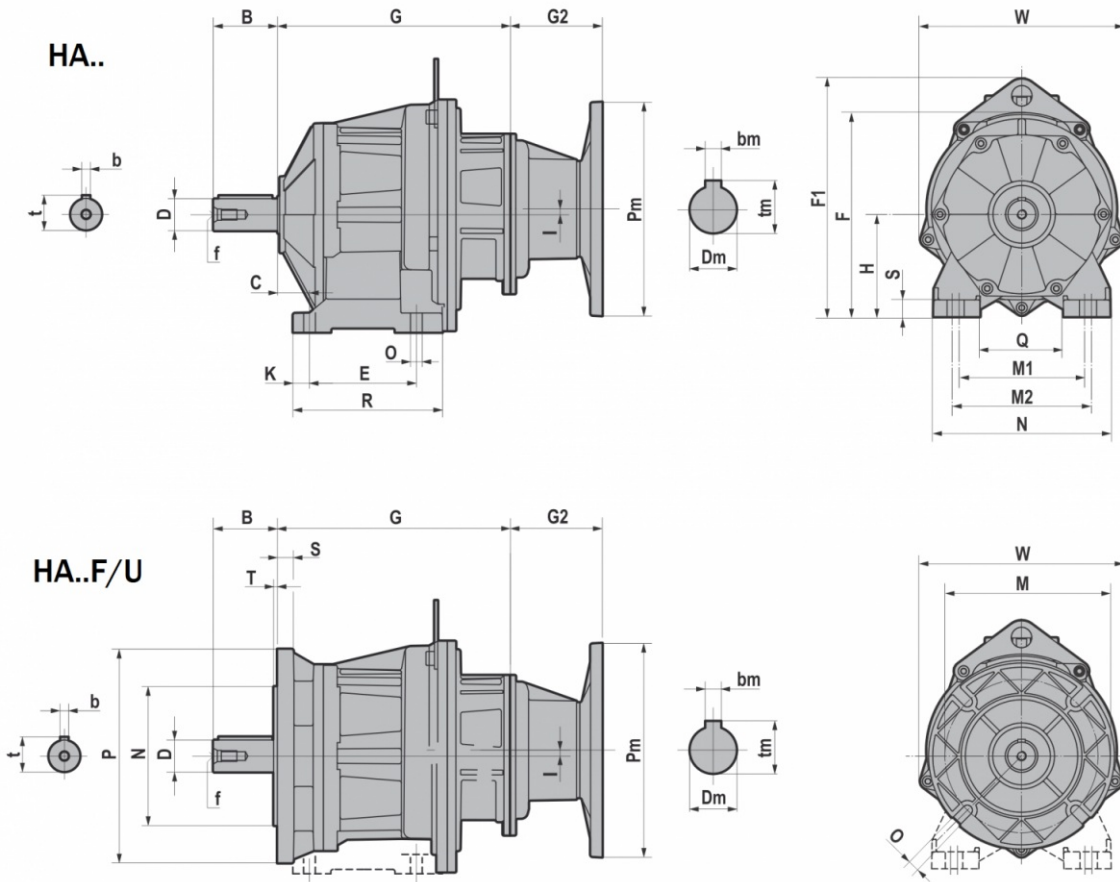
IHA../F/U	Dj6	B	b	t	f	C	E	F	F1	G	H	I	K	M1	M2	N	O	Q	R	S	W
IHA32	20	40	6	22,5	M6	18	80	155	/	117,5	75	10	13	110	120	145	9	75	111	15	152
	19	40	6	21,5	M6																
	16	40	5	18	M6																
	14	30	5	16	M6																
IHA42	25	50	8	28	M10	25	85	160	/	124,5	80	10	13	110	120	145	9	75	111	15	152
	28	60	8	31	M10																
	24	50	8	27	M8																
	22	50	6	24,5	M8																
	20	40	6	22,5	M6																
IHA52	19	40	6	21,5	M6	30	100	217,5	255,5	159	110	5,5	15,5	135	150	190	11	90	140	18	218
	30	60	8	33	M10																
	35	70	10	38	M12																
	32	60	10	35	M10																
	28	60	8	31	M10																
	25	50	8	28	M10																
IHA62	24	50	8	27	M8	35	110	237,5	275,5	168	120	15,5	20	170	185	230	14	120	150	20	218
	40	80	12	43	M16																
	35 k6	70	10	38	M12																
	30	60	8	33	M10																
	28	60	8	31	M10																

3.1 REDUCERS/GEARED MOTORS

	P	M	N f8	O	G	I	S	T	W
IHA32F/U	140	115	95	9 (n.4)	117,5	10	10	3	152
	120	100	80						
IHA42F/U	160	130	110	9 (n.4)	124,5	10	10	3,5	152
	140	115	95						
IHA52F/U	200	165	130	11 (n.4)	159	5,5	15	3,5	218
	160	130	110						
IHA62F/U	250	215	180	14 (n.4)	168	15,5	15	4	218
	200	165	130						

	G3	D2 j6	B2	b2	f2	t2
IHA32/F/U	198	16	40	5	M6	18
IHA42/F/U	205	16	40	5	M6	18
IHA52/F/U	239	19	40	6	M6	21,5
IHA62/F/U	248	19	40	6	M6	21,5

3.1.8 HA.3



HA..F/U	D j6	B	b	t	f	C	E	F	F1	G	H	I	K	M1	M2	N	O	Q	R	S	W
HA33	20	40	6	22,5	M6	18	80	155	/	117,5	75	10	13	110	120	145	9	75	111	15	152
	19	40	6	21,5	M6																
	16	40	5	18	M6																
	14	30	5	16	M6																
HA43	25	50	8	28	M10	25	85	160	/	124,5	80	10	13	110	120	145	9	75	111	15	152
	28	60	8	31	M10																
	24	50	8	27	M8																
	22	50	6	24,5	M8																
	20	40	6	22,5	M6																
HA53	19	40	6	21,5	M6	30	100	217,5	255,5	159	110	5,5	15,5	135	150	190	11	90	140	18	218
	30	60	8	33	M10																
	35	70	10	38	M12																
	32	60	10	35	M10																
	28	60	8	31	M10																
	25	50	8	28	M10																
HA63	24	50	8	27	M8	35	110	237,5	275,5	168	120	15,5	20	170	185	230	14	120	150	20	218
	40	80	12	43	M16																
	35 k6	70	10	38	M12																
	30	60	8	33	M10																
	28	60	8	31	M10																

3.1 REDUCERS/GEARED MOTORS

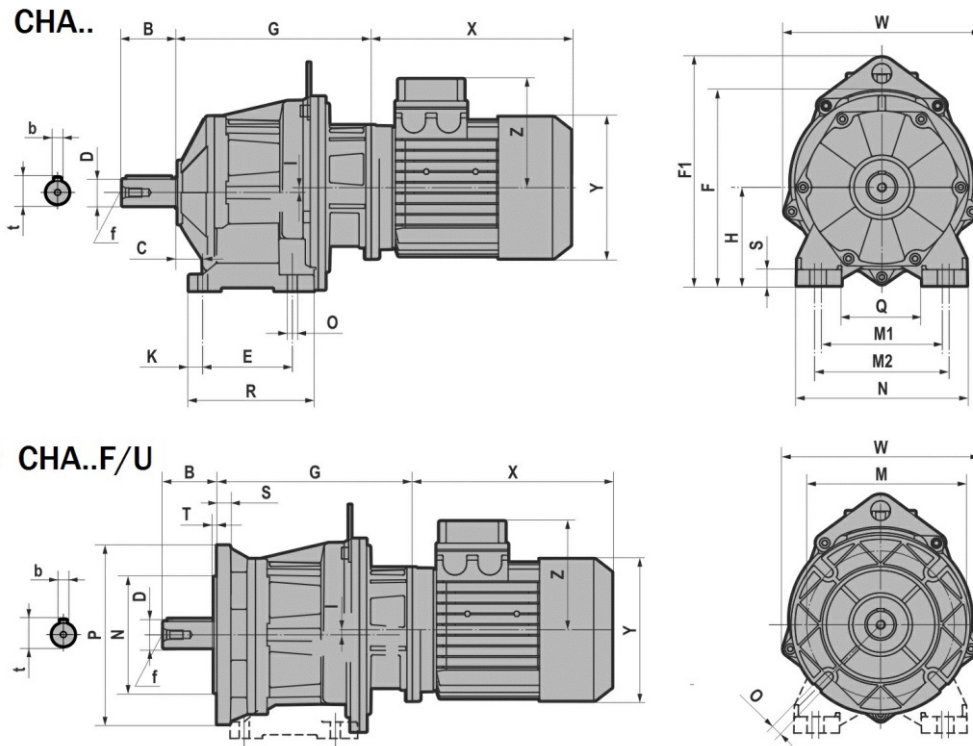
	P	M	N f8	O	G	I	S	T	W
HA33F/U	140	115	95	9 (n.4)	117,5	10	10	3	152
	120	100	80						
HA43F/U	160	130	110	9 (n.4)	124,5	10	10	3,5	152
	140	115	95						
HA53F/U	200	165	130	11 (n.4)	159	5,5	15	3,5	218
	160	130	110						
HA63F/U	250	215	180	14 (n.4)	168	15,5	15	4	218
	200	165	130						

			G2
IEC	Pm x Dm	Pm x Dm	HA33/F/U - HA43/F/U - HA53/F/U - HA63/F/U
063	140X11	090x11	55
071	160X14	105x14	55
080	200X19	120x19	86
090	200X24	140x24	86

B5	Pm	Dm	bm	tm
063	140	11	4	12,8
071	160	14	5	16,3
080	200	19	6	21,8
090	200	24	8	27,3

B14	Pm	Dm	bm	tm
071	105	14	5	16,3
080	120	19	6	21,8
090	140	24	8	27,3

3.1.9 CHA.3



CHA..F/U	D j6	B	b	t	f	C	E	F	F1	G	H	I	K	M1	M2	N	O	Q	R	S	W
CHA33	20	40	6	22,5	M6	18	80	155	/	117,5	75	10	13	110	120	145	9	75	111	15	152
	19	40	6	21,5	M6																
	16	40	5	18	M6																
	14	30	5	16	M6																
CHA43	25	50	8	28	M10	25	85	160	/	124,5	80	10	13	110	120	145	9	75	111	15	152
	28	60	8	31	M10																
	24	50	8	27	M8																
	22	50	6	24,5	M8																
	20	40	6	22,5	M6																
CHA53	19	40	6	21,5	M6	30	100	217,5	255,5	159	110	5,5	15,5	135	150	190	11	90	140	18	218
	30	60	8	33	M10																
	35	70	10	38	M12																
	32	60	10	35	M10																
	28	60	8	31	M10																
	25	50	8	28	M10																
CHA63	24	50	8	27	M8	35	110	237,5	275,5	168	120	15,5	20	170	185	230	14	120	150	20	218
	40	80	12	43	M16																
	35 k6	70	10	38	M12																
	30	60	8	33	M10																
	28	60	8	31	M10																

3.1 REDUCERS/GEARED MOTORS

	P	M	N f8	O	G	I	S	T	W
CHA33F/U	140	115	95	9 (n.4)	117,5	10	10	3	152
	120	100	80						
CHA43F/U	160	130	110	9 (n.4)	124,5	10	10	3,5	152
	140	115	95						
CHA53F/U	200	165	130	11 (n.4)	159	5,5	15	3,5	218
	160	130	110						
CHA63F/U	250	215	180	14 (n.4)	168	15,5	15	4	218
	200	165	130						

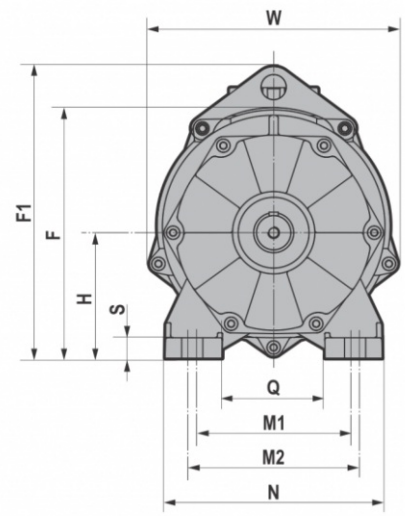
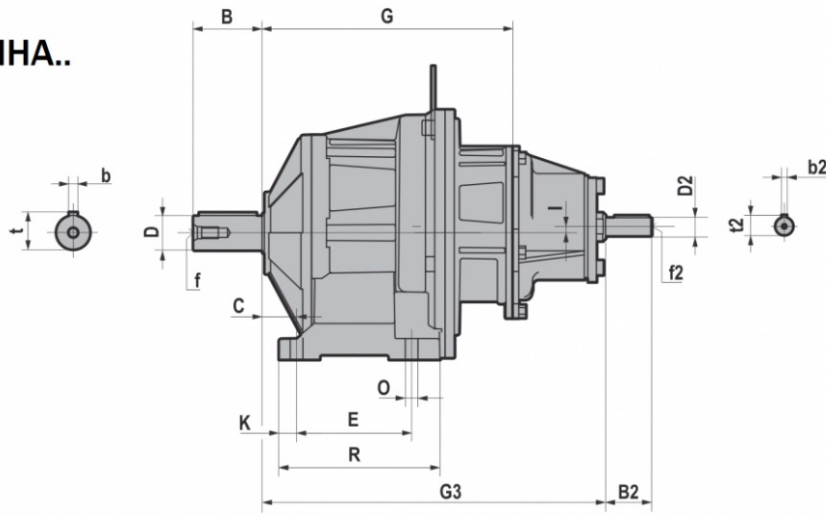
T (IE1 - IE2 - IE3)						
CHA..F/U		O63	O71	O80	O90S	O90L
CHA33 CHA43 CHA53 CHA63	X	180	205	223 *(246)	232 *(265)	257 *(290)
	Y	121	139	158	173	173
	Z	104	112	122	130	130

TB (IE1 - IE2 - IE3)						
CHA..F/U		O63	O71	O80	O90S	O90L
CHA33 CHA43 CHA53 CHA63	X	238	271	294 *(317)	309 *(342)	334 *(367)
	Y	121	139	158	173	173
	Z	119	129	137	157	157

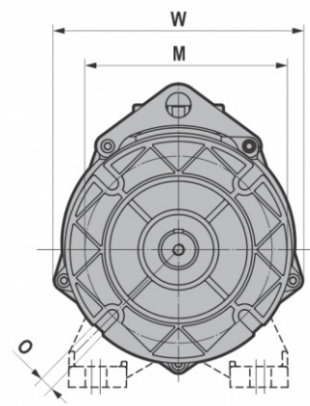
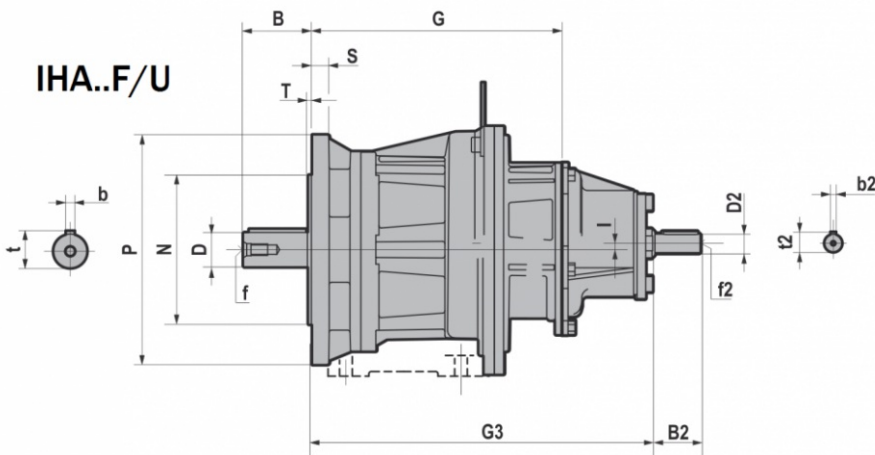
*TP80B4, TP90S4, TP90L4, TP90S6, TP112M4, TP112M6

3.1.10 IHA.3

IHA..



IHA..F/U



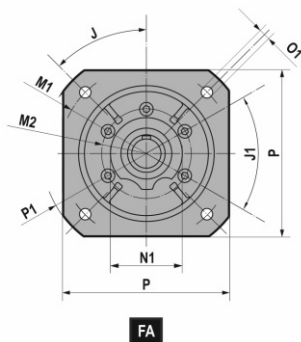
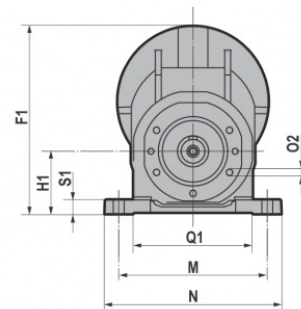
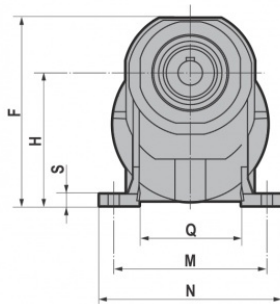
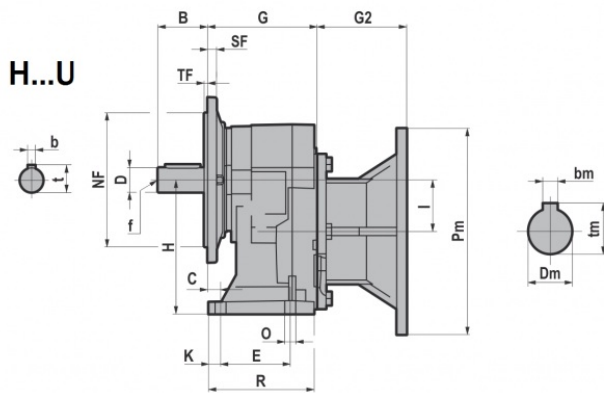
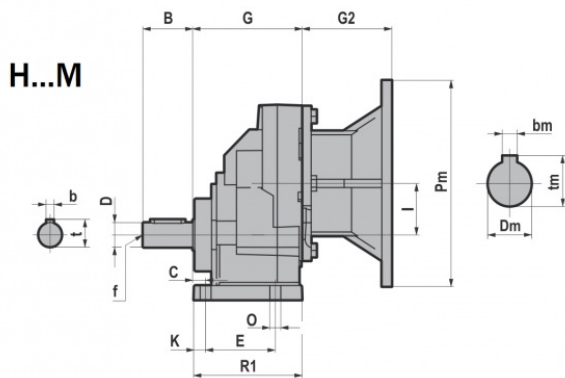
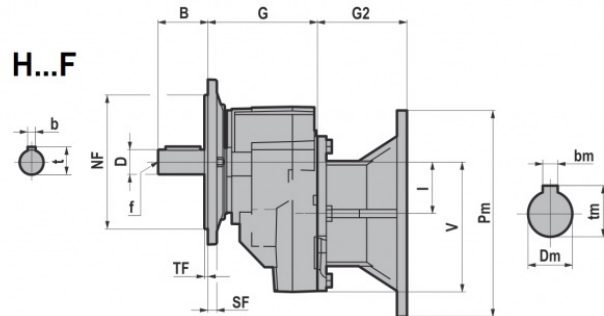
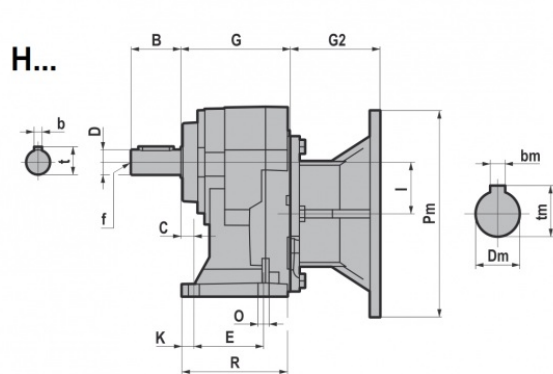
3.1 REDUCERS/GEARED MOTORS

IHA..F/U	D j6	B	b	t	f	C	E	F	F1	G	H	I	K	M1	M2	N	O	Q	R	S	W
IHA33	20	40	6	22,5	M6	18	80	155	/	117,5	75	10	13	110	120	145	9	75	111	15	152
	19	40	6	21,5	M6																
	16	40	5	18	M6																
	14	30	5	16	M6																
IHA43	25	50	8	28	M10	25	85	160	/	124,5	80	10	13	110	120	145	9	75	111	15	152
	28	60	8	31	M10																
	24	50	8	27	M8																
	22	50	6	24,5	M8																
	20	40	6	22,5	M6																
	19	40	6	21,5	M6																
IHA53	30	60	8	33	M10	30	100	217,5	255,5	159	110	5,5	15,5	135	150	190	11	90	140	18	218
	35	70	10	38	M12																
	32	60	10	35	M10																
	28	60	8	31	M10																
	25	50	8	28	M10																
	24	50	8	27	M8																
IHA63	40	80	12	43	M16	35	110	237,5	275,5	168	120	15,5	20	170	185	230	14	120	150	20	218
	35 k6	70	10	38	M12																
	30	60	8	33	M10																
	28	60	8	31	M10																

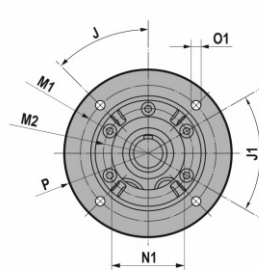
	P	M	N f8	O	G	I	S	T	W
IHA33F/U	140	115	95	9 (n.4)	117,5	10	10	3	152
	120	100	80						
IHA43F/U	160	130	110	9 (n.4)	124,5	10	10	3,5	152
	140	115	95						
IHA53F/U	200	165	130	11 (n.4)	159	5,5	15	3,5	218
	160	130	110						
IHA63F/U	250	215	180	14 (n.4)	168	15,5	15	4	218
	200	165	130						

	G3	D2 j6	B2	b2	f2	t2
IHA33	251	16	40	5	M6	18
IHA43	258	16	40	5	M6	18
IHA53	299	16	40	5	M6	18
IHA63	308	16	40	5	M6	18

3.1.11 HR.1



FA



FB

FC

FD

3.1 REDUCERS/GEARED MOTORS

HR.../F/U/M	D	B	C	E	F	F1	G	H	H1	I	K	M	N	O	O2	Q	Q1	R	R1	S	S1	-V	b	t	f
HR041	19 j6	40	13	45	168,5	168	100	120	50	42	12	105	130 125 (O41M)	9	M8x17 (n.5)	74	55	86,5	98	9,5	8	118	6	21,5	M6
HR051	24 j6	50	13	70	183,5	189	110	130	63	50	12	150	178	11	M8x17 (n.5)	100	121,5	106	109	11,5	14	126	8	27	M8
HR061	28 j6	60	16	70	231	216	125	165	80	60	14	165	195	11	M8x17 (n.5)	110	135,5	120	123	15	16	136	8	31	M10
HR081	38 k6	80	25	85	277	284	135	195	100	80	23	185	230 232 (O81M)	14	M10x20 (n.7)	123	151	130	135	15	20	184	10	41	M12
HR101	48 k6	110	19	130	355	377	180	252	125	100	17	240	295	18	M10x20 (n.6)	162	185,5	173	178	16	22	251,5	14	51,5	M16
HR121	55 m6	110	25	150	422	426,5	210	300	160	115	22	280	340	18	M12x25 (n.7)	183	224	202	207	19	25	266,5	16	59	M20

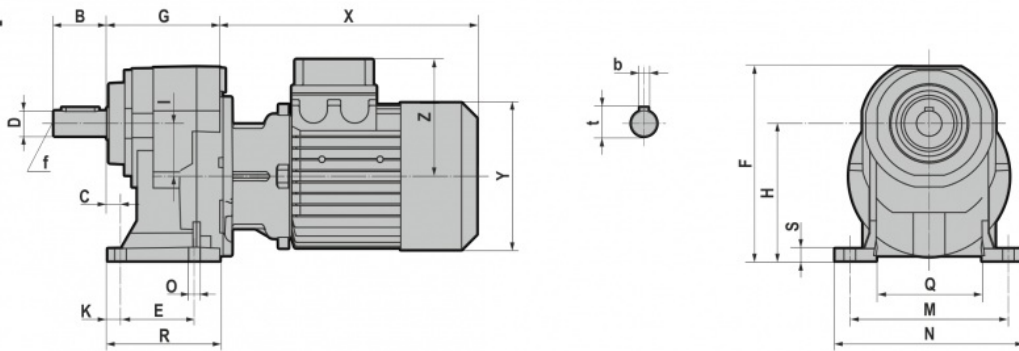
		J	J1	M1	M2	NF f8	N1	O1	P	P1	SF	TF
HR041F/U HR051F/U	FA	45°	45°	Ø165	Ø85	130	70	11 (n.4)	160	Ø200	9	3,5
	FB			Ø130	Ø85	110		9 (n.4)	Ø160	/	9	3,5
	FC			Ø115	Ø85	95		9 (n.4)	Ø140	/	9	3
	FD			Ø100	Ø85	80		M8 (n.4)	Ø120	/	9	3
HR061F/U	FA	45°	45°	Ø215	Ø105	180	90	14 (n.4)	200	Ø250	12	4
	FB			Ø165	Ø105	130		11 (n.4)	Ø200	/	12	3,5
HR081F/U HR101F/U	FA	45°	45°	Ø265	Ø130	230	110	14 (n.4)	250	Ø300	15	4
	FB			Ø215	Ø130	180		14 (n.4)	Ø250	/	15	4
	FC			Ø165	Ø130	130		11 (n.4)	Ø200	/	15	3,5
HR121F/U	FA	45°	45°	Ø300	Ø165	250	130	18 (n.4)	300	Ø350	16	5
	FB			Ø265	Ø165	230		14 (n.4)	Ø300	/	16	4
	FC			Ø 215	Ø165	180		14 (n.4)	Ø250	/	16	4

		G2					
IEC	Pm x Dm	HR041F/U/M	HR051F/U/M	HR061F/U/M	HR081F/U/M	HR101F/U/M	HR121F/U/M
071	160x14	69,0	69,0	/	/	/	/
080	200x19	90,0	90,0	90,0	70,0	/	/
090	200x24	90,0	90,0	90,0	70,0	/	/
100-112	250x28	/	105,0	105,0	85,0	75,5	/
132	300x38	/	/	/	110,0	100,5	100,5
160	350x42	/	/	/	/	148,0	148,0
180	350x48	/	/	/	/	148,0	148,0
200	400x55	/	/	/	/	/	185,0

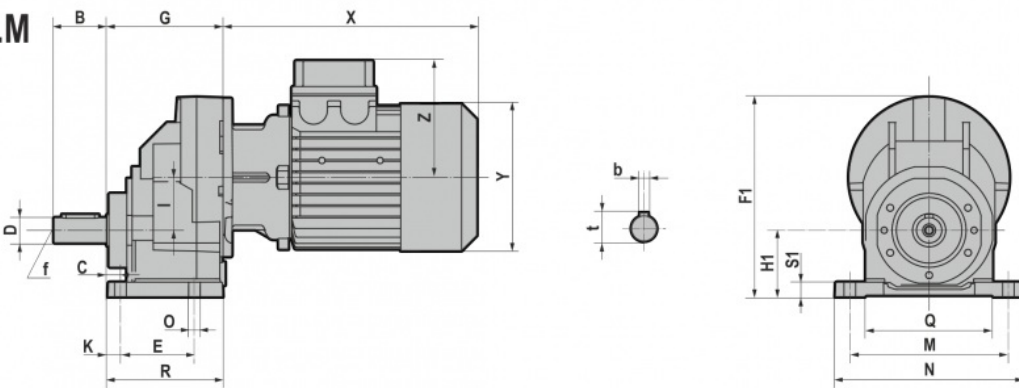
B5	Pm	Dm	bm	tm
071	160	14	5	16,3
080	200	19	6	21,8
090	200	24	8	27,3
100	250	28	8	31,3
112	250	28	8	31,3
132	300	38	10	41,3
160	350	42	12	45,3
180	350	48	14	51,8
200	400	55	16	59,3

3.1.12 CHR..1

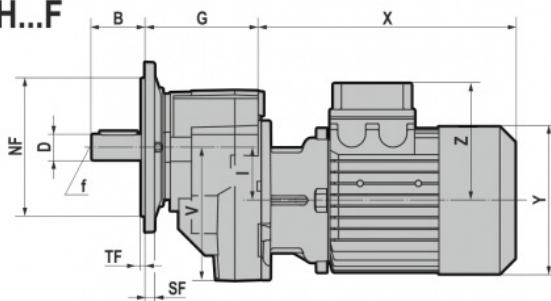
CH...



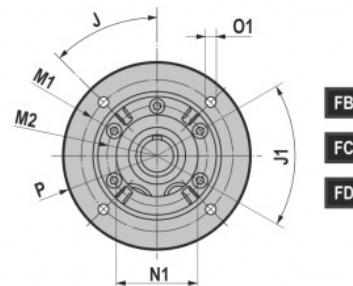
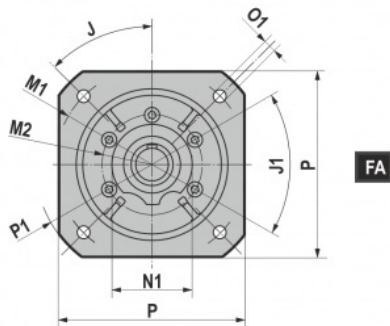
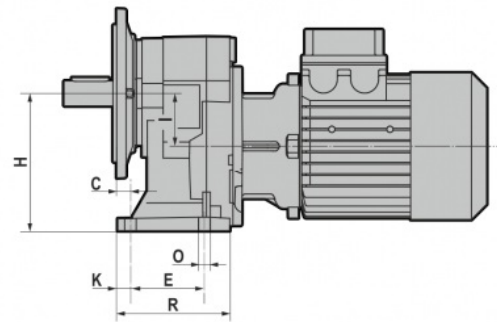
CH...M



CH...F



CH...U



3.1 REDUCERS/GEARED MOTORS

CHR.../F/U/M	D	B	C	E	F	F1	G	H	H1	I	K	M	N	O	O2	Q	Q1	R	R1	S	S1	-V	b	t	f
CHR041	19 j6	40	13	45	168,5	168	100	120	50	42	12	105	130 125 (041M)	9	M8x17 (n.5)	74	55	86,5	98	9,5	8	118	6	21,5	M6
CHR051	24 j6	50	13	70	183,5	189	110	130	63	50	12	150	178	11	M8x17 (n.5)	100	121,5	106	109	11,5	14	126	8	27	M8
CHR061	28 j6	60	16	70	231	216	125	165	80	60	14	165	195	11	M8x17 (n.5)	110	135,5	120	123	15	16	136	8	31	M10
CHR081	38 k6	80	25	85	277	284	135	195	100	80	23	185	230 232 (081M)	14	M10x20 (n.7)	123	151	130	135	15	20	184	10	41	M12
CHR101	48 k6	110	19	130	355	377	180	252	125	100	17	240	295	18	M10x20 (n.6)	162	185,5	173	178	16	22	251,5	14	51,5	M16
CHR121	55 m6	110	25	150	422	426,5	210	300	160	115	22	280	340	18	M12x25 (n.7)	183	224	202	207	19	25	266,5	16	59	M20

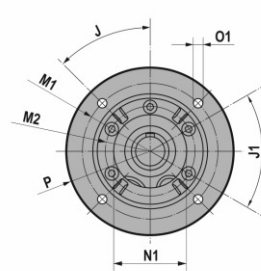
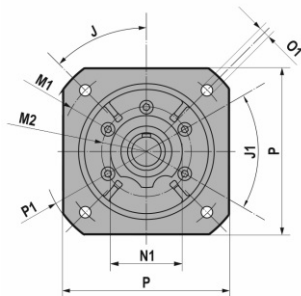
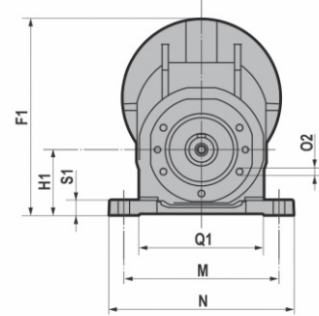
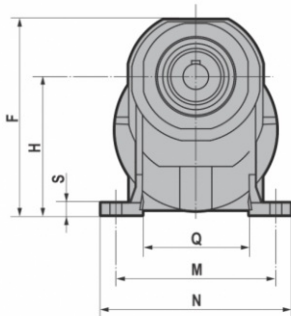
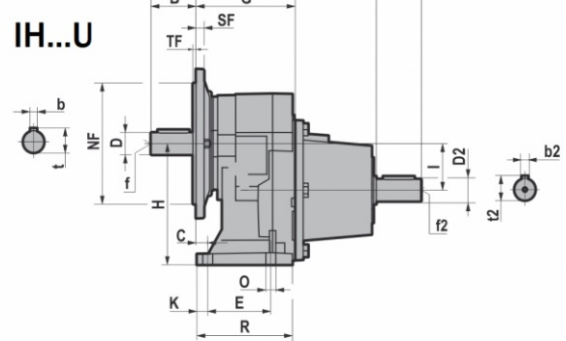
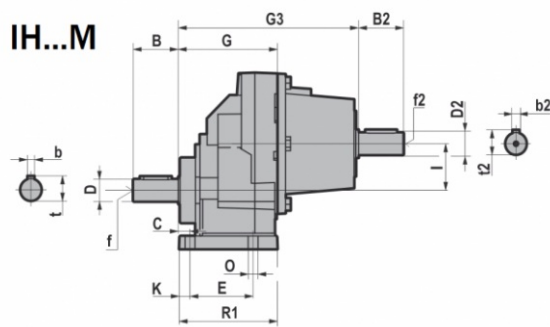
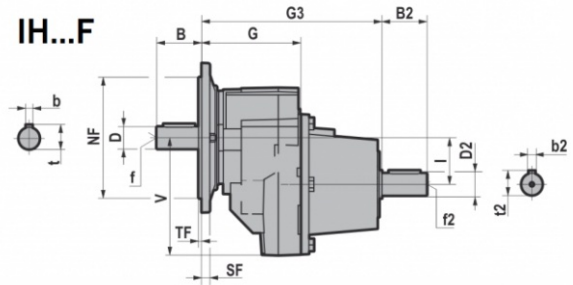
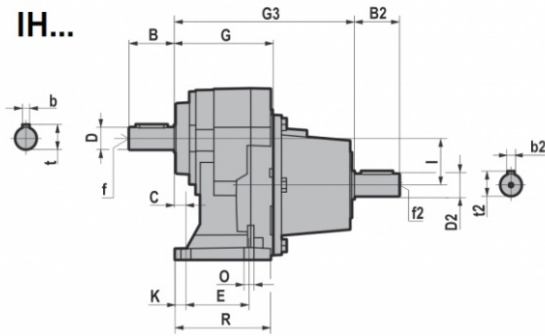
		J	J1	M1	M2	NF f8	N1	O1	P	P1	SF	TF
CHR041F/U CHR051F/U	FA	45°	45°	Ø165	Ø85	130	70	11 (n.4)	160	Ø200	9	3,5
	FB			Ø130	Ø85	110		9 (n.4)	Ø160	/	9	3,5
	FC			Ø115	Ø85	95		9 (n.4)	Ø140	/	9	3
	FD			Ø100	Ø85	80		M8 (n.4)	Ø120	/	9	3
CHR061F/U	FA	45°	45°	Ø215	Ø105	180	90	14 (n.4)	200	Ø250	12	4
	FB			Ø165	Ø105	130		11 (n.4)	Ø200	/	12	3,5
CHR081F/U CHR101F/U	FA	45°	45°	Ø265	Ø130	230	110	14 (n.4)	250	Ø300	15	4
	FB			Ø215	Ø130	180		14 (n.4)	Ø250	/	15	4
	FC			Ø165	Ø130	130		11 (n.4)	Ø200	/	15	3,5
CHR121F/U	FA	45°	45°	Ø300	Ø165	250	130	18 (n.4)	300	Ø350	16	5
	FB			Ø265	Ø165	230		14 (n.4)	Ø300	/	16	4
	FC			Ø 215	Ø165	180		14 (n.4)	Ø250	/	16	4

T (IE1 - IE2 - IE3)										
CHR.../F/U/M	063	071	080	090S	090L	100	112	132S	132M/L	
CHR041 CHR051 CHR061	X	215	241	268 *(291)	296 *(329)	321 *(354)	333	351 *(375)	/	/
	Y	121	139	158	173	173	191	211	/	/
	Z	104	112	122	130	130	139	154	/	/
CHR081	X	/	221	248 *(271)	276 *(309)	301 *(334)	335	356 *(380)	405	443
	Y	/	139	158	173	173	191	211	249	249
	Z	/	112	122	130	130	139	154	194	194
CHR101 CHR121	X	/	/	/	267 *(300)	292 *(325)	326	347 *(371)	396	434
	Y	/	/	/	173	173	191	211	249	249
	Z	/	/	/	130	130	139	154	194	194

TB (IE1 - IE2 - IE3)										
CHR.../F/U/M	063	071	080	090S	090L	100	112	132S	132M/L	
CHR041 CHR051 CHR061	X	273	306.5	341 *(364)	373 *(406)	398 *(431)	415	448 *(472)	/	/
	Y	121	139	158	173	173	191	211	/	/
	Z	119	129	137	157	157	168	183	/	/
CHR081	X	/	286.5	321 *(344)	353 *(386)	378 *(411)	417	453 *(477)	505	547
	Y	/	139	158	173	173	191	211	249	249
	Z	/	129	137	157	157	168	183	230	230
CHR101 CHR121	X	/	/	/	343 *(376)	368 *(401)	407	443 *(467)	495	537
	Y	/	/	/	173	173	191	211	249	249
	Z	/	/	/	157	157	168	183	230	230

*TP80B4,TP90S4, TP90L4, TP90S6, TP112M4, TP112M6

3.1.13 IHR..1



FA

FB

FC

FD

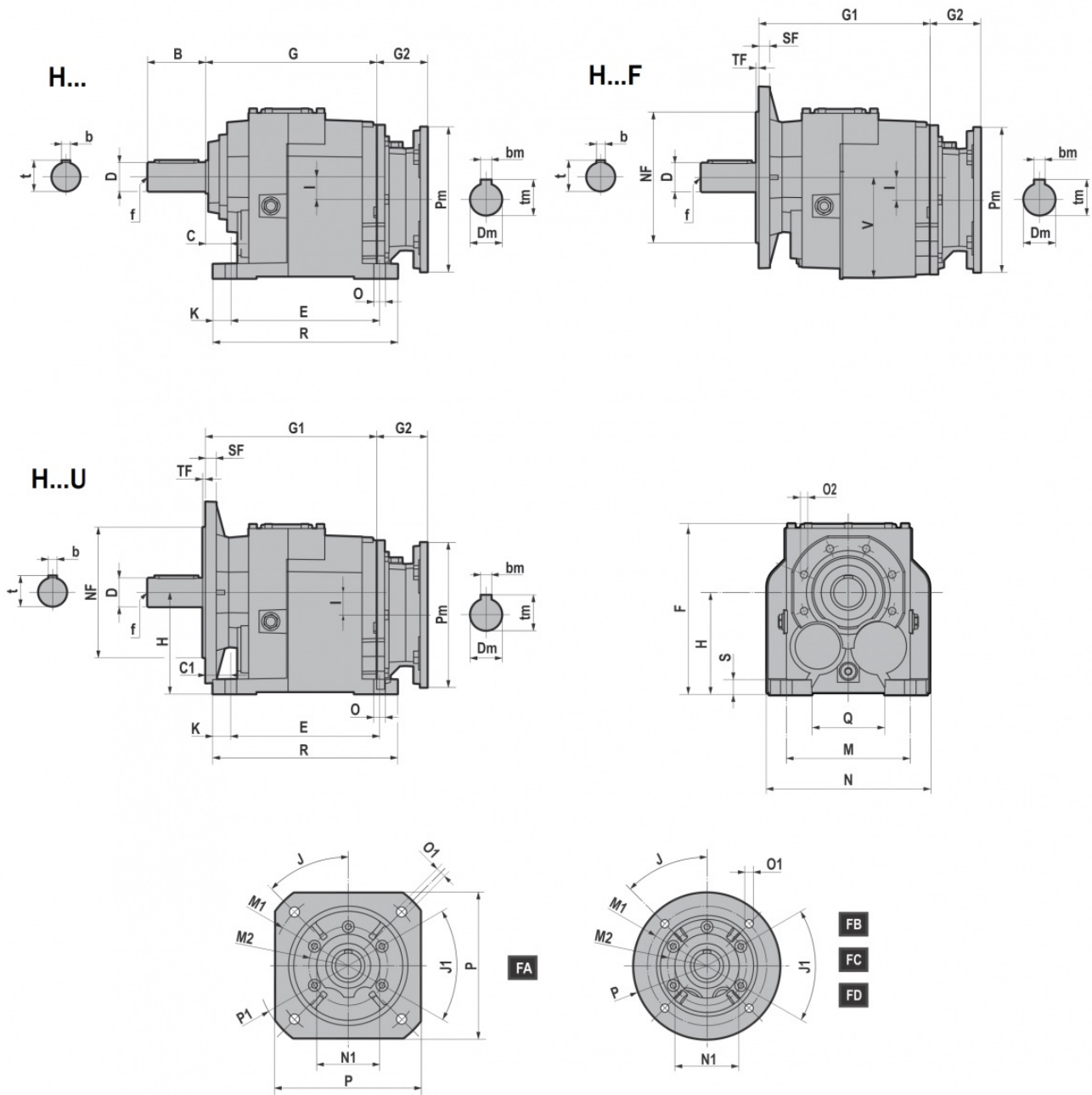
3.1 REDUCERS/GEARED MOTORS

IHR.../F/U/M	D	B	C	E	F	Fl	G	H	H1	I	K	M	N	O	O2	Q	Q1	R	R1	S	St	-V	b	t	f
IHR041	19 j6	40	13	45	168,5	168	100	120	50	42	12	105	130 125 (041M)	9	M8x17 (n.5)	74	55	86,5	98	9,5	8	118	6	21,5	M6
IHR051	24 j6	50	13	70	183,5	189	110	130	63	50	12	150	178	11	M8x17 (n.5)	100	121,5	106	109	11,5	14	126	8	27	M8
IHR061	28 j6	60	16	70	231	216	125	165	80	60	14	165	195	11	M8x17 (n.5)	110	135,5	120	123	15	16	136	8	31	M10
IHR081	38 k6	80	25	85	277	284	135	195	100	80	23	185	230 232 (081M)	14	M10x20 (n.7)	123	151	130	135	15	20	184	10	41	M12
IHR101	48 k6	110	19	130	355	377	180	252	125	100	17	240	295	18	M10x20 (n.6)	162	185,5	173	178	16	22	251,5	14	51,5	M16
IHR121	55 m6	110	25	150	422	426,5	210	300	160	115	22	280	340	18	M12x25 (n.7)	183	224	202	207	19	25	266,5	16	59	M20

		J	J1	M1	M2	NF f8	N1	O1	P	P1	SF	TF
IHR041F/U IHR051F/U	FA	45°	45°	Ø165	Ø85	130	70	11 (n.4)	160	Ø200	9	3,5
	FB			Ø130	Ø85	110		9 (n.4)	Ø160	/	9	3,5
	FC			Ø115	Ø85	95		9 (n.4)	Ø140	/	9	3
	FD			Ø100	Ø85	80		M8 (n.4)	Ø120	/	9	3
IHR061F/U	FA	45°	45°	Ø215	Ø105	180	90	14 (n.4)	200	Ø250	12	4
	FB			Ø165	Ø105	130		11 (n.4)	Ø200	/	12	3,5
IHR081F/U IHR101F/U	FA	45°	45°	Ø265	Ø130	230	110	14 (n.4)	250	Ø300	15	4
	FB			Ø215	Ø130	180		14 (n.4)	Ø250	/	15	4
	FC			Ø165	Ø130	130		11 (n.4)	Ø200	/	15	3,5
IHR121F/U	FA	45°	45°	Ø300	Ø165	250	130	18 (n.4)	300	Ø350	16	5
	FB			Ø265	Ø165	230		14 (n.4)	Ø300	/	16	4
	FC			Ø 215	Ø165	180		14 (n.4)	Ø250	/	16	4

	G3	B2	D2	b2	t2	f2
IHR041	190	40	16 j6	5	18	M6
IHR051	200	50	24 j6	8	27	M8
IHR061	215	50	24 j6	8	27	M8
IHR081	248	60	28 j6	8	31	M10
IHR101	306,5	80	38 k6	10	41	M12
IHR121	336,5	80	38 k6	10	41	M12

3.1.14 H..2/3



H.../F/U	D	B	b	t	f	C	C1	E	F	G	G1	H	I	K	M	N	O	O2	Q	R	S	-V
H032/H033	25 j6	50	8	28	M10	25	34	130	169	141	150	90	9,2	15	110	140	11	M8x17 (n.5)	60	160	15	92
H042/H043	30 j6	60	8	33	M10	30	30	165	189	152	152	115	18	15	135	170	14	M8x17 (n.5)	85	195	15	115
H052/H053	35 k6	70	10	38	M12	30	30	165	192	187	187	115	25,5	18	135	185	14	M8x17 (n.5)	80	201	18	116
H062/H063	40 k6	80	12	43	M16	35	35	205	234	236	236	140	31	25	170	220	16	M10x20 (n.6)	100	255	20	140
	35 k6	70	10	38	M12				234	236	140	31	25	170	220	16	M10x20 (n.6)	100	255	20	140	
H082/H083	50 k6	100	14	53,5	M16	40	40	260	292	272,5	272,5	180	31	27,5	215	280	18	M12x25 (n.7)	140	315	25	180
	40 k6	80	12	43	M16				292	272,5	180	31	27,5	215	280	18	M12x25 (n.7)	140	315	25	180	
H102/H103	60 m6	120	18	64	M20	40	40	310	364	316	316	225	35,5	27,5	250	330	22	M14x28 (n.7)	159	365	30	227
H122/H123	70 m6	140	20	74,5	M20	45	45	370	408	376,5	376,5	250	47,5	35	290	406	26	M14x30 (n.7)	185,5	440	35	253
H142/H143	90 m6	170	25	95	M20	50	50	410	498	430	430	315	45	40	340	450	26	M16x32 (n.7)	230	490	35	320

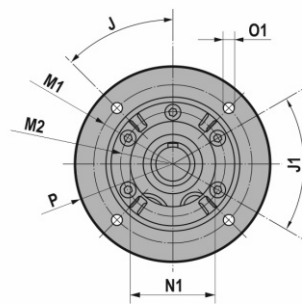
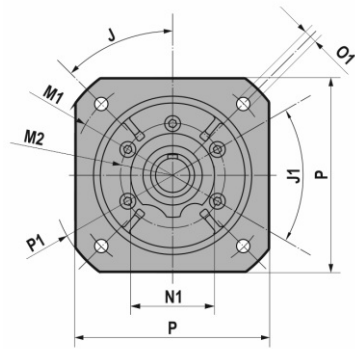
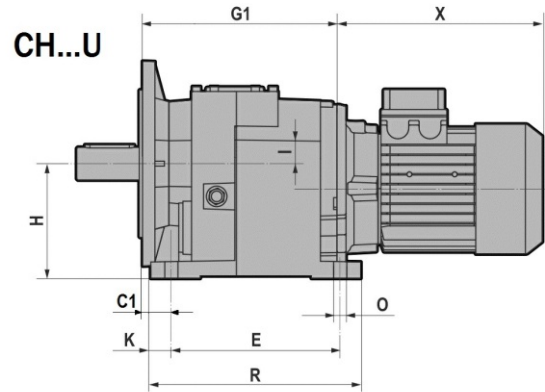
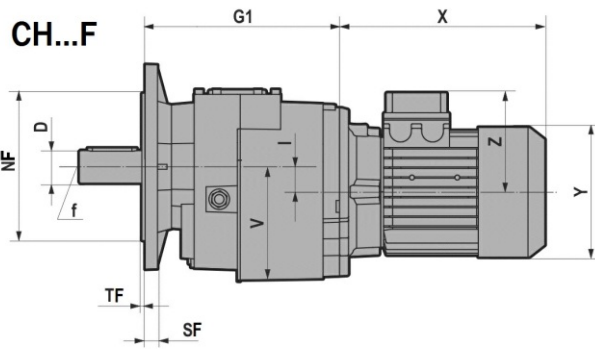
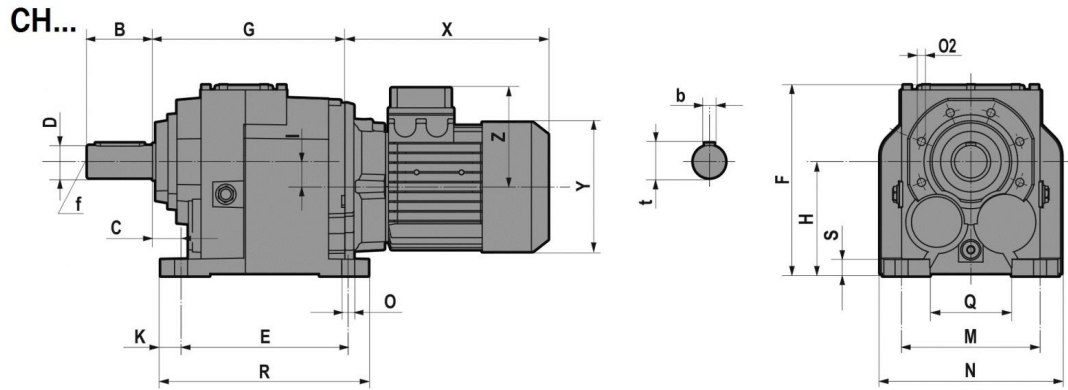
3.1 REDUCERS/GEARED MOTORS

....F/U		J	J1	M1	M2	NF f8	N1	O1	P	P1	SF	TF
H032/H033 H042/H043	FA	45°	45°	Ø165	Ø85	130	70	11 (n.4)	160	Ø200	9	3,5
	FB			Ø130	Ø85	110		9 (n.4)	Ø160	/	9	3,5
	FC			Ø115	Ø85	95		9 (n.4)	Ø140	/	9	3
	FD			Ø100	Ø85	80		M8 (n.4)	Ø120	/	9	3
H052/H053	FA	45°	45°	Ø215	Ø105	180	90	14 (n.4)	200	Ø250	12	4
	FB			Ø165	Ø105	130		11 (n.4)	Ø200	/	12	3,5
H062/H063	FA	45°	45°	Ø265	Ø130	230	110	14 (n.4)	250	Ø300	15	4
	FB			Ø215	Ø130	180		14 (n.4)	Ø250	/	15	4
	FC			Ø165	Ø130	130		11 (n.4)	Ø200	/	15	3,5
H082/H083	FA	45°	45°	Ø300	Ø165	250	130	18 (n.4)	300	Ø350	16	5
	FB			Ø265	Ø165	230		14 (n.4)	Ø300	/	16	4
	FC			Ø215	Ø165	180		14 (n.4)	Ø250	/	16	4
H102/H103	FA	45°	45°	Ø350	Ø185	300	150	18 (n.4)	350	Ø400	18	5
	FB			Ø300	Ø185	250		18 (n.4)	Ø350	/	18	5
	FC			Ø265	Ø185	230		14 (n.4)	Ø300	/	18	4
H122/H123	FB	45°	45°	Ø350	Ø200	300	170	18 (n.4)	Ø400	/	18	5
H142/H143	FB	22°30'	45°	Ø400	Ø245	350	210	18 (n.8)	Ø450	/	25	5
	FC	45°		Ø350	Ø245	300		18 (n.4)	Ø400	/	25	5

IEC	Pm x Dm	G2 H.../F/U					
		H032/H033 H042/H043 H052/H053	H062/H063	H082/H083	H102/H103	H122/H123	H142/H143
063	140x11	57,0	/	/	/	/	/
071	160x14	69,0	49,0	/	/	/	/
080	200x19	90,0	70,0	70,0	/	/	/
090	200x24	90,0	70,0	70,0	60,5	/	/
100-112	250x28	105,0	85,0	85,0	75,5	75,5	/
132	300x38	/	110,0	110,0	100,5	100,5	76,0
160	350x42	/	/	157,5	148,0	148,0	123,5
180	350x48	/	/	/	148,0	148,0	123,5
200	400x55	/	/	/	185,0	185,0	160,5
225	450x60	/	/	/	/	/	160,5

B5	Pm	Dm	bm	tm
063	140	11	4	12,8
071	160	14	5	16,3
080	200	19	6	21,8
090	200	24	8	27,3
100	250	28	8	31,3
112	250	28	8	31,3
132	300	38	10	41,3
160	350	42	12	45,3
180	350	48	14	51,8
200	400	55	16	59,3
225	450	60	18	64,4

3.1.15 CH..2/3



- FC
- FD

3.1 REDUCERS/GEARED MOTORS

CH.../F/U	D	B	b	t	f	C	C1	E	F	G	G1	H	I	K	M	N	O	O2	Q	R	S	-V
CH032/CH033	25 j6	50	8	28	M10	25	34	130	169	141	150	90	9,2	15	110	140	11	M8x17 (n.5)	60	160	15	92
CH042/CH043	30 j6	60	8	33	M10	30	30	165	189	152	152	115	18	15	135	170	14	M8x17 (n.5)	85	195	15	115
CH052/CH053	35 k6	70	10	38	M12	30	30	165	192	187	187	115	25,5	18	135	185	14	M8x17 (n.5)	80	201	18	116
CH062/CH063	40 k6	80	12	43	M16	35	35	205	234	236	236	140	31	25	170	220	16	M10x20 (n.6)	100	255	20	140
	35 k6	70	10	38	M12																	
CH082/CH083	50 k6	100	14	53,5	M16	40	40	260	292	272,5	272,5	180	31	27,5	215	280	18	M12x25 (n.7)	140	315	25	180
	40 k6	80	12	43	M16																	
CH102/CH103	60 m6	120	18	64	M20	40	40	310	364	316	316	225	35,5	27,5	250	330	22	M14x28 (n.7)	159	365	30	227
CH122/CH123	70 m6	140	20	74,5	M20	45	45	370	408	376,5	376,5	250	47,5	35	290	406	26	M14x30 (n.7)	185,5	440	35	253
CH142/CH143	90 m6	170	25	95	M20	50	50	410	498	430	430	315	45	40	340	450	26	M16x32 (n.7)	230	490	35	320

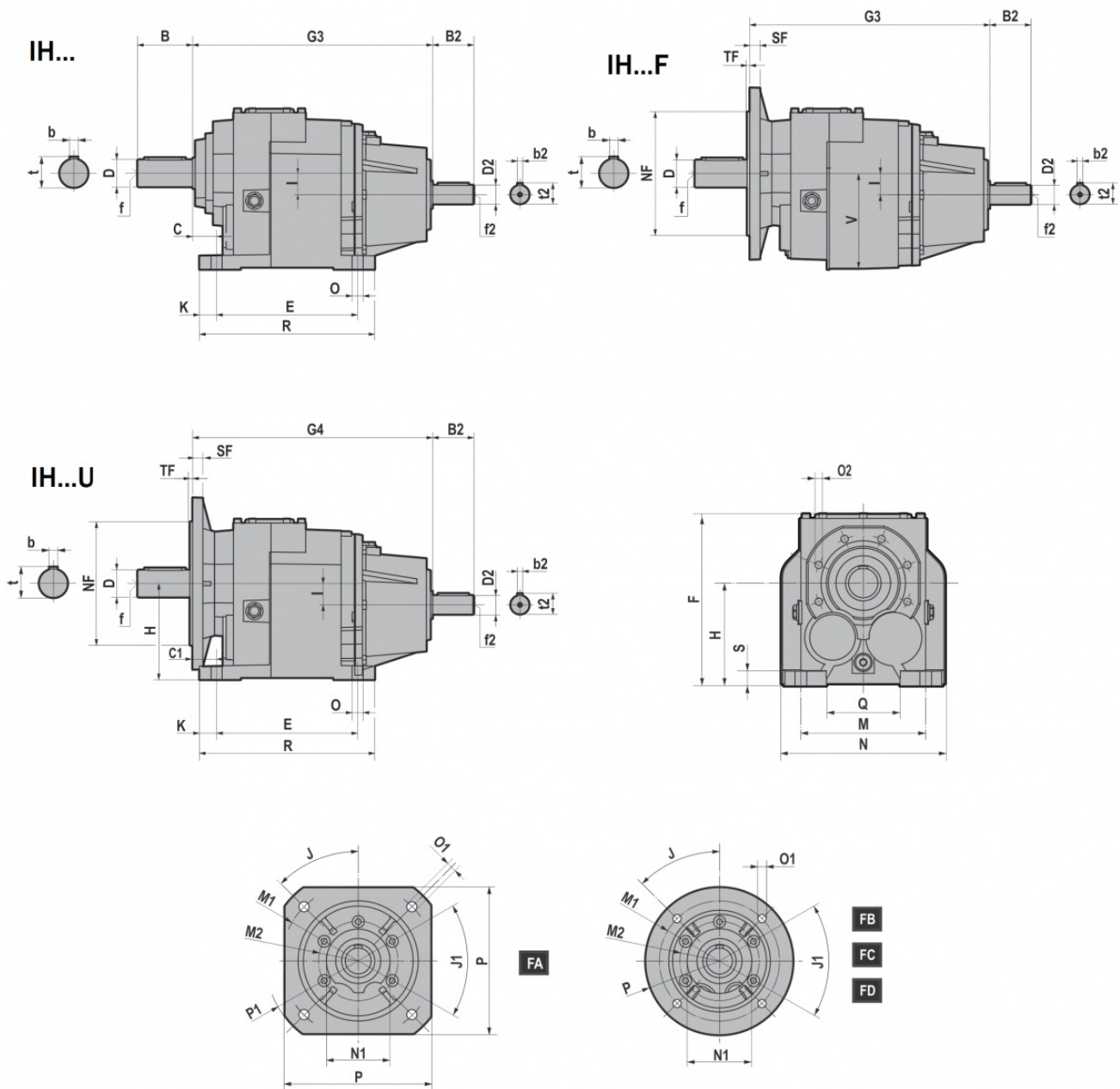
....F/U		J	J1	M1	M2	NF f8	N1	O1	P	P1	SF	TF
CH032/CH033 CH042/CH043	FA	45°	45°	Ø165	Ø85	130	70	11 (n.4)	160	Ø200	9	3,5
	FB			Ø130	Ø85	110		9 (n.4)	Ø160	/	9	3,5
	FC			Ø115	Ø85	95		9 (n.4)	Ø140	/	9	3
	FD			Ø100	Ø85	80		M8 (n.4)	Ø120	/	9	3
CH052/CH053	FA	45°	45°	Ø215	Ø105	180	90	14 (n.4)	200	Ø250	12	4
	FB			Ø165	Ø105	130		11 (n.4)	Ø200	/	12	3,5
CH062/CH063	FA	45°	45°	Ø265	Ø130	230	110	14 (n.4)	250	Ø300	15	4
	FB			Ø215	Ø130	180		14 (n.4)	Ø250	/	15	4
	FC			Ø165	Ø130	130		11 (n.4)	Ø200	/	15	3,5
CH082/CH083	FA	45°	45°	Ø300	Ø165	250	130	18 (n.4)	300	Ø350	16	5
	FB			Ø265	Ø165	230		14 (n.4)	Ø300	/	16	4
	FC			Ø215	Ø165	180		14 (n.4)	Ø250	/	16	4
CH102/CH103	FA	45°	45°	Ø350	Ø185	300	150	18 (n.4)	350	Ø400	18	5
	FB			Ø300	Ø185	250		18 (n.4)	Ø350	/	18	5
	FC			Ø265	Ø185	230		14 (n.4)	Ø300	/	18	4
CH122/CH123	FB	45°	45°	Ø350	Ø200	300	170	18 (n.4)	Ø400	/	18	5
CH142/CH143	FB	22°30'	45°	Ø400	Ø245	350	210	18 (n.8)	Ø450	/	25	5
	FC	45°		Ø350	Ø245	300		18 (n.4)	Ø400	/	25	5

T (IE1 - IE2 - IE3)										
CH.../F/U		063	071	080	090S	090L	100	112	132S	132M/L
CH032/CH033 CH042/CH043 CH052/CH053	X	215	241	268 *(291)	296 *(329)	321 *(354)	333	351 *(375)	/	/
	Y	121	139	158	173	173	191	211	/	/
	Z	104	112	122	130	130	139	154	/	/
CH062/CH063 CH082/CH083	X	/	221	248 *(271)	276 *(309)	301 *(334)	335	356 *(380)	405	443
	Y	/	139	158	173	173	191	211	249	249
	Z	/	112	122	130	130	139	154	194	194
CH102/CH103 CH122/CH123	X	/	/	/	267 *(300)	292 *(325)	326	347 *(371)	396	434
	Y	/	/	/	173	173	191	211	249	249
	Z	/	/	/	130	130	139	154	194	194

TB (IE1 - IE2 - IE3)										
CH.../F/U		063	071	080	090S	090L	100	112	132S	132M/L
CH032/CH033 CH042/CH043 CH052/CH053	X	273	306.5	341 *(364)	373 *(406)	398 *(431)	415	448 *(472)	/	/
	Y	121	139	158	173	173	191	211	/	/
	Z	119	129	137	157	157	168	183	/	/
CH062/CH063 CH082/CH083	X	/	286.5	321 *(344)	353 *(386)	378 *(411)	417	453 *(477)	505	547
	Y	/	139	158	173	173	191	211	249	249
	Z	/	129	137	157	157	168	183	230	230
CH102/CH103 CH122/CH123	X	/	/	/	343 *(376)	368 *(401)	407	443 *(467)	495	537
	Y	/	/	/	173	173	191	211	249	249
	Z	/	/	/	157	157	168	183	230	230

*TP80B4, TP90S4, TP90L4, TP90S6, TP112M4, TP112M6

3.1.16 IH..2/3



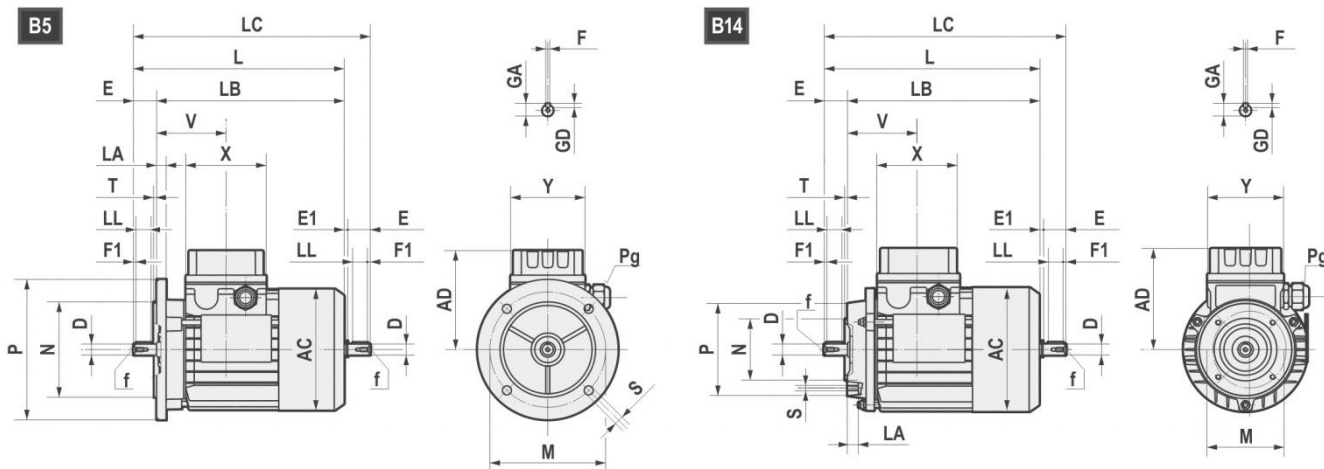
IH.../F/U	D	B	b	t	f	C	C1	E	F	G	G1	H	I	K	M	N	O	O2	Q	R	S	-V
IH032/IH033	25 j6	50	8	28	M10	25	34	130	169	141	150	90	9,2	15	110	140	11	M8x17 (n.5)	60	160	15	92
IH042/IH043	30 j6	60	8	33	M10	30	30	165	189	152	152	115	18	15	135	170	14	M8x17 (n.5)	85	195	15	115
IH052/IH053	35 k6	70	10	38	M12	30	30	165	192	187	187	115	25,5	18	135	185	14	M8x17 (n.5)	80	201	18	116
IH062/IH063	40 k6	80	12	43	M16	35	35	205	234	236	236	140	31	25	170	220	16	M10x20 (n.6)	100	255	20	140
	35 k6	70	10	38	M12																	
IH082/IH083	50 k6	100	14	53,5	M16	40	40	260	292	272,5	272,5	180	31	27,5	215	280	18	M12x25 (n.7)	140	315	25	180
	40 k6	80	12	43	M16																	
IH102/IH103	60 m6	120	18	64	M20	40	40	310	364	316	316	225	35,5	27,5	250	330	22	M14x28 (n.7)	159	365	30	227
IH122/IH123	70 m6	140	20	74,5	M20	45	45	370	408	376,5	376,5	250	47,5	35	290	406	26	M14x30 (n.7)	185,5	440	35	253
IH142/IH143	90 m6	170	25	95	M20	50	50	410	498	430	430	315	45	40	340	450	26	M16x32 (n.7)	230	490	35	320

3.1 REDUCERS/GEARED MOTORS

...F/U		J	J1	M1	M2	NF f8	N1	O1	P	P1	SF	TF
IH032/IH033 IH042/IH043	FA	45°	45°	Ø165	Ø85	130	70	11 (n.4)	160	Ø200	9	3,5
	FB			Ø130	Ø85	110		9 (n.4)	Ø160	/	9	3,5
	FC			Ø115	Ø85	95		9 (n.4)	Ø140	/	9	3
	FD			Ø100	Ø85	80		M8 (n.4)	Ø120	/	9	3
IH052/IH053	FA	45°	45°	Ø215	Ø105	180	90	14 (n.4)	200	Ø250	12	4
	FB			Ø165	Ø105	130		11 (n.4)	Ø200	/	12	3,5
IH062/IH063	FA	45°	45°	Ø265	Ø130	230	110	14 (n.4)	250	Ø300	15	4
	FB			Ø215	Ø130	180		14 (n.4)	Ø250	/	15	4
	FC			Ø165	Ø130	130		11 (n.4)	Ø200	/	15	3,5
IH082/IH083	FA	45°	45°	Ø300	Ø165	250	130	18 (n.4)	300	Ø350	16	5
	FB			Ø265	Ø165	230		14 (n.4)	Ø300	/	16	4
	FC			Ø215	Ø165	180		14 (n.4)	Ø250	/	16	4
IH102/IH103	FA	45°	45°	Ø350	Ø185	300	150	18 (n.4)	350	Ø400	18	5
	FB			Ø300	Ø185	250		18 (n.4)	Ø350	/	18	5
	FC			Ø265	Ø185	230		14 (n.4)	Ø300	/	18	4
IH122/IH123	FB	45°	45°	Ø350	Ø200	300	170	18 (n.4)	Ø400	/	18	5
IH142/IH143	FB	22°30'	45°	Ø400	Ø245	350	210	18 (n.8)	Ø450	/	25	5
	FC	45°		Ø350	Ø245	300		18 (n.4)	Ø400	/	25	5

IH.../F/U	G3	G4	B2	D2	b2	t2	f2
IH032/IH033	231	240	50	24 j6	8	27	M8
IH042/IH043	242	242	50	24 j6	8	27	M8
IH052/IH053	277	277	50	24 j6	8	27	M8
IH062/IH063	349	349	60	28 j6	8	31	M10
IH082/IH083	385,5	385,5	60	28 j6	8	31	M10
IH102/IH103	442,5	442,5	80	38 k6	10	41	M12
IH122/IH123	503	503	80	38 k6	10	41	M12
IH142/IH143	570	570	110	42 k6	12	45	M16

3.2.1 Electric motors



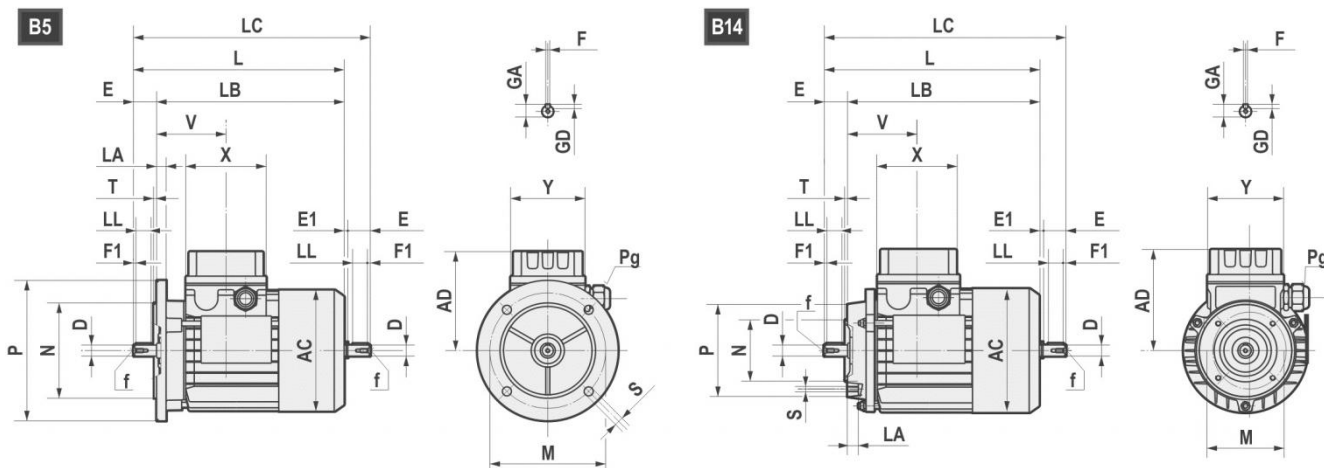
	AC	AD	L	LB	LC	X	Y	V	D	E	E1	f	F1	GA	F	GD
63	121	104	211	188	235,5	80	74	69	11 j6	23	1,5	M4x10	2,5	12,5	4	4
71	139	112	238,5	208,5	271	80	74	74,5	14 j6	30	2,5	M5x12,5	3	16	5	5
80	158	122	272,5 *(296)	232,5 *(256)	314 *(337)	80	74	78	19 j6	40	1,5	M6x16	5	21,5	6	6
90S	173	146	298 *(331)	248 *(281)	349,5 *(381)	98	98	89,5	24 j6	50	1,5	M8x19	5	27	8	7
90L	173	146	323 *(356)	273 *(306)	374,5 *(408)	98	98	89,5	24 j6	50	1,5	M8x19	5	27	8	7
100	191	155	368	308	431,5	98	98	97,5	28 j6	60	3,5	M10x22	7,5	31	8	7
112	211	170	382,5 *(408)	322,5 *(348)	447 *(472)	98	98	100	28 j6	60	3,5	M10x22	7,5	31	8	7
132S	249	195	452	372	536,5	118	118	115,5	38 k6	80	4	M12x28	10	41	10	8
132L	249	195	490	410	574,5	118	118	115,5	38 k6	80	4	M12x28	10	41	10	8
160S	249	195	520	410	/	118	118	115,5	42k6	100	/	M16x36	10	45	12	8

*TP80B4, TP90S4, TP90L4, TP90S6, TP112M4, TP112M6

B5	M	N	P	LA	S	T
63	115	95	140	10	9	3
71	130	110	160	10	9,5	3,5
80	165	130	200	12	11	3,5
90	165	130	200	12	11	3,5
100	215	180	250	15	14	4
112	215	180	250	14,5	14	4
132	265	230	300	20	14	3,5
160	300	250	350	13	18,5	3,5

B14	M	N	P	LA	S	T
63	75	60	90	10	M5	2,5
71	85	70	105	10,5	M6	2,5
80	100	80	120	10,5	M6	3
90	115	95	140	11,5	M8	3
100	130	110	160	15	M8	3,5
112	130	110	160	11,5	M8	3,5
132	165	130	200	20,5	M10	3,5
160	215	180	250	-	M12	4

3.2 ELECTRIC MOTORS



		AC	AD	L	LB	X	D	E	f	GA	F	GD	LL	Pg	
160M	2-4-6	314	251	600	490	158	42	110	M16	45	12	8	90	2-M40x1,5	1-M16x1,5
160L	2-4-6	314	251	645	535	158	42	110	M16	45	12	8	90	2-M40x1,5	1-M16x1,5
180M	2-4	355	267	680	570	158	48	110	M16	51,5	14	9	100	2-M40x1,5	1-M16x1,5
180L	4-6	355	267	720	610	158	48	110	M16	51,5	14	9	100	2-M40x1,5	1-M16x1,5
200L	2-4-6	397	300	785	675	187	55	110	M20	59	16	10	100	2-M50x1,5	1-M16x1,5
225S	4	446	325	820	680	187	60	140	M20	64	18	11	125	2-M50x1,5	1-M16x1,5
225M	2	446	325	815	705	187	55	110	M20	59	16	10	100	2-M50x1,5	1-M16x1,5
225M	4-6	446	325	845	705	187	60	140	M20	64	18	11	125	2-M50x1,5	1-M16x1,5
250M	2-4-6	485	360	910	770	238	60	140	M20	64	18	11	125	2-M63x1,5	1-M16x1,5
250M	2-4-6	485	360	910	770	238	65	140	M20	69	18	11	125	2-M63x1,5	1-M16x1,5
280S	2-4-6	547	390	970	830	238	65	140	M20	69	18	11	125	2-M63x1,5	1-M16x1,5
280S	2-4-6	547	390	970	830	238	75	140	M20	79,5	20	12	125	2-M63x1,5	1-M16x1,5
280M	2-4-6	547	390	1025	885	238	65	140	M20	69	18	11	125	2-M63x1,5	1-M16x1,5
280M	2-4-6	547	390	1025	885	238	75	140	M20	79,5	20	12	125	2-M63x1,5	1-M16x1,5

B5	M	N	P	LA	S	T
160	300	250	350	13	19	5
180	300	250	350	15	19	5
200	350	300	400	17	19	5
225	400	350	450	20	19	5
250	500	450	550	22	19	5
280	500	450	550	22	19	5

3.2.2 Standard high efficiency (TS), high (TH) and premium (TP) motors

Motovario, three-phase, single polarity motors are available in three different versions (IE1-IE2-IE3) in compliance with standard 60034-30-1 (see table). The efficiency value is calculated according to the method set forth in standard IEC 60034-2-1.

1. IE1: Standard efficiency TS series.
2. IE2: High efficiency TH series
3. IE3: Premium efficiency TP series.

Table of Motovario commercial availability

NOMINAL POWER [kW]	POLES	EFFICIENCY LEVEL		
		IE1	IE2	IE3
$0,09 \leq P_n < 0,75$	2 - 4 - 6	TS-TBS	-	-
$0,75 \leq P_n \leq 11$	2 - 4	TBS	-	-
$0,75 \leq P_n \leq 5,5$	6	TBS	TH-TBH	TP-TBP
$0,75 \leq P_n \leq 9,2$	2 - 4	-	TH-TBH	-
$0,75 \leq P_n \leq 7,5$	2 - 4	-	-	TP-TBP
$7,5 \leq P_n \leq 22$	6	TBS (*)	-	TP
$11 \leq P_n \leq 90$	4	-	-	TP
$15 \leq P_n \leq 37$	2	TBS (*)	-	TP
$15 \leq P_n \leq 55$	4	TBS (*)	-	-

(*) Series available on request.

3.2.3 Nominal power - [kW]

	63A	63B	63C	71A	71B	71C	80A			80B		
Poles	TS	TS	TS	TS	TS	TS	TS	TH	TP	TS	TH	TP
2	0,18	0,25	0,37	0,37	0,55	-	-	0,75	0,75	-	1,1	1,1
4	0,12	0,18	0,22	0,25	0,37	0,55	0,55	-	-	-	0,75	0,75
6	0,09	0,12	0,15	0,18	0,25	0,37	0,37	-	-	0,55	-	-

	90S		90L		100LR	100L	100LA		112MR	112MS	112MA	112M
Poles	TH	TP	TH	TP	TP	TP	TH	TP	TP	TP	TH	TP
2	1,5	1,5	2,2	2,2	-	3	3	-	-	-	4	4
4	1,1	1,1	1,5	1,5	-	-	2,2	2,2	2,2	3	4	4
6	-	0,75	0,75	-	1,1	1,5	1,1	-	-	-	2,2	2,2

	112MR	112MS	132S	132SA	132MS	132SB	132M	132MA		132MB	
Poles	TP	TP	TP	TH	TP	TH	TP	TH	TP	TH	TP
2	-	-	5,5	5,5	-	7,5	7,5	9,2	-	-	-
4	2,2	3	-	5,5	5,5	-	7,5	7,5	-	9,2	-
6	-	-	3	3	-	-	-	4	4	5,5	5,5

	160M	160MA	160MB	160L	160LA	180M	180L
Poles	TP	TP	TP	TP	TP	TP	TP
2	-	11	15	18,5	-	22	-
4	-	11	-	-	15	18,5	22
6	7,5	-	-	11	-	-	15

	200L	200LA	200LB	225S	225M	250M	280S	280M
Poles	TP	TP	TP	TP	TP	TP	TP	TP
2	-	30	37	-	-	-	-	-
4	30	-	-	37	45	55	75	90
6	-	18,5	22	-	-	-	-	-

3.3 WEIGHTS

The values reported in the tables are referred to the weight of the gearbox with lubricant included.

*Weight without motor

* H-PH	063	071	080-090	100-112	132	160-180	200	225	
A31	1,9	2,0	2,2	/	/	/	/	/	- kg
A32	4,2	4,3	4,6	/	/	/	/	/	
A33	4,0	4,1	5,2	/	/	/	/	/	
A41	3,1	3,2	3,5	/	/	/	/	/	
A42	5,2	5,3	5,5	/	/	/	/	/	
A43	5,8	5,9	6,1	/	/	/	/	/	
A51	4,2	4,3	4,5	/	/	/	/	/	
A52	/	/	9,5	13,0	/	/	/	/	
A53	9,9	10,0	10,2	/	/	/	/	/	
A61	/	/	6,6	7,0	/	/	/	/	
A62	/	/	11,3	14,8	/	/	/	/	
A63	12,5	12,6	13,2	/	/	/	/	/	
032-033	8,4	8,8	9,4	13,7	/	/	/	/	
042-043	10,9	11,3	11,9	16,2	/	/	/	/	
R041	/	4,8	5,4	/	/	/	/	/	
052-053	16,0	16,4	17,0	21,3	/	/	/	/	
R051	/	6,7	7,3	11,6	/	/	/	/	
062-063	/	27,0	29,1	31,2	33,9	/	/	/	
R061	/	/	9,3	13,6	/	/	/	/	
082-083	/	/	49,1	51,2	53,2	60,5	/	/	
R081	/	/	19,3	21,3	23,9	/	/	/	
102-103	/	/	77,6	79,9	82,7	88,7	/	/	
R101	/	/	/	32,7	35,5	41,5	/	/	
R121	/	/	/	/	36,8	42,8	57,8	/	
122-123	/	/	/	109,5	112,3	118,3	133,3	/	
142-143	/	/	/	/	177,0	184,9	199,1	200,9	

IH	- kg
A32	4,3
A33	5,0
A41	3,3
A42	5,2
A43	5,8
A51	4,2
A52	9,4
A53	9,9
A61	6,5
A62	11,2
A63	12,9
032-033	11,5
042-043	14,0
R041	7,5
052-053	19,1
R051	9,4
062-063	33,1
R061	11,4
082-083	53,1
R081	23,2
102-103	87,5
R101	40,3
R121	41,6
122-123	117,1
142-143	192,1

3.3 WEIGHTS

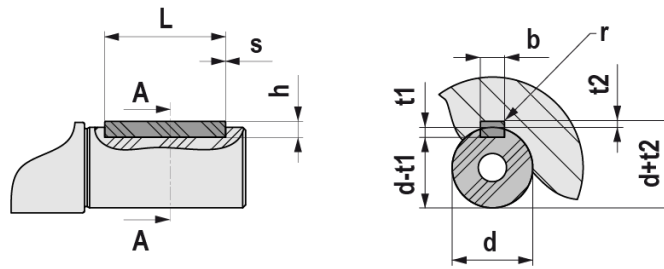
CH	TS									
	063	071	080	090S	090L	100	112	132S	132M	
A32	6,9	8,7	12,7	/	/	/	/	/	/	~ kg
A33	7,6	9,5	13,5	/	/	/	/	/	/	
A41	5,9	7,8	11,8	/	/	/	/	/	/	
A42	7,8	9,7	13,7	15,6	18,1	/	/	/	/	
A43	8,4	10,3	14,3	16,2	18,7	/	/	/	/	
A51	6,2	8,1	12,1	14,0	16,5	/	/	/	/	
A52	/	/	17,2	19,1	21,6	26,2	36,5	/	/	
A53	12,0	13,9	17,9	19,8	22,3	/	/	/	/	
A61	/	/	14,3	16,2	18,7	23,3	33,6	/	/	
A62	/	/	19,2	21,1	23,6	28,2	38,5	/	/	
A63	14,6	16,5	20,5	22,4	24,9	/	/	/	/	
032-033	11,9	12,8	17,5	21,4	23,4	28,9	40,4	/	/	
042-043	14,4	15,3	20,0	23,9	25,9	31,4	42,9	/	/	
R041	/	8,8	13,5	17,4	19,4	/	/	/	/	
052-053	19,5	20,4	25,1	29,0	31,0	36,5	48,0	/	/	
R051	/	10,7	15,4	19,3	21,3	26,8	38,3	/	/	
062-063	/	32,7	37,8	40,2	41,7	46,8	58,2	72,2	83,8	
R061	/	/	17,4	21,3	23,3	28,8	40,3	/	/	
082-083	/	/	59,7	62,1	63,6	68,7	80,1	94,1	105,7	
R081	/	/	27,1	29,5	31	36,1	47,5	61,5	73,1	
102-103	/	/	/	93,8	94,8	100,8	110,8	125,8	134,8	
R101	/	/	/	/	/	49,6	59,6	74,6	83,6	
R121	/	/	/	/	/	/	/	77	86	
122-123	/	/	/	/	/	134,5	144,5	159,5	168,5	

CH	TH							
	080	090S	090L	100	112	132S	132M	
A32	14,4	/	/	/	/	/	/	~ kg
A33	15,2	/	/	/	/	/	/	
A41	13,5	/	/	/	/	/	/	
A42	15,4	17,9	20	/	/	/	/	
A43	16,0	18,5	20,6	/	/	/	/	
A51	13,8	16,3	18,4	/	/	/	/	
A52	18,9	21,5	23,6	28,5	39,6	/	/	
A53	19,6	22,1	24,3	/	/	/	/	
A61	16,0	18,6	20,7	25,6	36,7	/	/	
A62	20,9	23,4	25,6	30,5	41,6	/	/	
A63	22,1	24,7	26,8	/	/	/	/	
032-033	19,2	23,7	25,3	31,2	43,5	/	/	
042-043	21,7	26,3	27,9	33,8	46	/	/	
R041	15,2	19,7	21,3	/	/	/	/	
052-053	26,8	31,4	33	38,9	51,1	/	/	
R051	17,1	21,6	23,2	29,1	41,4	/	/	
062-063	39,5	42,5	43,7	49,1	61,3	77,5	90,6	
R061	19,1	23,6	25,2	31,1	43,4	/	/	
082-083	61,4	64,4	65,6	71	83,2	99,4	112,5	
R081	28,8	31,8	33	38,4	50,6	66,8	79,9	
102-103	/	96,1	96,8	103,1	113,9	131,1	141,6	
R101	/	/	/	51,9	62,7	79,9	90,4	
R121	/	/	/	/	/	82,3	92,8	
122-123	/	/	/	136,8	147,6	164,8	175,3	

CH	TBS									
	063	071	080	090S	090L	100	112	132S	132M	
A32	8,2	10,6	15,8	/	/	/	/	/	/	~ kg
A33	8,9	11,4	16,6	/	/	/	/	/	/	
A41	7,2	9,7	14,9	/	/	/	/	/	/	
A42	9,1	11,6	16,8	20,5	23,0	/	/	/	/	
A43	9,7	12,2	17,4	21,1	23,6	/	/	/	/	
A51	7,5	10	15,2	18,9	21,4	/	/	/	/	
A52	/	/	20,3	24,3	26,5	31,1	44,8	/	/	
A53	13,3	15,8	21	24,7	27,2	/	/	/	/	
A61	/	/	17,4	21,1	23,6	28,2	41,9	/	/	
A62	/	/	22,3	26	28,5	33,1	46,8	/	/	
A63	15,9	18,4	23,6	27,3	29,8	/	/	/	/	
032-033	13,4	15	21	26,9	28,9	34,4	50,1	/	/	
042-043	15,9	17,5	23,5	29,4	31,4	36,9	52,6	/	/	
R041	/	11	17	22,9	24,9	/	/	/	/	
052-053	21,0	22,6	28,6	34,5	36,5	42	57,7	/	/	
R051	/	12,9	18,9	24,8	26,8	32,3	48	/	/	
062-063	/	34,9	41,3	45,7	47,2	52,3	67,9	82,5	98,5	
R061	/	/	20,9	26,8	28,8	34,3	50	/	/	
082-083	/	/	63,2	67,6	69,1	74,2	89,8	104,4	120,4	
R081	/	/	30,6	35	36,5	41,6	57,2	71,8	87,8	
102-103	/	/	/	99,4	100,4	106,4	120,6	136,2	149,6	
R101	/	/	/	/	/	55	69,3	85	98,3	
R121	/	/	/	/	/	/	/	87,3	100,7	
122-123	/	/	/	/	/	140	154,2	169,8	183,2	

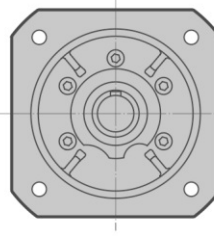
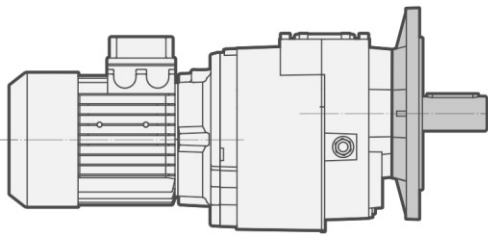
CH	TBH							
	080	090S	090L	100	112	132S	132M	
A32	17,5	/	/	/	/	/	/	~ kg
A33	18,3	/	/	/	/	/	/	
A41	16,6	/	/	/	/	/	/	
A42	18,5	22,8	25,0	/	/	/	/	
A43	19,1	23,4	25,6	/	/	/	/	
A51	16,9	21,2	23,4	/	/	/	/	
A52	22	26,6	28,5	34,8	47,9	/	/	
A53	22,7	27	29,2	/	/	/	/	
A61	19,1	23,4	25,6	31,9	45	/	/	
A62	24	28,3	30,5	36,8	49,9	/	/	
A63	25,3	29,6	31,8	/	/	/	/	
032-033	22,7	29,2	30,9	38,1	53,2	/	/	
042-043	25,2	31,7	33,4	40,6	55,7	/	/	
R041	18,6	25,2	26,9	/	/	/	/	
052-053	30,3	36,9	38,6	45,8	60,9	/	/	
R051	20,6	27,1	28,8	36	51,1	/	/	
062-063	43	48	49,2	56	71	87,8	105	
R061	22,6	29,1	30,8	38	53,1	/	/	
082-083	64,9	69,9	71,1	77,9	92,9	109,7	126,9	
R081	32,3	37,3	38,5	45,3	60,3	77,1	94,3	
102-103	/	101,7	102,4	110,1	123,7	141,5	156,1	
R101	/	/	/	58,7	72,4	90,3	104,8	
R121	/	/	/	/	/	92,6	107,2	
122-123	/	/	/	143,7	157,3	175,1	189,7	

3.4 SHAFT END

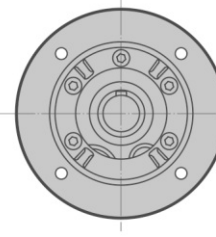


UNI 6604 - DIN 6885														
d		b x h			Tol. b/h	L		$\frac{s}{\text{min / max}}$	b	t1	t2	Tol. t1/t2	r max	
	6	8	2	x	2	h9 / h9	6	20	0,16 0,25	2	1,2	1	0,1 0	0,08 0,16
>	8	10	3	x	3		6	36		3	1,8	1,4		
>	10	12	4	x	4		8	45		4	2,5	1,8		
>	12	17	5	x	5		10	56	0,25 0,4	5	3	2,3	0,16 0,25	
>	17	22	6	x	6		14	70		6	3	2,8		
>	22	30	8	x	7		18	90	0,4 0,6	8	4	3,3	0,2 0	0,25 0,4
>	30	38	10	x	8	22	110	10		5	3,3			
>	38	44	12	x	8	28	140	12		5	3,3			
>	44	50	14	x	9	36	160	14		5,5	3,8			
>	50	58	16	x	10	45	180	16		6	4,3			
>	58	65	18	x	11	50	200	18		7	4,4			
>	65	75	20	x	12	56	110	0,6 0,8	20	7,5	4,9	0,4 0,6		
>	75	85	22	x	14	63	140		22	9	5,4			
>	85	95	25	x	14	70	160		25	9	5,4			
>	95	110	28	x	16	80	180		28	10	6,4			
>	110	130	32	x	18	90	200		32	11	7,4			
>	130	150	36	x	20	100	160		1 1,2	36	12		8,4	0,3 0
>	150	170	40	x	22	110	180	40		13	9,4			
>	170	200	45	x	25	125	200	45		14	10,4			

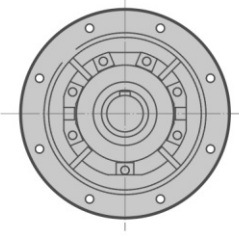
4.1 OUTPUT FLANGE



FA



FB FC FD



FB (H140)

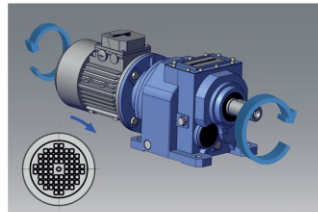
H...F/H...U		
R041 R051	032/033 042/043	FA
		FB
		FC
		FD
R061	052/053	FA
		FB
R081 R101	062/063	FA
		FB
		FC
R121	082/083	FA
		FB
		FC
-	102/103	FA
		FB
		FC
	122/123	FA
		FB
		FC
142/143	142/143	FA
		FB
		FC

4.2 BACKSTOP DEVICE

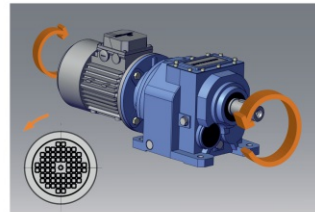
The gear reducer can be supplied with backstop device on input shaft. Backstop device allows output shaft rotation in only one sense of direction; according to the size, it is available in the input flange or in the motor with the same dimensions. It is important to specify the required sense of direction on the order. The backstop device is not available for mounting position V1/V5 with motor size IEC 100...225.

SENSE OF DIRECTION AVAILABLE

H... 1 - H... 1F - H... 1U - H... M - H... 3 - H... 3F - H... 3U

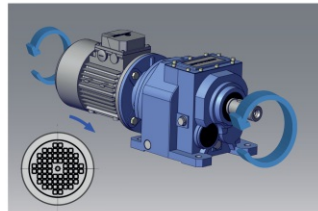


CLOCKWISE SENSE OF DIRECTION
REFERRED TO HIGH SPEED SHAFT

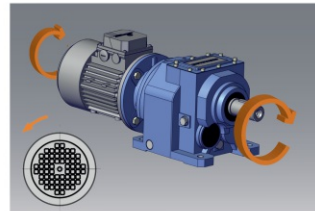


COUNTER CLOCKWISE SENSE OF DIRECTION
REFERRED TO HIGH SPEED SHAFT

H... 2 - H... 2F - H... 2U



CLOCKWISE SENSE OF DIRECTION
REFERRED TO HIGH SPEED SHAFT



COUNTER CLOCKWISE SENSE OF DIRECTION
REFERRED TO HIGH SPEED SHAFT

4.2 BACKSTOP DEVICE

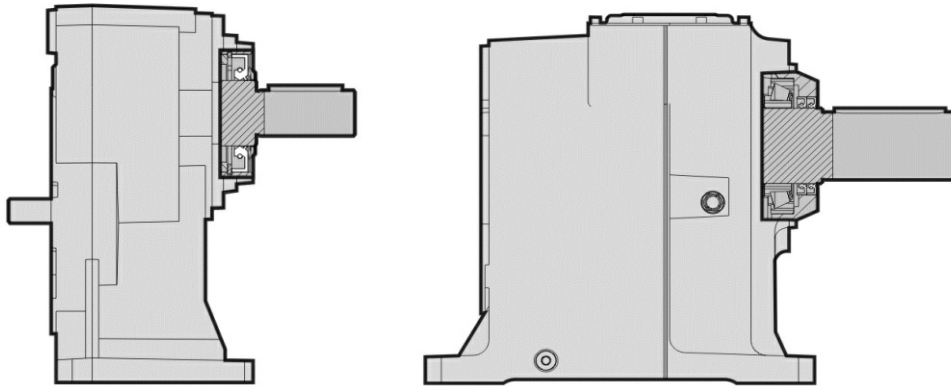
	063	071	080	090	100-112	132	160	180	200	225
	140x11	160x14	200x19	200x24	250x28	300x38	350x42	350x48	400x55	450x60
H032		B5	B5	B5	B5					
H033	B5	B5	B5	B5						
HR041		B5	B5	B5						
H042		B5	B5	B5	B5					
H043	B5	B5	B5	B5						
HR051		B5	B5	B5	B5					
H052		B5	B5	B5	B5					
H053	B5	B5	B5	B5						
HR061			B5	B5	B5					
H062			B5	B5	B5	B5				
H063		B5	B5	B5	B5					
HR081			B5	B5	B5	B5				
H082			B5	B5	B5	B5	B5			
H083			B5	B5	B5	B5				
HR101					B5	B5	B5	B5		
H102					B5	B5	B5	B5		
H103				B5	B5	B5	B5			
HR121						B5	B5	B5	B5	
H122						B5	B5	B5	B5	
H123					B5	B5	B5	B5	B5	
H142							B5	B5	B5	B5
H143						B5	B5	B5	B5	

4.3 REINFORCED OIL SEALS FOR OUTPUT SHAFT

The reinforced seal can be done depending on the gearbox size by means of two oil seals or through the standard oil seal with VRM ring. The difference of the two solutions is explained on the drawings.

The helical gear reducers from size 060 to size 140 (except for single stage) in V1/ V5 mounting position, are already equipped with 2 oil seals as standard.

On request the gear reducer can be supplied with fluoroelastomer FPM (FKM) seals.



	Double oil seal	VRM ring
HR041		X
HR051		X
HR061		X
HR081		X
HR101		X
HR121		X
H032/3		X
H042/3		X
H052/3		X
H062/3	X	
H082/3	X	
H102/3	X	
H122/3	X	
H142/3	X	

5.1 H/HA GEARED MOTORS (50Hz)

0,09 kW

n2 [rpm]	M2 [Nm]	fs	i	Gear reducer	Size	Motor Pole	Fr2 [N]
136,5	6	3,9	6,30	HA31	63A	6	972
109,2	8	3,0	7,88	HA31	63A	6	1047
109,2	8	3,4	7,88	HA41	63A	6	1058
79,4	11	1,4	10,83	HA31	63A	6	1100
79,4	11	2,0	10,83	HA41	63A	6	1100
79,4	11	2,5	10,83	HA51	63A	6	3000
35,0	24	3,8	24,55	HA32	63A	6	2000
28,2	30	2,8	30,55	HA32	63A	6	2000
24,3	34	2,8	35,44	HA32	63A	6	2000
19,5	43	2,2	44,10	HA32	63A	6	2000
19,5	43	3,4	44,10	HA42	63A	6	4300
17,6	47	1,8	48,75	HA32	63A	6	2000
17,6	47	2,6	48,75	HA42	63A	6	4300
16,8	49	2,2	51,32	HA33	63A	6	2000
16,8	49	3,2	51,32	HA43	63A	6	4300
14,4	57	1,9	59,65	HA33	63A	6	2000
14,4	57	2,8	59,65	HA43	63A	6	4300
14,2	59	1,7	60,67	HA32	63A	6	2000
14,2	59	2,3	60,67	HA42	63A	6	4300
12,9	63	3,3	66,78	H033	63A	6	5500
11,9	69	1,5	72,27	HA33	63A	6	2000
11,9	69	2,3	72,27	HA43	63A	6	4300
11,5	71	3,0	74,84	H033	63A	6	5500
9,9	83	3,8	87,05	H043	63A	6	6600
9,8	84	3,8	88,02	HA53	63A	6	6000
9,6	85	1,2	89,94	HA33	63A	6	2000
9,6	85	1,8	89,94	HA43	63A	6	4300
8,7	94	2,2	99,27	H033	63A	6	5500
8,0	103	2,0	108,05	H033	63A	6	5500
7,8	105	1,0	110,51	HA33	63A	6	2000
7,8	105	1,5	110,51	HA43	63A	6	4300
7,7	106	3,0	111,61	HA53	63A	6	6000
7,5	109	2,9	114,55	H043	63A	6	6600
7,0	117	1,8	123,71	H033	63A	6	5500
6,8	119	2,6	125,69	H043	63A	6	6600
6,4	127	0,8	133,88	HA33	63A	6	2000
6,4	127	1,2	133,88	HA43	63A	6	4300
6,2	132	2,4	138,71	HA53	63A	6	6000
6,2	132	3,8	138,71	HA63	63A	6	8000
6,1	135	2,3	142,04	H043	63A	6	6600
6,0	136	1,5	143,33	H033	63A	6	5500
5,5	149	3,5	157,29	H053	63A	6	8000

0,09 kW

n2 [rpm]	M2 [Nm]	fs	i	Gear reducer	Size	Motor Pole	Fr2 [N]
5,3	155	2,0	163,05	HA53	63A	6	6000
5,3	155	3,3	163,05	HA63	63A	6	8000
5,2	157	2,0	165,38	H043	63A	6	6600
5,2	158	1,0	166,61	HA43	63A	6	4300
4,8	169	1,2	178,61	H033	63A	6	5500
4,4	187	1,1	197,17	H033	63A	6	5500
4,4	185	2,8	194,56	H053	63A	6	8000
4,4	183	0,9	193,30	HA43	63A	6	4300
4,3	190	1,7	200,27	HA53	63A	6	6000
4,3	190	2,7	200,27	HA63	63A	6	8000
4,2	195	1,6	205,07	H043	63A	6	6600
4,0	205	2,6	216,38	H053	63A	6	8000
3,8	216	1,5	227,50	H043	63A	6	6600
3,7	223	1,4	235,41	HA53	63A	6	6000
3,7	223	2,3	235,41	HA63	63A	6	8000
3,5	233	0,9	245,70	H033	63A	6	5500
3,2	254	2,1	267,65	H053	63A	6	8000
3,0	268	1,2	282,10	H043	63A	6	6600
3,0	270	1,2	284,81	HA53	63A	6	6000
3,0	270	1,9	284,81	HA63	63A	6	8000
2,4	336	0,9	353,98	HA53	63A	6	6000
2,4	336	1,5	353,98	HA63	63A	6	8000

0,12 kW

n2 [rpm]	M2 [Nm]	fs	i	Gear reducer	Size	Motor Pole	Fr2 [N]
181,1	6	3,7	4,75	HA31	63B	6	884
170,2	7	3,4	7,88	HA31	63A	4	903
170,2	7	3,8	7,88	HA41	63A	4	913
168,6	7	3,6	5,10	HA31	63B	6	906
157,7	7	3,4	5,45	HA31	63B	6	926
136,5	8	2,9	6,30	HA31	63B	6	972
123,7	9	1,6	10,83	HA31	63A	4	1004
123,7	9	2,2	10,83	HA41	63A	4	1015
123,7	9	2,8	10,83	HA51	63A	4	2798
109,2	10	2,2	7,88	HA31	63B	6	1047
109,2	10	2,6	7,88	HA41	63B	6	1058
79,4	14	1,0	10,83	HA31	63B	6	1100
79,4	14	1,5	10,83	HA41	63B	6	1100
79,4	14	1,9	10,83	HA51	63B	6	3000
52,2	21	3,9	16,49	HA32	63B	6	1873
43,9	25	3,2	30,55	HA32	63A	4	1985

5.1 H/HA GEARED MOTORS (50Hz)

0,12 kW

n2 [rpm]	M2 [Nm]	fs	i	Gear reducer	Size	Motor Pole	Fr2 [N]
42,4	26	3,6	20,26	HA32	63B	6	2000
37,8	29	3,1	35,44	HA32	63A	4	2000
35,0	32	2,8	24,55	HA32	63B	6	2000
30,4	36	2,5	44,10	HA32	63A	4	2000
30,4	36	3,9	44,10	HA42	63A	4	4300
28,2	39	2,1	30,55	HA32	63B	6	2000
28,2	39	3,7	30,55	HA42	63B	6	4300
27,5	40	2,0	48,75	HA32	63A	4	2000
27,5	40	2,9	48,75	HA42	63A	4	4300
26,1	41	2,4	51,32	HA33	63A	4	2000
26,1	41	3,6	51,32	HA43	63A	4	4300
24,3	46	2,1	35,44	HA32	63B	6	2000
24,3	46	3,4	35,44	HA42	63B	6	4300
22,5	48	2,1	59,65	HA33	63A	4	2000
22,5	48	3,1	59,65	HA43	63A	4	4300
22,1	50	1,9	60,67	HA32	63A	4	2000
22,1	50	2,6	60,67	HA42	63A	4	4300
20,1	54	3,7	66,78	H033	63A	4	5500
19,5	57	1,7	44,10	HA32	63B	6	2000
19,5	57	2,6	44,10	HA42	63B	6	4300
18,5	58	1,7	72,27	HA33	63A	4	2000
18,5	58	2,6	72,27	HA43	63A	4	4300
17,9	60	3,3	74,84	H033	63A	4	5500
17,6	63	1,3	48,75	HA32	63B	6	2000
17,6	63	1,9	48,75	HA42	63B	6	4300
16,8	65	1,6	51,32	HA33	63B	6	2000
16,8	65	2,4	51,32	HA43	63B	6	4300
16,0	68	3,1	53,59	H033	63B	6	5500
14,9	72	1,4	89,94	HA33	63A	4	2000
14,9	72	2,1	89,94	HA43	63A	4	4300
14,4	75	1,4	59,65	HA33	63B	6	2000
14,4	75	2,1	59,65	HA43	63B	6	4300
14,2	78	1,3	60,67	HA32	63B	6	2000
14,2	78	1,7	60,67	HA42	63B	6	4300
13,5	80	2,5	99,27	H033	63A	4	5500
12,9	84	2,5	66,78	H033	63B	6	5500
12,4	87	2,3	108,05	H033	63A	4	5500
12,1	89	1,1	110,51	HA33	63A	4	2000
12,1	89	1,7	110,51	HA43	63A	4	4300
12,0	90	3,3	111,61	HA53	63A	4	6000
11,9	91	1,1	72,27	HA33	63B	6	2000
11,9	91	1,7	72,27	HA43	63B	6	4300

5.1 H/HA GEARED MOTORS (50Hz)

0,12 kW

n2 [rpm]	M2 [Nm]	fs	i	Gear reducer	Size	Motor Pole	Fr2 [N]
11,7	92	3,3	114,55	H043	63A	4	6600
11,5	95	2,2	74,84	H033	63B	6	5500
11,5	95	3,3	74,88	HA53	63B	6	6000
11,2	97	3,2	76,67	H043	63B	6	6600
10,8	99	2,0	123,71	H033	63A	4	5500
10,7	101	3,0	125,69	H043	63A	4	6600
10,0	108	0,9	133,88	HA33	63A	4	2000
10,0	108	1,4	133,88	HA43	63A	4	4300
9,9	110	2,9	87,05	H043	63B	6	6600
9,8	111	2,8	88,02	HA53	63B	6	6000
9,7	112	2,7	138,71	HA53	63A	4	6000
9,6	114	0,9	89,94	HA33	63B	6	2000
9,6	114	1,4	89,94	HA43	63B	6	4300
9,4	114	2,6	142,04	H043	63A	4	6600
9,3	115	1,7	143,33	H033	63A	4	5500
8,7	126	1,7	99,27	H033	63B	6	5500
8,5	126	4,0	157,29	H053	63A	4	8000
8,2	131	2,3	163,05	HA53	63A	4	6000
8,2	131	3,7	163,05	HA63	63A	4	8000
8,1	133	2,3	165,38	H043	63A	4	6600
8,0	137	1,5	108,05	H033	63B	6	5500
8,0	134	1,1	166,61	HA43	63A	4	4300
7,9	138	3,8	108,95	H053	63B	6	8000
7,8	140	1,1	110,51	HA43	63B	6	4300
7,7	141	2,2	111,61	HA53	63B	6	6000
7,7	141	3,6	111,61	HA63	63B	6	8000
7,5	144	1,4	178,61	H033	63A	4	5500
7,5	145	2,2	114,55	H043	63B	6	6600
7,0	157	1,3	123,71	H033	63B	6	5500
6,9	156	3,2	194,56	H053	63A	4	8000
6,9	155	1,0	193,30	HA43	63A	4	4300
6,8	159	1,3	197,17	H033	63A	4	5500
6,8	159	2,0	125,69	H043	63B	6	6600
6,7	161	1,9	200,27	HA53	63A	4	6000
6,7	161	3,0	200,27	HA63	63A	4	8000
6,5	165	1,8	205,07	H043	63A	4	6600
6,4	170	3,1	134,76	H053	63B	6	8000
6,4	169	0,9	133,88	HA43	63B	6	4300
6,2	174	2,9	216,38	H053	63A	4	8000
6,2	175	1,8	138,71	HA53	63B	6	6000
6,2	175	2,9	138,71	HA63	63B	6	8000
6,1	180	1,8	142,04	H043	63B	6	6600

5.1 H/HA GEARED MOTORS (50Hz)

0,12 kW

n2 [rpm]	M2 [Nm]	fs	i	Gear reducer	Size	Motor Pole	Fr2 [N]
6,0	181	1,2	143,33	H033	63B	6	5500
5,9	183	1,6	227,50	H043	63A	4	6600
5,7	189	1,6	235,41	HA53	63A	4	6000
5,7	189	2,5	235,41	HA63	63A	4	8000
5,5	198	1,0	245,70	H033	63A	4	5500
5,5	199	2,6	157,29	H053	63B	6	8000
5,3	206	1,5	163,05	HA53	63B	6	6000
5,3	206	2,4	163,05	HA63	63B	6	8000
5,2	209	1,5	165,38	H043	63B	6	6600
5,0	215	2,3	267,65	H053	63A	4	8000
4,8	226	0,9	178,61	H033	63B	6	5500
4,8	227	1,3	282,10	H043	63A	4	6600
4,7	229	1,3	284,81	HA53	63A	4	6000
4,7	229	2,1	284,81	HA63	63A	4	8000
4,4	246	2,1	194,56	H053	63B	6	8000
4,3	253	1,2	200,27	HA53	63B	6	6000
4,3	253	2,0	200,27	HA63	63B	6	8000
4,2	259	1,2	205,07	H043	63B	6	6600
4,0	274	1,9	216,38	H053	63B	6	8000
3,8	288	1,1	227,50	H043	63B	6	6600
3,8	285	1,1	353,98	HA53	63A	4	6000
3,8	285	1,7	353,98	HA63	63A	4	8000
3,7	298	1,1	235,41	HA53	63B	6	6000
3,7	298	1,7	235,41	HA63	63B	6	8000
3,2	339	1,6	267,65	H053	63B	6	8000
3,0	360	0,9	284,81	HA53	63B	6	6000
3,0	360	1,4	284,81	HA63	63B	6	8000
2,4	448	1,1	353,98	HA63	63B	6	8000

0,15 kW

n2 [rpm]	M2 [Nm]	fs	i	Gear reducer	Size	Motor Pole	Fr2 [N]
255,0	6	3,8	3,18	HA31	63C	6	789
241,3	6	3,6	3,36	HA31	63C	6	804
209,5	7	3,3	3,87	HA31	63C	6	842
192,2	7	3,0	4,21	HA31	63C	6	867
170,5	8	2,8	4,75	HA31	63C	6	902
170,5	8	3,8	4,75	HA41	63C	6	912
158,8	9	2,7	5,10	HA31	63C	6	924
148,5	9	2,6	5,45	HA31	63C	6	945
148,5	9	3,3	5,45	HA41	63C	6	955
128,6	11	2,2	6,30	HA31	63C	6	991

5.1 H/HA GEARED MOTORS (50Hz)

0,15 kW

n2 [rpm]	M2 [Nm]	fs	i	Gear reducer	Size	Motor Pole	Fr2 [N]
102,9	14	1,7	7,88	HA31	63C	6	1068
102,9	14	1,9	7,88	HA41	63C	6	1080
102,9	14	3,1	7,88	HA51	63C	6	2975
74,8	19	1,1	10,83	HA41	63C	6	1100
74,8	19	1,4	10,83	HA51	63C	6	3000
61,1	23	3,7	13,25	HA32	63C	6	1777
49,1	28	3,0	16,49	HA32	63C	6	1911
40,0	35	2,7	20,26	HA32	63C	6	2000
33,0	42	2,1	24,55	HA32	63C	6	2000
33,0	42	3,9	24,55	HA42	63C	6	4300
26,5	52	1,6	30,55	HA32	63C	6	2000
26,5	52	2,8	30,55	HA42	63C	6	4300
22,9	61	1,6	35,44	HA32	63C	6	2000
22,9	61	2,6	35,44	HA42	63C	6	4300
18,4	76	1,2	44,10	HA32	63C	6	2000
18,4	76	1,9	44,10	HA42	63C	6	4300
16,6	84	1,0	48,75	HA32	63C	6	2000
16,6	84	1,4	48,75	HA42	63C	6	4300
16,3	84	3,8	49,80	HA53	63C	6	6000
15,8	86	1,2	51,32	HA33	63C	6	2000
15,8	86	1,8	51,32	HA43	63C	6	4300
15,1	90	2,3	53,59	H033	63C	6	5500
13,6	100	1,0	59,65	HA33	63C	6	2000
13,6	100	1,6	59,65	HA43	63C	6	4300
13,4	104	1,0	60,67	HA32	63C	6	2000
13,4	104	1,3	60,67	HA42	63C	6	4300
13,4	101	3,1	60,25	HA53	63C	6	6000
13,1	104	3,0	61,83	H043	63C	6	6600
12,1	112	1,9	66,78	H033	63C	6	5500
11,2	121	0,9	72,27	HA33	63C	6	2000
11,2	121	1,3	72,27	HA43	63C	6	4300
10,8	126	1,7	74,84	H033	63C	6	5500
10,8	126	2,5	74,88	HA53	63C	6	6000
10,6	129	2,4	76,67	H043	63C	6	6600
9,3	146	2,2	87,05	H043	63C	6	6600
9,2	148	2,1	88,02	HA53	63C	6	6000
9,2	148	3,4	88,02	HA63	63C	6	8000
9,0	151	1,0	89,94	HA43	63C	6	4300
8,9	152	3,5	90,51	H053	63C	6	8000
8,2	167	1,3	99,27	H033	63C	6	5500
7,5	181	1,2	108,05	H033	63C	6	5500
7,4	183	2,9	108,95	H053	63C	6	8000

5.1 H/HA GEARED MOTORS (50Hz)

0,15 kW

n2 [rpm]	M2 [Nm]	fs	i	Gear reducer	Size	Motor Pole	Fr2 [N]
7,3	186	0,8	110,51	HA43	63C	6	4300
7,3	187	1,7	111,61	HA53	63C	6	6000
7,3	187	2,7	111,61	HA63	63C	6	8000
7,1	192	1,6	114,55	H043	63C	6	6600
6,5	208	1,0	123,71	H033	63C	6	5500
6,4	211	1,5	125,69	H043	63C	6	6600
6,0	226	2,3	134,76	H053	63C	6	8000
5,8	233	1,4	138,71	HA53	63C	6	6000
5,8	233	2,2	138,71	HA63	63C	6	8000
5,7	238	1,3	142,04	H043	63C	6	6600
5,1	264	2,0	157,29	H053	63C	6	8000
5,0	274	1,2	163,05	HA53	63C	6	6000
5,0	274	1,8	163,05	HA63	63C	6	8000
4,9	278	1,1	165,38	H043	63C	6	6600
4,2	327	1,6	194,56	H053	63C	6	8000
4,0	336	0,9	200,27	HA53	63C	6	6000
4,0	336	1,5	200,27	HA63	63C	6	8000
3,9	344	0,9	205,07	H043	63C	6	6600
3,7	363	1,4	216,38	H053	63C	6	8000
3,4	395	1,3	235,41	HA63	63C	6	8000
3,0	449	1,2	267,65	H053	63C	6	8000
2,8	478	1,1	284,81	HA63	63C	6	8000
2,3	594	0,8	353,98	HA63	63C	6	8000

0,18 kW

n2 [rpm]	M2 [Nm]	fs	i	Gear reducer	Size	Motor Pole	Fr2 [N]
355,6	5	3,6	7,88	HA31	63A	2	706
315,6	5	4,0	4,21	HA31	63B	4	735
305,7	6	3,8	2,94	HA31	71A	6	743
283,3	6	3,5	3,18	HA31	71A	6	762
280,0	6	3,7	4,75	HA31	63B	4	765
268,1	6	3,3	3,36	HA31	71A	6	776
260,8	6	3,6	5,10	HA31	63B	4	783
258,5	6	1,7	10,83	HA31	63A	2	785
258,5	6	2,4	10,83	HA41	63A	2	794
258,5	6	3,0	10,83	HA51	63A	2	2188
243,8	7	3,4	5,45	HA31	63B	4	801
232,8	7	3,0	3,87	HA31	71A	6	813
213,6	8	2,8	4,21	HA31	71A	6	837
211,1	8	2,9	6,30	HA31	63B	4	840
189,5	9	2,6	4,75	HA31	71A	6	871

0,18 kW

n2 [rpm]	M2 [Nm]	fs	i	Gear reducer	Size	Motor Pole	Fr2 [N]
189,5	9	3,5	4,75	HA41	71A	6	881
176,5	10	2,5	5,10	HA31	71A	6	892
168,9	10	2,2	7,88	HA31	63B	4	905
168,9	10	2,5	7,88	HA41	63B	4	915
165,0	10	2,4	5,45	HA31	71A	6	912
165,0	10	3,1	5,45	HA41	71A	6	922
142,9	12	2,0	6,30	HA31	71A	6	957
122,8	14	1,0	10,83	HA31	63B	4	1007
122,8	14	1,5	10,83	HA41	63B	4	1018
122,8	14	1,8	10,83	HA51	63B	4	2805
117,4	14	3,7	7,67	HR041	71A	6	1000
114,3	15	1,6	7,88	HA31	71A	6	1031
114,3	15	1,8	7,88	HA41	71A	6	1042
114,3	15	2,9	7,88	HA51	71A	6	2873
102,9	16	3,5	8,75	HR041	71A	6	1000
91,7	17	3,5	30,55	HA32	63A	2	1552
83,1	20	1,0	10,83	HA41	71A	6	1100
83,1	20	1,3	10,83	HA51	71A	6	3000
80,7	20	3,9	16,49	HA32	63B	4	1620
79,0	20	3,3	35,44	HA32	63A	2	1631
67,9	25	3,4	13,25	HA32	71A	6	1716
65,6	25	3,6	20,26	HA32	63B	4	1735
63,5	25	2,7	44,10	HA32	63A	2	1755
57,4	28	2,2	48,75	HA32	63A	2	1814
57,4	28	3,1	48,75	HA42	63A	2	3819
54,6	31	2,8	16,49	HA32	71A	6	1845
54,6	29	2,6	51,32	HA33	63A	2	1846
54,6	29	3,9	51,32	HA43	63A	2	3885
54,2	30	2,8	24,55	HA32	63B	4	1850
46,9	33	2,3	59,65	HA33	63A	2	1940
46,9	33	3,4	59,65	HA43	63A	2	4085
46,2	35	2,1	60,67	HA32	63A	2	1951
46,2	35	2,8	60,67	HA42	63A	2	4108
44,4	38	2,5	20,26	HA32	71A	6	1976
43,5	38	2,1	30,55	HA32	63B	4	1990
43,5	38	3,7	30,55	HA42	63B	4	4189
38,7	40	1,9	72,27	HA33	63A	2	2000
38,7	40	2,8	72,27	HA43	63A	2	4300
37,5	44	2,0	35,44	HA32	63B	4	2000
37,5	44	3,4	35,44	HA42	63B	4	4300
37,4	42	3,6	74,84	H033	63A	2	5500
36,7	45	2,0	24,55	HA32	71A	6	2000

0,18 kW

n2 [rpm]	M2 [Nm]	fs	i	Gear reducer	Size	Motor Pole	Fr2 [N]
36,7	45	3,6	24,55	HA42	71A	6	4300
31,1	50	1,5	89,94	HA33	63A	2	2000
31,1	50	2,2	89,94	HA43	63A	2	4300
30,3	55	3,8	29,70	H032	71A	6	5500
30,2	55	1,6	44,10	HA32	63B	4	2000
30,2	55	2,6	44,10	HA42	63B	4	4300
29,5	57	1,5	30,55	HA32	71A	6	2000
29,5	57	2,6	30,55	HA42	71A	6	4300
28,2	55	2,7	99,27	H033	63A	2	5500
27,4	61	3,4	32,89	H032	71A	6	5500
27,3	60	1,3	48,75	HA32	63B	4	2000
27,3	60	1,9	48,75	HA42	63B	4	4300
25,9	60	2,5	108,05	H033	63A	2	5500
25,9	62	1,6	51,32	HA33	63B	4	2000
25,9	62	2,4	51,32	HA43	63B	4	4300
25,4	66	1,4	35,44	HA32	71A	6	2000
25,4	66	2,4	35,44	HA42	71A	6	4300
25,3	62	1,2	110,51	HA33	63A	2	2000
25,3	62	1,8	110,51	HA43	63A	2	4300
25,1	62	3,6	111,61	HA53	63A	2	6000
24,8	65	3,1	53,59	H033	63B	4	5500
24,4	64	3,5	114,55	H043	63A	2	6600
23,7	70	3,0	37,92	H032	71A	6	5500
22,6	69	2,2	123,71	H033	63A	2	5500
22,3	70	3,2	125,69	H043	63A	2	6600
22,3	72	1,4	59,65	HA33	63B	4	2000
22,3	72	2,1	59,65	HA43	63B	4	4300
21,9	75	1,3	60,67	HA32	63B	4	2000
21,9	75	1,7	60,67	HA42	63B	4	4300
21,7	77	2,7	41,40	H032	71A	6	5500
21,5	75	4,0	61,83	H043	63B	4	6600
20,9	75	1,0	133,88	HA33	63A	2	2000
20,9	75	1,5	133,88	HA43	63A	2	4300
20,6	81	3,6	43,75	H042	71A	6	6600
20,4	82	1,2	44,10	HA32	71A	6	2000
20,4	82	1,8	44,10	HA42	71A	6	4300
20,2	77	2,9	138,71	HA53	63A	2	6000
19,9	81	2,5	66,78	H033	63B	4	5500
19,7	79	2,8	142,04	H043	63A	2	6600
19,5	80	1,9	143,33	H033	63A	2	5500
19,0	88	2,4	47,25	H032	71A	6	5500
18,9	88	3,3	47,53	H042	71A	6	6600

0,18 kW

n2 [rpm]	M2 [Nm]	fs	i	Gear reducer	Size	Motor Pole	Fr2 [N]
18,5	90	0,9	48,75	HA32	71A	6	2000
18,5	90	1,3	48,75	HA42	71A	6	4300
18,4	88	1,1	72,27	HA33	63B	4	2000
18,4	88	1,7	72,27	HA43	63B	4	4300
18,1	90	3,5	49,80	HA53	71A	6	6000
17,8	91	2,2	74,84	H033	63B	4	5500
17,8	91	3,3	74,88	HA53	63B	4	6000
17,5	93	1,1	51,32	HA33	71A	6	2000
17,5	93	1,7	51,32	HA43	71A	6	4300
17,3	93	3,2	76,67	H043	63B	4	6600
17,2	91	2,5	163,05	HA53	63A	2	6000
17,2	91	4,0	163,05	HA63	63A	2	8000
16,9	92	2,4	165,38	H043	63A	2	6600
16,8	97	2,2	53,59	H033	71A	6	5500
16,8	93	1,2	166,61	HA43	63A	2	4300
16,6	100	2,9	54,25	H042	71A	6	6600
15,7	99	1,5	178,61	H033	63A	2	5500
15,3	106	2,8	87,05	H043	63B	4	6600
15,1	108	1,0	59,65	HA33	71A	6	2000
15,1	108	1,5	59,65	HA43	71A	6	4300
15,1	107	2,8	88,02	HA53	63B	4	6000
14,9	109	2,9	60,25	HA53	71A	6	6000
14,8	112	0,9	60,67	HA32	71A	6	2000
14,8	109	0,9	89,94	HA33	63B	4	2000
14,8	112	1,2	60,67	HA42	71A	6	4300
14,8	109	1,4	89,94	HA43	63B	4	4300
14,6	112	2,8	61,83	H043	71A	6	6600
14,5	108	1,0	193,30	HA43	63A	2	4300
14,4	108	3,5	194,56	H053	63A	2	8000
14,2	110	1,4	197,17	H033	63A	2	5500
14,0	112	2,0	200,27	HA53	63A	2	6000
14,0	112	3,2	200,27	HA63	63A	2	8000
13,7	114	2,0	205,07	H043	63A	2	6600
13,5	121	1,7	66,78	H033	71A	6	5500
13,4	121	1,7	99,27	H033	63B	4	5500
12,9	121	3,1	216,38	H053	63A	2	8000
12,5	131	0,8	72,27	HA33	71A	6	2000
12,5	131	1,2	72,27	HA43	71A	6	4300
12,4	132	4,0	72,75	H053	71A	6	8000
12,3	131	1,5	108,05	H033	63B	4	5500
12,3	127	1,8	227,50	H043	63A	2	6600
12,2	132	3,8	108,95	H053	63B	4	8000

5.1 H/HA GEARED MOTORS (50Hz)

0,18 kW

n2 [rpm]	M2 [Nm]	fs	i	Gear reducer	Size	Motor Pole	Fr2 [N]
12,0	136	1,5	74,84	H033	71A	6	5500
12,0	134	1,1	110,51	HA43	63B	4	4300
12,0	136	2,3	74,88	HA53	71A	6	6000
12,0	136	3,7	74,88	HA63	71A	6	8000
11,9	136	2,2	111,61	HA53	63B	4	6000
11,9	131	1,7	235,41	HA53	63A	2	6000
11,9	136	3,5	111,61	HA63	63B	4	8000
11,9	131	2,7	235,41	HA63	63A	2	8000
11,7	139	2,3	76,67	H043	71A	6	6600
11,6	139	2,2	114,55	H043	63B	4	6600
11,4	137	1,1	245,70	H033	63A	2	5500
10,8	150	1,3	123,71	H033	63B	4	5500
10,6	153	2,0	125,69	H043	63B	4	6600
10,5	149	2,5	267,65	H053	63A	2	8000
10,3	158	2,0	87,05	H043	71A	6	6600
10,2	160	2,0	88,02	HA53	71A	6	6000
10,2	160	3,2	88,02	HA63	71A	6	8000
10,0	163	1,0	89,94	HA43	71A	6	4300
9,9	157	1,4	282,10	H043	63A	2	6600
9,9	164	3,2	90,51	H053	71A	6	8000
9,9	164	3,1	134,76	H053	63B	4	8000
9,9	163	0,9	133,88	HA43	63B	4	4300
9,8	159	1,4	284,81	HA53	63A	2	6000
9,8	159	2,3	284,81	HA63	63A	2	8000
9,6	169	1,8	138,71	HA53	63B	4	6000
9,6	169	2,8	138,71	HA63	63B	4	8000
9,4	173	1,7	142,04	H043	63B	4	6600
9,3	174	1,1	143,33	H033	63B	4	5500
9,1	180	1,2	99,27	H033	71A	6	5500
8,5	191	2,6	157,29	H053	63B	4	8000
8,3	196	1,1	108,05	H033	71A	6	5500
8,3	198	2,7	108,95	H053	71A	6	8000
8,2	198	1,5	163,05	HA53	63B	4	6000
8,2	198	2,4	163,05	HA63	63B	4	8000
8,1	202	1,6	111,61	HA53	71A	6	6000
8,1	202	2,5	111,61	HA63	71A	6	8000
8,0	201	1,5	165,38	H043	63B	4	6600
7,9	208	1,5	114,55	H043	71A	6	6600
7,9	197	1,1	353,98	HA53	63A	2	6000
7,9	197	1,8	353,98	HA63	63A	2	8000
7,4	217	0,9	178,61	H033	63B	4	5500
7,3	224	0,9	123,71	H033	71A	6	5500

5.1 H/HA GEARED MOTORS (50Hz)

0,18 kW

n2 [rpm]	M2 [Nm]	fs	i	Gear reducer	Size	Motor Pole	Fr2 [N]
7,2	228	1,4	125,69	H043	71A	6	6600
6,8	236	2,1	194,56	H053	63B	4	8000
6,7	244	2,1	134,76	H053	71A	6	8000
6,6	246	3,6	135,40	H063	71A	6	12000
6,6	243	1,2	200,27	HA53	63B	4	6000
6,6	243	2,0	200,27	HA63	63B	4	8000
6,5	249	1,2	205,07	H043	63B	4	6600
6,5	252	1,3	138,71	HA53	71A	6	6000
6,5	252	2,0	138,71	HA63	71A	6	8000
6,3	258	1,2	142,04	H043	71A	6	6600
6,1	263	1,9	216,38	H053	63B	4	8000
6,0	271	3,3	149,51	H063	71A	6	12000
5,8	276	1,1	227,50	H043	63B	4	6600
5,7	285	1,8	157,29	H053	71A	6	8000
5,6	286	1,0	235,41	HA53	63B	4	6000
5,6	286	1,7	235,41	HA63	63B	4	8000
5,5	296	1,1	163,05	HA53	71A	6	6000
5,5	296	1,7	163,05	HA63	71A	6	8000
5,4	300	1,1	165,38	H043	71A	6	6600
5,3	309	2,9	170,67	H063	71A	6	12000
5,0	325	1,5	267,65	H053	63B	4	8000
4,8	338	2,6	186,18	H063	71A	6	12000
4,7	346	0,9	284,81	HA53	63B	4	6000
4,7	346	1,4	284,81	HA63	63B	4	8000
4,6	353	1,5	194,56	H053	71A	6	8000
4,5	363	0,9	200,27	HA53	71A	6	6000
4,5	363	1,4	200,27	HA63	71A	6	8000
4,2	392	1,3	216,38	H053	71A	6	8000
4,2	390	2,3	215,21	H063	71A	6	12000
3,8	426	2,1	234,67	H063	71A	6	12000
3,8	427	1,2	235,41	HA63	71A	6	8000
3,8	430	1,1	353,98	HA63	63B	4	8000
3,4	485	1,1	267,65	H053	71A	6	8000
3,4	486	1,8	268,00	H063	71A	6	12000
3,2	516	1,0	284,81	HA63	71A	6	8000

0,22 kW

n2 [rpm]	M2 [Nm]	fs	i	Gear reducer	Size	Motor Pole	Fr2 [N]
396,2	5	3,9	3,36	HA31	63C	4	681
344,0	6	3,5	3,87	HA31	63C	4	714
315,6	6	3,3	4,21	HA31	63C	4	735

5.1 H/HA GEARED MOTORS (50Hz)

0,22 kW

n2 [rpm]	M2 [Nm]	fs	i	Gear reducer	Size	Motor Pole	Fr2 [N]
280,0	7	3,0	4,75	HA31	63C	4	765
260,8	8	2,9	5,10	HA31	63C	4	783
243,8	8	2,8	5,45	HA31	63C	4	801
243,8	8	3,6	5,45	HA41	63C	4	810
211,1	10	2,4	6,30	HA31	63C	4	840
168,9	12	1,8	7,88	HA31	63C	4	905
168,9	12	2,1	7,88	HA41	63C	4	915
168,9	12	3,3	7,88	HA51	63C	4	2522
122,8	17	0,8	10,83	HA31	63C	4	1007
122,8	17	1,2	10,83	HA41	63C	4	1018
122,8	17	1,5	10,83	HA51	63C	4	2805
100,4	20	4,0	13,25	HA32	63C	4	1506
80,7	25	3,2	16,49	HA32	63C	4	1620
65,6	31	2,9	20,26	HA32	63C	4	1735
54,2	37	2,3	24,55	HA32	63C	4	1850
43,5	46	1,7	30,55	HA32	63C	4	1990
43,5	46	3,0	30,55	HA42	63C	4	4189
37,5	54	1,7	35,44	HA32	63C	4	2000
37,5	54	2,8	35,44	HA42	63C	4	4300
30,2	67	1,3	44,10	HA32	63C	4	2000
30,2	67	2,1	44,10	HA42	63C	4	4300
27,3	74	1,1	48,75	HA32	63C	4	2000
27,3	74	1,6	48,75	HA42	63C	4	4300
25,9	76	1,3	51,32	HA33	63C	4	2000
25,9	76	2,0	51,32	HA43	63C	4	4300
24,8	80	2,5	53,59	H033	63C	4	5500
22,3	89	1,1	59,65	HA33	63C	4	2000
22,3	89	1,7	59,65	HA43	63C	4	4300
22,1	89	3,4	60,25	HA53	63C	4	6000
21,9	92	1,0	60,67	HA32	63C	4	2000
21,9	92	1,4	60,67	HA42	63C	4	4300
21,5	92	3,3	61,83	H043	63C	4	6600
19,9	99	2,0	66,78	H033	63C	4	5500
18,4	107	0,9	72,27	HA33	63C	4	2000
18,4	107	1,4	72,27	HA43	63C	4	4300
17,8	111	1,8	74,84	H033	63C	4	5500
17,8	111	2,7	74,88	HA53	63C	4	6000
17,3	114	2,6	76,67	H043	63C	4	6600
15,3	129	2,3	87,05	H043	63C	4	6600
15,1	131	2,3	88,02	HA53	63C	4	6000
15,1	131	3,7	88,02	HA63	63C	4	8000
14,8	134	1,1	89,94	HA43	63C	4	4300

5.1 H/HA GEARED MOTORS (50Hz)

0,22 kW

n2 [rpm]	M2 [Nm]	fs	i	Gear reducer	Size	Motor Pole	Fr2 [N]
14,7	134	3,7	90,51	H053	63C	4	8000
13,4	147	1,4	99,27	H033	63C	4	5500
12,3	160	1,2	108,05	H033	63C	4	5500
12,2	162	3,1	108,95	H053	63C	4	8000
12,0	164	0,9	110,51	HA43	63C	4	4300
11,9	166	1,8	111,61	HA53	63C	4	6000
11,9	166	2,9	111,61	HA63	63C	4	8000
11,6	170	1,8	114,55	H043	63C	4	6600
10,8	184	1,1	123,71	H033	63C	4	5500
10,6	187	1,6	125,69	H043	63C	4	6600
9,9	200	2,5	134,76	H053	63C	4	8000
9,6	206	1,5	138,71	HA53	63C	4	6000
9,6	206	2,3	138,71	HA63	63C	4	8000
9,4	211	1,4	142,04	H043	63C	4	6600
9,3	213	0,9	143,33	H033	63C	4	5500
8,5	234	2,1	157,29	H053	63C	4	8000
8,2	242	1,2	163,05	HA53	63C	4	6000
8,2	242	2,0	163,05	HA63	63C	4	8000
8,0	246	1,2	165,38	H043	63C	4	6600
6,8	289	1,7	194,56	H053	63C	4	8000
6,6	297	1,0	200,27	HA53	63C	4	6000
6,6	297	1,6	200,27	HA63	63C	4	8000
6,5	305	1,0	205,07	H043	63C	4	6600
6,1	321	1,6	216,38	H053	63C	4	8000
5,6	350	0,9	235,41	HA53	63C	4	6000
5,6	350	1,4	235,41	HA63	63C	4	8000
5,0	397	1,3	267,65	H053	63C	4	8000
4,7	423	1,1	284,81	HA63	63C	4	8000
3,8	526	0,9	353,98	HA63	63C	4	8000

0,25 kW

n2 [rpm]	M2 [Nm]	fs	i	Gear reducer	Size	Motor Pole	Fr2 [N]
513,3	4	4,0	5,45	HA31	63B	2	625
448,3	5	3,9	2,94	HA31	63D	4	654
444,4	5	3,4	6,30	HA31	63B	2	656
415,6	6	3,6	3,18	HA31	63D/71A	4	670
393,2	6	3,4	3,36	HA31	63D/71A	4	683
355,6	6	2,6	7,88	HA31	63B	2	706
355,6	6	3,0	7,88	HA41	63B	2	714
352,9	7	3,0	2,55	HA31	71B	6	708
341,4	7	3,1	3,87	HA31	63D/71A	4	716

5.1 H/HA GEARED MOTORS (50Hz)

0,25 kW

n2 [rpm]	M2 [Nm]	fs	i	Gear reducer	Motor Size	Pole	Fr2 [N]
313,2	7	2,8	4,21	HA31	63D/71A	4	737
305,7	8	2,7	2,94	HA31	71B	6	743
305,7	8	3,4	2,94	HA41	71B	6	751
283,3	8	2,5	3,18	HA31	71B	6	762
277,9	8	2,6	4,75	HA31	63D/71A	4	767
277,9	8	3,6	4,75	HA41	63D/71A	4	775
268,1	9	2,4	3,36	HA31	71B	6	776
258,8	9	2,6	5,10	HA31	63D/71A	4	785
258,5	9	1,2	10,83	HA31	63B	2	785
258,5	9	1,7	10,83	HA41	63B	2	794
258,5	9	2,2	10,83	HA51	63B	2	2188
242,0	10	2,4	5,45	HA31	63D/71A	4	803
242,0	10	3,1	5,45	HA41	63D/71A	4	812
232,8	10	2,2	3,87	HA31	71B	6	813
213,6	11	2,0	4,21	HA31	71B	6	837
209,5	11	2,1	6,30	HA31	63D/71A	4	842
189,5	12	1,9	4,75	HA31	71B	6	871
189,5	12	2,6	4,75	HA41	71B	6	881
181,3	13	3,9	7,67	HR041	71A	4	1000
180,0	13	3,6	5,00	HR041	71B	6	1000
176,5	13	1,8	5,10	HA31	71B	6	892
167,6	14	1,6	7,88	HA31	63D/71A	4	907
167,6	14	1,8	7,88	HA41	63D/71A	4	918
167,6	14	2,9	7,88	HA51	63D/71A	4	2528
165,0	14	1,7	5,45	HA31	71B	6	912
165,0	14	2,2	5,45	HA41	71B	6	922
165,0	14	3,7	5,45	HA51	71B	6	2542
163,6	14	3,7	5,50	HR041	71B	6	1000
158,9	15	3,8	8,75	HR041	71A	4	1000
147,8	16	3,3	6,09	HR041	71B	6	1000
142,9	16	1,5	6,30	HA31	71B	6	957
121,8	19	1,1	10,83	HA41	63D/71A	4	1020
121,8	19	1,3	10,83	HA51	63D/71A	4	2812
117,4	20	2,6	7,67	HR041	71B	6	1000
114,3	20	1,1	7,88	HA31	71B	6	1031
114,3	20	1,3	7,88	HA41	71B	6	1042
114,3	20	2,1	7,88	HA51	71B	6	2873
114,1	19	3,3	24,55	HA32	63B	2	1443
111,0	21	3,8	8,11	HA32	71B	6	1457
102,9	23	2,5	8,75	HR041	71B	6	1000
99,6	23	3,5	13,25	HA32	63D/71A	4	1510
91,7	24	2,5	30,55	HA32	63B	2	1552

0,25 kW

n2 [rpm]	M2 [Nm]	fs	i	Gear reducer	Motor Size	Pole	Fr2 [N]
83,1	28	0,9	10,83	HA51	71B	6	3000
82,3	28	3,4	10,94	HA32	71B	6	1609
80,1	29	2,8	16,49	HA32	63D/71A	4	1624
79,0	28	2,4	35,44	HA32	63B	2	1631
67,9	34	2,5	13,25	HA32	71B	6	1716
65,2	35	2,6	20,26	HA32	63D/71A	4	1740
63,5	35	1,9	44,10	HA32	63B	2	1755
63,5	35	3,0	44,10	HA42	63B	2	3694
57,4	39	1,6	48,75	HA32	63B	2	1814
57,4	39	2,2	48,75	HA42	63B	2	3819
54,6	42	2,0	16,49	HA32	71B	6	1845
54,6	40	1,9	51,32	HA33	63B	2	1846
54,6	42	3,5	16,49	HA42	71B	6	3885
54,6	40	2,8	51,32	HA43	63B	2	3885
53,8	43	2,0	24,55	HA32	63D/71A	4	1854
53,8	43	3,6	24,55	HA42	63D/71A	4	3904
52,2	41	3,6	53,59	H033	63B	2	5500
46,9	46	1,6	59,65	HA33	63B	2	1940
46,9	46	2,4	59,65	HA43	63B	2	4085
46,2	48	1,5	60,67	HA32	63B	2	1951
46,2	48	2,0	60,67	HA42	63B	2	4108
44,4	52	1,8	20,26	HA32	71B	6	1976
44,4	52	3,0	20,26	HA42	71B	6	4161
43,2	53	1,5	30,55	HA32	63D/71A	4	1995
43,2	53	2,6	30,55	HA42	63D/71A	4	4199
42,3	54	3,7	32,89	H032	71A	4	5500
41,9	52	2,9	66,78	H033	63B	2	5500
39,7	58	3,6	22,68	H032	71B	6	5500
38,7	56	1,3	72,27	HA33	63B	2	2000
38,7	56	2,0	72,27	HA43	63B	2	4300
37,8	61	3,4	23,83	H032	71B	6	5500
37,4	58	2,6	74,84	H033	63B	2	5500
37,4	58	3,9	74,88	HA53	63B	2	5508
37,2	62	1,5	35,44	HA32	63D/71A	4	2000
37,2	62	2,4	35,44	HA42	63D/71A	4	4300
36,7	63	3,2	37,92	H032	71A	4	5500
36,7	63	1,4	24,55	HA32	71B	6	2000
36,7	63	2,6	24,55	HA42	71B	6	4300
36,5	59	3,8	76,67	H043	63B	2	6600
34,1	68	3,1	26,39	H032	71B	6	5500
33,6	68	2,9	41,40	H032	71A	4	5500
32,2	67	3,3	87,05	H043	63B	2	6600

0,25 kW

n2 [rpm]	M2 [Nm]	fs	i	Gear reducer	Motor Size	Pole	Fr2 [N]
31,8	72	3,9	43,75	H042	71A	4	6600
31,8	68	3,3	88,02	HA53	63B	2	5813
31,1	70	1,1	89,94	HA33	63B	2	2000
31,1	70	1,6	89,94	HA43	63B	2	4300
30,3	76	2,7	29,70	H032	71B	6	5500
29,9	77	1,2	44,10	HA32	63D/71A	4	2000
29,9	77	1,8	44,10	HA42	63D/71A	4	4300
29,6	78	3,8	30,45	H042	71B	6	6600
29,5	79	1,1	30,55	HA32	71B	6	2000
29,5	79	1,9	30,55	HA42	71B	6	4300
29,4	78	2,6	47,25	H032	71A	4	5500
29,2	78	3,6	47,53	H042	71A	4	6600
28,2	77	2,0	99,27	H033	63B	2	5500
27,4	85	2,5	32,89	H032	71B	6	5500
27,1	85	0,9	48,75	HA32	63D/71A	4	2000
27,1	85	1,4	48,75	HA42	63D/71A	4	4300
26,5	85	3,5	49,80	HA53	63D/71A	4	6000
26,4	88	3,4	34,10	H042	71B	6	6600
25,9	84	1,8	108,05	H033	63B	2	5500
25,7	87	1,1	51,32	HA33	63D/71A	4	2000
25,7	87	1,7	51,32	HA43	63D/71A	4	4300
25,6	89	3,1	54,25	H042	71A	4	6600
25,4	91	1,0	35,44	HA32	71B	6	2000
25,4	91	1,7	35,44	HA42	71B	6	4300
25,3	85	1,3	110,51	HA43	63B	2	4300
25,1	86	2,6	111,61	HA53	63B	2	6000
24,6	91	2,2	53,59	H033	63D/71A	4	5500
24,4	89	2,5	114,55	H043	63B	2	6600
23,8	97	3,0	37,76	H042	71B	6	6600
23,7	98	2,2	37,92	H032	71B	6	5500
22,6	96	1,6	123,71	H033	63B	2	5500
22,3	97	2,3	125,69	H043	63B	2	6600
22,1	101	1,0	59,65	HA33	63D/71A	4	2000
22,1	101	1,5	59,65	HA43	63D/71A	4	4300
21,9	102	2,9	60,25	HA53	63D/71A	4	6000
21,8	105	0,9	60,67	HA32	63D/71A	4	2000
21,8	105	1,2	60,67	HA42	63D/71A	4	4300
21,7	106	2,0	41,40	H032	71B	6	5500
21,3	105	2,9	61,83	H043	63D/71A	4	6600
20,9	104	1,1	133,88	HA43	63B	2	4300
20,8	104	3,6	134,76	H053	63B	2	8000
20,6	113	2,6	43,75	H042	71B	6	6600

0,25 kW

n2 [rpm]	M2 [Nm]	fs	i	Gear reducer	Motor Size	Pole	Fr2 [N]
20,4	113	0,8	44,10	HA32	71B	6	2000
20,4	113	1,3	44,10	HA42	71B	6	4300
20,2	107	2,1	138,71	HA53	63B	2	6000
20,2	107	3,4	138,71	HA63	63B	2	8000
19,8	114	1,8	66,78	H033	63D/71A	4	5500
19,7	110	2,0	142,04	H043	63B	2	6600
19,5	111	1,4	143,33	H033	63B	2	5500
19,0	122	1,7	47,25	H032	71B	6	5500
18,9	122	2,4	47,53	H042	71B	6	6600
18,5	125	1,0	48,75	HA42	71B	6	4300
18,3	123	0,8	72,27	HA33	63D/71A	4	2000
18,3	123	1,2	72,27	HA43	63D/71A	4	4300
18,1	125	2,5	49,80	HA53	71B	6	6000
17,8	122	3,1	157,29	H053	63B	2	8000
17,6	127	1,6	74,84	H033	63D/71A	4	5500
17,6	127	2,4	74,88	HA53	63D/71A	4	6000
17,6	127	3,8	74,88	HA63	63D/71A	4	8000
17,5	129	0,8	51,32	HA33	71B	6	2000
17,5	129	1,2	51,32	HA43	71B	6	4300
17,2	130	2,3	76,67	H043	63D/71A	4	6600
17,2	126	1,8	163,05	HA53	63B	2	6000
17,2	126	2,9	163,05	HA63	63B	2	8000
16,9	128	1,8	165,38	H043	63B	2	6600
16,8	135	1,6	53,59	H033	71B	6	5500
16,6	140	2,1	54,25	H042	71B	6	6600
16,0	144	3,6	56,11	H052	71B	6	8000
15,7	138	1,1	178,61	H033	63B	2	5500
15,3	148	3,5	58,81	H053	71B	6	8000
15,2	148	2,0	87,05	H043	63D/71A	4	6600
15,1	150	1,0	59,65	HA43	71B	6	4300
15,0	150	2,0	88,02	HA53	63D/71A	4	6000
15,0	150	3,2	88,02	HA63	63D/71A	4	8000
14,9	152	2,1	60,25	HA53	71B	6	6000
14,9	152	3,3	60,25	HA63	71B	6	8000
14,8	156	0,9	60,67	HA42	71B	6	4300
14,7	153	1,0	89,94	HA43	63D/71A	4	4300
14,6	156	2,0	61,83	H043	71B	6	6600
14,6	154	3,2	90,51	H053	63D/71A	4	8000
14,4	150	2,5	194,56	H053	63B	2	8000
14,0	155	1,5	200,27	HA53	63B	2	6000
14,0	155	2,3	200,27	HA63	63B	2	8000
13,7	159	1,4	205,07	H043	63B	2	6600

0,25 kW

n2 [rpm]	M2 [Nm]	fs	i	Gear reducer	Motor Size	Pole	Fr2 [N]
13,5	168	1,2	66,78	H033	71B	6	5500
13,3	169	1,2	99,27	H033	63D/71A	4	5500
12,9	167	2,2	216,38	H053	63B	2	8000
12,6	178	0,8	110,51	HA43	71A	4	4300
12,5	182	0,9	72,27	HA43	71B	6	4300
12,4	183	2,9	72,75	H053	71B	6	8000
12,3	176	1,3	227,50	H043	63B	2	6600
12,2	184	1,1	108,05	H033	63D/71A	4	5500
12,1	185	2,7	108,95	H053	63D/71A	4	8000
12,0	188	1,1	74,84	H033	71B	6	5500
12,0	189	1,7	74,88	HA53	71B	6	6000
12,0	189	2,7	74,88	HA63	71B	6	8000
11,9	182	1,2	235,41	HA53	63B	2	6000
11,9	182	2,0	235,41	HA63	63B	2	8000
11,8	190	1,6	111,61	HA53	63D/71A	4	6000
11,8	190	2,5	111,61	HA63	63D/71A	4	8000
11,7	193	1,6	76,67	H043	71B	6	6600
11,5	195	1,5	114,55	H043	63D/71A	4	6600
10,7	210	1,0	123,71	H033	63D/71A	4	5500
10,5	214	1,4	125,69	H043	63D/71A	4	6600
10,5	207	1,8	267,65	H053	63B	2	8000
10,3	219	1,4	87,05	H043	71B	6	6600
10,3	219	3,9	135,40	H063	71A	4	12000
10,2	222	1,4	88,02	HA53	71B	6	6000
10,2	222	2,3	88,02	HA63	71B	6	8000
9,9	218	1,0	282,10	H043	63B	2	6600
9,9	228	2,3	90,51	H053	71B	6	8000
9,8	229	2,2	134,76	H053	63D/71A	4	8000
9,8	220	1,0	284,81	HA53	63B	2	6000
9,8	220	1,6	284,81	HA63	63B	2	8000
9,5	239	3,7	94,76	H063	71B	6	12000
9,5	236	1,3	138,71	HA53	63D/71A	4	6000
9,5	236	2,0	138,71	HA63	63D/71A	4	8000
9,3	241	1,2	142,04	H043	63D/71A	4	6600
9,3	241	3,5	149,51	H063	71A	4	12000
8,4	267	1,9	157,29	H053	63D/71A	4	8000
8,3	274	1,9	108,95	H053	71B	6	8000
8,1	276	3,1	170,67	H063	71A	4	12000
8,1	281	1,1	111,61	HA53	71B	6	6000
8,1	277	1,1	163,05	HA53	63D/71A	4	6000
8,1	281	1,8	111,61	HA63	71B	6	8000
8,1	277	1,7	163,05	HA63	63D/71A	4	8000

0,25 kW

n2 [rpm]	M2 [Nm]	fs	i	Gear reducer	Motor Size	Pole	Fr2 [N]
8,0	281	1,1	165,38	H043	63D/71A	4	6600
7,9	288	1,1	114,55	H043	71B	6	6600
7,9	274	1,3	353,98	HA63	63B	2	8000
7,6	297	3,0	118,00	H063	71B	6	12000
7,5	301	2,8	186,18	H063	71A	4	12000
7,2	317	1,0	125,69	H043	71B	6	6600
6,8	331	0,9	205,07	H043	71A	4	6600
6,8	331	1,5	194,56	H053	63D/71A	4	8000
6,7	339	1,5	134,76	H053	71B	6	8000
6,6	341	2,6	135,40	H063	71B	6	12000
6,6	340	0,9	200,27	HA53	63D/71A	4	6000
6,6	340	1,4	200,27	HA63	63D/71A	4	8000
6,5	347	2,4	215,21	H063	71A	4	12000
6,5	349	0,9	138,71	HA53	71B	6	6000
6,5	349	1,4	138,71	HA63	71B	6	8000
6,1	368	1,4	216,38	H053	63D/71A	4	8000
6,0	377	2,4	149,51	H063	71B	6	12000
5,9	379	2,2	234,67	H063	71A	4	12000
5,7	396	1,3	157,29	H053	71B	6	8000
5,6	400	1,2	235,41	HA63	63D/71A	4	8000
5,5	411	0,8	163,05	HA53	71B	6	6000
5,5	411	1,2	163,05	HA63	71B	6	8000
5,3	430	2,1	170,67	H063	71B	6	12000
5,2	433	2,0	268,00	H063	71A	4	12000
4,9	455	1,1	267,65	H053	63D/71A	4	8000
4,8	469	1,9	186,18	H063	71B	6	12000
4,6	490	1,1	194,56	H053	71B	6	8000
4,6	484	1,0	284,81	HA63	63D/71A	4	8000
4,5	504	1,0	200,27	HA63	71B	6	8000
4,2	545	1,0	216,38	H053	71B	6	8000
4,2	542	1,6	215,21	H063	71B	6	12000
3,9	572	0,8	353,98	HA63	71A	4	8000
3,8	591	1,5	234,67	H063	71B	6	12000
3,8	593	0,9	235,41	HA63	71B	6	8000
3,4	675	1,3	268,00	H063	71B	6	12000

0,37 kW

n2 [rpm]	M2 [Nm]	fs	i	Gear reducer	Motor Size	Pole	Fr2 [N]
878,3	4	4,0	3,18	HA31	63C	2	522
831,1	4	3,8	3,36	HA31	63C/71A	2	532
721,6	5	3,4	3,87	HA31	63C/71A	2	558

0,37 kW

n2 [rpm]	M2 [Nm]	fs	i	Gear reducer	Motor Size	Pole	Fr2 [N]
662,0	5	3,2	4,21	HA31	63C/71A	2	574
587,4	6	2,9	4,75	HA31	63C/71A	2	597
587,4	6	4,0	4,75	HA41	63C	2	604
547,1	6	2,9	5,10	HA31	63C/71A	2	612
541,2	6	3,0	2,55	HA31	71B	4	614
511,5	6	2,7	5,45	HA31	63C/71A	2	626
511,5	6	3,5	5,45	HA41	63C/71A	2	633
468,7	7	2,7	2,94	HA31	71B	4	644
468,7	7	3,4	2,94	HA41	71B	4	651
442,9	7	2,3	6,30	HA31	63C/71A	2	656
440,0	8	3,7	2,00	HR041	71C/80A	6	948
434,4	8	2,5	3,18	HA31	71B	4	661
411,1	8	2,4	3,36	HA31	71B	4	673
356,9	10	2,2	3,87	HA31	71B	4	705
354,3	9	1,8	7,88	HA31	63C/71A	2	707
354,3	9	2,0	7,88	HA41	63C/71A	2	715
354,3	9	3,2	7,88	HA51	63C/71A	2	1970
345,7	10	3,6	2,55	HR041	71C/80A	6	1000
345,1	10	2,0	2,55	HA31	71C/80A	6	713
327,5	10	2,0	4,21	HA31	71B	4	726
324,2	11	3,3	2,71	HR041	71C/80A	6	1000
298,9	12	1,8	2,94	HA31	71C/80A	6	748
298,9	12	2,3	2,94	HA41	71C/80A	6	757
298,9	12	3,6	2,94	HA51	71C/80A	6	2085
290,5	12	1,9	4,75	HA31	71B	4	755
290,5	12	2,5	4,75	HA41	71B	4	764
283,4	12	3,8	3,11	HR041	71C	6	1000
277,0	12	1,7	3,18	HA31	71C/80A	6	767
276,0	12	3,6	5,00	HR041	71B	4	1000
270,6	13	1,8	5,10	HA31	71B	4	773
262,1	13	1,6	3,36	HA31	71C/80A	6	782
257,5	13	1,2	10,83	HA41	63C/71A	2	795
257,5	13	1,5	10,83	HA51	63C/71A	2	2191
253,0	14	1,7	5,45	HA31	71B	4	791
253,0	14	2,2	5,45	HA41	71B	4	800
253,0	14	3,7	5,45	HA51	71B	4	2204
250,9	14	3,7	5,50	HR041	71B	4	1000
245,2	14	3,3	3,59	HR041	71C/80A	6	1000
227,6	15	1,4	3,87	HA31	71C/80A	6	819
226,6	15	3,3	6,09	HR041	71B	4	1000
219,0	16	1,5	6,30	HA31	71B	4	830
210,6	16	3,9	13,25	HA32	63C/71A	2	1177

0,37 kW

n ₂ [rpm]	M ₂ [Nm]	f _s	i	Gear reducer	Motor Size	Pole	Fr ₂ [N]
209,5	17	2,9	4,20	HR041	71C/80A	6	1000
208,8	17	1,3	4,21	HA31	71C/80A	6	843
185,3	19	1,2	4,75	HA31	71C/80A	6	878
185,3	19	1,7	4,75	HA41	71C/80A	6	887
185,3	19	2,8	4,75	HA51	71C/80A	6	2445
180,0	19	2,6	7,67	HR041	71B	4	1000
176,0	20	2,4	5,00	HR041	71C/80A	6	1000
175,2	20	1,1	7,88	HA31	71B	4	894
175,2	20	1,3	7,88	HA41	71B	4	904
175,2	20	2,0	7,88	HA51	71B	4	2491
172,5	20	1,2	5,10	HA31	71C	6	899
170,2	20	3,8	8,11	HA32	71B	4	1263
169,2	19	3,1	16,49	HA32	63C/71A	2	1266
161,3	21	1,1	5,45	HA31	71C	6	919
161,3	21	1,5	5,45	HA41	71C/80A	6	929
161,3	21	2,4	5,45	HA51	71C/80A	6	2561
160,0	22	2,4	5,50	HR041	71C/80A	6	1000
157,7	22	2,5	8,75	HR041	71B	4	1000
144,5	24	2,2	6,09	HR041	71C/80A	6	1000
139,7	25	1,0	6,30	HA31	71C	6	964
137,7	24	2,8	20,26	HA32	63C/71A	2	1355
135,0	25	3,3	6,52	HA32	71C/80A	6	1364
127,4	27	0,9	10,83	HA51	71B	4	2771
126,2	27	3,3	10,94	HA32	71B	4	1396
121,3	29	3,3	7,75	HA61	80A	6	4215
120,0	29	3,6	7,33	HR051	71C/80A	6	2500
114,8	30	1,7	7,67	HR041	71C/80A	6	1000
113,7	29	2,2	24,55	HA32	63C/71A	2	1445
111,7	31	0,8	7,88	HA41	71C	6	1050
111,7	31	1,4	7,88	HA51	71C	6	2894
108,5	32	2,5	8,11	HA32	71C/80A	6	1468
105,1	33	3,2	8,38	HR051	71C/80A	6	2500
104,2	33	2,5	13,25	HA32	71B	4	1488
100,6	34	1,7	8,75	HR041	71C/80A	6	1000
99,2	35	4,0	8,87	H032	71C	6	5404
91,3	36	1,7	30,55	HA32	63C/71A	2	1554
91,3	36	2,9	30,55	HA42	63C/71A	2	3272
88,1	39	1,9	10,67	HA61	80A	6	4500
86,8	39	3,7	10,14	H032	71C/80A	6	5500
85,7	38	3,9	32,89	H032	71A	2	5500
83,7	41	2,0	16,49	HA32	71B	4	1600
83,7	41	3,5	16,49	HA42	71B	4	3369

0,37 kW

n2 [rpm]	M2 [Nm]	fs	i	Gear reducer	Motor Size	Pole	Fr2 [N]
80,5	43	2,2	10,94	HA32	71C/80A	6	1621
80,5	43	3,7	10,94	HA42	71C/80A	6	3413
78,7	42	1,6	35,44	HA32	63C/71A	2	1633
78,7	42	2,7	35,44	HA42	63C/71A	2	3438
74,8	46	3,3	11,76	H032	71C/80A	6	5500
74,4	44	3,4	37,92	H032	71A	2	5500
68,1	48	3,1	41,40	H032	71A	2	5500
68,1	50	1,8	20,26	HA32	71B	4	1714
68,1	50	3,0	20,26	HA42	71B	4	3608
66,4	52	1,6	13,25	HA32	71C/80A	6	1728
66,4	52	2,8	13,25	HA42	71C/80A	6	3639
64,1	53	3,3	13,72	H032	71C/80A	6	5500
63,3	52	1,3	44,10	HA32	63C/71A	2	1757
63,3	52	2,0	44,10	HA42	63C/71A	2	3698
60,8	56	3,6	22,68	H032	71B	4	5500
60,0	57	3,1	14,66	H032	71C/80A	6	5500
59,7	55	2,7	47,25	H032	71A	2	5500
59,3	55	3,8	47,53	H042	71A	2	6600
57,9	59	3,4	23,83	H032	71B	4	5500
57,2	57	1,0	48,75	HA32	63C/71A	2	1816
57,2	57	1,5	48,75	HA42	63C/71A	2	3824
56,2	60	1,4	24,55	HA32	71B	4	1827
56,2	60	2,6	24,55	HA42	71B	4	3847
56,0	57	3,9	49,80	HA53	63C/71A	2	4814
54,4	59	1,3	51,32	HA33	63C/71A	2	1848
54,4	59	1,9	51,32	HA43	63C/71A	2	3890
53,4	64	1,3	16,49	HA32	71C/80A	6	1859
53,4	64	2,3	16,49	HA42	71C/80A	6	3914
52,5	65	3,1	16,77	H032	71C/80A	6	5500
52,3	65	3,1	26,39	H032	71B	4	5500
52,1	62	2,4	53,59	H033	63C/71A	2	5500
52,0	63	3,3	54,25	H042	71A	2	6600
48,4	71	3,0	18,20	H032	71C/80A	6	5500
46,8	69	1,1	59,65	HA33	63C/71A	2	1943
46,8	69	1,6	59,65	HA43	63C/71A	2	4090
46,5	73	2,7	29,70	H032	71B	4	5500
46,3	74	3,5	19,00	H042	71C/80A	6	6600
46,3	69	3,3	60,25	HA53	63C/71A	2	5129
46,0	71	1,0	60,67	HA32	63C/71A	2	1954
46,0	71	1,4	60,67	HA42	63C/71A	2	4113
45,3	75	3,7	30,45	H042	71B	4	6600
45,2	75	1,1	30,55	HA32	71B	4	1965

5.1 H/HA GEARED MOTORS (50Hz)

0,37 kW

n2 [rpm]	M2 [Nm]	fs	i	Gear reducer	Motor Size	Pole	Fr2 [N]
45,2	75	1,9	30,55	HA42	71B	4	4138
45,1	71	3,2	61,83	H043	63C/71A	2	6600
44,2	77	2,7	19,90	H032	71C/80A	6	5500
43,4	79	1,2	20,26	HA32	71C/80A	6	1991
43,4	79	2,0	20,26	HA42	71C/80A	6	4192
42,0	81	2,5	32,89	H032	71B	4	5500
41,9	82	3,2	21,00	H042	71C/80A	6	6600
41,8	77	2,0	66,78	H033	63C/71A	2	5500
40,5	84	3,3	34,10	H042	71B	4	6600
38,9	87	1,0	35,44	HA32	71B	4	2000
38,9	87	1,7	35,44	HA42	71B	4	4300
38,8	88	2,4	22,68	H032	71C/80A	6	5500
38,6	83	1,4	72,27	HA43	63C/71A	2	4300
38,0	90	3,0	23,15	H042	71C/80A	6	6600
37,3	86	1,7	74,84	H033	63C/71A	2	5500
37,3	86	2,6	74,88	HA53	63C/71A	2	5515
37,0	93	3,2	25,43	HA52	80A	6	5530
36,9	93	2,3	23,83	H032	71C/80A	6	5500
36,5	93	3,0	37,76	H042	71B	4	6600
36,4	93	2,1	37,92	H032	71B	4	5500
36,4	88	2,6	76,67	H043	63C/71A	2	6600
35,9	96	0,9	24,55	HA32	71C/80A	6	2000
35,9	96	1,7	24,55	HA42	71C/80A	6	4300
33,8	101	2,7	26,04	H042	71C/80A	6	6600
33,3	103	2,0	26,39	H032	71C/80A	6	5500
33,3	102	2,0	41,40	H032	71B	4	5500
32,0	107	2,7	27,50	H042	71C/80A	6	6600
32,0	100	2,2	87,05	H043	63C/71A	2	6600
31,7	101	2,2	88,02	HA53	63C/71A	2	5820
31,7	101	3,6	88,02	HA63	63C/71A	2	8000
31,5	108	2,6	43,75	H042	71B	4	6600
31,4	109	2,9	29,89	HA52	80A	6	5836
31,3	108	0,8	44,10	HA32	71B	4	2000
31,3	108	1,3	44,10	HA42	71B	4	4300
31,0	103	1,1	89,94	HA43	63C/71A	2	4300
30,8	104	3,6	90,51	H053	63C/71A	2	8000
29,6	116	1,8	29,70	H032	71C/80A	6	5500
29,2	116	1,7	47,25	H032	71B	4	5500
29,0	117	2,4	47,53	H042	71B	4	6600
28,9	119	2,5	30,45	H042	71C/80A	6	6600
28,8	119	1,2	30,55	HA42	71C/80A	6	4300
28,3	120	1,0	48,75	HA42	71B	4	4300

0,37 kW

n2 [rpm]	M2 [Nm]	fs	i	Gear reducer	Motor Size	Pole	Fr2 [N]
28,1	114	1,3	99,27	H033	63C/71A	2	5500
27,7	120	2,5	49,80	HA53	71B	4	6000
26,9	124	0,8	51,32	HA33	71B	4	2000
26,9	124	1,2	51,32	HA43	71B	4	4300
26,8	128	1,6	32,89	H032	71C/80A	6	5500
26,0	132	2,4	36,17	HA52	80A	6	6000
26,0	132	3,7	36,17	HA62	80A	6	8000
25,8	129	1,6	53,59	H033	71B	4	5500
25,8	124	1,2	108,05	H033	63C/71A	2	5500
25,8	133	2,2	34,10	H042	71C/80A	6	6600
25,6	125	3,0	108,95	H053	63C/71A	2	8000
25,4	133	2,1	54,25	H042	71B	4	6600
25,0	128	1,8	111,61	HA53	63C/71A	2	6000
25,0	128	2,8	111,61	HA63	63C/71A	2	8000
24,8	138	1,1	35,44	HA42	71C	6	4300
24,6	138	3,6	56,11	H052	71B	4	8000
24,4	132	1,7	114,55	H043	63C/71A	2	6600
23,5	142	3,5	58,81	H053	71B	4	8000
23,3	147	2,0	37,76	H042	71C/80A	6	6600
23,2	148	1,4	37,92	H032	71C/80A	6	5500
23,1	144	1,0	59,65	HA43	71B	4	4300
22,9	145	2,1	60,25	HA53	71B	4	6000
22,9	145	3,3	60,25	HA63	71B	4	8000
22,7	149	0,9	60,67	HA42	71B	4	4300
22,6	142	1,1	123,71	H033	63C/71A	2	5500
22,6	152	3,4	38,98	H052	71C/80A	6	8000
22,3	149	2,0	61,83	H043	71B	4	6600
22,2	144	1,6	125,69	H043	63C/71A	2	6600
21,3	161	1,3	41,40	H032	71C/80A	6	5500
20,9	164	1,8	44,95	HA52	80A	6	6000
20,9	164	2,8	44,95	HA62	80A	6	8000
20,7	161	1,2	66,78	H033	71B	4	5500
20,7	155	2,4	134,76	H053	63C/71A	2	8000
20,1	170	1,7	43,75	H042	71C/80A	6	6600
20,1	159	1,4	138,71	HA53	63C/71A	2	6000
20,1	159	2,3	138,71	HA63	63C/71A	2	8000
20,0	172	0,9	44,10	HA42	71C	6	4300
19,6	163	1,4	142,04	H043	63C/71A	2	6600
19,4	177	2,9	45,36	H052	71C/80A	6	8000
19,1	174	0,9	72,27	HA43	71B	4	4300
19,0	175	2,9	72,75	H053	71B	4	8000
18,9	170	3,8	149,51	H063	71A	2	12000

5.1 H/HA GEARED MOTORS (50Hz)

0,37 kW

n2 [rpm]	M2 [Nm]	fs	i	Gear reducer	Motor Size	Pole	Fr2 [N]
18,9	181	1,7	49,78	HA52	80A	6	6000
18,9	181	2,1	49,78	HA62	80A	6	8000
18,6	184	1,1	47,25	H032	71C/80A	6	5500
18,5	185	1,6	47,53	H042	71C/80A	6	6600
18,4	180	1,1	74,84	H033	71B	4	5500
18,4	180	1,7	74,88	HA53	71B	4	6000
18,4	180	2,7	74,88	HA63	71B	4	8000
18,0	185	1,6	76,67	H043	71B	4	6600
17,9	191	2,7	49,13	H052	71C/80A	6	8000
17,7	181	2,1	157,29	H053	63C/71A	2	8000
17,7	190	1,7	49,80	HA53	71C/80A	6	6000
17,7	190	2,7	49,80	HA63	71C/80A	6	8000
17,1	196	0,8	51,32	HA43	71C	6	4300
17,1	187	1,2	163,05	HA53	63C/71A	2	6000
17,1	187	1,9	163,05	HA63	63C/71A	2	8000
16,9	190	1,2	165,38	H043	63C/71A	2	6600
16,5	194	3,3	170,67	H063	71A	2	12000
16,4	204	1,0	53,59	H033	71C/80A	6	5500
16,2	211	1,4	54,25	H042	71C/80A	6	6600
15,9	210	1,4	87,05	H043	71B	4	6600
15,7	218	2,4	56,11	H052	71C/80A	6	8000
15,7	212	1,4	88,02	HA53	71B	4	6000
15,7	212	2,3	88,02	HA63	71B	4	8000
15,2	218	2,3	90,51	H053	71B	4	8000
15,2	225	1,4	61,87	HA52	80A	6	6000
15,2	225	2,0	61,87	HA62	80A	6	8000
15,1	212	3,0	186,18	H063	71A	2	12000
15,0	224	2,3	58,81	H053	71C/80A	6	8000
14,6	228	3,7	94,76	H063	71B	4	12000
14,6	230	1,4	60,25	HA53	71C/80A	6	6000
14,6	230	2,2	60,25	HA63	71C/80A	6	8000
14,3	224	1,7	194,56	H053	63C/71A	2	8000
14,2	236	1,3	61,83	H043	71C/80A	6	6600
13,9	230	1,6	200,27	HA63	63C/71A	2	8000
13,1	245	2,6	215,21	H063	71A	2	12000
12,9	249	1,5	216,38	H053	63C/71A	2	8000
12,7	262	1,9	108,95	H053	71B	4	8000
12,4	269	1,1	111,61	HA53	71B	4	6000
12,4	269	1,8	111,61	HA63	71B	4	8000
12,1	277	1,9	72,75	H053	71C/80A	6	8000
12,0	276	1,1	114,55	H043	71B	4	6600
12,0	267	2,4	234,67	H063	71A	2	12000

5.1 H/HA GEARED MOTORS (50Hz)

0,37 kW

n2 [rpm]	M2 [Nm]	fs	i	Gear reducer	Motor Size	Pole	Fr2 [N]
11,9	270	1,3	235,41	HA63	63C/71A	2	8000
11,8	285	1,1	74,88	HA53	71C/80A	6	6000
11,8	285	1,8	74,88	HA63	71C/80A	6	8000
11,7	284	3,0	118,00	H063	71B	4	12000
11,5	292	1,1	76,67	H043	71C/80A	6	6600
11,0	303	1,0	125,69	H043	71B	4	6600
10,5	305	2,1	268,00	H063	71A	2	12000
10,4	307	1,2	267,65	H053	63C/71A	2	8000
10,3	327	2,7	85,82	H063	71C/80A	6	12000
10,2	324	1,5	134,76	H053	71B	4	8000
10,2	326	2,6	135,40	H063	71B	4	12000
10,1	332	0,9	87,05	H043	71C/80A	6	6600
10,0	336	0,9	88,02	HA53	71C/80A	6	6000
10,0	336	1,5	88,02	HA63	71C/80A	6	8000
9,9	334	0,9	138,71	HA53	71B	4	6000
9,9	334	1,4	138,71	HA63	71B	4	8000
9,8	327	1,1	284,81	HA63	63C/71A	2	8000
9,7	345	1,5	90,51	H053	71C/80A	6	8000
9,3	361	2,5	94,76	H063	71C/80A	6	12000
9,2	360	2,4	149,51	H063	71B	4	12000
8,8	379	1,3	157,29	H053	71B	4	8000
8,5	392	0,8	163,05	HA53	71B	4	6000
8,5	392	1,2	163,05	HA63	71B	4	8000
8,1	415	1,3	108,95	H053	71C/80A	6	8000
8,1	411	2,1	170,67	H063	71B	4	12000
7,9	425	0,7	111,61	HA53	71C/80A	6	6000
7,9	425	1,2	111,61	HA63	71C/80A	6	8000
7,5	450	2,0	118,00	H063	71C/80A	6	12000
7,4	448	1,9	186,18	H063	71B	4	12000
7,1	468	1,1	194,56	H053	71B	4	8000
6,9	482	1,0	200,27	HA63	71B	4	8000
6,6	507	3,7	142,15	H083	80A	6	18000
6,5	514	1,0	134,76	H053	71C/80A	6	8000
6,5	516	1,7	135,40	H063	71C/80A	6	12000
6,4	521	1,0	216,38	H053	71B	4	8000
6,4	518	1,6	215,21	H063	71B	4	12000
6,3	529	1,0	138,71	HA63	71C/80A	6	8000
6,1	552	3,4	154,76	H083	80A	6	18000
5,9	570	1,6	149,51	H063	71C/80A	6	12000
5,9	565	1,5	234,67	H063	71B	4	12000
5,9	567	0,8	235,41	HA63	71B	4	8000
5,8	579	3,3	162,35	H083	80A	6	18000

5.1 H/HA GEARED MOTORS (50Hz)

0,37 kW

n2 [rpm]	M2 [Nm]	fs	i	Gear reducer	Motor Size	Pole	Fr2 [N]
5,4	622	0,8	163,05	HA63	71C/80A	6	8000
5,2	651	1,4	170,67	H063	71C/80A	6	12000
5,2	639	3,0	179,13	H083	80A	6	18000
5,1	645	1,3	268,00	H063	71B	4	12000
4,8	696	2,7	195,07	H083	80A	6	18000
4,7	710	1,3	186,18	H063	71C/80A	6	12000
4,2	795	2,4	222,78	H083	80A	6	18000
4,1	820	1,1	215,21	H063	71C/80A	6	12000
3,8	895	1,0	234,67	H063	71C/80A	6	12000
3,5	956	0,9	268,00	H063	80A	6	12000

0,55 kW

n2 [rpm]	M2 [Nm]	fs	i	Gear reducer	Motor Size	Pole	Fr2 [N]
1102,0	4	3,2	2,55	HA31	71B	2	484
954,3	5	2,9	2,94	HA31	71B	2	508
954,3	5	3,6	2,94	HA41	71B	2	514
884,6	6	2,7	3,18	HA31	71B	2	521
837,0	6	2,6	3,36	HA31	71B	2	531
726,7	7	2,3	3,87	HA31	71B	2	556
685,0	7	3,8	2,00	HR041	71C/80A	4	816
666,8	7	2,1	4,21	HA31	71B	2	573
647,0	8	3,7	1,44	HR041	80B	6	830
642,1	8	3,3	1,45	HA41	80B	6	586
591,6	8	2,0	4,75	HA31	71B	2	596
591,6	8	2,7	4,75	HA41	71B	2	603
562,0	9	3,9	5,00	HR041	71B	2	868
551,0	9	1,9	5,10	HA31	71B	2	610
538,2	9	3,6	2,55	HR041	71C/80A	4	877
537,3	9	2,0	2,55	HA31	71C/80A	4	615
515,2	10	1,8	5,45	HA31	71B	2	624
515,2	10	2,4	5,45	HA41	71B	2	631
515,2	10	3,9	5,45	HA51	71B	2	1739
510,9	10	3,9	5,50	HR041	71B	2	893
504,7	10	3,4	2,71	HR041	71C/80A	4	894
465,3	11	1,8	2,94	HA31	71C/80A	4	646
465,3	11	2,3	2,94	HA41	71C/80A	4	653
465,3	11	3,7	2,94	HA51	71C/80A	4	1799
465,0	11	2,7	2,00	HR041	80B	6	916
461,3	11	3,5	6,09	HR041	71B	2	920
446,0	11	1,6	6,30	HA31	71B	2	655
441,2	12	3,8	3,11	HR041	71C/80A	4	930

0,55 kW

n ₂ [rpm]	M ₂ [Nm]	f _s	i	Gear reducer	Motor		Fr ₂ [N]
					Size	Pole	
431,3	12	1,7	3,18	HA31	71C/80A	4	662
408,1	12	1,6	3,36	HA31	71C/80A	4	674
381,8	13	3,4	3,59	HR041	71C/80A	4	970
366,5	13	2,8	7,67	HR041	71B	2	984
365,4	14	2,5	2,55	HR041	80B	6	982
364,7	14	1,4	2,55	HA31	80B	6	700
356,8	14	1,2	7,88	HA31	71B	2	705
356,8	14	1,4	7,88	HA41	71B	2	713
356,8	14	2,2	7,88	HA51	71B	2	1965
354,3	14	1,5	3,87	HA31	71C/80A	4	707
342,6	15	2,4	2,71	HR041	80B	6	1000
326,2	16	2,9	4,20	HR041	71C/80A	4	1000
325,1	16	1,3	4,21	HA31	71C/80A	4	728
321,1	15	2,7	8,75	HR041	71B	2	1000
315,8	16	1,3	2,94	HA31	80B	6	735
315,8	16	1,6	2,94	HA41	80B	6	743
315,8	16	2,6	2,94	HA51	80B	6	2047
299,5	17	2,7	3,11	HR041	80B	6	1000
292,8	18	1,2	3,18	HA31	80B	6	753
288,4	18	1,2	4,75	HA31	71C/80A	4	757
288,4	18	1,7	4,75	HA41	71C/80A	4	766
288,4	18	2,8	4,75	HA51	71C/80A	4	2110
277,0	19	1,1	3,36	HA31	80B	6	767
274,0	19	2,4	5,00	HR041	71C/80A	4	1000
268,6	19	1,2	5,10	HA31	71C	4	775
259,2	20	2,4	3,59	HR041	80B	6	1000
256,9	19	3,6	10,94	HA32	71B	2	1101
251,2	20	1,1	5,45	HA31	71C	4	793
251,2	20	1,5	5,45	HA41	71C/80A	4	802
251,2	20	2,5	5,45	HA51	71C/80A	4	2209
249,1	20	2,4	5,50	HR041	71C/80A	4	1000
240,5	21	1,0	3,87	HA31	80B	6	804
224,9	23	2,2	6,09	HR041	71C/80A	4	1000
221,4	23	2,0	4,20	HR041	80B	6	1000
220,7	23	0,9	4,21	HA31	80B	6	828
217,5	23	1,0	6,30	HA31	71C	4	832
212,1	23	2,6	13,25	HA32	71B	2	1174
210,2	24	3,3	6,52	HA32	71C/80A	4	1177
198,0	26	3,9	4,70	H032	80B	6	4321
195,8	26	0,9	4,75	HA31	80B	6	862
195,8	26	1,2	4,75	HA41	80B	6	871
195,8	26	2,0	4,75	HA51	80B	6	2401

0,55 kW

n2 [rpm]	M2 [Nm]	fs	i	Gear reducer	Motor Size	Pole	Fr2 [N]
195,0	26	3,8	4,77	HR051	80B	6	2500
186,8	27	3,7	7,33	HR051	71C/80A	4	2500
186,0	28	1,7	5,00	HR041	80B	6	1000
180,6	28	3,2	7,75	HA61	80A	4	3691
178,7	29	1,8	7,67	HR041	71C/80A	4	1000
177,1	29	3,6	5,25	HR051	80B	6	2500
174,0	29	0,9	7,88	HA41	71C	4	906
174,0	29	1,4	7,88	HA51	71C	4	2497
172,9	29	2,9	5,38	HA32	80B	6	1256
170,5	30	1,0	5,45	HA41	80B	6	912
170,5	30	1,7	5,45	HA51	80B	6	2514
170,4	29	2,1	16,49	HA32	71B	2	1263
170,4	29	3,7	16,49	HA42	71B	2	2658
169,1	30	1,7	5,50	HR041	80B	6	1000
168,9	30	2,5	8,11	HA32	71C/80A	4	1266
163,6	31	3,2	8,38	HR051	71C/80A	4	2500
159,8	32	3,3	5,82	HR051	80B	6	2500
156,6	33	1,7	8,75	HR041	71C/80A	4	1000
154,5	33	4,0	8,87	H032	71C	4	4641
152,7	34	1,6	6,09	HR041	80B	6	1000
149,3	34	3,2	6,23	H032	80B	6	4682
142,7	36	2,4	6,52	HA32	80B	6	1339
138,7	35	1,9	20,26	HA32	71B	2	1352
138,7	35	3,2	20,26	HA42	71B	2	2847
135,1	37	3,7	10,14	H032	71C/80A	4	4818
131,3	39	1,8	10,67	HA61	80A	4	4106
126,8	41	2,6	7,33	HR051	80B	6	2500
125,3	40	2,2	10,94	HA32	71C/80A	4	1399
125,3	40	3,7	10,94	HA42	71C/80A	4	2945
123,9	39	3,8	22,68	H032	71B	2	4948
121,3	42	1,2	7,67	HR041	80B	6	1000
120,0	43	2,2	7,75	HA61	80B	6	4230
119,8	43	3,1	7,76	H032	80B	6	4974
117,9	41	3,6	23,83	H032	71B	2	5016
116,5	43	3,3	11,76	H032	71C/80A	4	5016
114,7	44	1,8	8,11	HA32	80B	6	1441
114,7	44	3,1	8,11	HA42	80B	6	3033
114,5	43	1,5	24,55	HA32	71B	2	1442
114,5	43	2,7	24,55	HA42	71B	2	3035
111,0	46	2,3	8,38	HR051	80B	6	2500
111,0	46	3,9	8,38	HR061	80B	6	3700
106,5	46	3,3	26,39	H032	71B	2	5156

5.1 H/HA GEARED MOTORS (50Hz)

0,55 kW

n2 [rpm]	M2 [Nm]	fs	i	Gear reducer	Motor Size	Pole	Fr2 [N]
106,3	48	1,2	8,75	HR041	80B	6	1000
104,9	49	2,8	8,87	H032	80B	6	5154
103,4	49	1,6	13,25	HA32	71C/80A	4	1491
103,4	49	2,9	13,25	HA42	71C/80A	4	3140
99,9	50	3,4	13,72	H032	71C/80A	4	5226
94,6	51	2,9	29,70	H032	71B	2	5320
93,5	54	3,2	14,66	H032	71C/80A	4	5317
92,3	53	4,0	30,45	H042	71B	2	6600
92,0	53	1,1	30,55	HA32	71B	2	1551
92,0	53	2,0	30,55	HA42	71B	2	3264
91,7	56	2,6	10,14	H032	80B	6	5338
87,2	59	1,2	10,67	HA61	80B	6	4500
85,4	57	2,6	32,89	H032	71B	2	5463
85,0	60	1,6	10,94	HA32	80B	6	1592
85,0	60	2,6	10,94	HA42	80B	6	3351
83,1	61	1,3	16,49	HA32	71C/80A	4	1604
83,1	61	2,3	16,49	HA42	71C/80A	4	3377
82,4	59	3,6	34,10	H042	71B	2	6600
81,7	62	3,1	16,77	H032	71C/80A	4	5500
79,3	61	1,1	35,44	HA32	71B	2	1629
79,3	61	1,8	35,44	HA42	71B	2	3430
79,1	64	2,4	11,76	H032	80B	6	5500
75,3	67	3,0	18,20	H032	71C/80A	4	5500
74,4	65	3,2	37,76	H042	71B	2	6600
74,1	66	2,3	37,92	H032	71B	2	5500
72,1	70	3,6	19,00	H042	71C/80A	4	6600
70,2	73	1,2	13,25	HA32	80B	6	1697
70,2	73	2,0	13,25	HA42	80B	6	3572
68,9	73	2,7	19,90	H032	71C/80A	4	5500
68,5	74	3,5	13,57	H042	80B	6	6600
68,4	74	3,9	20,46	HA52	80A	4	4504
67,9	72	2,1	41,40	H032	71B	2	5500
67,8	75	2,4	13,72	H032	80B	6	5500
67,6	75	1,2	20,26	HA32	71C/80A	4	1718
67,6	75	2,0	20,26	HA42	71C/80A	4	3617
65,2	77	3,2	21,00	H042	71C/80A	4	6600
64,2	76	2,8	43,75	H042	71B	2	6600
64,1	79	3,7	14,50	HA52	80B	6	4602
63,7	76	1,4	44,10	HA42	71B	2	3689
63,5	80	2,2	14,66	H032	80B	6	5500
60,4	83	2,4	22,68	H032	71C/80A	4	5500
59,5	82	1,8	47,25	H032	71B	2	5500

0,55 kW

n ₂ [rpm]	M ₂ [Nm]	f _s	i	Gear reducer	Motor Size	Pole	Fr ₂ [N]
59,2	85	3,1	23,15	H042	71C/80A	4	6600
59,1	82	2,6	47,53	H042	71B	2	6600
58,3	87	3,0	15,96	H042	80B	6	6600
57,6	84	1,0	48,75	HA42	71B	2	3815
57,5	88	2,3	23,83	H032	71C/80A	4	5500
56,4	90	0,9	16,49	HA32	80B	6	1825
56,4	90	1,6	16,49	HA42	80B	6	3843
56,4	84	2,7	49,80	HA53	71B	2	4802
55,8	90	0,9	24,55	HA32	71C/80A	4	1832
55,8	90	1,7	24,55	HA42	71C/80A	4	3856
55,5	92	2,2	16,77	H032	80B	6	5500
55,1	92	3,1	25,43	HA52	80A	4	4842
55,0	93	3,4	16,91	HA52	80B	6	4844
54,8	87	1,3	51,32	HA43	71B	2	3881
52,6	96	2,7	26,04	H042	71C/80A	4	6600
52,4	91	1,7	53,59	H033	71B	2	5500
51,9	97	2,1	26,39	H032	71C/80A	4	5500
51,8	94	2,2	54,25	H042	71B	2	6600
51,1	100	2,1	18,20	H032	80B	6	5500
50,1	97	3,8	56,11	H052	71B	2	8000
49,8	101	2,8	27,50	H042	71C/80A	4	6600
48,9	104	2,5	19,00	H042	80B	6	6600
47,8	100	3,8	58,81	H053	71B	2	8000
47,1	101	1,1	59,65	HA43	71B	2	4080
46,8	108	2,8	29,89	HA52	80A	4	5110
46,7	109	1,9	19,90	H032	80B	6	5500
46,6	102	2,2	60,25	HA53	71B	2	5117
46,6	102	3,5	60,25	HA63	71B	2	7553
46,1	109	1,8	29,70	H032	71C/80A	4	5500
45,9	111	0,9	20,26	HA32	80B	6	1955
45,9	111	1,4	20,26	HA42	80B	6	4116
45,5	112	2,7	20,46	HA52	80B	6	5162
45,4	105	2,1	61,83	H043	71B	2	6600
45,0	112	2,5	30,45	H042	71C/80A	4	6600
44,9	112	1,2	30,55	HA42	71C/80A	4	4148
44,3	115	2,3	21,00	H042	80B	6	6600
42,1	113	1,3	66,78	H033	71B	2	5500
41,7	121	1,7	32,89	H032	71C/80A	4	5500
41,0	124	1,7	22,68	H032	80B	6	5500
40,2	127	2,2	23,15	H042	80B	6	6600
40,2	126	2,2	34,10	H042	71C/80A	4	6600
39,0	131	1,6	23,83	H032	80B	6	5500

5.1 H/HA GEARED MOTORS (50Hz)

0,55 kW

n2 [rpm]	M2 [Nm]	fs	i	Gear reducer	Size	Motor Pole	Fr2 [N]
38,7	130	1,2	35,44	HA42	71C	4	4300
38,7	130	2,3	36,17	HA52	80A	4	5445
38,7	130	3,6	36,17	HA62	80A	4	8000
38,6	123	3,0	72,75	H053	71B	2	8000
37,9	134	1,2	24,55	HA42	80B	6	4300
37,6	135	3,6	24,71	H052	80B	6	8000
37,5	127	1,2	74,84	H033	71B	2	5500
37,5	127	1,8	74,88	HA53	71B	2	5502
37,5	127	2,8	74,88	HA63	71B	2	8000
36,6	130	1,7	76,67	H043	71B	2	6600
36,6	139	2,1	25,43	HA52	80B	6	5549
36,6	139	3,2	25,43	HA62	80B	6	8000
36,3	139	2,0	37,76	H042	71C/80A	4	6600
36,1	140	1,4	37,92	H032	71C/80A	4	5500
35,7	143	1,9	26,04	H042	80B	6	6600
35,5	143	3,6	26,18	H052	80B	6	8000
35,2	145	1,5	26,39	H032	80B	6	5500
35,1	143	3,4	38,98	H052	71C/80A	4	8000
33,8	151	2,0	27,50	H042	80B	6	6600
33,1	152	1,3	41,40	H032	71C/80A	4	5500
32,7	156	3,3	28,44	H052	80B	6	8000
32,3	148	1,5	87,05	H043	71B	2	6600
31,9	149	1,5	88,02	HA53	71B	2	5807
31,9	149	2,4	88,02	HA63	71B	2	8000
31,3	163	1,3	29,70	H032	80B	6	5500
31,3	161	1,7	43,75	H042	71C/80A	4	6600
31,1	162	0,9	44,10	HA42	71C	4	4300
31,1	164	1,9	29,89	HA52	80B	6	5857
31,1	162	1,7	44,95	HA52	80A	4	5855
31,1	164	2,9	29,89	HA62	80B	6	8000
31,1	162	2,7	44,95	HA62	80A	4	8000
31,0	153	2,4	90,51	H053	71B	2	8000
30,5	167	1,8	30,45	H042	80B	6	6600
30,4	167	0,9	30,55	HA42	80B	6	4300
30,2	167	2,9	45,36	H052	71C/80A	4	8000
29,7	161	4,0	94,76	H063	71B	2	12000
29,5	173	3,0	31,52	H052	80B	6	8000
29,0	174	1,2	47,25	H032	71C/80A	4	5500
28,8	175	1,6	47,53	H042	71C/80A	4	6600
28,3	180	1,2	32,89	H032	80B	6	5500
28,2	181	2,8	33,00	H052	80B	6	8000
28,1	179	1,7	49,78	HA52	80A	4	6000

5.1 H/HA GEARED MOTORS (50Hz)

0,55 kW

n2 [rpm]	M2 [Nm]	fs	i	Gear reducer	Motor Size	Pole	Fr2 [N]
28,1	179	2,1	49,78	HA62	80A	4	8000
27,9	181	2,7	49,13	H052	71C/80A	4	8000
27,5	179	1,7	49,80	HA53	71C/80A	4	6000
27,5	179	2,7	49,80	HA63	71C/80A	4	8000
27,3	187	1,6	34,10	H042	80B	6	6600
26,7	185	0,8	51,32	HA43	71C	4	4300
25,8	185	2,0	108,95	H053	71B	2	8000
25,7	198	1,6	36,17	HA52	80B	6	6000
25,7	198	2,5	36,17	HA62	80B	6	8000
25,6	193	1,0	53,59	H033	71C/80A	4	5500
25,3	200	1,4	54,25	H042	71C/80A	4	6600
25,2	189	1,2	111,61	HA53	71B	2	6000
25,2	189	1,9	111,61	HA63	71B	2	8000
24,6	207	1,4	37,76	H042	80B	6	6600
24,5	208	1,0	37,92	H032	80B	6	5500
24,5	194	1,2	114,55	H043	71B	2	6600
24,4	207	2,4	56,11	H052	71C/80A	4	8000
23,9	213	2,4	38,98	H052	80B	6	8000
23,8	200	3,2	118,00	H063	71B	2	12000
23,3	212	2,4	58,81	H053	71C/80A	4	8000
22,7	217	1,4	60,25	HA53	71C/80A	4	6000
22,7	217	2,2	60,25	HA63	71C/80A	4	8000
22,6	223	1,3	61,87	HA52	80A	4	6000
22,6	223	2,0	61,87	HA62	80A	4	8000
22,5	227	0,9	41,40	H032	80B	6	5500
22,4	213	1,1	125,69	H043	71B	2	6600
22,2	223	1,3	61,83	H043	71C/80A	4	6600
21,3	240	1,2	43,75	H042	80B	6	6600
20,9	228	1,6	134,76	H053	71B	2	8000
20,8	230	2,8	135,40	H063	71B	2	12000
20,7	246	1,2	44,95	HA52	80B	6	6000
20,7	246	1,9	44,95	HA62	80B	6	8000
20,5	248	2,1	45,36	H052	80B	6	8000
20,3	235	1,5	138,71	HA63	71B	2	8000
20,2	252	3,5	46,06	H062	80B	6	12000
19,6	260	1,1	47,53	H042	80B	6	6600
18,9	269	1,9	49,13	H052	80B	6	8000
18,8	262	1,9	72,75	H053	71C/80A	4	8000
18,8	254	2,5	149,51	H063	71B	2	12000
18,7	273	1,2	49,78	HA52	80B	6	6000
18,7	267	1,2	49,80	HA53	80B	6	6000
18,7	273	1,4	49,78	HA62	80B	6	8000

5.1 H/HA GEARED MOTORS (50Hz)

0,55 kW

n2 [rpm]	M2 [Nm]	fs	i	Gear reducer	Motor Size	Pole	Fr2 [N]
18,7	267	1,9	49,80	HA63	80B	6	8000
18,3	270	1,1	74,88	HA53	71C/80A	4	6000
18,3	270	1,8	74,88	HA63	71C/80A	4	8000
17,9	276	1,1	76,67	H043	71C/80A	4	6600
17,9	267	1,4	157,29	H053	71B	2	8000
17,2	276	0,8	163,05	HA53	71B	2	6000
17,2	276	1,3	163,05	HA63	71B	2	8000
17,1	297	1,0	54,25	H042	80B	6	6600
16,6	307	1,7	56,11	H052	80B	6	8000
16,5	289	2,2	170,67	H063	71B	2	12000
16,0	309	2,7	85,82	H063	71C/80A	4	12000
15,8	315	1,7	58,81	H053	80B	6	8000
15,7	314	1,0	87,05	H043	71C/80A	4	6600
15,6	317	0,9	88,02	HA53	71C/80A	4	6000
15,6	317	1,5	88,02	HA63	71C/80A	4	8000
15,4	323	1,0	60,25	HA53	80B	6	6000
15,4	323	1,6	60,25	HA63	80B	6	8000
15,1	326	1,5	90,51	H053	71C/80A	4	8000
15,1	316	2,0	186,18	H063	71B	2	12000
15,0	332	1,0	61,83	H043	80B	6	6600
15,0	339	0,9	61,87	HA52	80B	6	6000
15,0	339	1,4	61,87	HA62	80B	6	8000
14,5	341	2,5	94,76	H063	71C/80A	4	12000
14,4	330	1,1	194,56	H053	71B	2	8000
14,0	340	1,1	200,27	HA63	71B	2	8000
13,1	365	1,7	215,21	H063	71B	2	12000
13,0	367	1,0	216,38	H053	71B	2	8000
12,8	390	1,3	72,75	H053	80B	6	8000
12,6	393	1,3	108,95	H053	71C/80A	4	8000
12,4	402	1,3	74,88	HA63	80B	6	8000
12,3	402	0,7	111,61	HA53	71C/80A	4	6000
12,3	402	1,2	111,61	HA63	71C/80A	4	8000
12,0	398	1,6	234,67	H063	71B	2	12000
11,9	399	0,9	235,41	HA63	71B	2	8000
11,6	425	2,0	118,00	H063	71C/80A	4	12000
10,8	460	1,9	85,82	H063	80B	6	12000
10,6	472	1,1	88,02	HA63	80B	6	8000
10,5	454	1,4	268,00	H063	71B	2	12000
10,3	485	1,1	90,51	H053	80B	6	8000
10,2	486	1,0	134,76	H053	71C/80A	4	8000
10,1	488	1,7	135,40	H063	71C/80A	4	12000
9,9	500	1,0	138,71	HA63	71C/80A	4	8000

0,55 kW

n2 [rpm]	M2 [Nm]	fs	i	Gear reducer	Motor Size	Pole	Fr2 [N]
9,8	508	1,8	94,76	H063	80B	6	12000
9,8	501	3,6	142,15	H083	80A	4	18000
9,5	526	3,6	98,09	H083	80B	6	18000
9,2	539	1,6	149,51	H063	71C/80A	4	12000
9,0	546	3,3	154,76	H083	80A	4	18000
8,6	573	3,1	162,35	H083	80A	4	18000
8,4	588	0,8	163,05	HA63	71C/80A	4	8000
8,3	598	0,8	111,61	HA63	80B	6	8000
8,2	605	3,1	112,78	H083	80B	6	18000
8,0	615	1,4	170,67	H063	71C/80A	4	12000
7,9	633	1,4	118,00	H063	80B	6	12000
7,8	632	2,8	179,13	H083	80A	4	18000
7,5	667	2,8	124,44	H083	80B	6	18000
7,4	671	1,3	186,18	H063	71C/80A	4	12000
7,2	688	2,6	195,07	H083	80A	4	18000
6,9	726	1,2	135,40	H063	80B	6	12000
6,5	762	2,5	142,15	H083	80B	6	18000
6,4	776	1,1	215,21	H063	71C/80A	4	12000
6,3	786	2,3	222,78	H083	80A	4	18000
6,2	802	1,1	149,51	H063	80B	6	12000
6,0	830	2,3	154,76	H083	80B	6	18000
5,8	846	1,0	234,67	H063	71C/80A	4	12000
5,7	871	2,2	162,35	H083	80B	6	18000
5,4	915	1,0	170,67	H063	80B	6	12000
5,2	961	2,0	179,13	H083	80B	6	18000
4,8	1046	1,8	195,07	H083	80B	6	18000
4,2	1195	1,6	222,78	H083	80B	6	18000

0,75 kW

n2 [rpm]	M2 [Nm]	fs	i	Gear reducer	Motor Size	Pole	Fr2 [N]
1098,0	6	2,3	2,55	HA31	71C/80A	2	485
1031,6	6	3,9	2,71	HR041	71C/80A	2	713
987,4	7	3,6	1,45	HA41	80B	4	508
973,9	7	3,9	1,44	HR041	80B ⁽¹⁾	4	724
950,9	7	2,1	2,94	HA31	71C/80A	2	509
950,9	7	2,7	2,94	HA41	71C/80A	2	514
881,5	8	2,0	3,18	HA31	71C/80A	2	522
834,0	8	1,9	3,36	HA31	71C/80A	2	531
780,3	9	3,9	3,59	HR041	71C/80A	2	775
724,1	9	1,7	3,87	HA31	71C/80A	2	557
715,0	10	2,9	2,00	HR041	80B	4	794

⁽¹⁾ Available only with brake motor (TBS)

0,75 kW

n ₂ [rpm]	M ₂ [Nm]	f _s	i	Gear reducer	Motor		Fr ₂ [N]
					Size	Pole	
666,7	10	3,4	4,20	HR041	71C/80A	2	812
664,4	10	1,6	4,21	HA31	71C/80A	2	573
640,0	11	2,7	1,44	HR041	80C/90S	6	819
635,2	11	2,4	1,45	HA41	80C	6	588
635,2	11	3,8	1,45	HA51	80C/90S	6	1622
589,5	11	1,5	4,75	HA31	71C/80A	2	597
589,5	11	2,0	4,75	HA41	71C/80A	2	603
589,5	11	3,3	4,75	HA51	71C/80A	2	1663
560,0	12	2,8	5,00	HR041	71C/80A	2	854
550,0	13	2,7	2,55	HR041	80B	4	856
549,0	13	1,5	2,55	HA31	80B	4	611
549,0	12	1,4	5,10	HA31	71C ⁽¹⁾	2	611
526,8	13	2,6	2,71	HR041	80B	4	867
513,3	13	1,3	5,45	HA31	71C ⁽¹⁾	2	625
513,3	13	1,7	5,45	HA41	71C/80A	2	632
513,3	13	2,9	5,45	HA51	71C/80A	2	1741
509,1	13	2,8	5,50	HR041	71C/80A	2	877
475,5	15	1,4	2,94	HA31	80B	4	641
475,5	15	1,7	2,94	HA41	80B	4	648
475,5	15	2,7	2,94	HA51	80B	4	1786
460,5	15	2,9	3,11	HR041	80B	4	900
460,0	15	1,9	2,00	HR041	80C/90S	6	900
459,7	15	2,6	6,09	HR041	71C/80A	2	903
444,4	15	1,1	6,30	HA31	71C ⁽¹⁾	2	656
440,7	16	1,3	3,18	HA31	80B	4	657
429,6	15	3,9	6,52	HA32	71C/80A	2	928
417,0	17	1,2	3,36	HA31	80B	4	670
390,2	18	2,5	3,59	HR041	80B	4	942
369,8	19	1,1	3,87	HA31	80B	4	697
366,5	18	3,7	7,75	HA61	80A	2	2916
365,2	18	2,0	7,67	HR041	71C/80A	2	962
361,4	19	1,8	2,55	HR041	80C/90S	6	961
360,8	19	1,0	2,55	HA31	80C	6	703
355,6	19	1,6	7,88	HA51	71C ⁽¹⁾	2	1968
345,2	19	2,9	8,11	HA32	71C/80A	2	998
338,9	21	1,7	2,71	HR041	80C/90S	6	977
334,3	20	3,7	8,38	HR051	71C/80A	2	2500
333,3	21	2,2	4,20	HR041	80B	4	982
332,2	21	1,0	4,21	HA31	80B	4	722
320,0	21	2,0	8,75	HR041	71C/80A	2	996
312,5	22	0,9	2,94	HA31	80C	6	737
312,5	22	1,2	2,94	HA41	80C	6	746

⁽¹⁾ Available only with brake motor (TBS)

0,75 kW

n ₂ [rpm]	M ₂ [Nm]	f _s	i	Gear reducer	Motor Size	Pole	Fr ₂ [N]
312,5	22	1,9	2,94	HA51	80C/90S	6	2054
296,3	24	2,0	3,11	HR041	80C/90S	6	1000
294,7	24	0,9	4,75	HA31	80B	4	752
294,7	24	1,3	4,75	HA41	80B	4	760
294,7	24	2,1	4,75	HA51	80B	4	2095
290,5	24	3,7	3,17	HR051	80C/90S	6	2500
289,6	24	0,9	3,18	HA31	80C	6	756
280,0	25	1,8	5,00	HR041	80B	4	1000
274,0	26	0,8	3,36	HA31	80C	6	770
272,4	26	3,9	5,25	HR051	80B	4	2500
266,3	25	2,1	10,67	HA61	80A	2	3243
265,8	26	3,1	5,38	HA32	80B	4	1089
262,2	27	1,1	5,45	HA41	80B	4	790
262,2	27	1,9	5,45	HA51	80B	4	2178
260,0	27	1,9	5,50	HR041	80B	4	1000
256,4	27	1,7	3,59	HR041	80C/90S	6	1000
256,0	26	2,6	10,94	HA32	71C/80A	2	1102
249,5	28	3,4	3,69	HR051	80C/90S	6	2500
240,6	29	3,5	5,82	HR051	80B	4	2500
238,1	28	3,9	11,76	H032	71C/80A	2	4028
234,8	30	1,7	6,09	HR041	80B	4	1000
230,0	31	3,1	4,00	HR051	80C/90S	6	2500
224,7	31	3,4	6,23	H032	80B	4	4083
219,0	32	1,5	4,20	HR041	80C/90S	6	1000
214,8	32	2,5	6,52	HA32	80B	4	1169
211,3	31	1,9	13,25	HA32	71C/80A	2	1175
211,3	31	3,3	13,25	HA42	71C/80A	2	2474
209,8	33	3,5	4,38	HA61	80C/90S	6	3511
204,1	33	3,9	13,72	H032	71C/80A	2	4205
195,9	35	2,8	4,70	H032	80C/90S	6	4236
195,0	36	2,8	7,33	HR051	80B	4	2500
193,7	36	0,9	4,75	HA41	80C	6	874
193,7	36	1,4	4,75	HA51	80C/90S	6	2409
192,9	36	2,7	4,77	HR051	80C/90S	6	2500
191,0	35	3,7	14,66	H032	71C/80A	2	4282
184,5	38	2,4	7,75	HA61	80B	4	3665
184,0	38	1,2	5,00	HR041	80C/90S	6	1000
182,6	38	1,3	7,67	HR041	80B	4	1000
180,4	38	3,3	7,76	H032	80B	4	4336
175,2	40	2,6	5,25	HR051	80C/90S	6	2500
172,6	40	1,9	8,11	HA32	80B	4	1257
172,6	40	3,3	8,11	HA42	80B	4	2647

0,75 kW

n2 [rpm]	M2 [Nm]	fs	i	Gear reducer	Motor Size	Pole	Fr2 [N]
171,0	41	2,1	5,38	HA32	80C	6	1261
171,0	41	3,6	5,38	HA42	80C/90S	6	2655
169,8	39	1,5	16,49	HA32	71C/80A	2	1264
169,8	39	2,7	16,49	HA42	71C/80A	2	2661
168,7	42	1,3	5,45	HA51	80C/90S	6	2523
167,3	42	1,3	5,50	HR041	80C/90S	6	1000
167,2	42	2,4	8,38	HR051	80B	4	2500
167,0	40	3,6	16,77	H032	71C/80A	2	4441
163,4	43	1,3	8,75	HR041	80B	4	1000
158,1	44	2,4	5,82	HR051	80C/90S	6	2500
157,9	44	3,0	8,87	H032	80B	4	4492
153,8	43	3,5	18,20	H032	71C/80A	2	4539
151,0	46	1,1	6,09	HR041	80C/90S	6	1000
147,7	47	2,3	6,23	H032	80C/90S	6	4566
141,2	49	1,7	6,52	HA32	80C	6	1344
141,2	49	3,0	6,52	HA42	80C/90S	6	2830
140,7	47	3,2	19,90	H032	71C/80A	2	4646
138,2	48	1,4	20,26	HA32	71C/80A	2	1354
138,2	48	2,3	20,26	HA42	71C/80A	2	2850
138,0	50	2,8	10,14	H032	80B	4	4651
133,3	50	3,8	21,00	H042	71C/80A	2	6087
131,3	53	1,3	10,67	HA61	80B	4	4106
128,0	54	3,1	7,19	H042	80C/90S	6	6138
128,0	54	1,7	10,94	HA32	80B	4	1389
128,0	54	2,8	10,94	HA42	80B	4	2924
125,5	56	1,9	7,33	HR051	80C/90S	6	2500
125,5	56	3,2	7,33	HR061	80C/90S	6	3700
123,5	54	2,8	22,68	H032	71C/80A	2	4804
122,6	57	0,9	7,67	HR041	90S	6	1000
121,0	55	3,6	23,15	H042	71C/80A	2	6257
119,0	58	2,5	11,76	H032	80B	4	4827
118,7	59	1,6	7,75	HA61	80C/90S	6	4245
118,5	59	2,2	7,76	H032	80C/90S	6	4826
117,5	56	2,7	23,83	H032	71C/80A	2	4864
114,1	58	1,1	24,55	HA32	71C/80A	2	1443
114,1	58	2,0	24,55	HA42	71C/80A	2	3038
113,4	61	1,3	8,11	HA32	80C	6	1446
113,4	61	2,2	8,11	HA42	80C/90S	6	3044
110,5	60	3,5	25,43	HA52	80A	2	3839
109,9	64	1,6	8,38	HR051	80C/90S	6	2500
109,9	64	2,8	8,38	HR061	80C/90S	6	3700
107,5	62	3,2	26,04	H042	71C/80A	2	6466

0,75 kW

n ₂ [rpm]	M ₂ [Nm]	f _s	i	Gear reducer	Motor		Fr ₂ [N]
					Size	Pole	
106,1	63	2,4	26,39	H032	71C/80A	2	4987
105,7	65	1,2	13,25	HA32	80B	4	1481
105,7	65	2,2	13,25	HA42	80B	4	3117
103,8	67	2,0	8,87	H032	80C/90S	6	4983
103,2	67	3,3	8,91	H042	80C/90S	6	6515
103,2	67	3,8	13,57	H042	80B	4	6521
102,0	67	2,5	13,72	H032	80B	4	5010
101,8	65	3,2	27,50	H042	71C/80A	2	6564
96,6	71	3,9	14,50	HA52	80B ⁽¹⁾	4	4015
95,5	72	2,4	14,66	H032	80B	4	5088
94,3	70	2,1	29,70	H032	71C/80A	2	5130
94,0	71	3,2	29,89	HA52	80A	2	4051
91,9	72	2,9	30,45	H042	71C/80A	2	6600
91,7	72	1,5	30,55	HA42	71C/80A	2	3268
90,7	77	1,9	10,14	H032	80C/90S	6	5141
89,2	78	3,2	10,31	H042	80C/90S	6	6600
87,7	78	3,2	15,96	H042	80B	4	6600
86,3	81	0,9	10,67	HA61	80C/90S	6	4500
85,1	78	1,9	32,89	H032	71C/80A	2	5252
84,9	81	1,0	16,49	HA32	80B	4	1593
84,9	81	1,7	16,49	HA42	80B	4	3353
84,1	83	1,1	10,94	HA32	80C	6	1597
84,1	83	1,9	10,94	HA42	80C/90S	6	3363
83,5	82	2,3	16,77	H032	80B	4	5245
82,8	83	3,6	16,91	HA52	80B	4	4227
82,1	81	2,6	34,10	H042	71C/80A	2	6600
79,0	84	1,3	35,44	HA42	71C ⁽¹⁾	2	3434
78,9	88	3,3	11,67	HA52	80C/90S	6	4295
78,2	89	1,7	11,76	H032	80C/90S	6	5311
78,0	89	2,9	11,80	H042	80C/90S	6	6600
77,7	85	2,6	36,17	HA52	80A	2	4317
76,9	89	2,2	18,20	H032	80B	4	5339
74,1	89	2,3	37,76	H042	71C/80A	2	6600
73,8	90	1,7	37,92	H032	71C/80A	2	5419
73,7	93	2,7	19,00	H042	80B	4	6600
71,8	92	4,0	38,98	H052	71C/80A	2	8000
70,4	98	2,0	19,90	H032	80B	4	5440
69,4	100	0,8	13,25	HA32	80C	6	1703
69,4	100	1,5	13,25	HA42	80C/90S	6	3585
69,1	100	0,9	20,26	HA32	80B	4	1706
69,1	100	1,5	20,26	HA42	80B	4	3591
68,4	100	2,9	20,46	HA52	80B	4	4504

⁽¹⁾ Available only with brake motor (TBS)

0,75 kW

n ₂ [rpm]	M ₂ [Nm]	f _s	i	Gear reducer	Motor		Fr ₂ [N]
					Size	Pole	
67,8	102	2,6	13,57	H042	80C/90S	6	6600
67,6	98	1,5	41,40	H032	71C/80A	2	5500
67,1	104	1,7	13,72	H032	80C/90S	6	5482
66,7	103	2,4	21,00	H042	80B	4	6600
64,0	104	2,0	43,75	H042	71C/80A	2	6600
63,5	105	1,0	44,10	HA42	71C ⁽¹⁾	2	3694
63,4	109	2,7	14,50	HA52	80C/90S	6	4618
62,8	111	1,6	14,66	H032	80C/90S	6	5500
62,5	106	2,0	44,95	HA52	80A	2	4641
62,5	106	3,1	44,95	HA62	80A	2	6850
61,7	111	1,8	22,68	H032	80B	4	5500
61,7	108	3,4	45,36	H052	71C/80A	2	8000
60,5	114	2,3	23,15	H042	80B	4	6600
59,3	112	1,3	47,25	H032	71C/80A	2	5500
58,9	113	1,9	47,53	H042	71C/80A	2	6600
58,7	117	1,7	23,83	H032	80B	4	5500
57,6	120	2,2	15,96	H042	80C/90S	6	6600
57,0	116	3,2	49,13	H052	71C/80A	2	8000
57,0	121	1,3	24,55	HA42	80B	4	3828
56,7	121	3,9	24,71	H052	80B	4	8000
56,5	118	1,9	49,78	HA52	80A	2	4802
56,5	118	2,4	49,78	HA62	80A	2	7087
56,2	116	1,9	49,80	HA53	71C/80A	2	4808
56,2	116	3,1	49,80	HA63	71C/80A	2	7097
55,8	124	1,2	16,49	HA42	80C/90S	6	3856
55,4	125	3,8	16,59	H052	80C/90S	6	8000
55,1	125	2,2	25,43	HA52	80B	4	4842
55,1	125	3,4	25,43	HA62	80B	4	7147
54,9	127	1,6	16,77	H032	80C/90S	6	5500
54,4	128	2,5	16,91	HA52	80C/90S	6	4861
53,8	128	2,0	26,04	H042	80B	4	6600
53,5	129	3,8	26,18	H052	80B	4	8000
53,0	130	1,5	26,39	H032	80B	4	5500
52,2	124	1,2	53,59	H033	71C/80A	2	5500
51,6	129	1,6	54,25	H042	71C/80A	2	6600
51,1	136	3,6	18,00	H052	80C/90S	6	8000
50,9	135	2,1	27,50	H042	80B	4	6600
50,5	137	1,5	18,20	H032	80C/90S	6	5500
49,9	133	2,8	56,11	H052	71C/80A	2	8000
49,2	140	3,5	28,44	H052	80B	4	8000
48,4	143	1,8	19,00	H042	80C/90S	6	6600
47,6	136	2,7	58,81	H053	71C/80A	2	8000

⁽¹⁾ Available only with brake motor (TBS)

0,75 kW

n2 [rpm]	M2 [Nm]	fs	i	Gear reducer	Motor Size	Pole	Fr2 [N]
47,1	146	1,4	29,70	H032	80B	4	5500
46,8	147	2,0	29,89	HA52	80B	4	5110
46,8	147	3,1	29,89	HA62	80B	4	7543
46,5	140	1,6	60,25	HA53	71C/80A	2	5123
46,5	140	2,6	60,25	HA63	71C/80A	2	7562
46,2	150	1,4	19,90	H032	80C/90S	6	5500
46,1	151	3,2	19,97	H052	80C/90S	6	8000
46,0	150	1,9	30,45	H042	80B	4	6600
45,8	150	0,9	30,55	HA42	80B	4	4118
45,4	153	1,0	20,26	HA42	80C/90S	6	4130
45,4	146	1,5	61,87	HA52	80A	2	5163
45,4	146	2,3	61,87	HA62	80A	2	7620
45,3	143	1,6	61,83	H043	71C/80A	2	6600
45,0	154	2,0	20,46	HA52	80C/90S	6	5180
45,0	154	3,1	20,46	HA62	80C/90S	6	7646
44,4	155	3,2	31,52	H052	80B	4	8000
43,8	159	1,7	21,00	H042	80C/90S	6	6600
42,6	162	1,2	32,89	H032	80B	4	5500
42,5	164	3,0	21,67	H052	80C/90S	6	8000
42,4	162	3,0	33,00	H052	80B	4	8000
41,1	167	1,7	34,10	H042	80B	4	6600
40,6	171	1,2	22,68	H032	80C/90S	6	5500
39,7	175	1,6	23,15	H042	80C/90S	6	6600
38,7	178	1,7	36,17	HA52	80B	4	5445
38,7	178	2,6	36,17	HA62	80B	4	8000
38,6	180	1,2	23,83	H032	80C/90S	6	5500
38,5	169	2,2	72,75	H053	71C/80A	2	8000
37,5	185	0,9	24,55	HA42	80C/90S	6	4300
37,4	174	1,3	74,88	HA53	71C/80A	2	5508
37,4	174	2,1	74,88	HA63	71C/80A	2	8000
37,2	186	2,6	24,71	H052	80C/90S	6	8000
37,1	185	1,5	37,76	H042	80B	4	6600
36,9	186	1,1	37,92	H032	80B	4	5500
36,5	178	1,3	76,67	H043	71C/80A	2	6600
36,2	192	1,5	25,43	HA52	80C/90S	6	5570
36,2	192	2,4	25,43	HA62	80C/90S	6	8000
35,9	191	2,6	38,98	H052	80B	4	8000
35,3	197	1,4	26,04	H042	80C/90S	6	6600
35,1	198	2,6	26,18	H052	80C/90S	6	8000
34,9	199	1,1	26,39	H032	80C/90S	6	5500
33,8	203	1,0	41,40	H032	80B	4	5500
33,5	208	1,4	27,50	H042	80C/90S	6	6600

5.1 H/HA GEARED MOTORS (50Hz)

0,75 kW

n ₂ [rpm]	M ₂ [Nm]	f _s	i	Gear reducer	Motor		Fr ₂ [N]
					Size	Pole	
32,6	199	3,2	85,82	H063	71C/80A	2	12000
32,4	215	2,4	28,44	H052	80C/90S	6	8000
32,2	202	1,1	87,05	H043	71C/80A	2	6600
32,0	215	1,3	43,75	H042	80B	4	6600
31,8	204	1,1	88,02	HA53	71C/80A	2	5813
31,8	204	1,8	88,02	HA63	71C/80A	2	8000
31,4	221	3,8	29,33	H062	80C/90S	6	12000
31,1	221	1,3	44,95	HA52	80B	4	5855
31,1	221	2,0	44,95	HA62	80B	4	8000
31,0	224	0,9	29,70	H032	80C/90S	6	5500
30,9	223	2,2	45,36	H052	80B	4	8000
30,9	210	1,8	90,51	H053	71C/80A	2	8000
30,8	226	1,4	29,89	HA52	80C/90S	6	5878
30,8	226	2,1	29,89	HA62	80C/90S	6	8000
30,4	226	3,8	46,06	H062	80B	4	12000
30,2	230	1,3	30,45	H042	80C/90S	6	6600
29,5	233	1,2	47,53	H042	80B	4	6600
29,5	220	2,9	94,76	H063	71C/80A	2	12000
29,2	238	2,2	31,52	H052	80C/90S	6	8000
28,8	242	3,7	32,00	H062	80C/90S	6	12000
28,5	241	2,0	49,13	H052	80B	4	8000
28,1	244	1,2	49,78	HA52	80B	4	6000
28,1	239	1,3	49,80	HA53	80B	4	6000
28,1	244	1,5	49,78	HA62	80B	4	8000
28,1	239	2,0	49,80	HA63	80B	4	8000
27,9	249	2,1	33,00	H052	80C/90S	6	8000
27,0	257	1,1	34,10	H042	80C/90S	6	6600
25,8	266	1,1	54,25	H042	80B	4	6600
25,7	253	1,5	108,95	H053	71C/80A	2	8000
25,4	273	1,2	36,17	HA52	80C/90S	6	6000
25,4	273	1,8	36,17	HA62	80C/90S	6	8000
25,1	259	0,9	111,61	HA53	71C/80A	2	6000
25,1	259	1,4	111,61	HA63	71C/80A	2	8000
24,9	276	1,8	56,11	H052	80B	4	8000
24,9	279	3,0	36,99	H062	80C/90S	6	12000
24,4	285	1,0	37,76	H042	80C/90S	6	6600
23,8	283	1,8	58,81	H053	80B	4	8000
23,7	274	2,3	118,00	H063	71C/80A	2	12000
23,6	294	1,7	38,98	H052	80C/90S	6	8000
23,2	290	1,0	60,25	HA53	80B	4	6000
23,2	290	1,7	60,25	HA63	80B	4	8000
22,8	304	2,9	40,33	H062	80C/90S	6	12000

0,75 kW

n2 [rpm]	M2 [Nm]	fs	i	Gear reducer	Motor Size	Pole	Fr2 [N]
22,6	297	1,0	61,83	H043	80B	4	6600
22,6	304	1,0	61,87	HA52	80B	4	6000
22,6	304	1,4	61,87	HA62	80B	4	8000
21,5	323	0,9	43,75	H042	90S	6	6600
20,8	313	1,2	134,76	H053	71C/80A	2	8000
20,7	314	2,0	135,40	H063	71C/80A	2	12000
20,5	339	0,9	44,95	HA52	80C/90S	6	6000
20,5	339	1,4	44,95	HA62	80C/90S	6	8000
20,3	342	1,5	45,36	H052	80C/90S	6	8000
20,2	322	1,1	138,71	HA63	71C/80A	2	8000
20,0	348	2,6	46,06	H062	80C/90S	6	12000
19,2	350	1,4	72,75	H053	80B	4	8000
18,7	371	1,4	49,13	H052	80C/90S	6	8000
18,7	347	1,8	149,51	H063	71C/80A	2	12000
18,7	360	0,8	74,88	HA53	80B	4	6000
18,7	360	1,3	74,88	HA63	80B	4	8000
18,6	366	2,4	49,45	H063	90S	6	12000
18,5	376	0,8	49,78	HA52	80C/90S	6	6000
18,5	368	0,9	49,80	HA53	80C/90S	6	6000
18,5	376	1,0	49,78	HA62	80C/90S	6	8000
18,5	368	1,4	49,80	HA63	80C/90S	6	8000
18,2	358	3,8	154,76	H083	80A	2	18000
17,8	365	1,0	157,29	H053	71C ⁽¹⁾	2	8000
17,3	375	3,6	162,35	H083	80A	2	18000
16,8	404	2,2	54,61	H063	90S	6	12000
16,4	424	1,2	56,11	H052	80C/90S	6	8000
16,4	396	1,6	170,67	H063	71C/80A	2	12000
16,3	413	2,1	85,82	H063	80B	4	12000
15,9	423	1,1	88,02	HA63	80B	4	8000
15,7	414	3,3	179,13	H083	80A	2	18000
15,6	435	1,2	58,81	H053	80C/90S	6	8000
15,5	435	1,1	90,51	H053	80B	4	8000
15,3	445	1,1	60,25	HA63	80C/90S	6	8000
15,0	432	1,5	186,18	H063	71C/80A	2	12000
14,9	467	1,0	61,87	HA62	80C/90S	6	8000
14,8	456	1,9	94,76	H063	80B	4	12000
14,4	451	3,0	195,07	H083	80A	2	18000
14,3	472	3,8	98,09	H083	80B	4	18000
13,5	503	1,8	68,00	H063	90S	6	12000
13,0	499	1,3	215,21	H063	71C/80A	2	12000
12,9	524	1,0	108,95	H053	80B	4	8000
12,9	528	3,6	71,48	H083	80C/90S	6	18000

⁽¹⁾ Available only with brake motor (TBS)

0,75 kW

n2 [rpm]	M2 [Nm]	fs	i	Gear reducer	Motor Size	Pole	Fr2 [N]
12,6	538	1,0	72,75	H053	80C/90S	6	8000
12,6	515	2,6	222,78	H083	80A	2	18000
12,5	537	0,9	111,61	HA63	80B	4	8000
12,4	542	3,3	112,78	H083	80B	4	18000
12,3	553	0,9	74,88	HA63	80C/90S	6	8000
11,9	567	1,5	118,00	H063	80B	4	12000
11,9	545	1,2	234,67	H063	71C/80A	2	12000
11,7	583	3,2	78,87	H083	80C/90S	6	18000
11,3	598	3,0	124,44	H083	80B	4	18000
10,8	632	3,0	85,56	H083	80C/90S	6	18000
10,7	634	1,4	85,82	H063	80C/90S	6	12000
10,3	651	1,3	135,40	H063	80B	4	12000
9,8	684	2,6	142,15	H083	80B	4	18000
9,7	700	1,3	94,76	H063	80C/90S	6	12000
9,4	719	1,2	149,51	H063	80B	4	12000
9,4	725	2,6	98,09	H083	80C/90S	6	18000
9,0	744	2,4	154,76	H083	80B	4	18000
8,6	781	2,3	162,35	H083	80B	4	18000
8,2	821	1,0	170,67	H063	80B	4	12000
8,2	834	2,3	112,78	H083	80C/90S	6	18000
7,8	872	1,0	118,00	H063	80C/90S	6	12000
7,8	861	2,1	179,13	H083	80B	4	18000
7,5	895	0,9	186,18	H063	80B	4	12000
7,4	920	2,1	124,44	H083	80C/90S	6	18000
7,2	938	1,9	195,07	H083	80B	4	18000
6,9	980	0,9	135,40	H063	90S	6	12000
6,5	1051	1,8	142,15	H083	80C/90S	6	18000
6,4	1060	3,5	143,42	H103	90S	6	22000
6,3	1071	1,7	222,78	H083	80B	4	18000
5,9	1144	1,7	154,76	H083	80C/90S	6	18000
5,7	1200	1,6	162,35	H083	80C/90S	6	18000
5,7	1189	3,1	160,82	H103	90S	6	22000
5,1	1324	1,4	179,13	H083	80C/90S	6	18000
5,1	1338	2,7	181,07	H103	90S	6	22000
4,7	1442	1,3	195,07	H083	80C/90S	6	18000
4,7	1435	2,6	194,21	H103	90S	6	22000
4,3	1593	2,3	215,45	H103	90S	6	22000
4,1	1647	1,1	222,78	H083	80C/90S	6	18000
3,8	1793	2,1	242,59	H103	90S	6	22000

0,92 kW

n2 [rpm]	M2 [Nm]	fs	i	Gear reducer	Size	Motor Pole	Fr2 [N]
973,9	9	3,2	1,44	HR041	80C ⁽¹⁾	4	717
966,7	9	2,8	1,45	HA41	80C ⁽¹⁾	4	512
700,0	12	2,3	2,00	HR041	80C ⁽¹⁾	4	788
550,0	15	2,2	2,55	HR041	80C ⁽¹⁾	4	843
549,0	16	1,2	2,55	HA31	80C ⁽¹⁾	4	611
515,8	17	2,1	2,71	HR041	80C ⁽¹⁾	4	858
475,5	18	1,1	2,94	HA31	80C ⁽¹⁾	4	641
475,5	18	1,4	2,94	HA41	80C ⁽¹⁾	4	648
475,5	18	2,2	2,94	HA51	80C ⁽¹⁾	4	1786
450,8	19	2,3	3,11	HR041	80C ⁽¹⁾	4	889
440,7	19	1,0	3,18	HA31	80C ⁽¹⁾	4	657
417,0	20	1,0	3,36	HA31	80C ⁽¹⁾	4	670
390,2	22	2,1	3,59	HR041	80C ⁽¹⁾	4	923
362,1	24	0,9	3,87	HA31	80C ⁽¹⁾	4	702
350,0	24	3,7	4,00	HR051	80C ⁽¹⁾	4	2500
333,3	26	1,8	4,20	HR041	80C ⁽¹⁾	4	960
332,2	26	0,8	4,21	HA31	80C ⁽¹⁾	4	722
298,1	28	3,4	4,70	H032	80C ⁽¹⁾	4	3715
294,7	29	1,0	4,75	HA41	80C ⁽¹⁾	4	760
294,7	29	1,7	4,75	HA51	80C ⁽¹⁾	4	2095
293,5	29	3,3	4,77	HR051	80C ⁽¹⁾	4	2500
280,0	30	1,5	5,00	HR041	80C ⁽¹⁾	4	1000
266,7	32	3,1	5,25	HR051	80C ⁽¹⁾	4	2500
260,3	32	2,5	5,38	HA32	80C ⁽¹⁾	4	1096
256,7	33	0,9	5,45	HA41	80C ⁽¹⁾	4	796
256,7	33	1,5	5,45	HA51	80C ⁽¹⁾	4	2194
254,5	33	1,5	5,50	HR041	80C ⁽¹⁾	4	1000
240,6	35	2,8	5,82	HR051	80C ⁽¹⁾	4	2500
229,9	37	1,3	6,09	HR041	80C ⁽¹⁾	4	1000
224,7	38	2,8	6,23	H032	80C ⁽¹⁾	4	4010
214,8	39	2,0	6,52	HA32	80C ⁽¹⁾	4	1169
214,8	39	3,6	6,52	HA42	80C ⁽¹⁾	4	2461
194,8	43	3,7	7,19	H042	80C ⁽¹⁾	4	5376
190,9	45	2,2	7,33	HR051	80C ⁽¹⁾	4	2500
190,9	45	3,8	7,33	HR061	80C ⁽¹⁾	4	3700
182,6	47	1,1	7,67	HR041	80C ⁽¹⁾	4	1000
180,6	47	1,9	7,75	HA61	80C ⁽¹⁾	4	3691
180,4	47	2,7	7,76	H032	80C ⁽¹⁾	4	4246
172,6	49	1,5	8,11	HA32	80C ⁽¹⁾	4	1257
172,6	49	2,7	8,11	HA42	80C ⁽¹⁾	4	2647
167,2	51	2,0	8,38	HR051	80C ⁽¹⁾	4	2500
167,2	51	3,3	8,38	HR061	80C ⁽¹⁾	4	3700

⁽¹⁾ Available only with brake motor (TBS)

0,92 kW

n2 [rpm]	M2 [Nm]	fs	i	Gear reducer	Size	Motor Pole	Fr2 [N]
160,0	53	1,0	8,75	HR041	80C ⁽¹⁾	4	1000
157,9	53	2,4	8,87	H032	80C ⁽¹⁾	4	4389
157,1	54	3,9	8,91	H042	80C ⁽¹⁾	4	5712
138,0	61	2,3	10,14	H032	80C ⁽¹⁾	4	4533
135,7	62	3,9	10,31	H042	80C ⁽¹⁾	4	5946
131,3	65	1,1	10,67	HA61	80C ⁽¹⁾	4	4106
128,0	66	1,4	10,94	HA32	80C ⁽¹⁾	4	1389
128,0	66	2,3	10,94	HA42	80C ⁽¹⁾	4	2924
120,0	70	4,0	11,67	HA52	80C ⁽¹⁾	4	3735
119,0	71	2,0	11,76	H032	80C ⁽¹⁾	4	4691
118,6	71	3,5	11,80	H042	80C ⁽¹⁾	4	6165
105,7	80	1,0	13,25	HA32	80C ⁽¹⁾	4	1481
105,7	80	1,8	13,25	HA42	80C ⁽¹⁾	4	3117
103,2	82	3,1	13,57	H042	80C ⁽¹⁾	4	6396
102,0	83	2,1	13,72	H032	80C ⁽¹⁾	4	4851
96,6	87	3,2	14,50	HA52	80C ⁽¹⁾	4	4015
95,5	88	1,9	14,66	H032	80C ⁽¹⁾	4	4918
87,7	96	2,6	15,96	H042	80C ⁽¹⁾	4	6600
84,9	99	0,8	16,49	HA32	80C ⁽¹⁾	4	1593
84,9	99	1,4	16,49	HA42	80C ⁽¹⁾	4	3353
83,5	101	1,9	16,77	H032	80C ⁽¹⁾	4	5051
82,8	102	2,9	16,91	HA52	80C ⁽¹⁾	4	4227
76,9	110	1,8	18,20	H032	80C ⁽¹⁾	4	5129
73,7	114	2,2	19,00	H042	80C ⁽¹⁾	4	6600
70,4	120	1,7	19,90	H032	80C ⁽¹⁾	4	5209
70,1	120	3,8	19,97	H052	80C ⁽¹⁾	4	8000
69,1	122	1,2	20,26	HA42	80C ⁽¹⁾	4	3591
68,4	123	2,4	20,46	HA52	80C ⁽¹⁾	4	4504
68,4	123	3,7	20,46	HA62	80C ⁽¹⁾	4	6647
66,7	127	2,0	21,00	H042	80C ⁽¹⁾	4	6600
64,6	131	3,6	21,67	H052	80C ⁽¹⁾	4	8000
61,7	137	1,5	22,68	H032	80C ⁽¹⁾	4	5320
60,5	139	1,9	23,15	H042	80C ⁽¹⁾	4	6600
58,7	144	1,4	23,83	H032	80C ⁽¹⁾	4	5359
57,0	148	1,0	24,55	HA42	80C ⁽¹⁾	4	3828
56,7	149	3,2	24,71	H052	80C ⁽¹⁾	4	8000
55,1	153	1,8	25,43	HA52	80C ⁽¹⁾	4	4842
55,1	153	2,8	25,43	HA62	80C ⁽¹⁾	4	7147
53,8	157	1,7	26,04	H042	80C ⁽¹⁾	4	6600
53,5	158	3,1	26,18	H052	80C ⁽¹⁾	4	8000
53,0	159	1,3	26,39	H032	80C ⁽¹⁾	4	5433
50,9	166	1,7	27,50	H042	80C ⁽¹⁾	4	6600

⁽¹⁾ Available only with brake motor (TBS)

0,92 kW

n2 [rpm]	M2 [Nm]	fs	i	Gear reducer	Size	Motor Pole	Fr2 [N]
49,2	171	2,9	28,44	H052	80C ⁽¹⁾	4	8000
47,1	179	1,1	29,70	H032	80C ⁽¹⁾	4	5500
46,8	180	1,7	29,89	HA52	80C ⁽¹⁾	4	5110
46,8	180	2,5	29,89	HA62	80C ⁽¹⁾	4	7543
46,0	183	1,5	30,45	H042	80C ⁽¹⁾	4	6600
44,4	190	2,6	31,52	H052	80C ⁽¹⁾	4	8000
42,6	198	1,0	32,89	H032	80C ⁽¹⁾	4	5500
42,4	199	2,5	33,00	H052	80C ⁽¹⁾	4	8000
41,1	205	1,4	34,10	H042	80C ⁽¹⁾	4	6600
38,7	218	1,4	36,17	HA52	80C ⁽¹⁾	4	5445
38,7	218	2,2	36,17	HA62	80C ⁽¹⁾	4	8000
37,8	223	3,6	36,99	H062	80C ⁽¹⁾	4	12000
37,1	228	1,2	37,76	H042	80C ⁽¹⁾	4	6600
35,9	235	2,1	38,98	H052	80C ⁽¹⁾	4	8000
34,7	243	3,5	40,33	H062	80C ⁽¹⁾	4	12000
32,0	264	1,1	43,75	H042	80C ⁽¹⁾	4	6600
31,1	271	1,0	44,95	HA52	80C ⁽¹⁾	4	5855
31,1	271	1,6	44,95	HA62	80C ⁽¹⁾	4	8000
30,9	273	1,8	45,36	H052	80C ⁽¹⁾	4	8000
30,4	278	3,1	46,06	H062	80C ⁽¹⁾	4	12000
29,5	286	1,0	47,53	H042	80C ⁽¹⁾	4	6600
28,5	296	1,7	49,13	H052	80C ⁽¹⁾	4	8000
28,1	300	1,0	49,78	HA52	80C ⁽¹⁾	4	6000
28,1	294	1,0	49,80	HA53	80C ⁽¹⁾	4	6000
28,1	300	1,2	49,78	HA62	80C ⁽¹⁾	4	8000
28,1	294	1,6	49,80	HA63	80C ⁽¹⁾	4	8000
24,9	338	1,4	56,11	H052	80C ⁽¹⁾	4	8000
23,8	347	1,4	58,81	H053	80C ⁽¹⁾	4	8000
23,2	355	0,8	60,25	HA53	80C ⁽¹⁾	4	6000
23,2	355	1,4	60,25	HA63	80C ⁽¹⁾	4	8000
22,6	373	1,2	61,87	HA62	80C ⁽¹⁾	4	8000
19,2	429	1,2	72,75	H053	80C ⁽¹⁾	4	8000
18,7	442	1,1	74,88	HA63	80C ⁽¹⁾	4	8000
17,8	465	3,9	78,87	H083	80C ⁽¹⁾	4	18000
16,4	505	3,6	85,56	H083	80C ⁽¹⁾	4	18000
16,3	506	1,7	85,82	H063	80C ⁽¹⁾	4	12000
15,9	519	0,9	88,02	HA63	80C ⁽¹⁾	4	8000
15,5	534	0,9	90,51	H053	80C ⁽¹⁾	4	8000
14,8	559	1,5	94,76	H063	80C ⁽¹⁾	4	12000
14,3	579	3,1	98,09	H083	80C ⁽¹⁾	4	18000
12,4	665	2,7	112,78	H083	80C ⁽¹⁾	4	18000
11,9	696	1,2	118,00	H063	80C ⁽¹⁾	4	12000

⁽¹⁾ Available only with brake motor (TBS)

0,92 kW

n2 [rpm]	M2 [Nm]	fs	i	Gear reducer	Motor Size	Pole	Fr2 [N]
11,3	734	2,5	124,44	H083	80C ⁽¹⁾	4	18000
10,3	799	1,1	135,40	H063	80C ⁽¹⁾	4	12000
9,8	839	2,1	142,15	H083	80C ⁽¹⁾	4	18000
9,4	882	1,0	149,51	H063	80C ⁽¹⁾	4	12000
9,0	913	2,0	154,76	H083	80C ⁽¹⁾	4	18000
8,6	958	1,9	162,35	H083	80C ⁽¹⁾	4	18000
7,8	1057	1,7	179,13	H083	80C ⁽¹⁾	4	18000
7,2	1151	1,6	195,07	H083	80C ⁽¹⁾	4	18000
6,3	1314	1,4	222,78	H083	80C ⁽¹⁾	4	18000

1,10 kW

n2 [rpm]	M2 [Nm]	fs	i	Gear reducer	Motor Size	Pole	Fr2 [N]
1961,0	5	3,7	1,45	HA41	80B	2	404
1420,0	7	3,0	2,00	HR041	80B	2	637
1115,7	9	2,9	2,55	HR041	80B	2	683
1113,7	9	1,6	2,55	HA31	80B	2	483
1046,3	9	2,7	2,71	HR041	80B	2	696
980,9	10	2,7	1,44	HR041	80D/90S	4	708
973,6	10	2,4	1,45	HA41	80D ⁽¹⁾	4	510
966,7	11	3,8	1,45	HA51	80D/90S	4	1410
964,5	10	1,5	2,94	HA31	80B	2	506
964,5	10	1,8	2,94	HA41	80B	2	512
964,5	10	2,9	2,94	HA51	80B	2	1411
914,6	11	3,1	3,11	HR041	80B	2	724
894,1	11	1,4	3,18	HA31	80B	2	519
846,0	12	1,3	3,36	HA31	80B	2	529
791,5	12	2,7	3,59	HR041	80B	2	754
738,6	14	3,4	1,27	HR051	90L/100LR	6	2028
734,5	13	1,2	3,87	HA31	80B	2	554
700,0	15	1,9	2,00	HR041	80D/90S	4	777
676,2	15	2,3	4,20	HR041	80B	2	787
673,9	15	1,1	4,21	HA31	80B	2	571
653,9	16	1,9	1,44	HR041	90L	6	791
649,0	16	2,6	1,45	HA51	90L	6	1610
597,9	16	1,0	4,75	HA31	80B	2	594
595,8	17	1,4	4,75	HA41	80B	2	601
595,8	17	2,3	4,75	HA51	80B	2	1657
568,0	17	1,9	5,00	HR041	80B	2	825
552,9	18	1,0	2,55	HA31	80D ⁽¹⁾	4	610
550,0	19	1,8	2,55	HR041	80D/90S	4	829
527,9	18	3,3	5,38	HA32	80B	2	866

⁽¹⁾ Available only with brake motor (TBS)

1,10 kW

n ₂ [rpm]	M ₂ [Nm]	f _s	i	Gear reducer	Motor		Fr ₂ [N]
					Size	Pole	
520,7	19	1,2	5,45	HA41	80B	2	629
520,7	19	2,0	5,45	HA51	80B	2	1733
519,5	20	1,7	2,71	HR041	80D/90S	4	841
516,4	19	2,0	5,50	HR041	80B	2	846
488,1	20	3,7	5,82	HR051	80B	2	2299
478,9	21	0,9	2,94	HA31	80D ⁽¹⁾	4	639
478,9	21	1,2	2,94	HA41	80D ⁽¹⁾	4	647
478,9	21	1,9	2,94	HA51	80D/90S	4	1782
470,0	22	1,3	2,00	HR041	90L	6	862
466,3	21	1,8	6,09	HR041	80B	2	868
455,9	21	3,7	6,23	H032	80B	2	3263
450,8	23	1,9	3,11	HR041	80D/90S	4	872
445,3	23	3,7	3,17	HR051	80D/90S	4	2357
443,9	23	0,9	3,18	HA31	80D ⁽¹⁾	4	656
437,6	24	2,9	2,13	HR051	90L/100LR	6	2368
435,8	22	2,7	6,52	HA32	80B	2	923
420,0	24	0,8	3,36	HA31	80D ⁽¹⁾	4	668
393,0	26	1,7	3,59	HR041	80D/90S	4	902
387,3	25	3,0	7,33	HR051	80B	2	2460
382,4	27	3,4	3,69	HR051	80D/90S	4	2463
372,0	28	3,4	2,50	HA61	90L/100LR	6	2901
370,4	27	1,4	7,67	HR041	80B	2	919
369,3	28	1,3	2,55	HR041	90L	6	914
366,5	27	2,5	7,75	HA61	80B	2	2916
365,9	27	3,5	7,76	H032	80B	2	3470
365,6	28	2,8	2,57	HR051	90L/100LR	6	2493
352,5	29	3,1	4,00	HR051	80D/90S	4	2500
350,2	28	2,0	8,11	HA32	80B	2	993
350,2	28	3,5	8,11	HA42	80B	2	2091
346,3	30	1,2	2,71	HR041	90L	6	928
339,1	29	2,6	8,38	HR051	80B	2	2500
333,3	31	1,5	4,20	HR041	80D/90S	4	937
324,6	30	1,4	8,75	HR041	80B	2	948
321,6	32	3,5	4,38	HA61	80D/90S	4	3045
320,3	30	3,2	8,87	H032	80B	2	3599
315,8	33	1,3	2,94	HA51	90L	6	2047
302,7	34	1,4	3,11	HR041	90L	6	956
300,3	34	2,8	4,70	H032	80D/90S	4	3650
296,8	34	0,9	4,75	HA41	80D ⁽¹⁾	4	758
296,8	35	2,6	3,17	HR051	90L/100LR	6	2500
294,7	35	1,4	4,75	HA51	80D/90S	4	2095
293,5	35	2,7	4,77	HR051	80D/90S	4	2500

⁽¹⁾ Available only with brake motor (TBS)

1,10 kW

n ₂ [rpm]	M ₂ [Nm]	f _s	i	Gear reducer	Motor		Fr ₂ [N]
					Size	Pole	
282,0	36	1,2	5,00	HR041	80D/90S	4	973
280,0	35	3,0	10,14	H032	80B	2	3731
268,6	38	2,6	5,25	HR051	80D/90S	4	2500
266,3	37	1,4	10,67	HA61	80B	2	3243
262,1	38	2,1	5,38	HA32	80D ⁽¹⁾	4	1094
260,3	39	3,6	5,38	HA42	80D/90S	4	2308
259,2	40	1,2	3,59	HR041	90L	6	988
258,8	38	1,8	10,94	HA32	80B	2	1098
258,8	38	3,0	10,94	HA42	80B	2	2312
256,7	40	1,3	5,45	HA51	80D/90S	4	2194
256,4	40	1,3	5,50	HR041	80D/90S	4	992
252,2	41	2,3	3,69	HR051	90L/100LR	6	2500
252,2	41	3,9	3,69	HR061	90L/100LR	6	3700
242,3	42	2,4	5,82	HR051	80D/90S	4	2500
241,5	40	2,7	11,76	H032	80B	2	3879
235,0	44	2,2	4,00	HR051	90L/100LR	6	2500
235,0	44	3,6	4,00	HR061	90L/100LR	6	3700
231,5	44	1,1	6,09	HR041	80D/90S	4	1000
226,4	45	2,4	6,23	H032	80D/90S	4	3927
223,8	46	1,0	4,20	HR041	90L	6	1000
216,3	47	1,7	6,52	HA32	80D ⁽¹⁾	4	1166
216,3	47	3,0	6,52	HA42	80D/90S	4	2455
213,6	46	1,3	13,25	HA32	80B	2	1171
213,6	46	2,3	13,25	HA42	80B	2	2465
212,1	49	2,4	4,38	HA61	90L/100LR	6	3499
207,0	47	2,7	13,72	H032	80B	2	4033
200,2	51	2,0	4,70	H032	90L/100LR	6	4043
195,8	53	1,0	4,75	HA51	90L	6	2401
195,0	53	1,9	4,77	HR051	90L/100LR	6	2500
195,0	53	3,2	4,77	HR061	90L/100LR	6	3700
194,8	52	3,1	7,19	H042	80D/90S	4	5306
193,8	50	2,5	14,66	H032	80B	2	4099
192,3	53	1,9	7,33	HR051	80D/90S	4	2500
192,3	53	3,2	7,33	HR061	80D/90S	4	3700
183,9	55	0,9	7,67	HR041	80D/90S	4	1000
181,9	56	1,6	7,75	HA61	80D/90S	4	3682
181,6	56	2,3	7,76	H032	80D/90S	4	4144
177,9	55	3,4	15,96	H042	80B	2	5456
177,1	58	1,8	5,25	HR051	90L/100LR	6	2500
177,1	58	3,1	5,25	HR061	90L/100LR	6	3700
173,9	58	1,3	8,11	HA32	80D ⁽¹⁾	4	1254
173,9	58	2,2	8,11	HA42	80D/90S	4	2640

⁽¹⁾ Available only with brake motor (TBS)

1,10 kW

n ₂ [rpm]	M ₂ [Nm]	f _s	i	Gear reducer	Motor Size	Pole	Fr ₂ [N]
172,9	59	2,5	5,38	HA42	90L	6	2645
172,3	60	0,9	5,45	HA51	90L	6	2505
172,2	57	1,1	16,49	HA32	80B	2	1258
172,2	57	1,9	16,49	HA42	80B	2	2649
170,3	60	2,8	5,46	H042	90L/100LR	6	5500
168,8	58	2,5	16,77	H032	80B	2	4237
168,4	61	1,7	8,38	HR051	80D/90S	4	2500
168,4	61	2,8	8,38	HR061	80D/90S	4	3700
167,9	58	3,9	16,91	HA52	80B	2	3339
161,6	64	1,6	5,82	HR051	90L/100LR	6	2500
161,6	64	2,8	5,82	HR061	90L/100LR	6	3700
158,2	64	3,3	8,91	H042	80D/90S	4	5614
157,9	64	2,0	8,87	H032	80D/90S	4	4280
155,5	63	2,4	18,20	H032	80B	2	4319
149,5	65	2,9	19,00	H042	80B	2	5719
149,5	68	3,7	6,22	HA52	90L/100LR	6	3471
149,3	68	1,6	6,23	H032	90L/100LR	6	4327
144,2	71	2,1	6,52	HA42	90L	6	2810
142,7	68	2,2	19,90	H032	80B	2	4403
139,7	70	1,6	20,26	HA42	80B	2	2840
139,0	73	1,9	10,14	H032	80D/90S	4	4402
138,8	70	3,1	20,46	HA52	80B	2	3558
136,7	74	3,3	10,31	H042	80D/90S	4	5835
135,2	72	2,6	21,00	H042	80B	2	5873
131,3	78	0,9	10,67	HA61	80D/90S	4	4106
129,4	79	2,1	7,19	H042	90L/100LR	6	5912
128,9	78	1,2	10,94	HA32	80D ⁽¹⁾	4	1386
128,0	79	1,9	10,94	HA42	80D/90S	4	2924
126,8	81	1,3	7,33	HR051	90L	6	2500
126,8	81	2,2	7,33	HR061	90L/100LR	6	3700
125,2	78	1,9	22,68	H032	80B	2	4529
122,3	80	2,4	23,15	H042	80B	2	6028
120,3	85	3,0	7,73	HA52	90L/100LR	6	3732
120,0	84	3,3	11,67	HA52	80D/90S	4	3735
120,0	86	1,1	7,75	HA61	90L	6	4230
119,8	85	1,5	7,76	H032	90L/100LR	6	4532
119,2	82	1,8	23,83	H032	80B	2	4576
119,0	85	1,7	11,76	H032	80D/90S	4	4547
118,6	85	2,9	11,80	H042	80D/90S	4	6050
115,7	84	1,4	24,55	HA42	80B	2	3024
114,7	89	1,5	8,11	HA42	90L	6	3033
111,7	87	2,4	25,43	HA52	80B	2	3825

⁽¹⁾ Available only with brake motor (TBS)

1,10 kW

n2 [rpm]	M2 [Nm]	fs	i	Gear reducer	Motor Size	Pole	Fr2 [N]
111,7	87	3,7	25,43	HA62	80B	2	5646
111,0	93	1,1	8,38	HR051	90L	6	2500
111,0	93	1,9	8,38	HR061	90L/100LR	6	3700
110,1	93	3,9	8,44	HR081	90L	6	4000
109,1	93	3,8	8,53	H052	90L/100LR	6	7965
108,7	90	2,2	26,04	H042	80B	2	6211
107,2	91	1,7	26,39	H032	80B	2	4674
106,4	95	0,8	13,25	HA32	80D ⁽¹⁾	4	1477
106,4	95	1,5	13,25	HA42	80D/90S	4	3110
104,9	97	1,4	8,87	H032	90L/100LR	6	4649
104,3	98	2,3	8,91	H042	90L/100LR	6	6238
103,2	98	2,6	13,57	H042	80D/90S	4	6263
102,9	95	2,2	27,50	H042	80B	2	6295
102,0	99	1,7	13,72	H032	80D/90S	4	4683
99,5	98	3,8	28,44	H052	80B	2	8000
97,3	105	3,7	9,56	H052	90L/100LR	6	8000
97,2	104	2,7	14,50	HA52	80D/90S	4	4006
96,4	106	3,0	9,64	HA52	90L/100LR	6	4017
95,6	102	1,5	29,70	H032	80B	2	4776
95,5	106	1,6	14,66	H032	80D/90S	4	4739
94,7	103	2,2	29,89	HA52	80B	2	4042
94,7	103	3,3	29,89	HA62	80B	2	5965
93,0	105	1,0	30,55	HA42	80B	2	3253
92,9	105	2,0	30,45	H042	80B	2	6454
91,7	111	1,3	10,14	H032	90L/100LR	6	4761
90,2	113	2,2	10,31	H042	90L/100LR	6	6458
90,1	108	3,4	31,52	H052	80B	2	8000
87,7	115	2,2	15,96	H042	80D/90S	4	6509
86,3	113	1,3	32,89	H032	80B	2	4862
86,1	113	3,2	33,00	H052	80B	2	8000
85,0	120	1,3	10,94	HA42	90L	6	3351
84,9	119	1,2	16,49	HA42	80D/90S	4	3353
84,4	120	3,8	16,59	H052	80D/90S	4	8000
83,5	121	1,6	16,77	H032	80D/90S	4	4845
83,3	117	1,8	34,10	H042	80B	2	6600
82,8	122	2,5	16,91	HA52	80D/90S	4	4227
80,8	126	3,2	11,51	H052	90L/100LR	6	8000
79,7	128	2,3	11,67	HA52	90L/100LR	6	4280
79,7	128	3,6	11,67	HA62	90L/100LR	6	6317
79,1	129	1,2	11,76	H032	90L/100LR	6	4873
78,8	129	2,0	11,80	H042	90L/100LR	6	6600
78,5	124	1,8	36,17	HA52	80B	2	4302

⁽¹⁾ Available only with brake motor (TBS)

1,10 kW

n ₂ [rpm]	M ₂ [Nm]	f _s	i	Gear reducer	Motor Size	Pole	Fr ₂ [N]
78,5	124	2,8	36,17	HA62	80B	2	6349
77,8	130	3,5	18,00	H052	80D/90S	4	8000
76,9	131	1,5	18,20	H032	80D/90S	4	4905
74,9	130	1,2	37,92	H032	80B	2	4973
74,9	130	1,6	37,76	H042	80B	2	6600
73,7	137	1,8	19,00	H042	80D/90S	4	6600
72,9	134	2,8	38,98	H052	80B	2	8000
70,4	143	1,4	19,90	H032	80D/90S	4	4965
70,2	145	1,0	13,25	HA42	90L	6	3572
70,1	144	3,2	19,97	H052	80D/90S	4	8000
69,1	146	1,0	20,26	HA42	80D/90S	4	3591
68,6	142	1,1	41,40	H032	80B	2	5035
68,5	149	1,8	13,57	H042	90L/100LR	6	6600
68,4	147	2,0	20,46	HA52	80D/90S	4	4504
68,4	147	3,1	20,46	HA62	80D/90S	4	6647
67,8	150	1,2	13,72	H032	90L/100LR	6	4973
66,7	151	1,7	21,00	H042	80D/90S	4	6600
65,3	156	2,9	14,24	H052	90L/100LR	6	8000
64,9	150	1,4	43,75	H042	80B	2	6600
64,6	156	3,0	21,67	H052	80D/90S	4	8000
64,1	159	1,9	14,50	HA52	90L/100LR	6	4602
64,1	159	2,8	14,50	HA62	90L/100LR	6	6792
63,5	161	1,1	14,66	H032	90L/100LR	6	5011
63,0	155	1,4	44,95	HA52	80B	2	4630
63,0	155	2,1	44,95	HA62	80B	2	6834
62,4	156	2,4	45,36	H052	80B	2	8000
61,7	163	1,2	22,68	H032	80D/90S	4	5042
60,5	167	1,6	23,15	H042	80D/90S	4	6600
59,7	163	1,3	47,53	H042	80B	2	6600
58,7	172	1,2	23,83	H032	80D/90S	4	5067
58,3	175	1,5	15,96	H042	90L/100LR	6	6600
57,6	169	2,2	49,13	H052	80B	2	8000
57,1	171	1,3	49,78	HA52	80B	2	4785
57,1	171	1,6	49,78	HA62	80B	2	7062
57,0	177	0,9	24,55	HA42	80D/90S	4	3828
56,8	168	1,3	49,80	HA53	80B	2	4791
56,8	168	2,1	49,80	HA63	80B	2	7072
56,7	178	2,6	24,71	H052	80D/90S	4	8000
56,4	181	0,8	16,49	HA42	90L	6	3843
56,0	182	2,6	16,59	H052	90L/100LR	6	8000
55,5	184	1,1	16,77	H032	90L/100LR	6	5074
55,1	183	1,5	25,43	HA52	80D/90S	4	4842

1,10 kW

n ₂ [rpm]	M ₂ [Nm]	f _s	i	Gear reducer	Motor		Fr ₂ [N]
					Size	Pole	
55,1	183	2,3	25,43	HA62	80D/90S	4	7147
55,0	185	1,7	16,91	HA52	90L/100LR	6	4844
55,0	185	2,8	16,91	HA62	90L/100LR	6	7150
53,8	188	1,4	26,04	H042	80D/90S	4	6600
53,5	189	2,6	26,18	H052	80D/90S	4	8000
53,0	190	1,1	26,39	H032	80D/90S	4	5110
52,2	187	1,1	54,25	H042	80B	2	6600
51,7	197	2,5	18,00	H052	90L/100LR	6	8000
51,1	199	1,1	18,20	H032	90L/100LR	6	5102
50,9	198	1,4	27,50	H042	80D/90S	4	6600
50,4	193	1,9	56,11	H052	80B	2	8000
49,2	205	2,4	28,44	H052	80D/90S	4	8000
48,9	208	1,3	19,00	H042	90L/100LR	6	6600
48,1	198	1,9	58,81	H053	80B	2	8000
47,7	211	3,8	29,33	H062	80D/90S	4	12000
47,1	214	0,9	29,70	H032	80D/90S	4	5144
47,0	203	1,1	60,25	HA53	80B	2	5105
47,0	203	1,8	60,25	HA63	80B	2	7535
46,8	215	1,4	29,89	HA52	80D/90S	4	5110
46,8	215	2,1	29,89	HA62	80D/90S	4	7543
46,7	218	1,0	19,90	H032	90L	6	5123
46,6	219	2,2	19,97	H052	90L/100LR	6	8000
46,0	219	1,3	30,45	H042	80D/90S	4	6600
45,8	208	1,1	61,83	H043	80B	2	6600
45,7	213	1,0	61,87	HA52	80B	2	5151
45,7	213	1,6	61,87	HA62	80B	2	7602
45,5	224	1,4	20,46	HA52	90L/100LR	6	5162
45,5	224	2,2	20,46	HA62	90L/100LR	6	7618
44,4	227	2,2	31,52	H052	80D/90S	4	8000
44,3	230	1,1	21,00	H042	90L/100LR	6	6600
43,8	231	3,7	32,00	H062	80D/90S	4	12000
42,9	237	2,1	21,67	H052	90L/100LR	6	8000
42,4	238	2,1	33,00	H052	80D/90S	4	8000
41,1	246	1,1	34,10	H042	80D/90S	4	6600
40,2	253	1,1	23,15	H042	90L	6	6600
40,0	255	3,5	23,27	H062	90L/100LR	6	12000
38,9	245	1,5	72,75	H053	80B	2	8000
38,7	261	1,2	36,17	HA52	80D/90S	4	5445
38,7	261	1,8	36,17	HA62	80D/90S	4	8000
37,8	266	3,0	36,99	H062	80D/90S	4	12000
37,8	252	0,9	74,88	HA53	80B	2	5489
37,8	252	1,4	74,88	HA63	80B	2	8000

1,10 kW

n ₂ [rpm]	M ₂ [Nm]	f _s	i	Gear reducer	Motor		Fr ₂ [N]
					Size	Pole	
37,6	271	1,8	24,71	H052	90L/100LR	6	8000
37,1	272	1,0	37,76	H042	80D/90S	4	6600
36,6	279	1,1	25,43	HA52	90L/100LR	6	5549
36,6	279	1,6	25,43	HA62	90L/100LR	6	8000
36,2	281	3,2	25,70	H062	90L/100LR	6	12000
35,9	281	1,7	38,98	H052	80D/90S	4	8000
35,7	285	1,0	26,04	H042	90L/100LR	6	6600
35,5	287	1,8	26,18	H052	90L/100LR	6	8000
34,7	291	2,9	40,33	H062	80D/90S	4	12000
33,8	301	1,0	27,50	H042	90L	6	6600
33,0	289	2,2	85,82	H063	80B	2	12000
32,7	309	0,9	43,75	H042	90S	4	6600
32,7	311	1,7	28,44	H052	90L/100LR	6	8000
32,2	296	1,2	88,02	HA63	80B	2	8000
31,7	321	2,6	29,33	H062	90L/100LR	6	12000
31,3	305	1,2	90,51	H053	80B	2	8000
31,1	327	1,0	29,89	HA52	90L	6	5857
31,1	324	0,9	44,95	HA52	80D/90S	4	5855
31,1	327	1,4	29,89	HA62	90L	6	8000
31,1	324	1,4	44,95	HA62	80D/90S	4	8000
30,9	327	1,5	45,36	H052	80D/90S	4	8000
30,4	332	2,6	46,06	H062	80D/90S	4	12000
29,9	319	2,0	94,76	H063	80B	2	12000
29,5	345	1,5	31,52	H052	90L/100LR	6	8000
29,1	350	2,5	32,00	H062	90L/100LR	6	12000
28,5	354	1,4	49,13	H052	80D/90S	4	8000
28,3	349	2,4	49,45	H063	90S	4	12000
28,2	361	1,4	33,00	H052	90L	6	8000
28,1	359	0,8	49,78	HA52	80D/90S	4	6000
28,1	351	0,9	49,80	HA53	80D/90S	4	6000
28,1	359	1,0	49,78	HA62	80D/90S	4	8000
28,1	351	1,4	49,80	HA63	80D/90S	4	8000
26,0	367	1,0	108,95	H053	80B	2	8000
26,0	392	0,8	36,17	HA52	90L	6	6000
25,7	396	1,2	36,17	HA62	90L	6	8000
25,6	385	2,2	54,61	H063	90S	4	12000
25,1	405	2,1	36,99	H062	90L/100LR	6	12000
25,1	380	3,6	112,78	H083	80B	2	18000
24,9	404	1,2	56,11	H052	80D/90S	4	8000
24,0	397	1,6	118,00	H063	80B	2	12000
24,0	424	4,0	38,70	H082	90L	6	18000
23,9	427	1,2	38,98	H052	90L/100LR	6	8000

5.1 H/HA GEARED MOTORS (50Hz)

1,10 kW

n ₂ [rpm]	M ₂ [Nm]	f _s	i	Gear reducer	Motor		Fr ₂ [N]
					Size	Pole	
23,8	415	1,2	58,81	H053	80D/90S	4	8000
23,2	425	1,1	60,25	HA63	80D/90S	4	8000
23,1	442	2,0	40,33	H062	90L/100LR	6	12000
22,7	419	3,2	124,44	H083	80B	2	18000
22,6	446	1,0	61,87	HA62	80D/90S	4	8000
21,8	468	3,6	42,75	H082	90L/100LR	6	18000
20,9	456	1,4	135,40	H063	80B	2	12000
20,7	492	0,9	44,95	HA62	90L	6	8000
20,6	480	1,8	68,00	H063	90S	4	12000
20,5	497	1,0	45,36	H052	90L	6	8000
20,2	504	1,8	46,06	H062	90L/100LR	6	12000
19,9	479	2,8	142,15	H083	80B	2	18000
19,6	504	3,6	71,48	H083	80D/90S	4	18000
19,3	527	3,2	48,13	H082	90L/100LR	6	18000
19,2	513	1,0	72,75	H053	80D/90S	4	8000
18,9	538	1,0	49,13	H052	90L	6	8000
18,9	503	1,3	149,51	H063	80B	2	12000
18,8	530	1,7	49,45	H063	90L/100LR	6	12000
18,7	528	0,9	74,88	HA63	80D/90S	4	8000
18,7	534	0,9	49,80	HA63	90L	6	8000
18,3	521	2,6	154,76	H083	80B	2	18000
17,8	556	3,2	78,87	H083	80D/90S	4	18000
17,4	547	2,5	162,35	H083	80B	2	18000
17,0	586	1,5	54,61	H063	90L/100LR	6	12000
16,6	575	1,1	170,67	H063	80B	2	12000
16,5	606	2,8	56,53	H083	90L/100LR	6	18000
16,4	603	3,0	85,56	H083	80D/90S	4	18000
16,3	605	1,4	85,82	H063	80D/90S	4	12000
15,8	603	2,2	179,13	H083	80B	2	18000
15,2	627	1,0	186,18	H063	80B	2	12000
14,8	668	1,3	94,76	H063	80D/90S	4	12000
14,5	657	2,1	195,07	H083	80B	2	18000
14,3	692	2,6	98,09	H083	80D/90S	4	18000
13,7	729	1,2	68,00	H063	90L/100LR	6	12000
13,0	767	2,5	71,48	H083	90L/100LR	6	18000
12,7	750	1,8	222,78	H083	80B	2	18000
12,4	796	2,3	112,78	H083	80D/90S	4	18000
11,9	832	1,0	118,00	H063	80D/90S	4	12000
11,8	846	2,2	78,87	H083	90L/100LR	6	18000
11,3	878	2,1	124,44	H083	80D/90S	4	18000
10,9	918	2,1	85,56	H083	90L/100LR	6	18000
10,8	920	1,0	85,82	H063	90L/100LR	6	12000

5.1 H/HA GEARED MOTORS (50Hz)

1,10 kW

n2 [rpm]	M2 [Nm]	fs	i	Gear reducer	Motor Size	Pole	Fr2 [N]
10,6	935	0,9	135,40	H063	90S	4	12000
10,2	980	3,7	93,36	H103	100LR	6	22000
9,8	1003	1,8	142,15	H083	80D/90S	4	18000
9,8	1012	3,5	143,42	H103	90S	4	22000
9,5	1052	1,8	98,09	H083	90L/100LR	6	18000
9,5	1051	3,5	100,07	H103	100LR	6	22000
9,0	1092	1,6	154,76	H083	80D/90S	4	18000
8,7	1134	3,1	160,82	H103	90S	4	22000
8,6	1145	1,6	162,35	H083	80D/90S	4	18000
8,2	1210	1,6	112,78	H083	90L/100LR	6	18000
7,9	1269	2,9	120,84	H103	100LR	6	22000
7,8	1263	1,4	179,13	H083	80D/90S	4	18000
7,7	1277	2,7	181,07	H103	90S	4	22000
7,5	1335	1,4	124,44	H083	90L/100LR	6	18000
7,4	1346	3,9	128,18	H123	100LR	6	30000
7,2	1376	1,3	195,07	H083	80D/90S	4	18000
7,2	1370	2,6	194,21	H103	90S	4	22000
7,1	1407	2,6	134,06	H103	100LR	6	22000
6,6	1520	3,5	144,79	H123	100LR	6	30000
6,5	1524	1,2	142,15	H083	90L/100LR	6	18000
6,5	1538	2,4	143,42	H103	90L/100LR	6	22000
6,5	1520	2,3	215,45	H103	90S	4	22000
6,3	1571	1,1	222,78	H083	80D/90S	4	18000
6,1	1630	3,2	155,22	H123	100LR	6	30000
6,0	1660	1,1	154,76	H083	90L/100LR	6	18000
5,8	1725	2,1	160,82	H103	90L/100LR	6	22000
5,8	1711	2,1	242,59	H103	90S	4	22000
5,7	1741	1,1	162,35	H083	90L	6	18000
5,5	1814	2,9	172,80	H123	100LR	6	30000
5,2	1921	1,0	179,13	H083	90L	6	18000
5,1	1942	1,9	181,07	H103	90L/100LR	6	22000
5,0	1986	2,6	189,19	H123	100LR	6	30000
4,8	2092	0,9	195,07	H083	90L	6	18000
4,8	2083	1,8	194,21	H103	90L/100LR	6	22000
4,6	2178	2,4	207,43	H123	100LR	6	30000
4,3	2311	1,6	215,45	H103	90L/100LR	6	22000
4,1	2424	2,2	230,92	H123	100LR	6	30000
3,8	2602	1,5	242,59	H103	90L/100LR	6	22000
3,7	2726	1,9	259,64	H123	100LR	6	30000

1,50 kW

n ₂ [rpm]	M ₂ [Nm]	f _s	i	Gear reducer	Motor		Fr ₂ [N]
					Size	Pole	
1954,8	7	3,1	1,44	HR041	80C/90S	2	570
1940,2	7	2,7	1,45	HA41	80C ⁽¹⁾	2	406
1405,0	10	2,2	2,00	HR041	80C/90S	2	627
1103,9	12	2,1	2,55	HR041	80C/90S	2	670
1102,0	12	1,2	2,55	HA31	80C ⁽¹⁾	2	484
1100,0	13	3,6	1,27	HR051	90L/90LA	4	1775
1035,3	13	2,0	2,71	HR041	80C/90S	2	682
987,8	14	2,0	1,44	HR041	90L/90LA	4	689
980,5	14	2,8	1,45	HA51	90L/90LA	4	1403
954,3	14	1,1	2,94	HA31	80C ⁽¹⁾	2	508
954,3	14	1,3	2,94	HA41	80C ⁽¹⁾	2	514
954,3	14	2,1	2,94	HA51	80C/90S	2	1416
904,9	15	2,2	3,11	HR041	80C/90S	2	707
783,1	17	2,0	3,59	HR041	80C/90S	2	735
762,0	18	3,8	3,69	HR051	80C/90S	2	1984
738,6	19	2,5	1,27	HR051	100L/100LA	6	1997
710,0	20	1,4	2,00	HR041	90L/90LA	4	750
702,5	19	3,5	4,00	HR051	80C/90S	2	2032
669,0	20	1,7	4,20	HR041	80C/90S	2	764
668,2	21	3,1	2,13	HR051	90L/90LA	4	2057
662,3	21	3,2	1,42	HR051	100L/100LA	6	2061
640,9	21	3,9	4,38	HA61	80C/90S	2	2420
598,4	22	3,2	4,70	H032	80C/90S	2	2955
591,6	23	1,7	4,75	HA51	80C/90S	2	1661
589,2	23	3,1	4,77	HR051	80C/90S	2	2138
562,0	24	1,4	5,00	HR041	80C/90S	2	797
560,0	25	3,6	2,50	HA61	90L/90LA	4	2531
557,9	25	1,4	2,55	HR041	90L/90LA	4	795
544,4	26	2,9	2,57	HR051	90L/90LA	4	2181
535,2	25	3,0	5,25	HR051	80C/90S	2	2197
523,2	27	1,3	2,71	HR041	90L/90LA	4	807
522,4	25	2,4	5,38	HA32	80C ⁽¹⁾	2	869
515,2	26	1,4	5,45	HA51	80C/90S	2	1739
510,9	26	1,4	5,50	HR041	80C/90S	2	815
483,0	28	2,7	5,82	HR051	80C/90S	2	2262
482,3	29	1,4	2,94	HA51	90L/90LA	4	1778
461,3	29	1,3	6,09	HR041	80C/90S	2	834
451,1	29	2,7	6,23	H032	80C/90S	2	3191
450,8	31	1,4	3,11	HR041	90L/90LA	4	834
448,4	31	2,7	3,17	HR051	90L/90LA	4	2303
442,4	32	2,2	2,13	HR051	100L/100LA	6	2309
431,2	31	1,9	6,52	HA32	80C ⁽¹⁾	2	927

⁽¹⁾ Available only with brake motor (TBS)

1,50 kW

n ₂ [rpm]	M ₂ [Nm]	f _s	i	Gear reducer	Motor		Fr ₂ [N]
					Size	Pole	
431,2	31	3,4	6,52	HA42	80C/90S	2	1951
391,0	34	3,5	7,19	H042	80C/90S	2	4276
390,2	36	1,3	3,59	HR041	90L/90LA	4	859
383,2	35	2,1	7,33	HR051	80C/90S	2	2411
383,2	35	3,6	7,33	HR061	80C/90S	2	3602
379,7	37	2,5	3,69	HR051	90L/90LA	4	2409
372,0	38	2,5	2,50	HA61	100L/100LA	6	2901
366,5	37	1,0	7,67	HR041	80C/90S	2	876
362,6	37	1,8	7,75	HA61	80C/90S	2	2926
362,0	37	2,6	7,76	H032	80C/90S	2	3379
361,7	39	2,0	2,57	HR051	100L/100LA	6	2439
361,7	39	3,8	2,57	HR061	100L/100LA	6	3659
350,0	40	2,3	4,00	HR051	90L/90LA	4	2462
350,0	40	3,8	4,00	HR061	90L/90LA	4	3696
346,5	38	1,5	8,11	HA32	80C ⁽¹⁾	2	997
346,5	38	2,5	8,11	HA42	80C/90S	2	2098
335,5	40	1,9	8,38	HR051	80C/90S	2	2499
335,5	40	3,2	8,38	HR061	80C/90S	2	3700
333,3	42	1,1	4,20	HR041	90L/90LA	4	885
328,0	41	1,0	8,75	HR041	90S	2	895
319,3	44	2,5	4,38	HA61	90L/90LA	4	3053
316,9	42	2,3	8,87	H032	80C/90S	2	3493
315,3	42	3,7	8,91	H042	80C/90S	2	4544
298,1	46	2,1	4,70	H032	90L/90LA	4	3529
297,7	47	2,0	4,77	HR051	90L/90LA	4	2500
297,7	47	3,4	4,77	HR061	90L/90LA	4	3700
294,7	47	1,1	4,75	HA51	90L/90LA	4	2095
293,7	48	1,9	3,17	HR051	100L/100LA	6	2500
293,7	48	3,1	3,17	HR061	100L/100LA	6	3700
280,0	50	0,9	5,00	HR041	90L/90LA	4	912
277,0	48	2,2	10,14	H032	80C/90S	2	3609
272,4	49	3,7	10,31	H042	80C/90S	2	4730
266,7	52	1,9	5,25	HR051	90L/90LA	4	2500
266,7	52	3,3	5,25	HR061	90L/90LA	4	3700
263,4	51	1,0	10,67	HA61	80C/90S	2	3255
260,3	53	2,6	5,38	HA42	90L/90LA	4	2308
256,9	52	1,3	10,94	HA32	80C ⁽¹⁾	2	1101
256,9	52	2,2	10,94	HA42	80C/90S	2	2318
256,7	54	0,9	5,45	HA51	90L/90LA	4	2194
256,3	54	3,0	5,46	H042	90L/90LA	4	4794
254,5	55	0,9	5,50	HR041	90L/90LA	4	926
252,2	56	1,7	3,69	HR051	100L/100LA	6	2500

⁽¹⁾ Available only with brake motor (TBS)

1,50 kW

n ₂ [rpm]	M ₂ [Nm]	f _s	i	Gear reducer	Motor		Fr ₂ [N]
					Size	Pole	
252,2	56	2,8	3,69	HR061	100L/100LA	6	3700
240,9	55	3,8	11,67	HA52	80C/90S	2	2961
240,6	58	1,7	5,82	HR051	90L/90LA	4	2500
240,6	58	2,9	5,82	HR061	90L/90LA	4	3700
238,9	56	2,0	11,76	H032	80C/90S	2	3735
238,1	56	3,4	11,80	H042	80C/90S	2	4905
235,0	60	1,6	4,00	HR051	100L/100LA	6	2500
235,0	60	2,6	4,00	HR061	100L/100LA	6	3700
225,0	61	3,9	6,22	HA52	90L/90LA	4	3029
224,7	61	1,7	6,23	H032	90L/90LA	4	3764
214,8	64	2,2	6,52	HA42	90L/90LA	4	2461
212,1	63	1,7	13,25	HA42	80C/90S	2	2471
212,1	66	1,7	4,38	HA61	100L/100LA	6	3499
207,1	64	2,9	13,57	H042	80C/90S	2	5089
204,8	65	2,0	13,72	H032	80C/90S	2	3864
198,0	70	1,4	4,70	H032	100L/100LA	6	3859
195,0	72	1,4	4,77	HR051	100L/100LA	6	2500
195,0	72	2,3	4,77	HR061	100L/100LA	6	3700
194,8	71	2,3	7,19	H042	90L/90LA	4	5150
193,8	68	3,1	14,50	HA52	80C/90S	2	3183
191,7	69	1,8	14,66	H032	80C/90S	2	3918
190,9	73	1,4	7,33	HR051	90L/90LA	4	2500
190,9	73	2,3	7,33	HR061	90L/90LA	4	3700
181,0	76	3,2	7,73	HA52	90L/90LA	4	3256
180,8	77	3,3	5,14	HA52	100L/100LA	6	3257
180,6	77	1,2	7,75	HA61	90L/90LA	4	3691
180,4	76	1,6	7,76	H032	90L/90LA	4	3939
177,1	79	1,3	5,25	HR051	100L/100LA	6	2500
177,1	79	2,3	5,25	HR061	100L/100LA	6	3700
176,1	75	2,5	15,96	H042	80C/90S	2	5305
172,6	80	1,6	8,11	HA42	90L/90LA	4	2647
170,4	78	1,3	16,49	HA42	80C/90S	2	2658
170,3	82	2,1	5,46	H042	100L/100LA	6	5319
167,6	79	1,8	16,77	H032	80C/90S	2	4025
167,2	83	1,2	8,38	HR051	90L/90LA	4	2500
167,2	83	2,0	8,38	HR061	90L/90LA	4	3700
166,2	80	2,8	16,91	HA52	80C/90S	2	3351
162,4	86	3,2	5,73	H052	100L/100LA	6	6961
159,8	88	1,2	5,82	HR051	100L/100LA	6	2500
159,8	88	2,0	5,82	HR061	100L/100LA	6	3700
157,9	87	1,5	8,87	H032	90L/90LA	4	4039
157,1	88	2,4	8,91	H042	90L/90LA	4	5431

1,50 kW

n ₂ [rpm]	M ₂ [Nm]	f _s	i	Gear reducer	Motor		Fr ₂ [N]
					Size	Pole	
154,4	86	1,7	18,20	H032	80C/90S	2	4087
152,9	92	3,9	6,08	HR081	100L/100LA	6	4000
149,5	93	2,7	6,22	HA52	100L/100LA	6	3471
149,3	93	1,2	6,23	H032	100L/100LA	6	4069
147,9	90	2,1	19,00	H042	80C/90S	2	5537
146,4	94	3,9	9,56	H052	90L/90LA	4	7166
145,2	95	3,2	9,64	HA52	90L/90LA	4	3505
141,2	94	1,6	19,90	H032	80C/90S	2	4153
140,7	94	3,7	19,97	H052	80C/90S	2	7267
138,7	96	1,2	20,26	HA42	80C/90S	2	2847
138,0	100	1,4	10,14	H032	90L/90LA	4	4133
137,3	97	2,3	20,46	HA52	80C/90S	2	3570
137,3	97	3,6	20,46	HA62	80C/90S	2	5270
135,7	101	2,4	10,31	H042	90L/90LA	4	5621
134,9	103	3,0	6,89	H052	100L/100LA	6	7319
133,8	99	1,9	21,00	H042	80C/90S	2	5670
129,7	102	3,4	21,67	H052	80C/90S	2	7428
129,4	107	1,6	7,19	H042	100L/100LA	6	5674
128,0	107	1,4	10,94	HA42	90L/90LA	4	2924
126,8	111	1,6	7,33	HR061	100L/100LA	6	3700
124,0	113	3,2	7,50	HR081	100L/100LA	6	4000
123,9	107	1,4	22,68	H032	80C/90S	2	4243
121,6	113	3,4	11,51	H052	90L/90LA	4	7530
121,4	109	1,8	23,15	H042	80C/90S	2	5797
120,3	115	2,2	7,73	HA52	100L/100LA	6	3732
120,3	115	3,5	7,73	HA62	100L/100LA	6	5508
120,0	115	2,4	11,67	HA52	90L/90LA	4	3735
120,0	115	3,8	11,67	HA62	90L/90LA	4	5512
119,8	116	1,1	7,76	H032	100L/100LA	6	4210
119,0	116	1,3	11,76	H032	90L/90LA	4	4226
118,6	116	2,2	11,80	H042	90L/90LA	4	5794
117,9	113	1,3	23,83	H032	80C/90S	2	4274
114,5	116	1,0	24,55	HA42	80C/90S	2	3035
113,7	117	3,0	24,71	H052	80C/90S	2	7692
111,0	126	1,4	8,38	HR061	100L/100LA	6	3700
110,5	120	1,7	25,43	HA52	80C/90S	2	3839
110,5	120	2,7	25,43	HA62	80C/90S	2	5666
110,1	127	2,9	8,44	HR081	100L/100LA	6	4000
109,1	127	2,8	8,53	H052	100L/100LA	6	7738
107,9	123	1,6	26,04	H042	80C/90S	2	5950
107,3	124	3,0	26,18	H052	80C/90S	2	7809
106,5	125	1,2	26,39	H032	80C/90S	2	4335

1,50 kW

n2 [rpm]	M2 [Nm]	fs	i	Gear reducer	Motor		Fr2 [N]
					Size	Pole	
105,7	130	1,1	13,25	HA42	90L/90LA	4	3117
104,9	132	1,0	8,87	H032	100L/100LA	6	4282
104,3	133	1,7	8,91	H042	100L/100LA	6	5943
103,2	133	1,9	13,57	H042	90L/90LA	4	5968
102,2	130	1,6	27,50	H042	80C/90S	2	6019
102,0	135	1,3	13,72	H032	90L/90LA	4	4309
98,8	134	2,7	28,44	H052	80C/90S	2	7976
98,3	140	3,1	14,24	H052	90L/90LA	4	7954
97,3	143	2,7	9,56	H052	100L/100LA	6	7966
96,6	142	2,0	14,50	HA52	90L/90LA	4	4015
96,6	142	2,9	14,50	HA62	90L/90LA	4	5926
96,4	144	2,2	9,64	HA52	100L/100LA	6	4017
96,4	144	3,4	9,64	HA62	100L/100LA	6	5929
95,5	144	1,2	14,66	H032	90L/90LA	4	4339
94,6	140	1,1	29,70	H032	80C/90S	2	4396
94,0	141	1,6	29,89	HA52	80C/90S	2	4051
94,0	141	2,4	29,89	HA62	80C/90S	2	5980
92,3	144	1,5	30,45	H042	80C/90S	2	6146
91,7	151	1,0	10,14	H032	100L/100LA	6	4341
90,2	154	1,6	10,31	H042	100L/100LA	6	6118
89,2	149	2,5	31,52	H052	80C/90S	2	8000
87,7	157	1,6	15,96	H042	90L/90LA	4	6163
85,2	156	2,4	33,00	H052	80C/90S	2	8000
84,9	162	0,9	16,49	HA42	90L/90LA	4	3353
84,4	163	2,8	16,59	H052	90L/90LA	4	8000
83,5	165	1,2	16,77	H032	90L/90LA	4	4389
82,8	166	1,8	16,91	HA52	90L/90LA	4	4227
82,8	166	3,0	16,91	HA62	90L/90LA	4	6238
82,4	161	1,3	34,10	H042	80C/90S	2	6283
80,8	172	2,4	11,51	H052	100L/100LA	6	8000
79,7	174	1,7	11,67	HA52	100L/100LA	6	4280
79,7	174	2,7	11,67	HA62	100L/100LA	6	6317
79,6	175	3,9	11,69	H062	100L/100LA	6	12000
78,8	176	1,5	11,80	H042	100L/100LA	6	6270
77,8	177	2,6	18,00	H052	90L/90LA	4	8000
77,7	171	1,3	36,17	HA52	80C/90S	2	4317
77,7	171	2,1	36,17	HA62	80C/90S	2	6372
76,9	179	1,1	18,20	H032	90L/90LA	4	4410
76,0	175	3,4	36,99	H062	80C/90S	2	12000
74,4	178	1,2	37,76	H042	80C/90S	2	6400
73,7	187	1,3	19,00	H042	90L/90LA	4	6357
73,4	189	3,9	12,67	H062	100L/100LA	6	12000

1,50 kW

n ₂ [rpm]	M ₂ [Nm]	f _s	i	Gear reducer	Motor		Fr ₂ [N]
					Size	Pole	
72,1	184	2,0	38,98	H052	80C/90S	2	8000
70,4	195	1,0	19,90	H032	90L/90LA	4	4423
70,1	196	2,3	19,97	H052	90L/90LA	4	8000
69,7	190	3,3	40,33	H062	80C/90S	2	12000
68,5	203	1,3	13,57	H042	100L/100LA	6	6415
68,4	201	1,4	20,46	HA52	90L/90LA	4	4504
68,4	201	2,3	20,46	HA62	90L/90LA	4	6647
66,7	206	1,2	21,00	H042	90L/90LA	4	6459
65,3	213	2,1	14,24	H052	100L/100LA	6	8000
64,6	213	2,2	21,67	H052	90L/90LA	4	8000
64,1	217	1,4	14,50	HA52	100L/100LA	6	4602
64,1	217	2,0	14,50	HA62	100L/100LA	6	6792
63,1	220	3,3	14,75	H062	100L/100LA	6	12000
62,6	220	0,9	22,68	H032	90L	4	4425
62,5	212	1,0	44,95	HA52	80C/90S	2	4641
62,5	212	1,6	44,95	HA62	80C/90S	2	6850
61,9	214	1,7	45,36	H052	80C/90S	2	8000
61,0	218	2,9	46,06	H062	80C/90S	2	12000
60,5	227	1,1	23,15	H042	90L/90LA	4	6551
60,2	229	3,7	23,27	H062	90L/90LA	4	12000
58,3	238	1,1	15,96	H042	100L/100LA	6	6564
57,4	226	2,8	49,45	H063	90S	2	12000
57,2	232	1,6	49,13	H052	80C/90S	2	8000
57,1	243	3,5	16,29	H062	100L/100LA	6	12000
56,7	243	1,9	24,71	H052	90L/90LA	4	8000
56,5	235	1,2	49,78	HA62	80C/90S	2	7087
56,4	230	1,6	49,80	HA63	80C/90S	2	7088
56,0	248	1,9	16,59	H052	100L/100LA	6	8000
55,1	250	1,1	25,43	HA52	90L/90LA	4	4842
55,1	250	1,7	25,43	HA62	90L/90LA	4	7147
55,0	253	1,2	16,91	HA52	100L/100LA	6	4844
55,0	253	2,1	16,91	HA62	100L/100LA	6	7150
54,5	252	3,4	25,70	H062	90L/90LA	4	12000
53,8	256	1,0	26,04	H042	90L/90LA	4	6600
53,5	257	1,9	26,18	H052	90L/90LA	4	8000
52,6	264	3,3	17,67	H062	100L/100LA	6	12000
52,0	250	2,6	54,61	H063	90S	2	12000
51,7	269	1,8	18,00	H052	100L/100LA	6	8000
50,9	270	1,0	27,50	H042	90L/90LA	4	6600
50,1	265	1,4	56,11	H052	80C/90S	2	8000
49,2	279	1,8	28,44	H052	90L/90LA	4	8000
48,9	284	0,9	19,00	H042	100L/100LA	6	6600

5.1 H/HA GEARED MOTORS (50Hz)

1,50 kW

n ₂ [rpm]	M ₂ [Nm]	f _s	i	Gear reducer	Motor		Fr ₂ [N]
					Size	Pole	
47,8	272	1,4	58,81	H053	80C/90S	2	8000
47,7	288	2,8	29,33	H062	90L/90LA	4	12000
46,8	294	1,0	29,89	HA52	90L/90LA	4	5110
46,8	294	1,5	29,89	HA62	90L/90LA	4	7543
46,6	298	1,6	19,97	H052	100L/100LA	6	8000
46,6	279	1,3	60,25	HA63	80C/90S	2	7553
46,0	299	0,9	30,45	H042	90L/90LA	4	6600
45,9	303	2,9	20,28	H062	100L/100LA	6	12000
45,5	306	1,0	20,46	HA52	100L/100LA	6	5162
45,5	306	1,6	20,46	HA62	100L/100LA	6	7618
45,4	292	1,1	61,87	HA62	80C/90S	2	7620
44,4	310	1,6	31,52	H052	90L/90LA	4	8000
43,8	314	2,7	32,00	H062	90L/90LA	4	12000
42,9	324	1,5	21,67	H052	100L/100LA	6	8000
42,4	324	1,5	33,00	H052	90L/90LA	4	8000
41,8	311	2,0	68,00	H063	90S	2	12000
40,0	348	2,6	23,27	H062	100L/100LA	6	12000
38,7	355	0,8	36,17	HA52	90L/90LA	4	5445
38,7	355	1,3	36,17	HA62	90L/90LA	4	8000
38,6	336	1,1	72,75	H053	80C/90S	2	8000
37,8	363	2,2	36,99	H062	90L/90LA	4	12000
37,6	369	1,3	24,71	H052	100L/100LA	6	8000
37,5	346	1,0	74,88	HA63	80C/90S	2	8000
36,6	380	1,2	25,43	HA62	100L/100LA	6	8000
36,2	384	2,3	25,70	H062	100L/100LA	6	12000
35,9	383	1,3	38,98	H052	90L/90LA	4	8000
35,6	365	3,7	78,87	H083	80C/90S	2	18000
35,5	391	1,3	26,18	H052	100L/100LA	6	8000
34,7	396	2,1	40,33	H062	90L/90LA	4	12000
32,8	396	3,4	85,56	H083	80C/90S	2	18000
32,7	425	1,2	28,44	H052	100L/100LA	6	8000
32,7	397	1,6	85,82	H063	80C/90S	2	12000
32,7	420	3,8	42,75	H082	90L/90LA	4	18000
31,7	438	1,9	29,33	H062	100L/100LA	6	12000
31,1	442	1,0	44,95	HA62	90L/90LA	4	8000
30,9	446	1,1	45,36	H052	90L/90LA	4	8000
30,4	452	1,9	46,06	H062	90L/90LA	4	12000
29,9	465	3,6	31,15	H082	100L/100LA	6	18000
29,7	438	1,5	94,76	H063	80C/90S	2	12000
29,5	471	1,1	31,52	H052	100L/100LA	6	8000
29,1	478	1,9	32,00	H062	100L/100LA	6	12000
29,1	473	3,4	48,13	H082	90L/90LA	4	18000

1,50 kW

n ₂ [rpm]	M ₂ [Nm]	f _s	i	Gear reducer	Motor		Fr ₂ [N]
					Size	Pole	
28,6	454	3,0	98,09	H083	80C/90S	2	18000
28,5	483	1,0	49,13	H052	90L/90LA	4	8000
28,3	476	1,8	49,45	H063	90L/90LA	4	12000
28,1	479	1,0	49,80	HA63	90L/90LA	4	8000
27,1	513	3,3	34,38	H082	100L/100LA	6	18000
25,6	525	1,6	54,61	H063	90L/90LA	4	12000
25,3	543	0,9	56,11	H052	90L	4	8000
25,1	552	1,5	36,99	H062	100L/100LA	6	12000
24,9	522	2,6	112,78	H083	80C/90S	2	18000
24,8	544	2,9	56,53	H083	90L/90LA	4	18000
24,3	554	0,9	58,81	H053	90L	4	8000
24,0	578	2,9	38,70	H082	100L/100LA	6	18000
23,8	546	1,2	118,00	H063	80C/90S	2	12000
23,2	579	0,8	60,25	HA63	90L/90LA	4	8000
23,1	602	1,5	40,33	H062	100L/100LA	6	12000
22,6	575	2,3	124,44	H083	80C/90S	2	18000
21,8	638	2,6	42,75	H082	100L/100LA	6	18000
20,6	654	1,3	68,00	H063	90L/90LA	4	12000
20,2	688	1,3	46,06	H062	100L/100LA	6	12000
19,8	657	2,1	142,15	H083	80C/90S	2	18000
19,6	688	2,6	71,48	H083	90L/90LA	4	18000
19,3	719	2,3	48,13	H082	100L/100LA	6	18000
18,8	723	1,2	49,45	H063	100L/100LA	6	12000
18,2	716	1,9	154,76	H083	80C/90S	2	18000
17,8	759	2,4	78,87	H083	90L/90LA	4	18000
17,7	736	3,6	160,82	H103	90S	2	22000
17,3	751	1,8	162,35	H083	80C/90S	2	18000
17,0	799	1,1	54,61	H063	100L/100LA	6	12000
16,5	827	2,0	56,53	H083	100L/100LA	6	18000
16,4	823	2,2	85,56	H083	90L/90LA	4	18000
16,3	825	1,0	85,82	H063	90L/90LA	4	12000
15,7	828	1,6	179,13	H083	80C/90S	2	18000
15,7	828	3,2	181,07	H103	90S	2	22000
14,8	911	0,9	94,76	H063	90L/90LA	4	12000
14,6	889	3,0	194,21	H103	90S	2	22000
14,4	902	1,5	195,07	H083	80C/90S	2	18000
14,3	943	1,9	98,09	H083	90L/90LA	4	18000
13,8	984	0,9	68,00	H063	100L	6	12000
13,3	1019	3,6	69,69	H103	100L/100LA	6	22000
13,2	986	2,7	215,45	H103	90S	2	22000
13,0	1045	1,8	71,48	H083	100L/100LA	6	18000
12,6	1030	1,3	222,78	H083	80C/90S	2	18000

1,50 kW

n ₂ [rpm]	M ₂ [Nm]	f _s	i	Gear reducer	Motor		Fr ₂ [N]
					Size	Pole	
12,4	1085	1,7	112,78	H083	90L/90LA	4	18000
11,8	1153	1,6	78,87	H083	100L/100LA	6	18000
11,7	1167	3,1	79,82	H103	100L/100LA	6	22000
11,7	1110	2,4	242,59	H103	90S	2	22000
11,3	1197	1,5	124,44	H083	90L/90LA	4	18000
11,1	1231	3,0	84,16	H103	100L/100LA	6	22000
10,9	1251	1,5	85,56	H083	100L/100LA	6	18000
10,3	1316	4,0	89,97	H123	100LA	6	30000
10,0	1365	2,7	93,36	H103	100L/100LA	6	22000
9,8	1367	1,3	142,15	H083	90L/90LA	4	18000
9,8	1379	2,5	143,42	H103	90L/90LA	4	22000
9,5	1434	1,3	98,09	H083	100L/100LA	6	18000
9,3	1463	2,5	100,07	H103	100L/100LA	6	22000
9,3	1467	3,6	100,29	H123	100L/100LA	6	30000
9,0	1489	1,2	154,76	H083	90L/90LA	4	18000
8,7	1547	2,3	160,82	H103	90L/90LA	4	22000
8,6	1561	1,2	162,35	H083	90L/90LA	4	18000
8,6	1584	3,3	108,34	H123	100L/100LA	6	30000
8,2	1649	1,1	112,78	H083	100L/100LA	6	18000
7,8	1723	1,0	179,13	H083	90L/90LA	4	18000
7,8	1735	3,0	118,62	H123	100L/100LA	6	30000
7,7	1767	2,1	120,84	H103	100L/100LA	6	22000
7,7	1742	2,0	181,07	H103	90L/90LA	4	22000
7,5	1820	1,0	124,44	H083	100L/100LA	6	18000
7,3	1874	2,8	128,18	H123	100L/100LA	6	30000
7,2	1876	1,0	195,07	H083	90L/90LA	4	18000
7,2	1868	1,9	194,21	H103	90L/90LA	4	22000
6,9	1960	1,9	134,06	H103	100L/100LA	6	22000
6,5	2079	0,9	142,15	H083	100L/100LA	6	18000
6,5	2097	1,8	143,42	H103	100L/100LA	6	22000
6,5	2072	1,7	215,45	H103	90L/90LA	4	22000
6,4	2117	2,5	144,79	H123	100L/100LA	6	30000
6,0	2270	2,3	155,22	H123	100L/100LA	6	30000
5,8	2352	1,6	160,82	H103	100L/100LA	6	22000
5,8	2333	1,5	242,59	H103	90L/90LA	4	22000
5,4	2527	2,1	172,80	H123	100L/100LA	6	30000
5,1	2648	1,4	181,07	H103	100L/100LA	6	22000
4,9	2767	1,9	189,19	H123	100L/100LA	6	30000
4,8	2840	1,3	194,21	H103	100L/100LA	6	22000
4,5	3033	1,7	207,43	H123	100L/100LA	6	30000
4,3	3151	1,2	215,45	H103	100L/100LA	6	22000
4,0	3377	1,6	230,92	H123	100L/100LA	6	30000

1,50 kW

n2 [rpm]	M2 [Nm]	fs	i	Gear reducer	Motor Size	Pole	Fr2 [N]
3,8	3548	1,1	242,59	H103	100L/100LA	6	22000
3,6	3797	1,4	259,64	H123	100L/100LA	6	30000

1,85 kW

n2 [rpm]	M2 [Nm]	fs	i	Gear reducer	Motor Size	Pole	Fr2 [N]
1100,0	16	2,9	1,27	HR051	90LB ⁽¹⁾	4	1757
986,4	17	3,7	1,42	HR051	90LB ⁽¹⁾	4	1814
973,9	18	1,6	1,44	HR041	90LB ⁽¹⁾	4	676
966,7	18	2,3	1,45	HA51	90LB ⁽¹⁾	4	1410
730,7	24	2,0	1,27	HR051	100LB	6	1976
700,0	24	1,1	2,00	HR041	90LB ⁽¹⁾	4	731
697,5	25	3,8	1,33	HA61	100LB	6	2353
658,8	26	2,5	2,13	HR051	90LB ⁽¹⁾	4	2036
655,2	26	2,6	1,42	HR051	100LB	6	2037
560,0	31	2,9	2,50	HA61	90LB ⁽¹⁾	4	2531
550,0	31	1,1	2,55	HR041	90LB ⁽¹⁾	4	770
544,4	31	2,4	2,57	HR051	90LB ⁽¹⁾	4	2145
515,8	33	1,0	2,71	HR041	90LB ⁽¹⁾	4	780
475,5	36	1,1	2,94	HA51	90LB ⁽¹⁾	4	1786
450,8	38	1,2	3,11	HR041	90LB ⁽¹⁾	4	800
442,1	39	2,2	3,17	HR051	90LB ⁽¹⁾	4	2267
442,1	39	3,6	3,17	HR061	90LB ⁽¹⁾	4	3414
437,6	40	1,7	2,13	HR051	100LB	6	2271
437,6	40	3,5	2,13	HR061	100LB	6	3423
390,2	44	1,0	3,59	HR041	90LB ⁽¹⁾	4	820
379,7	45	2,0	3,69	HR051	90LB ⁽¹⁾	4	2358
379,7	45	3,3	3,69	HR061	90LB ⁽¹⁾	4	3573
372,0	47	2,0	2,50	HA61	100LB	6	2901
361,7	48	1,6	2,57	HR051	100LB	6	2384
361,7	48	3,1	2,57	HR061	100LB	6	3622
350,0	49	1,8	4,00	HR051	90LB ⁽¹⁾	4	2406
350,0	49	3,1	4,00	HR061	90LB ⁽¹⁾	4	3659
319,3	54	2,0	4,38	HA61	90LB ⁽¹⁾	4	3053
298,1	57	1,7	4,70	H032	90LB ⁽¹⁾	4	3417
294,7	58	0,9	4,75	HA51	90LB ⁽¹⁾	4	2095
293,7	59	1,5	3,17	HR051	100LB	6	2500
293,7	59	2,5	3,17	HR061	100LB	6	3700
293,5	58	1,6	4,77	HR051	90LB ⁽¹⁾	4	2500
293,5	58	2,7	4,77	HR061	90LB ⁽¹⁾	4	3700
272,2	62	3,9	5,14	HA52	90LB ⁽¹⁾	4	2842
266,7	64	1,6	5,25	HR051	90LB ⁽¹⁾	4	2500

⁽¹⁾ Available only with brake motor (TBS)

1,85 kW

n2 [rpm]	M2 [Nm]	fs	i	Gear reducer	Motor Size	Pole	Fr2 [N]
266,7	64	2,6	5,25	HR061	90LB ⁽¹⁾	4	3700
260,3	65	2,1	5,38	HA42	90LB ⁽¹⁾	4	2308
256,3	66	2,4	5,46	H042	90LB ⁽¹⁾	4	4690
252,2	69	1,4	3,69	HR051	100LB	6	2500
252,2	69	2,3	3,69	HR061	100LB	6	3700
244,4	69	3,7	5,73	H052	90LB ⁽¹⁾	4	6117
240,6	71	1,4	5,82	HR051	90LB ⁽¹⁾	4	2500
240,6	71	2,4	5,82	HR061	90LB ⁽¹⁾	4	3700
232,5	74	1,3	4,00	HR051	100LB	6	2500
232,5	74	2,1	4,00	HR061	100LB	6	3700
225,0	75	3,2	6,22	HA52	90LB ⁽¹⁾	4	3029
224,7	75	1,4	6,23	H032	90LB ⁽¹⁾	4	3616
214,8	79	1,8	6,52	HA42	90LB ⁽¹⁾	4	2461
212,1	82	1,4	4,38	HA61	100LB	6	3499
203,1	84	3,5	6,89	H052	90LB ⁽¹⁾	4	6438
199,3	87	3,9	4,67	HR081	100LB	6	4000
198,0	86	1,2	4,70	H032	100LB	6	3689
195,0	89	1,1	4,77	HR051	100LB	6	2500
195,0	89	1,9	4,77	HR061	100LB	6	3700
194,8	87	1,8	7,19	H042	90LB ⁽¹⁾	4	5013
190,9	90	1,1	7,33	HR051	90LB ⁽¹⁾	4	2500
190,9	90	1,9	7,33	HR061	90LB ⁽¹⁾	4	3700
186,7	92	3,8	7,50	HR081	90LB ⁽¹⁾	4	4000
181,0	94	2,6	7,73	HA52	90LB ⁽¹⁾	4	3256
180,8	95	2,7	5,14	HA52	100LB	6	3257
180,6	95	0,9	7,75	HA61	90LB ⁽¹⁾	4	3691
180,4	94	1,3	7,76	H032	90LB ⁽¹⁾	4	3754
177,1	98	1,1	5,25	HR051	100LB	6	2500
177,1	98	1,8	5,25	HR061	100LB	6	3700
172,6	98	1,3	8,11	HA42	90LB ⁽¹⁾	4	2647
170,3	101	1,7	5,46	H042	100LB	6	5162
167,9	103	3,4	5,54	HR081	100LB	6	4000
167,2	103	1,0	8,38	HR051	90LB ⁽¹⁾	4	2500
167,2	103	1,7	8,38	HR061	90LB ⁽¹⁾	4	3700
165,8	103	3,4	8,44	HR081	90LB ⁽¹⁾	4	4000
164,2	103	3,3	8,53	H052	90LB ⁽¹⁾	4	6815
162,4	105	2,6	5,73	H052	100LB	6	6827
159,8	108	1,0	5,82	HR051	100LB	6	2500
159,8	108	1,6	5,82	HR061	100LB	6	3700
157,9	107	1,2	8,87	H032	90LB ⁽¹⁾	4	3827
157,1	108	1,9	8,91	H042	90LB ⁽¹⁾	4	5262
152,9	113	3,2	6,08	HR081	100LB	6	4000

⁽¹⁾ Available only with brake motor (TBS)

1,85 kW

n2 [rpm]	M2 [Nm]	fs	i	Gear reducer	Motor Size	Pole	Fr2 [N]
149,5	115	2,2	6,22	HA52	100LB	6	3471
149,5	115	3,5	6,22	HA62	100LB	6	5123
149,3	115	1,0	6,23	H032	100LB	6	3843
146,4	116	3,2	9,56	H052	90LB ⁽¹⁾	4	7020
145,2	117	2,6	9,64	HA52	90LB ⁽¹⁾	4	3505
145,2	117	3,9	9,64	HA62	90LB ⁽¹⁾	4	5173
138,0	123	1,1	10,14	H032	90LB ⁽¹⁾	4	3891
135,7	125	1,9	10,31	H042	90LB ⁽¹⁾	4	5425
134,9	127	2,4	6,89	H052	100LB	6	7159
129,4	132	1,3	7,19	H042	100LB	6	5466
128,0	132	1,1	10,94	HA42	90LB ⁽¹⁾	4	2924
126,8	136	1,3	7,33	HR061	100LB	6	3700
124,0	140	2,6	7,50	HR081	100LB	6	4000
121,6	139	2,8	11,51	H052	90LB ⁽¹⁾	4	7354
120,3	142	1,8	7,73	HA52	100LB	6	3732
120,3	142	2,8	7,73	HA62	100LB	6	5508
120,0	141	2,0	11,67	HA52	90LB ⁽¹⁾	4	3735
120,0	141	3,1	11,67	HA62	90LB ⁽¹⁾	4	5512
119,8	143	0,9	7,76	H032	100LB	6	3929
119,0	142	1,0	11,76	H032	90LB ⁽¹⁾	4	3946
118,6	143	1,7	11,80	H042	90LB ⁽¹⁾	4	5569
111,0	156	1,1	8,38	HR061	100LB	6	3700
110,1	157	2,3	8,44	HR081	100LB	6	4000
109,1	157	2,3	8,53	H052	100LB	6	7540
105,7	161	0,9	13,25	HA42	90LB ⁽¹⁾	4	3117
104,3	164	1,3	8,91	H042	100LB	6	5686
103,2	164	1,5	13,57	H042	90LB ⁽¹⁾	4	5710
102,0	166	1,0	13,72	H032	90LB ⁽¹⁾	4	3982
99,1	173	3,6	9,39	H062	100LB	6	12000
98,3	172	2,5	14,24	H052	90LB ⁽¹⁾	4	7736
97,3	176	2,2	9,56	H052	100LB	6	7744
96,6	176	1,6	14,50	HA52	90LB ⁽¹⁾	4	4015
96,6	176	2,4	14,50	HA62	90LB ⁽¹⁾	4	5926
96,4	178	1,8	9,64	HA52	100LB	6	4017
96,4	178	2,7	9,64	HA62	100LB	6	5929
95,5	178	1,0	14,66	H032	90LB ⁽¹⁾	4	3990
94,9	179	3,9	14,75	H062	90LB ⁽¹⁾	4	12000
90,2	190	1,3	10,31	H042	100LB	6	5820
87,7	193	1,3	15,96	H042	90LB ⁽¹⁾	4	5859
84,4	201	2,2	16,59	H052	90LB ⁽¹⁾	4	8000
83,5	203	0,9	16,77	H032	90LB ⁽¹⁾	4	3989
82,8	205	1,5	16,91	HA52	90LB ⁽¹⁾	4	4227

⁽¹⁾ Available only with brake motor (TBS)

1,85 kW

n ₂ [rpm]	M ₂ [Nm]	f _s	i	Gear reducer	Motor		Fr ₂ [N]
					Size	Pole	
82,8	205	2,4	16,91	HA62	90LB ⁽¹⁾	4	6238
80,8	212	1,9	11,51	H052	100LB	6	8000
79,7	215	1,4	11,67	HA52	100LB	6	4280
79,7	215	2,1	11,67	HA62	100LB	6	6317
79,6	215	3,2	11,69	H062	100LB	6	12000
79,2	214	3,9	17,67	H062	90LB ⁽¹⁾	4	12000
78,8	217	1,2	11,80	H042	100LB	6	5928
77,8	218	2,1	18,00	H052	90LB ⁽¹⁾	4	8000
76,9	220	0,9	18,20	H032	90LB ⁽¹⁾	4	3976
73,7	230	1,1	19,00	H042	90LB ⁽¹⁾	4	5996
73,4	233	3,2	12,67	H062	100LB	6	12000
70,1	242	1,9	19,97	H052	90LB ⁽¹⁾	4	8000
69,0	246	3,5	20,28	H062	90LB ⁽¹⁾	4	12000
68,5	250	1,1	13,57	H042	100LB	6	6023
68,4	248	1,2	20,46	HA52	90LB ⁽¹⁾	4	4504
68,4	248	1,9	20,46	HA62	90LB ⁽¹⁾	4	6647
66,7	254	1,0	21,00	H042	90LB ⁽¹⁾	4	6060
65,3	262	1,7	14,24	H052	100LB	6	8000
64,6	262	1,8	21,67	H052	90LB ⁽¹⁾	4	8000
64,1	267	1,1	14,50	HA52	100LB	6	4602
64,1	267	1,7	14,50	HA62	100LB	6	6792
63,1	272	2,7	14,75	H062	100LB	6	12000
60,5	280	0,9	23,15	H042	90LB ⁽¹⁾	4	6111
60,2	282	3,0	23,27	H062	90LB ⁽¹⁾	4	12000
57,1	300	2,8	16,29	H062	100LB	6	12000
56,7	299	1,6	24,71	H052	90LB ⁽¹⁾	4	8000
56,0	306	1,5	16,59	H052	100LB	6	8000
55,1	308	0,9	25,43	HA52	90LB ⁽¹⁾	4	4842
55,1	308	1,4	25,43	HA62	90LB ⁽¹⁾	4	7147
55,0	312	1,0	16,91	HA52	100LB	6	4844
55,0	312	1,7	16,91	HA62	100LB	6	7150
54,5	311	2,7	25,70	H062	90LB ⁽¹⁾	4	12000
53,5	317	1,5	26,18	H052	90LB ⁽¹⁾	4	8000
52,6	325	2,7	17,67	H062	100LB	6	12000
51,7	332	1,5	18,00	H052	100LB	6	8000
49,2	345	1,4	28,44	H052	90LB ⁽¹⁾	4	8000
47,7	355	2,3	29,33	H062	90LB ⁽¹⁾	4	12000
46,8	362	0,8	29,89	HA52	90LB ⁽¹⁾	4	5110
46,8	362	1,2	29,89	HA62	90LB ⁽¹⁾	4	7543
46,6	368	1,3	19,97	H052	100LB	6	8000
45,9	374	2,4	20,28	H062	100LB	6	12000
45,5	377	0,8	20,46	HA52	100LB	6	5162

⁽¹⁾ Available only with brake motor (TBS)

1,85 kW

n2 [rpm]	M2 [Nm]	fs	i	Gear reducer	Motor		Fr2 [N]
					Size	Pole	
45,5	377	1,3	20,46	HA62	100LB	6	7618
44,4	382	1,3	31,52	H052	90LB ⁽¹⁾	4	8000
43,8	388	2,2	32,00	H062	90LB ⁽¹⁾	4	12000
42,9	399	1,2	21,67	H052	100LB	6	8000
42,4	400	1,2	33,00	H052	90LB ⁽¹⁾	4	8000
40,7	416	3,8	34,38	H082	90LB ⁽¹⁾	4	18000
40,0	429	2,1	23,27	H062	100LB	6	12000
38,7	438	1,1	36,17	HA62	90LB ⁽¹⁾	4	8000
37,8	448	1,8	36,99	H062	90LB ⁽¹⁾	4	12000
37,6	455	1,1	24,71	H052	100LB	6	8000
36,6	468	1,0	25,43	HA62	100LB	6	8000
36,2	473	1,9	25,70	H062	100LB	6	12000
36,2	469	3,4	38,70	H082	90LB ⁽¹⁾	4	18000
35,9	472	1,0	38,98	H052	90LB ⁽¹⁾	4	8000
35,5	482	1,1	26,18	H052	100LB	6	8000
35,0	490	3,4	26,60	H082	100LB	6	18000
34,7	489	1,7	40,33	H062	90LB ⁽¹⁾	4	12000
33,4	514	3,3	27,88	H082	100LB	6	18000
32,7	524	1,0	28,44	H052	100LB	6	8000
32,7	518	3,1	42,75	H082	90LB ⁽¹⁾	4	18000
31,7	540	1,6	29,33	H062	100LB	6	12000
31,1	545	0,8	44,95	HA62	90LB ⁽¹⁾	4	8000
30,4	558	1,5	46,06	H062	90LB ⁽¹⁾	4	12000
29,9	574	2,9	31,15	H082	100LB	6	18000
29,1	589	1,5	32,00	H062	100LB	6	12000
29,1	583	2,7	48,13	H082	90LB ⁽¹⁾	4	18000
28,3	587	1,4	49,45	H063	90LB ⁽¹⁾	4	12000
28,1	591	0,8	49,80	HA63	90LB ⁽¹⁾	4	8000
27,1	633	2,7	34,38	H082	100LB	6	18000
25,6	648	1,3	54,61	H063	90LB ⁽¹⁾	4	12000
25,1	681	1,2	36,99	H062	100LB	6	12000
24,8	671	2,4	56,53	H083	90LB ⁽¹⁾	4	18000
24,0	713	2,4	38,70	H082	100LB	6	18000
23,1	743	1,2	40,33	H062	100LB	6	12000
21,8	787	2,1	42,75	H082	100LB	6	18000
20,6	807	1,1	68,00	H063	90LB ⁽¹⁾	4	12000
20,2	848	1,1	46,06	H062	100LB	6	12000
19,6	848	2,1	71,48	H083	90LB ⁽¹⁾	4	18000
19,3	887	1,9	48,13	H082	100LB	6	18000
18,8	892	1,0	49,45	H063	100LB	6	12000
18,1	949	3,7	51,52	H102	100LB	6	22000
17,8	936	1,9	78,87	H083	90LB ⁽¹⁾	4	18000

⁽¹⁾ Available only with brake motor (TBS)

1,85 kW

n2 [rpm]	M2 [Nm]	fs	i	Gear reducer	Motor Size	Pole	Fr2 [N]
17,0	985	0,9	54,61	H063	100LB	6	12000
16,5	1019	1,6	56,53	H083	100LB	6	18000
16,4	1015	1,8	85,56	H083	90LB ⁽¹⁾	4	18000
14,3	1164	1,5	98,09	H083	90LB ⁽¹⁾	4	18000
13,3	1257	2,9	69,69	H103	100LB	6	22000
13,0	1289	1,5	71,48	H083	100LB	6	18000
12,6	1329	3,9	73,71	H123	100LB	6	30000
12,4	1338	1,3	112,78	H083	90LB ⁽¹⁾	4	18000
11,8	1423	1,3	78,87	H083	100LB	6	18000
11,7	1440	2,6	79,82	H103	100LB	6	22000
11,3	1476	1,2	124,44	H083	90LB ⁽¹⁾	4	18000
11,2	1503	3,5	83,34	H123	100LB	6	30000
11,1	1518	2,4	84,16	H103	100LB	6	22000
10,9	1543	1,2	85,56	H083	100LB	6	18000
10,3	1623	3,2	89,97	H123	100LB	6	30000
10,0	1684	2,2	93,36	H103	100LB	6	22000
9,8	1686	1,1	142,15	H083	90LB ⁽¹⁾	4	18000
9,8	1701	2,1	143,42	H103	90LB ⁽¹⁾	4	22000
9,5	1769	1,1	98,09	H083	100LB	6	18000
9,3	1805	2,0	100,07	H103	100LB	6	22000
9,3	1809	2,9	100,29	H123	100LB	6	30000
9,0	1836	1,0	154,76	H083	90LB ⁽¹⁾	4	18000
8,7	1908	1,8	160,82	H103	90LB ⁽¹⁾	4	22000
8,6	1926	0,9	162,35	H083	90LB ⁽¹⁾	4	18000
8,6	1954	2,7	108,34	H123	100LB	6	30000
8,2	2034	0,9	112,78	H083	100LB	6	18000
7,8	2139	2,5	118,62	H123	100LB	6	30000
7,7	2179	1,7	120,84	H103	100LB	6	22000
7,7	2148	1,6	181,07	H103	90LB ⁽¹⁾	4	22000
7,3	2312	2,3	128,18	H123	100LB	6	30000
7,2	2304	1,5	194,21	H103	90LB ⁽¹⁾	4	22000
6,9	2418	1,5	134,06	H103	100LB	6	22000
6,5	2587	1,4	143,42	H103	100LB	6	22000
6,5	2556	1,4	215,45	H103	90LB ⁽¹⁾	4	22000
6,4	2611	2,0	144,79	H123	100LB	6	30000
6,0	2800	1,9	155,22	H123	100LB	6	30000
5,8	2901	1,3	160,82	H103	100LB	6	22000
5,8	2878	1,3	242,59	H103	90LB ⁽¹⁾	4	22000
5,4	3117	1,7	172,80	H123	100LB	6	30000
5,1	3266	1,1	181,07	H103	100LB	6	22000
4,9	3412	1,5	189,19	H123	100LB	6	30000
4,8	3503	1,0	194,21	H103	100LB	6	22000

⁽¹⁾ Available only with brake motor (TBS)

1,85 kW

n2 [rpm]	M2 [Nm]	fs	i	Gear reducer	Motor Size	Pole	Fr2 [N]
4,5	3741	1,4	207,43	H123	100LB	6	30000
4,3	3886	0,9	215,45	H103	100LB	6	22000
4,0	4165	1,3	230,92	H123	100LB	6	30000
3,6	4683	1,1	259,64	H123	100LB	6	30000

2,20 kW

n2 [rpm]	M2 [Nm]	fs	i	Gear reducer	Motor Size	Pole	Fr2 [N]
2262,9	9	3,9	1,27	HR051	90L	2	1407
2003,5	10	2,1	1,44	HR041	90L	2	552
1988,6	10	3,0	1,45	HA51	90L	2	1109
1440,0	14	1,5	2,00	HR041	90L	2	602
1355,3	15	3,4	2,13	HR051	90L	2	1641
1152,0	17	4,0	2,50	HA61	90L	2	1990
1123,6	18	1,5	2,55	HR041	90L	2	641
1123,6	18	2,5	1,27	HR051	100LA/112MR	4	1729
1120,0	18	3,2	2,57	HR051	90L	2	1735
1061,1	19	1,4	2,71	HR041	90L	2	650
1007,5	20	3,2	1,42	HR051	100LA/112MR	4	1784
978,1	20	1,5	2,94	HA51	90L	2	1404
927,5	21	1,6	3,11	HR041	90L	2	671
909,5	22	2,9	3,17	HR051	90L	2	1841
802,6	25	1,4	3,59	HR041	90L	2	694
781,0	25	2,7	3,69	HR051	90L	2	1921
730,7	28	1,7	1,27	HR051	112M/112MA	6	1949
715,0	28	2,5	4,00	HR051	90L	2	1968
697,5	30	3,2	1,33	HA61	112M/112MA	6	2353
692,1	30	3,5	1,34	HR061	112M/112MA	6	2960
685,7	29	1,2	4,20	HR041	90L	2	717
672,9	30	2,1	2,13	HR051	100LA/112MR	4	1995
656,8	30	2,8	4,38	HA61	90L	2	2400
655,2	31	2,2	1,42	HR051	112M/112MA	6	2007
613,3	32	2,2	4,70	H032	90L	2	2830
603,9	33	2,2	4,77	HR051	90L	2	2060
603,9	33	3,7	4,77	HR061	90L	2	3090
602,1	33	1,1	4,75	HA51	90L	2	1651
572,0	36	2,5	2,50	HA61	100LA/112MR	4	2514
556,1	37	2,0	2,57	HR051	100LA/112MR	4	2098
556,1	37	3,8	2,57	HR061	100LA/112MR	4	3162
548,6	36	2,1	5,25	HR051	90L	2	2113
548,6	36	3,6	5,25	HR061	90L	2	3181
531,7	37	2,9	5,38	HA42	90L	2	1819

2,20 kW

n2 [rpm]	M2 [Nm]	fs	i	Gear reducer	Motor Size	Pole	Fr2 [N]
528,0	37	1,0	5,45	HA51	90L	2	1725
527,2	37	3,3	5,46	H042	90L	2	3823
495,0	40	1,9	5,82	HR051	90L	2	2170
495,0	40	3,2	5,82	HR061	90L	2	3280
462,3	42	1,9	6,23	H032	90L	2	3031
451,6	45	1,9	3,17	HR051	100LA/112MR	4	2212
451,6	45	3,1	3,17	HR061	100LA/112MR	4	3364
441,9	44	2,4	6,52	HA42	90L	2	1935
437,6	47	1,5	2,13	HR051	112M/112MA	6	2226
437,6	47	2,9	2,13	HR061	112M/112MA	6	3393
400,7	49	2,5	7,19	H042	90L	2	4118
392,7	50	1,5	7,33	HR051	90L	2	2299
392,7	50	2,5	7,33	HR061	90L	2	3511
387,8	53	1,7	3,69	HR051	100LA/112MR	4	2295
387,8	53	2,9	3,69	HR061	100LA/112MR	4	3517
372,0	55	1,7	2,50	HA61	112M/112MA	6	2901
371,6	53	1,3	7,75	HA61	90L	2	2902
369,8	53	3,4	7,73	HA52	90L	2	2566
368,4	53	1,8	7,76	H032	90L	2	3189
361,7	57	1,4	2,57	HR051	112M/112MA	6	2329
361,7	57	2,6	2,57	HR061	112M/112MA	6	3586
357,5	57	1,6	4,00	HR051	100LA/112MR	4	2339
357,5	57	2,6	4,00	HR061	100LA/112MR	4	3601
355,1	55	1,8	8,11	HA42	90L	2	2081
341,5	58	1,3	8,38	HR051	90L	2	2376
341,5	58	2,2	8,38	HR061	90L	2	3657
324,8	60	1,6	8,87	H032	90L	2	3274
323,9	63	1,7	4,38	HA61	100LA/112MR	4	3038
320,9	61	2,6	8,91	H042	90L	2	4361
302,4	67	1,4	4,70	H032	100LA/112MR	4	3297
299,8	68	1,4	4,77	HR051	100LA/112MR	4	2433
299,8	68	2,4	4,77	HR061	100LA/112MR	4	3700
296,6	66	3,4	9,64	HA52	90L	2	2762
293,7	70	1,3	3,17	HR051	112M/112MA	6	2440
293,7	70	2,1	3,17	HR061	112M/112MA	6	3700
283,9	69	1,5	10,14	H032	90L	2	3361
279,2	70	2,6	10,31	H042	90L	2	4515
278,1	73	3,3	5,14	HA52	100LA/112MR	4	2822
272,4	75	1,3	5,25	HR051	100LA/112MR	4	2483
272,4	75	2,3	5,25	HR061	100LA/112MR	4	3700
263,3	74	1,5	10,94	HA42	90L	2	2299
260,0	78	2,1	5,46	H042	100LA/112MR	4	4571

2,20 kW

n ₂ [rpm]	M ₂ [Nm]	f _s	i	Gear reducer	Motor		Fr ₂ [N]
					Size	Pole	
252,2	82	1,2	3,69	HR051	112M/112MA	6	2500
252,2	82	1,9	3,69	HR061	112M/112MA	6	3700
250,2	78	3,8	11,51	H052	90L	2	6011
249,7	81	3,2	5,73	H052	100LA/112MR	4	5995
246,9	79	2,7	11,67	HA52	90L	2	2936
244,1	80	2,4	11,80	H042	90L	2	4663
244,1	84	1,2	5,82	HR051	100LA/112MR	4	2500
244,1	84	2,0	5,82	HR061	100LA/112MR	4	3700
243,2	80	1,4	11,76	H032	90L	2	3455
235,1	87	3,9	6,08	HR081	100LA	4	4000
232,5	89	1,1	4,00	HR051	112M/112MA	6	2500
232,5	89	1,8	4,00	HR061	112M/112MA	6	3700
232,5	89	3,8	4,00	HR081	112M/112MA	6	4000
229,8	88	2,7	6,22	HA52	100LA/112MR	4	3007
229,6	88	1,2	6,23	H032	100LA/112MR	4	3456
217,4	90	1,2	13,25	HA42	90L	2	2451
212,2	92	2,0	13,57	H042	90L	2	4815
212,1	97	1,2	4,38	HA61	112M/112MA	6	3499
209,9	93	1,4	13,72	H032	90L	2	3537
206,0	98	3,0	6,89	H052	100LA/112MR	4	6309
200,9	97	3,3	14,24	H052	90L	2	6374
199,3	103	3,3	4,67	HR081	112M/112MA	6	4000
197,6	102	1,6	7,19	H042	100LA/112MR	4	4862
197,2	99	2,1	14,50	HA52	90L	2	3164
197,2	99	3,2	14,50	HA62	90L	2	4671
195,1	100	1,3	14,66	H032	90L	2	3574
195,0	106	0,9	4,77	HR051	112M/112MA	6	2500
195,0	106	1,6	4,77	HR061	112M/112MA	6	3700
195,0	105	1,6	7,33	HR061	100LA/112MR	4	3700
189,3	108	3,3	7,50	HR081	100LA/112MR	4	4000
183,6	110	2,2	7,73	HA52	100LA/112MR	4	3241
183,6	110	3,5	7,73	HA62	100LA/112MR	4	4783
182,9	110	1,1	7,76	H032	100LA/112MR	4	3563
180,8	113	2,2	5,14	HA52	112M/112MA	6	3257
180,8	113	3,5	5,14	HA62	112M/112MA	6	4808
179,2	109	1,7	15,96	H042	90L	2	4995
177,1	116	0,9	5,25	HR051	112M/112MA	6	2500
177,1	116	1,5	5,25	HR061	112M/112MA	6	3700
172,4	113	3,0	16,59	H052	90L	2	6631
170,6	114	1,2	16,77	H032	90L	2	3633
170,3	120	1,4	5,46	H042	112M/112MA	6	5004
169,6	120	1,4	8,38	HR061	100LA/112MR	4	3700

2,20 kW

n2 [rpm]	M2 [Nm]	fs	i	Gear reducer	Motor Size	Pole	Fr2 [N]
169,1	115	2,0	16,91	HA52	90L	2	3331
169,1	115	3,3	16,91	HA62	90L	2	4917
168,2	121	2,9	8,44	HR081	100LA/112MR	4	4000
167,9	123	2,8	5,54	HR081	112M/112MA	6	4000
166,5	121	2,8	8,53	H052	100LA/112MR	4	6660
162,4	125	2,2	5,73	H052	112M/112MA	6	6694
160,2	126	1,0	8,87	H032	100LA/112MR	4	3612
160,0	122	2,8	18,00	H052	90L	2	6756
159,8	129	1,4	5,82	HR061	112M/112MA	6	3700
159,3	127	1,7	8,91	H042	100LA/112MR	4	5079
157,1	124	1,2	18,20	H032	90L	2	3664
152,9	135	2,7	6,08	HR081	112M/112MA	6	4000
150,5	129	1,5	19,00	H042	90L	2	5172
149,5	136	1,8	6,22	HA52	112M/112MA	6	3471
149,5	136	2,9	6,22	HA62	112M/112MA	6	5123
148,5	136	2,7	9,56	H052	100LA/112MR	4	6850
147,3	137	2,2	9,64	HA52	100LA/112MR	4	3488
147,3	137	3,4	9,64	HA62	100LA/112MR	4	5149
143,7	135	1,1	19,90	H032	90L	2	3692
143,2	136	2,5	19,97	H052	90L	2	6943
140,0	144	1,0	10,14	H032	100LA/112MR	4	3647
139,8	139	1,6	20,46	HA52	90L	2	3549
139,8	139	2,5	20,46	HA62	90L	2	5239
137,7	147	1,6	10,31	H042	100LA/112MR	4	5216
136,2	143	1,3	21,00	H042	90L	2	5269
134,9	151	2,0	6,89	H052	112M/112MA	6	6998
132,0	147	2,4	21,67	H052	90L	2	7080
126,8	162	1,1	7,33	HR061	112M/112MA	6	3700
125,8	162	3,6	7,39	H062	112M/112MA	6	12000
124,0	166	2,2	7,50	HR081	112M/112MA	6	4000
123,6	158	1,2	23,15	H042	90L	2	5359
123,4	163	2,4	11,51	H052	100LA/112MR	4	7155
121,7	166	1,7	11,67	HA52	100LA/112MR	4	3717
121,7	166	2,7	11,67	HA62	100LA/112MR	4	5486
121,5	166	3,9	11,69	H062	100LA	4	12000
120,3	168	1,5	11,80	H042	100LA/112MR	4	5333
120,3	169	1,5	7,73	HA52	112M/112MA	6	3732
120,3	169	2,4	7,73	HA62	112M/112MA	6	5508
115,8	168	2,1	24,71	H052	90L	2	7299
112,5	173	1,2	25,43	HA52	90L	2	3816
112,5	173	1,9	25,43	HA62	90L	2	5633
112,1	180	3,9	12,67	H062	100LA	4	12000

2,20 kW

n ₂ [rpm]	M ₂ [Nm]	f _s	i	Gear reducer	Motor Size	Pole	Fr ₂ [N]
111,3	175	3,6	25,70	H062	90L	2	12000
111,0	185	1,0	8,38	HR061	112M/112MA	6	3700
110,7	186	3,7	8,40	HR101	112M/112MA	6	5000
110,1	187	2,0	8,44	HR081	112M/112MA	6	4000
109,8	177	1,1	26,04	H042	90L	2	5459
109,4	186	3,4	8,50	H062	112M/112MA	6	12000
109,2	178	2,1	26,18	H052	90L	2	7394
109,1	187	1,9	8,53	H052	112M/112MA	6	7341
104,6	193	1,3	13,57	H042	100LA/112MR	4	5442
104,0	187	1,1	27,50	H042	90L	2	5503
100,6	194	1,9	28,44	H052	90L	2	7529
99,7	202	2,1	14,24	H052	100LA/112MR	4	7495
99,1	206	3,1	9,39	H062	112M/112MA	6	12000
97,9	206	1,4	14,50	HA52	100LA/112MR	4	3996
97,9	206	2,0	14,50	HA62	100LA/112MR	4	5898
97,5	200	3,0	29,33	H062	90L	2	12000
97,3	209	1,9	9,56	H052	112M/112MA	6	7521
96,4	211	1,5	9,64	HA52	112M/112MA	6	4017
96,4	211	2,3	9,64	HA62	112M/112MA	6	5929
96,3	210	3,3	14,75	H062	100LA/112MR	4	12000
95,7	203	1,1	29,89	HA52	90L	2	4027
95,7	203	1,7	29,89	HA62	90L	2	5944
93,9	207	1,0	30,45	H042	90L	2	5578
90,8	214	1,7	31,52	H052	90L	2	7694
89,4	218	2,9	32,00	H062	90L	2	12000
89,0	227	1,1	15,96	H042	100LA/112MR	4	5548
87,2	231	3,5	16,29	H062	100LA/112MR	4	12000
86,7	225	1,6	33,00	H052	90L	2	7766
85,6	236	1,9	16,59	H052	100LA/112MR	4	7730
84,0	240	1,2	16,91	HA52	100LA/112MR	4	4207
84,0	240	2,1	16,91	HA62	100LA/112MR	4	6209
80,8	252	1,6	11,51	H052	112M/112MA	6	7799
80,4	251	3,3	17,67	H062	100LA/112MR	4	12000
79,7	256	1,2	11,67	HA52	112M/112MA	6	4280
79,7	256	1,8	11,67	HA62	112M/112MA	6	6317
79,6	256	2,7	11,69	H062	112M/112MA	6	12000
79,1	246	1,4	36,17	HA62	90L	2	6334
78,9	256	1,8	18,00	H052	100LA/112MR	4	7850
77,3	252	2,4	36,99	H062	90L	2	12000
74,7	270	0,9	19,00	H042	100LA/112MR	4	5630
73,4	265	1,4	38,98	H052	90L	2	8000
73,4	277	2,6	12,67	H062	112M/112MA	6	12000

2,20 kW

n ₂ [rpm]	M ₂ [Nm]	f _s	i	Gear reducer	Motor		Fr ₂ [N]
					Size	Pole	
71,1	284	1,6	19,97	H052	100LA/112MR	4	7997
70,9	274	2,3	40,33	H062	90L	2	12000
70,7	288	0,9	13,57	H042	112M	6	5623
70,0	288	3,0	20,28	H062	100LA/112MR	4	12000
69,4	291	1,0	20,46	HA52	100LA/112MR	4	4482
69,4	291	1,6	20,46	HA62	100LA/112MR	4	6616
65,5	308	1,5	21,67	H052	100LA/112MR	4	8000
65,3	312	1,4	14,24	H052	112M/112MA	6	8000
64,1	318	1,4	14,50	HA62	112M/112MA	6	6792
63,6	306	1,1	44,95	HA62	90L	2	6810
63,1	323	2,3	14,75	H062	112M/112MA	6	12000
63,0	309	1,2	45,36	H052	90L	2	8000
62,1	313	2,0	46,06	H062	90L	2	12000
61,0	331	2,6	23,27	H062	100LA/112MR	4	12000
59,4	328	3,7	48,13	H082	90L	2	18000
58,2	334	1,1	49,13	H052	90L	2	8000
57,8	330	1,9	49,45	H063	90L	2	12000
57,5	351	1,3	24,71	H052	100LA/112MR	4	8000
57,4	332	1,1	49,80	HA63	90L	2	7047
57,1	357	2,4	16,29	H062	112M/112MA	6	12000
56,0	363	1,3	16,59	H052	112M/112MA	6	8000
55,8	361	1,2	25,43	HA62	100LA/112MR	4	7113
55,3	365	2,3	25,70	H062	100LA/112MR	4	12000
55,0	370	1,4	16,91	HA62	112M/112MA	6	7150
54,2	372	1,3	26,18	H052	100LA/112MR	4	8000
52,6	387	2,3	17,67	H062	112M/112MA	6	12000
52,4	364	1,8	54,61	H063	90L	2	12000
51,7	394	1,2	18,00	H052	112M/112MA	6	8000
50,6	377	3,2	56,53	H083	90L	2	18000
50,2	406	3,9	18,53	H082	112MA	6	18000
49,9	404	1,2	28,44	H052	100LA/112MR	4	8000
48,4	417	1,9	29,33	H062	100LA/112MR	4	12000
48,0	425	4,0	19,38	H082	112MA	6	18000
45,9	444	2,0	20,28	H062	112M/112MA	6	12000
45,6	443	3,6	31,15	H082	100LA/112MR	4	18000
45,5	448	1,1	20,46	HA62	112M/112MA	6	7618
45,1	448	1,1	31,52	H052	100LA/112MR	4	8000
44,4	455	1,9	32,00	H062	100LA/112MR	4	12000
43,5	469	3,6	21,39	H082	112M/112MA	6	18000
42,1	453	1,4	68,00	H063	90L	2	12000
41,3	488	3,3	34,38	H082	100LA/112MR	4	18000
40,8	499	3,4	22,80	H082	112M/112MA	6	18000

5.1 H/HA GEARED MOTORS (50Hz)

2,20 kW

n ₂ [rpm]	M ₂ [Nm]	f _s	i	Gear reducer	Motor		Fr ₂ [N]
					Size	Pole	
40,0	510	1,8	23,27	H062	112M/112MA	6	12000
40,0	476	2,8	71,48	H083	90L	2	18000
38,4	525	1,5	36,99	H062	100LA/112MR	4	12000
37,6	541	0,9	24,71	H052	112M/112MA	6	8000
37,5	539	0,9	38,98	H052	112MR	4	8000
36,7	556	0,9	26,18	H052	112M	6	8000
36,7	550	2,9	38,70	H082	100LA/112MR	4	18000
36,6	557	0,8	25,43	HA62	112M/112MA	6	8000
36,3	526	2,6	78,87	H083	90L	2	18000
36,2	563	1,6	25,70	H062	112M/112MA	6	12000
35,2	573	1,5	40,33	H062	100LA/112MR	4	12000
35,0	583	2,9	26,60	H082	112M/112MA	6	18000
33,4	611	2,8	27,88	H082	112M/112MA	6	18000
33,4	570	2,4	85,56	H083	90L	2	18000
33,3	572	1,1	85,82	H063	90L	2	12000
33,2	607	2,6	42,75	H082	100LA/112MR	4	18000
31,7	643	1,3	29,33	H062	112M/112MA	6	12000
30,8	654	1,3	46,06	H062	100LA/112MR	4	12000
30,2	631	1,0	94,76	H063	90L	2	12000
29,9	682	2,5	31,15	H082	112M/112MA	6	18000
29,5	684	2,3	48,13	H082	100LA/112MR	4	18000
29,2	654	2,1	98,09	H083	90L	2	18000
29,1	701	1,3	32,00	H062	112M/112MA	6	12000
28,7	688	1,2	49,45	H063	100LA/112MR	4	12000
27,1	753	2,2	34,38	H082	112M/112MA	6	18000
26,0	759	1,1	54,61	H063	100LA/112MR	4	12000
25,4	752	1,8	112,78	H083	90L	2	18000
25,1	786	2,0	56,53	H083	100LA/112MR	4	18000
24,2	842	3,5	38,45	H102	112M/112MA	6	22000
24,0	848	2,0	38,70	H082	112M/112MA	6	18000
23,0	829	1,6	124,44	H083	90L	2	18000
22,5	905	3,8	41,30	H102	112M/112MA	6	22000
21,8	936	1,8	42,75	H082	112M/112MA	6	18000
21,0	939	0,9	68,00	H063	100LA/112MR	4	12000
20,8	977	0,9	46,06	H062	112M	6	12000
20,4	969	3,6	69,69	H103	100LA/112MR	4	22000
20,3	1004	3,5	45,82	H102	112M/112MA	6	22000
20,1	947	1,4	142,15	H083	90L	2	18000
19,9	994	1,8	71,48	H083	100LA/112MR	4	18000
19,9	956	2,7	143,42	H103	90L	2	22000
19,3	1054	1,6	48,13	H082	112M/112MA	6	18000
18,5	1031	1,3	154,76	H083	90L	2	18000

2,20 kW

n ₂ [rpm]	M ₂ [Nm]	f _s	i	Gear reducer	Motor		Fr ₂ [N]
					Size	Pole	
18,1	1128	3,1	51,52	H102	112M/112MA	6	22000
18,0	1097	1,6	78,87	H083	100LA/112MR	4	18000
17,8	1110	3,2	79,82	H103	100LA/112MR	4	22000
17,8	1072	2,4	160,82	H103	90L	2	22000
17,6	1082	1,2	162,35	H083	90L	2	18000
16,9	1170	3,0	84,16	H103	100LA/112MR	4	22000
16,6	1190	1,5	85,56	H083	100LA/112MR	4	18000
16,5	1212	1,4	56,53	H083	112M/112MA	6	18000
16,0	1194	1,1	179,13	H083	90L	2	18000
15,8	1207	2,2	181,07	H103	90L	2	22000
15,8	1251	4,0	89,97	H123	100LA ⁽¹⁾	4	30000
15,2	1299	2,7	93,36	H103	100LA/112MR	4	22000
14,7	1300	1,0	195,07	H083	90L	2	18000
14,7	1294	2,0	194,21	H103	90L	2	22000
14,5	1364	1,3	98,09	H083	100LA/112MR	4	18000
14,2	1392	2,5	100,07	H103	100LA/112MR	4	22000
14,2	1395	3,6	100,29	H123	100LA/112MR	4	30000
13,8	1444	3,6	67,32	H123	112M/112MA	6	30000
13,3	1495	2,5	69,69	H103	112M/112MA	6	22000
13,3	1436	1,8	215,45	H103	90L	2	22000
13,1	1507	3,3	108,34	H123	100LA/112MR	4	30000
13,0	1533	1,2	71,48	H083	112M/112MA	6	18000
12,6	1569	1,1	112,78	H083	100LA/112MR	4	18000
12,6	1581	3,3	73,71	H123	112M/112MA	6	30000
12,0	1650	3,0	118,62	H123	100LA/112MR	4	30000
11,8	1681	2,1	120,84	H103	100LA/112MR	4	22000
11,8	1617	1,7	242,59	H103	90L	2	22000
11,7	1712	2,1	79,82	H103	112M/112MA	6	22000
11,4	1731	1,0	124,44	H083	100LA/112MR	4	18000
11,2	1787	2,9	83,34	H123	112M/112MA	6	30000
11,1	1805	2,0	84,16	H103	112M/112MA	6	22000
11,1	1783	2,8	128,18	H123	100LA/112MR	4	30000
10,6	1865	1,9	134,06	H103	100LA/112MR	4	22000
10,3	1930	2,7	89,97	H123	112M/112MA	6	30000
10,0	1977	0,9	142,15	H083	100LA/112MR	4	18000
10,0	2002	1,8	93,36	H103	112M/112MA	6	22000
9,9	1995	1,8	143,42	H103	100LA/112MR	4	22000
9,8	2038	0,9	98,09	H083	112M	6	18000
9,8	2014	2,5	144,79	H123	100LA/112MR	4	30000
9,3	2146	1,7	100,07	H103	112M/112MA	6	22000
9,3	2151	2,4	100,29	H123	112M/112MA	6	30000
9,1	2159	2,3	155,22	H123	100LA/112MR	4	30000

⁽¹⁾ Available only with brake motor (TBS)

2,20 kW

n ₂ [rpm]	M ₂ [Nm]	f _s	i	Gear reducer	Motor		Fr ₂ [N]
					Size	Pole	
8,8	2237	1,6	160,82	H103	100LA/112MR	4	22000
8,6	2324	2,3	108,34	H123	112M/112MA	6	30000
8,2	2403	2,1	172,80	H123	100LA/112MR	4	30000
7,8	2518	1,4	181,07	H103	100LA/112MR	4	22000
7,8	2544	2,1	118,62	H123	112M/112MA	6	30000
7,7	2592	1,4	120,84	H103	112M/112MA	6	22000
7,5	2631	1,9	189,19	H123	100LA/112MR	4	30000
7,3	2701	1,3	194,21	H103	100LA/112MR	4	22000
7,3	2749	1,9	128,18	H123	112M/112MA	6	30000
6,9	2875	1,3	134,06	H103	112M/112MA	6	22000
6,8	2885	1,7	207,43	H123	100LA/112MR	4	30000
6,6	2997	1,2	215,45	H103	100LA/112MR	4	22000
6,5	3076	1,2	143,42	H103	112M/112MA	6	22000
6,4	3105	1,7	144,79	H123	112M/112MA	6	30000
6,1	3212	1,6	230,92	H123	100LA/112MR	4	30000
6,0	3329	1,6	155,22	H123	112M/112MA	6	30000
5,9	3374	1,1	242,59	H103	100LA/112MR	4	22000
5,5	3611	1,4	259,64	H123	100LA/112MR	4	30000
5,4	3706	1,4	172,80	H123	112M/112MA	6	30000
4,9	4035	0,9	194,21	H103	112M	6	22000
4,9	4058	1,3	189,19	H123	112M/112MA	6	30000
4,5	4449	1,2	207,43	H123	112M/112MA	6	30000

3,00 kW

n ₂ [rpm]	M ₂ [Nm]	f _s	i	Gear reducer	Motor		Fr ₂ [N]
					Size	Pole	
2278,6	12	2,9	1,27	HR051	100L/100LA	2	1385
2043,2	13	3,7	1,42	HR051	100L/100LA	2	1430
1364,7	20	2,5	2,13	HR051	100L/100LA	2	1606
1160,0	23	2,9	2,50	HA61	100L/100LA	2	1986
1127,8	24	2,4	2,57	HR051	100L/100LA	2	1693
1123,6	25	1,8	1,27	HR051	100LB/112MS	4	1689
1072,5	26	3,5	1,33	HA61	100LB/112MS	4	2038
1064,2	26	3,8	1,34	HR061	100LB/112MS	4	2567
1007,5	28	2,4	1,42	HR051	100LB/112MS	4	1740
906,3	30	2,2	3,17	HR051	100L/100LA	2	1795
906,3	30	3,5	3,17	HR061	100L/100LA	2	2698
786,4	34	2,0	3,69	HR051	100L/100LA	2	1863
786,4	34	3,3	3,69	HR061	100L/100LA	2	2815
730,7	38	1,2	1,27	HR051	112MB	6	1887
725,0	37	1,8	4,00	HR051	100L/100LA	2	1901
725,0	37	3,0	4,00	HR061	100L/100LA	2	2884

3,00 kW

n ₂ [rpm]	M ₂ [Nm]	f _s	i	Gear reducer	Motor		Fr ₂ [N]
					Size	Pole	
697,5	40	2,3	1,33	HA61	112MB	6	2353
692,1	41	2,6	1,34	HR061	112MB	6	2916
668,2	42	1,6	2,13	HR051	100LB/112MS	4	1932
668,2	42	3,1	2,13	HR061	100LB/112MS	4	2948
661,4	41	2,0	4,38	HA61	100L/100LA	2	2395
655,2	43	1,6	1,42	HR051	112MB	6	1938
617,6	43	1,7	4,70	H032	100L/100LA	2	2706
601,8	45	1,6	4,77	HR051	100L/100LA	2	1990
601,8	45	2,7	4,77	HR061	100L/100LA	2	3046
572,0	49	1,9	2,50	HA61	100LB/112MS	4	2514
558,1	48	3,8	5,14	HA52	100L/100LA	2	2237
556,1	50	1,5	2,57	HR051	100LB/112MS	4	2017
556,1	50	2,8	2,57	HR061	100LB/112MS	4	3109
552,4	49	1,5	5,25	HR051	100L/100LA	2	2031
552,4	49	2,6	5,25	HR061	100L/100LA	2	3122
525,4	51	2,4	5,46	H042	100L/100LA	2	3715
501,1	53	3,7	5,73	H052	100L/100LA	2	4839
498,4	54	1,4	5,82	HR051	100L/100LA	2	2080
498,4	54	2,4	5,82	HR061	100L/100LA	2	3216
461,3	58	3,1	6,22	HA52	100L/100LA	2	2384
460,7	58	1,4	6,23	H032	100L/100LA	2	2873
451,6	62	1,4	3,17	HR051	100LB/112MS	4	2113
451,6	62	2,3	3,17	HR061	100LB/112MS	4	3298
437,6	64	1,1	2,13	HR051	112MB	6	2123
437,6	64	2,1	2,13	HR061	112MB	6	3325
416,3	64	3,4	6,89	H052	100L/100LA	2	5095
403,5	66	1,8	7,19	H042	100L/100LA	2	3965
391,4	69	1,9	7,33	HR061	100L/100LA	2	3442
387,8	72	1,3	3,69	HR051	100LB/112MS	4	2180
387,8	72	2,1	3,69	HR061	100LB/112MS	4	3441
382,7	70	3,7	7,50	HR081	100L/100LA	2	3981
372,0	75	1,3	2,50	HA61	112MB	6	2901
371,1	72	2,5	7,73	HA52	100L/100LA	2	2563
371,1	72	4,0	7,73	HA62	100LA ⁽¹⁾	2	3783
369,7	72	1,3	7,76	H032	100L/100LA	2	2988
361,7	78	1,0	2,57	HR051	112MB	6	2204
361,7	78	1,9	2,57	HR061	112MB	6	3504
357,5	78	1,2	4,00	HR051	100LB/112MS	4	2214
357,5	78	1,9	4,00	HR061	100LB/112MS	4	3518
342,7	78	1,6	8,38	HR061	100L/100LA	2	3570
339,9	79	3,3	8,44	HR081	100L/100LA	2	4000
336,6	79	3,2	8,53	H052	100L/100LA	2	5395

⁽¹⁾ Available only with brake motor (TBS)

3,00 kW

n ₂ [rpm]	M ₂ [Nm]	f _s	i	Gear reducer	Motor		Fr ₂ [N]
					Size	Pole	
323,9	86	1,3	4,38	HA61	100LB/112MS	4	3038
323,7	82	1,2	8,87	H032	100L/100LA	2	3049
306,4	91	3,5	4,67	HR081	100LB/112MS	4	4000
303,3	88	3,2	9,56	H052	100L/100LA	2	5544
302,4	91	1,0	4,70	H032	100LB/112MS	4	3044
299,8	93	1,0	4,77	HR051	100LB/112MS	4	2284
299,8	93	1,7	4,77	HR061	100LB/112MS	4	3687
297,6	89	2,5	9,64	HA52	100L/100LA	2	2759
297,6	89	3,9	9,64	HA62	100L/100LA	2	4072
293,7	96	0,9	3,17	HR051	112MB	6	2286
293,7	96	1,5	3,17	HR061	112MB	6	3700
286,2	98	3,4	3,25	HR081	112MB/132S/132SA	6	4000
282,9	94	1,1	10,14	H032	100L/100LA	2	3103
276,1	100	2,4	5,14	HA52	100LB/112MS	4	2829
276,1	100	3,8	5,14	HA62	100LB/112MS	4	4175
270,5	103	1,0	5,25	HR051	100LB/112MS	4	2322
270,5	103	1,7	5,25	HR061	100LB/112MS	4	3700
260,0	106	1,5	5,46	H042	100LB/112MS	4	4337
258,2	108	3,1	5,54	HR081	100LB/112MS	4	4000
252,2	111	1,4	3,69	HR061	112MB	6	3700
249,9	112	3,0	3,72	HR081	112MB/132S/132SA	6	4000
249,3	106	2,7	11,51	H052	100L/100LA	2	5827
247,9	111	2,3	5,73	H052	100LB/112MS	4	5809
246,6	108	1,0	11,76	H032	100L	2	3149
246,0	108	1,9	11,67	HA52	100L/100LA	2	2940
246,0	108	3,1	11,67	HA62	100L/100LA	2	4339
244,1	114	1,5	5,82	HR061	100LB/112MS	4	3700
243,2	109	1,7	11,80	H042	100L/100LA	2	4425
233,4	119	2,9	6,08	HR081	100LB/112MS	4	4000
232,5	121	1,3	4,00	HR061	112MB	6	3700
232,5	121	2,8	4,00	HR081	112MB/132S/132SA	6	4000
228,2	121	2,0	6,22	HA52	100LB/112MS	4	3014
228,2	121	3,2	6,22	HA62	100LB/112MS	4	4449
212,1	132	0,9	4,38	HA61	112MB	6	3499
211,5	126	1,5	13,57	H042	100L/100LA	2	4541
209,2	127	1,0	13,72	H032	100L/100LA	2	3187
206,0	134	2,2	6,89	H052	100LB/112MS	4	6071
201,6	132	2,4	14,24	H052	100L/100LA	2	6134
199,3	141	2,4	4,67	HR081	112MB/132S/132SA	6	4000
197,9	134	1,6	14,50	HA52	100L/100LA	2	3161
197,9	134	2,3	14,50	HA62	100L/100LA	2	4665
197,6	139	1,1	7,19	H042	100LB/112MS	4	4554

3,00 kW

n ₂ [rpm]	M ₂ [Nm]	f _s	i	Gear reducer	Motor		Fr ₂ [N]
					Size	Pole	
195,0	144	1,2	4,77	HR061	112MB	6	3700
194,6	136	3,8	14,75	H062	100L/100LA	2	11025
193,6	144	1,2	7,33	HR061	100LB/112MS	4	3700
192,1	143	3,8	7,39	H062	100LB/112MS	4	11035
189,3	147	2,4	7,50	HR081	100LB/112MS	4	4000
183,6	150	1,6	7,73	HA52	100LB/112MS	4	3241
183,6	150	2,5	7,73	HA62	100LB/112MS	4	4783
180,8	154	1,6	5,14	HA52	112MB	6	3257
180,8	154	2,6	5,14	HA62	112MB	6	4808
179,8	148	1,3	15,96	H042	100L/100LA	2	4665
177,1	158	1,1	5,25	HR061	112MB	6	3700
176,2	151	4,0	16,29	H062	100LA ⁽¹⁾	2	11335
173,0	153	2,2	16,59	H052	100L/100LA	2	6352
173,0	161	3,3	5,38	H062	112MB/132S/132SA	6	11351
170,3	163	1,0	5,46	H042	112MB	6	4643
169,7	156	1,4	16,91	HA52	100L/100LA	2	3327
169,7	156	2,4	16,91	HA62	100L/100LA	2	4911
169,6	164	1,0	8,38	HR061	100LB/112MS	4	3700
169,0	164	4,0	8,40	HR101	100LB	4	5000
168,2	165	2,1	8,44	HR081	100LB/112MS	4	4000
167,9	167	2,1	5,54	HR081	112MB/132S/132SA	6	4000
167,1	165	3,6	8,50	H062	100LB/112MS	4	11470
166,5	165	2,1	8,53	H052	100LB/112MS	4	6366
162,5	163	3,8	17,67	H062	100L/100LA	2	11592
162,4	171	1,6	5,73	H052	112MB	6	6389
159,8	176	1,0	5,82	HR061	112MB	6	3700
159,4	166	2,1	18,00	H052	100L/100LA	2	6465
159,3	173	1,2	8,91	H042	100LB/112MS	4	4697
156,7	177	3,3	5,93	H062	112MB/132S/132SA	6	11662
152,9	184	1,9	6,08	HR081	112MB/132S/132SA	6	4000
151,3	182	3,3	9,39	H062	100LB/112MS	4	11783
151,1	176	1,1	19,00	H042	100L/100LA	2	4780
149,5	186	1,4	6,22	HA52	112MB	6	3471
149,5	186	2,1	6,22	HA62	112MB	6	5123
149,3	188	3,6	6,23	HR101	112MB/132S/132SA	6	5000
148,5	185	2,0	9,56	H052	100LB/112MS	4	6520
147,3	187	1,6	9,64	HA52	100LB/112MS	4	3488
147,3	187	2,5	9,64	HA62	100LB/112MS	4	5149
143,7	185	1,9	19,97	H052	100L/100LA	2	6608
141,5	188	3,4	20,28	H062	100L/100LA	2	12000
140,3	189	1,1	20,46	HA52	100L/100LA	2	3545
140,3	189	1,8	20,46	HA62	100L/100LA	2	5233

⁽¹⁾ Available only with brake motor (TBS)

3,00 kW

n2 [rpm]	M2 [Nm]	fs	i	Gear reducer	Motor		Fr2 [N]
					Size	Pole	
137,7	200	1,2	10,31	H042	100LB/112MS	4	4774
134,9	206	1,5	6,89	H052	112MB	6	6632
132,5	200	1,8	21,67	H052	100L/100LA	2	6717
129,8	214	3,9	7,39	H082	132S/132SA	6	15421
125,8	221	2,6	7,39	H062	112MB/132S/132SA	6	12000
124,0	226	1,6	7,50	HR081	112MB/132S/132SA	6	4000
123,4	223	1,7	11,51	H052	100LB/112MS	4	6758
123,3	215	3,0	23,27	H062	100L/100LA	2	12000
123,3	228	3,0	7,55	HR101	112MB/132S/132SA	6	5000
121,7	226	1,2	11,67	HA52	100LB/112MS	4	3717
121,7	226	1,9	11,67	HA62	100LB/112MS	4	5486
121,5	226	2,9	11,69	H062	100LB/112MS	4	12000
120,3	229	1,1	11,80	H042	100LB/112MS	4	4828
120,3	231	1,1	7,73	HA52	112MB	6	3732
120,3	231	1,7	7,73	HA62	112MB	6	5508
119,7	232	3,6	8,02	H082	132S/132SA	6	15784
116,2	228	1,5	24,71	H052	100L/100LA	2	6886
112,9	235	1,4	25,43	HA62	100L/100LA	2	5626
112,1	245	2,9	12,67	H062	100LB/112MS	4	12000
111,7	238	2,7	25,70	H062	100L/100LA	2	12000
110,7	254	2,7	8,40	HR101	112MB/132S/132SA	6	5000
110,1	255	1,4	8,44	HR081	112MB/132S/132SA	6	4000
109,6	242	1,5	26,18	H052	100L/100LA	2	6957
109,4	254	2,5	8,50	H062	112MB/132S/132SA	6	12000
109,1	255	1,4	8,53	H052	112MB	6	6888
108,5	256	3,7	8,85	H082	132S/132SA	6	16230
104,6	263	1,0	13,57	H042	100LB/112MS	4	4861
100,9	263	1,4	28,44	H052	100L/100LA	2	7055
99,7	276	1,6	14,24	H052	100LB/112MS	4	7004
99,1	280	2,2	9,39	H062	112MB/132S/132SA	6	12000
97,9	281	1,0	14,50	HA52	100LB/112MS	4	3996
97,9	281	1,5	14,50	HA62	100LB/112MS	4	5898
97,8	271	2,2	29,33	H062	100L/100LA	2	12000
97,3	286	1,4	9,56	H052	112MB	6	7012
96,4	288	1,1	9,64	HA52	112MB	6	4017
96,4	288	1,7	9,64	HA62	112MB	6	5929
96,3	286	2,5	14,75	H062	100LB/112MS	4	12000
91,1	291	1,3	31,52	H052	100L/100LA	2	7169
89,7	296	2,2	32,00	H062	100L/100LA	2	12000
87,2	315	2,5	16,29	H062	100LB/112MS	4	12000
87,2	319	3,6	11,01	H082	132S/132SA	6	17243
85,6	321	1,4	16,59	H052	100LB/112MS	4	7158

3,00 kW

n ₂ [rpm]	M ₂ [Nm]	f _s	i	Gear reducer	Motor		Fr ₂ [N]
					Size	Pole	
84,0	328	0,9	16,91	HA52	100LB/112MS	4	4207
84,0	328	1,5	16,91	HA62	100LB/112MS	4	6209
83,5	318	3,8	34,38	H082	100L/100LA	2	17517
80,8	344	1,2	11,51	H052	112MB	6	7186
80,4	342	2,4	17,67	H062	100LB/112MS	4	12000
79,7	348	0,8	11,67	HA52	112MB	6	4280
79,7	348	1,3	11,67	HA62	112MB	6	6317
79,6	349	2,0	11,69	H062	112MB/132S/132SA	6	12000
78,9	349	1,3	18,00	H052	100LB/112MS	4	7229
77,6	342	1,8	36,99	H062	100L/100LA	2	12000
74,2	358	3,4	38,70	H082	100L/100LA	2	18000
73,6	360	1,0	38,98	H052	100L/100LA	2	7370
73,4	378	1,9	12,67	H062	112MB/132S/132SA	6	12000
71,2	373	1,7	40,33	H062	100L/100LA	2	12000
71,1	387	1,2	19,97	H052	100LB/112MS	4	7308
70,0	393	2,2	20,28	H062	100LB/112MS	4	12000
69,4	396	1,2	20,46	HA62	100LB/112MS	4	6616
68,9	403	3,6	13,50	H082	112MB/132S/132SA	6	18000
67,1	395	3,0	42,75	H082	100L/100LA	2	18000
66,4	414	3,9	21,39	H082	100LB/112MS	4	18000
65,5	420	1,1	21,67	H052	100LB/112MS	4	7358
65,3	425	1,1	14,24	H052	112MB	6	7332
64,1	433	1,0	14,50	HA62	112MB	6	6792
63,1	441	1,7	14,75	H062	112MB/132S/132SA	6	12000
62,4	445	3,5	14,90	H082	112MB/132S/132SA	6	18000
62,3	426	1,5	46,06	H062	100L/100LA	2	12000
62,3	442	3,6	22,80	H082	100LB/112MS	4	18000
61,0	451	1,9	23,27	H062	100LB/112MS	4	12000
59,6	445	2,7	48,13	H082	100L/100LA	2	18000
58,0	448	1,4	49,45	H063	100L/100LA	2	12000
57,5	479	1,0	24,71	H052	100LB/112MS	4	7414
57,1	486	1,7	16,29	H062	112MB/132S/132SA	6	12000
56,0	496	1,0	16,59	H052	112MB	6	7389
56,0	496	3,2	16,62	H082	112MB/132S/132SA	6	18000
55,8	493	0,9	25,43	HA62	100LB/112MS	4	7113
55,3	498	1,7	25,70	H062	100LB/112MS	4	12000
55,0	505	1,0	16,91	HA62	112MB	6	7150
54,2	507	1,0	26,18	H052	100LB/112MS	4	7429
53,4	515	3,1	26,60	H082	100LB/112MS	4	18000
52,6	528	1,7	17,67	H062	112MB/132S/132SA	6	12000
52,6	494	1,3	54,61	H063	100L/100LA	2	12000
51,0	539	0,9	28,44	H052	112MS	4	7436

3,00 kW

n ₂ [rpm]	M ₂ [Nm]	f _s	i	Gear reducer	Motor		Fr ₂ [N]
					Size	Pole	
50,9	540	3,0	27,88	H082	100LB/112MS	4	18000
50,8	512	2,3	56,53	H083	100L/100LA	2	18000
50,2	553	2,8	18,53	H082	112MB/132S/132SA	6	18000
48,4	568	1,4	29,33	H062	100LB/112MS	4	12000
48,0	579	2,9	19,38	H082	112MB/132S/132SA	6	18000
45,9	606	1,5	20,28	H062	112MB/132S/132SA	6	12000
45,6	603	2,7	31,15	H082	100LB/112MS	4	18000
44,4	620	1,4	32,00	H062	100LB/112MS	4	12000
43,5	639	2,6	21,39	H082	112MB/132S/132SA	6	18000
41,3	666	2,4	34,38	H082	100LB/112MS	4	18000
40,8	681	2,5	22,80	H082	112MB/132S/132SA	6	18000
40,2	647	2,1	71,48	H083	100L/100LA	2	18000
40,0	695	1,3	23,27	H062	112MB/132S/132SA	6	12000
38,4	716	1,1	36,99	H062	100LB/112MS	4	12000
36,9	745	3,8	38,45	H102	100LB/112MS	4	22000
36,7	750	2,1	38,70	H082	100LB/112MS	4	18000
36,2	768	1,2	25,70	H062	112MB/132S/132SA	6	12000
36,0	723	3,6	79,82	H103	100L/100LA	2	22000
35,2	781	1,1	40,33	H062	100LB/112MS	4	12000
35,0	795	2,1	26,60	H082	112MB/132S/132SA	6	18000
34,1	762	3,4	84,16	H103	100L/100LA	2	22000
33,5	775	1,7	85,56	H083	100L/100LA	2	18000
33,4	833	2,0	27,88	H082	112MB/132S/132SA	6	18000
33,2	828	1,9	42,75	H082	100LB/112MS	4	18000
31,7	876	1,0	29,33	H062	112MB	6	12000
31,0	887	3,7	45,82	H102	100LB/112MS	4	22000
30,8	892	1,0	46,06	H062	100LB/112MS	4	12000
30,7	845	3,1	93,36	H103	100L/100LA	2	22000
30,3	918	3,7	30,72	H102	112MB/132S/132SA	6	22000
29,9	931	1,8	31,15	H082	112MB/132S/132SA	6	18000
29,5	932	1,7	48,13	H082	100LB/112MS	4	18000
29,3	888	1,5	98,09	H083	100L/100LA	2	18000
28,7	938	0,9	49,45	H063	100LB/112MS	4	12000
28,7	906	2,9	100,07	H103	100L/100LA	2	22000
27,6	998	3,3	51,52	H102	100LB/112MS	4	22000
27,2	1022	3,3	34,20	H102	112MB/132S/132SA	6	22000
27,1	1027	1,6	34,38	H082	112MB/132S/132SA	6	18000
25,4	1021	1,3	112,78	H083	100L/100LA	2	18000
25,1	1072	1,5	56,53	H083	100LB/112MS	4	18000
24,2	1149	2,6	38,45	H102	112MB/132S/132SA	6	22000
24,0	1156	1,5	38,70	H082	112MB/132S/132SA	6	18000
23,8	1094	2,4	120,84	H103	100L/100LA	2	22000

5.1 H/HA GEARED MOTORS (50Hz)

3,00 kW

n ₂ [rpm]	M ₂ [Nm]	f _s	i	Gear reducer	Motor		Fr ₂ [N]
					Size	Pole	
23,1	1127	1,2	124,44	H083	100L/100LA	2	18000
22,5	1234	2,8	41,30	H102	112MB/132S/132SA	6	22000
21,8	1277	1,3	42,75	H082	112MB/132S/132SA	6	18000
21,4	1214	2,2	134,06	H103	100L/100LA	2	22000
21,1	1277	3,9	67,32	H123	100LB/112MS	4	30000
20,4	1322	2,6	69,69	H103	100LB/112MS	4	22000
20,3	1369	2,5	45,82	H102	112MB/132S/132SA	6	22000
20,0	1299	2,0	143,42	H103	100L/100LA	2	22000
19,9	1356	1,3	71,48	H083	100LB/112MS	4	18000
19,3	1438	1,2	48,13	H082	112MB/132S/132SA	6	18000
19,3	1398	3,6	73,71	H123	100LB/112MS	4	30000
18,1	1539	2,3	51,52	H102	112MB/132S/132SA	6	22000
18,0	1496	1,2	78,87	H083	100LB/112MS	4	18000
17,8	1514	2,3	79,82	H103	100LB/112MS	4	22000
17,8	1456	1,8	160,82	H103	100L/100LA	2	22000
17,3	1572	2,3	55,47	H103	132S/132SA	6	22000
17,2	1583	3,3	55,87	H123	132S/132SA	6	30000
17,0	1580	3,2	83,34	H123	100LB/112MS	4	30000
16,9	1596	2,2	84,16	H103	100LB/112MS	4	22000
16,6	1623	1,1	85,56	H083	100LB/112MS	4	18000
15,8	1640	1,6	181,07	H103	100L/100LA	2	22000
15,8	1706	2,9	89,97	H123	100LB/112MS	4	30000
15,2	1771	2,0	93,36	H103	100LB/112MS	4	22000
14,8	1759	1,5	194,21	H103	100L/100LA	2	22000
14,5	1860	1,0	98,09	H083	100LB/112MS	4	18000
14,2	1898	1,8	100,07	H103	100LB/112MS	4	22000
14,2	1902	2,6	100,29	H123	100LB/112MS	4	30000
13,8	1969	2,7	67,32	H123	112MB/132S/132SA	6	30000
13,3	2038	1,8	69,69	H103	112MB/132S/132SA	6	22000
13,3	1951	1,3	215,45	H103	100L/100LA	2	22000
13,1	2055	2,4	108,34	H123	100LB/112MS	4	30000
13,0	2091	0,9	71,48	H083	112MB/132S/132SA	6	18000
12,6	2156	2,4	73,71	H123	112MB/132S/132SA	6	30000
12,1	2240	3,7	79,07	H143	132S/132SA	6	55000
12,0	2250	2,2	118,62	H123	100LB/112MS	4	30000
11,8	2292	1,5	120,84	H103	100LB/112MS	4	22000
11,8	2197	1,2	242,59	H103	100L/100LA	2	22000
11,7	2334	1,6	79,82	H103	112MB/132S/132SA	6	22000
11,2	2437	2,2	83,34	H123	112MB/132S/132SA	6	30000
11,1	2461	1,5	84,16	H103	112MB/132S/132SA	6	22000
11,1	2431	2,1	128,18	H123	100LB/112MS	4	30000
11,1	2449	3,4	86,43	H143	132S/132SA	6	55000

5.1 H/HA GEARED MOTORS (50Hz)

3,00 kW

n ₂ [rpm]	M ₂ [Nm]	f _s	i	Gear reducer	Motor		Fr ₂ [N]
					Size	Pole	
10,6	2543	1,4	134,06	H103	100LB/112MS	4	22000
10,3	2631	2,0	89,97	H123	112MB/132S/132SA	6	30000
10,0	2731	1,3	93,36	H103	112MB/132S/132SA	6	22000
10,0	2726	3,1	96,21	H143	132S/132SA	6	55000
9,9	2720	1,3	143,42	H103	100LB/112MS	4	22000
9,8	2746	1,8	144,79	H123	100LB/112MS	4	30000
9,3	2927	1,3	100,07	H103	112MB/132S/132SA	6	22000
9,3	2933	1,8	100,29	H123	112MB/132S/132SA	6	30000
9,2	2961	2,8	104,51	H143	132S/132SA	6	55000
9,1	2944	1,7	155,22	H123	100LB/112MS	4	30000
8,8	3050	1,1	160,82	H103	100LB/112MS	4	22000
8,6	3169	1,7	108,34	H123	112MB/132S/132SA	6	30000
8,3	3284	2,6	115,92	H143	132S/132SA	6	55000
8,2	3277	1,5	172,80	H123	100LB/112MS	4	30000
7,8	3434	1,0	181,07	H103	100LB/112MS	4	22000
7,8	3469	1,5	118,62	H123	112MB/132S/132SA	6	30000
7,5	3588	1,4	189,19	H123	100LB/112MS	4	30000
7,5	3640	2,3	128,47	H143	132S/132SA	6	55000
7,3	3683	1,0	194,21	H103	100LB/112MS	4	22000
7,3	3749	1,4	128,18	H123	112MB/132S/132SA	6	30000
6,9	3954	2,1	139,55	H143	132S/132SA	6	55000
6,8	3934	1,3	207,43	H123	100LB/112MS	4	30000
6,7	4063	0,9	143,42	H103	132S/132SA	6	22000
6,4	4235	1,2	144,79	H123	112MB/132S/132SA	6	30000
6,2	4373	1,9	154,33	H143	132S/132SA	6	55000
6,1	4380	1,1	230,92	H123	100LB/112MS	4	30000
6,0	4540	1,2	155,22	H123	112MB/132S/132SA	6	30000
5,5	4924	1,0	259,64	H123	100LB/112MS	4	30000
5,2	5269	1,6	185,96	H143	132S/132SA	6	55000
4,7	5817	0,9	207,43	H123	132S	6	30000
4,7	5839	1,4	206,08	H143	132S/132SA	6	55000

4,00 kW

n ₂ [rpm]	M ₂ [Nm]	f _s	i	Gear reducer	Motor		Fr ₂ [N]
					Size	Pole	
2255,0	16	2,1	1,27	HR051	100LB/112M/112MA	2	1365
2022,0	18	2,8	1,42	HR051	100LB/112M/112MA	2	1408
1350,6	26	1,8	2,13	HR051	100LB/112M/112MA	2	1571
1350,6	26	3,7	2,13	HR061	100LB/112M/112MA	2	2363
1148,0	31	2,2	2,50	HA61	100LB/112M/112MA	2	1993
1139,3	33	1,4	1,27	HR051	112M/112MA	4	1634
1116,1	32	1,8	2,57	HR051	100LB/112M/112MA	2	1649

4,00 kW

n ₂ [rpm]	M ₂ [Nm]	f _s	i	Gear reducer	Motor		Fr ₂ [N]
					Size	Pole	
1116,1	32	3,3	2,57	HR061	100LB/112M/112MA	2	2501
1087,5	34	2,6	1,33	HA61	112M/112MA	4	2029
1071,6	35	2,9	1,34	HR061	112M/112MA	4	2527
1014,5	37	1,8	1,42	HR051	112M/112MA	4	1681
906,3	39	1,6	3,17	HR051	100LB/112M/112MA	2	1736
906,3	39	2,7	3,17	HR061	100LB/112M/112MA	2	2659
778,3	46	1,5	3,69	HR051	100LB/112M/112MA	2	1798
778,3	46	2,4	3,69	HR061	100LB/112M/112MA	2	2778
717,5	50	1,4	4,00	HR051	100LB/112M/112MA	2	1831
717,5	50	2,3	4,00	HR061	100LB/112M/112MA	2	2843
677,6	55	1,2	2,13	HR051	112M/112MA	4	1843
677,6	55	2,4	2,13	HR061	112M/112MA	4	2882
654,6	55	1,5	4,38	HA61	100LB/112M/112MA	2	2403
601,8	59	1,2	4,77	HR051	100LB/112M/112MA	2	1901
601,8	59	2,0	4,77	HR061	100LB/112M/112MA	2	2987
580,0	64	1,4	2,50	HA61	112M/112MA	4	2502
563,9	66	1,1	2,57	HR051	112M/112MA	4	1912
563,9	66	2,1	2,57	HR061	112M/112MA	4	3031
558,1	63	2,8	5,14	HA52	100LB/112M/112MA	2	2237
546,7	65	1,1	5,25	HR051	100LB/112M/112MA	2	1937
546,7	65	1,9	5,25	HR061	100LB/112M/112MA	2	3066
525,4	67	1,8	5,46	H042	100LB/112M/112MA	2	3575
518,2	69	3,6	5,54	HR081	100LB/112M/112MA	2	3590
502,3	75	3,5	1,93	HR081	132MA	6	3617
501,1	71	2,8	5,73	H052	100LB/112M/112MA	2	4721
493,3	72	1,0	5,82	HR051	100LB/112M/112MA	2	1975
493,3	72	1,8	5,82	HR061	100LB/112M/112MA	2	3153
471,8	76	3,4	6,08	HR081	100LB/112M/112MA	2	3693
461,3	77	2,3	6,22	HA52	100LB/112M/112MA	2	2384
461,3	77	3,7	6,22	HA62	100LB/112M/112MA	2	3519
457,9	81	1,1	3,17	HR051	112M/112MA	4	1984
457,9	81	1,7	3,17	HR061	112M/112MA	4	3205
443,1	84	3,8	3,25	HR081	112M/112MA	4	3757
416,3	85	2,6	6,89	H052	100LB/112M/112MA	2	4953
391,4	91	1,4	7,33	HR061	100LB/112M/112MA	2	3351
390,5	95	0,9	3,69	HR051	112M/112MA	4	2033
390,5	95	1,6	3,69	HR061	112M/112MA	4	3340
386,9	96	3,3	3,72	HR081	112M/112MA	4	3912
382,7	93	2,8	7,50	HR081	100LB/112M/112MA	2	3931
377,7	99	3,1	2,54	HR081	132MA	6	3937
371,1	95	1,9	7,73	HA52	100LB/112M/112MA	2	2563
371,1	95	3,0	7,73	HA62	100LB/112M/112MA	2	3783

4,00 kW

n ₂ [rpm]	M ₂ [Nm]	f _s	i	Gear reducer	Motor		Fr ₂ [N]
					Size	Pole	
360,0	103	1,5	4,00	HR061	112M/112MA	4	3409
360,0	103	3,1	4,00	HR081	112M/112MA	4	3995
342,7	104	1,2	8,38	HR061	100LB/112M/112MA	2	3466
339,9	105	2,5	8,44	HR081	100LB/112M/112MA	2	4000
336,6	105	2,4	8,53	H052	100LB/112M/112MA	2	5219
328,4	113	1,0	4,38	HA61	112M/112MA	4	3024
308,6	120	2,7	4,67	HR081	112M/112MA	4	4000
305,8	116	3,9	9,39	H062	100LB/112M/112MA	2	9507
301,9	123	1,3	4,77	HR061	112M/112MA	4	3558
300,1	118	2,4	9,56	H052	100LB/112M/112MA	2	5362
297,6	119	1,9	9,64	HA52	100LB/112M/112MA	2	2759
297,6	119	2,9	9,64	HA62	100LB/112M/112MA	2	4072
295,4	127	2,6	3,25	HR081	132MA	6	4000
280,0	131	1,8	5,14	HA52	112M/112MA	4	2816
280,0	131	2,9	5,14	HA62	112M/112MA	4	4156
274,3	135	1,3	5,25	HR061	112M/112MA	4	3639
267,9	137	3,7	5,38	H062	112M/112MA	4	9838
263,6	139	1,2	5,46	H042	112M/112MA	4	4037
260,0	143	2,3	5,54	HR081	112M/112MA	4	4000
257,9	145	2,3	3,72	HR081	132MA	6	4000
251,4	146	1,8	5,73	H052	112M/112MA	4	5546
249,3	142	2,1	11,51	H052	100LB/112M/112MA	2	5590
247,5	150	1,1	5,82	HR061	112M/112MA	4	3700
246,0	144	1,5	11,67	HA52	100LB/112M/112MA	2	2940
246,0	144	2,3	11,67	HA62	100LB/112M/112MA	2	4339
245,6	144	3,4	11,69	H062	100LB/112M/112MA	2	10106
242,6	151	3,6	5,93	H062	112M/112MA	4	10108
240,0	156	2,2	4,00	HR081	132MA	6	4000
236,7	157	2,2	6,08	HR081	112M/112MA	4	4000
231,4	158	1,5	6,22	HA52	112M/112MA	4	3000
231,4	158	2,4	6,22	HA62	112M/112MA	4	4428
231,1	160	4,0	6,23	HR101	112MA ⁽¹⁾	4	5000
227,4	165	3,9	4,22	HR101	132MA	6	5000
226,6	156	3,4	12,67	H062	100LB/112M/112MA	2	10330
208,9	176	1,7	6,89	H052	112M/112MA	4	5759
205,7	182	1,8	4,67	HR081	132MA	6	4000
201,6	176	1,8	14,24	H052	100LB/112M/112MA	2	5841
197,9	179	1,8	14,50	HA62	100LB/112M/112MA	2	4665
196,9	190	3,4	4,88	HR101	132MA	6	5000
196,4	189	0,9	7,33	HR061	112M/112MA	4	3700
194,8	188	2,9	7,39	H062	112M/112MA	4	10717
194,6	182	2,9	14,75	H062	100LB/112M/112MA	2	10760

⁽¹⁾ Available only with brake motor (TBS)

4,00 kW

n ₂ [rpm]	M ₂ [Nm]	f _s	i	Gear reducer	Motor		Fr ₂ [N]
					Size	Pole	
192,0	193	1,8	7,50	HR081	112M/112MA	4	4000
190,8	194	3,3	7,55	HR101	112M/112MA	4	5000
186,2	197	1,2	7,73	HA52	112M/112MA	4	3226
186,2	197	1,9	7,73	HA62	112M/112MA	4	4761
182,3	205	3,2	5,27	HR101	132MA	6	5000
178,6	207	2,5	5,38	H062	132MA	6	10950
178,1	208	3,5	5,39	H082	132MA	6	13822
176,2	201	3,0	16,29	H062	100LB/112M/112MA	2	11042
173,3	216	1,6	5,54	HR081	132MA	6	4000
173,0	205	1,6	16,59	H052	100LB/112M/112MA	2	6010
171,4	216	3,0	8,40	HR101	112M/112MA	4	5000
170,5	217	1,6	8,44	HR081	112M/112MA	4	4000
169,7	209	1,8	16,91	HA62	100LB/112M/112MA	2	4911
169,4	216	2,8	8,50	H062	112M/112MA	4	11111
168,9	217	1,6	8,53	H052	112M/112MA	4	5985
162,5	218	2,9	17,67	H062	100LB/112M/112MA	2	11275
161,8	229	2,5	5,93	H062	132MA	6	11228
161,6	227	0,9	8,91	H042	112M/112MA	4	4218
161,5	229	3,2	5,95	H082	132MA	6	14212
159,4	222	1,6	18,00	H052	100LB/112M/112MA	2	6095
157,8	237	1,5	6,08	HR081	132MA	6	4000
154,1	243	2,8	6,23	HR101	132MA	6	5000
153,6	244	3,9	6,25	HR121	132MA	6	6000
153,4	239	2,5	9,39	H062	112M/112MA	4	11391
150,6	244	1,5	9,56	H052	112M/112MA	4	6095
149,3	246	1,2	9,64	HA52	112M/112MA	4	3472
149,3	246	1,9	9,64	HA62	112M/112MA	4	5125
141,5	250	2,5	20,28	H062	100LB/112M/112MA	2	11672
140,3	252	1,4	20,46	HA62	100LB/112M/112MA	2	5233
139,6	263	0,9	10,31	H042	112M/112MA	4	4223
129,9	285	2,0	7,39	H062	132MA	6	11844
129,8	285	2,9	7,39	H082	132MA	6	15095
128,0	292	1,3	7,50	HR081	132MA	6	4000
127,2	294	2,3	7,55	HR101	132MA	6	5000
125,1	293	1,3	11,51	H052	112M/112MA	4	6251
124,7	300	3,5	7,70	HR121	132MA	6	6000
123,4	297	0,9	11,67	HA52	112M/112MA	4	3700
123,4	297	1,5	11,67	HA62	112M/112MA	4	5461
123,3	287	2,2	23,27	H062	100LB/112M/112MA	2	12000
123,2	298	2,2	11,69	H062	112M/112MA	4	12000
119,7	309	2,7	8,02	H082	132MA	6	15430
114,3	327	2,1	8,40	HR101	132MA	6	5000

4,00 kW

n ₂ [rpm]	M ₂ [Nm]	f _s	i	Gear reducer	Motor		Fr ₂ [N]
					Size	Pole	
113,7	323	2,2	12,67	H062	112M/112MA	4	12000
113,7	329	1,1	8,44	HR081	132MA	6	4000
112,9	328	1,9	8,50	H062	132MA	6	12000
111,7	317	2,0	25,70	H062	100LB/112M/112MA	2	12000
108,5	341	2,8	8,85	H082	132MA	6	15840
107,9	328	3,7	26,60	H082	100LB/112M/112MA	2	15932
102,9	344	3,5	27,88	H082	100LB/112M/112MA	2	16132
102,3	362	1,7	9,39	H062	132MA	6	12000
101,1	363	1,2	14,24	H052	112M/112MA	4	6384
99,3	369	1,1	14,50	HA62	112M/112MA	4	5871
97,8	362	1,7	29,33	H062	100LB/112M/112MA	2	12000
97,6	376	1,9	14,75	H062	112M/112MA	4	12000
96,7	379	4,0	14,90	H082	112M/112MA	4	16340
92,1	384	3,1	31,15	H082	100LB/112M/112MA	2	16608
89,7	395	1,6	32,00	H062	100LB/112M/112MA	2	12000
88,4	415	1,9	16,29	H062	112M/112MA	4	12000
87,2	425	2,7	11,01	H082	132MA	6	16758
86,8	423	1,1	16,59	H052	112M/112MA	4	6439
86,7	423	3,5	16,62	H082	112M/112MA	4	16804
85,1	431	1,2	16,91	HA62	112M/112MA	4	6180
83,5	424	2,8	34,38	H082	100LB/112M/112MA	2	17033
82,1	451	1,5	11,69	H062	132MA	6	12000
81,5	450	1,8	17,67	H062	112M/112MA	4	12000
80,0	458	1,0	18,00	H052	112M/112MA	4	6452
77,7	472	3,2	18,53	H082	112M/112MA	4	17266
75,8	489	1,5	12,67	H062	132MA	6	12000
74,3	494	3,2	19,38	H082	112M/112MA	4	17459
74,2	477	2,5	38,70	H082	100LB/112M/112MA	2	17546
72,1	509	0,9	19,97	H052	112M/112MA	4	6449
71,1	521	2,8	13,50	H082	132MA	6	17621
71,0	516	1,6	20,28	H062	112M/112MA	4	12000
70,4	521	0,9	20,46	HA62	112M/112MA	4	6585
67,3	545	2,9	21,39	H082	112M/112MA	4	17876
67,1	527	2,3	42,75	H082	100LB/112M/112MA	2	17976
65,1	569	1,3	14,75	H062	132MA	6	12000
64,4	575	2,7	14,90	H082	132MA	6	18000
63,2	581	2,8	22,80	H082	112M/112MA	4	18000
61,9	593	1,4	23,27	H062	112M/112MA	4	12000
59,6	594	2,0	48,13	H082	100LB/112M/112MA	2	18000
58,9	628	1,3	16,29	H062	132MA	6	12000
57,8	641	2,5	16,62	H082	132MA	6	18000
56,0	654	1,3	25,70	H062	112M/112MA	4	12000

4,00 kW

n ₂ [rpm]	M ₂ [Nm]	f _s	i	Gear reducer	Motor		Fr ₂ [N]
					Size	Pole	
55,7	635	3,9	51,52	H102	100LB/112M/112MA	2	22000
54,3	682	1,3	17,67	H062	132MA	6	12000
54,1	677	2,4	26,60	H082	112M/112MA	4	18000
51,8	715	2,2	18,53	H082	132MA	6	18000
51,6	710	2,3	27,88	H082	112M/112MA	4	18000
50,8	682	1,8	56,53	H083	100LB/112M/112MA	2	18000
49,5	748	2,2	19,38	H082	132MA	6	18000
49,1	747	1,1	29,33	H062	112M/112MA	4	12000
47,3	782	1,1	20,28	H062	132MA	6	12000
46,2	793	2,0	31,15	H082	112M/112MA	4	18000
45,0	815	1,0	32,00	H062	112M/112MA	4	12000
44,9	825	2,0	21,39	H082	132MA	6	18000
42,1	880	1,9	22,80	H082	132MA	6	18000
42,1	871	3,7	34,20	H102	112M/112MA	4	22000
41,9	875	1,8	34,38	H082	112M/112MA	4	18000
41,3	898	1,0	23,27	H062	132MA	6	12000
41,2	841	3,1	69,69	H103	100LB/112M/112MA	2	22000
40,2	863	1,6	71,48	H083	100LB/112M/112MA	2	18000
40,1	925	3,7	23,97	H102	132MA	6	22000
37,4	991	0,9	25,70	H062	132MA	6	12000
37,4	979	2,9	38,45	H102	112M/112MA	4	22000
37,2	986	1,6	38,70	H082	112M/112MA	4	18000
37,1	999	3,5	25,89	H102	132MA	6	22000
36,1	1026	1,6	26,60	H082	132MA	6	18000
36,0	964	2,7	79,82	H103	100LB/112M/112MA	2	22000
34,9	1052	3,1	41,30	H102	112M/112MA	4	22000
34,4	1076	1,6	27,88	H082	132MA	6	18000
34,1	1016	2,6	84,16	H103	100LB/112M/112MA	2	22000
33,7	1089	1,5	42,75	H082	112M/112MA	4	18000
33,4	1108	3,1	28,73	H102	132MA	6	22000
31,4	1167	2,8	45,82	H102	112M/112MA	4	22000
31,2	1185	2,8	30,72	H102	132MA	6	22000
30,8	1202	1,4	31,15	H082	132MA	6	18000
30,7	1127	2,3	93,36	H103	100LB/112M/112MA	2	22000
29,9	1226	1,3	48,13	H082	112M/112MA	4	18000
28,7	1208	2,2	100,07	H103	100LB/112M/112MA	2	22000
28,1	1320	2,5	34,20	H102	132MA	6	22000
28,0	1312	2,5	51,52	H102	112M/112MA	4	22000
27,9	1326	1,3	34,38	H082	132MA	6	18000
26,6	1394	3,8	36,13	H122	132MA	6	30000
25,7	1348	1,0	112,78	H083	112M/112MA	2	18000
25,5	1410	1,1	56,53	H083	112M/112MA	4	18000

4,00 kW

n2 [rpm]	M2 [Nm]	fs	i	Gear reducer	Motor Size	Pole	Fr2 [N]
25,0	1484	2,0	38,45	H102	132MA	6	22000
24,8	1493	1,1	38,70	H082	132MA	6	18000
23,8	1459	1,8	120,84	H103	100LB/112M/112MA	2	22000
23,2	1593	2,2	41,30	H102	132MA	6	22000
22,5	1649	1,0	42,75	H082	132MA	6	18000
21,8	1701	3,1	44,10	H122	132MA	6	30000
21,4	1619	1,6	134,06	H103	100LB/112M/112MA	2	22000
21,4	1679	3,0	67,32	H123	112M/112MA	4	30000
21,0	1768	2,0	45,82	H102	132MA	6	22000
21,0	1729	3,0	45,77	H123	132MA	6	30000
20,7	1738	2,0	69,69	H103	112M/112MA	4	22000
20,1	1782	1,0	71,48	H083	112M/112MA	4	18000
20,0	1732	1,5	143,42	H103	100LB/112M/112MA	2	22000
19,9	1857	0,9	48,13	H082	132MA	6	18000
19,5	1838	2,7	73,71	H123	112M/112MA	4	30000
18,6	1988	1,7	51,52	H102	132MA	6	22000
18,3	1967	0,9	78,87	H083	112M/112MA	4	18000
18,0	1990	1,8	79,82	H103	112M/112MA	4	22000
17,3	2096	1,8	55,47	H103	132MA	6	22000
17,3	2078	2,4	83,34	H123	112M/112MA	4	30000
17,2	2111	2,5	55,87	H123	132MA	6	30000
17,1	2099	1,7	84,16	H103	112M/112MA	4	22000
16,2	2237	3,8	59,22	H143	132MA	6	55000
16,0	2244	2,2	89,97	H123	112M/112MA	4	30000
15,4	2328	1,5	93,36	H103	112M/112MA	4	22000
15,2	2380	3,5	62,99	H143	132MA	6	55000
14,4	2495	1,4	100,07	H103	112M/112MA	4	22000
14,4	2501	2,0	100,29	H123	112M/112MA	4	30000
14,3	2543	2,1	67,32	H123	132MA	6	30000
13,8	2633	1,4	69,69	H103	132MA	6	22000
13,5	2696	3,1	71,35	H143	132MA	6	55000
13,3	2601	1,0	215,45	H103	100LB/112M/112MA	2	22000
13,3	2702	1,9	108,34	H123	112M/112MA	4	30000
13,0	2785	1,9	73,71	H123	132MA	6	30000
12,1	2958	1,7	118,62	H123	112M/112MA	4	30000
12,1	2987	2,8	79,07	H143	132MA	6	55000
12,0	3015	1,2	79,82	H103	132MA	6	22000
11,9	3013	1,2	120,84	H103	112M/112MA	4	22000
11,5	3148	1,7	83,34	H123	132MA	6	30000
11,4	3179	1,2	84,16	H103	132MA	6	22000
11,2	3196	1,6	128,18	H123	112M/112MA	4	30000
11,1	3265	2,6	86,43	H143	132MA	6	55000

4,00 kW

n ₂ [rpm]	M ₂ [Nm]	f _s	i	Gear reducer	Motor		Fr ₂ [N]
					Size	Pole	
10,7	3343	1,0	134,06	H103	112M/112MA	4	22000
10,7	3399	1,5	89,97	H123	132MA	6	30000
10,3	3527	1,0	93,36	H103	132MA	6	22000
10,0	3576	1,0	143,42	H103	112M/112MA	4	22000
10,0	3634	2,3	96,21	H143	132MA	6	55000
9,9	3610	1,4	144,79	H123	112M/112MA	4	30000
9,6	3780	1,0	100,07	H103	132MA	6	22000
9,6	3789	1,4	100,29	H123	132MA	6	30000
9,3	3871	1,3	155,22	H123	112M/112MA	4	30000
9,2	3948	2,1	104,51	H143	132MA	6	55000
8,9	4093	1,3	108,34	H123	132MA	6	30000
8,3	4309	1,2	172,80	H123	112M/112MA	4	30000
8,3	4379	1,9	115,92	H143	132MA	6	55000
8,1	4481	1,2	118,62	H123	132MA	6	30000
7,6	4718	1,1	189,19	H123	112M/112MA	4	30000
7,5	4842	1,1	128,18	H123	132MA	6	30000
7,5	4853	1,7	128,47	H143	132MA	6	55000
6,9	5173	1,0	207,43	H123	112M/112MA	4	30000
6,9	5272	1,6	139,55	H143	132MA	6	55000
6,6	5470	1,0	144,79	H123	132MA	6	30000
6,2	5804	0,9	155,22	H123	132MA	6	30000
6,2	5830	1,4	154,33	H143	132MA	6	55000
5,2	7025	1,2	185,96	H143	132MA	6	55000
4,7	7785	1,1	206,08	H143	132MA	6	55000

4,80 kW

n ₂ [rpm]	M ₂ [Nm]	f _s	i	Gear reducer	Motor		Fr ₂ [N]
					Size	Pole	
1123,6	40	1,1	1,27	HR051	112MB ⁽¹⁾	4	1600
1072,5	41	2,2	1,33	HA61	112MB ⁽¹⁾	4	2038
1064,2	42	2,4	1,34	HR061	112MB ⁽¹⁾	4	2504
1007,5	44	1,5	1,42	HR051	112MB ⁽¹⁾	4	1640
672,9	66	1,0	2,13	HR051	112MB ⁽¹⁾	4	1779
672,9	66	2,0	2,13	HR061	112MB ⁽¹⁾	4	2843
572,0	78	1,2	2,50	HA61	112MB ⁽¹⁾	4	2514
562,6	79	3,7	2,54	HR081	112MB ⁽¹⁾	4	3469
556,1	80	0,9	2,57	HR051	112MB ⁽¹⁾	4	1837
556,1	80	1,8	2,57	HR061	112MB ⁽¹⁾	4	2990
451,6	98	1,4	3,17	HR061	112MB ⁽¹⁾	4	3151
440,0	101	3,1	3,25	HR081	112MB ⁽¹⁾	4	3729
387,8	115	1,3	3,69	HR061	112MB ⁽¹⁾	4	3269
384,2	116	2,8	3,72	HR081	112MB ⁽¹⁾	4	3879

⁽¹⁾ Available only with brake motor (TBS)

4,80 kW

n ₂ [rpm]	M ₂ [Nm]	f _s	i	Gear reducer	Motor		Fr ₂ [N]
					Size	Pole	
357,5	124	1,2	4,00	HR061	112MB ⁽¹⁾	4	3332
357,5	124	2,6	4,00	HR081	112MB ⁽¹⁾	4	3960
326,1	136	0,8	4,38	HA61	112MB ⁽¹⁾	4	3031
306,4	145	2,2	4,67	HR081	112MB ⁽¹⁾	4	4000
299,8	148	1,1	4,77	HR061	112MB ⁽¹⁾	4	3465
278,1	158	1,5	5,14	HA52	112MB ⁽¹⁾	4	2822
278,1	158	2,4	5,14	HA62	112MB ⁽¹⁾	4	4166
272,4	163	1,0	5,25	HR061	112MB ⁽¹⁾	4	3536
271,5	164	3,8	5,27	HR101	112MB ⁽¹⁾	4	5000
266,0	165	3,0	5,38	H062	112MB ⁽¹⁾	4	9696
261,8	168	1,0	5,46	H042	112MB ⁽¹⁾	4	3808
258,2	172	1,9	5,54	HR081	112MB ⁽¹⁾	4	4000
249,7	176	1,5	5,73	H052	112MB ⁽¹⁾	4	5358
245,8	181	0,9	5,82	HR061	112MB ⁽¹⁾	4	3610
240,9	183	3,0	5,93	H062	112MB ⁽¹⁾	4	9950
235,1	189	1,8	6,08	HR081	112MB ⁽¹⁾	4	4000
229,8	191	1,3	6,22	HA52	112MB ⁽¹⁾	4	3007
229,8	191	2,0	6,22	HA62	112MB ⁽¹⁾	4	4439
229,5	194	3,3	6,23	HR101	112MB ⁽¹⁾	4	5000
207,4	212	1,4	6,89	H052	112MB ⁽¹⁾	4	5530
193,5	227	2,4	7,39	H062	112MB ⁽¹⁾	4	10516
190,7	233	1,5	7,50	HR081	112MB ⁽¹⁾	4	4000
189,5	235	2,8	7,55	HR101	112MB ⁽¹⁾	4	5000
184,9	238	1,0	7,73	HA52	112MB ⁽¹⁾	4	3233
184,9	238	1,6	7,73	HA62	112MB ⁽¹⁾	4	4772
170,2	261	2,5	8,40	HR101	112MB ⁽¹⁾	4	5000
169,3	263	1,3	8,44	HR081	112MB ⁽¹⁾	4	4000
168,2	262	2,3	8,50	H062	112MB ⁽¹⁾	4	10876
167,7	262	1,3	8,53	H052	112MB ⁽¹⁾	4	5699
152,4	289	2,1	9,39	H062	112MB ⁽¹⁾	4	11130
149,5	294	1,3	9,56	H052	112MB ⁽¹⁾	4	5774
148,3	297	1,0	9,64	HA52	112MB ⁽¹⁾	4	3480
148,3	297	1,6	9,64	HA62	112MB ⁽¹⁾	4	5137
124,2	354	1,1	11,51	H052	112MB ⁽¹⁾	4	5862
122,6	359	1,2	11,67	HA62	112MB ⁽¹⁾	4	5473
122,4	360	1,8	11,69	H062	112MB ⁽¹⁾	4	11679
112,9	390	1,8	12,67	H062	112MB ⁽¹⁾	4	11874
105,9	415	3,4	13,50	H082	112MB ⁽¹⁾	4	15638
100,4	438	1,0	14,24	H052	112MB ⁽¹⁾	4	5899
98,6	446	0,9	14,50	HA62	112MB ⁽¹⁾	4	5885
96,9	454	1,5	14,75	H062	112MB ⁽¹⁾	4	12000
96,0	458	3,3	14,90	H082	112MB ⁽¹⁾	4	16020

⁽¹⁾ Available only with brake motor (TBS)

4,80 kW

n ₂ [rpm]	M ₂ [Nm]	f _s	i	Gear reducer	Motor		Fr ₂ [N]
					Size	Pole	
87,8	501	1,6	16,29	H062	112MB ⁽¹⁾	4	12000
86,1	511	2,9	16,62	H082	112MB ⁽¹⁾	4	16444
84,6	520	1,0	16,91	HA62	112MB ⁽¹⁾	4	6194
80,9	544	1,5	17,67	H062	112MB ⁽¹⁾	4	12000
77,2	570	2,6	18,53	H082	112MB ⁽¹⁾	4	16861
73,8	597	2,7	19,38	H082	112MB ⁽¹⁾	4	17034
70,5	624	1,4	20,28	H062	112MB ⁽¹⁾	4	12000
66,9	658	2,4	21,39	H082	112MB ⁽¹⁾	4	17404
62,7	702	2,3	22,80	H082	112MB ⁽¹⁾	4	17640
61,4	716	1,2	23,27	H062	112MB ⁽¹⁾	4	12000
55,6	791	1,1	25,70	H062	112MB ⁽¹⁾	4	12000
53,8	819	2,0	26,60	H082	112MB ⁽¹⁾	4	18000
51,3	858	1,9	27,88	H082	112MB ⁽¹⁾	4	18000
49,8	884	3,7	28,73	H102	112MB ⁽¹⁾	4	22000
46,5	945	3,4	30,72	H102	112MB ⁽¹⁾	4	22000
45,9	959	1,7	31,15	H082	112MB ⁽¹⁾	4	18000
41,8	1052	3,0	34,20	H102	112MB ⁽¹⁾	4	22000
41,6	1058	1,5	34,38	H082	112MB ⁽¹⁾	4	18000
37,2	1183	2,4	38,45	H102	112MB ⁽¹⁾	4	22000
36,9	1191	1,3	38,70	H082	112MB ⁽¹⁾	4	18000
34,6	1271	2,6	41,30	H102	112MB ⁽¹⁾	4	22000
33,5	1316	1,2	42,75	H082	112MB ⁽¹⁾	4	18000
31,2	1410	2,3	45,82	H102	112MB ⁽¹⁾	4	22000
29,7	1481	1,1	48,13	H082	112MB ⁽¹⁾	4	18000
27,8	1585	2,1	51,52	H102	112MB ⁽¹⁾	4	22000
25,3	1703	0,9	56,53	H083	112MB ⁽¹⁾	4	18000
21,2	2029	2,5	67,32	H123	112MB ⁽¹⁾	4	30000
20,5	2100	1,7	69,69	H103	112MB ⁽¹⁾	4	22000
19,4	2221	2,3	73,71	H123	112MB ⁽¹⁾	4	30000
17,9	2405	1,5	79,82	H103	112MB ⁽¹⁾	4	22000
17,2	2511	2,0	83,34	H123	112MB ⁽¹⁾	4	30000
17,0	2536	1,4	84,16	H103	112MB ⁽¹⁾	4	22000
15,9	2711	1,8	89,97	H123	112MB ⁽¹⁾	4	30000
15,3	2813	1,2	93,36	H103	112MB ⁽¹⁾	4	22000
14,3	3015	1,2	100,07	H103	112MB ⁽¹⁾	4	22000
14,3	3022	1,7	100,29	H123	112MB ⁽¹⁾	4	30000
13,2	3265	1,5	108,34	H123	112MB ⁽¹⁾	4	30000
12,1	3574	1,4	118,62	H123	112MB ⁽¹⁾	4	30000
11,8	3641	1,0	120,84	H103	112MB ⁽¹⁾	4	22000
11,2	3862	1,3	128,18	H123	112MB ⁽¹⁾	4	30000
9,9	4363	1,1	144,79	H123	112MB ⁽¹⁾	4	30000
9,2	4677	1,1	155,22	H123	112MB ⁽¹⁾	4	30000

⁽¹⁾ Available only with brake motor (TBS)

4,80 kW

n2 [rpm]	M2 [Nm]	fs	i	Gear reducer	Motor Size	Pole	Fr2 [N]
8,3	5207	1,0	172,80	H123	112MB ⁽¹⁾	4	30000

5,50 kW

n2 [rpm]	M2 [Nm]	fs	i	Gear reducer	Motor Size	Pole	Fr2 [N]
2286,4	22	1,6	1,27	HR051	112MB ⁽¹⁾	2	1325
2182,5	23	3,0	1,33	HA61	112MB ⁽¹⁾	2	1609
2165,6	23	3,3	1,34	HR061	112MB ⁽¹⁾	2	2022
2050,2	24	2,0	1,42	HR051	112MB ⁽¹⁾	2	1363
1369,4	36	1,4	2,13	HR051	112MB ⁽¹⁾	2	1506
1369,4	36	2,7	2,13	HR061	112MB ⁽¹⁾	2	2314
1164,0	42	1,6	2,50	HA61	112MB ⁽¹⁾	2	1983
1131,7	43	1,3	2,57	HR051	112MB ⁽¹⁾	2	1572
1131,7	43	2,4	2,57	HR061	112MB ⁽¹⁾	2	2444
918,9	54	1,2	3,17	HR051	112MB ⁽¹⁾	2	1642
918,9	54	2,0	3,17	HR061	112MB ⁽¹⁾	2	2590
789,2	62	1,1	3,69	HR051	112MB ⁽¹⁾	2	1690
789,2	62	1,8	3,69	HR061	112MB ⁽¹⁾	2	2699
781,8	63	3,8	3,72	HR081	112MB/132SA/132S	2	3129
750,9	68	3,7	1,93	HR081	132MS/132S	4	3162
740,0	70	3,3	1,30	HR081	132MB	6	3174
727,5	68	1,7	4,00	HR061	112MB ⁽¹⁾	2	2758
727,5	68	3,6	4,00	HR081	112MB/132SA/132S	2	3197
672,0	77	3,3	1,43	HR081	132MB	6	3267
663,7	74	1,1	4,38	HA61	112MB ⁽¹⁾	2	2392
623,6	79	3,0	4,67	HR081	112MB/132SA/132S	2	3348
610,2	81	1,5	4,77	HR061	112MB ⁽¹⁾	2	2887
574,4	89	3,3	2,54	HR081	132MS/132S	4	3423
565,8	86	2,1	5,14	HA52	112MB ⁽¹⁾	2	2227
565,8	86	3,3	5,14	HA62	112MB ⁽¹⁾	2	3287
554,3	89	1,4	5,25	HR061	112MB ⁽¹⁾	2	2958
532,7	91	1,3	5,46	H042	112MB ⁽¹⁾	2	3358
525,4	94	2,6	5,54	HR081	112MB/132SA/132S	2	3521
508,1	96	2,0	5,73	H052	112MB ⁽¹⁾	2	4529
500,2	98	1,3	5,82	HR061	112MB ⁽¹⁾	2	3034
497,1	104	2,5	1,93	HR081	132MB	6	3569
478,4	103	2,5	6,08	HR081	112MB/132SA/132S	2	3619
467,7	104	1,7	6,22	HA52	112MB ⁽¹⁾	2	2373
467,7	104	2,7	6,22	HA62	112MB ⁽¹⁾	2	3503
446,2	114	2,8	3,25	HR081	132MS/132S	4	3684
422,1	115	1,9	6,89	H052	112MB ⁽¹⁾	2	4725
396,8	124	1,0	7,33	HR061	112MB ⁽¹⁾	2	3204

⁽¹⁾ Available only with brake motor (TBS)

5,50 kW

n ₂ [rpm]	M ₂ [Nm]	f _s	i	Gear reducer	Motor		Fr ₂ [N]
					Size	Pole	
393,7	124	3,3	7,39	H062	112MB/132SA/132S	2	8646
389,6	131	2,4	3,72	HR081	132MS/132S	4	3828
388,0	127	2,1	7,50	HR081	112MB/132SA/132S	2	3842
385,7	127	3,8	7,55	HR101	112MB/132SA/132S	2	4938
377,7	136	2,3	2,54	HR081	132MB	6	3859
376,3	129	1,4	7,73	HA52	112MB ⁽¹⁾	2	2551
376,3	129	2,2	7,73	HA62	112MB ⁽¹⁾	2	3766
362,5	141	2,3	4,00	HR081	132MS/132S	4	3906
346,4	142	3,4	8,40	HR101	112MB/132SA/132S	2	5000
344,6	143	1,8	8,44	HR081	112MB/132SA/132S	2	3973
342,4	142	3,2	8,50	H062	112MB/132SA/132S	2	8981
341,3	143	1,8	8,53	H052	112MB ⁽¹⁾	2	4942
326,5	149	1,1	8,91	H042	112MB ⁽¹⁾	2	3601
310,7	164	2,0	4,67	HR081	132MS/132S	4	4000
310,1	157	2,9	9,39	H062	112MB/132SA/132S	2	9220
304,3	160	1,7	9,56	H052	112MB ⁽¹⁾	2	5054
301,8	161	1,4	9,64	HA52	112MB ⁽¹⁾	2	2746
301,8	161	2,1	9,64	HA62	112MB ⁽¹⁾	2	4053
297,4	171	3,6	4,88	HR101	132MS/132S	4	5000
295,4	174	1,9	3,25	HR081	132MB	6	4000
293,3	175	3,7	3,27	HR101	132MB	6	5000
282,1	172	1,0	10,31	H042	112MB ⁽¹⁾	2	3645
275,3	185	3,4	5,27	HR101	132MS/132S	4	5000
269,8	187	2,7	5,38	H062	132MS/132S	4	9522
269,1	187	3,7	5,39	H082	132MS/132S	4	12037
261,8	195	1,7	5,54	HR081	132MS/132S	4	4000
259,5	198	3,2	3,70	HR101	132MB	6	5000
257,9	200	1,7	3,72	HR081	132MB	6	4000
252,8	192	1,5	11,51	H052	112MB ⁽¹⁾	2	5223
249,4	195	1,1	11,67	HA52	112MB ⁽¹⁾	2	2926
249,4	195	1,7	11,67	HA62	112MB ⁽¹⁾	2	4319
249,0	195	2,5	11,69	H062	112MB/132SA/132S	2	9757
244,3	206	2,7	5,93	H062	132MS/132S	4	9761
243,9	207	3,4	5,95	H082	132MS/132S	4	12374
240,0	214	1,6	4,00	HR081	132MB	6	4000
238,4	214	1,6	6,08	HR081	132MS/132S	4	4000
232,7	219	2,9	6,23	HR101	132MS/132S	4	5000
229,7	212	2,5	12,67	H062	112MB/132SA/132S	2	9955
227,4	226	2,8	4,22	HR101	132MB	6	5000
205,7	250	1,3	4,67	HR081	132MB	6	4000
204,4	238	1,4	14,24	H052	112MB ⁽¹⁾	2	5391
200,7	242	1,3	14,50	HA62	112MB ⁽¹⁾	2	4644

⁽¹⁾ Available only with brake motor (TBS)

5,50 kW

n ₂ [rpm]	M ₂ [Nm]	f _s	i	Gear reducer	Motor		Fr ₂ [N]
					Size	Pole	
200,0	257	3,6	4,80	HR121	132MB	6	6000
197,3	247	2,1	14,75	H062	112MB/132SA/132S	2	10328
196,9	261	2,5	4,88	HR101	132MB	6	5000
196,2	257	2,1	7,39	H062	132MS/132S	4	10290
196,1	257	3,1	7,39	H082	132MS/132S	4	13137
193,3	264	1,3	7,50	HR081	132MS/132S	4	4000
192,2	265	2,5	7,55	HR101	132MS/132S	4	5000
188,3	271	3,7	7,70	HR121	132MS/132S	4	6000
184,1	280	3,3	5,21	HR121	132MB	6	6000
182,3	282	2,3	5,27	HR101	132MB	6	5000
180,8	279	2,9	8,02	H082	132MS/132S	4	13427
178,7	272	2,2	16,29	H062	112MB/132SA/132S	2	10570
178,6	285	1,8	5,38	H062	132MB	6	10497
178,1	286	2,6	5,39	H082	132MB	6	13466
175,4	277	1,2	16,59	H052	112MB ⁽¹⁾	2	5490
173,3	297	1,2	5,54	HR081	132MB	6	4000
172,6	295	2,2	8,40	HR101	132MS/132S	4	5000
172,1	283	1,3	16,91	HA62	112MB ⁽¹⁾	2	4888
171,7	297	1,2	8,44	HR081	132MS/132S	4	4000
170,6	296	2,0	8,50	H062	132MS/132S	4	10621
164,7	295	2,1	17,67	H062	112MB/132SA/132S	2	10766
163,8	308	2,9	8,85	H082	132MS/132S	4	13780
161,8	315	1,8	5,93	H062	132MB	6	10728
161,7	301	1,1	18,00	H052	112MB ⁽¹⁾	2	5532
161,5	315	2,3	5,95	H082	132MB	6	13818
157,8	326	1,1	6,08	HR081	132MB	6	4000
157,1	310	3,6	18,53	H082	112MB/132SA/132S	2	13983
154,5	326	1,8	9,39	H062	132MS/132S	4	10852
154,1	334	2,0	6,23	HR101	132MB	6	5000
153,6	335	2,8	6,25	HR121	132MB	6	6000
150,1	324	3,7	19,38	H082	112MB/132SA/132S	2	14149
145,7	334	1,0	19,97	H052	112MB ⁽¹⁾	2	5575
143,5	339	1,9	20,28	H062	112MB/132SA/132S	2	11093
142,2	342	1,0	20,46	HA62	112MB ⁽¹⁾	2	5209
136,1	358	3,4	21,39	H082	112MB/132SA/132S	2	14512
131,7	383	2,9	11,01	H082	132MS/132S	4	14570
129,9	392	1,5	7,39	H062	132MB	6	11221
129,8	392	2,1	7,39	H082	132MB	6	14605
128,0	402	0,9	7,50	HR081	132MB	6	4000
127,6	381	3,1	22,80	H082	112MB/132SA/132S	2	14748
127,2	404	1,7	7,55	HR101	132MB	6	5000
125,0	389	1,6	23,27	H062	112MB/132SA/132S	2	11409

⁽¹⁾ Available only with brake motor (TBS)

5,50 kW

n ₂ [rpm]	M ₂ [Nm]	f _s	i	Gear reducer	Motor		Fr ₂ [N]
					Size	Pole	
124,7	413	2,5	7,70	HR121	132MB	6	6000
124,1	406	1,6	11,69	H062	132MS/132S	4	11343
119,7	426	2,0	8,02	H082	132MB	6	14899
114,5	440	1,6	12,67	H062	132MS/132S	4	11514
114,3	450	1,5	8,40	HR101	132MB	6	5000
113,2	430	1,5	25,70	H062	112MB/132SA/132S	2	11627
112,9	451	1,4	8,50	H062	132MB	6	11516
109,4	445	2,7	26,60	H082	112MB/132SA/132S	2	15318
108,5	470	2,0	8,85	H082	132MB	6	15254
107,4	469	3,0	13,50	H082	132MS/132S	4	15311
104,4	466	2,6	27,88	H082	112MB/132SA/132S	2	15492
102,3	498	1,3	9,39	H062	132MB	6	11712
99,2	490	1,2	29,33	H062	112MB ⁽¹⁾	2	11904
98,3	513	1,4	14,75	H062	132MS/132S	4	11817
97,3	518	2,9	14,90	H082	132MS/132S	4	15665
93,4	521	2,3	31,15	H082	112MB/132SA/132S	2	15899
89,0	566	1,4	16,29	H062	132MS/132S	4	11998
87,3	578	2,6	16,62	H082	132MS/132S	4	16054
87,2	584	2,0	11,01	H082	132MB	6	16029
84,7	575	2,1	34,38	H082	112MB/132SA/132S	2	16256
82,1	620	1,1	11,69	H062	132MB	6	12000
82,1	614	1,4	17,67	H062	132MS/132S	4	12000
78,3	644	2,3	18,53	H082	132MS/132S	4	16433
75,8	672	1,1	12,67	H062	132MB	6	12000
75,7	643	3,3	38,45	H102	112MB/132SA/132S	2	22000
75,2	647	1,9	38,70	H082	112MB/132SA/132S	2	16679
74,8	674	2,4	19,38	H082	132MS/132S	4	16589
71,5	705	1,2	20,28	H062	132MS/132S	4	12000
71,1	716	2,1	13,50	H082	132MB	6	16728
70,5	691	3,6	41,30	H102	112MB/132SA/132S	2	22000
68,1	715	1,7	42,75	H082	112MB/132SA/132S	2	17024
67,8	744	2,2	21,39	H082	132MS/132S	4	16919
65,1	782	0,9	14,75	H062	132MB	6	12000
64,4	790	2,0	14,90	H082	132MB	6	17049
63,6	793	2,0	22,80	H082	132MS/132S	4	17128
63,5	766	3,2	45,82	H102	112MB/132SA/132S	2	22000
62,3	809	1,1	23,27	H062	132MS/132S	4	12000
60,5	805	1,5	48,13	H082	112MB/132SA/132S	2	17423
60,5	834	4,0	23,97	H102	132S	4	22000
59,7	854	3,9	16,09	H102	132MB	6	22000
58,9	864	1,0	16,29	H062	132MB	6	12000
57,8	881	1,8	16,62	H082	132MB	6	17390

⁽¹⁾ Available only with brake motor (TBS)

5,50 kW

n ₂ [rpm]	M ₂ [Nm]	f _s	i	Gear reducer	Motor		Fr ₂ [N]
					Size	Pole	
56,5	861	2,9	51,52	H102	112MB/132SA/132S	2	22000
56,4	894	1,0	25,70	H062	132MS/132S	4	12000
56,0	900	3,7	25,89	H102	132MS/132S	4	22000
54,5	925	1,7	26,60	H082	132MS/132S	4	17607
54,3	937	0,9	17,67	H062	132MB	6	12000
53,8	947	3,5	17,85	H102	132MB	6	22000
52,5	908	2,9	55,47	H103	132SA/132S	2	22000
52,0	970	1,7	27,88	H082	132MS/132S	4	17744
51,8	983	1,6	18,53	H082	132MB	6	17710
50,5	999	3,3	28,73	H102	132MS/132S	4	22000
49,5	1028	1,6	19,38	H082	132MB	6	17836
48,4	1053	3,2	19,85	H102	132MB	6	22000
47,2	1068	3,0	30,72	H102	132MS/132S	4	22000
46,5	1083	1,5	31,15	H082	132MS/132S	4	18000
44,9	1135	1,5	21,39	H082	132MB	6	18000
44,8	1138	3,0	21,44	H102	132MB	6	22000
42,4	1189	2,7	34,20	H102	132MS/132S	4	22000
42,2	1195	1,3	34,38	H082	132MS/132S	4	18000
42,1	1210	1,4	22,80	H082	132MB	6	18000
41,8	1141	2,3	69,69	H103	112MB/132SA/132S	2	22000
40,1	1272	2,7	23,97	H102	132MB	6	22000
40,1	1256	4,0	36,13	H122	132S ⁽¹⁾	4	30000
37,7	1337	2,1	38,45	H102	132MS/132S	4	22000
37,5	1346	1,2	38,70	H082	132MS/132S	4	18000
37,1	1374	2,5	25,89	H102	132MB	6	22000
36,5	1307	2,0	79,82	H103	112MB/132SA/132S	2	22000
36,1	1411	1,2	26,60	H082	132MB	6	18000
35,1	1436	2,3	41,30	H102	132MS/132S	4	22000
34,9	1458	3,6	27,49	H122	132MB	6	30000
34,6	1378	1,9	84,16	H103	112MB/132SA/132S	2	22000
34,4	1479	1,1	27,88	H082	132MB	6	18000
33,9	1487	1,1	42,75	H082	132MS/132S	4	18000
33,4	1524	2,3	28,73	H102	132MB	6	22000
32,9	1534	3,3	44,10	H122	132MS/132S	4	30000
32,1	1584	3,3	29,86	H122	132MB	6	30000
31,7	1559	3,2	45,77	H123	132MS/132S	4	30000
31,6	1593	2,1	45,82	H102	132MS/132S	4	22000
31,2	1630	2,1	30,72	H102	132MB	6	22000
31,2	1529	1,7	93,36	H103	112MB/132SA/132S	2	22000
30,8	1653	1,0	31,15	H082	132MB	6	18000
30,1	1674	1,0	48,13	H082	132MS/132S	4	18000
29,1	1638	1,6	100,07	H103	112MB/132SA/132S	2	22000

⁽¹⁾ Available only with brake motor (TBS)

5,50 kW

n ₂ [rpm]	M ₂ [Nm]	f _s	i	Gear reducer	Motor		Fr ₂ [N]
					Size	Pole	
29,1	1751	3,0	33,00	H122	132MB	6	30000
28,1	1814	1,9	34,20	H102	132MB	6	22000
28,1	1791	1,8	51,52	H102	132MS/132S	4	22000
27,9	1824	0,9	34,38	H082	132MB	6	18000
26,6	1917	2,7	36,13	H122	132MB	6	30000
26,1	1889	1,9	55,47	H103	132MS/132S	4	22000
26,0	1902	2,6	55,87	H123	132MS/132S	4	30000
25,0	2040	1,4	38,45	H102	132MB	6	22000
24,5	2016	4,0	59,22	H143	132S	4	55000
23,2	2191	1,6	41,30	H102	132MB	6	22000
23,0	2145	3,7	62,99	H143	132MS/132S	4	55000
21,8	2340	2,2	44,10	H122	132MB	6	30000
21,5	2292	2,2	67,32	H123	132MS/132S	4	30000
21,0	2431	1,4	45,82	H102	132MB	6	22000
21,0	2378	2,2	45,77	H123	132MB	6	30000
20,8	2373	1,5	69,69	H103	132MS/132S	4	22000
20,3	2430	3,3	71,35	H143	132MS/132S	4	55000
19,7	2510	2,0	73,71	H123	132MS/132S	4	30000
18,6	2733	1,3	51,52	H102	132MB	6	22000
18,3	2606	1,0	160,82	H103	132SA/132S	2	22000
18,3	2693	3,0	79,07	H143	132MS/132S	4	55000
18,2	2718	1,3	79,82	H103	132MS/132S	4	22000
17,9	2780	3,0	53,53	H143	132MB	6	55000
17,4	2838	1,8	83,34	H123	132MS/132S	4	30000
17,3	2882	1,3	55,47	H103	132MB	6	22000
17,2	2866	1,2	84,16	H103	132MS/132S	4	22000
17,2	2902	1,8	55,87	H123	132MB	6	30000
16,8	2943	2,7	86,43	H143	132MS/132S	4	55000
16,2	3076	2,7	59,22	H143	132MB	6	55000
16,1	3064	1,6	89,97	H123	132MS/132S	4	30000
15,5	3179	1,1	93,36	H103	132MS/132S	4	22000
15,2	3272	2,6	62,99	H143	132MB	6	55000
15,1	3276	2,4	96,21	H143	132MS/132S	4	55000
14,5	3407	1,0	100,07	H103	132MS/132S	4	22000
14,5	3415	1,5	100,29	H123	132MS/132S	4	30000
14,3	3497	1,5	67,32	H123	132MB	6	30000
13,9	3559	2,2	104,51	H143	132MS/132S	4	55000
13,8	3620	1,0	69,69	H103	132MB	6	22000
13,5	3706	2,3	71,35	H143	132MB	6	55000
13,4	3689	1,4	108,34	H123	132MS/132S	4	30000
13,0	3829	1,4	73,71	H123	132MB	6	30000
12,5	3947	2,0	115,92	H143	132MS/132S	4	55000

5,50 kW

n ₂ [rpm]	M ₂ [Nm]	f _s	i	Gear reducer	Motor		Fr ₂ [N]
					Size	Pole	
12,2	4039	1,2	118,62	H123	132MS/132S	4	30000
12,1	4108	2,0	79,07	H143	132MB	6	55000
11,5	4329	1,2	83,34	H123	132MB	6	30000
11,3	4364	1,1	128,18	H123	132MS/132S	4	30000
11,3	4374	1,8	128,47	H143	132MS/132S	4	55000
11,1	4490	1,9	86,43	H143	132MB	6	55000
10,7	4674	1,1	89,97	H123	132MB	6	30000
10,4	4752	1,7	139,55	H143	132MS/132S	4	55000
10,0	4930	1,0	144,79	H123	132MS/132S	4	30000
10,0	4997	1,7	96,21	H143	132MB	6	55000
9,6	5209	1,0	100,29	H123	132MB	6	30000
9,4	5255	1,5	154,33	H143	132MS/132S	4	55000
9,3	5285	0,9	155,22	H123	132MS/132S	4	30000
9,2	5429	1,5	104,51	H143	132MB	6	55000
8,9	5628	0,9	108,34	H123	132MB	6	30000
8,3	6021	1,4	115,92	H143	132MB	6	55000
7,8	6332	1,3	185,96	H143	132MS/132S	4	55000
7,5	6673	1,3	128,47	H143	132MB	6	55000
7,0	7017	1,1	206,08	H143	132MS/132S	4	55000
6,9	7249	1,2	139,55	H143	132MB	6	55000
6,2	8017	1,0	154,33	H143	132MB	6	55000

7,50 kW

n ₂ [rpm]	M ₂ [Nm]	f _s	i	Gear reducer	Motor		Fr ₂ [N]
					Size	Pole	
1144,9	59	3,8	2,54	HR081	132M/132SB	2	2752
1125,4	62	3,6	1,30	HR081	132MA/132M	4	2762
1022,0	68	3,5	1,43	HR081	132MA/132M	4	2842
895,4	75	3,2	3,25	HR081	132M/132SB	2	2961
781,8	86	2,8	3,72	HR081	132M/132SB	2	3080
750,9	93	2,7	1,93	HR081	132MA/132M	4	3110
732,5	92	2,6	4,00	HR081	132M/132SB	2	3139
623,6	108	2,2	4,67	HR081	132M/132SB	2	3287
570,5	122	2,4	2,54	HR081	132MA/132M	4	3362
556,3	121	3,9	5,27	HR101	132M/132SB	2	4365
541,4	123	3,1	5,38	H062	132M/132SB	2	7718
525,4	128	1,9	5,54	HR081	132M/132SB	2	3449
490,3	135	3,0	5,93	H062	132M/132SB	2	7924
489,4	136	3,9	5,95	H082	132M/132SB	2	9964
478,4	140	1,8	6,08	HR081	132M/132SB	2	3540
477,3	147	3,4	2,03	HR101	160M	6	4564
467,0	144	3,3	6,23	HR101	132M/132SB	2	4603

7,50 kW

n ₂ [rpm]	M ₂ [Nm]	f _s	i	Gear reducer	Motor		Fr ₂ [N]
					Size	Pole	
446,2	156	2,0	3,25	HR081	132MA/132M	4	3596
443,1	157	3,9	3,27	HR101	132MA/132M	4	4669
393,7	169	2,4	7,39	H062	132M/132SB	2	8384
393,5	169	3,6	7,39	H082	132M/132SB	2	10602
391,9	177	3,4	3,70	HR101	132MA/132M	4	4842
390,9	180	3,4	2,48	HR101	160M	6	4843
389,6	178	1,8	3,72	HR081	132MA/132M	4	3728
388,0	173	1,5	7,50	HR081	132M/132SB	2	3745
385,7	174	2,8	7,55	HR101	132M/132SB	2	4874
362,8	183	3,3	8,02	H082	132M/132SB	2	10846
362,5	192	1,7	4,00	HR081	132MA/132M	4	3798
346,4	194	2,5	8,40	HR101	132M/132SB	2	5000
344,6	195	1,3	8,44	HR081	132M/132SB	2	3863
343,4	202	3,0	4,22	HR101	132MA/132M	4	5000
342,4	194	2,3	8,50	H062	132M/132SB	2	8679
328,8	202	3,3	8,85	H082	132M/132SB	2	11145
310,7	224	1,4	4,67	HR081	132MA/132M	4	3950
310,1	214	2,1	9,39	H062	132M/132SB	2	8888
308,6	227	3,9	3,14	HR121	160M	6	6000
302,1	230	3,8	4,80	HR121	132MA/132M	4	6000
297,4	234	2,7	4,88	HR101	132MA/132M	4	5000
296,4	237	2,7	3,27	HR101	160M	6	5000
278,1	250	3,5	5,21	HR121	132MA/132M	4	6000
275,3	252	2,5	5,27	HR101	132MA/132M	4	5000
271,0	259	3,4	3,58	HR121	160M	6	6000
269,8	255	2,0	5,38	H062	132MA/132M	4	9126
269,1	256	2,7	5,39	H082	132MA/132M	4	11725
264,4	251	3,3	11,01	H082	132M/132SB	2	11821
262,2	268	2,4	3,70	HR101	160M	6	5000
261,8	265	1,2	5,54	HR081	132MA/132M	4	4000
249,0	266	1,8	11,69	H062	132M/132SB	2	9343
244,3	281	2,0	5,93	H062	132MA/132M	4	9324
243,9	282	2,5	5,95	H082	132MA/132M	4	12030
238,4	291	1,2	6,08	HR081	132MA/132M	4	4000
235,6	298	3,0	4,12	HR121	160M	6	6000
232,7	299	2,1	6,23	HR101	132MA/132M	4	5000
232,0	299	3,0	6,25	HR121	132MA/132M	4	6000
229,7	289	1,8	12,67	H062	132M/132SB	2	9506
229,7	305	2,1	4,22	HR101	160M	6	5000
215,6	308	3,4	13,50	H082	132M/132SB	2	12465
202,1	347	2,6	4,80	HR121	160M	6	6000
199,0	353	1,8	4,88	HR101	160M	6	5000

7,50 kW

n ₂ [rpm]	M ₂ [Nm]	f _s	i	Gear reducer	Motor		Fr ₂ [N]
					Size	Pole	
197,3	336	1,6	14,75	H062	132M/132SB	2	9806
196,2	350	1,6	7,39	H062	132MA/132M	4	9745
196,1	351	2,3	7,39	H082	132MA/132M	4	12709
195,4	340	3,3	14,90	H082	132M/132SB	2	12777
193,3	359	1,0	7,50	HR081	132MA/132M	4	4000
192,2	362	1,8	7,55	HR101	132MA/132M	4	5000
188,3	369	2,7	7,70	HR121	132MA/132M	4	6000
186,0	377	2,4	5,21	HR121	160M	6	6000
184,2	381	1,7	5,27	HR101	160M	6	5000
180,8	380	2,1	8,02	H082	132MA/132M	4	12963
180,0	386	1,9	5,39	H082	160M	6	12958
178,7	371	1,6	16,29	H062	132M/132SB	2	9993
175,1	379	3,0	16,62	H082	132M/132SB	2	13124
172,6	402	1,6	8,40	HR101	132MA/132M	4	5000
170,6	403	1,5	8,50	H062	132MA/132M	4	9995
164,7	403	1,5	17,67	H062	132M/132SB	2	10140
163,8	420	2,1	8,85	H082	132MA/132M	4	13268
163,1	426	1,7	5,95	H082	160M	6	13262
157,1	422	2,7	18,53	H082	132M/132SB	2	13468
155,7	451	1,5	6,23	HR101	160M	6	5000
155,2	452	2,1	6,25	HR121	160M	6	6000
154,5	445	1,3	9,39	H062	132MA/132M	4	10161
150,1	442	2,7	19,38	H082	132M/132SB	2	13610
143,5	462	1,4	20,28	H062	132M/132SB	2	10375
136,1	488	2,5	21,39	H082	132M/132SB	2	13917
131,7	522	2,1	11,01	H082	132MA/132M	4	13933
131,2	529	1,6	7,39	H082	160M	6	13922
128,6	546	1,3	7,55	HR101	160M	6	5000
127,6	520	2,3	22,80	H082	132M/132SB	2	14114
126,0	557	1,9	7,70	HR121	160M	6	6000
125,0	531	1,2	23,27	H062	132M/132SB	2	10584
124,1	554	1,2	11,69	H062	132MA/132M	4	10482
120,9	574	1,5	8,02	H082	160M	6	14162
115,5	608	1,1	8,40	HR101	160M	6	5000
114,5	601	1,2	12,67	H062	132MA/132M	4	10581
109,6	634	1,5	8,85	H082	160M	6	14444
109,4	607	2,0	26,60	H082	132M/132SB	2	14579
107,4	640	2,2	13,50	H082	132MA/132M	4	14530
104,4	636	1,9	27,88	H082	132M/132SB	2	14716
101,3	655	3,8	28,73	H102	132M/132SB	2	21346
98,3	699	1,0	14,75	H062	132MA/132M	4	10731
97,3	706	2,1	14,90	H082	132MA/132M	4	14804

7,50 kW

n ₂ [rpm]	M ₂ [Nm]	f _s	i	Gear reducer	Motor		Fr ₂ [N]
					Size	Pole	
94,7	700	3,4	30,72	H102	132M/132SB	2	21707
93,4	710	1,7	31,15	H082	132M/132SB	2	15033
89,0	772	1,0	16,29	H062	132MA/132M	4	10798
88,1	788	1,5	11,01	H082	160M	6	15032
87,5	794	4,0	11,09	H102	160M	6	22000
87,3	788	1,9	16,62	H082	132MA/132M	4	15093
85,1	780	3,1	34,20	H102	132M/132SB	2	22000
84,7	784	1,5	34,38	H082	132M/132SB	2	15300
82,1	838	1,0	17,67	H062	132MA/132M	4	10833
81,2	847	3,8	17,85	H102	132MA/132M	4	22000
78,3	878	1,7	18,53	H082	132MA/132M	4	15362
75,7	877	2,4	38,45	H102	132M/132SB	2	22000
75,2	883	1,4	38,70	H082	132M/132SB	2	15602
74,8	919	1,7	19,38	H082	132MA/132M	4	15468
73,1	941	3,4	19,85	H102	132MA/132M	4	22000
72,8	954	3,4	13,32	H102	160M	6	22000
71,9	967	1,5	13,50	H082	160M	6	15514
70,5	942	2,6	41,30	H102	132M/132SB	2	22000
68,1	975	1,2	42,75	H082	132M/132SB	2	15835
67,8	1014	1,6	21,39	H082	132MA/132M	4	15682
67,6	1017	3,1	21,44	H102	132MA/132M	4	22000
65,1	1066	1,5	14,90	H082	160M	6	15715
63,6	1081	1,5	22,80	H082	132MA/132M	4	15809
63,5	1045	2,4	45,82	H102	132M/132SB	2	22000
60,5	1098	1,1	48,13	H082	132M/132SB	2	16084
60,5	1137	2,9	23,97	H102	132MA/132M	4	22000
60,3	1152	2,9	16,09	H102	160M	6	22000
58,4	1190	1,3	16,62	H082	160M	6	15908
56,5	1175	2,1	51,52	H102	132M/132SB	2	22000
56,0	1228	2,7	25,89	H102	132MA/132M	4	22000
54,5	1261	1,3	26,60	H082	132MA/132M	4	16068
54,3	1278	2,6	17,85	H102	160M	6	22000
52,7	1304	3,8	27,49	H122	132MA/132M	4	30000
52,5	1239	2,1	55,47	H103	132M/132SB	2	22000
52,4	1326	1,2	18,53	H082	160M	6	16063
52,0	1322	1,2	27,88	H082	132MA/132M	4	16132
50,5	1362	2,4	28,73	H102	132MA/132M	4	22000
50,2	1383	3,8	19,32	H122	160M	6	30000
50,0	1388	1,2	19,38	H082	160M	6	16115
48,9	1421	2,4	19,85	H102	160M	6	22000
48,6	1416	3,5	29,86	H122	132MA/132M	4	30000
47,2	1457	2,2	30,72	H102	132MA/132M	4	22000

7,50 kW

n ₂ [rpm]	M ₂ [Nm]	f _s	i	Gear reducer	Motor		Fr ₂ [N]
					Size	Pole	
47,2	1473	3,6	20,57	H122	160M	6	30000
46,5	1477	1,1	31,15	H082	132MA/132M	4	16249
45,4	1531	1,1	21,39	H082	160M	6	16200
45,2	1535	2,2	21,44	H102	160M	6	22000
43,9	1565	3,2	33,00	H122	132MA/132M	4	30000
43,1	1613	3,3	22,52	H122	160M	6	30000
42,5	1632	1,0	22,80	H082	160M	6	16233
42,4	1622	2,0	34,20	H102	132MA/132M	4	22000
42,2	1630	1,0	34,38	H082	132MA/132M	4	16310
41,8	1556	1,7	69,69	H103	132M/132SB	2	22000
40,5	1716	2,0	23,97	H102	160M	6	22000
40,1	1713	2,9	36,13	H122	132MA/132M	4	30000
39,6	1752	3,0	24,47	H122	160M	6	30000
37,7	1823	1,5	38,45	H102	132MA/132M	4	22000
37,5	1854	1,9	25,89	H102	160M	6	22000
36,5	1782	1,5	79,82	H103	132M/132SB	2	22000
35,3	1968	2,7	27,49	H122	160M	6	30000
35,1	1958	1,7	41,30	H102	132MA/132M	4	22000
34,6	1879	1,4	84,16	H103	132M/132SB	2	22000
33,8	2057	1,7	28,73	H102	160M	6	22000
32,9	2091	2,4	44,10	H122	132MA/132M	4	30000
32,5	2138	2,5	29,86	H122	160M	6	30000
31,7	2125	2,4	45,77	H123	132MA/132M	4	30000
31,6	2199	1,5	30,72	H102	160M	6	22000
31,6	2173	1,5	45,82	H102	132MA/132M	4	22000
31,2	2085	1,3	93,36	H103	132M/132SB	2	22000
30,1	2308	3,6	32,24	H142	160M	6	55000
29,4	2363	2,2	33,00	H122	160M	6	30000
29,1	2234	1,2	100,07	H103	132M/132SB	2	22000
28,4	2449	1,4	34,20	H102	160M	6	22000
28,1	2443	1,4	51,52	H102	132MA/132M	4	22000
27,1	2485	3,2	53,53	H143	132MA/132M	4	55000
26,8	2587	2,0	36,13	H122	160M	6	30000
26,1	2576	1,4	55,47	H103	132MA/132M	4	22000
26,0	2594	1,9	55,87	H123	132MA/132M	4	30000
25,0	2781	3,0	38,85	H142	160M	6	55000
24,5	2750	2,9	59,22	H143	132MA/132M	4	55000
23,5	2957	1,2	41,30	H102	160M	6	22000
23,0	2925	2,7	62,99	H143	132MA/132M	4	55000
22,5	3083	2,7	43,05	H142	160M	6	55000
22,0	3157	1,7	44,10	H122	160M	6	30000
21,5	3126	1,6	67,32	H123	132MA/132M	4	30000

5.1 H/HA GEARED MOTORS (50Hz)

7,50 kW

n2 [rpm]	M2 [Nm]	fs	i	Gear reducer	Motor Size	Pole	Fr2 [N]
21,2	3280	1,1	45,82	H102	160M	6	22000
21,2	3209	1,6	45,77	H123	160M	6	30000
20,8	3236	1,1	69,69	H103	132MA/132M	4	22000
20,3	3313	2,4	71,35	H143	132MA/132M	4	55000
20,1	3389	2,5	48,35	H143	160M	6	55000
19,7	3423	1,5	73,71	H123	132MA/132M	4	30000
18,3	3672	2,2	79,07	H143	132MA/132M	4	55000
18,2	3706	0,9	79,82	H103	132MA/132M	4	22000
18,1	3752	2,2	53,53	H143	160M	6	55000
17,5	3889	0,9	55,47	H103	160M	6	22000
17,4	3917	1,3	55,87	H123	160M	6	30000
17,4	3869	1,3	83,34	H123	132MA/132M	4	30000
17,3	3881	0,9	84,16	H103	132MA/132M	4	22000
16,8	4013	2,0	86,43	H143	132MA/132M	4	55000
16,4	4151	2,0	59,22	H143	160M	6	55000
16,1	4178	1,2	89,97	H123	132MA/132M	4	30000
15,4	4416	1,9	62,99	H143	160M	6	55000
15,1	4467	1,8	96,21	H143	132MA/132M	4	55000
14,5	4657	1,1	100,29	H123	132MA/132M	4	30000
14,4	4720	1,1	67,32	H123	160M	6	30000
13,9	4853	1,6	104,51	H143	132MA/132M	4	55000
13,6	5002	1,7	71,35	H143	160M	6	55000
13,4	5031	1,0	108,34	H123	132MA/132M	4	30000
13,2	5167	1,0	73,71	H123	160M	6	30000
12,5	5382	1,5	115,92	H143	132MA/132M	4	55000
12,3	5543	1,5	79,07	H143	160M	6	55000
12,2	5508	0,9	118,62	H123	132MA/132M	4	30000
11,3	5965	1,3	128,47	H143	132MA/132M	4	55000
11,2	6059	1,4	86,43	H143	160M	6	55000
10,4	6480	1,2	139,55	H143	132MA/132M	4	55000
10,1	6744	1,2	96,21	H143	160M	6	55000
9,4	7166	1,1	154,33	H143	132MA/132M	4	55000
9,3	7327	1,1	104,51	H143	160M	6	55000
8,4	8126	1,0	115,92	H143	160M	6	55000
7,8	8634	0,9	185,96	H143	132MA/132M	4	55000
7,6	9006	0,9	128,47	H143	160M	6	55000

9,20 kW

n2 [rpm]	M2 [Nm]	fs	i	Gear reducer	Motor Size	Pole	Fr2 [N]
1507,0	55	3,4	1,93	HR081	132M/132MA	2	2511
1144,9	72	3,1	2,54	HR081	132M/132MA	2	2724

9,20 kW

n ₂ [rpm]	M ₂ [Nm]	f _s	i	Gear reducer	Motor		Fr ₂ [N]
					Size	Pole	
1125,4	76	2,9	1,30	HR081	132MB	4	2732
1015,0	84	2,9	1,43	HR081	132MB	4	2815
895,4	92	2,6	3,25	HR081	132M/132MA	2	2925
781,8	105	2,3	3,72	HR081	132M/132MA	2	3039
756,1	113	2,2	1,93	HR081	132MB	4	3060
727,5	113	2,1	4,00	HR081	132M/132MA	2	3101
693,9	119	3,9	4,22	HR101	132M/132MA	2	4049
623,6	132	1,8	4,67	HR081	132M/132MA	2	3236
596,9	138	3,4	4,88	HR101	132M/132MA	2	4237
584,3	146	3,9	2,48	HR101	132MB	4	4257
570,5	149	2,0	2,54	HR081	132MB	4	3304
552,5	149	3,1	5,27	HR101	132M/132MA	2	4336
541,4	150	2,5	5,38	H062	132M/132MA	2	7556
540,0	151	3,5	5,39	H082	132M/132MA	2	9556
525,4	157	1,6	5,54	HR081	132M/132MA	2	3388
490,3	166	2,5	5,93	H062	132M/132MA	2	7745
489,4	166	3,2	5,95	H082	132M/132MA	2	9823
478,4	172	1,5	6,08	HR081	132M/132MA	2	3473
467,0	176	2,7	6,23	HR101	132M/132MA	2	4558
465,6	177	3,8	6,25	HR121	132M/132MA	2	5843
446,2	191	1,6	3,25	HR081	132MB	4	3521
443,1	192	3,2	3,27	HR101	132MB	4	4619
393,7	207	2,0	7,39	H062	132M/132MA	2	8162
393,5	207	2,9	7,39	H082	132M/132MA	2	10428
391,9	217	2,8	3,70	HR101	132MB	4	4786
389,6	219	1,5	3,72	HR081	132MB	4	3643
388,0	212	1,2	7,50	HR081	132M/132MA	2	3662
385,7	213	2,3	7,55	HR101	132M/132MA	2	4819
377,9	218	3,4	7,70	HR121	132M/132MA	2	6000
362,8	224	2,7	8,02	H082	132M/132MA	2	10657
362,5	235	1,4	4,00	HR081	132MB	4	3707
352,1	242	3,5	4,12	HR121	132MB	4	6000
346,4	237	2,1	8,40	HR101	132M/132MA	2	4970
344,6	239	1,1	8,44	HR081	132M/132MA	2	3770
343,4	248	2,5	4,22	HR101	132MB	4	4970
342,4	238	1,9	8,50	H062	132M/132MA	2	8424
328,8	248	2,7	8,85	H082	132M/132MA	2	10936
310,7	274	1,2	4,67	HR081	132MB	4	3843
310,1	263	1,7	9,39	H062	132M/132MA	2	8605
302,1	282	3,1	4,80	HR121	132MB	4	6000
297,4	287	2,2	4,88	HR101	132MB	4	5000
278,1	306	2,9	5,21	HR121	132MB	4	6000

9,20 kW

n2 [rpm]	M2 [Nm]	fs	i	Gear reducer	Motor Size	Pole	Fr2 [N]
275,3	310	2,0	5,27	HR101	132MB	4	5000
269,8	313	1,6	5,38	H062	132MB	4	8789
269,1	313	2,2	5,39	H082	132MB	4	11460
264,4	308	2,7	11,01	H082	132M/132MA	2	11561
261,8	326	1,0	5,54	HR081	132MB	4	3992
249,0	327	1,5	11,69	H062	132M/132MA	2	8991
244,3	345	1,6	5,93	H062	132MB	4	8952
243,9	346	2,0	5,95	H082	132MB	4	11737
238,4	358	1,0	6,08	HR081	132MB	4	4000
232,7	366	1,7	6,23	HR101	132MB	4	5000
232,0	367	2,5	6,25	HR121	132MB	4	6000
229,7	354	1,5	12,67	H062	132M/132MA	2	9125
215,6	378	2,8	13,50	H082	132M/132MA	2	12146
197,3	413	1,3	14,75	H062	132M/132MA	2	9362
196,2	430	1,3	7,39	H062	132MB	4	9282
196,1	430	1,9	7,39	H082	132MB	4	12346
195,4	417	2,7	14,90	H082	132M/132MA	2	12425
192,2	443	1,5	7,55	HR101	132MB	4	5000
188,3	453	2,2	7,70	HR121	132MB	4	6000
180,8	467	1,7	8,02	H082	132MB	4	12568
178,7	456	1,3	16,29	H062	132M/132MA	2	9502
175,1	465	2,4	16,62	H082	132M/132MA	2	12731
172,6	494	1,3	8,40	HR101	132MB	4	5000
170,6	494	1,2	8,50	H062	132MB	4	9463
163,8	515	1,7	8,85	H082	132MB	4	12833
157,1	518	2,2	18,53	H082	132M/132MA	2	13030
154,5	546	1,1	9,39	H062	132MB	4	9573
150,1	542	2,2	19,38	H082	132M/132MA	2	13152
136,1	598	2,0	21,39	H082	132M/132MA	2	13412
131,7	640	1,7	11,01	H082	132MB	4	13392
127,6	638	1,9	22,80	H082	132M/132MA	2	13575
124,1	680	1,0	11,69	H062	132MB	4	9750
121,4	670	3,7	23,97	H102	132M/132MA	2	19905
114,5	737	1,0	12,67	H062	132MB	4	9787
112,4	724	3,4	25,89	H102	132M/132MA	2	20281
109,4	744	1,6	26,60	H082	132M/132MA	2	13950
108,8	775	4,0	13,32	H102	132MB ⁽¹⁾	4	20334
107,4	785	1,8	13,50	H082	132MB	4	13866
104,4	780	1,5	27,88	H082	132M/132MA	2	14057
101,3	804	3,1	28,73	H102	132M/132MA	2	20783
97,3	866	1,7	14,90	H082	132MB	4	14071
94,7	859	2,8	30,72	H102	132M/132MA	2	21105

⁽¹⁾ Available only with brake motor (TBS)

9,20 kW

n ₂ [rpm]	M ₂ [Nm]	f _s	i	Gear reducer	Motor		Fr ₂ [N]
					Size	Pole	
93,4	871	1,4	31,15	H082	132M/132MA	2	14296
90,1	936	3,4	16,09	H102	132MB	4	21219
87,3	967	1,6	16,62	H082	132MB	4	14276
85,1	957	2,5	34,20	H102	132M/132MA	2	21614
84,7	961	1,2	34,38	H082	132M/132MA	2	14487
81,2	1038	3,1	17,85	H102	132MB	4	21694
78,3	1078	1,4	18,53	H082	132MB	4	14451
75,7	1076	2,0	38,45	H102	132M/132MA	2	22000
75,2	1083	1,1	38,70	H082	132M/132MA	2	14687
74,8	1128	1,4	19,38	H082	132MB	4	14515
73,1	1155	2,8	19,85	H102	132MB	4	22000
70,5	1155	2,1	41,30	H102	132M/132MA	2	22000
68,1	1196	1,0	42,75	H082	132M/132MA	2	14825
67,8	1244	1,3	21,39	H082	132MB	4	14631
67,6	1247	2,6	21,44	H102	132MB	4	22000
64,4	1310	3,8	22,52	H122	132MB	4	30000
63,6	1326	1,2	22,80	H082	132MB	4	14688
63,5	1282	1,9	45,82	H102	132M/132MA	2	22000
60,5	1394	2,4	23,97	H102	132MB	4	22000
59,3	1423	3,5	24,47	H122	132MB	4	30000
56,5	1441	1,7	51,52	H102	132M/132MA	2	22000
56,0	1506	2,2	25,89	H102	132MB	4	22000
54,5	1547	1,0	26,60	H082	132MB	4	14760
52,7	1599	3,1	27,49	H122	132MB	4	30000
52,5	1519	1,7	55,47	H103	132M/132MA	2	22000
52,0	1622	1,0	27,88	H082	132MB	4	14761
50,5	1671	2,0	28,73	H102	132MB	4	22000
48,6	1737	2,9	29,86	H122	132MB	4	30000
47,2	1787	1,8	30,72	H102	132MB	4	22000
43,9	1920	2,6	33,00	H122	132MB	4	30000
42,4	1989	1,6	34,20	H102	132MB	4	22000
41,8	1909	1,4	69,69	H103	132M/132MA	2	22000
40,1	2102	2,4	36,13	H122	132MB	4	30000
37,7	2237	1,3	38,45	H102	132MB	4	22000
36,5	2186	1,2	79,82	H103	132M/132MA	2	22000
35,1	2402	1,4	41,30	H102	132MB	4	22000
34,6	2305	1,1	84,16	H103	132M/132MA	2	22000
32,9	2565	1,9	44,10	H122	132MB	4	30000
31,7	2607	1,9	45,77	H123	132MB	4	30000
31,6	2665	1,2	45,82	H102	132MB	4	22000
31,2	2557	1,0	93,36	H103	132M/132MA	2	22000
28,1	2997	1,1	51,52	H102	132MB	4	22000

9,20 kW

n2 [rpm]	M2 [Nm]	fs	i	Gear reducer	Motor Size	Pole	Fr2 [N]
27,1	3049	2,6	53,53	H143	132MB	4	55000
26,1	3160	1,1	55,47	H103	132MB	4	22000
26,0	3182	1,6	55,87	H123	132MB	4	30000
24,5	3373	2,4	59,22	H143	132MB	4	55000
23,0	3588	2,2	62,99	H143	132MB	4	55000
21,5	3835	1,3	67,32	H123	132MB	4	30000
20,3	4064	2,0	71,35	H143	132MB	4	55000
19,7	4198	1,2	73,71	H123	132MB	4	30000
18,3	4504	1,8	79,07	H143	132MB	4	55000
17,4	4747	1,1	83,34	H123	132MB	4	30000
16,8	4923	1,6	86,43	H143	132MB	4	55000
16,1	5124	1,0	89,97	H123	132MB	4	30000
15,1	5480	1,5	96,21	H143	132MB	4	55000
13,9	5953	1,3	104,51	H143	132MB	4	55000
12,5	6603	1,2	115,92	H143	132MB	4	55000
11,3	7317	1,1	128,47	H143	132MB	4	55000
10,4	7949	1,0	139,55	H143	132MB	4	55000
9,4	8790	0,9	154,33	H143	132MB	4	55000

11,00 kW

n2 [rpm]	M2 [Nm]	fs	i	Gear reducer	Motor Size	Pole	Fr2 [N]
2243,1	44	3,8	1,30	HR081	132MB ⁽¹⁾	2	2211
2037,0	48	3,7	1,43	HR081	132MB ⁽¹⁾	2	2276
1507,0	65	2,9	1,93	HR081	132MB ⁽¹⁾	2	2489
1144,9	86	2,6	2,54	HR081	132MB ⁽¹⁾	2	2694
1110,0	92	2,4	1,30	HR081	132MC ⁽¹⁾	4	2711
1008,0	101	2,4	1,43	HR081	132MC ⁽¹⁾	4	2786
895,4	110	2,2	3,25	HR081	132MB ⁽¹⁾	2	2887
786,5	125	3,7	3,70	HR101	132MB ⁽¹⁾	2	3870
781,8	126	1,9	3,72	HR081	132MB ⁽¹⁾	2	2996
750,4	137	3,4	1,29	HR101	160L	6	3916
745,7	137	1,8	1,93	HR081	132MC ⁽¹⁾	4	3024
727,5	135	1,8	4,00	HR081	132MB ⁽¹⁾	2	3055
708,6	144	3,3	2,03	HR101	132MC/160MA/160S	4	3985
689,2	143	3,2	4,22	HR101	132MB ⁽¹⁾	2	4025
687,8	150	3,4	1,41	HR101	160L	6	4019
623,6	158	1,5	4,67	HR081	132MB ⁽¹⁾	2	3181
596,9	165	2,8	4,88	HR101	132MB ⁽¹⁾	2	4200
580,3	176	3,3	2,48	HR101	132MC/160MA/160S	4	4226
566,6	180	1,6	2,54	HR081	132MC ⁽¹⁾	4	3247
558,1	176	3,7	5,21	HR121	132MB ⁽¹⁾	2	5494

⁽¹⁾ Available only with brake motor (TBS)

11,00 kW

n2 [rpm]	M2 [Nm]	fs	i	Gear reducer	Motor Size	Pole	Fr2 [N]
552,5	178	2,6	5,27	HR101	132MB ⁽¹⁾	2	4296
541,4	180	2,1	5,38	H062	132MB ⁽¹⁾	2	7385
540,0	180	2,9	5,39	H082	132MB ⁽¹⁾	2	9422
525,4	187	1,3	5,54	HR081	132MB ⁽¹⁾	2	3323
490,3	198	2,1	5,93	H062	132MB ⁽¹⁾	2	7556
489,4	199	2,6	5,95	H082	132MB ⁽¹⁾	2	9674
487,4	209	3,9	2,95	HR121	132MC/160S	4	5720
485,0	212	3,9	2,00	HR121	160L	6	5727
478,4	206	1,2	6,08	HR081	132MB ⁽¹⁾	2	3402
477,3	216	2,3	2,03	HR101	160L	6	4469
467,0	211	2,3	6,23	HR101	132MB ⁽¹⁾	2	4510
465,6	211	3,2	6,25	HR121	132MB ⁽¹⁾	2	5808
458,2	222	3,8	3,14	HR121	132MC/160MA/160S	4	5829
443,1	230	1,4	3,25	HR081	132MC ⁽¹⁾	4	3448
440,0	232	2,6	3,27	HR101	132MC/160MA/160S	4	4576
402,4	253	3,4	3,58	HR121	132MC/160MA/160S	4	6000
393,5	247	2,4	7,39	H082	132MB ⁽¹⁾	2	10242
391,1	263	3,3	2,48	HR121	160L	6	6000
390,9	263	2,3	2,48	HR101	160L	6	4727
389,2	262	2,3	3,70	HR101	132MC/160MA/160S	4	4737
386,9	263	1,2	3,72	HR081	132MC ⁽¹⁾	4	3558
385,7	255	1,9	7,55	HR101	132MB ⁽¹⁾	2	4761
377,9	260	2,9	7,70	HR121	132MB ⁽¹⁾	2	6000
362,8	268	2,2	8,02	H082	132MB ⁽¹⁾	2	10456
360,0	283	1,1	4,00	HR081	132MC ⁽¹⁾	4	3615
349,7	291	2,9	4,12	HR121	132MC/160MA/160S	4	6000
346,4	284	1,7	8,40	HR101	132MB ⁽¹⁾	2	4906
342,4	284	1,6	8,50	H062	132MB ⁽¹⁾	2	8152
341,1	299	2,0	4,22	HR101	132MC/160MA/160S	4	4912
328,8	296	2,3	8,85	H082	132MB ⁽¹⁾	2	10715
328,3	313	2,7	2,95	HR121	160L	6	6000
310,1	314	1,4	9,39	H062	132MB ⁽¹⁾	2	8306
308,6	330	1,0	4,67	HR081	132MC ⁽¹⁾	4	3735
308,6	333	2,6	3,14	HR121	160L	6	6000
300,0	340	2,6	4,80	HR121	132MC/160MA/160S	4	6000
296,4	347	1,8	3,27	HR101	160L	6	5000
295,4	345	1,8	4,88	HR101	132MC/160MA/160S	4	5000
276,2	369	2,4	5,21	HR121	132MC/160MA/160S	4	6000
273,4	373	1,7	5,27	HR101	132MC/160MA/160S	4	5000
271,0	380	2,4	3,58	HR121	160L	6	6000
267,9	376	1,3	5,38	H062	132MC ⁽¹⁾	4	8442
267,2	377	1,9	5,39	H082	132MC/160MA/160S	4	11197

⁽¹⁾ Available only with brake motor (TBS)

11,00 kW

n ₂ [rpm]	M ₂ [Nm]	f _s	i	Gear reducer	Motor		Fr ₂ [N]
					Size	Pole	
264,4	368	2,2	11,01	H082	132MB ⁽¹⁾	2	11285
262,2	393	1,6	3,70	HR101	160L	6	5000
242,6	416	1,3	5,93	H062	132MC ⁽¹⁾	4	8567
242,2	416	1,7	5,95	H082	132MC/160MA/160S	4	11445
235,6	437	2,0	4,12	HR121	160L	6	6000
231,1	441	1,5	6,23	HR101	132MC/160MA/160S	4	5000
230,4	442	2,0	6,25	HR121	132MC/160MA/160S	4	6000
229,7	448	1,4	4,22	HR101	160L	6	5000
215,6	451	2,3	13,50	H082	132MB ⁽¹⁾	2	11808
202,1	509	1,8	4,80	HR121	160L	6	6000
199,0	517	1,3	4,88	HR101	160L	6	5000
195,4	498	2,3	14,90	H082	132MB ⁽¹⁾	2	12052
194,8	518	1,1	7,39	H062	132MC ⁽¹⁾	4	8798
194,7	518	1,5	7,39	H082	132MC/160MA/160S	4	11977
190,8	534	1,2	7,55	HR101	132MC/160MA/160S	4	5000
187,0	545	1,8	7,70	HR121	132MC/160MA/160S	4	6000
186,0	553	1,7	5,21	HR121	160L	6	6000
184,3	553	3,4	5,26	H102	160L	6	17463
184,2	559	1,2	5,27	HR101	160L	6	5000
180,0	566	1,3	5,39	H082	160L	6	12135
179,5	562	1,4	8,02	H082	132MC/160MA/160S	4	12167
175,1	556	2,0	16,62	H082	132MB ⁽¹⁾	2	12315
171,4	594	1,1	8,40	HR101	132MC/160MA/160S	4	5000
169,4	595	1,0	8,50	H062	132MC ⁽¹⁾	4	8904
163,1	624	1,2	5,95	H082	160L	6	12353
162,7	620	1,5	8,85	H082	132MC/160MA/160S	4	12387
157,1	620	1,8	18,53	H082	132MB ⁽¹⁾	2	12566
155,7	661	1,0	6,23	HR101	160L	6	5000
155,2	663	1,4	6,25	HR121	160L	6	6000
153,4	657	0,9	9,39	H062	132MC ⁽¹⁾	4	8953
152,6	667	3,1	6,36	H102	160L	6	18285
150,1	648	1,9	19,38	H082	132MB ⁽¹⁾	2	12667
146,6	664	3,6	19,85	H102	132MB ⁽¹⁾	2	18576
137,6	740	3,3	7,05	H102	160L	6	18733
136,1	715	1,7	21,39	H082	132MB ⁽¹⁾	2	12876
135,7	717	3,3	21,44	H102	132MB ⁽¹⁾	2	18918
131,2	776	1,1	7,39	H082	160L	6	12792
130,8	771	1,4	11,01	H082	132MC/160MA/160S	4	12832
129,9	776	3,9	11,09	H102	132MC/160MA/160S	4	19008
127,6	762	1,6	22,80	H082	132MB ⁽¹⁾	2	13005
126,0	817	1,3	7,70	HR121	160L	6	6000
121,4	802	3,1	23,97	H102	132MB ⁽¹⁾	2	19408

⁽¹⁾ Available only with brake motor (TBS)

11,00 kW

n ₂ [rpm]	M ₂ [Nm]	f _s	i	Gear reducer	Motor		Fr ₂ [N]
					Size	Pole	
120,9	842	1,0	8,02	H082	160L	6	12936
117,2	869	3,0	8,27	H102	160L	6	19414
112,4	866	2,9	25,89	H102	132MB ⁽¹⁾	2	19744
109,6	929	1,0	8,85	H082	160L	6	13092
109,4	890	1,3	26,60	H082	132MB ⁽¹⁾	2	13284
108,1	933	3,3	13,32	H102	132MC/160MA/160S	4	19788
106,7	945	1,5	13,50	H082	132MC/160MA/160S	4	13174
104,4	932	1,3	27,88	H082	132MB ⁽¹⁾	2	13360
101,3	961	2,6	28,73	H102	132MB ⁽¹⁾	2	20187
97,1	1049	2,8	9,99	H102	160L	6	20189
96,7	1043	1,4	14,90	H082	132MC/160MA/160S	4	13304
94,7	1027	2,3	30,72	H102	132MB ⁽¹⁾	2	20468
93,8	1086	3,9	10,35	H122	160L	6	30000
93,4	1042	1,2	31,15	H082	132MB ⁽¹⁾	2	13516
89,5	1127	2,8	16,09	H102	132MC/160MA/160S	4	20552
88,1	1156	1,0	11,01	H082	160L	6	13350
87,5	1164	2,7	11,09	H102	160L	6	20596
86,7	1164	1,3	16,62	H082	132MC/160MA/160S	4	13417
85,1	1144	2,1	34,20	H102	132MB ⁽¹⁾	2	20905
84,7	1150	1,0	34,38	H082	132MB ⁽¹⁾	2	13627
80,7	1250	2,6	17,85	H102	132MC/160MA/160S	4	20950
77,7	1297	1,2	18,53	H082	132MC/160MA/160S	4	13490
76,6	1330	3,5	12,66	H122	160L	6	30000
75,7	1286	1,6	38,45	H102	132MB ⁽¹⁾	2	21361
74,5	1353	3,7	19,32	H122	132MC/160MA/160S	4	30000
74,3	1358	1,2	19,38	H082	132MC/160MA/160S	4	13508
72,8	1399	2,3	13,32	H102	160L	6	21270
72,6	1390	2,3	19,85	H102	132MC/160MA/160S	4	21334
71,9	1418	1,0	13,50	H082	160L	6	13451
70,5	1381	1,8	41,30	H102	132MB ⁽¹⁾	2	21626
70,0	1456	3,3	13,86	H122	160L	6	30000
70,0	1441	3,5	20,57	H122	132MC/160MA/160S	4	30000
67,3	1498	1,1	21,39	H082	132MC/160MA/160S	4	13517
67,2	1502	2,1	21,44	H102	132MC/160MA/160S	4	21598
65,1	1564	1,0	14,90	H082	160L	6	13439
63,9	1577	3,2	22,52	H122	132MC/160MA/160S	4	30000
63,5	1532	1,6	45,82	H102	132MB ⁽¹⁾	2	21989
63,2	1597	1,0	22,80	H082	132MC/160MA/160S	4	13499
60,3	1690	2,0	16,09	H102	160L	6	21876
60,1	1679	2,0	23,97	H102	132MC/160MA/160S	4	21949
58,9	1714	2,9	24,47	H122	132MC/160MA/160S	4	30000
58,4	1745	0,9	16,62	H082	160L	6	13369

⁽¹⁾ Available only with brake motor (TBS)

11,00 kW

n2 [rpm]	M2 [Nm]	fs	i	Gear reducer	Motor		Fr2 [N]
					Size	Pole	
57,3	1777	2,8	16,92	H122	160L	6	30000
56,5	1723	1,4	51,52	H102	132MB ⁽¹⁾	2	22000
55,6	1813	1,8	25,89	H102	132MC/160MA/160S	4	22000
54,3	1874	1,8	17,85	H102	160L	6	22000
52,5	1817	1,4	55,47	H103	132MB ⁽¹⁾	2	22000
52,4	1925	2,6	27,49	H122	132MC/160MA/160S	4	30000
50,2	2029	2,6	19,32	H122	160L	6	30000
50,1	2012	1,6	28,73	H102	132MC/160MA/160S	4	22000
48,9	2084	1,6	19,85	H102	160L	6	22000
48,4	2105	4,0	20,04	H142	160L	6	51787
48,2	2091	2,4	29,86	H122	132MC/160MA/160S	4	30000
47,2	2160	2,4	20,57	H122	160L	6	30000
46,9	2151	1,5	30,72	H102	132MC/160MA/160S	4	22000
45,2	2252	1,5	21,44	H102	160L	6	22000
44,7	2258	3,5	32,24	H142	160MA/160S	4	52888
43,6	2311	2,2	33,00	H122	132MC/160MA/160S	4	30000
43,1	2365	2,2	22,52	H122	160L	6	30000
42,1	2395	1,3	34,20	H102	132MC/160MA/160S	4	22000
41,8	2282	1,2	69,69	H103	132MB ⁽¹⁾	2	22000
40,5	2517	1,4	23,97	H102	160L	6	22000
40,2	2536	3,3	24,15	H142	160L	6	54182
39,9	2530	2,0	36,13	H122	132MC/160MA/160S	4	30000
39,6	2569	2,0	24,47	H122	160L	6	30000
37,5	2719	1,3	25,89	H102	160L	6	22000
37,4	2693	1,0	38,45	H102	132MC ⁽¹⁾	4	22000
37,1	2721	2,9	38,85	H142	160MA/160S	4	55000
36,5	2614	1,0	79,82	H103	132MB ⁽¹⁾	2	22000
36,2	2810	3,0	26,76	H142	160L	6	55000
35,3	2887	1,8	27,49	H122	160L	6	30000
34,9	2892	1,1	41,30	H102	132MC/160MA/160S	4	22000
33,8	3017	1,1	28,73	H102	160L	6	22000
33,4	3015	2,7	43,05	H142	160MA/160S	4	55000
32,7	3088	1,6	44,10	H122	132MC/160MA/160S	4	30000
32,5	3136	1,7	29,86	H122	160L	6	30000
31,6	3226	1,0	30,72	H102	160L	6	22000
31,5	3139	1,6	45,77	H123	132MC/160MA/160S	4	30000
31,4	3209	1,0	45,82	H102	132MC/160MA/160S	4	22000
30,1	3386	2,5	32,24	H142	160L	6	55000
29,8	3315	2,4	48,35	H143	160MA/160S	4	55000
29,4	3465	1,5	33,00	H122	160L	6	30000
28,4	3591	0,9	34,20	H102	160L	6	22000
28,0	3608	0,9	51,52	H102	132MC ⁽¹⁾	4	22000

⁽¹⁾ Available only with brake motor (TBS)

11,00 kW

n2 [rpm]	M2 [Nm]	fs	i	Gear reducer	Motor Size	Pole	Fr2 [N]
26,9	3671	2,2	53,53	H143	132MC/160MA/160S	4	55000
26,8	3794	1,4	36,13	H122	160L	6	30000
26,0	3804	0,9	55,47	H103	132MC/160MA/160S	4	22000
25,8	3831	1,3	55,87	H123	132MC/160MA/160S	4	30000
25,0	4080	2,1	38,85	H142	160L	6	55000
24,3	4061	2,0	59,22	H143	132MC/160MA/160S	4	55000
22,9	4320	1,9	62,99	H143	132MC/160MA/160S	4	55000
22,5	4521	1,9	43,05	H142	160L	6	55000
22,0	4631	1,1	44,10	H122	160L	6	30000
21,4	4617	1,1	67,32	H123	132MC/160MA/160S	4	30000
21,2	4706	1,1	45,77	H123	160L	6	30000
20,2	4893	1,6	71,35	H143	132MC/160MA/160S	4	55000
20,1	4971	1,7	48,35	H143	160L	6	55000
19,5	5055	1,0	73,71	H123	132MC/160MA/160S	4	30000
18,2	5422	1,5	79,07	H143	132MC/160MA/160S	4	55000
18,1	5504	1,5	53,53	H143	160L	6	55000
17,4	5744	0,9	55,87	H123	160L	6	30000
16,7	5927	1,3	86,43	H143	132MC/160MA/160S	4	55000
16,4	6089	1,4	59,22	H143	160L	6	55000
15,4	6477	1,3	62,99	H143	160L	6	55000
15,0	6597	1,2	96,21	H143	132MC/160MA/160S	4	55000
13,8	7167	1,1	104,51	H143	132MC/160MA/160S	4	55000
13,6	7336	1,1	71,35	H143	160L	6	55000
12,4	7949	1,0	115,92	H143	132MC/160MA/160S	4	55000
12,3	8130	1,0	79,07	H143	160L	6	55000
11,2	8887	0,9	86,43	H143	160L	6	55000
11,2	8809	0,9	128,47	H143	132MC/160MA/160S	4	55000

15,00 kW

n2 [rpm]	M2 [Nm]	fs	i	Gear reducer	Motor Size	Pole	Fr2 [N]
1141,0	122	3,6	1,29	HR101	160LA	4	3407
1045,9	133	3,6	1,41	HR101	160LA	4	3496
758,1	185	2,5	1,29	HR101	180L ⁽²⁾	6	3836
725,8	191	2,5	2,03	HR101	160LA	4	3886
694,9	202	2,5	1,41	HR101	180L ⁽²⁾	6	3932
691,8	203	3,8	1,42	HR121	180L ⁽²⁾	6	5079
594,8	234	3,5	2,48	HR121	160LA	4	5318
594,4	234	2,5	2,48	HR101	160LA	4	4110
542,5	259	3,0	1,81	HR121	180L ⁽²⁾	6	5464
499,2	278	2,9	2,95	HR121	160LA	4	5604
490,0	286	2,9	2,00	HR121	180L ⁽²⁾	6	5632

⁽²⁾ With TBS brake motor, please contact our Technical Sales Support

15,00 kW

n2 [rpm]	M2 [Nm]	fs	i	Gear reducer	Motor Size	Pole	Fr2 [N]
482,2	291	1,7	2,03	HR101	180L ⁽²⁾	6	4348
469,3	296	2,8	3,14	HR121	160LA	4	5707
450,7	308	2,0	3,27	HR101	160LA	4	4431
412,1	337	2,5	3,58	HR121	160LA	4	5929
398,6	349	1,8	3,70	HR101	160LA	4	4576
395,2	355	2,4	2,48	HR121	180L ⁽²⁾	6	5998
394,9	355	1,7	2,48	HR101	180L ⁽²⁾	6	4582
358,2	388	2,2	4,12	HR121	160LA	4	6000
349,3	398	1,5	4,22	HR101	160LA	4	4733
331,7	423	2,0	2,95	HR121	180L ⁽²⁾	6	6000
311,8	450	2,0	3,14	HR121	180L ⁽²⁾	6	6000
307,3	452	1,9	4,80	HR121	160LA	4	6000
302,6	459	1,4	4,88	HR101	160LA	4	4904
299,4	469	1,4	3,27	HR101	180L ⁽²⁾	6	4910
282,9	491	1,8	5,21	HR121	160LA	4	6000
280,3	491	3,7	5,26	H102	160LA	4	15172
280,1	496	1,2	5,27	HR101	160LA	4	4996
273,8	513	1,7	3,58	HR121	180L ⁽²⁾	6	6000
273,7	502	1,4	5,39	H082	160LA	4	10523
264,9	530	1,2	3,70	HR101	180L ⁽²⁾	6	5000
248,1	554	1,3	5,95	H082	160LA	4	10709
238,0	590	1,5	4,12	HR121	180L ⁽²⁾	6	6000
236,7	587	1,1	6,23	HR101	160LA	4	5000
236,0	589	1,5	6,25	HR121	160LA	4	6000
232,1	593	3,4	6,36	H102	160LA	4	15880
232,1	605	1,1	4,22	HR101	180L ⁽²⁾	6	5000
209,2	657	3,5	7,05	H102	160LA	4	16266
204,2	687	1,3	4,80	HR121	180L ⁽²⁾	6	6000
201,0	698	0,9	4,88	HR101	180L ⁽²⁾	6	5000
199,5	689	1,2	7,39	H082	160LA	4	11079
195,5	711	0,9	7,55	HR101	160LA	4	5000
191,6	725	1,4	7,70	HR121	160LA	4	6000
187,9	747	1,2	5,21	HR121	180L ⁽²⁾	6	6000
186,2	746	2,5	5,26	H102	180L ⁽²⁾	6	16664
183,9	748	1,1	8,02	H082	160LA	4	11199
178,3	771	3,2	8,27	H102	160LA	4	16850
166,7	825	1,1	8,85	H082	160LA	4	11328
156,8	895	1,1	6,25	HR121	180L ⁽²⁾	6	6000
154,2	901	2,3	6,36	H102	180L ⁽²⁾	6	17329
147,6	932	3,0	9,99	H102	160LA	4	17513
139,0	999	2,4	7,05	H102	180L ⁽²⁾	6	17679
139,0	999	3,8	7,05	H122	180L ⁽²⁾	6	27584

⁽²⁾ With TBS brake motor, please contact our Technical Sales Support

15,00 kW

n2 [rpm]	M2 [Nm]	fs	i	Gear reducer	Size	Motor Pole	Fr2 [N]
134,0	1026	1,1	11,01	H082	160LA	4	11535
133,1	1034	2,9	11,09	H102	160LA	4	17860
127,3	1103	1,0	7,70	HR121	180L ⁽²⁾	6	6000
126,6	1097	3,5	7,74	H122	180L ⁽²⁾	6	28236
118,4	1173	2,2	8,27	H102	180L ⁽²⁾	6	18185
116,5	1181	3,7	12,66	H122	160LA	4	28851
115,6	1201	3,3	8,48	H122	180L ⁽²⁾	6	28865
110,7	1242	2,5	13,32	H102	160LA	4	18432
109,3	1259	1,1	13,50	H082	160LA	4	11603
106,4	1293	3,6	13,86	H122	160LA	4	29482
99,0	1389	1,1	14,90	H082	160LA	4	11581
98,1	1416	2,1	9,99	H102	180L ⁽²⁾	6	18716
94,7	1466	2,9	10,35	H122	180L ⁽²⁾	6	30000
91,7	1500	2,1	16,09	H102	160LA	4	18941
88,8	1549	1,0	16,62	H082	160LA	4	11506
88,4	1571	2,0	11,09	H102	180L ⁽²⁾	6	18968
87,2	1578	3,0	16,92	H122	160LA	4	30000
82,6	1664	1,9	17,85	H102	160LA	4	19177
77,4	1795	2,6	12,66	H122	180L ⁽²⁾	6	30000
76,3	1801	2,8	19,32	H122	160LA	4	30000
74,3	1851	1,7	19,85	H102	160LA	4	19379
73,5	1889	1,7	13,32	H102	180L ⁽²⁾	6	19325
71,7	1918	2,6	20,57	H122	160LA	4	30000
70,7	1965	2,5	13,86	H122	180L ⁽²⁾	6	30000
68,8	1999	1,6	21,44	H102	160LA	4	19497
65,5	2100	2,4	22,52	H122	160LA	4	30000
62,2	2232	3,7	15,75	H142	180L ⁽²⁾	6	46783
61,5	2235	1,5	23,97	H102	160LA	4	19617
61,1	2252	3,6	24,15	H142	160LA	4	47054
60,9	2281	1,5	16,09	H102	180L ⁽²⁾	6	19540
60,3	2281	2,2	24,47	H122	160LA	4	30000
57,9	2398	2,1	16,92	H122	180L ⁽²⁾	6	30000
57,0	2414	1,4	25,89	H102	160LA	4	19662
56,1	2474	3,4	17,45	H142	180L ⁽²⁾	6	47904
55,1	2495	3,2	26,76	H142	160LA	4	48180
54,9	2530	1,3	17,85	H102	180L ⁽²⁾	6	19576
53,7	2563	2,0	27,49	H122	160LA	4	30000
51,3	2678	1,2	28,73	H102	160LA	4	19665
50,7	2738	1,9	19,32	H122	180L ⁽²⁾	6	30000
49,4	2813	1,2	19,85	H102	180L ⁽²⁾	6	19542
49,4	2784	1,8	29,86	H122	160LA	4	30000
48,9	2841	3,0	20,04	H142	180L ⁽²⁾	6	49389

(2) With TBS brake motor, please contact our Technical Sales Support

15,00 kW

n2 [rpm]	M2 [Nm]	fs	i	Gear reducer	Size	Motor Pole	Fr2 [N]
48,0	2864	1,1	30,72	H102	160LA	4	19628
47,6	2916	1,8	20,57	H122	180L ⁽²⁾	6	30000
45,7	3039	1,1	21,44	H102	180L ⁽²⁾	6	19466
45,7	3006	2,7	32,24	H142	160LA	4	50180
44,7	3077	1,6	33,00	H122	160LA	4	30000
43,5	3192	1,6	22,52	H122	180L ⁽²⁾	6	30000
43,1	3189	1,0	34,20	H102	160LA	4	19497
40,9	3397	1,0	23,97	H102	180L ⁽²⁾	6	19268
40,8	3369	1,5	36,13	H122	160LA	4	30000
40,6	3423	2,5	24,15	H142	180L ⁽²⁾	6	51320
40,1	3468	1,5	24,47	H122	180L ⁽²⁾	6	30000
38,0	3622	2,2	38,85	H142	160LA	4	52091
37,8	3670	0,9	25,89	H102	180L ⁽²⁾	6	19064
36,6	3793	2,2	26,76	H142	180L ⁽²⁾	6	52335
35,6	3896	1,3	27,49	H122	180L ⁽²⁾	6	30000
34,3	4014	2,0	43,05	H142	160LA	4	53089
33,4	4112	1,2	44,10	H122	160LA	4	30000
32,8	4233	1,2	29,86	H122	180L ⁽²⁾	6	30000
32,2	4179	1,2	45,77	H123	160LA	4	30000
30,5	4414	1,8	48,35	H143	160LA	4	54432
30,4	4570	1,8	32,24	H142	180L ⁽²⁾	6	54049
29,7	4677	1,1	33,00	H122	180L ⁽²⁾	6	30000
27,6	4887	1,6	53,53	H143	160LA	4	55000
27,1	5121	1,0	36,13	H122	180L ⁽²⁾	6	30000
26,4	5100	1,0	55,87	H123	160LA	4	30000
25,2	5506	1,5	38,85	H142	180L ⁽²⁾	6	55000
24,9	5406	1,5	59,22	H143	160LA	4	55000
23,4	5751	1,4	62,99	H143	160LA	4	55000
22,8	6102	1,4	43,05	H142	180L ⁽²⁾	6	55000
20,7	6514	1,2	71,35	H143	160LA	4	55000
20,3	6709	1,3	48,35	H143	180L ⁽²⁾	6	55000
18,7	7219	1,1	79,07	H143	160LA	4	55000
18,3	7428	1,1	53,53	H143	180L ⁽²⁾	6	55000
17,1	7890	1,0	86,43	H143	160LA	4	55000
16,5	8218	1,0	59,22	H143	180L ⁽²⁾	6	55000
15,6	8742	1,0	62,99	H143	180L ⁽²⁾	6	55000
15,3	8783	0,9	96,21	H143	160LA	4	55000

18,50 kW

n2 [rpm]	M2 [Nm]	fs	i	Gear reducer	Size	Motor Pole	Fr2 [N]
1137,2	151	2,9	1,29	HR101	180M ⁽²⁾	4	3371

⁽²⁾ With TBS brake motor, please contact our Technical Sales Support

18,50 kW

n ₂ [rpm]	M ₂ [Nm]	f _s	i	Gear reducer	Motor		Fr ₂ [N]
					Size	Pole	
1042,4	164	2,9	1,41	HR101	180M ⁽²⁾	4	3456
813,8	211	3,5	1,81	HR121	180M ⁽²⁾	4	4796
796,3	217	3,3	1,23	HR121	200LA ⁽²⁾	6	4825
735,0	233	3,3	2,00	HR121	180M ⁽²⁾	4	4944
723,3	237	2,0	2,03	HR101	180M ⁽²⁾	4	3828
691,8	250	3,1	1,42	HR121	200LA ⁽²⁾	6	5031
592,7	289	2,8	2,48	HR121	180M ⁽²⁾	4	5269
592,4	289	2,0	2,48	HR101	180M ⁽²⁾	4	4038
542,5	319	2,4	1,81	HR121	200LA ⁽²⁾	6	5403
497,5	344	2,4	2,95	HR121	180M ⁽²⁾	4	5544
490,0	353	2,3	2,00	HR121	200LA ⁽²⁾	6	5565
467,7	366	2,3	3,14	HR121	180M ⁽²⁾	4	5643
449,2	382	1,6	3,27	HR101	180M ⁽²⁾	4	4335
410,7	417	2,0	3,58	HR121	180M ⁽²⁾	4	5855
397,3	431	1,4	3,70	HR101	180M ⁽²⁾	4	4467
395,2	438	2,0	2,48	HR121	200LA ⁽²⁾	6	5915
357,0	480	1,8	4,12	HR121	180M ⁽²⁾	4	6000
348,2	492	1,2	4,22	HR101	180M ⁽²⁾	4	4608
331,7	522	1,6	2,95	HR121	200LA ⁽²⁾	6	6000
311,8	555	1,6	3,14	HR121	200LA ⁽²⁾	6	6000
306,3	560	1,6	4,80	HR121	180M ⁽²⁾	4	6000
301,5	568	1,1	4,88	HR101	180M ⁽²⁾	4	4759
281,9	608	1,4	5,21	HR121	180M ⁽²⁾	4	6000
279,3	607	3,0	5,26	H102	180M ⁽²⁾	4	14749
279,1	614	1,0	5,27	HR101	180M ⁽²⁾	4	4839
273,8	632	1,4	3,58	HR121	200LA ⁽²⁾	6	6000
238,0	727	1,2	4,12	HR121	200LA ⁽²⁾	6	6000
235,2	729	1,2	6,25	HR121	180M ⁽²⁾	4	6000
231,3	733	2,7	6,36	H102	180M ⁽²⁾	4	15366
208,5	814	2,8	7,05	H102	180M ⁽²⁾	4	15695
204,2	848	1,1	4,80	HR121	200LA ⁽²⁾	6	6000
190,9	898	1,1	7,70	HR121	180M ⁽²⁾	4	6000
185,8	922	3,4	5,27	H122	200LA ⁽²⁾	6	25022
177,7	955	2,6	8,27	H102	180M ⁽²⁾	4	16178
173,4	978	3,9	8,48	H122	180M ⁽²⁾	4	25485
169,7	1009	3,3	5,78	H122	200LA ⁽²⁾	6	25590
147,1	1153	2,4	9,99	H102	180M ⁽²⁾	4	16698
142,1	1194	3,4	10,35	H122	180M ⁽²⁾	4	26737
139,0	1232	3,1	7,05	H122	200LA ⁽²⁾	6	26833
132,6	1279	2,3	11,09	H102	180M ⁽²⁾	4	16954
126,6	1353	2,9	7,74	H122	200LA ⁽²⁾	6	27411
116,1	1461	3,0	12,66	H122	180M ⁽²⁾	4	27985

(2) With TBS brake motor, please contact our Technical Sales Support

18,50 kW

n ₂ [rpm]	M ₂ [Nm]	f _s	i	Gear reducer	Motor		Fr ₂ [N]
					Size	Pole	
115,6	1482	2,7	8,48	H122	200LA ⁽²⁾	6	27962
110,3	1537	2,0	13,32	H102	180M ⁽²⁾	4	17339
106,0	1600	2,9	13,86	H122	180M ⁽²⁾	4	28531
94,7	1808	2,3	10,35	H122	200LA ⁽²⁾	6	29135
91,4	1857	1,7	16,09	H102	180M ⁽²⁾	4	17617
86,9	1952	2,5	16,92	H122	180M ⁽²⁾	4	29684
84,2	2014	3,9	17,45	H142	180M ⁽²⁾	4	42354
82,3	2060	1,6	17,85	H102	180M ⁽²⁾	4	17707
77,4	2213	2,1	12,66	H122	200LA ⁽²⁾	6	30000
76,1	2229	2,2	19,32	H122	180M ⁽²⁾	4	30000
75,0	2285	3,4	13,07	H142	200LA ⁽²⁾	6	43436
74,1	2290	1,4	19,85	H102	180M ⁽²⁾	4	17742
73,3	2313	3,5	20,04	H142	180M ⁽²⁾	4	43719
71,5	2374	2,1	20,57	H122	180M ⁽²⁾	4	30000
70,7	2423	2,0	13,86	H122	200LA ⁽²⁾	6	30000
68,6	2474	1,3	21,44	H102	180M ⁽²⁾	4	17727
65,3	2599	1,9	22,52	H122	180M ⁽²⁾	4	30000
62,2	2753	3,0	15,75	H142	200LA ⁽²⁾	6	45225
61,3	2766	1,2	23,97	H102	180M ⁽²⁾	4	17637
60,9	2786	2,9	24,15	H142	180M ⁽²⁾	4	45514
60,1	2823	1,8	24,47	H122	180M ⁽²⁾	4	30000
57,9	2958	1,7	16,92	H122	200LA ⁽²⁾	6	30000
56,8	2988	1,1	25,89	H102	180M ⁽²⁾	4	17521
56,1	3051	2,7	17,45	H142	200LA ⁽²⁾	6	46178
54,9	3088	2,6	26,76	H142	180M ⁽²⁾	4	46470
53,5	3172	1,6	27,49	H122	180M ⁽²⁾	4	30000
51,2	3315	1,0	28,73	H102	180M ⁽²⁾	4	17287
50,7	3377	1,6	19,32	H122	200LA ⁽²⁾	6	30000
49,2	3446	1,5	29,86	H122	180M ⁽²⁾	4	30000
48,9	3503	2,4	20,04	H142	200LA ⁽²⁾	6	47406
47,6	3596	1,5	20,57	H122	200LA ⁽²⁾	6	30000
45,6	3720	2,2	32,24	H142	180M ⁽²⁾	4	48110
44,5	3808	1,3	33,00	H122	180M ⁽²⁾	4	30000
43,5	3937	1,3	22,52	H122	200LA ⁽²⁾	6	30000
40,7	4169	1,2	36,13	H122	180M ⁽²⁾	4	30000
40,6	4221	2,0	24,15	H142	200LA ⁽²⁾	6	48931
37,8	4482	1,8	38,85	H142	180M ⁽²⁾	4	49588
36,6	4678	1,8	26,76	H142	200LA ⁽²⁾	6	49688
35,6	4805	1,1	27,49	H122	200LA ⁽²⁾	6	30000
34,1	4968	1,6	43,05	H142	180M ⁽²⁾	4	50309
33,3	5088	1,0	44,10	H122	180M ⁽²⁾	4	30000
32,1	5171	1,0	45,77	H123	180M ⁽²⁾	4	30000

(2) With TBS brake motor, please contact our Technical Sales Support

18,50 kW

n2 [rpm]	M2 [Nm]	fs	i	Gear reducer	Motor Size	Pole	Fr2 [N]
30,4	5636	1,5	32,24	H142	200LA ⁽²⁾	6	50859
30,4	5462	1,5	48,35	H143	180M ⁽²⁾	4	51372
27,5	6047	1,3	53,53	H143	180M ⁽²⁾	4	51934
25,2	6791	1,2	38,85	H142	200LA ⁽²⁾	6	51701
24,8	6690	1,2	59,22	H143	180M ⁽²⁾	4	52385
23,3	7117	1,1	62,99	H143	180M ⁽²⁾	4	52600
22,8	7526	1,1	43,05	H142	200LA ⁽²⁾	6	51986
20,6	8061	1,0	71,35	H143	180M ⁽²⁾	4	52877
18,3	9162	0,9	53,53	H143	200LA ⁽²⁾	6	52642

22,00 kW

n2 [rpm]	M2 [Nm]	fs	i	Gear reducer	Motor Size	Pole	Fr2 [N]
1194,4	171	4,0	1,23	HR121	180L ⁽²⁾	4	4240
1137,2	179	2,5	1,29	HR101	180L ⁽²⁾	4	3331
1042,4	196	2,5	1,41	HR101	180L ⁽²⁾	4	3413
1037,6	196	3,8	1,42	HR121	180L ⁽²⁾	4	4424
813,8	250	3,0	1,81	HR121	180L ⁽²⁾	4	4756
796,3	259	2,8	1,23	HR121	200LB ⁽²⁾	6	4783
735,0	277	2,8	2,00	HR121	180L ⁽²⁾	4	4900
723,3	282	1,7	2,03	HR101	180L ⁽²⁾	4	3766
691,8	298	2,6	1,42	HR121	200LB ⁽²⁾	6	4984
592,7	344	2,4	2,48	HR121	180L ⁽²⁾	4	5214
592,4	344	1,7	2,48	HR101	180L ⁽²⁾	4	3962
542,5	379	2,0	1,81	HR121	200LB ⁽²⁾	6	5343
497,5	410	2,0	2,95	HR121	180L ⁽²⁾	4	5478
490,0	420	1,9	2,00	HR121	200LB ⁽²⁾	6	5497
467,7	436	1,9	3,14	HR121	180L ⁽²⁾	4	5573
449,2	454	1,3	3,27	HR101	180L ⁽²⁾	4	4235
410,7	496	1,7	3,58	HR121	180L ⁽²⁾	4	5776
397,3	513	1,2	3,70	HR101	180L ⁽²⁾	4	4354
395,2	521	1,7	2,48	HR121	200LB ⁽²⁾	6	5831
357,0	571	1,5	4,12	HR121	180L ⁽²⁾	4	5998
348,2	585	1,0	4,22	HR101	180L ⁽²⁾	4	4479
331,7	621	1,4	2,95	HR121	200LB ⁽²⁾	6	6000
311,8	660	1,3	3,14	HR121	200LB ⁽²⁾	6	6000
306,3	665	1,3	4,80	HR121	180L ⁽²⁾	4	6000
301,5	676	0,9	4,88	HR101	180L ⁽²⁾	4	4610
281,9	723	1,2	5,21	HR121	180L ⁽²⁾	4	6000
279,3	722	2,5	5,26	H102	180L ⁽²⁾	4	14314
273,8	752	1,2	3,58	HR121	200LB ⁽²⁾	6	6000
238,0	865	1,0	4,12	HR121	200LB ⁽²⁾	6	6000

⁽²⁾ With TBS brake motor, please contact our Technical Sales Support

22,00 kW

n ₂ [rpm]	M ₂ [Nm]	f _s	i	Gear reducer	Motor		Fr ₂ [N]
					Size	Pole	
235,2	866	1,0	6,25	HR121	180L ⁽²⁾	4	6000
231,3	872	2,3	6,36	H102	180L ⁽²⁾	4	14840
208,5	967	2,4	7,05	H102	180L ⁽²⁾	4	15111
208,5	967	3,7	7,05	H122	180L ⁽²⁾	4	23829
204,2	1008	0,9	4,80	HR121	200LB ⁽²⁾	6	6000
190,9	1068	0,9	7,70	HR121	180L ⁽²⁾	4	6000
189,9	1062	3,5	7,74	H122	180L ⁽²⁾	4	24370
185,8	1096	2,9	5,27	H122	200LB ⁽²⁾	6	24460
177,7	1135	2,2	8,27	H102	180L ⁽²⁾	4	15493
173,4	1163	3,3	8,48	H122	180L ⁽²⁾	4	24889
169,7	1200	2,8	5,78	H122	200LB ⁽²⁾	6	24975
154,2	1321	3,9	6,36	H142	200LB ⁽²⁾	6	35673
147,1	1371	2,0	9,99	H102	180L ⁽²⁾	4	15871
142,1	1420	2,8	10,35	H122	180L ⁽²⁾	4	26010
139,1	1464	3,6	7,04	H142	200LB ⁽²⁾	6	36612
139,0	1465	2,6	7,05	H122	200LB ⁽²⁾	6	26082
132,6	1521	2,0	11,09	H102	180L ⁽²⁾	4	16037
126,6	1609	2,4	7,74	H122	200LB ⁽²⁾	6	26587
125,0	1630	3,4	7,84	H142	200LB ⁽²⁾	6	37596
116,1	1737	2,5	12,66	H122	180L ⁽²⁾	4	27094
115,6	1762	2,3	8,48	H122	200LB ⁽²⁾	6	27059
110,3	1828	1,7	13,32	H102	180L ⁽²⁾	4	16237
106,0	1902	2,4	13,86	H122	180L ⁽²⁾	4	27556
103,7	1964	3,5	9,45	H142	200LB ⁽²⁾	6	39291
94,7	2151	2,0	10,35	H122	200LB ⁽²⁾	6	28033
93,6	2177	3,5	10,47	H142	200LB ⁽²⁾	6	40213
93,3	2161	3,6	15,75	H142	180L ⁽²⁾	4	40301
91,4	2208	1,4	16,09	H102	180L ⁽²⁾	4	16286
86,9	2322	2,1	16,92	H122	180L ⁽²⁾	4	28494
84,2	2395	3,3	17,45	H142	180L ⁽²⁾	4	41214
82,3	2449	1,3	17,85	H102	180L ⁽²⁾	4	16229
77,4	2632	1,8	12,66	H122	200LB ⁽²⁾	6	28893
76,1	2651	1,9	19,32	H122	180L ⁽²⁾	4	29043
75,0	2717	2,8	13,07	H142	200LB ⁽²⁾	6	42143
74,1	2723	1,2	19,85	H102	180L ⁽²⁾	4	16099
73,3	2750	2,9	20,04	H142	180L ⁽²⁾	4	42410
71,5	2823	1,8	20,57	H122	180L ⁽²⁾	4	29276
70,7	2882	1,7	13,86	H122	200LB ⁽²⁾	6	29223
68,6	2942	1,1	21,44	H102	180L ⁽²⁾	4	15952
65,3	3090	1,6	22,52	H122	180L ⁽²⁾	4	29579
62,2	3274	2,5	15,75	H142	200LB ⁽²⁾	6	43667
61,3	3289	1,0	23,97	H102	180L ⁽²⁾	4	15653

(2) With TBS brake motor, please contact our Technical Sales Support

22,00 kW

n2 [rpm]	M2 [Nm]	fs	i	Gear reducer	Motor Size	Pole	Fr2 [N]
60,9	3314	2,4	24,15	H142	180L ⁽²⁾	4	43937
60,1	3357	1,5	24,47	H122	180L ⁽²⁾	4	29815
57,9	3517	1,4	16,92	H122	200LB ⁽²⁾	6	29793
56,8	3553	0,9	25,89	H102	180L ⁽²⁾	4	15378
56,1	3628	2,3	17,45	H142	200LB ⁽²⁾	6	44451
54,9	3672	2,2	26,76	H142	180L ⁽²⁾	4	44722
53,5	3772	1,3	27,49	H122	180L ⁽²⁾	4	30000
50,7	4016	1,3	19,32	H122	200LB ⁽²⁾	6	30000
49,2	4098	1,2	29,86	H122	180L ⁽²⁾	4	30000
48,9	4166	2,0	20,04	H142	200LB ⁽²⁾	6	45423
47,6	4276	1,2	20,57	H122	200LB ⁽²⁾	6	30000
45,6	4424	1,8	32,24	H142	180L ⁽²⁾	4	46004
44,5	4528	1,1	33,00	H122	180L ⁽²⁾	4	30000
43,5	4682	1,1	22,52	H122	200LB ⁽²⁾	6	30000
40,7	4957	1,0	36,13	H122	180L ⁽²⁾	4	30000
40,6	5020	1,7	24,15	H142	200LB ⁽²⁾	6	46542
37,8	5331	1,5	38,85	H142	180L ⁽²⁾	4	47051
36,6	5563	1,5	26,76	H142	200LB ⁽²⁾	6	47040
35,6	5715	0,9	27,49	H122	200LB ⁽²⁾	6	29859
34,1	5907	1,4	43,05	H142	180L ⁽²⁾	4	47498
30,4	6702	1,3	32,24	H142	200LB ⁽²⁾	6	47669
30,4	6495	1,2	48,35	H143	180L ⁽²⁾	4	48280
27,5	7191	1,1	53,53	H143	180L ⁽²⁾	4	48511
25,2	8076	1,0	38,85	H142	200LB ⁽²⁾	6	47857
24,8	7956	1,0	59,22	H143	180L ⁽²⁾	4	48598
23,3	8463	0,9	62,99	H143	180L ⁽²⁾	4	48572
22,8	8950	0,9	43,05	H142	200LB ⁽²⁾	6	47726

30,00 kW

n2 [rpm]	M2 [Nm]	fs	i	Gear reducer	Motor Size	Pole	Fr2 [N]
1198,4	232	2,9	1,23	HR121	200L ⁽²⁾	4	4174
1041,2	267	2,8	1,42	HR121	200L ⁽²⁾	4	4348
816,5	340	2,2	1,81	HR121	200L ⁽²⁾	4	4659
737,5	377	2,1	2,00	HR121	200L ⁽²⁾	4	4794
594,8	467	1,8	2,48	HR121	200L ⁽²⁾	4	5083
499,2	557	1,5	2,95	HR121	200L ⁽²⁾	4	5324
469,3	592	1,4	3,14	HR121	200L ⁽²⁾	4	5409
412,1	674	1,3	3,58	HR121	200L ⁽²⁾	4	5589
358,2	776	1,1	4,12	HR121	200L ⁽²⁾	4	5784
307,3	904	1,0	4,80	HR121	200L ⁽²⁾	4	5995
279,6	984	3,1	5,27	H122	200L ⁽²⁾	4	21290

(2) With TBS brake motor, please contact our Technical Sales Support

30,00 kW

n ₂ [rpm]	M ₂ [Nm]	f _s	i	Gear reducer	Motor		Fr ₂ [N]
					Size	Pole	
255,4	1077	3,0	5,78	H122	200L ⁽²⁾	4	21732
209,4	1313	3,8	7,04	H142	200L ⁽²⁾	4	31889
209,3	1314	2,7	7,05	H122	200L ⁽²⁾	4	22681
190,5	1444	2,6	7,74	H122	200L ⁽²⁾	4	23110
188,1	1462	3,6	7,84	H142	200L ⁽²⁾	4	32737
174,0	1581	2,4	8,48	H122	200L ⁽²⁾	4	23512
156,1	1762	3,7	9,45	H142	200L ⁽²⁾	4	34195
142,6	1929	2,1	10,35	H122	200L ⁽²⁾	4	24334
140,8	1953	3,7	10,47	H142	200L ⁽²⁾	4	34986
116,5	2361	1,9	12,66	H122	200L ⁽²⁾	4	25049
112,8	2437	3,0	13,07	H142	200L ⁽²⁾	4	36635
106,4	2585	1,8	13,86	H122	200L ⁽²⁾	4	25319
93,7	2937	2,7	15,75	H142	200L ⁽²⁾	4	37927
87,2	3155	1,5	16,92	H122	200L ⁽²⁾	4	25769
84,5	3255	2,4	17,45	H142	200L ⁽²⁾	4	38588
76,3	3603	1,4	19,32	H122	200L ⁽²⁾	4	25936
73,6	3737	2,1	20,04	H142	200L ⁽²⁾	4	39400
71,7	3836	1,3	20,57	H122	200L ⁽²⁾	4	25970
65,5	4200	1,2	22,52	H122	200L ⁽²⁾	4	25961
61,1	4503	1,8	24,15	H142	200L ⁽²⁾	4	40318
55,1	4991	1,6	26,76	H142	200L ⁽²⁾	4	40715
53,7	5126	1,0	27,49	H122	200L ⁽²⁾	4	25662
45,7	6012	1,3	32,24	H142	200L ⁽²⁾	4	41186
38,0	7244	1,1	38,85	H142	200L ⁽²⁾	4	41255
34,3	8028	1,0	43,05	H142	200L ⁽²⁾	4	41080
30,5	8827	0,9	48,35	H143	200L ⁽²⁾	4	41228

37,00 kW

n ₂ [rpm]	M ₂ [Nm]	f _s	i	Gear reducer	Motor		Fr ₂ [N]
					Size	Pole	
281,5	1205	3,8	5,27	H142	225S ⁽²⁾	4	28881
233,7	1452	3,4	6,36	H142	225S ⁽²⁾	4	30204
210,8	1609	3,1	7,04	H142	225S ⁽²⁾	4	30925
189,3	1792	3,0	7,84	H142	225S ⁽²⁾	4	31670
157,1	2159	3,0	9,45	H142	225S ⁽²⁾	4	32921
141,8	2392	3,0	10,47	H142	225S ⁽²⁾	4	33580
113,6	2986	2,4	13,07	H142	225S ⁽²⁾	4	34896
94,3	3598	2,2	15,75	H142	225S ⁽²⁾	4	35846
85,1	3987	2,0	17,45	H142	225S ⁽²⁾	4	36289
74,1	4578	1,7	20,04	H142	225S ⁽²⁾	4	36771
61,5	5517	1,5	24,15	H142	225S ⁽²⁾	4	37167
55,5	6114	1,3	26,76	H142	225S ⁽²⁾	4	37232

⁽²⁾ With TBS brake motor, please contact our Technical Sales Support

37,00 kW

n2 [rpm]	M2 [Nm]	fs	i	Gear reducer	Size	Motor	Pole	Fr2 [N]
46,1	7365	1,1	32,24	H142	225S ⁽²⁾		4	37007
38,2	8874	0,9	38,85	H142	225S ⁽²⁾		4	36237

45,00 kW

n2 [rpm]	M2 [Nm]	fs	i	Gear reducer	Size	Motor	Pole	Fr2 [N]
281,5	1465	3,1	5,27	H142	225M ⁽²⁾		4	28102
233,7	1766	2,8	6,36	H142	225M ⁽²⁾		4	29265
210,8	1957	2,6	7,04	H142	225M ⁽²⁾		4	29884
189,3	2179	2,4	7,84	H142	225M ⁽²⁾		4	30511
157,1	2625	2,5	9,45	H142	225M ⁽²⁾		4	31525
141,8	2910	2,5	10,47	H142	225M ⁽²⁾		4	32033
113,6	3631	2,0	13,07	H142	225M ⁽²⁾		4	32964
94,3	4376	1,8	15,75	H142	225M ⁽²⁾		4	33519
85,1	4849	1,6	17,45	H142	225M ⁽²⁾		4	33710
74,1	5568	1,4	20,04	H142	225M ⁽²⁾		4	33810
61,5	6709	1,2	24,15	H142	225M ⁽²⁾		4	33598
55,5	7435	1,1	26,76	H142	225M ⁽²⁾		4	33277

⁽²⁾ With TBS brake motor, please contact our Technical Sales Support

IHA32

Mn ₂ [Nm]	i	Pn ₁ [kW]	n ₂ [rpm]	Fr1 [N]	Fr2 [N]
75	5,38	2,67	325,3	330	1018
75	6,52	2,20	268,5	409	1085
71	8,11	1,66	215,8	373	1167
85	10,94	1,48	160,0	441	1289
75	13,25	1,08	132,1	363	1374
75	16,49	0,87	106,1	398	1478
85	20,26	0,80	86,4	453	1583
80	24,55	0,62	71,3	386	1688
75	30,55	0,47	57,3	374	1816
85	35,44	0,46	49,4	480	1908
85	44,10	0,37	39,7	398	2000
75	48,75	0,29	35,9	398	2000
89	60,67	0,28	28,9	472	2000

IHA33

Mn ₂ [Nm]	i	Pn ₁ [kW]	n ₂ [rpm]	Fr1 [N]	Fr2 [N]
94	51,32	0,36	34,1	472	2000
94	59,65	0,31	29,3	472	2000
94	72,27	0,25	24,2	472	2000
94	89,94	0,20	19,5	472	2000
94	110,51	0,17	15,8	472	2000
94	133,88	0,14	13,1	472	2000
94	166,61	0,11	10,5	472	2000
94	193,30	0,09	9,1	472	2000
94	240,55	0,08	7,3	472	2000
94	279,07	0,07	6,3	472	2000
94	347,29	0,05	5,0	472	2000

IHA41

Mn ₂ [Nm]	i	Pn ₁ [kW]	n ₂ [rpm]	Fr1 [N]	Fr2 [N]
24	1,45	3,07	1208,3	330	475
24	2,94	1,51	594,3	330	602
28	4,75	1,12	368,4	330	706
28	5,45	0,98	320,8	330	739
24	7,88	0,56	222,2	330	835
19	10,83	0,33	161,5	330	929

IHA42

Mn_2 [Nm]	i	Pn_1 [kW]	n2 [rpm]	Fr1 [N]	Fr2 [N]
132	5,38	4,67	325,3	330	2143
132	6,52	3,85	268,5	409	2284
122	8,11	2,88	215,8	369	2457
141	10,94	2,46	160,0	424	2714
132	13,25	1,90	132,1	381	2894
132	16,49	1,52	106,1	398	3112
141	20,26	1,33	86,4	432	3334
146	24,55	1,13	71,3	422	3554
132	30,55	0,82	57,3	359	3823
141	35,44	0,76	49,4	457	4017
132	44,10	0,57	39,7	371	4300
108	48,75	0,42	35,9	416	4300
122	60,67	0,38	28,9	428	4300

IHA43

Mn_2 [Nm]	i	Pn_1 [kW]	n2 [rpm]	Fr1 [N]	Fr2 [N]
141	51,32	0,54	34,1	427	4300
141	59,65	0,46	29,3	426	4300
141	72,27	0,38	24,2	409	4300
141	89,94	0,31	19,5	398	4300
141	110,51	0,25	15,8	403	4300
141	133,88	0,21	13,1	409	4300
141	166,61	0,16	10,5	398	4300
141	193,30	0,14	9,1	427	4300
141	240,55	0,11	7,3	398	4300
141	279,07	0,10	6,3	427	4300
141	347,29	0,08	5,0	398	4300

IHA51

Mn_2 [Nm]	i	Pn_1 [kW]	n2 [rpm]	Fr1 [N]	Fr2 [N]
38	1,45	4,90	1208,3	330	1309
38	2,94	2,41	594,3	330	1658
47	4,75	1,87	368,4	330	1945
47	5,45	1,63	320,8	330	2036
38	7,88	0,90	222,2	330	2302
24	10,83	0,41	161,5	330	2560

IHA52

Mn_2 [Nm]	i	Pn_1 [kW]	n_2 [rpm]	Fr_1 [N]	Fr_2 [N]
226	5,14	8,37	340,3	550	2638
226	6,22	6,92	281,2	682	2811
226	7,73	5,57	226,3	664	3023
282	9,64	5,58	181,5	827	3253
263	11,67	4,31	150,0	636	3467
263	14,50	3,46	120,7	664	3727
282	16,91	3,18	103,5	758	3924
273	20,46	2,54	85,5	659	4181
263	25,43	1,98	68,8	641	4495
282	29,89	1,80	58,5	752	4744
282	36,17	1,49	48,4	682	5055
263	44,95	1,12	38,9	620	5435
282	49,78	1,08	35,2	798	5623
273	61,87	0,84	28,3	642	6000

IHA53

Mn_2 [Nm]	i	Pn_1 [kW]	n_2 [rpm]	Fr_1 [N]	Fr_2 [N]
282	49,80	1,10	35,1	330	5624
282	60,25	0,91	29,1	409	5992
282	74,88	0,73	23,4	398	6000
282	88,02	0,62	19,9	421	6000
282	111,61	0,49	15,7	390	6000
282	138,71	0,40	12,6	398	6000
282	163,05	0,34	10,7	421	6000
282	200,27	0,27	8,7	403	6000
282	235,41	0,23	7,4	421	6000
282	284,81	0,19	6,1	409	6000
282	353,98	0,16	4,9	398	6000

IHA61

Mn_2 [Nm]	i	Pn_1 [kW]	n_2 [rpm]	Fr_1 [N]	Fr_2 [N]
85	1,33	11,99	1312,5	550	1906
85	2,50	6,39	700,0	550	2350
103	4,38	4,46	399,1	550	2834
85	7,75	2,06	225,8	550	3426
66	10,67	1,17	164,1	550	3811

IHA62

Mn ₂ [Nm]	i	Pn ₁ [kW]	n ₂ [rpm]	Fr1 [N]	Fr2 [N]
357	5,14	13,26	340,3	550	3894
357	6,22	10,96	281,2	682	4150
357	7,73	8,82	226,3	664	4462
432	9,64	8,56	181,5	801	4802
414	11,67	6,77	150,0	652	5117
395	14,50	5,20	120,7	634	5502
470	16,91	5,30	103,5	842	5791
432	20,46	4,03	85,5	627	6171
404	25,43	3,03	68,8	621	6635
423	29,89	2,70	58,5	734	7002
442	36,17	2,33	48,4	712	7461
414	44,95	1,76	38,9	621	8000
348	49,78	1,33	35,2	626	8000
414	61,87	1,28	28,3	789	8000

IHA63

Mn ₂ [Nm]	i	Pn ₁ [kW]	n ₂ [rpm]	Fr1 [N]	Fr2 [N]
451	49,80	1,77	35,1	330	8000
451	60,25	1,46	29,1	409	8000
451	74,88	1,17	23,4	398	8000
451	88,02	1,00	19,9	421	8000
451	111,61	0,79	15,7	390	8000
451	138,71	0,63	12,6	398	8000
451	163,05	0,54	10,7	421	8000
451	200,27	0,44	8,7	403	8000
451	235,41	0,37	7,4	421	8000
451	284,81	0,31	6,1	409	8000
451	353,98	0,25	4,9	398	8000

IH032

Mn ₂ [Nm]	i	Pn ₁ [kW]	n ₂ [rpm]	Fr1 [N]	Fr2 [N]
89	4,70	3,63	372,7	742	2769
99	6,23	3,02	280,9	852	3037
118	7,76	2,89	225,4	877	3151
122	8,87	2,63	197,4	924	3300
132	10,14	2,48	172,5	952	3412
136	11,76	2,21	148,8	1001	3605
160	13,72	2,22	127,5	999	3625
160	14,66	2,08	119,4	1024	3743

IH032

Mn ₂ [Nm]	i	Pn ₁ [kW]	n ₂ [rpm]	Fr1 [N]	Fr2 [N]
179	16,77	2,03	104,4	1033	3795
188	18,20	1,97	96,2	1044	3854
188	19,90	1,80	88,0	1075	4029
188	22,68	1,58	77,2	1115	4296
188	23,83	1,51	73,4	1129	4400
188	26,39	1,36	66,3	1156	4620
188	29,70	1,21	58,9	1184	4884
188	32,89	1,09	53,2	1205	5120
188	37,92	0,95	46,1	1231	5464
188	41,40	0,87	42,3	1246	5500
188	47,25	0,76	37,0	1265	5500

IH033

Mn ₂ [Nm]	i	Pn ₁ [kW]	n ₂ [rpm]	Fr1 [N]	Fr2 [N]
188	53,59	0,68	32,7	1282	5500
188	66,78	0,55	26,2	1306	5500
188	74,84	0,49	23,4	1316	5500
188	99,27	0,37	17,6	1338	5500
188	108,05	0,34	16,2	1343	5500
188	123,71	0,30	14,2	1351	5500
188	143,33	0,26	12,2	1358	5500
188	178,61	0,21	9,8	1367	5500
188	197,17	0,19	8,9	1371	5500
188	245,70	0,15	7,1	1377	5500

IH042

Mn ₂ [Nm]	i	Pn ₁ [kW]	n ₂ [rpm]	Fr1 [N]	Fr2 [N]
150	5,46	5,26	320,4	494	3589
150	7,19	3,99	243,5	718	4052
197	8,91	4,23	196,3	676	4056
226	10,31	4,18	169,7	686	4106
235	11,80	3,80	148,3	752	4303
235	13,57	3,31	128,9	841	4601
235	15,96	2,81	109,7	929	4965
235	19,00	2,36	92,1	1009	5379
235	21,00	2,14	83,3	1049	5627
244	23,15	2,02	75,6	1070	5799
244	26,04	1,79	67,2	1110	6112
263	27,50	1,83	63,6	1104	6106

IH042

Mn_2 [Nm]	i	Pn_1 [kW]	n_2 [rpm]	Fr_1 [N]	Fr_2 [N]
263	30,45	1,65	57,5	1135	6393
263	34,10	1,47	51,3	1166	6600
263	37,76	1,33	46,3	1192	6600
263	43,75	1,15	40,0	1224	6600
263	47,53	1,06	36,8	1240	6600
263	54,25	0,93	32,3	1264	6600

IH043

Mn_2 [Nm]	i	Pn_1 [kW]	n_2 [rpm]	Fr_1 [N]	Fr_2 [N]
282	61,83	0,89	28,3	1274	6600
282	76,67	0,72	22,8	1304	6600
282	87,05	0,63	20,1	1319	6600
282	114,55	0,48	15,3	1345	6600
282	125,69	0,44	13,9	1352	6600
282	142,04	0,39	12,3	1361	6600
282	165,38	0,33	10,6	1371	6600
282	205,07	0,27	8,5	1382	6600
282	227,50	0,24	7,7	1386	6600
282	282,10	0,19	6,2	1395	6600

IH052

Mn_2 [Nm]	i	Pn_1 [kW]	n_2 [rpm]	Fr_1 [N]	Fr_2 [N]
244	5,73	8,15	305,6	328	4443
273	6,89	7,55	253,8	406	4642
320	8,53	7,15	205,2	458	4802
348	9,56	6,94	183,0	486	4884
367	11,51	6,08	152,0	599	5218
404	14,24	5,42	122,9	686	5530
423	16,59	4,87	105,5	759	5835
432	18,00	4,59	97,2	796	6011
432	19,97	4,13	87,6	855	6325
442	21,67	3,89	80,8	887	6515
442	24,71	3,41	70,8	950	6939
461	26,18	3,36	66,8	957	7006
461	28,44	3,09	61,5	992	7288
461	31,52	2,79	55,5	1032	7649
461	33,00	2,66	53,0	1048	7815
461	38,98	2,26	44,9	1102	8000
461	45,36	1,94	38,6	1144	8000

IH052

Mn ₂ [Nm]	i	Pn ₁ [kW]	n ₂ [rpm]	Fr1 [N]	Fr2 [N]
461	49,13	1,79	35,6	1163	8000
461	56,11	1,57	31,2	1192	8000

IH053

Mn ₂ [Nm]	i	Pn ₁ [kW]	n ₂ [rpm]	Fr1 [N]	Fr2 [N]
470	58,81	1,56	29,8	1198	8000
470	72,75	1,26	24,1	1236	8000
470	90,51	1,01	19,3	1268	8000
470	108,95	0,84	16,1	1290	8000
470	134,76	0,68	13,0	1311	8000
470	157,29	0,58	11,1	1323	8000
470	194,56	0,47	9,0	1338	8000
470	216,38	0,42	8,1	1344	8000
470	267,65	0,34	6,5	1354	8000

IH062

Mn ₂ [Nm]	i	Pn ₁ [kW]	n ₂ [rpm]	Fr1 [N]	Fr2 [N]
470	5,38	16,69	325,6	972	7181
517	5,93	16,63	294,9	979	7240
517	7,39	13,35	236,8	1346	8018
564	8,50	12,67	205,9	1423	8270
564	9,39	11,47	186,5	1557	8658
611	11,69	9,98	149,7	1724	9291
658	12,67	9,92	138,2	1731	9366
658	14,75	8,52	118,6	1888	10053
752	16,29	8,81	107,5	1854	9972
780	17,67	8,43	99,1	1897	10202
799	20,28	7,52	86,3	1999	10787
799	23,27	6,55	75,2	2108	11512
799	25,70	5,94	68,1	2177	12000
752	29,33	4,89	59,7	2293	12000
799	32,00	4,77	54,7	2308	12000
752	36,99	3,88	47,3	2407	12000
799	40,33	3,78	43,4	2418	12000
799	46,06	3,31	38,0	2471	12000

IH063

Mn ₂ [Nm]	i	Pn ₁ [kW]	n ₂ [rpm]	Fr1 [N]	Fr2 [N]
799	49,45	3,15	35,4	2496	12000
799	54,61	2,85	32,0	2529	12000
799	68,00	2,29	25,7	2590	12000
799	85,82	1,81	20,4	2643	12000
799	94,76	1,64	18,5	2661	12000
799	118,00	1,32	14,8	2697	12000
799	135,40	1,15	12,9	2715	12000
799	149,51	1,04	11,7	2727	12000
799	170,67	0,91	10,2	2742	12000
799	186,18	0,84	9,4	2750	12000
799	215,21	0,72	8,1	2762	12000
799	234,67	0,66	7,5	2769	12000
799	268,00	0,58	6,5	2778	12000

IH082

Mn ₂ [Nm]	i	Pn ₁ [kW]	n ₂ [rpm]	Fr1 [N]	Fr2 [N]
658	5,39	23,31	324,8	947	9019
658	5,95	21,12	294,3	1140	9420
752	7,39	19,41	236,7	1292	9927
752	8,02	17,90	218,2	1426	10294
846	8,85	18,25	197,7	1395	10322
1034	11,01	17,93	159,0	1423	10532
1316	13,50	18,61	129,6	1363	10317
1410	14,90	18,07	117,5	1410	10432
1410	16,62	16,20	105,3	1576	11058
1410	18,53	14,53	94,5	1723	11705
1504	19,38	14,81	90,3	1699	11551
1504	21,39	13,42	81,8	1821	12166
1504	22,80	12,59	76,8	1895	12576
1504	26,60	10,79	65,8	2054	13601
1504	27,88	10,30	62,8	2098	13925
1504	31,15	9,22	56,2	2193	14709
1504	34,38	8,35	50,9	2270	15429
1504	38,70	7,42	45,2	2352	16329
1504	42,75	6,72	40,9	2414	17111
1504	48,13	5,96	36,4	2481	18000

IH083

Mn ₂ [Nm]	i	Pn ₁ [kW]	n ₂ [rpm]	Fr1 [N]	Fr2 [N]
1504	56,53	5,19	31,0	2559	18000
1692	71,48	4,61	24,5	2609	18000
1692	78,87	4,18	22,2	2646	18000
1692	85,56	3,86	20,4	2674	18000
1692	98,09	3,36	17,8	2717	18000
1692	112,78	2,92	15,5	2755	18000
1692	124,44	2,65	14,1	2779	18000
1692	142,15	2,32	12,3	2807	18000
1692	154,76	2,13	11,3	2824	18000
1692	162,35	2,03	10,8	2832	18000
1692	179,13	1,84	9,8	2849	18000
1692	195,07	1,69	9,0	2862	18000
1692	222,78	1,48	7,9	2880	18000

IH102

Mn ₂ [Nm]	i	Pn ₁ [kW]	n ₂ [rpm]	Fr1 [N]	Fr2 [N]
1692	5,26	61,37	332,5	1872	9555
1880	6,36	56,46	275,3	2050	9878
2162	7,05	58,53	248,2	1975	9408
2350	8,27	54,21	211,5	2131	9660
2632	9,99	50,28	175,1	2273	9796
2820	11,09	48,56	157,9	2336	9779
2914	13,32	41,74	131,3	2582	10718
3008	16,09	35,68	108,8	2801	11774
3008	17,85	32,16	98,0	2928	12590
3008	19,85	28,93	88,2	3045	13453
3008	21,44	26,78	81,6	3123	14102
3102	23,97	24,70	73,0	3198	14710
3102	25,89	22,87	67,6	3265	15401
3102	28,73	20,61	60,9	3346	16357
3008	30,72	18,69	57,0	3416	17349
3008	34,20	16,79	51,2	3484	18396
2632	38,45	13,07	45,5	3619	21009
3102	41,30	14,34	42,4	3573	19974
3102	45,82	12,92	38,2	3624	21091
3102	51,52	11,49	34,0	3676	22000

IH103

Mn ₂ [Nm]	i	Pn ₁ [kW]	n ₂ [rpm]	Fr1 [N]	Fr2 [N]
3290	55,47	11,56	31,6	3682	22000
3290	69,69	9,20	25,1	3766	22000
3290	79,82	8,04	21,9	3807	22000
3290	84,16	7,62	20,8	3822	22000
3290	93,36	6,87	18,7	3848	22000
3290	100,07	6,41	17,5	3865	22000
3290	120,84	5,31	14,5	3904	22000
3290	134,06	4,78	13,1	3922	22000
3290	143,42	4,47	12,2	3933	22000
3290	160,82	3,99	10,9	3950	22000
3290	181,07	3,54	9,7	3966	22000
3290	194,21	3,30	9,0	3975	22000
3290	215,45	2,98	8,1	3986	22000
3384	242,59	2,72	7,2	3995	22000

IH122

Mn ₂ [Nm]	i	Pn ₁ [kW]	n ₂ [rpm]	Fr1 [N]	Fr2 [N]
2820	5,27	102,05	331,8	973	13873
3008	5,78	99,42	303,0	1052	13972
3384	7,05	91,64	248,3	1285	14386
3478	7,74	85,75	226,0	1461	14886
3572	8,48	80,44	206,4	1620	15384
3760	10,35	69,37	169,2	1952	16625
4136	12,66	62,35	138,2	2162	17416
4324	13,86	59,53	126,2	2246	17753
4512	16,92	50,90	103,4	2505	19324
4700	19,32	46,43	90,6	2639	20249
4700	20,57	43,61	85,1	2723	20996
4700	22,52	39,83	77,7	2836	22104
4700	24,47	36,67	71,5	2931	23147
4700	27,49	32,63	63,7	3052	24663
4700	29,86	30,04	58,6	3130	25777
4700	33,00	27,19	53,0	3215	27161
4700	36,13	24,83	48,4	3286	28459
4700	44,10	20,34	39,7	3420	30000

IH123

Mn ₂ [Nm]	i	Pn ₁ [kW]	n ₂ [rpm]	Fr1 [N]	Fr2 [N]
4700	45,77	20,02	38,2	3442	30000

IH123

Mn ₂ [Nm]	i	Pn ₁ [kW]	n ₂ [rpm]	Fr1 [N]	Fr2 [N]
4700	55,87	16,40	31,3	3548	30000
4700	67,32	13,61	26,0	3630	30000
4700	73,71	12,43	23,7	3665	30000
4700	83,34	10,99	21,0	3707	30000
4700	89,97	10,18	19,4	3731	30000
4700	100,29	9,14	17,4	3761	30000
4700	108,34	8,46	16,1	3781	30000
4700	118,62	7,72	14,8	3803	30000
4700	128,18	7,15	13,7	3820	30000
4700	144,79	6,33	12,1	3844	30000
4700	155,22	5,90	11,3	3856	30000
4700	172,80	5,30	10,1	3874	30000
4700	189,19	4,84	9,2	3887	30000
4700	207,43	4,42	8,4	3900	30000
4700	230,92	3,97	7,6	3913	30000

IH142

Mn ₂ [Nm]	i	Pn ₁ [kW]	n ₂ [rpm]	Fr1 [N]	Fr2 [N]
4324	5,27	156,49	331,8	5427	17544
4606	6,36	138,34	275,4	6017	18654
4700	7,04	127,38	248,5	6374	19503
4982	7,84	121,25	223,1	6573	19885
6110	9,45	123,42	185,2	6503	18741
6768	10,47	123,36	167,1	6505	18062
6862	13,07	100,21	133,9	7258	20719
7332	15,75	88,86	111,1	7628	21957
7426	17,45	81,21	100,3	7877	23205
7520	20,04	71,62	87,3	8189	25066
7520	24,15	59,44	72,5	8585	28116
7520	26,76	53,63	65,4	8774	29879
7520	32,24	44,52	54,3	9071	33234
7520	38,85	36,95	45,0	9317	36807
7520	43,05	33,34	40,6	9435	38874

IH143

Mn ₂ [Nm]	i	Pn ₁ [kW]	n ₂ [rpm]	Fr1 [N]	Fr2 [N]
7520	48,35	30,32	36,2	9553	41292
7520	53,53	27,39	32,7	9647	43493
7520	59,22	24,76	29,6	9731	45753

IH143

Mn_2 [Nm]	i	Pn_1 [kW]	n_2 [rpm]	Fr_1 [N]	Fr_2 [N]
7520	62,99	23,27	27,8	9778	47174
7520	71,35	20,55	24,5	9865	50129
7520	79,07	18,54	22,1	9929	52660
7520	86,43	16,96	20,2	9979	54922
7520	96,21	15,24	18,2	10034	55000
7520	104,51	14,03	16,7	10073	55000
7520	115,92	12,65	15,1	10117	55000
7520	128,47	11,41	13,6	10156	55000
7520	139,55	10,50	12,5	10185	55000
7520	154,33	9,50	11,3	10217	55000
7520	185,96	7,88	9,4	10269	55000
7520	206,08	7,11	8,5	10293	55000

IHR041

Mn_2 [Nm]	i	Pn_1 [kW]	n_2 [rpm]	Fr_1 [N]	Fr_2 [N]
26	1,44	3,46	1217,4	976	578
26	2,00	2,49	875,0	1087	659
32	2,55	2,37	687,5	1100	698
32	2,71	2,22	644,7	1117	716
41	3,11	2,52	563,6	1083	712
42	3,59	2,23	487,7	1116	753
42	4,20	1,90	416,7	1153	804
42	5,00	1,60	350,0	1188	864
47	5,50	1,61	318,2	1186	876
47	6,09	1,46	287,3	1204	914
47	7,67	1,16	228,3	1238	1000
52	8,75	1,12	200,0	1243	1000

IHR051

Mn_2 [Nm]	i	Pn_1 [kW]	n_2 [rpm]	Fr_1 [N]	Fr_2 [N]
42	1,27	6,28	1375,0	793	1455
61	1,42	8,13	1233,0	616	1405
61	2,13	5,43	823,5	874	1660
71	2,57	5,18	680,6	898	1736
80	3,17	4,77	552,6	937	1835
85	3,69	4,33	474,6	979	1927
85	4,00	4,00	437,5	1011	1994
89	4,77	3,54	366,9	1055	2117
94	5,25	3,38	333,3	1070	2175

IHR051

Mn_2 [Nm]	i	Pn_1 [kW]	n2 [rpm]	Fr1 [N]	Fr2 [N]
94	5,82	3,05	300,8	1101	2271
94	7,33	2,42	238,6	1162	2498
94	8,38	2,12	209,0	1191	2500

IHR061

Mn_2 [Nm]	i	Pn_1 [kW]	n2 [rpm]	Fr1 [N]	Fr2 [N]
94	1,34	13,22	1302,3	1940	2110
122	2,13	10,86	823,5	2124	2407
132	2,57	9,67	680,6	2218	2560
132	3,17	7,85	552,6	2360	2781
141	3,69	7,22	474,6	2410	2916
141	4,00	6,66	437,5	2454	3012
150	4,77	5,96	366,9	2509	3190
160	5,25	5,75	333,3	2525	3276
160	5,82	5,19	300,8	2569	3412
160	7,33	4,12	238,6	2653	3700
160	8,38	3,60	209,0	2693	3700

IHR081

Mn_2 [Nm]	i	Pn_1 [kW]	n2 [rpm]	Fr1 [N]	Fr2 [N]
207	1,30	30,11	1349,0	851	2272
226	1,43	29,83	1225,0	871	2321
235	1,93	22,99	906,2	1368	2597
277	2,54	20,61	688,5	1541	2804
296	3,25	17,21	538,5	1788	3054
301	3,72	15,27	470,1	1930	3214
301	4,00	14,21	437,5	2007	3308
301	4,67	12,18	375,0	2154	3516
310	5,54	10,58	316,0	2270	3740
320	6,08	9,92	287,7	2318	3860
329	7,50	8,29	233,3	2437	4000
329	8,44	7,36	207,2	2504	4000

IHR101

Mn_2 [Nm]	i	Pn_1 [kW]	n2 [rpm]	Fr1 [N]	Fr2 [N]
414	1,29	60,44	1353,8	1743	2787
451	1,41	60,44	1240,9	1743	2834

IHR101

Mn_2 [Nm]	i	Pn_1 [kW]	n2 [rpm]	Fr1 [N]	Fr2 [N]
451	2,03	41,94	861,1	2423	3282
541	2,48	41,15	705,2	2452	3427
573	3,27	33,10	534,7	2748	3785
573	3,70	29,28	473,0	2888	3976
573	4,22	25,66	414,5	3021	4191
583	4,88	22,58	359,0	3134	4423
583	5,27	20,90	332,3	3196	4559
602	6,23	18,24	280,9	3294	4843
611	7,55	15,30	231,9	3402	5000
611	8,40	13,74	208,3	3459	5000

IHR121

Mn_2 [Nm]	i	Pn_1 [kW]	n2 [rpm]	Fr1 [N]	Fr2 [N]
639	1,23	98,11	1421,9	920	3501
696	1,42	92,76	1235,3	1084	3643
696	1,81	72,74	968,8	1699	4010
733	2,00	69,26	875,0	1806	4134
771	2,48	58,72	705,6	2129	4459
771	2,95	49,28	592,3	2419	4773
790	3,14	47,46	556,8	2475	4870
799	3,58	42,17	489,0	2637	5111
799	4,12	36,66	425,0	2807	5394
818	4,80	32,19	364,6	2944	5700
827	5,21	29,97	335,6	3012	5873
846	6,25	25,57	280,0	3147	6000
940	7,70	23,06	227,3	3224	6000

IHA32

Mn ₂ [Nm]	i	Pn ₁ [kW]	n ₂ [rpm]	Fr1 [N]	Fr2 [N]
80	5,38	2,27	260,3	330	1096
80	6,52	1,87	214,8	409	1169
75	8,11	1,41	172,6	373	1257
90	10,94	1,26	128,0	441	1389
80	13,25	0,92	105,7	363	1481
80	16,49	0,74	84,9	398	1593
90	20,26	0,68	69,1	453	1706
85	24,55	0,53	57,0	386	1818
80	30,55	0,40	45,8	374	1956
90	35,44	0,39	39,5	480	2000
90	44,10	0,31	31,8	398	2000
80	48,75	0,25	28,7	398	2000
95	60,67	0,24	23,1	472	2000

IHA33

Mn ₂ [Nm]	i	Pn ₁ [kW]	n ₂ [rpm]	Fr1 [N]	Fr2 [N]
100	51,32	0,30	27,3	472	2000
100	59,65	0,26	23,5	472	2000
100	72,27	0,22	19,4	472	2000
100	89,94	0,17	15,6	472	2000
100	110,51	0,14	12,7	472	2000
100	133,88	0,12	10,5	472	2000
100	166,61	0,09	8,4	472	2000
100	193,30	0,08	7,2	472	2000
100	240,55	0,06	5,8	472	2000
100	279,07	0,06	5,0	472	2000
100	347,29	0,04	4,0	472	2000

IHA41

Mn ₂ [Nm]	i	Pn ₁ [kW]	n ₂ [rpm]	Fr1 [N]	Fr2 [N]
25	1,45	2,61	966,7	330	512
25	2,94	1,28	475,5	330	648
30	4,75	0,95	294,7	330	760
30	5,45	0,83	256,7	330	796
25	7,88	0,48	177,8	330	900
20	10,83	0,28	129,2	330	1001

IHA42

Mn_2 [Nm]	i	Pn_1 [kW]	n2 [rpm]	Fr1 [N]	Fr2 [N]
140	5,38	3,97	260,3	330	2308
140	6,52	3,28	214,8	409	2461
130	8,11	2,45	172,6	369	2647
150	10,94	2,09	128,0	424	2924
140	13,25	1,61	105,7	381	3117
140	16,49	1,30	84,9	398	3353
150	20,26	1,13	69,1	432	3591
155	24,55	0,96	57,0	422	3828
140	30,55	0,70	45,8	359	4118
150	35,44	0,65	39,5	457	4300
140	44,10	0,48	31,8	371	4300
115	48,75	0,36	28,7	416	4300
130	60,67	0,33	23,1	428	4300

IHA43

Mn_2 [Nm]	i	Pn_1 [kW]	n2 [rpm]	Fr1 [N]	Fr2 [N]
150	51,32	0,46	27,3	427	4300
150	59,65	0,39	23,5	426	4300
150	72,27	0,32	19,4	409	4300
150	89,94	0,26	15,6	398	4300
150	110,51	0,21	12,7	403	4300
150	133,88	0,17	10,5	409	4300
150	166,61	0,14	8,4	398	4300
150	193,30	0,12	7,2	427	4300
150	240,55	0,10	5,8	398	4300
150	279,07	0,08	5,0	427	4300
150	347,29	0,07	4,0	398	4300

IHA51

Mn_2 [Nm]	i	Pn_1 [kW]	n2 [rpm]	Fr1 [N]	Fr2 [N]
40	1,45	4,17	966,7	330	1410
40	2,94	2,05	475,5	330	1786
50	4,75	1,59	294,7	330	2095
50	5,45	1,39	256,7	330	2194
40	7,88	0,77	177,8	330	2479
25	10,83	0,35	129,2	330	2757

IHA52

Mn ₂ [Nm]	i	Pn ₁ [kW]	n ₂ [rpm]	Fr1 [N]	Fr2 [N]
240	5,14	7,13	272,2	550	2842
240	6,22	5,89	225,0	682	3029
240	7,73	4,74	181,0	664	3256
300	9,64	4,75	145,2	827	3505
280	11,67	3,66	120,0	636	3735
280	14,50	2,95	96,5	664	4015
300	16,91	2,71	82,8	758	4227
290	20,46	2,16	68,4	659	4504
280	25,43	1,68	55,0	641	4842
300	29,89	1,53	46,8	752	5110
300	36,17	1,27	38,7	682	5445
280	44,95	0,95	31,1	620	5855
300	49,78	0,92	28,1	798	6000
290	61,87	0,72	22,6	642	6000

IHA53

Mn ₂ [Nm]	i	Pn ₁ [kW]	n ₂ [rpm]	Fr1 [N]	Fr2 [N]
300	49,80	0,94	28,1	330	6000
300	60,25	0,78	23,2	409	6000
300	74,88	0,62	18,7	398	6000
300	88,02	0,53	15,9	421	6000
300	111,61	0,42	12,5	390	6000
300	138,71	0,34	10,1	398	6000
300	163,05	0,29	8,6	421	6000
300	200,27	0,23	7,0	403	6000
300	235,41	0,20	6,0	421	6000
300	284,81	0,16	4,9	409	6000
300	353,98	0,13	4,0	398	6000

IHA61

Mn ₂ [Nm]	i	Pn ₁ [kW]	n ₂ [rpm]	Fr1 [N]	Fr2 [N]
90	1,33	10,20	1050,0	550	2053
90	2,50	5,44	560,0	550	2531
110	4,38	3,79	319,3	550	3053
90	7,75	1,76	180,7	550	3691
70	10,67	0,99	131,2	550	4106

IHA62

Mn ₂ [Nm]	i	Pn ₁ [kW]	n ₂ [rpm]	Fr1 [N]	Fr2 [N]
380	5,14	11,28	272,2	550	4195
380	6,22	9,33	225,0	682	4470
380	7,73	7,50	181,0	664	4806
460	9,64	7,28	145,2	801	5173
440	11,67	5,76	120,0	652	5512
420	14,50	4,42	96,5	634	5926
500	16,91	4,51	82,8	842	6238
460	20,46	3,43	68,4	627	6647
430	25,43	2,58	55,0	621	7147
450	29,89	2,30	46,8	734	7543
470	36,17	1,98	38,7	712	8000
440	44,95	1,49	31,1	621	8000
370	49,78	1,14	28,1	626	8000
440	61,87	1,09	22,6	789	8000

IHA63

Mn ₂ [Nm]	i	Pn ₁ [kW]	n ₂ [rpm]	Fr1 [N]	Fr2 [N]
480	49,80	1,50	28,1	330	8000
480	60,25	1,24	23,2	409	8000
480	74,88	1,00	18,7	398	8000
480	88,02	0,85	15,9	421	8000
480	111,61	0,67	12,5	390	8000
480	138,71	0,54	10,1	398	8000
480	163,05	0,46	8,6	421	8000
480	200,27	0,37	7,0	403	8000
480	235,41	0,32	6,0	421	8000
480	284,81	0,26	4,9	409	8000
480	353,98	0,21	4,0	398	8000

IH032

Mn ₂ [Nm]	i	Pn ₁ [kW]	n ₂ [rpm]	Fr1 [N]	Fr2 [N]
95	4,70	3,09	298,1	700	2996
105	6,23	2,57	224,8	817	3285
125	7,76	2,46	180,3	843	3410
130	8,87	2,24	157,9	894	3572
140	10,14	2,11	138,0	924	3694
145	11,76	1,88	119,0	975	3902
170	13,72	1,89	102,0	973	3927
170	14,66	1,77	95,5	1000	4054

IH032

Mn_2 [Nm]	i	Pn_1 [kW]	n_2 [rpm]	Fr_1 [N]	Fr_2 [N]
190	16,77	1,73	83,5	1010	4113
200	18,20	1,68	76,9	1021	4178
200	19,90	1,53	70,4	1054	4366
200	22,68	1,35	61,7	1097	4654
200	23,83	1,28	58,7	1112	4766
200	26,39	1,16	53,0	1140	5003
200	29,70	1,03	47,1	1169	5287
200	32,89	0,93	42,6	1192	5500
200	37,92	0,81	36,9	1220	5500
200	41,40	0,74	33,8	1236	5500
200	47,25	0,65	29,6	1257	5500

IH033

Mn_2 [Nm]	i	Pn_1 [kW]	n_2 [rpm]	Fr_1 [N]	Fr_2 [N]
200	53,59	0,58	26,1	1274	5500
200	66,78	0,47	21,0	1300	5500
200	74,84	0,42	18,7	1311	5500
200	99,27	0,31	14,1	1334	5500
200	108,05	0,29	13,0	1339	5500
200	123,71	0,25	11,3	1348	5500
200	143,33	0,22	9,8	1355	5500
200	178,61	0,17	7,8	1365	5500
200	197,17	0,16	7,1	1369	5500
200	245,70	0,13	5,7	1375	5500

IH042

Mn_2 [Nm]	i	Pn_1 [kW]	n_2 [rpm]	Fr_1 [N]	Fr_2 [N]
160	5,46	4,47	256,3	434	3883
160	7,19	3,40	194,8	673	4382
210	8,91	3,60	157,1	628	4391
240	10,31	3,55	135,7	638	4449
250	11,80	3,24	118,6	709	4661
250	13,57	2,81	103,2	803	4983
250	15,96	2,39	87,7	897	5374
250	19,00	2,01	73,7	982	5820
250	21,00	1,82	66,7	1024	6088
260	23,15	1,72	60,5	1047	6274
260	26,04	1,52	53,8	1089	6600
280	27,50	1,55	50,9	1083	6600

IH042

Mn_2 [Nm]	i	Pn_1 [kW]	n_2 [rpm]	Fr_1 [N]	Fr_2 [N]
280	30,45	1,40	46,0	1116	6600
280	34,10	1,25	41,1	1150	6600
280	37,76	1,13	37,1	1177	6600
280	43,75	0,98	32,0	1211	6600
280	47,53	0,90	29,4	1228	6600
280	54,25	0,79	25,8	1253	6600

IH043

Mn_2 [Nm]	i	Pn_1 [kW]	n_2 [rpm]	Fr_1 [N]	Fr_2 [N]
300	61,83	0,76	22,6	1264	6600
300	76,67	0,61	18,3	1296	6600
300	87,05	0,54	16,1	1311	6600
300	114,55	0,41	12,2	1340	6600
300	125,69	0,37	11,1	1347	6600
300	142,04	0,33	9,9	1357	6600
300	165,38	0,28	8,5	1367	6600
300	205,07	0,23	6,8	1379	6600
300	227,50	0,21	6,2	1384	6600
300	282,10	0,17	5,0	1392	6600

IH052

Mn_2 [Nm]	i	Pn_1 [kW]	n_2 [rpm]	Fr_1 [N]	Fr_2 [N]
260	5,73	6,93	244,4	259	4808
290	6,89	6,42	203,1	343	5024
340	8,53	6,09	164,2	398	5202
370	9,56	5,91	146,4	428	5292
390	11,51	5,17	121,6	548	5654
430	14,24	4,61	98,3	641	5993
450	16,59	4,14	84,4	718	6324
460	18,00	3,90	77,8	757	6513
460	19,97	3,52	70,1	821	6852
470	21,67	3,31	64,6	854	7058
470	24,71	2,90	56,7	921	7514
490	26,18	2,86	53,5	929	7588
490	28,44	2,63	49,2	966	7892
490	31,52	2,37	44,4	1008	8000
490	33,00	2,27	42,4	1026	8000
490	38,98	1,92	35,9	1083	8000
490	45,36	1,65	30,9	1127	8000

IH052

Mn ₂ [Nm]	i	Pn ₁ [kW]	n ₂ [rpm]	Fr1 [N]	Fr2 [N]
490	49,13	1,52	28,5	1148	8000
490	56,11	1,33	24,9	1179	8000

IH053

Mn ₂ [Nm]	i	Pn ₁ [kW]	n ₂ [rpm]	Fr1 [N]	Fr2 [N]
500	58,81	1,33	23,8	1185	8000
500	72,75	1,07	19,2	1226	8000
500	90,51	0,86	15,5	1260	8000
500	108,95	0,72	12,8	1283	8000
500	134,76	0,58	10,4	1305	8000
500	157,29	0,50	8,9	1319	8000
500	194,56	0,40	7,2	1334	8000
500	216,38	0,36	6,5	1340	8000
500	267,65	0,29	5,2	1352	8000

IH062

Mn ₂ [Nm]	i	Pn ₁ [kW]	n ₂ [rpm]	Fr1 [N]	Fr2 [N]
500	5,38	14,21	260,5	853	7772
550	5,93	14,15	235,9	860	7839
550	7,39	11,36	189,4	1250	8677
600	8,50	10,78	164,7	1332	8953
600	9,39	9,76	149,2	1475	9371
650	11,69	8,49	119,8	1652	10056
700	12,67	8,44	110,5	1660	10141
700	14,75	7,25	94,9	1827	10881
800	16,29	7,50	86,0	1791	10801
830	17,67	7,17	79,2	1837	11051
850	20,28	6,40	69,0	1946	11682
850	23,27	5,58	60,2	2061	12000
850	25,70	5,05	54,5	2134	12000
800	29,33	4,16	47,7	2259	12000
850	32,00	4,06	43,8	2274	12000
800	36,99	3,30	37,9	2379	12000
850	40,33	3,22	34,7	2391	12000
850	46,06	2,82	30,4	2447	12000

IH063

Mn_2 [Nm]	i	Pn_1 [kW]	n_2 [rpm]	Fr_1 [N]	Fr_2 [N]
850	49,45	2,68	28,3	2474	12000
850	54,61	2,43	25,6	2509	12000
850	68,00	1,95	20,6	2574	12000
850	85,82	1,54	16,3	2630	12000
850	94,76	1,40	14,8	2650	12000
850	118,00	1,12	11,9	2688	12000
850	135,40	0,98	10,3	2707	12000
850	149,51	0,89	9,4	2720	12000
850	170,67	0,78	8,2	2735	12000
850	186,18	0,71	7,5	2744	12000
850	215,21	0,62	6,5	2757	12000
850	234,67	0,56	6,0	2764	12000
850	268,00	0,49	5,2	2774	12000

IH082

Mn_2 [Nm]	i	Pn_1 [kW]	n_2 [rpm]	Fr_1 [N]	Fr_2 [N]
700	5,39	19,84	259,8	816	9756
700	5,95	17,98	235,4	1021	10188
800	7,39	16,52	189,3	1182	10739
800	8,02	15,23	174,5	1325	11135
900	8,85	15,53	158,2	1292	11171
1100	11,01	15,26	127,2	1321	11409
1400	13,50	15,84	103,7	1258	11195
1500	14,90	15,38	94,0	1308	11324
1500	16,62	13,79	84,3	1484	11998
1500	18,53	12,36	75,6	1641	12695
1600	19,38	12,60	72,2	1615	12535
1600	21,39	11,42	65,5	1745	13197
1600	22,80	10,72	61,4	1824	13639
1600	26,60	9,19	52,6	1993	14744
1600	27,88	8,76	50,2	2040	15093
1600	31,15	7,84	44,9	2141	15937
1600	34,38	7,11	40,7	2222	16712
1600	38,70	6,31	36,2	2310	17681
1600	42,75	5,72	32,8	2376	18000
1600	48,13	5,08	29,1	2447	18000

IH083

Mn ₂ [Nm]	i	Pn ₁ [kW]	n ₂ [rpm]	Fr1 [N]	Fr2 [N]
1600	56,53	4,41	24,8	2530	18000
1800	71,48	3,93	19,6	2583	18000
1800	78,87	3,56	17,8	2623	18000
1800	85,56	3,28	16,4	2653	18000
1800	98,09	2,86	14,3	2698	18000
1800	112,78	2,49	12,4	2739	18000
1800	124,44	2,26	11,2	2764	18000
1800	142,15	1,97	9,8	2794	18000
1800	154,76	1,81	9,1	2812	18000
1800	162,35	1,73	8,6	2821	18000
1800	179,13	1,57	7,8	2838	18000
1800	195,07	1,44	7,2	2852	18000
1800	222,78	1,26	6,3	2872	18000

IH102

Mn ₂ [Nm]	i	Pn ₁ [kW]	n ₂ [rpm]	Fr1 [N]	Fr2 [N]
1800	5,26	52,23	266,0	1731	10378
2000	6,36	48,05	220,3	1919	10737
2300	7,05	49,81	198,6	1840	10244
2500	8,27	46,14	169,2	2006	10525
2800	9,99	42,79	140,1	2157	10686
3000	11,09	41,33	126,3	2223	10677
3100	13,32	35,53	105,1	2486	11693
3200	16,09	30,37	87,0	2719	12836
3200	17,85	27,37	78,4	2854	13715
3200	19,85	24,62	70,5	2979	14645
3200	21,44	22,79	65,3	3061	15343
3300	23,97	21,02	58,4	3141	16003
3300	25,89	19,46	54,1	3212	16747
3300	28,73	17,54	48,7	3299	17778
3200	30,72	15,91	45,6	3372	18842
3200	34,20	14,29	40,9	3446	19969
2800	38,45	11,12	36,4	3589	22000
3300	41,30	12,20	33,9	3540	21674
3300	45,82	11,00	30,6	3594	22000
3300	51,52	9,78	27,2	3649	22000

IH103

Mn_2 [Nm]	i	Pn_1 [kW]	n_2 [rpm]	Fr_1 [N]	Fr_2 [N]
3500	55,47	9,84	25,2	3656	22000
3500	69,69	7,83	20,1	3745	22000
3500	79,82	6,84	17,5	3789	22000
3500	84,16	6,49	16,6	3804	22000
3500	93,36	5,85	15,0	3833	22000
3500	100,07	5,45	14,0	3850	22000
3500	120,84	4,52	11,6	3892	22000
3500	134,06	4,07	10,4	3911	22000
3500	143,42	3,81	9,8	3923	22000
3500	160,82	3,39	8,7	3941	22000
3500	181,07	3,01	7,7	3958	22000
3500	194,21	2,81	7,2	3967	22000
3500	215,45	2,53	6,5	3979	22000
3600	242,59	2,31	5,8	3989	22000

IH122

Mn_2 [Nm]	i	Pn_1 [kW]	n_2 [rpm]	Fr_1 [N]	Fr_2 [N]
3000	5,27	86,85	265,4	778	15066
3200	5,78	84,61	242,4	862	15180
3600	7,05	77,99	198,6	1110	15643
3700	7,74	72,98	180,8	1297	16186
3800	8,48	68,46	165,2	1467	16726
4000	10,35	59,04	135,3	1819	18071
4400	12,66	53,06	110,6	2043	18939
4600	13,86	50,67	101,0	2132	19311
4800	16,92	43,32	82,7	2408	21011
5000	19,32	39,52	72,5	2550	22015
5000	20,57	37,12	68,1	2640	22820
5000	22,52	33,90	62,2	2760	24014
5000	24,47	31,21	57,2	2861	25137
5000	27,49	27,77	50,9	2989	26770
5000	29,86	25,57	46,9	3072	27970
5000	33,00	23,14	42,4	3163	29461
5000	36,13	21,13	38,8	3238	30000
5000	44,10	17,31	31,8	3381	30000

IH123

Mn_2 [Nm]	i	Pn_1 [kW]	n_2 [rpm]	Fr_1 [N]	Fr_2 [N]
5000	45,77	17,04	30,6	3405	30000

IH123

Mn ₂ [Nm]	i	Pn ₁ [kW]	n ₂ [rpm]	Fr1 [N]	Fr2 [N]
5000	55,87	13,96	25,1	3518	30000
5000	67,32	11,58	20,8	3605	30000
5000	73,71	10,58	19,0	3641	30000
5000	83,34	9,36	16,8	3686	30000
5000	89,97	8,67	15,6	3711	30000
5000	100,29	7,78	14,0	3744	30000
5000	108,34	7,20	12,9	3765	30000
5000	118,62	6,57	11,8	3788	30000
5000	128,18	6,08	10,9	3806	30000
5000	144,79	5,39	9,7	3832	30000
5000	155,22	5,02	9,0	3845	30000
5000	172,80	4,51	8,1	3864	30000
5000	189,19	4,12	7,4	3878	30000
5000	207,43	3,76	6,8	3891	30000
5000	230,92	3,38	6,1	3905	30000

IH142

Mn ₂ [Nm]	i	Pn ₁ [kW]	n ₂ [rpm]	Fr1 [N]	Fr2 [N]
4600	5,27	133,18	265,4	5102	19072
4900	6,36	117,74	220,3	5730	20279
5000	7,04	108,41	198,8	6109	21198
5300	7,84	103,19	178,5	6321	21620
6500	9,45	105,04	148,2	6247	20432
7200	10,47	104,98	133,7	6249	19728
7300	13,07	85,28	107,1	7050	22593
7800	15,75	75,63	88,9	7443	23946
7900	17,45	69,11	80,2	7708	25294
8000	20,04	60,95	69,8	8040	27303
8000	24,15	50,59	58,0	8462	30588
8000	26,76	45,65	52,3	8663	32488
8000	32,24	37,89	43,4	8978	36102
8000	38,85	31,45	36,0	9240	39950
8000	43,05	28,37	32,5	9365	42176

IH143

Mn ₂ [Nm]	i	Pn ₁ [kW]	n ₂ [rpm]	Fr1 [N]	Fr2 [N]
8000	48,35	25,81	29,0	9492	44781
8000	53,53	23,31	26,1	9591	47153
8000	59,22	21,07	23,6	9680	49587

IH143

Mn_2 [Nm]	i	Pn_1 [kW]	n_2 [rpm]	Fr_1 [N]	Fr_2 [N]
8000	62,99	19,81	22,2	9731	51117
8000	71,35	17,49	19,6	9823	54301
8000	79,07	15,78	17,7	9891	55000
8000	86,43	14,43	16,2	9945	55000
8000	96,21	12,97	14,6	10003	55000
8000	104,51	11,94	13,4	10044	55000
8000	115,92	10,76	12,1	10091	55000
8000	128,47	9,71	10,9	10133	55000
8000	139,55	8,94	10,0	10164	55000
8000	154,33	8,08	9,1	10198	55000
8000	185,96	6,71	7,5	10252	55000
8000	206,08	6,05	6,8	10279	55000

IHR041

Mn_2 [Nm]	i	Pn_1 [kW]	n_2 [rpm]	Fr_1 [N]	Fr_2 [N]
28	1,44	2,94	973,9	951	624
28	2,00	2,12	700,0	1069	711
34	2,55	2,02	550,0	1082	754
34	2,71	1,89	515,8	1100	774
44	3,11	2,14	450,9	1065	770
45	3,59	1,90	390,2	1100	813
45	4,20	1,62	333,3	1139	869
45	5,00	1,36	280,0	1176	933
50	5,50	1,37	254,6	1174	947
50	6,09	1,24	229,8	1193	988
50	7,67	0,99	182,6	1230	1000
55	8,75	0,95	160,0	1235	1000

IHR051

Mn_2 [Nm]	i	Pn_1 [kW]	n_2 [rpm]	Fr_1 [N]	Fr_2 [N]
45	1,27	5,34	1100,0	754	1570
65	1,42	6,92	986,4	566	1518
65	2,13	4,62	658,8	841	1793
75	2,57	4,41	544,4	866	1876
85	3,17	4,06	442,1	908	1983
90	3,69	3,69	379,7	952	2083
90	4,00	3,40	350,0	987	2155
95	4,77	3,01	293,6	1033	2288
100	5,25	2,88	266,7	1049	2351

IHR051

Mn_2 [Nm]	i	Pn_1 [kW]	n2 [rpm]	Fr1 [N]	Fr2 [N]
100	5,82	2,60	240,6	1083	2454
100	7,33	2,06	190,9	1147	2500
100	8,38	1,80	167,2	1178	2500

IHR061

Mn_2 [Nm]	i	Pn_1 [kW]	n2 [rpm]	Fr1 [N]	Fr2 [N]
100	1,34	11,25	1041,9	1874	2277
130	2,13	9,25	658,8	2070	2600
140	2,57	8,23	544,4	2170	2764
140	3,17	6,68	442,1	2321	3003
150	3,69	6,15	379,7	2374	3149
150	4,00	5,67	350,0	2421	3252
160	4,77	5,07	293,6	2479	3444
170	5,25	4,89	266,7	2496	3537
170	5,82	4,42	240,6	2543	3684
170	7,33	3,50	190,9	2632	3700
170	8,38	3,07	167,2	2675	3700

IHR081

Mn_2 [Nm]	i	Pn_1 [kW]	n2 [rpm]	Fr1 [N]	Fr2 [N]
220	1,30	25,63	1079,2	711	2454
240	1,43	25,39	980,0	733	2507
250	1,93	19,57	725,0	1262	2804
295	2,54	17,54	550,8	1446	3029
315	3,25	14,65	430,8	1708	3298
320	3,72	12,99	376,1	1859	3471
320	4,00	12,09	350,0	1941	3572
320	4,67	10,36	300,0	2098	3796
330	5,54	9,00	252,8	2221	4000
340	6,08	8,45	230,1	2272	4000
350	7,50	7,05	186,7	2398	4000
350	8,44	6,26	165,8	2470	4000

IHR101

Mn_2 [Nm]	i	Pn_1 [kW]	n2 [rpm]	Fr1 [N]	Fr2 [N]
440	1,29	51,44	1083,0	1601	3010
480	1,41	51,44	992,7	1601	3061

IHR101

Mn_2 [Nm]	i	Pn_1 [kW]	n_2 [rpm]	Fr_1 [N]	Fr_2 [N]
480	2,03	35,70	688,9	2324	3544
575	2,48	35,02	564,2	2356	3702
610	3,27	28,17	427,8	2670	4088
610	3,70	24,92	378,4	2820	4294
610	4,22	21,83	331,6	2961	4525
620	4,88	19,22	287,2	3081	4775
620	5,27	17,79	265,8	3147	4922
640	6,23	15,52	224,7	3251	5000
650	7,55	13,02	185,5	3366	5000
650	8,40	11,69	166,7	3427	5000

IHR121

Mn_2 [Nm]	i	Pn_1 [kW]	n_2 [rpm]	Fr_1 [N]	Fr_2 [N]
680	1,23	83,50	1137,5	727	3780
740	1,42	78,94	988,2	902	3934
740	1,81	61,91	775,0	1556	4329
780	2,00	58,94	700,0	1670	4463
820	2,48	49,97	564,5	2014	4813
820	2,95	41,94	473,9	2322	5152
840	3,14	40,39	445,4	2382	5257
850	3,58	35,89	391,2	2555	5517
850	4,12	31,20	340,0	2735	5821
870	4,80	27,39	291,7	2881	6000
880	5,21	25,51	268,5	2953	6000
900	6,25	21,76	224,0	3097	6000
1000	7,70	19,63	181,8	3179	6000

IHA32

Mn ₂ [Nm]	i	Pn ₁ [kW]	n ₂ [rpm]	Fr1 [N]	Fr2 [N]
82	5,38	1,88	211,9	330	1174
82	6,52	1,55	174,9	409	1252
77	8,11	1,17	140,6	373	1346
92	10,94	1,04	104,2	441	1487
82	13,25	0,76	86,0	363	1586
82	16,49	0,61	69,1	398	1705
92	20,26	0,56	56,3	453	1827
87	24,55	0,44	46,4	386	1947
82	30,55	0,33	37,3	374	2000
92	35,44	0,32	32,2	480	2000
92	44,10	0,26	25,9	398	2000
82	48,75	0,21	23,4	398	2000
97	60,67	0,20	18,8	472	2000

IHA33

Mn ₂ [Nm]	i	Pn ₁ [kW]	n ₂ [rpm]	Fr1 [N]	Fr2 [N]
103	51,32	0,25	22,2	472	2000
103	59,65	0,22	19,1	472	2000
103	72,27	0,18	15,8	472	2000
103	89,94	0,14	12,7	472	2000
103	110,51	0,12	10,3	472	2000
103	133,88	0,10	8,5	472	2000
103	166,61	0,08	6,8	472	2000
103	193,30	0,07	5,9	472	2000
103	240,55	0,05	4,7	472	2000
103	279,07	0,05	4,1	472	2000
103	347,29	0,04	3,3	472	2000

IHA41

Mn ₂ [Nm]	i	Pn ₁ [kW]	n ₂ [rpm]	Fr1 [N]	Fr2 [N]
26	1,45	2,16	787,1	330	548
26	2,94	1,06	387,2	330	694
31	4,75	0,79	240,0	330	814
31	5,45	0,69	209,0	330	852
26	7,88	0,40	144,8	330	963
21	10,83	0,23	105,2	330	1072

IHA42

Mn_2 [Nm]	i	Pn_1 [kW]	n2 [rpm]	Fr1 [N]	Fr2 [N]
144	5,38	3,28	211,9	330	2472
144	6,52	2,71	174,9	409	2635
133	8,11	2,02	140,6	369	2834
154	10,94	1,73	104,2	424	3131
144	13,25	1,33	86,0	381	3338
144	16,49	1,07	69,1	398	3590
154	20,26	0,93	56,3	432	3846
159	24,55	0,80	46,4	422	4100
144	30,55	0,58	37,3	359	4300
154	35,44	0,53	32,2	457	4300
144	44,10	0,40	25,9	371	4300
118	48,75	0,30	23,4	416	4300
133	60,67	0,27	18,8	428	4300

IHA43

Mn_2 [Nm]	i	Pn_1 [kW]	n2 [rpm]	Fr1 [N]	Fr2 [N]
154	51,32	0,38	22,2	427	4300
154	59,65	0,32	19,1	426	4300
154	72,27	0,27	15,8	409	4300
154	89,94	0,21	12,7	398	4300
154	110,51	0,17	10,3	403	4300
154	133,88	0,14	8,5	409	4300
154	166,61	0,12	6,8	398	4300
154	193,30	0,10	5,9	427	4300
154	240,55	0,08	4,7	398	4300
154	279,07	0,07	4,1	427	4300
154	347,29	0,06	3,3	398	4300

IHA51

Mn_2 [Nm]	i	Pn_1 [kW]	n2 [rpm]	Fr1 [N]	Fr2 [N]
41	1,45	3,45	787,1	330	1510
41	2,94	1,70	387,2	330	1913
51	4,75	1,31	240,0	330	2243
51	5,45	1,14	209,0	330	2349
41	7,88	0,63	144,8	330	2655
26	10,83	0,29	105,2	330	2953

IHA52

Mn ₂ [Nm]	i	Pn ₁ [kW]	n ₂ [rpm]	Fr1 [N]	Fr2 [N]
246	5,14	5,89	221,7	550	3044
246	6,22	4,87	183,2	682	3243
246	7,73	3,92	147,4	664	3487
308	9,64	3,93	118,2	827	3753
287	11,67	3,03	97,7	636	3999
287	14,50	2,44	78,6	664	4300
308	16,91	2,24	67,4	758	4526
297	20,46	1,79	55,7	659	4823
287	25,43	1,39	44,8	641	5185
308	29,89	1,27	38,1	752	5472
308	36,17	1,05	31,5	682	5831
287	44,95	0,79	25,4	620	6000
308	49,78	0,76	22,9	798	6000
297	61,87	0,59	18,4	642	6000

IHA53

Mn ₂ [Nm]	i	Pn ₁ [kW]	n ₂ [rpm]	Fr1 [N]	Fr2 [N]
308	49,80	0,78	22,9	330	6000
308	60,25	0,64	18,9	409	6000
308	74,88	0,52	15,2	398	6000
308	88,02	0,44	12,9	421	6000
308	111,61	0,35	10,2	390	6000
308	138,71	0,28	8,2	398	6000
308	163,05	0,24	7,0	421	6000
308	200,27	0,19	5,7	403	6000
308	235,41	0,16	4,8	421	6000
308	284,81	0,14	4,0	409	6000
308	353,98	0,11	3,2	398	6000

IHA61

Mn ₂ [Nm]	i	Pn ₁ [kW]	n ₂ [rpm]	Fr1 [N]	Fr2 [N]
92	1,33	8,43	855,0	550	2198
92	2,50	4,50	456,0	550	2711
113	4,38	3,13	260,0	550	3269
92	7,75	1,45	147,1	550	3953
72	10,67	0,82	106,9	550	4397

IHA62

Mn ₂ [Nm]	i	Pn ₁ [kW]	n ₂ [rpm]	Fr1 [N]	Fr2 [N]
390	5,14	9,32	221,7	550	4492
390	6,22	7,71	183,2	682	4787
390	7,73	6,20	147,4	664	5147
472	9,64	6,02	118,2	801	5540
451	11,67	4,76	97,7	652	5903
431	14,50	3,66	78,6	634	6346
513	16,91	3,73	67,4	842	6681
472	20,46	2,84	55,7	627	7119
441	25,43	2,13	44,8	621	7654
461	29,89	1,90	38,1	734	8000
482	36,17	1,64	31,5	712	8000
451	44,95	1,24	25,4	621	8000
379	49,78	0,94	22,9	626	8000
451	61,87	0,90	18,4	789	8000

IHA63

Mn ₂ [Nm]	i	Pn ₁ [kW]	n ₂ [rpm]	Fr1 [N]	Fr2 [N]
492	49,80	1,24	22,9	330	8000
492	60,25	1,03	18,9	409	8000
492	74,88	0,83	15,2	398	8000
492	88,02	0,70	12,9	421	8000
492	111,61	0,55	10,2	390	8000
492	138,71	0,45	8,2	398	8000
492	163,05	0,38	7,0	421	8000
492	200,27	0,31	5,7	403	8000
492	235,41	0,26	4,8	421	8000
492	284,81	0,22	4,0	409	8000
492	353,98	0,17	3,2	398	8000

IH032

Mn ₂ [Nm]	i	Pn ₁ [kW]	n ₂ [rpm]	Fr1 [N]	Fr2 [N]
97	4,70	2,55	242,8	682	3253
108	6,23	2,13	183,0	803	3568
128	7,76	2,03	146,9	829	3712
133	8,87	1,85	128,6	881	3887
144	10,14	1,74	112,4	912	4022
149	11,76	1,56	96,9	964	4248
174	13,72	1,56	83,1	962	4287
174	14,66	1,46	77,8	990	4422

IH032

Mn_2 [Nm]	i	Pn_1 [kW]	n_2 [rpm]	Fr_1 [N]	Fr_2 [N]
195	16,77	1,43	68,0	1000	4495
205	18,20	1,39	62,6	1012	4569
205	19,90	1,27	57,3	1045	4771
205	22,68	1,11	50,3	1089	5079
205	23,83	1,06	47,8	1105	5199
205	26,39	0,96	43,2	1134	5453
205	29,70	0,85	38,4	1164	5500
205	32,89	0,77	34,7	1187	5500
205	37,92	0,67	30,1	1216	5500
205	41,40	0,61	27,5	1232	5500
205	47,25	0,53	24,1	1253	5500

IH033

Mn_2 [Nm]	i	Pn_1 [kW]	n_2 [rpm]	Fr_1 [N]	Fr_2 [N]
205	53,59	0,48	21,3	1271	5500
205	66,78	0,39	17,1	1297	5500
205	74,84	0,34	15,2	1308	5500
205	99,27	0,26	11,5	1332	5500
205	108,05	0,24	10,6	1338	5500
205	123,71	0,21	9,2	1346	5500
205	143,33	0,18	8,0	1354	5500
205	178,61	0,14	6,4	1364	5500
205	197,17	0,13	5,8	1368	5500
205	245,70	0,10	4,6	1375	5500

IH042

Mn_2 [Nm]	i	Pn_1 [kW]	n_2 [rpm]	Fr_1 [N]	Fr_2 [N]
164	5,46	3,70	208,7	409	4219
164	7,19	2,81	158,6	654	4753
215	8,91	2,97	127,9	608	4783
246	10,31	2,94	110,5	619	4855
256	11,80	2,67	96,6	691	5087
256	13,57	2,32	84,0	787	5431
256	15,96	1,98	71,4	883	5850
256	19,00	1,66	60,0	971	6328
256	21,00	1,50	54,3	1014	6600
267	23,15	1,42	49,2	1038	6600
267	26,04	1,26	43,8	1081	6600
287	27,50	1,28	41,5	1074	6600

IH042

Mn ₂ [Nm]	i	Pn ₁ [kW]	n ₂ [rpm]	Fr1 [N]	Fr2 [N]
287	30,45	1,16	37,4	1109	6600
287	34,10	1,04	33,4	1143	6600
287	37,76	0,94	30,2	1170	6600
287	43,75	0,81	26,1	1206	6600
287	47,53	0,74	24,0	1223	6600
287	54,25	0,65	21,0	1249	6600

IH043

Mn ₂ [Nm]	i	Pn ₁ [kW]	n ₂ [rpm]	Fr1 [N]	Fr2 [N]
308	61,83	0,63	18,4	1260	6600
308	76,67	0,50	14,9	1292	6600
308	87,05	0,44	13,1	1309	6600
308	114,55	0,34	9,9	1337	6600
308	125,69	0,31	9,1	1345	6600
308	142,04	0,27	8,0	1355	6600
308	165,38	0,23	6,9	1365	6600
308	205,07	0,19	5,6	1378	6600
308	227,50	0,17	5,0	1383	6600
308	282,10	0,14	4,0	1391	6600

IH052

Mn ₂ [Nm]	i	Pn ₁ [kW]	n ₂ [rpm]	Fr1 [N]	Fr2 [N]
267	5,73	5,73	199,1	231	5228
297	6,89	5,31	165,4	317	5469
349	8,53	5,03	133,7	373	5675
379	9,56	4,88	119,2	403	5781
400	11,51	4,28	99,0	527	6174
441	14,24	3,81	80,1	622	6550
461	16,59	3,42	68,7	701	6910
472	18,00	3,22	63,3	741	7116
472	19,97	2,91	57,1	806	7478
482	21,67	2,74	52,6	841	7702
482	24,71	2,40	46,1	909	8000
502	26,18	2,36	43,5	917	8000
502	28,44	2,17	40,1	955	8000
502	31,52	1,96	36,2	999	8000
502	33,00	1,87	34,5	1017	8000
502	38,98	1,59	29,2	1075	8000
502	45,36	1,36	25,1	1121	8000

IH052

Mn ₂ [Nm]	i	Pn ₁ [kW]	n ₂ [rpm]	Fr1 [N]	Fr2 [N]
502	49,13	1,26	23,2	1142	8000
502	56,11	1,10	20,3	1174	8000

IH053

Mn ₂ [Nm]	i	Pn ₁ [kW]	n ₂ [rpm]	Fr1 [N]	Fr2 [N]
513	58,81	1,10	19,4	1180	8000
513	72,75	0,89	15,7	1222	8000
513	90,51	0,71	12,6	1256	8000
513	108,95	0,59	10,5	1280	8000
513	134,76	0,48	8,5	1303	8000
513	157,29	0,41	7,2	1317	8000
513	194,56	0,33	5,9	1332	8000
513	216,38	0,30	5,3	1339	8000
513	267,65	0,24	4,3	1350	8000

IH062

Mn ₂ [Nm]	i	Pn ₁ [kW]	n ₂ [rpm]	Fr1 [N]	Fr2 [N]
513	5,38	11,74	212,1	803	8456
564	5,93	11,69	192,1	811	8542
564	7,39	9,39	154,2	1211	9439
615	8,50	8,91	134,1	1295	9748
615	9,39	8,07	121,5	1441	10196
666	11,69	7,02	97,5	1623	10942
718	12,67	6,97	90,0	1630	11047
718	14,75	5,99	77,3	1802	11839
820	16,29	6,20	70,0	1765	11780
851	17,67	5,93	64,5	1812	12000
871	20,28	5,29	56,2	1923	12000
871	23,27	4,61	49,0	2041	12000
871	25,70	4,17	44,4	2117	12000
820	29,33	3,44	38,9	2244	12000
871	32,00	3,35	35,6	2259	12000
820	36,99	2,73	30,8	2368	12000
871	40,33	2,66	28,3	2380	12000
871	46,06	2,33	24,8	2437	12000

IH063

Mn_2 [Nm]	i	Pn_1 [kW]	n_2 [rpm]	Fr_1 [N]	Fr_2 [N]
871	49,45	2,22	23,1	2465	12000
871	54,61	2,01	20,9	2500	12000
871	68,00	1,61	16,8	2568	12000
871	85,82	1,28	13,3	2625	12000
871	94,76	1,16	12,0	2645	12000
871	118,00	0,93	9,7	2684	12000
871	135,40	0,81	8,4	2704	12000
871	149,51	0,73	7,6	2717	12000
871	170,67	0,64	6,7	2732	12000
871	186,18	0,59	6,1	2742	12000
871	215,21	0,51	5,3	2755	12000
871	234,67	0,47	4,9	2762	12000
871	268,00	0,41	4,2	2772	12000

IH082

Mn_2 [Nm]	i	Pn_1 [kW]	n_2 [rpm]	Fr_1 [N]	Fr_2 [N]
718	5,39	16,39	211,6	761	10594
718	5,95	14,86	191,7	971	11056
820	7,39	13,65	154,2	1136	11669
820	8,02	12,59	142,1	1283	12092
923	8,85	12,83	128,8	1249	12152
1128	11,01	12,61	103,6	1279	12448
1435	13,50	13,09	84,4	1214	12282
1538	14,90	12,71	76,5	1266	12441
1538	16,62	11,39	68,6	1446	13164
1538	18,53	10,22	61,5	1607	13909
1640	19,38	10,42	58,8	1580	13760
1640	21,39	9,44	53,3	1714	14468
1640	22,80	8,86	50,0	1794	14941
1640	26,60	7,59	42,9	1967	16125
1640	27,88	7,24	40,9	2015	16498
1640	31,15	6,48	36,6	2120	17402
1640	34,38	5,87	33,2	2203	18000
1640	38,70	5,22	29,4	2293	18000
1640	42,75	4,72	26,7	2361	18000
1640	48,13	4,19	23,7	2433	18000

IH083

Mn ₂ [Nm]	i	Pn ₁ [kW]	n ₂ [rpm]	Fr1 [N]	Fr2 [N]
1640	56,53	3,65	20,2	2518	18000
1845	71,48	3,25	15,9	2572	18000
1845	78,87	2,94	14,4	2613	18000
1845	85,56	2,71	13,3	2644	18000
1845	98,09	2,37	11,6	2691	18000
1845	112,78	2,06	10,1	2732	18000
1845	124,44	1,86	9,2	2758	18000
1845	142,15	1,63	8,0	2789	18000
1845	154,76	1,50	7,4	2807	18000
1845	162,35	1,43	7,0	2816	18000
1845	179,13	1,30	6,4	2834	18000
1845	195,07	1,19	5,8	2848	18000
1845	222,78	1,04	5,1	2868	18000

IH102

Mn ₂ [Nm]	i	Pn ₁ [kW]	n ₂ [rpm]	Fr1 [N]	Fr2 [N]
1845	5,26	43,16	216,6	1672	11427
2050	6,36	39,71	179,4	1865	11846
2358	7,05	41,16	161,7	1784	11371
2563	8,27	38,13	137,8	1954	11706
2870	9,99	35,36	114,1	2109	11930
3075	11,09	34,15	102,8	2177	11956
3178	13,32	29,36	85,6	2445	13061
3280	16,09	25,10	70,8	2684	14302
3280	17,85	22,62	63,9	2823	15244
3280	19,85	20,35	57,4	2951	16239
3280	21,44	18,83	53,2	3036	16988
3383	23,97	17,37	47,6	3117	17712
3383	25,89	16,08	44,0	3190	18508
3383	28,73	14,50	39,7	3279	19612
3280	30,72	13,14	37,1	3354	20734
3280	34,20	11,81	33,3	3429	21942
2870	38,45	9,19	29,6	3576	22000
3383	41,30	10,08	27,6	3526	22000
3383	45,82	9,09	24,9	3582	22000
3383	51,52	8,08	22,1	3638	22000

IH103

Mn ₂ [Nm]	i	Pn ₁ [kW]	n ₂ [rpm]	Fr1 [N]	Fr2 [N]
3588	55,47	8,13	20,6	3645	22000
3588	69,69	6,47	16,4	3736	22000
3588	79,82	5,65	14,3	3781	22000
3588	84,16	5,36	13,6	3797	22000
3588	93,36	4,83	12,2	3826	22000
3588	100,07	4,51	11,4	3844	22000
3588	120,84	3,73	9,4	3887	22000
3588	134,06	3,36	8,5	3907	22000
3588	143,42	3,15	8,0	3919	22000
3588	160,82	2,80	7,1	3937	22000
3588	181,07	2,49	6,3	3955	22000
3588	194,21	2,32	5,9	3964	22000
3588	215,45	2,09	5,3	3977	22000
3690	242,59	1,91	4,7	3986	22000

IH122

Mn ₂ [Nm]	i	Pn ₁ [kW]	n ₂ [rpm]	Fr1 [N]	Fr2 [N]
3075	5,27	71,77	216,1	697	16577
3280	5,78	69,92	197,4	783	16729
3690	7,05	64,45	161,7	1037	17284
3793	7,74	60,31	147,2	1229	17880
3895	8,48	56,57	134,5	1402	18473
4100	10,35	48,79	110,2	1764	19943
4510	12,66	43,85	90,0	1993	20932
4715	13,86	41,87	82,2	2085	21359
4920	16,92	35,80	67,4	2367	23209
5125	19,32	32,66	59,0	2513	24314
5125	20,57	30,67	55,4	2605	25176
5125	22,52	28,01	50,6	2728	26455
5125	24,47	25,79	46,6	2832	27657
5125	27,49	22,95	41,5	2964	29406
5125	29,86	21,13	38,2	3048	30000
5125	33,00	19,12	34,5	3141	30000
5125	36,13	17,46	31,6	3218	30000
5125	44,10	14,31	25,9	3365	30000

IH123

Mn ₂ [Nm]	i	Pn ₁ [kW]	n ₂ [rpm]	Fr1 [N]	Fr2 [N]
5125	45,77	14,08	24,9	3389	30000

IH123

Mn ₂ [Nm]	i	Pn ₁ [kW]	n ₂ [rpm]	Fr1 [N]	Fr2 [N]
5125	55,87	11,53	20,4	3505	30000
5125	67,32	9,57	16,9	3594	30000
5125	73,71	8,74	15,5	3632	30000
5125	83,34	7,73	13,7	3678	30000
5125	89,97	7,16	12,7	3704	30000
5125	100,29	6,43	11,4	3737	30000
5125	108,34	5,95	10,5	3759	30000
5125	118,62	5,43	9,6	3782	30000
5125	128,18	5,03	8,9	3801	30000
5125	144,79	4,45	7,9	3827	30000
5125	155,22	4,15	7,3	3840	30000
5125	172,80	3,73	6,6	3860	30000
5125	189,19	3,41	6,0	3874	30000
5125	207,43	3,11	5,5	3888	30000
5125	230,92	2,79	4,9	3902	30000

IH142

Mn ₂ [Nm]	i	Pn ₁ [kW]	n ₂ [rpm]	Fr1 [N]	Fr2 [N]
4715	5,27	110,06	216,1	4966	21055
5023	6,36	97,30	179,4	5610	22389
5125	7,04	89,59	161,9	5999	23386
5433	7,84	85,28	145,4	6216	23880
6663	9,45	86,80	120,6	6140	22773
7380	10,47	86,76	108,8	6142	22114
7483	13,07	70,47	87,2	6963	25197
7995	15,75	62,50	72,4	7366	26714
8098	17,45	57,12	65,3	7638	28172
8200	20,04	50,37	56,9	7978	30336
8200	24,15	41,80	47,2	8410	33854
8200	26,76	37,72	42,6	8616	35889
8200	32,24	31,31	35,4	8940	39759
8200	38,85	25,99	29,3	9208	43880
8200	43,05	23,45	26,5	9337	46264

IH143

Mn ₂ [Nm]	i	Pn ₁ [kW]	n ₂ [rpm]	Fr1 [N]	Fr2 [N]
8200	48,35	21,33	23,6	9466	49054
8200	53,53	19,26	21,3	9568	51593
8200	59,22	17,41	19,2	9659	54200

IH143

Mn_2 [Nm]	i	Pn_1 [kW]	n_2 [rpm]	Fr_1 [N]	Fr_2 [N]
8200	62,99	16,37	18,1	9711	55000
8200	71,35	14,45	16,0	9806	55000
8200	79,07	13,04	14,4	9876	55000
8200	86,43	11,93	13,2	9930	55000
8200	96,21	10,72	11,8	9990	55000
8200	104,51	9,87	10,9	10032	55000
8200	115,92	8,89	9,8	10080	55000
8200	128,47	8,03	8,9	10123	55000
8200	139,55	7,39	8,2	10155	55000
8200	154,33	6,68	7,4	10190	55000
8200	185,96	5,54	6,1	10246	55000
8200	206,08	5,00	5,5	10273	55000

IHR041

Mn_2 [Nm]	i	Pn_1 [kW]	n_2 [rpm]	Fr_1 [N]	Fr_2 [N]
29	1,44	2,43	793,0	940	674
29	2,00	1,75	570,0	1061	768
35	2,55	1,67	447,9	1075	815
35	2,71	1,56	420,0	1094	836
45	3,11	1,77	367,1	1057	834
46	3,59	1,57	317,7	1093	881
46	4,20	1,34	271,4	1134	940
46	5,00	1,12	228,0	1171	1000
51	5,50	1,14	207,3	1169	1000
51	6,09	1,03	187,2	1189	1000
51	7,67	0,81	148,7	1226	1000
56	8,75	0,79	130,3	1231	1000

IHR051

Mn_2 [Nm]	i	Pn_1 [kW]	n_2 [rpm]	Fr_1 [N]	Fr_2 [N]
46	1,27	4,42	895,7	739	1694
67	1,42	5,72	803,2	545	1644
67	2,13	3,82	536,5	827	1938
77	2,57	3,64	443,3	853	2030
87	3,17	3,35	360,0	896	2147
92	3,69	3,05	309,1	941	2255
92	4,00	2,81	285,0	977	2333
97	4,77	2,49	239,0	1024	2476
103	5,25	2,38	217,1	1041	2500

IHR051

Mn_2 [Nm]	i	Pn_1 [kW]	n_2 [rpm]	Fr1 [N]	Fr2 [N]
103	5,82	2,15	195,9	1075	2500
103	7,33	1,70	155,4	1141	2500
103	8,38	1,49	136,1	1172	2500

IHR061

Mn_2 [Nm]	i	Pn_1 [kW]	n_2 [rpm]	Fr1 [N]	Fr2 [N]
103	1,34	9,29	848,4	1847	2457
133	2,13	7,64	536,5	2047	2808
144	2,57	6,80	443,3	2150	2986
144	3,17	5,52	360,0	2305	3242
154	3,69	5,08	309,1	2358	3399
154	4,00	4,68	285,0	2407	3510
164	4,77	4,19	239,0	2467	3700
174	5,25	4,04	217,1	2484	3700
174	5,82	3,65	195,9	2532	3700
174	7,33	2,90	155,4	2624	3700
174	8,38	2,54	136,1	2668	3700

IHR081

Mn_2 [Nm]	i	Pn_1 [kW]	n_2 [rpm]	Fr1 [N]	Fr2 [N]
226	1,30	21,18	878,8	653	2649
246	1,43	20,98	798,0	675	2708
256	1,93	16,17	590,4	1217	3027
302	2,54	14,50	448,5	1406	3272
323	3,25	12,10	350,8	1675	3563
328	3,72	10,74	306,3	1829	3748
328	4,00	9,99	285,0	1913	3856
328	4,67	8,56	244,3	2074	4000
338	5,54	7,44	205,8	2201	4000
349	6,08	6,98	187,4	2253	4000
359	7,50	5,83	152,0	2382	4000
359	8,44	5,18	135,0	2456	4000

IHR101

Mn_2 [Nm]	i	Pn_1 [kW]	n_2 [rpm]	Fr1 [N]	Fr2 [N]
451	1,29	42,51	881,9	1542	3251
492	1,41	42,51	808,4	1542	3309

IHR101

Mn_2 [Nm]	i	Pn_1 [kW]	n_2 [rpm]	Fr_1 [N]	Fr_2 [N]
492	2,03	29,50	561,0	2283	3825
589	2,48	28,94	459,4	2315	4001
625	3,27	23,28	348,3	2638	4417
625	3,70	20,59	308,1	2791	4637
625	4,22	18,04	270,0	2936	4885
636	4,88	15,88	233,8	3059	5000
636	5,27	14,70	216,5	3126	5000
656	6,23	12,83	183,0	3233	5000
666	7,55	10,76	151,1	3351	5000
666	8,40	9,66	135,7	3414	5000

IHR121

Mn_2 [Nm]	i	Pn_1 [kW]	n_2 [rpm]	Fr_1 [N]	Fr_2 [N]
697	1,23	69,00	926,2	647	4079
759	1,42	65,24	804,7	826	4247
759	1,81	51,16	631,1	1497	4670
800	2,00	48,71	570,0	1613	4816
841	2,48	41,29	459,7	1966	5192
841	2,95	34,66	385,9	2282	5555
861	3,14	33,38	362,7	2343	5668
871	3,58	29,66	318,5	2520	5947
871	4,12	25,78	276,9	2705	6000
892	4,80	22,64	237,5	2855	6000
902	5,21	21,08	218,6	2929	6000
923	6,25	17,98	182,4	3076	6000
1025	7,70	16,22	148,1	3160	6000

IHA32

Mn ₂ [Nm]	i	Pn ₁ [kW]	n ₂ [rpm]	Fr1 [N]	Fr2 [N]
84	5,38	1,52	167,3	330	1270
84	6,52	1,25	138,1	409	1354
79	8,11	0,94	111,0	373	1457
95	10,94	0,84	82,3	441	1609
84	13,25	0,62	67,9	363	1716
84	16,49	0,50	54,6	398	1845
95	20,26	0,45	44,4	453	1976
89	24,55	0,35	36,7	386	2000
84	30,55	0,27	29,5	374	2000
95	35,44	0,26	25,4	480	2000
95	44,10	0,21	20,4	398	2000
84	48,75	0,17	18,5	398	2000
100	60,67	0,16	14,8	472	2000

IHA33

Mn ₂ [Nm]	i	Pn ₁ [kW]	n ₂ [rpm]	Fr1 [N]	Fr2 [N]
105	51,32	0,20	17,5	472	2000
105	59,65	0,17	15,1	472	2000
105	72,27	0,14	12,4	472	2000
105	89,94	0,12	10,0	472	2000
105	110,51	0,09	8,1	472	2000
105	133,88	0,08	6,7	472	2000
105	166,61	0,06	5,4	472	2000
105	193,30	0,05	4,7	472	2000
105	240,55	0,04	3,7	472	2000
105	279,07	0,04	3,2	472	2000
105	347,29	0,03	2,6	472	2000

IHA41

Mn ₂ [Nm]	i	Pn ₁ [kW]	n ₂ [rpm]	Fr1 [N]	Fr2 [N]
26	1,45	1,74	621,4	330	593
26	2,94	0,86	305,7	330	751
32	4,75	0,64	189,5	330	881
32	5,45	0,56	165,0	330	922
26	7,88	0,32	114,3	330	1042
21	10,83	0,19	83,1	330	1100

IHA42

Mn_2 [Nm]	i	Pn_1 [kW]	n2 [rpm]	Fr1 [N]	Fr2 [N]
147	5,38	2,66	167,3	330	2674
147	6,52	2,19	138,1	409	2851
137	8,11	1,64	111,0	369	3067
158	10,94	1,40	82,3	424	3388
147	13,25	1,08	67,9	381	3612
147	16,49	0,87	54,6	398	3885
158	20,26	0,76	44,4	432	4161
163	24,55	0,64	36,7	422	4300
147	30,55	0,47	29,5	359	4300
158	35,44	0,43	25,4	457	4300
147	44,10	0,32	20,4	371	4300
121	48,75	0,24	18,5	416	4300
137	60,67	0,22	14,8	428	4300

IHA43

Mn_2 [Nm]	i	Pn_1 [kW]	n2 [rpm]	Fr1 [N]	Fr2 [N]
158	51,32	0,30	17,5	427	4300
158	59,65	0,26	15,1	426	4300
158	72,27	0,22	12,4	409	4300
158	89,94	0,17	10,0	398	4300
158	110,51	0,14	8,1	403	4300
158	133,88	0,12	6,7	409	4300
158	166,61	0,09	5,4	398	4300
158	193,30	0,08	4,7	427	4300
158	240,55	0,06	3,7	398	4300
158	279,07	0,06	3,2	427	4300
158	347,29	0,05	2,6	398	4300

IHA51

Mn_2 [Nm]	i	Pn_1 [kW]	n2 [rpm]	Fr1 [N]	Fr2 [N]
42	1,45	2,79	621,4	330	1634
42	2,94	1,37	305,7	330	2069
53	4,75	1,06	189,5	330	2427
53	5,45	0,93	165,0	330	2542
42	7,88	0,51	114,3	330	2873
26	10,83	0,23	83,1	330	3000

IHA52

Mn ₂ [Nm]	i	Pn ₁ [kW]	n ₂ [rpm]	Fr1 [N]	Fr2 [N]
252	5,14	4,76	175,0	550	3293
252	6,22	3,94	144,6	682	3509
252	7,73	3,17	116,4	664	3773
315	9,64	3,18	93,3	827	4061
294	11,67	2,45	77,1	636	4327
294	14,50	1,97	62,1	664	4652
315	16,91	1,81	53,2	758	4897
305	20,46	1,45	44,0	659	5218
294	25,43	1,12	35,4	641	5610
315	29,89	1,02	30,1	752	5921
315	36,17	0,85	24,9	682	6000
294	44,95	0,64	20,0	620	6000
315	49,78	0,62	18,1	798	6000
305	61,87	0,48	14,6	642	6000

IHA53

Mn ₂ [Nm]	i	Pn ₁ [kW]	n ₂ [rpm]	Fr1 [N]	Fr2 [N]
315	49,80	0,63	18,1	330	6000
315	60,25	0,52	14,9	409	6000
315	74,88	0,42	12,0	398	6000
315	88,02	0,36	10,2	421	6000
315	111,61	0,28	8,1	390	6000
315	138,71	0,23	6,5	398	6000
315	163,05	0,19	5,5	421	6000
315	200,27	0,16	4,5	403	6000
315	235,41	0,13	3,8	421	6000
315	284,81	0,11	3,2	409	6000
315	353,98	0,09	2,5	398	6000

IHA61

Mn ₂ [Nm]	i	Pn ₁ [kW]	n ₂ [rpm]	Fr1 [N]	Fr2 [N]
95	1,33	6,82	675,0	550	2379
95	2,50	3,64	360,0	550	2933
116	4,38	2,53	205,3	550	3537
95	7,75	1,17	116,1	550	4277
74	10,67	0,66	84,4	550	4500

IHA62

Mn ₂ [Nm]	i	Pn ₁ [kW]	n ₂ [rpm]	Fr1 [N]	Fr2 [N]
399	5,14	7,54	175,0	550	4861
399	6,22	6,23	144,6	682	5179
399	7,73	5,01	116,4	664	5569
483	9,64	4,87	93,3	801	5994
462	11,67	3,85	77,1	652	6387
441	14,50	2,96	62,1	634	6867
525	16,91	3,02	53,2	842	7228
483	20,46	2,29	44,0	627	7702
452	25,43	1,73	35,4	621	8000
473	29,89	1,54	30,1	734	8000
494	36,17	1,33	24,9	712	8000
462	44,95	1,00	20,0	621	8000
389	49,78	0,76	18,1	626	8000
462	61,87	0,73	14,6	789	8000

IHA63

Mn ₂ [Nm]	i	Pn ₁ [kW]	n ₂ [rpm]	Fr1 [N]	Fr2 [N]
504	49,80	1,00	18,1	330	8000
504	60,25	0,83	14,9	409	8000
504	74,88	0,67	12,0	398	8000
504	88,02	0,57	10,2	421	8000
504	111,61	0,45	8,1	390	8000
504	138,71	0,36	6,5	398	8000
504	163,05	0,31	5,5	421	8000
504	200,27	0,25	4,5	403	8000
504	235,41	0,21	3,8	421	8000
504	284,81	0,18	3,2	409	8000
504	353,98	0,14	2,5	398	8000

IH032

Mn ₂ [Nm]	i	Pn ₁ [kW]	n ₂ [rpm]	Fr1 [N]	Fr2 [N]
100	4,70	2,06	191,7	665	3578
110	6,23	1,72	144,5	788	3925
131	7,76	1,64	115,9	815	4093
137	8,87	1,50	101,5	868	4285
147	10,14	1,41	88,7	900	4438
152	11,76	1,26	76,5	953	4685
179	13,72	1,26	65,6	951	4742
179	14,66	1,18	61,4	980	4889

IH032

Mn_2 [Nm]	i	Pn_1 [kW]	n_2 [rpm]	Fr_1 [N]	Fr_2 [N]
200	16,77	1,16	53,7	990	4980
210	18,20	1,12	49,5	1002	5066
210	19,90	1,03	45,2	1037	5285
210	22,68	0,90	39,7	1082	5500
210	23,83	0,86	37,8	1097	5500
210	26,39	0,77	34,1	1127	5500
210	29,70	0,69	30,3	1158	5500
210	32,89	0,62	27,4	1182	5500
210	37,92	0,54	23,7	1211	5500
210	41,40	0,49	21,7	1227	5500
210	47,25	0,43	19,1	1249	5500

IH033

Mn_2 [Nm]	i	Pn_1 [kW]	n_2 [rpm]	Fr_1 [N]	Fr_2 [N]
210	53,59	0,39	16,8	1267	5500
210	66,78	0,31	13,5	1294	5500
210	74,84	0,28	12,0	1306	5500
210	99,27	0,21	9,1	1330	5500
210	108,05	0,19	8,3	1336	5500
210	123,71	0,17	7,3	1345	5500
210	143,33	0,15	6,3	1353	5500
210	178,61	0,12	5,0	1363	5500
210	197,17	0,11	4,6	1367	5500
210	245,70	0,08	3,7	1374	5500

IH042

Mn_2 [Nm]	i	Pn_1 [kW]	n_2 [rpm]	Fr_1 [N]	Fr_2 [N]
168	5,46	2,99	164,8	384	4643
168	7,19	2,27	125,2	635	5221
221	8,91	2,40	101,0	588	5278
252	10,31	2,37	87,3	599	5371
263	11,80	2,16	76,3	673	5626
263	13,57	1,88	66,3	772	5998
263	15,96	1,60	56,4	870	6452
263	19,00	1,34	47,4	959	6600
263	21,00	1,21	42,9	1004	6600
273	23,15	1,15	38,9	1028	6600
273	26,04	1,02	34,6	1073	6600
294	27,50	1,04	32,7	1065	6600

IH042

Mn_2 [Nm]	i	Pn_1 [kW]	n_2 [rpm]	Fr_1 [N]	Fr_2 [N]
294	30,45	0,94	29,6	1101	6600
294	34,10	0,84	26,4	1136	6600
294	37,76	0,76	23,8	1164	6600
294	43,75	0,65	20,6	1200	6600
294	47,53	0,60	18,9	1218	6600
294	54,25	0,53	16,6	1244	6600

IH043

Mn_2 [Nm]	i	Pn_1 [kW]	n_2 [rpm]	Fr_1 [N]	Fr_2 [N]
315	61,83	0,51	14,6	1256	6600
315	76,67	0,41	11,7	1289	6600
315	87,05	0,36	10,3	1306	6600
315	114,55	0,27	7,9	1335	6600
315	125,69	0,25	7,2	1343	6600
315	142,04	0,22	6,3	1353	6600
315	165,38	0,19	5,4	1364	6600
315	205,07	0,15	4,4	1376	6600
315	227,50	0,14	4,0	1381	6600
315	282,10	0,11	3,2	1391	6600

IH052

Mn_2 [Nm]	i	Pn_1 [kW]	n_2 [rpm]	Fr_1 [N]	Fr_2 [N]
273	5,73	4,63	157,1	202	5759
305	6,89	4,29	130,6	290	6032
357	8,53	4,07	105,5	348	6274
389	9,56	3,95	94,1	379	6401
410	11,51	3,46	78,2	506	6834
452	14,24	3,08	63,2	603	7256
473	16,59	2,77	54,2	684	7654
483	18,00	2,61	50,0	725	7881
483	19,97	2,35	45,1	792	8000
494	21,67	2,21	41,5	827	8000
494	24,71	1,94	36,4	897	8000
515	26,18	1,91	34,4	905	8000
515	28,44	1,76	31,6	945	8000
515	31,52	1,59	28,6	989	8000
515	33,00	1,52	27,3	1007	8000
515	38,98	1,28	23,1	1067	8000
515	45,36	1,10	19,8	1114	8000

IH052

Mn_2 [Nm]	i	Pn_1 [kW]	n_2 [rpm]	Fr_1 [N]	Fr_2 [N]
515	49,13	1,02	18,3	1136	8000
515	56,11	0,89	16,0	1168	8000

IH053

Mn_2 [Nm]	i	Pn_1 [kW]	n_2 [rpm]	Fr_1 [N]	Fr_2 [N]
525	58,81	0,89	15,3	1174	8000
525	72,75	0,72	12,4	1217	8000
525	90,51	0,58	9,9	1253	8000
525	108,95	0,48	8,3	1278	8000
525	134,76	0,39	6,7	1301	8000
525	157,29	0,33	5,7	1315	8000
525	194,56	0,27	4,6	1331	8000
525	216,38	0,24	4,2	1338	8000
525	267,65	0,19	3,4	1349	8000

IH062

Mn_2 [Nm]	i	Pn_1 [kW]	n_2 [rpm]	Fr_1 [N]	Fr_2 [N]
525	5,38	9,49	167,4	753	9322
578	5,93	9,46	151,7	761	9432
578	7,39	7,59	121,8	1171	10402
630	8,50	7,20	105,9	1257	10753
630	9,39	6,52	95,9	1406	11238
683	11,69	5,68	77,0	1593	12000
735	12,67	5,64	71,0	1601	12000
735	14,75	4,84	61,0	1776	12000
840	16,29	5,01	55,3	1739	12000
872	17,67	4,79	50,9	1787	12000
893	20,28	4,28	44,4	1901	12000
893	23,27	3,73	38,7	2022	12000
893	25,70	3,38	35,0	2099	12000
840	29,33	2,78	30,7	2229	12000
893	32,00	2,71	28,1	2245	12000
840	36,99	2,21	24,3	2356	12000
893	40,33	2,15	22,3	2369	12000
893	46,06	1,88	19,5	2427	12000

IH063

Mn ₂ [Nm]	i	Pn ₁ [kW]	n ₂ [rpm]	Fr1 [N]	Fr2 [N]
893	49,45	1,79	18,2	2456	12000
893	54,61	1,62	16,5	2492	12000
893	68,00	1,30	13,2	2561	12000
893	85,82	1,03	10,5	2619	12000
893	94,76	0,93	9,5	2640	12000
893	118,00	0,75	7,6	2680	12000
893	135,40	0,65	6,7	2701	12000
893	149,51	0,59	6,0	2714	12000
893	170,67	0,52	5,3	2730	12000
893	186,18	0,48	4,8	2739	12000
893	215,21	0,41	4,2	2753	12000
893	234,67	0,38	3,8	2760	12000
893	268,00	0,33	3,4	2770	12000

IH082

Mn ₂ [Nm]	i	Pn ₁ [kW]	n ₂ [rpm]	Fr1 [N]	Fr2 [N]
735	5,39	13,26	167,0	706	11651
735	5,95	12,01	151,4	922	12152
840	7,39	11,04	121,7	1091	12841
840	8,02	10,18	112,2	1241	13300
945	8,85	10,38	101,7	1206	13391
1155	11,01	10,20	81,8	1237	13766
1470	13,50	10,58	66,7	1170	13667
1575	14,90	10,28	60,4	1223	13866
1575	16,62	9,21	54,2	1408	14648
1575	18,53	8,26	48,6	1573	15455
1680	19,38	8,42	46,4	1545	15320
1680	21,39	7,63	42,1	1682	16087
1680	22,80	7,16	39,5	1764	16598
1680	26,60	6,14	33,8	1942	17879
1680	27,88	5,86	32,3	1991	18000
1680	31,15	5,24	28,9	2098	18000
1680	34,38	4,75	26,2	2183	18000
1680	38,70	4,22	23,2	2275	18000
1680	42,75	3,82	21,1	2345	18000
1680	48,13	3,39	18,7	2419	18000

IH083

Mn_2 [Nm]	i	Pn_1 [kW]	n2 [rpm]	Fr1 [N]	Fr2 [N]
1680	56,53	2,95	15,9	2506	18000
1890	71,48	2,62	12,6	2562	18000
1890	78,87	2,38	11,4	2604	18000
1890	85,56	2,19	10,5	2635	18000
1890	98,09	1,91	9,2	2683	18000
1890	112,78	1,66	8,0	2725	18000
1890	124,44	1,51	7,2	2752	18000
1890	142,15	1,32	6,3	2784	18000
1890	154,76	1,21	5,8	2802	18000
1890	162,35	1,16	5,5	2812	18000
1890	179,13	1,05	5,0	2830	18000
1890	195,07	0,96	4,6	2845	18000
1890	222,78	0,84	4,0	2865	18000

IH102

Mn_2 [Nm]	i	Pn_1 [kW]	n2 [rpm]	Fr1 [N]	Fr2 [N]
1890	5,26	34,90	171,0	1613	12767
2100	6,36	32,11	141,6	1811	13264
2415	7,05	33,29	127,6	1727	12817
2625	8,27	30,84	108,8	1902	13225
2940	9,99	28,60	90,1	2061	13535
3150	11,09	27,62	81,2	2130	13608
3255	13,32	23,74	67,5	2405	14826
3360	16,09	20,30	55,9	2650	16191
3360	17,85	18,29	50,4	2792	17209
3360	19,85	16,45	45,3	2923	18287
3360	21,44	15,23	42,0	3010	19096
3465	23,97	14,05	37,5	3094	19902
3465	25,89	13,01	34,8	3168	20764
3465	28,73	11,72	31,3	3259	21958
3360	30,72	10,63	29,3	3337	22000
3360	34,20	9,55	26,3	3413	22000
2940	38,45	7,43	23,4	3564	22000
3465	41,30	8,15	21,8	3512	22000
3465	45,82	7,35	19,6	3569	22000
3465	51,52	6,54	17,5	3627	22000

IH103

Mn ₂ [Nm]	i	Pn ₁ [kW]	n ₂ [rpm]	Fr1 [N]	Fr2 [N]
3675	55,47	6,58	16,2	3634	22000
3675	69,69	5,23	12,9	3727	22000
3675	79,82	4,57	11,3	3774	22000
3675	84,16	4,33	10,7	3790	22000
3675	93,36	3,91	9,6	3820	22000
3675	100,07	3,65	9,0	3838	22000
3675	120,84	3,02	7,5	3882	22000
3675	134,06	2,72	6,7	3902	22000
3675	143,42	2,54	6,3	3915	22000
3675	160,82	2,27	5,6	3934	22000
3675	181,07	2,01	5,0	3951	22000
3675	194,21	1,88	4,6	3961	22000
3675	215,45	1,69	4,2	3974	22000
3780	242,59	1,55	3,7	3984	22000

IH122

Mn ₂ [Nm]	i	Pn ₁ [kW]	n ₂ [rpm]	Fr1 [N]	Fr2 [N]
3150	5,27	58,04	170,6	616	18507
3360	5,78	56,55	155,8	703	18709
3780	7,05	52,12	127,7	964	19385
3885	7,74	48,77	116,2	1161	20049
3990	8,48	45,75	106,2	1338	20710
4200	10,35	39,46	87,0	1709	22339
4620	12,66	35,46	71,1	1944	23484
4830	13,86	33,86	64,9	2038	23985
5040	16,92	28,95	53,2	2327	26025
5250	19,32	26,41	46,6	2476	27258
5250	20,57	24,81	43,8	2570	28191
5250	22,52	22,66	40,0	2697	29575
5250	24,47	20,86	36,8	2803	30000
5250	27,49	18,56	32,7	2938	30000
5250	29,86	17,09	30,1	3024	30000
5250	33,00	15,46	27,3	3120	30000
5250	36,13	14,12	24,9	3199	30000
5250	44,10	11,57	20,4	3349	30000

IH123

Mn ₂ [Nm]	i	Pn ₁ [kW]	n ₂ [rpm]	Fr1 [N]	Fr2 [N]
5250	45,77	11,39	19,7	3374	30000

IH123

Mn ₂ [Nm]	i	Pn ₁ [kW]	n ₂ [rpm]	Fr1 [N]	Fr2 [N]
5250	55,87	9,33	16,1	3492	30000
5250	67,32	7,74	13,4	3583	30000
5250	73,71	7,07	12,2	3622	30000
5250	83,34	6,25	10,8	3669	30000
5250	89,97	5,79	10,0	3696	30000
5250	100,29	5,20	9,0	3730	30000
5250	108,34	4,81	8,3	3752	30000
5250	118,62	4,39	7,6	3776	30000
5250	128,18	4,07	7,0	3795	30000
5250	144,79	3,60	6,2	3822	30000
5250	155,22	3,36	5,8	3836	30000
5250	172,80	3,02	5,2	3855	30000
5250	189,19	2,75	4,8	3871	30000
5250	207,43	2,51	4,3	3884	30000
5250	230,92	2,26	3,9	3899	30000

IH142

Mn ₂ [Nm]	i	Pn ₁ [kW]	n ₂ [rpm]	Fr1 [N]	Fr2 [N]
4830	5,27	89,01	170,6	4831	23594
5145	6,36	78,69	141,6	5490	25090
5250	7,04	72,45	127,8	5889	26187
5565	7,84	68,97	114,8	6111	26774
6825	9,45	70,20	95,2	6033	25788
7560	10,47	70,16	85,9	6035	25199
7665	13,07	56,99	68,8	6877	28552
8190	15,75	50,54	57,1	7289	30282
8295	17,45	46,19	51,6	7567	31876
8400	20,04	40,73	44,9	7916	34236
8400	24,15	33,81	37,3	8359	38042
8400	26,76	30,51	33,6	8570	40244
8400	32,24	25,32	27,9	8901	44431
8400	38,85	21,02	23,2	9176	48891
8400	43,05	18,96	20,9	9308	51470

IH143

Mn ₂ [Nm]	i	Pn ₁ [kW]	n ₂ [rpm]	Fr1 [N]	Fr2 [N]
8400	48,35	17,25	18,6	9440	54488
8400	53,53	15,58	16,8	9545	55000
8400	59,22	14,08	15,2	9638	55000

IH143

Mn_2 [Nm]	i	Pn_1 [kW]	n_2 [rpm]	Fr_1 [N]	Fr_2 [N]
8400	62,99	13,24	14,3	9691	55000
8400	71,35	11,69	12,6	9788	55000
8400	79,07	10,54	11,4	9860	55000
8400	86,43	9,65	10,4	9916	55000
8400	96,21	8,67	9,3	9977	55000
8400	104,51	7,98	8,6	10020	55000
8400	115,92	7,19	7,8	10070	55000
8400	128,47	6,49	7,0	10114	55000
8400	139,55	5,97	6,5	10146	55000
8400	154,33	5,40	5,8	10182	55000
8400	185,96	4,48	4,8	10239	55000
8400	206,08	4,05	4,4	10267	55000

IHR041

Mn_2 [Nm]	i	Pn_1 [kW]	n_2 [rpm]	Fr_1 [N]	Fr_2 [N]
29	1,44	1,97	626,1	930	737
29	2,00	1,41	450,0	1054	838
36	2,55	1,35	353,6	1068	891
36	2,71	1,27	331,6	1087	914
46	3,11	1,43	289,8	1050	914
47	3,59	1,27	250,8	1087	965
47	4,20	1,08	214,3	1128	1000
47	5,00	0,91	180,0	1167	1000
53	5,50	0,92	163,6	1164	1000
53	6,09	0,83	147,8	1184	1000
53	7,67	0,66	117,4	1223	1000
58	8,75	0,63	102,9	1228	1000

IHR051

Mn_2 [Nm]	i	Pn_1 [kW]	n_2 [rpm]	Fr_1 [N]	Fr_2 [N]
47	1,27	3,57	707,1	723	1849
68	1,42	4,63	634,1	525	1801
68	2,13	3,09	423,5	813	2120
79	2,57	2,95	350,0	840	2223
89	3,17	2,71	284,2	884	2353
95	3,69	2,47	244,1	930	2472
95	4,00	2,27	225,0	966	2500
100	4,77	2,01	188,7	1015	2500
105	5,25	1,92	171,4	1032	2500

IHR051

Mn ₂ [Nm]	i	Pn ₁ [kW]	n ₂ [rpm]	Fr1 [N]	Fr2 [N]
105	5,82	1,74	154,7	1067	2500
105	7,33	1,38	122,7	1135	2500
105	8,38	1,21	107,5	1167	2500

IHR061

Mn ₂ [Nm]	i	Pn ₁ [kW]	n ₂ [rpm]	Fr1 [N]	Fr2 [N]
105	1,34	7,52	669,8	1819	2682
137	2,13	6,18	423,5	2025	3068
147	2,57	5,50	350,0	2129	3264
147	3,17	4,47	284,2	2289	3540
158	3,69	4,11	244,1	2343	3700
158	4,00	3,79	225,0	2393	3700
168	4,77	3,39	188,7	2454	3700
179	5,25	3,27	171,4	2472	3700
179	5,82	2,95	154,7	2522	3700
179	7,33	2,34	122,7	2615	3700
179	8,38	2,05	107,5	2660	3700

IHR081

Mn ₂ [Nm]	i	Pn ₁ [kW]	n ₂ [rpm]	Fr1 [N]	Fr2 [N]
231	1,30	17,13	693,8	594	2894
252	1,43	16,97	630,0	617	2960
263	1,93	13,08	466,1	1173	3306
310	2,54	11,72	354,1	1366	3577
331	3,25	9,79	276,9	1642	3894
336	3,72	8,68	241,8	1800	4000
336	4,00	8,08	225,0	1886	4000
336	4,67	6,93	192,9	2051	4000
347	5,54	6,02	162,5	2180	4000
357	6,08	5,65	147,9	2233	4000
368	7,50	4,71	120,0	2366	4000
368	8,44	4,19	106,6	2442	4000

IHR101

Mn ₂ [Nm]	i	Pn ₁ [kW]	n ₂ [rpm]	Fr1 [N]	Fr2 [N]
462	1,29	34,38	696,2	1483	3554
504	1,41	34,38	638,2	1483	3619

IHR101

Mn_2 [Nm]	i	Pn_1 [kW]	n_2 [rpm]	Fr_1 [N]	Fr_2 [N]
504	2,03	23,86	442,9	2242	4178
604	2,48	23,40	362,7	2275	4376
641	3,27	18,83	275,0	2606	4829
641	3,70	16,65	243,2	2762	5000
641	4,22	14,59	213,2	2911	5000
651	4,88	12,85	184,6	3037	5000
651	5,27	11,89	170,9	3106	5000
672	6,23	10,37	144,4	3215	5000
683	7,55	8,70	119,3	3336	5000
683	8,40	7,82	107,1	3400	5000

IHR121

Mn_2 [Nm]	i	Pn_1 [kW]	n_2 [rpm]	Fr_1 [N]	Fr_2 [N]
714	1,23	55,80	731,2	567	4454
777	1,42	52,76	635,3	751	4639
777	1,81	41,38	498,2	1437	5096
819	2,00	39,39	450,0	1557	5257
861	2,48	33,40	362,9	1918	5667
861	2,95	28,03	304,6	2242	6000
882	3,14	27,00	286,4	2304	6000
893	3,58	23,99	251,5	2486	6000
893	4,12	20,85	218,6	2675	6000
914	4,80	18,31	187,5	2828	6000
924	5,21	17,05	172,6	2905	6000
945	6,25	14,54	144,0	3055	6000
1050	7,70	13,12	116,9	3141	6000

IHA32

Mn ₂ [Nm]	i	Pn ₁ [kW]	n ₂ [rpm]	Fr1 [N]	Fr2 [N]
85	5,38	1,19	130,1	330	1381
85	6,52	0,98	107,4	409	1473
80	8,11	0,74	86,3	373	1584
96	10,94	0,66	64,0	441	1750
85	13,25	0,48	52,8	363	1865
85	16,49	0,39	42,5	398	2000
96	20,26	0,36	34,5	453	2000
90	24,55	0,28	28,5	386	2000
85	30,55	0,21	22,9	374	2000
96	35,44	0,20	19,8	480	2000
96	44,10	0,16	15,9	398	2000
85	48,75	0,13	14,4	398	2000
101	60,67	0,13	11,5	472	2000

IHA33

Mn ₂ [Nm]	i	Pn ₁ [kW]	n ₂ [rpm]	Fr1 [N]	Fr2 [N]
106	51,32	0,16	13,6	472	2000
106	59,65	0,14	11,7	472	2000
106	72,27	0,11	9,7	472	2000
106	89,94	0,09	7,8	472	2000
106	110,51	0,07	6,3	472	2000
106	133,88	0,06	5,2	472	2000
106	166,61	0,05	4,2	472	2000
106	193,30	0,04	3,6	472	2000
106	240,55	0,03	2,9	472	2000
106	279,07	0,03	2,5	472	2000
106	347,29	0,02	2,0	472	2000

IHA41

Mn ₂ [Nm]	i	Pn ₁ [kW]	n ₂ [rpm]	Fr1 [N]	Fr2 [N]
27	1,45	1,37	483,3	330	645
27	2,94	0,67	237,7	330	817
32	4,75	0,50	147,4	330	958
32	5,45	0,44	128,3	330	1003
27	7,88	0,25	88,9	330	1100
21	10,83	0,15	64,6	330	1100

IHA42

Mn_2 [Nm]	i	Pn_1 [kW]	n2 [rpm]	Fr1 [N]	Fr2 [N]
149	5,38	2,08	130,1	330	2908
149	6,52	1,72	107,4	409	3100
138	8,11	1,28	86,3	369	3334
159	10,94	1,10	64,0	424	3684
149	13,25	0,84	52,8	381	3927
149	16,49	0,68	42,5	398	4224
159	20,26	0,59	34,5	432	4300
165	24,55	0,50	28,5	422	4300
149	30,55	0,37	22,9	359	4300
159	35,44	0,34	19,8	457	4300
149	44,10	0,25	15,9	371	4300
122	48,75	0,19	14,4	416	4300
138	60,67	0,17	11,5	428	4300

IHA43

Mn_2 [Nm]	i	Pn_1 [kW]	n2 [rpm]	Fr1 [N]	Fr2 [N]
159	51,32	0,24	13,6	427	4300
159	59,65	0,21	11,7	426	4300
159	72,27	0,17	9,7	409	4300
159	89,94	0,14	7,8	398	4300
159	110,51	0,11	6,3	403	4300
159	133,88	0,09	5,2	409	4300
159	166,61	0,07	4,2	398	4300
159	193,30	0,06	3,6	427	4300
159	240,55	0,05	2,9	398	4300
159	279,07	0,04	2,5	427	4300
159	347,29	0,04	2,0	398	4300

IHA51

Mn_2 [Nm]	i	Pn_1 [kW]	n2 [rpm]	Fr1 [N]	Fr2 [N]
43	1,45	2,18	483,3	330	1776
43	2,94	1,07	237,7	330	2250
53	4,75	0,83	147,4	330	2639
53	5,45	0,73	128,3	330	2764
43	7,88	0,40	88,9	330	3000
27	10,83	0,18	64,6	330	3000

IHA52

Mn ₂ [Nm]	i	Pn ₁ [kW]	n ₂ [rpm]	Fr1 [N]	Fr2 [N]
255	5,14	3,73	136,1	550	3581
255	6,22	3,08	112,5	682	3816
255	7,73	2,48	90,5	664	4103
319	9,64	2,49	72,6	827	4416
298	11,67	1,92	60,0	636	4705
298	14,50	1,54	48,3	664	5059
319	16,91	1,42	41,4	758	5325
308	20,46	1,13	34,2	659	5674
298	25,43	0,88	27,5	641	6000
319	29,89	0,80	23,4	752	6000
319	36,17	0,66	19,4	682	6000
298	44,95	0,50	15,6	620	6000
319	49,78	0,48	14,1	798	6000
308	61,87	0,37	11,3	642	6000

IHA53

Mn ₂ [Nm]	i	Pn ₁ [kW]	n ₂ [rpm]	Fr1 [N]	Fr2 [N]
319	49,80	0,49	14,1	330	6000
319	60,25	0,41	11,6	409	6000
319	74,88	0,33	9,3	398	6000
319	88,02	0,28	8,0	421	6000
319	111,61	0,22	6,3	390	6000
319	138,71	0,18	5,0	398	6000
319	163,05	0,15	4,3	421	6000
319	200,27	0,12	3,5	403	6000
319	235,41	0,10	3,0	421	6000
319	284,81	0,09	2,5	409	6000
319	353,98	0,07	2,0	398	6000

IHA61

Mn ₂ [Nm]	i	Pn ₁ [kW]	n ₂ [rpm]	Fr1 [N]	Fr2 [N]
96	1,33	5,34	525,0	550	2586
96	2,50	2,85	280,0	550	3189
117	4,38	1,98	159,7	550	3846
96	7,75	0,92	90,3	550	4500
74	10,67	0,52	65,6	550	4500

IHA62

Mn_2 [Nm]	i	Pn_1 [kW]	n_2 [rpm]	Fr_1 [N]	Fr_2 [N]
404	5,14	5,91	136,1	550	5285
404	6,22	4,88	112,5	682	5632
404	7,73	3,93	90,5	664	6055
489	9,64	3,81	72,6	801	6518
468	11,67	3,01	60,0	652	6945
446	14,50	2,32	48,3	634	7467
531	16,91	2,36	41,4	842	7860
489	20,46	1,80	34,2	627	8000
457	25,43	1,35	27,5	621	8000
478	29,89	1,20	23,4	734	8000
499	36,17	1,04	19,4	712	8000
468	44,95	0,78	15,6	621	8000
393	49,78	0,59	14,1	626	8000
468	61,87	0,57	11,3	789	8000

IHA63

Mn_2 [Nm]	i	Pn_1 [kW]	n_2 [rpm]	Fr_1 [N]	Fr_2 [N]
510	49,80	0,79	14,1	330	8000
510	60,25	0,65	11,6	409	8000
510	74,88	0,52	9,3	398	8000
510	88,02	0,45	8,0	421	8000
510	111,61	0,35	6,3	390	8000
510	138,71	0,28	5,0	398	8000
510	163,05	0,24	4,3	421	8000
510	200,27	0,20	3,5	403	8000
510	235,41	0,17	3,0	421	8000
510	284,81	0,14	2,5	409	8000
510	353,98	0,11	2,0	398	8000

IH032

Mn_2 [Nm]	i	Pn_1 [kW]	n_2 [rpm]	Fr_1 [N]	Fr_2 [N]
101	4,70	1,62	149,1	656	3969
112	6,23	1,35	112,4	781	4355
133	7,76	1,29	90,2	808	4553
138	8,87	1,17	79,0	862	4767
149	10,14	1,10	69,0	894	4941
154	11,76	0,99	59,5	948	5214
181	13,72	0,99	51,0	946	5297
181	14,66	0,93	47,8	975	5457

IH032

Mn_2 [Nm]	i	Pn_1 [kW]	n_2 [rpm]	Fr_1 [N]	Fr_2 [N]
202	16,77	0,91	41,8	985	5500
213	18,20	0,88	38,5	998	5500
213	19,90	0,80	35,2	1032	5500
213	22,68	0,70	30,9	1078	5500
213	23,83	0,67	29,4	1094	5500
213	26,39	0,61	26,5	1124	5500
213	29,70	0,54	23,6	1155	5500
213	32,89	0,49	21,3	1179	5500
213	37,92	0,42	18,5	1209	5500
213	41,40	0,39	16,9	1225	5500
213	47,25	0,34	14,8	1247	5500

IH033

Mn_2 [Nm]	i	Pn_1 [kW]	n_2 [rpm]	Fr_1 [N]	Fr_2 [N]
213	53,59	0,30	13,1	1266	5500
213	66,78	0,24	10,5	1293	5500
213	74,84	0,22	9,3	1305	5500
213	99,27	0,16	7,0	1329	5500
213	108,05	0,15	6,5	1335	5500
213	123,71	0,13	5,7	1344	5500
213	143,33	0,11	4,9	1352	5500
213	178,61	0,09	3,9	1362	5500
213	197,17	0,08	3,5	1366	5500
213	245,70	0,07	2,9	1374	5500

IH042

Mn_2 [Nm]	i	Pn_1 [kW]	n_2 [rpm]	Fr_1 [N]	Fr_2 [N]
170	5,46	2,34	128,2	372	5154
170	7,19	1,78	97,4	625	5783
223	8,91	1,88	78,5	578	5877
255	10,31	1,86	67,9	589	5998
266	11,80	1,69	59,3	664	6282
266	13,57	1,47	51,6	764	6600
266	15,96	1,25	43,9	863	6600
266	19,00	1,05	36,8	954	6600
266	21,00	0,95	33,3	999	6600
276	23,15	0,90	30,2	1023	6600
276	26,04	0,80	26,9	1068	6600
298	27,50	0,81	25,4	1061	6600

IH042

Mn_2 [Nm]	i	Pn_1 [kW]	n_2 [rpm]	Fr_1 [N]	Fr_2 [N]
298	30,45	0,73	23,0	1097	6600
298	34,10	0,66	20,5	1132	6600
298	37,76	0,59	18,5	1161	6600
298	43,75	0,51	16,0	1198	6600
298	47,53	0,47	14,7	1216	6600
298	54,25	0,41	12,9	1242	6600

IH043

Mn_2 [Nm]	i	Pn_1 [kW]	n_2 [rpm]	Fr_1 [N]	Fr_2 [N]
319	61,83	0,40	11,3	1253	6600
319	76,67	0,32	9,1	1287	6600
319	87,05	0,28	8,0	1304	6600
319	114,55	0,21	6,1	1334	6600
319	125,69	0,19	5,6	1342	6600
319	142,04	0,17	4,9	1352	6600
319	165,38	0,15	4,2	1363	6600
319	205,07	0,12	3,4	1376	6600
319	227,50	0,11	3,1	1381	6600
319	282,10	0,09	2,5	1390	6600

IH052

Mn_2 [Nm]	i	Pn_1 [kW]	n_2 [rpm]	Fr_1 [N]	Fr_2 [N]
276	5,73	3,63	122,2	188	6400
308	6,89	3,36	101,5	277	6713
361	8,53	3,19	82,1	336	7002
393	9,56	3,09	73,2	367	7156
414	11,51	2,71	60,8	495	7637
457	14,24	2,41	49,2	593	8000
478	16,59	2,17	42,2	675	8000
489	18,00	2,04	38,9	717	8000
489	19,97	1,84	35,0	784	8000
499	21,67	1,73	32,3	820	8000
499	24,71	1,52	28,3	891	8000
521	26,18	1,50	26,7	900	8000
521	28,44	1,38	24,6	939	8000
521	31,52	1,24	22,2	984	8000
521	33,00	1,19	21,2	1003	8000
521	38,98	1,00	18,0	1063	8000
521	45,36	0,86	15,4	1111	8000

IH052

Mn_2 [Nm]	i	Pn_1 [kW]	n_2 [rpm]	Fr_1 [N]	Fr_2 [N]
521	49,13	0,80	14,2	1133	8000
521	56,11	0,70	12,5	1166	8000

IH053

Mn_2 [Nm]	i	Pn_1 [kW]	n_2 [rpm]	Fr_1 [N]	Fr_2 [N]
531	58,81	0,69	11,9	1172	8000
531	72,75	0,56	9,6	1215	8000
531	90,51	0,45	7,7	1251	8000
531	108,95	0,37	6,4	1276	8000
531	134,76	0,30	5,2	1300	8000
531	157,29	0,26	4,5	1314	8000
531	194,56	0,21	3,6	1330	8000
531	216,38	0,19	3,2	1337	8000
531	267,65	0,15	2,6	1349	8000

IH062

Mn_2 [Nm]	i	Pn_1 [kW]	n_2 [rpm]	Fr_1 [N]	Fr_2 [N]
531	5,38	7,43	130,2	728	10367
584	5,93	7,41	118,0	736	10510
584	7,39	5,95	94,7	1151	11565
638	8,50	5,64	82,3	1238	11970
638	9,39	5,11	74,6	1389	12000
691	11,69	4,45	59,9	1578	12000
744	12,67	4,42	55,3	1586	12000
744	14,75	3,79	47,5	1763	12000
850	16,29	3,93	43,0	1726	12000
882	17,67	3,75	39,6	1774	12000
903	20,28	3,35	34,5	1890	12000
903	23,27	2,92	30,1	2012	12000
903	25,70	2,64	27,2	2090	12000
850	29,33	2,18	23,9	2222	12000
903	32,00	2,12	21,9	2238	12000
850	36,99	1,73	18,9	2350	12000
903	40,33	1,68	17,4	2363	12000
903	46,06	1,47	15,2	2422	12000

IH063

Mn ₂ [Nm]	i	Pn ₁ [kW]	n ₂ [rpm]	Fr1 [N]	Fr2 [N]
903	49,45	1,40	14,2	2451	12000
903	54,61	1,27	12,8	2488	12000
903	68,00	1,02	10,3	2558	12000
903	85,82	0,81	8,2	2617	12000
903	94,76	0,73	7,4	2638	12000
903	118,00	0,59	5,9	2678	12000
903	135,40	0,51	5,2	2699	12000
903	149,51	0,46	4,7	2712	12000
903	170,67	0,41	4,1	2728	12000
903	186,18	0,37	3,8	2738	12000
903	215,21	0,32	3,2	2752	12000
903	234,67	0,30	3,0	2759	12000
903	268,00	0,26	2,6	2770	12000

IH082

Mn ₂ [Nm]	i	Pn ₁ [kW]	n ₂ [rpm]	Fr1 [N]	Fr2 [N]
744	5,39	10,38	129,9	679	12923
744	5,95	9,41	117,7	897	13467
850	7,39	8,65	94,7	1068	14253
850	8,02	7,97	87,3	1219	14752
956	8,85	8,13	79,1	1184	14887
1169	11,01	7,99	63,6	1216	15367
1488	13,50	8,29	51,9	1148	15368
1594	14,90	8,05	47,0	1202	15622
1594	16,62	7,22	42,1	1389	16471
1594	18,53	6,47	37,8	1556	17349
1700	19,38	6,60	36,1	1528	17238
1700	21,39	5,98	32,7	1667	18000
1700	22,80	5,61	30,7	1750	18000
1700	26,60	4,81	26,3	1929	18000
1700	27,88	4,59	25,1	1979	18000
1700	31,15	4,10	22,5	2087	18000
1700	34,38	3,72	20,4	2173	18000
1700	38,70	3,30	18,1	2267	18000
1700	42,75	2,99	16,4	2337	18000
1700	48,13	2,66	14,5	2412	18000

IH083

Mn ₂ [Nm]	i	Pn ₁ [kW]	n ₂ [rpm]	Fr1 [N]	Fr2 [N]
1700	56,53	2,31	12,4	2500	18000
1913	71,48	2,06	9,8	2556	18000
1913	78,87	1,86	8,9	2599	18000
1913	85,56	1,72	8,2	2631	18000
1913	98,09	1,50	7,1	2679	18000
1913	112,78	1,30	6,2	2722	18000
1913	124,44	1,18	5,6	2749	18000
1913	142,15	1,03	4,9	2781	18000
1913	154,76	0,95	4,5	2799	18000
1913	162,35	0,91	4,3	2809	18000
1913	179,13	0,82	3,9	2828	18000
1913	195,07	0,75	3,6	2843	18000
1913	222,78	0,66	3,1	2863	18000

IH102

Mn ₂ [Nm]	i	Pn ₁ [kW]	n ₂ [rpm]	Fr1 [N]	Fr2 [N]
1913	5,26	27,34	133,0	1583	14423
2125	6,36	25,15	110,1	1784	15024
2444	7,05	26,07	99,3	1699	14628
2656	8,27	24,15	84,6	1876	15132
2975	9,99	22,40	70,1	2036	15559
3188	11,09	21,63	63,1	2107	15698
3294	13,32	18,59	52,5	2385	17053
3400	16,09	15,89	43,5	2633	18567
3400	17,85	14,33	39,2	2777	19675
3400	19,85	12,89	35,3	2909	20846
3400	21,44	11,93	32,6	2997	21727
3506	23,97	11,00	29,2	3082	22000
3506	25,89	10,19	27,0	3157	22000
3506	28,73	9,18	24,4	3249	22000
3400	30,72	8,33	22,8	3328	22000
3400	34,20	7,48	20,5	3405	22000
2975	38,45	5,82	18,2	3557	22000
3506	41,30	6,39	16,9	3505	22000
3506	45,82	5,76	15,3	3563	22000
3506	51,52	5,12	13,6	3622	22000

IH103

Mn ₂ [Nm]	i	Pn ₁ [kW]	n ₂ [rpm]	Fr1 [N]	Fr2 [N]
3719	55,47	5,15	12,6	3629	22000
3719	69,69	4,10	10,0	3723	22000
3719	79,82	3,58	8,8	3770	22000
3719	84,16	3,39	8,3	3786	22000
3719	93,36	3,06	7,5	3817	22000
3719	100,07	2,86	7,0	3835	22000
3719	120,84	2,36	5,8	3879	22000
3719	134,06	2,13	5,2	3900	22000
3719	143,42	1,99	4,9	3912	22000
3719	160,82	1,78	4,3	3932	22000
3719	181,07	1,58	3,9	3950	22000
3719	194,21	1,47	3,6	3959	22000
3719	215,45	1,33	3,2	3972	22000
3825	242,59	1,21	2,9	3983	22000

IH122

Mn ₂ [Nm]	i	Pn ₁ [kW]	n ₂ [rpm]	Fr1 [N]	Fr2 [N]
3188	5,27	45,46	132,7	575	20890
3400	5,78	44,29	121,2	664	21161
3825	7,05	40,82	99,3	927	21998
3931	7,74	38,20	90,4	1127	22745
4038	8,48	35,83	82,6	1306	23489
4250	10,35	30,90	67,7	1681	25312
4675	12,66	27,77	55,3	1919	26660
4888	13,86	26,52	50,5	2014	27255
5100	16,92	22,67	41,4	2306	29524
5313	19,32	20,68	36,2	2457	30000
5313	20,57	19,43	34,0	2553	30000
5313	22,52	17,74	31,1	2681	30000
5313	24,47	16,33	28,6	2788	30000
5313	27,49	14,54	25,5	2925	30000
5313	29,86	13,38	23,4	3012	30000
5313	33,00	12,11	21,2	3109	30000
5313	36,13	11,06	19,4	3189	30000
5313	44,10	9,06	15,9	3341	30000

IH123

Mn ₂ [Nm]	i	Pn ₁ [kW]	n ₂ [rpm]	Fr1 [N]	Fr2 [N]
5313	45,77	8,92	15,3	3366	30000

IH123

Mn ₂ [Nm]	i	Pn ₁ [kW]	n ₂ [rpm]	Fr1 [N]	Fr2 [N]
5313	55,87	7,31	12,5	3486	30000
5313	67,32	6,06	10,4	3578	30000
5313	73,71	5,54	9,5	3617	30000
5313	83,34	4,90	8,4	3665	30000
5313	89,97	4,54	7,8	3692	30000
5313	100,29	4,07	7,0	3726	30000
5313	108,34	3,77	6,5	3749	30000
5313	118,62	3,44	5,9	3773	30000
5313	128,18	3,18	5,5	3792	30000
5313	144,79	2,82	4,8	3819	30000
5313	155,22	2,63	4,5	3834	30000
5313	172,80	2,36	4,0	3853	30000
5313	189,19	2,16	3,7	3869	30000
5313	207,43	1,97	3,4	3883	30000
5313	230,92	1,77	3,0	3898	30000

IH142

Mn ₂ [Nm]	i	Pn ₁ [kW]	n ₂ [rpm]	Fr1 [N]	Fr2 [N]
4888	5,27	69,71	132,7	4763	26746
5206	6,36	61,62	110,1	5430	28444
5313	7,04	56,74	99,4	5834	29660
5631	7,84	54,01	89,2	6059	30370
6906	9,45	54,98	74,1	5979	29582
7650	10,47	54,95	66,8	5982	29108
7756	13,07	44,64	53,5	6833	32777
8288	15,75	39,58	44,4	7251	34777
8394	17,45	36,17	40,1	7532	36535
8500	20,04	31,90	34,9	7885	39125
8500	24,15	26,48	29,0	8333	43263
8500	26,76	23,89	26,1	8547	45657
8500	32,24	19,83	21,7	8882	50210
8500	38,85	16,46	18,0	9160	55000
8500	43,05	14,85	16,3	9293	55000

IH143

Mn ₂ [Nm]	i	Pn ₁ [kW]	n ₂ [rpm]	Fr1 [N]	Fr2 [N]
8500	48,35	13,51	14,5	9428	55000
8500	53,53	12,20	13,1	9533	55000
8500	59,22	11,03	11,8	9628	55000

IH143

Mn_2 [Nm]	i	Pn_1 [kW]	n_2 [rpm]	Fr_1 [N]	Fr_2 [N]
8500	62,99	10,37	11,1	9681	55000
8500	71,35	9,15	9,8	9780	55000
8500	79,07	8,26	8,8	9852	55000
8500	86,43	7,56	8,1	9909	55000
8500	96,21	6,79	7,3	9971	55000
8500	104,51	6,25	6,7	10014	55000
8500	115,92	5,63	6,0	10064	55000
8500	128,47	5,08	5,5	10109	55000
8500	139,55	4,68	5,0	10141	55000
8500	154,33	4,23	4,5	10178	55000
8500	185,96	3,51	3,8	10236	55000
8500	206,08	3,17	3,4	10264	55000

IHR041

Mn_2 [Nm]	i	Pn_1 [kW]	n_2 [rpm]	Fr_1 [N]	Fr_2 [N]
30	1,44	1,54	487,0	925	812
30	2,00	1,11	350,0	1050	922
36	2,55	1,06	275,0	1064	981
36	2,71	0,99	257,9	1083	1000
47	3,11	1,12	225,4	1046	1000
48	3,59	0,99	195,1	1083	1000
48	4,20	0,85	166,7	1125	1000
48	5,00	0,71	140,0	1164	1000
53	5,50	0,72	127,3	1162	1000
53	6,09	0,65	114,9	1182	1000
53	7,67	0,52	91,3	1221	1000
58	8,75	0,50	80,0	1226	1000

IHR051

Mn_2 [Nm]	i	Pn_1 [kW]	n_2 [rpm]	Fr_1 [N]	Fr_2 [N]
48	1,27	2,80	550,0	715	2032
69	1,42	3,62	493,2	514	1990
69	2,13	2,42	329,4	806	2336
80	2,57	2,31	272,2	833	2453
90	3,17	2,12	221,1	878	2500
96	3,69	1,93	189,8	925	2500
96	4,00	1,78	175,0	961	2500
101	4,77	1,58	146,8	1011	2500
106	5,25	1,51	133,3	1028	2500

IHR051

Mn ₂ [Nm]	i	Pn ₁ [kW]	n ₂ [rpm]	Fr1 [N]	Fr2 [N]
106	5,82	1,36	120,3	1063	2500
106	7,33	1,08	95,5	1132	2500
106	8,38	0,94	83,6	1164	2500

IHR061

Mn ₂ [Nm]	i	Pn ₁ [kW]	n ₂ [rpm]	Fr1 [N]	Fr2 [N]
106	1,34	5,89	520,9	1805	2948
138	2,13	4,84	329,4	2013	3378
149	2,57	4,31	272,2	2119	3593
149	3,17	3,50	221,1	2280	3700
159	3,69	3,22	189,8	2336	3700
159	4,00	2,97	175,0	2386	3700
170	4,77	2,65	146,8	2448	3700
181	5,25	2,56	133,3	2466	3700
181	5,82	2,31	120,3	2516	3700
181	7,33	1,83	95,5	2611	3700
181	8,38	1,61	83,6	2656	3700

IHR081

Mn ₂ [Nm]	i	Pn ₁ [kW]	n ₂ [rpm]	Fr1 [N]	Fr2 [N]
234	1,30	13,41	539,6	565	3183
255	1,43	13,29	490,0	588	3258
266	1,93	10,24	362,5	1151	3637
313	2,54	9,18	275,4	1346	3939
335	3,25	7,67	215,4	1625	4000
340	3,72	6,80	188,1	1785	4000
340	4,00	6,33	175,0	1872	4000
340	4,67	5,42	150,0	2039	4000
351	5,54	4,71	126,4	2170	4000
361	6,08	4,42	115,1	2224	4000
372	7,50	3,69	93,3	2358	4000
372	8,44	3,28	82,9	2435	4000

IHR101

Mn ₂ [Nm]	i	Pn ₁ [kW]	n ₂ [rpm]	Fr1 [N]	Fr2 [N]
468	1,29	26,92	541,5	1453	3913
510	1,41	26,92	496,4	1454	3988

IHR101

Mn_2 [Nm]	i	Pn_1 [kW]	n_2 [rpm]	Fr_1 [N]	Fr_2 [N]
510	2,03	18,68	344,4	2222	4596
611	2,48	18,33	282,1	2255	4821
648	3,27	14,74	213,9	2589	5000
648	3,70	13,04	189,2	2748	5000
648	4,22	11,43	165,8	2899	5000
659	4,88	10,06	143,6	3026	5000
659	5,27	9,31	132,9	3096	5000
680	6,23	8,13	112,3	3207	5000
691	7,55	6,81	92,8	3329	5000
691	8,40	6,12	83,3	3393	5000

IHR121

Mn_2 [Nm]	i	Pn_1 [kW]	n_2 [rpm]	Fr_1 [N]	Fr_2 [N]
723	1,23	43,70	568,8	527	4897
786	1,42	41,32	494,1	713	5103
786	1,81	32,40	387,5	1408	5601
829	2,00	30,85	350,0	1529	5779
871	2,48	26,15	282,3	1894	6000
871	2,95	21,95	236,9	2222	6000
893	3,14	21,14	222,7	2285	6000
903	3,58	18,79	195,6	2469	6000
903	4,12	16,33	170,0	2660	6000
924	4,80	14,34	145,8	2815	6000
935	5,21	13,35	134,2	2892	6000
956	6,25	11,39	112,0	3045	6000
1063	7,70	10,27	90,9	3132	6000

IHA32

Mn ₂ [Nm]	i	Pn ₁ [kW]	n ₂ [rpm]	Fr1 [N]	Fr2 [N]
86	5,38	0,85	93,0	330	1545
86	6,52	0,71	76,7	409	1647
81	8,11	0,53	61,6	373	1772
97	10,94	0,47	45,7	441	1958
86	13,25	0,35	37,7	363	2000
86	16,49	0,28	30,3	398	2000
97	20,26	0,26	24,7	453	2000
91	24,55	0,20	20,4	386	2000
86	30,55	0,15	16,4	374	2000
97	35,44	0,15	14,1	480	2000
97	44,10	0,12	11,3	398	2000
86	48,75	0,09	10,3	398	2000
102	60,67	0,09	8,2	472	2000

IHA33

Mn ₂ [Nm]	i	Pn ₁ [kW]	n ₂ [rpm]	Fr1 [N]	Fr2 [N]
108	51,32	0,11	9,7	472	2000
108	59,65	0,10	8,4	472	2000
108	72,27	0,08	6,9	472	2000
108	89,94	0,07	5,6	472	2000
108	110,51	0,05	4,5	472	2000
108	133,88	0,04	3,7	472	2000
108	166,61	0,04	3,0	472	2000
108	193,30	0,03	2,6	472	2000
108	240,55	0,02	2,1	472	2000
108	279,07	0,02	1,8	472	2000
108	347,29	0,02	1,4	472	2000

IHA41

Mn ₂ [Nm]	i	Pn ₁ [kW]	n ₂ [rpm]	Fr1 [N]	Fr2 [N]
27	1,45	0,98	345,2	330	721
27	2,94	0,48	169,8	330	914
32	4,75	0,36	105,3	330	1071
32	5,45	0,31	91,7	330	1100
27	7,88	0,18	63,5	330	1100
22	10,83	0,11	46,1	330	1100

IHA42

Mn_2 [Nm]	i	Pn_1 [kW]	n2 [rpm]	Fr1 [N]	Fr2 [N]
151	5,38	1,50	93,0	330	3253
151	6,52	1,23	76,7	409	3468
140	8,11	0,92	61,6	369	3730
161	10,94	0,79	45,7	424	4121
151	13,25	0,61	37,7	381	4300
151	16,49	0,49	30,3	398	4300
161	20,26	0,43	24,7	432	4300
167	24,55	0,36	20,4	422	4300
151	30,55	0,26	16,4	359	4300
161	35,44	0,24	14,1	457	4300
151	44,10	0,18	11,3	371	4300
124	48,75	0,14	10,3	416	4300
140	60,67	0,12	8,2	428	4300

IHA43

Mn_2 [Nm]	i	Pn_1 [kW]	n2 [rpm]	Fr1 [N]	Fr2 [N]
161	51,32	0,17	9,7	427	4300
161	59,65	0,15	8,4	426	4300
161	72,27	0,12	6,9	409	4300
161	89,94	0,10	5,6	398	4300
161	110,51	0,08	4,5	403	4300
161	133,88	0,07	3,7	409	4300
161	166,61	0,05	3,0	398	4300
161	193,30	0,05	2,6	427	4300
161	240,55	0,04	2,1	398	4300
161	279,07	0,03	1,8	427	4300
161	347,29	0,03	1,4	398	4300

IHA51

Mn_2 [Nm]	i	Pn_1 [kW]	n2 [rpm]	Fr1 [N]	Fr2 [N]
43	1,45	1,57	345,2	330	1987
43	2,94	0,77	169,8	330	2517
54	4,75	0,60	105,3	330	2952
54	5,45	0,52	91,7	330	3000
43	7,88	0,29	63,5	330	3000
27	10,83	0,13	46,1	330	3000

IHA52

Mn ₂ [Nm]	i	Pn ₁ [kW]	n ₂ [rpm]	Fr1 [N]	Fr2 [N]
258	5,14	2,68	97,2	550	4006
258	6,22	2,22	80,4	682	4269
258	7,73	1,78	64,7	664	4589
323	9,64	1,79	51,9	827	4940
301	11,67	1,38	42,9	636	5264
301	14,50	1,11	34,5	664	5659
323	16,91	1,02	29,6	758	5957
312	20,46	0,81	24,4	659	6000
301	25,43	0,63	19,7	641	6000
323	29,89	0,58	16,7	752	6000
323	36,17	0,48	13,8	682	6000
301	44,95	0,36	11,1	620	6000
323	49,78	0,35	10,0	798	6000
312	61,87	0,27	8,1	642	6000

IHA53

Mn ₂ [Nm]	i	Pn ₁ [kW]	n ₂ [rpm]	Fr1 [N]	Fr2 [N]
323	49,80	0,35	10,0	330	6000
323	60,25	0,29	8,3	409	6000
323	74,88	0,24	6,7	398	6000
323	88,02	0,20	5,7	421	6000
323	111,61	0,16	4,5	390	6000
323	138,71	0,13	3,6	398	6000
323	163,05	0,11	3,1	421	6000
323	200,27	0,09	2,5	403	6000
323	235,41	0,07	2,1	421	6000
323	284,81	0,06	1,8	409	6000
323	353,98	0,05	1,4	398	6000

IHA61

Mn ₂ [Nm]	i	Pn ₁ [kW]	n ₂ [rpm]	Fr1 [N]	Fr2 [N]
97	1,33	3,84	375,0	550	2893
97	2,50	2,05	200,0	550	3568
118	4,38	1,43	114,0	550	4303
97	7,75	0,66	64,5	550	4500
75	10,67	0,37	46,9	550	4500

IHA62

Mn ₂ [Nm]	i	Pn ₁ [kW]	n ₂ [rpm]	Fr1 [N]	Fr2 [N]
409	5,14	4,25	97,2	550	5913
409	6,22	3,51	80,4	682	6300
409	7,73	2,82	64,7	664	6774
495	9,64	2,74	51,9	801	7291
473	11,67	2,17	42,9	652	7769
452	14,50	1,66	34,5	634	8000
538	16,91	1,70	29,6	842	8000
495	20,46	1,29	24,4	627	8000
462	25,43	0,97	19,7	621	8000
484	29,89	0,87	16,7	734	8000
505	36,17	0,75	13,8	712	8000
473	44,95	0,56	11,1	621	8000
398	49,78	0,43	10,0	626	8000
473	61,87	0,41	8,1	789	8000

IHA63

Mn ₂ [Nm]	i	Pn ₁ [kW]	n ₂ [rpm]	Fr1 [N]	Fr2 [N]
516	49,80	0,57	10,0	330	8000
516	60,25	0,47	8,3	409	8000
516	74,88	0,38	6,7	398	8000
516	88,02	0,32	5,7	421	8000
516	111,61	0,25	4,5	390	8000
516	138,71	0,20	3,6	398	8000
516	163,05	0,17	3,1	421	8000
516	200,27	0,14	2,5	403	8000
516	235,41	0,12	2,1	421	8000
516	284,81	0,10	1,8	409	8000
516	353,98	0,08	1,4	398	8000

IH032

Mn ₂ [Nm]	i	Pn ₁ [kW]	n ₂ [rpm]	Fr1 [N]	Fr2 [N]
102	4,70	1,16	106,5	647	4553
113	6,23	0,97	80,3	773	4995
134	7,76	0,93	64,4	801	5241
140	8,87	0,84	56,4	855	5486
151	10,14	0,79	49,3	888	5500
156	11,76	0,71	42,5	943	5500
183	13,72	0,71	36,4	940	5500
183	14,66	0,67	34,1	970	5500

IH032

Mn_2 [Nm]	i	Pn_1 [kW]	n_2 [rpm]	Fr_1 [N]	Fr_2 [N]
204	16,77	0,65	29,8	980	5500
215	18,20	0,63	27,5	993	5500
215	19,90	0,58	25,1	1028	5500
215	22,68	0,51	22,1	1074	5500
215	23,83	0,48	21,0	1090	5500
215	26,39	0,44	18,9	1120	5500
215	29,70	0,39	16,8	1152	5500
215	32,89	0,35	15,2	1176	5500
215	37,92	0,30	13,2	1207	5500
215	41,40	0,28	12,1	1223	5500
215	47,25	0,24	10,6	1245	5500

IH033

Mn_2 [Nm]	i	Pn_1 [kW]	n_2 [rpm]	Fr_1 [N]	Fr_2 [N]
215	53,59	0,22	9,3	1264	5500
215	66,78	0,18	7,5	1292	5500
215	74,84	0,16	6,7	1304	5500
215	99,27	0,12	5,0	1328	5500
215	108,05	0,11	4,6	1335	5500
215	123,71	0,09	4,0	1343	5500
215	143,33	0,08	3,5	1352	5500
215	178,61	0,07	2,8	1362	5500
215	197,17	0,06	2,5	1366	5500
215	245,70	0,05	2,0	1373	5500

IH042

Mn_2 [Nm]	i	Pn_1 [kW]	n_2 [rpm]	Fr_1 [N]	Fr_2 [N]
172	5,46	1,68	91,5	359	5916
172	7,19	1,28	69,6	616	6600
226	8,91	1,35	56,1	568	6600
258	10,31	1,34	48,5	579	6600
269	11,80	1,22	42,4	655	6600
269	13,57	1,06	36,8	756	6600
269	15,96	0,90	31,3	857	6600
269	19,00	0,76	26,3	948	6600
269	21,00	0,68	23,8	994	6600
280	23,15	0,65	21,6	1018	6600
280	26,04	0,57	19,2	1064	6600
301	27,50	0,59	18,2	1057	6600

IH042

Mn_2 [Nm]	i	Pn_1 [kW]	n_2 [rpm]	Fr_1 [N]	Fr_2 [N]
301	30,45	0,53	16,4	1093	6600
301	34,10	0,47	14,7	1129	6600
301	37,76	0,43	13,2	1158	6600
301	43,75	0,37	11,4	1195	6600
301	47,53	0,34	10,5	1213	6600
301	54,25	0,30	9,2	1240	6600

IH043

Mn_2 [Nm]	i	Pn_1 [kW]	n_2 [rpm]	Fr_1 [N]	Fr_2 [N]
323	61,83	0,28	8,1	1251	6600
323	76,67	0,23	6,5	1286	6600
323	87,05	0,20	5,7	1303	6600
323	114,55	0,15	4,4	1333	6600
323	125,69	0,14	4,0	1341	6600
323	142,04	0,12	3,5	1351	6600
323	165,38	0,11	3,0	1362	6600
323	205,07	0,09	2,4	1375	6600
323	227,50	0,08	2,2	1380	6600
323	282,10	0,06	1,8	1390	6600

IH052

Mn_2 [Nm]	i	Pn_1 [kW]	n_2 [rpm]	Fr_1 [N]	Fr_2 [N]
280	5,73	2,61	87,3	174	7357
312	6,89	2,42	72,5	264	7730
366	8,53	2,29	58,6	323	8000
398	9,56	2,22	52,3	355	8000
419	11,51	1,95	43,4	485	8000
462	14,24	1,74	35,1	584	8000
484	16,59	1,56	30,1	667	8000
495	18,00	1,47	27,8	709	8000
495	19,97	1,32	25,0	777	8000
505	21,67	1,25	23,1	813	8000
505	24,71	1,09	20,2	885	8000
527	26,18	1,08	19,1	894	8000
527	28,44	0,99	17,6	934	8000
527	31,52	0,89	15,9	979	8000
527	33,00	0,85	15,2	998	8000
527	38,98	0,72	12,8	1059	8000
527	45,36	0,62	11,0	1107	8000

IH052

Mn_2 [Nm]	i	Pn_1 [kW]	n_2 [rpm]	Fr_1 [N]	Fr_2 [N]
527	49,13	0,57	10,2	1129	8000
527	56,11	0,50	8,9	1163	8000

IH053

Mn_2 [Nm]	i	Pn_1 [kW]	n_2 [rpm]	Fr_1 [N]	Fr_2 [N]
538	58,81	0,50	8,5	1169	8000
538	72,75	0,40	6,9	1213	8000
538	90,51	0,32	5,5	1249	8000
538	108,95	0,27	4,6	1275	8000
538	134,76	0,22	3,7	1298	8000
538	157,29	0,19	3,2	1313	8000
538	194,56	0,15	2,6	1329	8000
538	216,38	0,14	2,3	1336	8000
538	267,65	0,11	1,9	1348	8000

IH062

Mn_2 [Nm]	i	Pn_1 [kW]	n_2 [rpm]	Fr_1 [N]	Fr_2 [N]
538	5,38	5,35	93,0	703	11929
591	5,93	5,33	84,2	712	12000
591	7,39	4,28	67,7	1131	12000
645	8,50	4,06	58,8	1219	12000
645	9,39	3,67	53,3	1372	12000
699	11,69	3,20	42,8	1563	12000
753	12,67	3,18	39,5	1571	12000
753	14,75	2,73	33,9	1751	12000
860	16,29	2,82	30,7	1713	12000
892	17,67	2,70	28,3	1762	12000
914	20,28	2,41	24,6	1878	12000
914	23,27	2,10	21,5	2002	12000
914	25,70	1,90	19,5	2081	12000
860	29,33	1,57	17,1	2215	12000
914	32,00	1,53	15,6	2231	12000
860	36,99	1,24	13,5	2345	12000
914	40,33	1,21	12,4	2357	12000
914	46,06	1,06	10,8	2417	12000

IH063

Mn ₂ [Nm]	i	Pn ₁ [kW]	n ₂ [rpm]	Fr1 [N]	Fr2 [N]
914	49,45	1,01	10,1	2447	12000
914	54,61	0,91	9,2	2484	12000
914	68,00	0,73	7,3	2554	12000
914	85,82	0,58	5,8	2614	12000
914	94,76	0,53	5,3	2635	12000
914	118,00	0,42	4,2	2676	12000
914	135,40	0,37	3,7	2697	12000
914	149,51	0,33	3,3	2711	12000
914	170,67	0,29	2,9	2727	12000
914	186,18	0,27	2,7	2737	12000
914	215,21	0,23	2,3	2751	12000
914	234,67	0,21	2,1	2758	12000
914	268,00	0,19	1,9	2769	12000

IH082

Mn ₂ [Nm]	i	Pn ₁ [kW]	n ₂ [rpm]	Fr1 [N]	Fr2 [N]
753	5,39	7,47	92,8	651	14821
753	5,95	6,77	84,1	872	15430
860	7,39	6,22	67,6	1045	16361
860	8,02	5,73	62,3	1198	16918
968	8,85	5,84	56,5	1163	17122
1183	11,01	5,74	45,4	1195	17763
1505	13,50	5,96	37,0	1126	17920
1613	14,90	5,79	33,6	1181	18000
1613	16,62	5,19	30,1	1370	18000
1613	18,53	4,65	27,0	1539	18000
1720	19,38	4,74	25,8	1510	18000
1720	21,39	4,30	23,4	1651	18000
1720	22,80	4,03	21,9	1735	18000
1720	26,60	3,46	18,8	1917	18000
1720	27,88	3,30	17,9	1967	18000
1720	31,15	2,95	16,1	2076	18000
1720	34,38	2,68	14,6	2164	18000
1720	38,70	2,38	12,9	2258	18000
1720	42,75	2,15	11,7	2329	18000
1720	48,13	1,91	10,4	2405	18000

IH083

Mn ₂ [Nm]	i	Pn ₁ [kW]	n ₂ [rpm]	Fr1 [N]	Fr2 [N]
1720	56,53	1,66	8,8	2494	18000
1935	71,48	1,48	7,0	2551	18000
1935	78,87	1,34	6,3	2594	18000
1935	85,56	1,24	5,8	2626	18000
1935	98,09	1,08	5,1	2675	18000
1935	112,78	0,94	4,4	2718	18000
1935	124,44	0,85	4,0	2746	18000
1935	142,15	0,74	3,5	2778	18000
1935	154,76	0,68	3,2	2797	18000
1935	162,35	0,65	3,1	2807	18000
1935	179,13	0,59	2,8	2826	18000
1935	195,07	0,54	2,6	2841	18000
1935	222,78	0,47	2,2	2861	18000

IH102

Mn ₂ [Nm]	i	Pn ₁ [kW]	n ₂ [rpm]	Fr1 [N]	Fr2 [N]
1935	5,26	19,66	95,0	1554	16910
2150	6,36	18,09	78,7	1757	17669
2473	7,05	18,75	70,9	1671	17355
2688	8,27	17,37	60,4	1850	18004
3010	9,99	16,11	50,0	2012	18611
3225	11,09	15,56	45,1	2083	18853
3333	13,32	13,37	37,5	2365	20412
3440	16,09	11,43	31,1	2616	22000
3440	17,85	10,30	28,0	2761	22000
3440	19,85	9,27	25,2	2895	22000
3440	21,44	8,58	23,3	2984	22000
3548	23,97	7,91	20,9	3070	22000
3548	25,89	7,33	19,3	3146	22000
3548	28,73	6,60	17,4	3239	22000
3440	30,72	5,99	16,3	3319	22000
3440	34,20	5,38	14,6	3397	22000
3010	38,45	4,19	13,0	3551	22000
3548	41,30	4,59	12,1	3499	22000
3548	45,82	4,14	10,9	3557	22000
3548	51,52	3,68	9,7	3616	22000

IH103

Mn ₂ [Nm]	i	Pn ₁ [kW]	n ₂ [rpm]	Fr1 [N]	Fr2 [N]
3763	55,47	3,70	9,0	3623	22000
3763	69,69	2,95	7,2	3719	22000
3763	79,82	2,57	6,3	3766	22000
3763	84,16	2,44	5,9	3783	22000
3763	93,36	2,20	5,4	3813	22000
3763	100,07	2,05	5,0	3832	22000
3763	120,84	1,70	4,1	3877	22000
3763	134,06	1,53	3,7	3898	22000
3763	143,42	1,43	3,5	3910	22000
3763	160,82	1,28	3,1	3930	22000
3763	181,07	1,13	2,8	3948	22000
3763	194,21	1,06	2,6	3958	22000
3763	215,45	0,95	2,3	3971	22000
3870	242,59	0,87	2,1	3981	22000

IH122

Mn ₂ [Nm]	i	Pn ₁ [kW]	n ₂ [rpm]	Fr1 [N]	Fr2 [N]
3225	5,27	32,69	94,8	534	24467
3440	5,78	31,85	86,6	624	24843
3870	7,05	29,35	70,9	891	25926
3978	7,74	27,47	64,6	1092	26799
4085	8,48	25,77	59,0	1274	27668
4300	10,35	22,22	48,3	1653	29780
4730	12,66	19,97	39,5	1894	30000
4945	13,86	19,07	36,1	1990	30000
5160	16,92	16,30	29,6	2286	30000
5375	19,32	14,87	25,9	2439	30000
5375	20,57	13,97	24,3	2536	30000
5375	22,52	12,76	22,2	2665	30000
5375	24,47	11,75	20,4	2773	30000
5375	27,49	10,45	18,2	2912	30000
5375	29,86	9,62	16,7	3000	30000
5375	33,00	8,71	15,2	3098	30000
5375	36,13	7,95	13,8	3179	30000
5375	44,10	6,52	11,3	3332	30000

IH123

Mn ₂ [Nm]	i	Pn ₁ [kW]	n ₂ [rpm]	Fr1 [N]	Fr2 [N]
5375	45,77	6,41	10,9	3358	30000

IH123

Mn ₂ [Nm]	i	Pn ₁ [kW]	n ₂ [rpm]	Fr1 [N]	Fr2 [N]
5375	55,87	5,25	8,9	3479	30000
5375	67,32	4,36	7,4	3573	30000
5375	73,71	3,98	6,8	3612	30000
5375	83,34	3,52	6,0	3660	30000
5375	89,97	3,26	5,6	3688	30000
5375	100,29	2,93	5,0	3723	30000
5375	108,34	2,71	4,6	3746	30000
5375	118,62	2,47	4,2	3770	30000
5375	128,18	2,29	3,9	3789	30000
5375	144,79	2,03	3,5	3817	30000
5375	155,22	1,89	3,2	3831	30000
5375	172,80	1,70	2,9	3851	30000
5375	189,19	1,55	2,6	3867	30000
5375	207,43	1,41	2,4	3881	30000
5375	230,92	1,27	2,2	3896	30000

IH142

Mn ₂ [Nm]	i	Pn ₁ [kW]	n ₂ [rpm]	Fr1 [N]	Fr2 [N]
4945	5,27	50,13	94,8	4695	31484
5268	6,36	44,32	78,7	5370	33486
5375	7,04	40,80	71,0	5778	34880
5698	7,84	38,84	63,8	6007	35776
6988	9,45	39,54	52,9	5926	35303
7740	10,47	39,52	47,7	5928	35010
7848	13,07	32,10	38,2	6790	39149
8385	15,75	28,47	31,8	7212	41556
8493	17,45	26,01	28,6	7497	43556
8600	20,04	22,94	24,9	7854	46487
8600	24,15	19,04	20,7	8307	51117
8600	26,76	17,18	18,7	8523	53795
8600	32,24	14,26	15,5	8863	55000
8600	38,85	11,84	12,9	9145	55000
8600	43,05	10,68	11,6	9279	55000

IH143

Mn ₂ [Nm]	i	Pn ₁ [kW]	n ₂ [rpm]	Fr1 [N]	Fr2 [N]
8600	48,35	9,71	10,3	9415	55000
8600	53,53	8,77	9,3	9522	55000
8600	59,22	7,93	8,4	9618	55000

IH143

Mn_2 [Nm]	i	Pn_1 [kW]	n_2 [rpm]	Fr_1 [N]	Fr_2 [N]
8600	62,99	7,46	7,9	9672	55000
8600	71,35	6,58	7,0	9771	55000
8600	79,07	5,94	6,3	9844	55000
8600	86,43	5,43	5,8	9902	55000
8600	96,21	4,88	5,2	9964	55000
8600	104,51	4,49	4,8	10009	55000
8600	115,92	4,05	4,3	10059	55000
8600	128,47	3,66	3,9	10104	55000
8600	139,55	3,37	3,6	10137	55000
8600	154,33	3,04	3,2	10174	55000
8600	185,96	2,53	2,7	10232	55000
8600	206,08	2,28	2,4	10260	55000

IHR041

Mn_2 [Nm]	i	Pn_1 [kW]	n_2 [rpm]	Fr_1 [N]	Fr_2 [N]
30	1,44	1,11	347,8	919	923
30	2,00	0,80	250,0	1046	1000
37	2,55	0,76	196,4	1061	1000
37	2,71	0,71	184,2	1080	1000
47	3,11	0,81	161,0	1042	1000
48	3,59	0,71	139,3	1080	1000
48	4,20	0,61	119,0	1122	1000
48	5,00	0,51	100,0	1162	1000
54	5,50	0,52	90,9	1160	1000
54	6,09	0,47	82,1	1180	1000
54	7,67	0,37	65,2	1219	1000
59	8,75	0,36	57,1	1224	1000

IHR051

Mn_2 [Nm]	i	Pn_1 [kW]	n_2 [rpm]	Fr_1 [N]	Fr_2 [N]
48	1,27	2,01	392,9	707	2304
70	1,42	2,61	352,3	504	2271
70	2,13	1,74	235,3	799	2500
81	2,57	1,66	194,4	827	2500
91	3,17	1,53	157,9	872	2500
97	3,69	1,39	135,6	919	2500
97	4,00	1,28	125,0	956	2500
102	4,77	1,13	104,8	1006	2500
108	5,25	1,08	95,2	1023	2500

IHR051

Mn_2 [Nm]	i	Pn_1 [kW]	n2 [rpm]	Fr1 [N]	Fr2 [N]
108	5,82	0,98	85,9	1060	2500
108	7,33	0,78	68,2	1128	2500
108	8,38	0,68	59,7	1161	2500

IHR061

Mn_2 [Nm]	i	Pn_1 [kW]	n2 [rpm]	Fr1 [N]	Fr2 [N]
108	1,34	4,23	372,1	1791	3343
140	2,13	3,48	235,3	2002	3700
151	2,57	3,10	194,4	2109	3700
151	3,17	2,51	157,9	2272	3700
161	3,69	2,31	135,6	2328	3700
161	4,00	2,13	125,0	2379	3700
172	4,77	1,91	104,8	2442	3700
183	5,25	1,84	95,2	2460	3700
183	5,82	1,66	85,9	2511	3700
183	7,33	1,32	68,2	2607	3700
183	8,38	1,15	59,7	2653	3700

IHR081

Mn_2 [Nm]	i	Pn_1 [kW]	n2 [rpm]	Fr1 [N]	Fr2 [N]
237	1,30	9,65	385,4	536	3614
258	1,43	9,56	350,0	560	3703
269	1,93	7,36	258,9	1128	4000
317	2,54	6,60	196,7	1326	4000
339	3,25	5,51	153,8	1609	4000
344	3,72	4,89	134,3	1770	4000
344	4,00	4,55	125,0	1858	4000
344	4,67	3,90	107,1	2027	4000
355	5,54	3,39	90,3	2160	4000
366	6,08	3,18	82,2	2214	4000
376	7,50	2,65	66,7	2350	4000
376	8,44	2,36	59,2	2427	4000

IHR101

Mn_2 [Nm]	i	Pn_1 [kW]	n2 [rpm]	Fr1 [N]	Fr2 [N]
473	1,29	19,36	386,8	1424	4447
516	1,41	19,36	354,6	1424	4537

IHR101

Mn ₂ [Nm]	i	Pn ₁ [kW]	n ₂ [rpm]	Fr1 [N]	Fr2 [N]
516	2,03	13,44	246,0	2202	5000
618	2,48	13,18	201,5	2235	5000
656	3,27	10,60	152,8	2573	5000
656	3,70	9,38	135,1	2734	5000
656	4,22	8,22	118,4	2886	5000
667	4,88	7,23	102,6	3015	5000
667	5,27	6,70	94,9	3086	5000
688	6,23	5,84	80,2	3198	5000
699	7,55	4,90	66,3	3321	5000
699	8,40	4,40	59,5	3387	5000

IHR121

Mn ₂ [Nm]	i	Pn ₁ [kW]	n ₂ [rpm]	Fr1 [N]	Fr2 [N]
731	1,23	31,43	406,2	487	5556
796	1,42	29,71	352,9	675	5794
796	1,81	23,30	276,8	1378	6000
839	2,00	22,19	250,0	1500	6000
882	2,48	18,81	201,6	1871	6000
882	2,95	15,79	169,2	2202	6000
903	3,14	15,20	159,1	2266	6000
914	3,58	13,51	139,7	2451	6000
914	4,12	11,74	121,4	2645	6000
935	4,80	10,31	104,2	2802	6000
946	5,21	9,60	95,9	2880	6000
968	6,25	8,19	80,0	3035	6000
1075	7,70	7,39	64,9	3123	6000

All supplies effected by MOTOVARIO are governed exclusively by the general terms of sale that you can find on our website:

<http://www.motovario.com/eng/corporate/sales-conditions>

