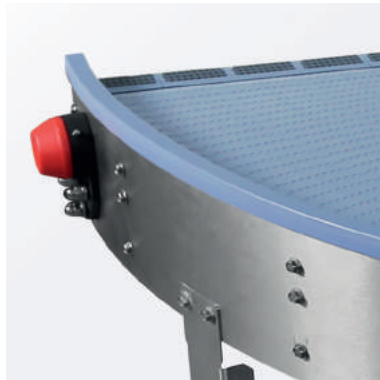
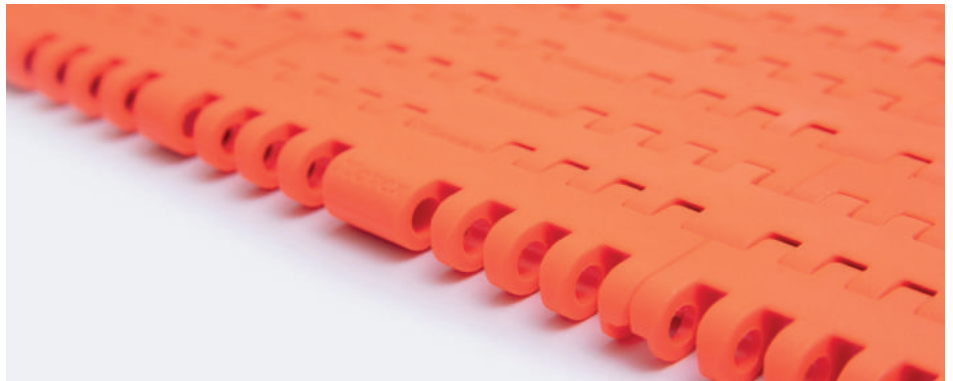
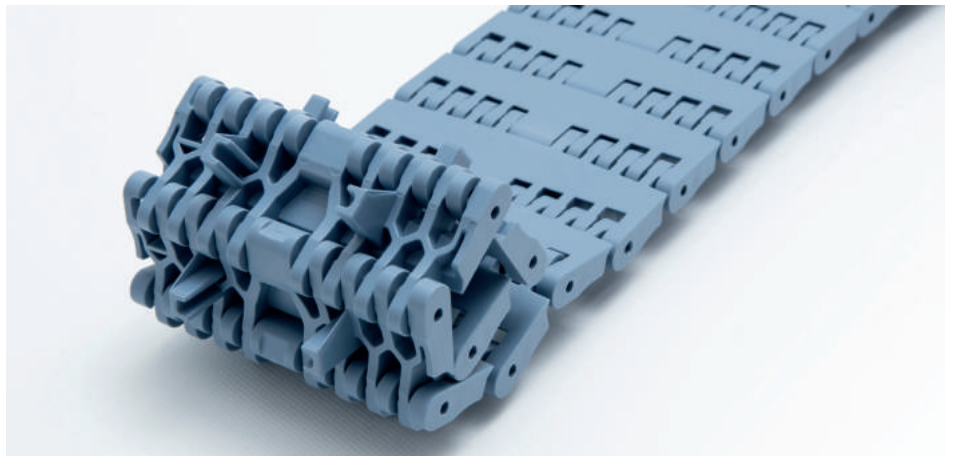


movexii.com



Metric Version
2019



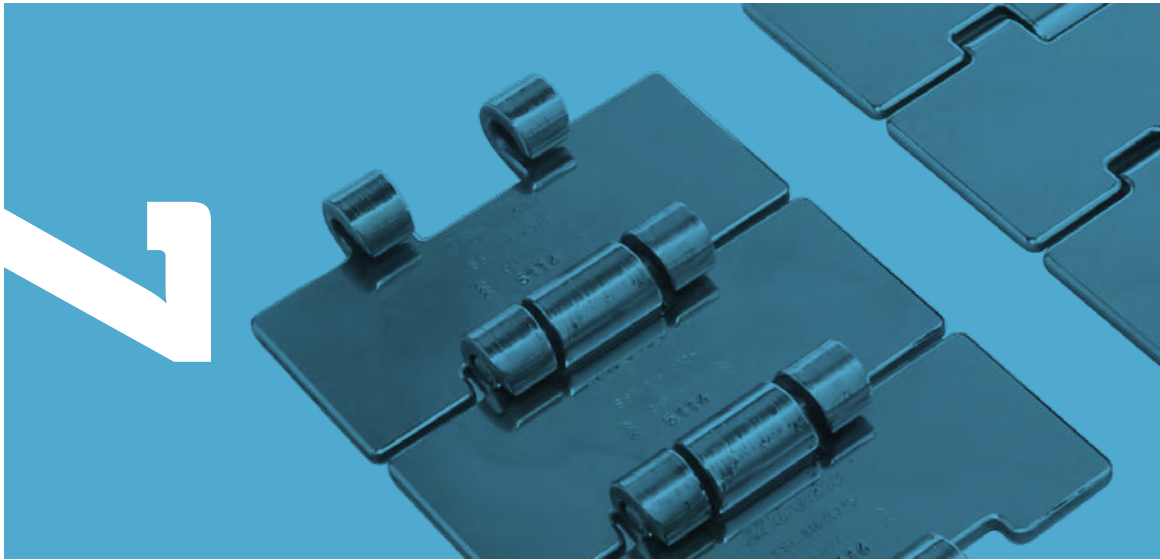
Movex[®]
PRODUCT CATALOG

Sommario














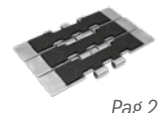





Table of contents / Inhaltsverzeichnis

	Catene in acciaio <i>Steel chains / Scharnierbandketten aus Edelstahl</i>	Pag 07
	Catene in plastica <i>Plastic chains / Scharnierbandketten aus Kunststoff</i>	Pag 29
	Ruote dentate per catene <i>Chain sprockets / Kettenräder für Scharnierbandketten</i>	Pag 81
	Ruote folli per catene <i>Chain idler wheels / Umlenkrollen für Scharnierbandketten</i>	Pag 107
	Curve magnetiche, Tab & Bevel <i>Magnetic, Tab & Bevel corner tracks / Kurvenführungen Magnet, Tab & Bevel Version</i>	Pag 111
	Tappeti modulari <i>Modular belts / Mattenketten</i>	Pag 173
	Ruote per tappeti <i>Belt sprockets / Kettenräder für Mattenketten</i>	Pag 265
	Guide estruse <i>Extruded profiles / Extrudiertes Profil</i>	Pag 289
	Componenti di ritorno <i>Return components / Rückführelemente</i>	Pag 347
	Componenti <i>Conveyor components / Komponenten</i>	Pag 359
	Componenti di supporto <i>Conveyor support components / Stützelemente</i>	Pag 413
	Cuscinetti <i>Bearing supports / Flanschlager</i>	Pag 429
	Piedi <i>Leveling pads / Gelenkfüsse</i>	Pag 455
	Manuale posizionamento ruote <i>Sprockets position manual / Einbauhinweise kettenräder</i>	Pag 481
	Materiali <i>Materials / Materialien</i>	Pag 515





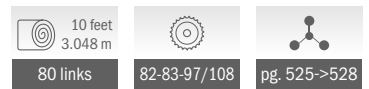
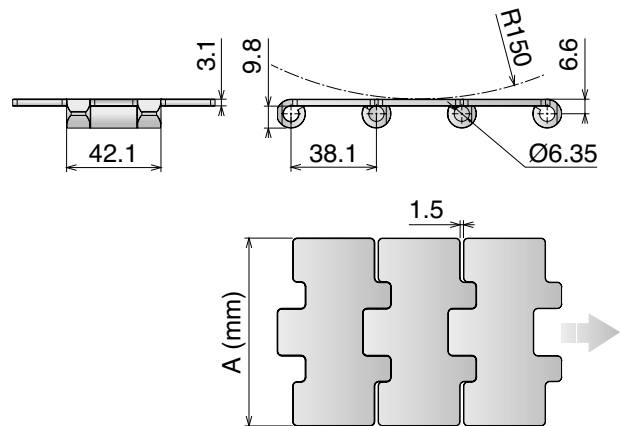
Steel chains

812/815  Pag 8/9	802/805  Pag 10	8157  Pag 10	512  Pag 11	881 M  Pag 12/13	881 TAB  Pag 14
881 B  Pag 15	8811 TAB  Pag 16	8811 B  Pag 17	8857 M  Pag 18	815 MINI  Pag 19	812 GT/815 GT  Pag 20
815 TAB GT  Pag 21	802 GT/805 GT  Pag 22	8157 GT  Pag 23	8811 TAB GT  Pag 24	881 M GT  Pag 25	8857 M GT  Pag 26
1874 TAB  Pag 27					

815 Catena rettilinea Straight running chain / Geradegängige Scharnierbandkette

Delivery: **Easy** **Standard**

Pins: Martensitic 1.4057 | Backflex radius min.: 150 mm

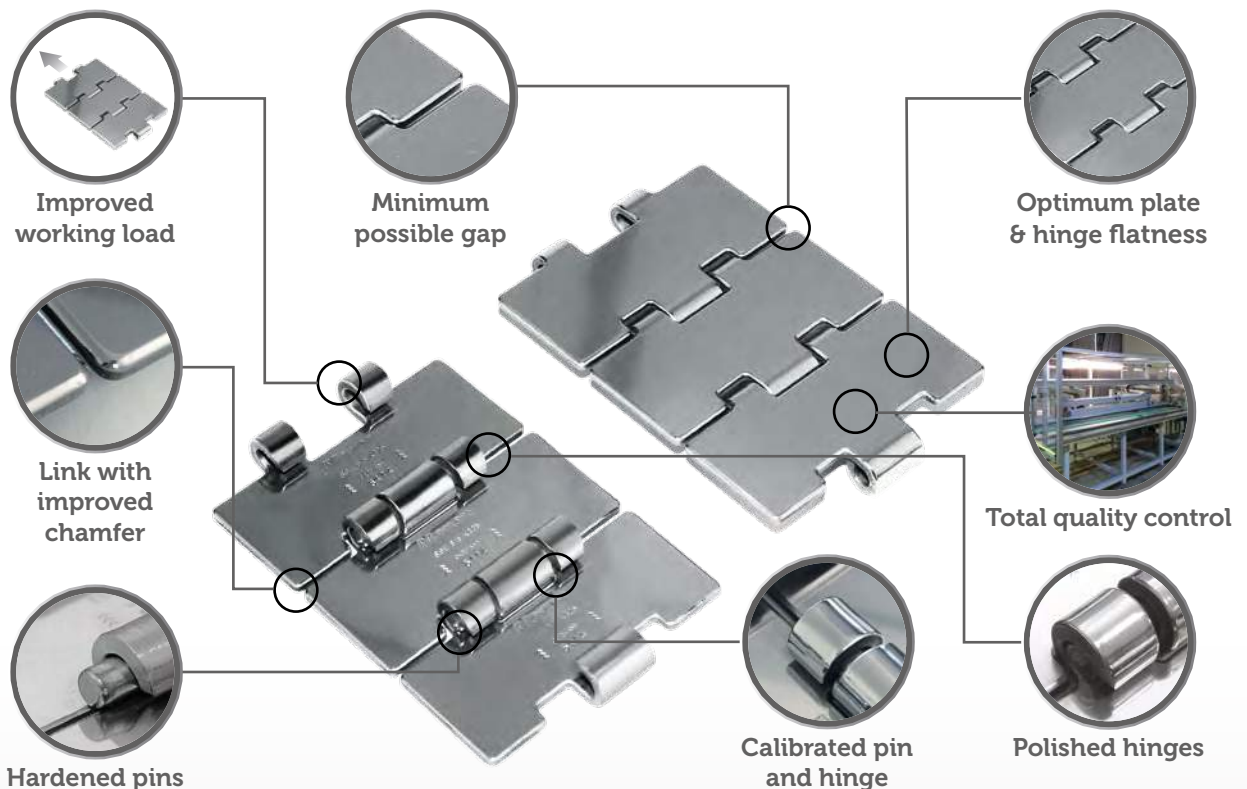


Article-Nr.	Ref.	A (Plate Width) mm	Weight kg/m	Surface finish µm	Surface Flatness mm	Polished Hinge eyes	Max working load (N)	Plate Thickness mm
-------------	------	--------------------	-------------	-------------------	---------------------	---------------------	----------------------	--------------------

SSM Max Speed - Hardened pins

10010302	SSM 815 K325	82,5	2,55	0,2	0,08	YES	6000	3,1
10010303	SSM 815 K330	83,8	2,59	0,2	0,08	YES		

Max Speed High Performance

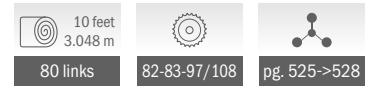
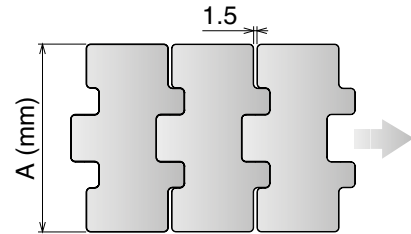
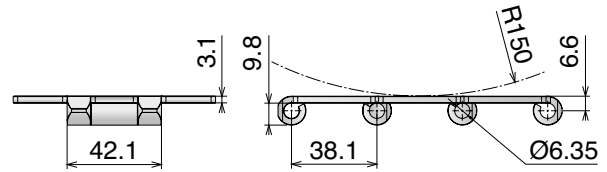


812/815

Catena rettilinea
Straight running chain / Geradegängige Scharnierbandkette

Delivery: **Easy** **Standard**

Pins: Martensitic 1.4057 | Backflex radius min.: 150 mm



Article-Nr.	Ref.	A (Plate Width) mm	Weight kg/m	Surface finish µm	Surface Flatness mm	Polished Hinge eyes	Max working load (N)	Plate Thickness mm
-------------	------	--------------------	-------------	-------------------	---------------------	---------------------	----------------------	--------------------

SS Ferritic Stainless Steel (1.4016)

10010216	SS 812 K300	76,2	2,50	0,5	0,15	NO	5400	3,1
10010202	SS 812 K325	82,5	2,55	0,5	0,15	NO		
10010203	SS 812 K330	83,8	2,59	0,5	0,15	NO		
10010204	SS 812 K350	88,9	2,69	0,5	0,15	NO		
10010214	SS 812 K400	101,6	3,00	0,5	0,15	NO		
10010205	SS 812 K450	114,3	3,25	0,5	0,20	NO		
10010206	SS 812 K600	152,4	4,15	0,5	0,30	NO		
10010207	SS 812 K750	190,5	5,05	0,5	0,30	NO		

SSE Specially treated Ferritic Stainless Steel (1.4589) - Hardened pins

10010102	SSE 815 K325	82,5	2,55	0,3	0,10	YES	6000	3,1
10010103	SSE 815 K330	83,8	2,59	0,3	0,10	YES		
10010104	SSE 815 K350	88,9	2,69	0,3	0,15	NO		
10010114	SSE 815 K400	101,6	3,00	0,3	0,15	NO		
10010105	SSE 815 K450	114,3	3,25	0,3	0,20	NO		
10010106	SSE 815 K600	152,4	4,15	0,3	0,30	NO		
10010107	SSE 815 K750	190,5	5,05	0,3	0,30	NO		

SSA Austenitic Stainless Steel (AISI 304) - Austenitic pin

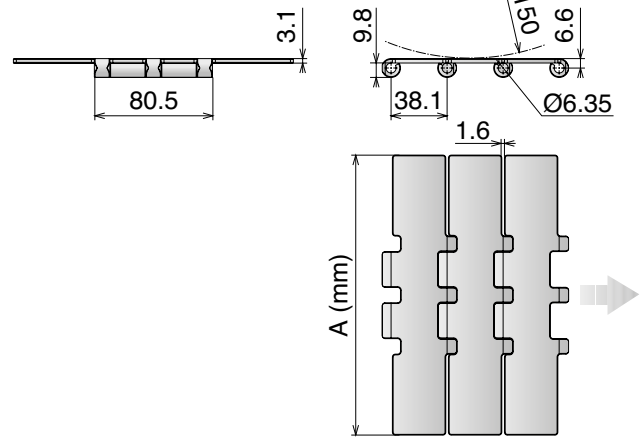
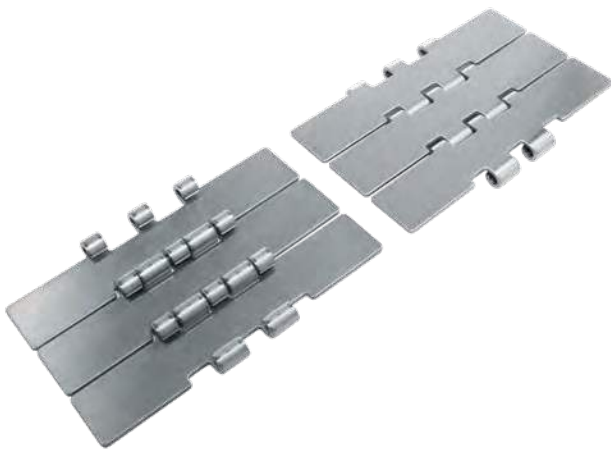
10010402	SSA 815 K325	82,5	2,55	0,5	0,15	NO	5300	3,1
10010403	SSA 815 K330	83,8	2,59	0,5	0,15	NO		
10010404	SSA 815 K350	88,9	2,69	0,5	0,15	NO		
10010405	SSA 815 K450	114,3	3,25	0,5	0,20	NO		
10010406	SSA 815 K600	152,4	4,15	0,5	0,30	NO		
10010407	SSA 815 K750	190,5	5,05	0,5	0,30	NO		

802/805

Catena rettilinea
Straight running chain / Geradegängige Scharnierbandkette

Delivery: **Easy** **Standard**

Pins: Martensitic 1.4057 | Backflex radius min.: 150 mm



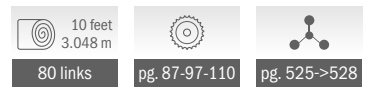
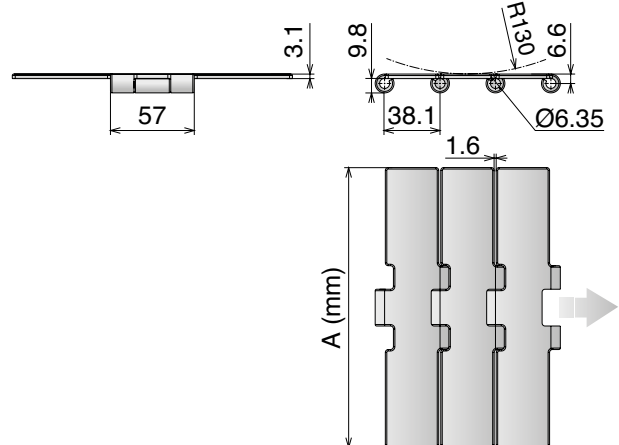
Article-Nr.	Ref.	A (Plate Width) mm	Weight kg/m	Surface finish µm	Max working load (N)	Plate Thickness mm
SS Ferritic Stainless Steel (1.4016)						
10030207	SS 802 K750	190,5	5,80	0,6	7000	3,1
SSE Specially treated Ferritic Stainless Steel (1.4589) - Hardened pins						
10030107	SSE 805 K750	190,5	5,80	0,3	9000	3,1
SSA Austenitic Stainless Steel (AISI 304) - Austenitic pin						
10030407	SSA 805 K750	190,5	5,80	0,6	8700	3,1

8157

Catena rettilinea
Straight running chain / Geradegängige Scharnierbandkette

Delivery: **Easy** **Standard**

Pins: Martensitic 1.4057 | Backflex radius min.: 130 mm



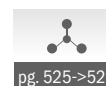
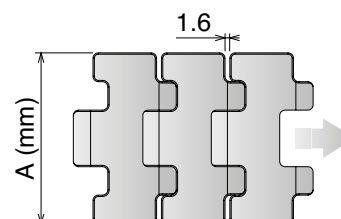
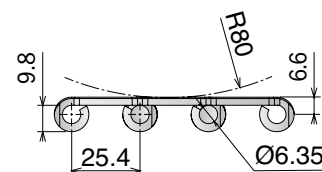
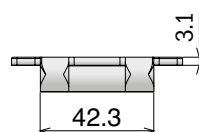
Article-Nr.	Ref.	A (Plate Width) mm	Weight kg/m	Surface finish µm	Max working load (N)	Plate Thickness mm
SSE Specially treated Ferritic Stainless Steel (1.4589) - Hardened pins						
10050107	SSE 8157 K750	190,5	5,60	0,3	7000	3,1

512

Catena rettilinea
Straight running chain / Geradegängige Scharnierbandkette

Delivery: **Easy** **Standard**

Pins: Martensitic 1.4057 | Backflex radius min.: 80 mm



Article-Nr.	Ref.	A (Plate Width) mm	Weight kg/m	Surface finish μm	Max working load (N)	Plate Thickness mm
-------------	------	--------------------	-------------	------------------------------	----------------------	--------------------

SSE Specially treated Ferritic Stainless Steel (1.4589) - Hardened pins

10070100	SSE 512 K217	55,1	2,30	0,3	5000	3,1
10070101	SSE 512 K236	59,9	2,40	0,3		
10070108	SSE 512 K250	63,5	2,45	0,3		
10070109	SSE 512 K283	71,9	2,65	0,3		
10070102	SSE 512 K325	82,5	2,90	0,3		
10070104	SSE 512 K350	88,9	3,00	0,3		
10070114	SSE 512 K400	101,6	3,30	0,3		

SSA Austenitic Stainless Steel (AISI 304) - Austenitic pin

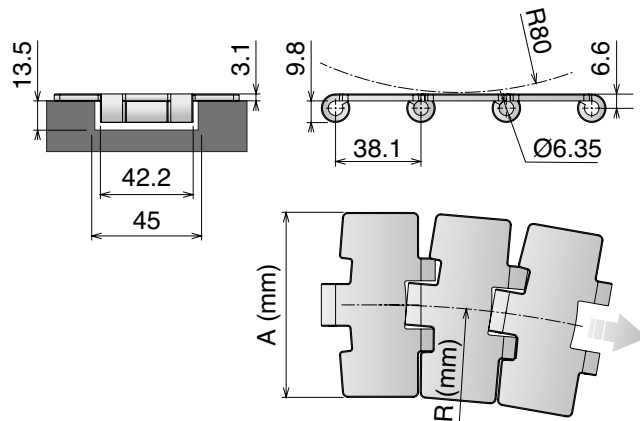
10070400	SSA 512 K217	55,1	2,30	0,3	4500	3,1
10070401	SSA 512 K236	59,9	2,40	0,3		
10070408	SSA 512 K250	63,5	2,45	0,3		
10070409	SSA 512 K283	71,9	2,65	0,3		
10070414	SSA 512 K400	101,6	3,30	0,3		

881 M

Catena curvilinea
Sideflexing chain / Kurvengängige Scharnierbandkette

Delivery: **Easy** **Standard**

Pins: Martensitic 1.4057 | Backflex radius min.: 80 mm



Magnetic System

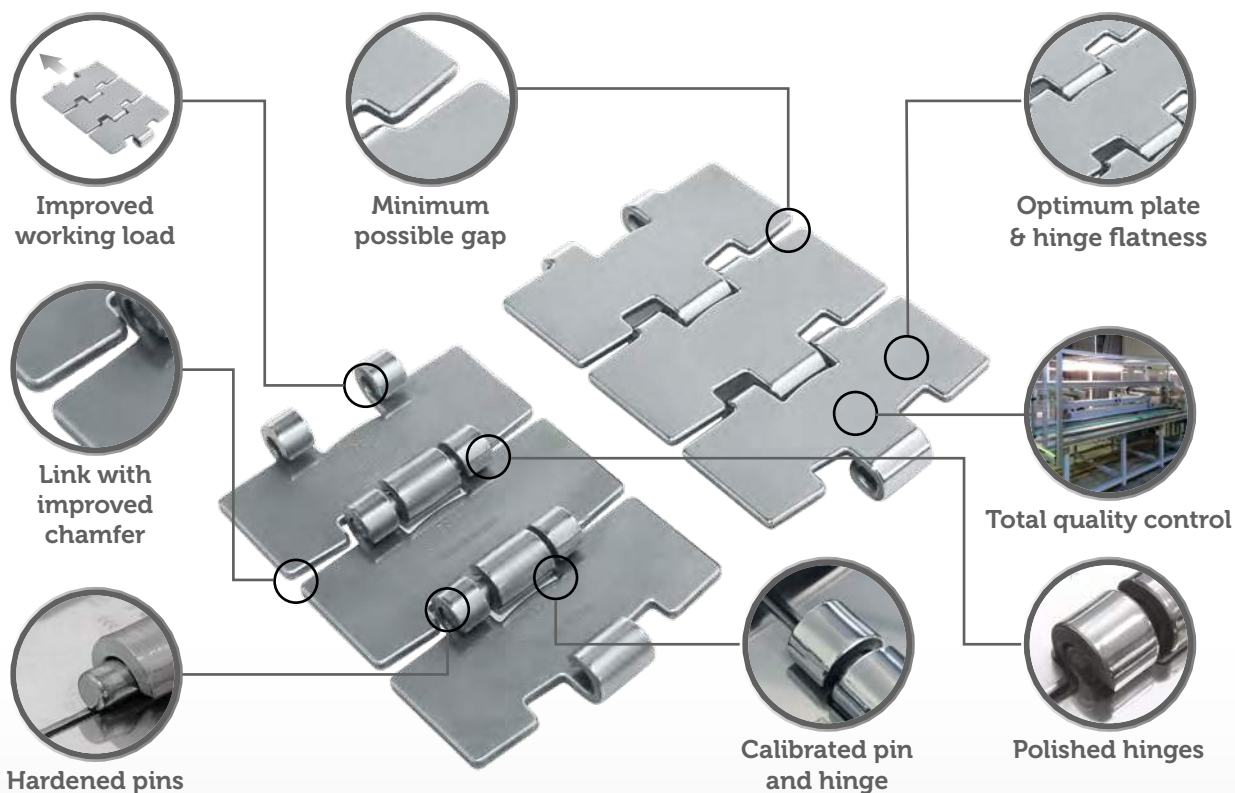
10 feet 3.048 m			
80 links	pg. 84-85/110	pg. 115->130	pg. 525->528

Article-Nr.	Ref.	A (Plate Width) mm	R mm	Weight kg/m	Surface finish µm	Surface Flatness mm	Polished Hinge eyes	Max working load (N)	Plate Thickness mm
-------------	------	--------------------	------	-------------	-------------------	---------------------	---------------------	----------------------	--------------------

SSM Max Speed - Hardened pins

10080302	SSM 881 M0 K325	82,5	500	2,55	0,2	0,08	YES	6000	3,1
10080303	SSM 881 M0 K330	83,8	500	2,59	0,2	0,08	YES		

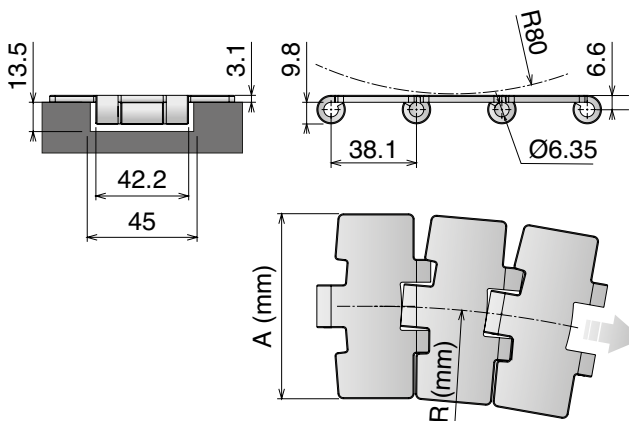
Max Speed High Performance



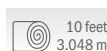
881 M Catena curvilinea Sideflexing chain / Kurvengängige Scharnierbandkette

Delivery: **Easy** **Standard**

Pins: Martensitic 1.4057 | Backflex radius min.: 80 mm



Magnetic System



80 links



pg. 84-85/110



pg. 115->130



pg. 525->528

Article-Nr.	Ref.	A (Plate Width) mm	R mm	Weight kg/m	Surface finish µm	Surface Flatness mm	Polished Hinge eyes	Max working load (N)	Plate Thickness mm
-------------	------	--------------------	------	-------------	-------------------	---------------------	---------------------	----------------------	--------------------

SS Ferritic Stainless Steel (1.4016)

10080202	SS 881 MO K325	82,5	500	2,55	0,5	0,15	YES	5400	3,1
10080203	SS 881 MO K330	83,8	500	2,59	0,5	0,15	YES		
10080205	SS 881 MO K450	114,3	500	3,10	0,5	0,20	YES		
10080207	SS 881 MO K750	190,5	500	4,85	0,5	0,30	YES		

SSE Specially treated Ferritic Stainless Steel (1.4589) - Hardened pins

10080102	SSE 881 MO K325	82,5	500	2,55	0,3	0,10	YES	6000	3,1
10080103	SSE 881 MO K330	83,8	500	2,59	0,3	0,10	YES		
10080105	SSE 881 MO K450	114,3	500	3,10	0,3	0,20	YES		
10080107	SSE 881 MO K750	190,5	500	4,85	0,3	0,30	YES		

881 TAB

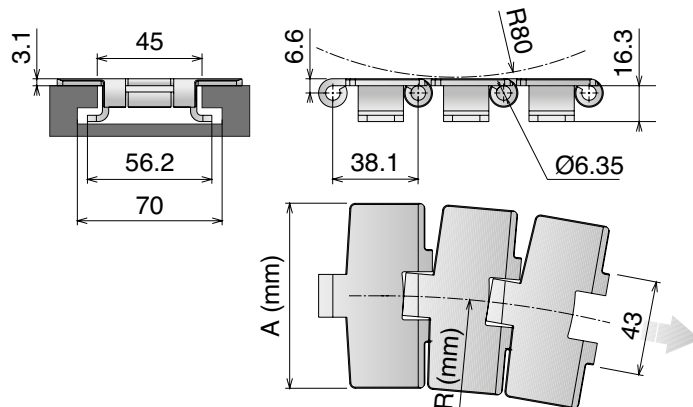
Catene in acciaio / Steel chains / Scharnierbandketten aus Edelstahl

881 TAB

Catena curvilinea
Sideflexing chain / Kurvengängige Scharnierbandkette

Delivery: **Easy** **Standard**

Pins: Martensitic 1.4057 | Backflex radius min.: 80 mm



Tab System



80 links



pg. 84-85/110



pg. 163/169



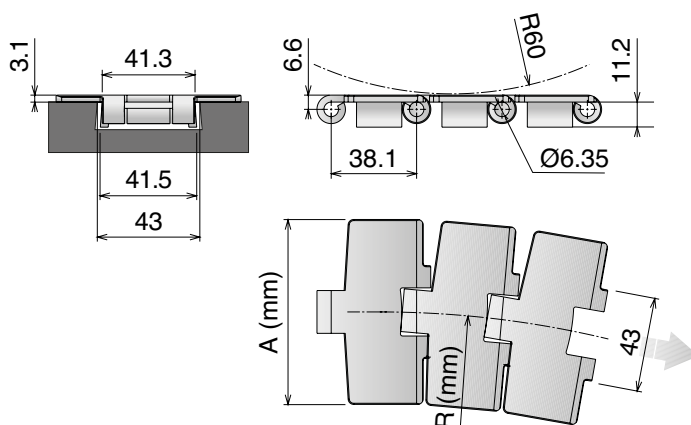
pg. 525->528

Article-Nr.	Ref.	A (Plate Width) mm	R mm	Weight kg/m	Surface finish µm	Max working load (N)	Plate Thickness mm
SS Ferritic Stainless Steel (1.4016)							
10100202	SS 881 TAB K325	82,5	457	3,00	0,3	5400	3,1
SSE Specially treated Ferritic Stainless Steel (1.4589) - Hardened pins							
10100102	SSE 881 TAB K325	82,5	457	3,00	0,3	6000	3,1
10100105	SSE 881 TAB K450	114,3	500	3,69	0,3		
10100107	SSE 881 TAB K750	190,5	500	5,50	0,3		
SSA Austenitic Stainless Steel (AISI 304) - Austenitic pin							
10100402	SSA 881 TAB K325	82,5	457	3,00	0,3	4500	3,1
10100405	SSA 881 TAB K450	114,3	500	3,69	0,3		
10100407	SSA 881 TAB K750	190,5	500	5,50	0,3		

881 B

Catena curvilinea
Sideflexing chain / Kurvengängige Scharnierbandkette

Pins: Martensitic 1.4057 | Backflex radius min.: 60 mm



Bevel System



10 feet
3.048 m



pg. 84-85/110



pg. 168



pg. 525->528

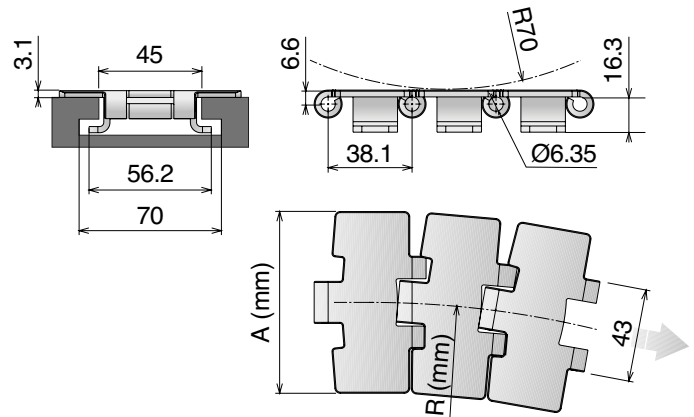
Article-Nr.	Ref.	A (Plate Width) mm	R mm	Weight kg/m	Surface finish µm	Max working load (N)	Plate Thickness mm
SSE Specially treated Ferritic Stainless Steel (1.4589) - Hardened pins							
10120102	SSE 881 K325	82,5	457	2,95	0,3	6000	3,1
10120104	SSE 881 K350	88,9	500	3,00	0,3		
10120105	SSE 881 K450	114,3	500	3,65	0,3		
10120107	SSE 881 K750	190,5	500	5,45	0,3		
SSA Austenitic Stainless Steel (AISI 304) - Austenitic pin							
10120402	SSA 881 K325	82,5	457	2,95	0,3	4500	3,1
10120405	SSA 881 K450	114,3	500	3,65	0,3		
10120407	SSA 881 K750	190,5	500	5,45	0,3		

8811 TAB

Catena curvilinea
Sideflexing chain / Kurvengängige Scharnierbandkette

Delivery: **Easy** **Standard**

Pins: Martensitic 1.4057 | Backflex radius min.: 70 mm



Tab System

10 feet 3.048 m	pg. 84-85/110	pg. 163/169	pg. 525->528
80 links			

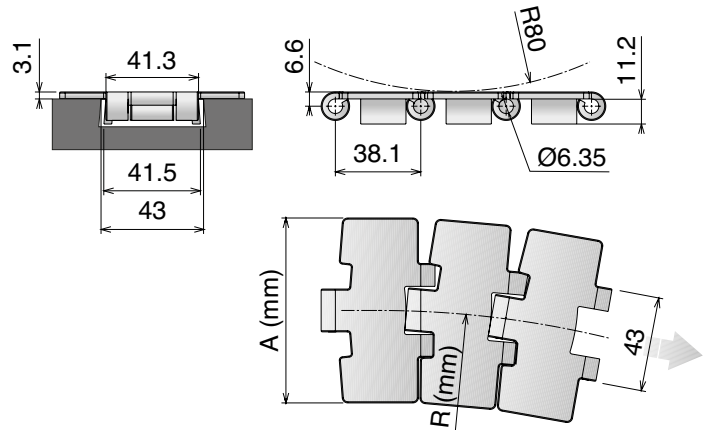
Article-Nr.	Ref.	A (Plate Width) mm	R mm	Weight kg/m	Surface finish µm	Max working load (N)	Plate Thickness mm
SS Ferritic Stainless Steel (1.4016)							
10140202	SS 8811 TAB K325	82,5	500	2,95	0,3	5400	3,1
10140203	SS 8811 TAB K330	83,8	500	3,05	0,3		
10140205	SS 8811 TAB K450	114,3	610	3,65	0,3		
10140207	SS 8811 TAB K750	190,5	610	5,45	0,3		
SSE Specially treated Ferritic Stainless Steel (1.4589) - Hardened pins							
10140102	SSE 8811 TAB K325	82,5	500	2,95	0,3	6000	3,1
10140103	SSE 8811 TAB K330	83,8	500	3,05	0,3		
10140104	SSE 8811 TAB K350	88,9	500	3,15	0,3		
10140105	SSE 8811 TAB K450	114,3	500	3,65	0,3		
10140107	SSE 8811 TAB K750	190,5	500	5,45	0,3		
SSA Austenitic Stainless Steel (AISI 304) - Austenitic pin							
10140402	SSA 8811 TAB K325	82,5	500	2,95	0,3	4500	3,1
10140403	SSA 8811 TAB K330	83,8	500	3,05	0,3		
10140405	SSA 8811 TAB K450	114,3	500	3,65	0,3		
10140407	SSA 8811 TAB K750	190,5	500	5,45	0,3		

8811 B

Catena curvilinea
Sideflexing chain / Kurvengängige Scharnierbandkette

Delivery: **Easy** Standard

Pins: Martensitic 1.4057 | Backflex radius min.: 80 mm



Bevel System

10 feet 3.048 m	pg. 84-85/110	pg. 168	pg. 525->528
80 links			

Article-Nr.	Ref.	A (Plate Width) mm	R mm	Weight kg/m	Surface finish µm	Max working load (N)	Plate Thickness mm
SSE Specially treated Ferritic Stainless Steel (1.4589) - Hardened pins							
10160102	SSE 8811 K325	82,5	500	2,90	0,3	6000	3,1
10160104	SSE 8811 K350	88,9	500	3,15	0,3		
10160105	SSE 8811 K450	114,3	500	3,60	0,3		
10160107	SSE 8811 K750	190,5	500	5,40	0,3		
SSA Austenitic Stainless Steel (AISI 304) - Austenitic pin							
10160402	SSA 8811 K325	82,5	500	2,90	0,3	4500	3,1
10160404	SSA 8811 K350	88,9	500	3,15	0,3		
10160405	SSA 8811 K450	114,3	500	3,60	0,3		
10160407	SSA 8811 K750	190,5	500	5,40	0,3		

8857 M

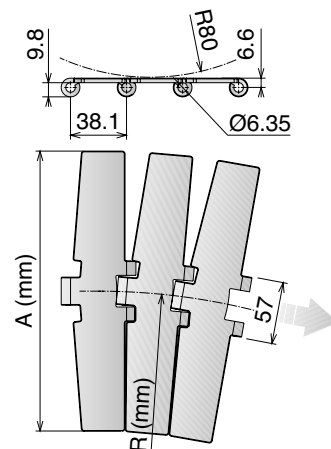
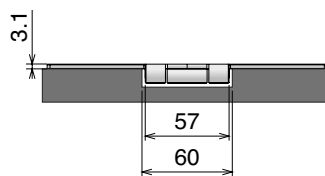
Catene in acciaio / Steel chains / Scharnierbandketten aus Edelstahl

8857 M

Catena curvilinea
Sideflexing chain / Kurvengängige Scharnierbandkette

Delivery: **Easy** **Standard**

Pins: Martensitic 1.4057 | Backflex radius min.: 80 mm



Magnetic System



80 links



pg. 87-97/110



pg. 131->136

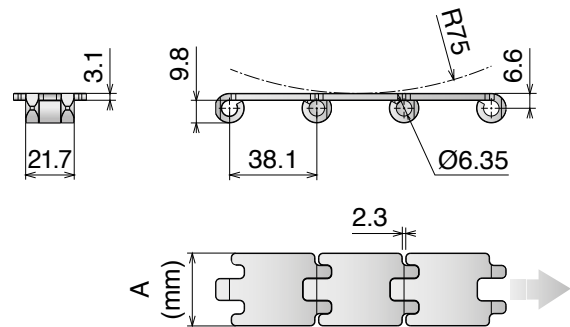


pg. 525->528

Article-Nr.	Ref.	A (Plate Width) mm	R mm	Weight kg/m	Surface finish µm	Max working load (N)	Plate Thickness mm
SSE Specially treated Ferritic Stainless Steel (1.4589) - Hardened pins							
10180107	SSE 8857 M K750	190,5	750	5,30	0,3	7000	3,1

815 MINI Catena rettilinea Straight running chain / Geradegängige Schanierbandkette

Pins: Martensitic 1.4057 | Backflex radius min.: 75 mm



10 feet 3.048 m	pg. 100	pg. 525->528
80 links		

Article-Nr.	Ref.	A (Plate Width) mm	Weight kg/m	Max working load (N)	Plate Thickness mm
SSE Specially treated Ferritic Stainless Steel (1.4589) - Hardened pins					
10210117	SSE 815 K125	31,75	1,07	3000	3,1
10210118	SSE 815 K175	44,45	1,35		

812 GT/815 GT

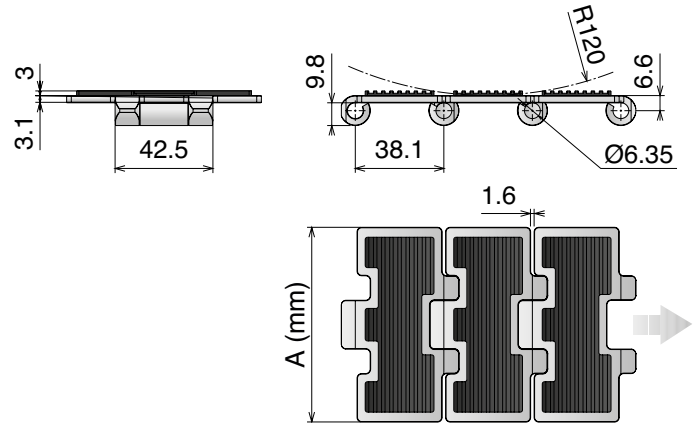
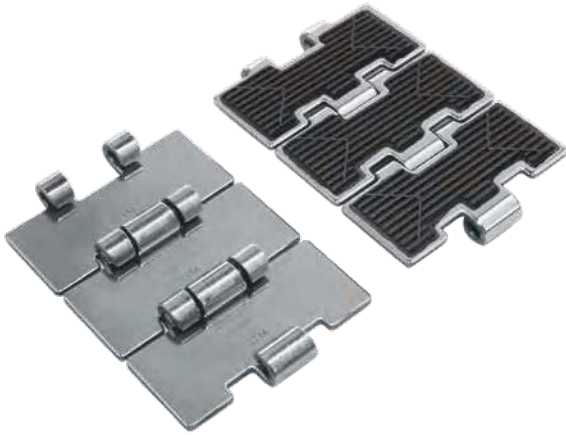
Catene in acciaio / Steel chains / Scharnierbandketten aus Edelstahl

812 GT/815 GT

Catena rettilinea
Straight running chain / Geradegängige Scharnierbandkette

Delivery: **Easy** **Standard**

Pins: Martensitic 1.4057 | Backflex radius min.: 120 mm



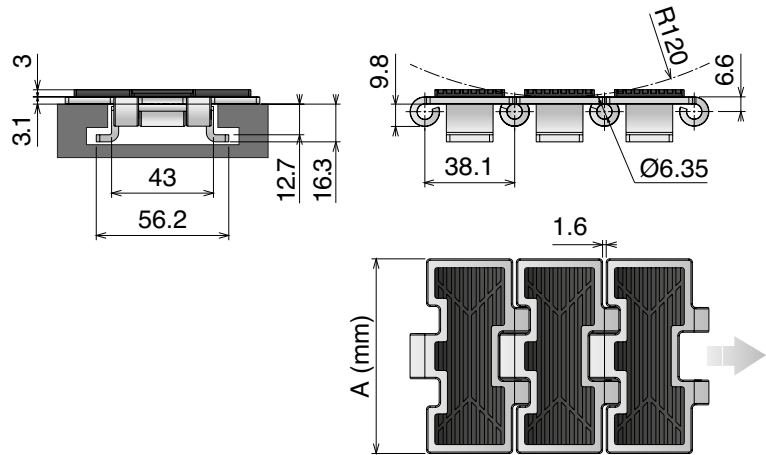
Article-Nr.	Ref.	A (Plate Width) mm	Weight kg/m	Max working load (N)	Plate/Rubber Thickness mm
SS Ferritic Stainless Steel (1.4016)					
10020202	SS 812 GT K325	82,5	2,80	5400	Plate 3,1 Rubber 3
SSE Specially treated Ferritic Stainless Steel (1.4589) - Hardened pins					
10020102	SSE 815 GT K325	82,5	2,80	6000	Plate 3,1 Rubber 3
10020105	SSE 815 GT K450	114,3	3,55		
10020107	SSE 815 GT K750	190,5	5,55		

815 TAB GT

Catena rettilinea
Straight running chain / Geradegängige Schmierbandkette

Delivery: **Easy** Standard

Pins: Martensitic 1.4057 | Backflex radius min.: 120 mm



Tab System

10 feet 3.048 m	82-83-97/108	pg. 525->528
80 links		

Article-Nr.	Ref.	A (Plate Width) mm	Weight kg/m	Max working load (N)	Plate/Rubber Thickness mm
SSE Specially treated Ferritic Stainless Steel (1.4589) - Hardened pins					
10200102	SSE 815 TAB GT K325	82,5	3,40	6000	Plate 3,1 Rubber 3

802 GT/805 GT

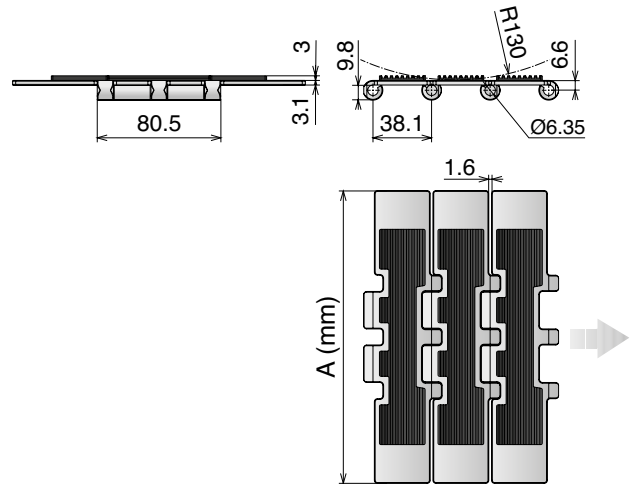
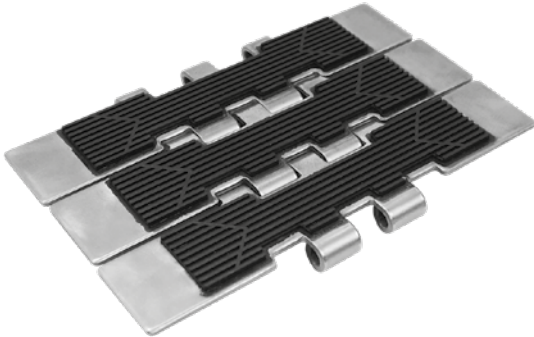
Catene in acciaio / Steel chains / Scharnierbandketten aus Edelstahl

802 GT/805 GT

Catena rettilinea
Straight running chain / Geradegängige Scharnierbandkette

Delivery: **Easy** Standard

Pins: Martensitic 1.4057 | Backflex radius min.: 130 mm



10 feet 3.048 m		
80 links	pg. 86-98/109	pg. 525->528

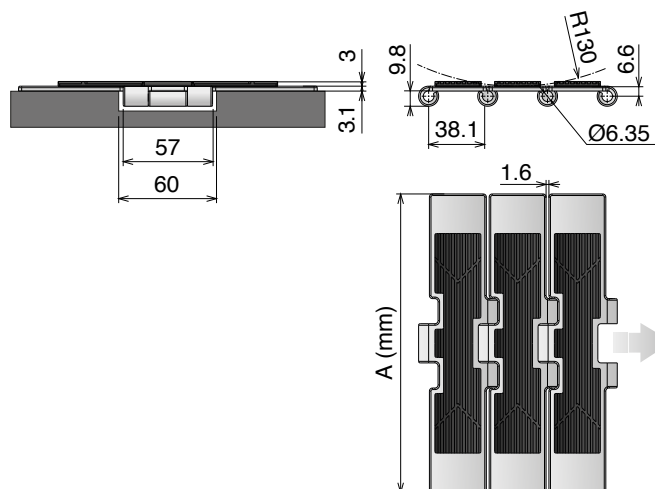
Article-Nr.	Ref.	A (Plate Width) mm	Weight kg/m	Max working load (N)	Plate/Rubber Thickness mm
SS Ferritic Stainless Steel (1.4016)					
10040207	SS 802 GT K750	190,5	6,20	7000	Plate 3,1 Rubber 3
SSE Specially treated Ferritic Stainless Steel (1.4589) - Hardened pins					
10040107	SSE 805 GT K750	190,5	6,20	9000	Plate 3,1 Rubber 3

8157 GT

Catena rettilinea
Straight running chain / Geradegängige Scharnierbandkette

Delivery: **Easy** Standard

Pins: Martensitic 1.4057 | Backflex radius min.: 130 mm



10 feet
3.048 m
80 links

pg. 87-97/110

pg. 525->528

Article-Nr.	Ref.	A (Plate Width) mm	Weight kg/m	Max working load (N)	Plate/Rubber Thickness mm
SSE Specially treated Ferritic Stainless Steel (1.4589) - Hardened pins					
10060107	SSE 8157 GT K750	190,5	6,00	10000	Plate 3,1 Rubber 3

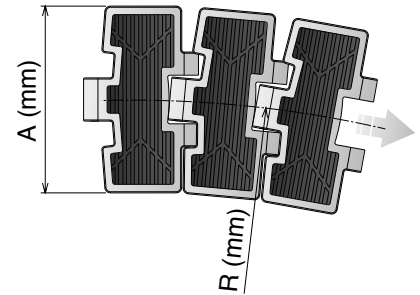
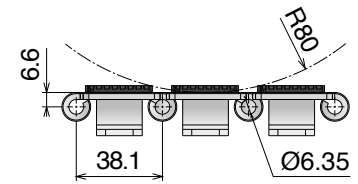
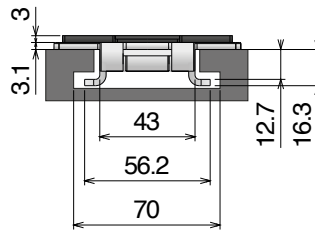
8811 TAB GT

Catene in acciaio / Steel chains / Scharnierbandketten aus Edelstahl

8811 TAB GT

Catena curvilinea
Sideflexing chain / Kurvengängige Scharnierbandkette

Pins: Martensitic 1.4057 | Backflex radius min.: 80 mm



Tab System



80 links



pg. 84-85/110



pg. 163/169



pg. 525->528

Article-Nr.	Ref.	A (Plate Width) mm	R mm	Weight kg/m	Max working load (N)	Plate/Rubber Thickness mm
-------------	------	-----------------------	---------	----------------	-------------------------	------------------------------

SSE Specially treated Ferritic Stainless Steel (1.4589) - Hardened pins

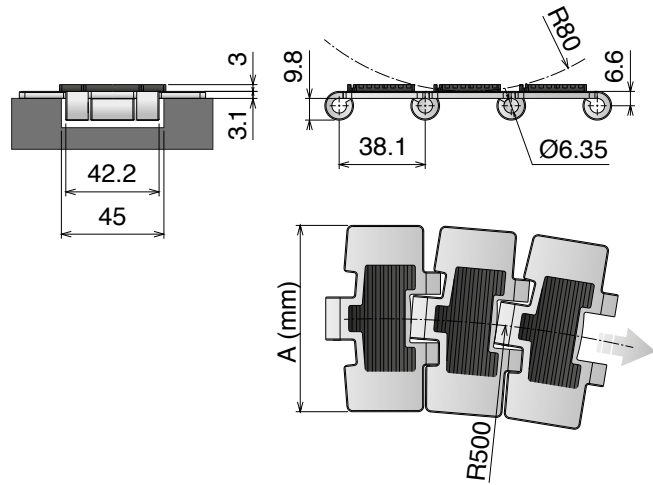
10150102	SSE 8811 TAB GT K325	82,5	500	3,20	6000	Plate 3,1 Rubber 3
10150107	SSE 8811 TAB GT K750	190,5	610	5,70		

881 M GT

Catena curvilinea
Sideflexing chain / Kurvengängige Scharnierbandkette

Delivery: **Easy** Standard

Pins: Martensitic 1.4057 | Backflex radius min.: 80 mm



Magnetic System

10 feet
3.048 m
80 links

pg. 84-85/110

pg. 115->130

pg. 525->528

Article-Nr.	Ref.	A (Plate Width) mm	Weight kg/m	Max working load (N)	Plate/Rubber Thickness mm
SSE Specially treated Ferritic Stainless Steel (1.4589) - Hardened pins					
10090102	SSE 881 M GT K325	82,5	2,80	6000	Plate 3,1 Rubber 3
10090107	SSE 881 M GT K750	190,5	5,00		

8857 M GT

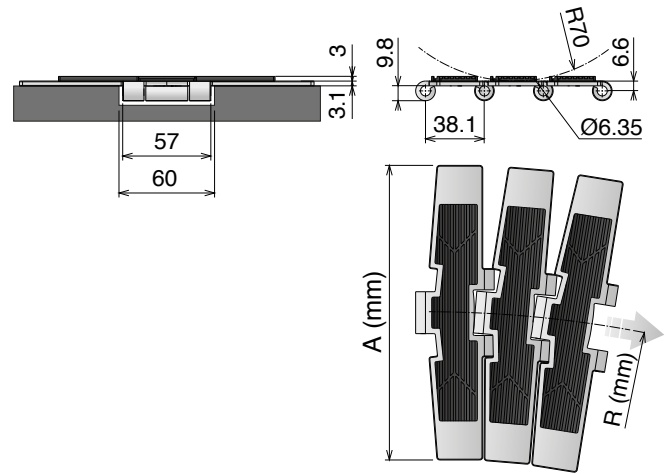
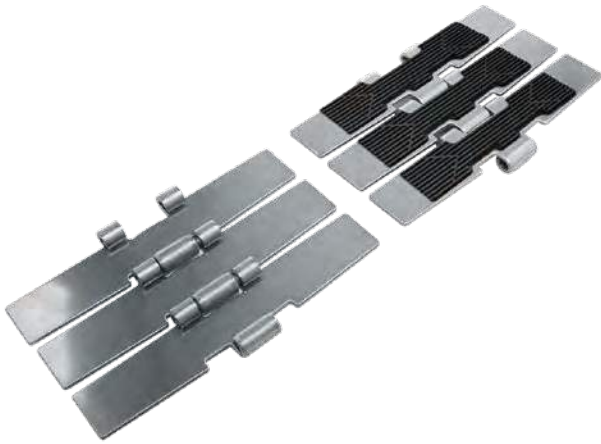
Catene in acciaio / Steel chains / Scharnierbandketten aus Edelstahl

8857 M GT

Catena curvilinea
Sideflexing chain / Kurvengängige Scharnierbandkette

Delivery: **Easy** **Standard**

Pins: Martensitic 1.4057 | Backflex radius min.: 70 mm



Magnetic System

10 feet
3.048 m
80 links

pg. 87-97/110

pg. 131->136

pg. 525->528

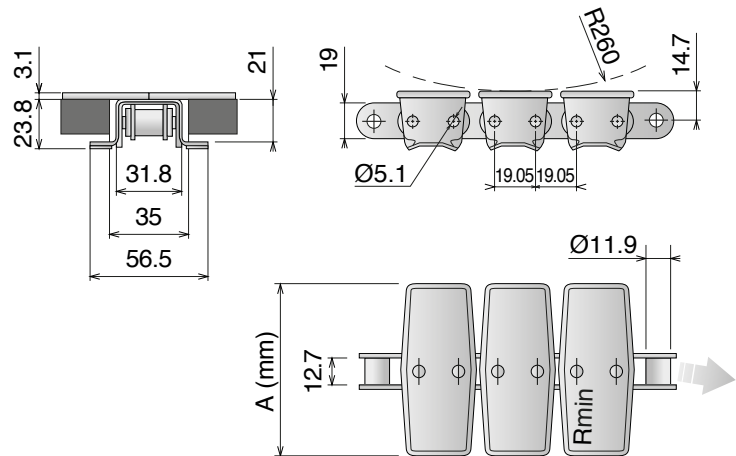
Article-Nr.	Ref.	A (Plate Width) mm	R mm	Weight kg/m	Surface finish µm	Max working load (N)	Plate/Rubber Thickness mm
SSE Specially treated Ferritic Stainless Steel (1.4589) - Hardened pins							
10190107	SSE 8857 M GT K750	190,5	750	5,70	0,3	10000	Plate 3,1 Rubber 3

1874 TAB

Catena curvilinea
Sideflexing chain / Kurvengängige Scharnierbandkette

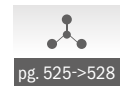
Delivery: **Easy** Standard

Backflex radius min.: 260 mm



Standard length roller chain: 160 Pitches

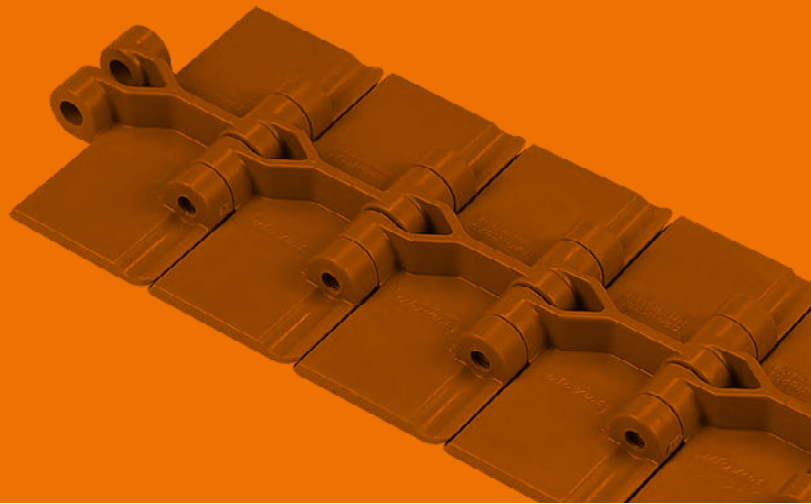
Tab System

































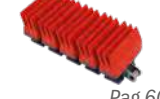
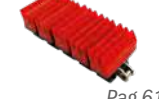











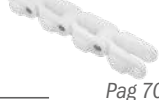
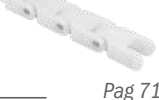



Article-Nr.	Ref.	A (Plate Width) mm	R mm	Weight kg/m	Surface finish µm	Max working load (N)	Plate Thickness mm
<i>Austenitic Stainless Steel</i>							
10220202	SS 1874 TAB K325	82,5	381	4,20	0,5	4500	3,1
10220205	SS 1874 TAB K450	114,3	381	4,80	0,5		
10220206	SS 1874 TAB K600	152,4	457	5,70	0,5		
10220207	SS 1874 TAB K750	190,5	610	6,40	0,5		

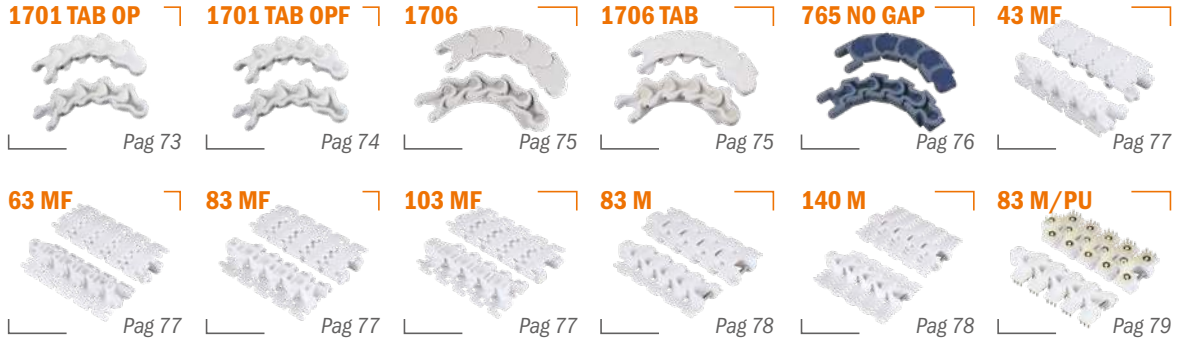


62



Plastic chains

820  Pag 31/32	820 V  Pag 33	820 Plastic pin  Pag 33	828  Pag 34	831  Pag 35	821  Pag 36
821 GT  Pag 37	821 LBP  Pag 38	8257  Pag 39	8257 GT  Pag 40	8257 LBP  Pag 41	878 TAB  Pag 42
879 M  Pag 43	879 TAB  Pag 44	888  Pag 45	888 GT  Pag 46	880 M  Pag 47	880 TAB  Pag 48
880 V TAB  Pag 49	880 TAB Plastic pin  Pag 49	880 B  Pag 50	880 TAB B0  Pag 51	882 M  Pag 52	882 M GT  Pag 53
882 M LBP  Pag 54	882 TAB  Pag 55	882 TAB GT  Pag 56	882 TAB LBP  Pag 57	1873  Pag 58	1873 GT  Pag 59
1873 GRIPPER GS1  Pag 60	1873 GRIPPER GS2  Pag 61	1873 GRIPPER GS4  Pag 62	1873 D-SHAPE  Pag 63	1873 MX1  Pag 64	1873 MX2  Pag 65
878 GRIPPER GS1  Pag 66	878 GRIPPER GS2  Pag 66	878 GRIPPER GS4  Pag 66	1843  Pag 67	SP 1883  Pag 68	SP 1883 GT  Pag 69
CC 600  Pag 70	CC 600 TAB  Pag 70	CC 600 D  Pag 71	CC 600 D TAB  Pag 71	CC 1400  Pag 72	CC 1400 TAB  Pag 72



PFX

The best choice for dry running applications.

PFX is a plastic compound developed specific for chain and belts in order to run with limited lubrication or in dry applications where the demands are extreme concerning speed, performance & efficiency.

PFX material is developed to reduce the friction between chain and product as well as chain and wearstrips even if no lubrication is used.

Plastic chains available:

820 FT



828 FT



880 M



880 TAB



Low friction

Developed to reduce friction between chain product and wearstrip.



Minimal dusting

Developed to avoid dusting under extreme circumstances.



Food contact Certified

PFX material is suitable in food application.



High performance

Longer wear life leads to excellent and long enduring product handling features.



Control of cost

Better control of total cost and sustainable conveyor technology.



Patented material

PFX is an exclusive product of Movex.

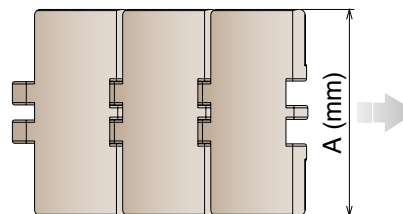
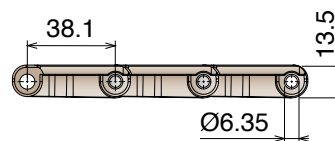
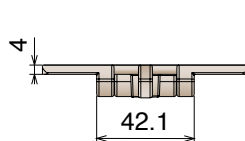
Other different types of product in PFX are on request.

820

Catena rettilinea
Straight running chain / Geradegängige Scharnierbandkette

Delivery: **Easy** **Standard**

Pins: Stainless Steel | Backflex radius min.: 50 mm



80 links



88-89-98/108



pg. 516->524

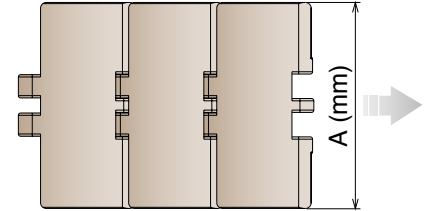
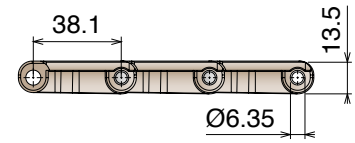
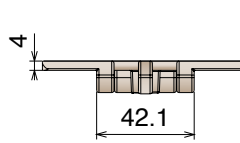
Article-Nr.	Ref.	A (Plate Width) mm	Weight kg/m	Max working load N	Material
11010102	LF 820 K325	82,5	0,89	1625	LF
11010103	LF 820 K330	83,8	0,90		
11010104	LF 820 K350	88,9	0,91		
11010114	LF 820 K400	101,6	0,95		
11010105	LF 820 K450	114,3	1,00		
11010106	LF 820 K600	152,4	1,22		
11010107	LF 820 K750	190,5	1,43		
11010302	MX 820 K325	82,5	0,89	1260	MX
11010303	MX 820 K330	83,8	0,90		
11010304	MX 820 K350	88,9	0,91		
11010314	MX 820 K400	101,6	0,95		
11010305	MX 820 K450	114,3	1,00		
11010306	MX 820 K600	152,4	1,22		
11010307	MX 820 K750	190,5	1,43		
11013002	PFX 820 K325	82,5	0,89	1260	PFX
11013003	PFX 820 K330	83,8	0,90		
11013004	PFX 820 K350	88,9	0,91		
11013014	PFX 820 K400	101,6	0,95		
11013005	PFX 820 K450	114,3	1,00		
11013006	PFX 820 K600	152,4	1,22		
11013007	PFX 820 K750	190,5	1,43		

820

Catena rettilinea
Straight running chain / Geradegängige Scharnierbandkette

Delivery: **Easy** **Standard**

Pins: Stainless Steel | Backflex radius min.: 50 mm



80 links



88-89-98/108



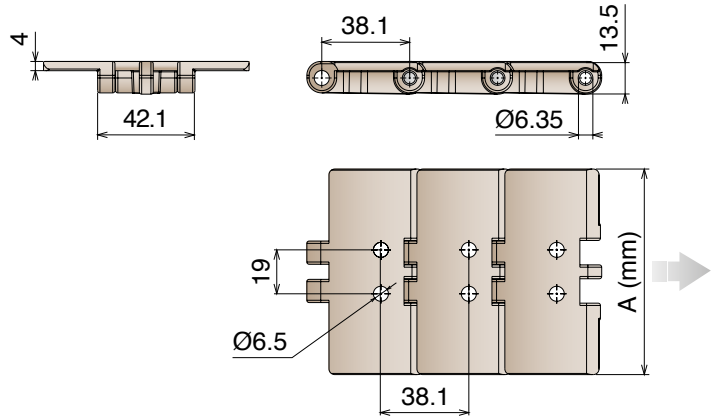
pg. 516->524

Article-Nr.	Ref.	A (Plate Width) mm	Weight kg/m	Max working load N	Material
11012502	MPX 820 K325	82,5	0,89	1625	MPX
11012503	MPX 820 K330	83,8	0,90		
11012504	MPX 820 K350	88,9	0,91		
11012514	MPX 820 K400	101,6	0,95		
11012505	MPX 820 K450	114,3	1,00		
11012506	MPX 820 K600	152,4	1,22		
11012507	MPX 820 K750	190,5	1,43		
11011602	DKM 820 K325	82,5	0,89	1625	DKM
11011603	DKM 820 K330	83,8	0,90		
11011604	DKM 820 K350	88,9	0,91		
11011614	DKM 820 K400	101,6	0,95		
11011605	DKM 820 K450	114,3	1,00		
11011606	DKM 820 K600	152,4	1,22		
11011607	DKM 820 K750	190,5	1,43		
11011702	MWX 820 K325	82,5	0,89	1625	MWX
11011703	MWX 820 K330	83,8	0,90		
11011704	MWX 820 K350	88,9	0,91		
11011714	MWX 820 K400	101,6	0,95		
11011705	MWX 820 K450	114,3	1,00		
11011706	MWX 820 K600	152,4	1,22		
11011707	MWX 820 K750	190,5	1,43		

820 V

Catena rettilinea
Straight running chain / Geradegängige Scharnierbandkette

Pins: Stainless Steel | Backflex radius min.: 50 mm

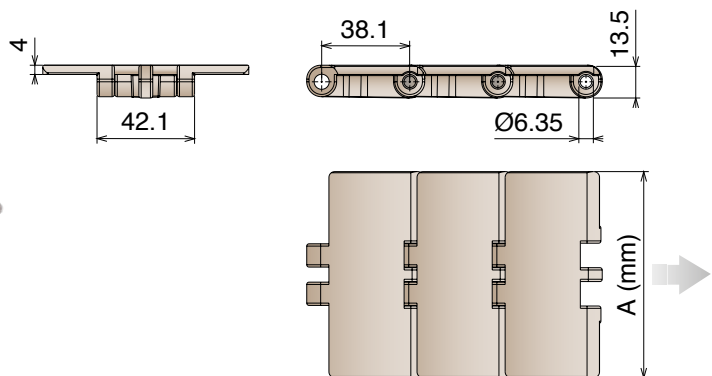


Article-Nr.	Ref.	A (Plate Width) mm	Weight kg/m	Max working load N	Material
11550102	LF 820 V2 K325	82,5	0,89	1625	LF
11550105	LF 820 V2 K450	114,3	1,00		

820 Plastic pin

Catena rettilinea con perno in plastica
Straight running chain with plastic pin / Geradegängige Scharnierbandkette mit plastic bolzen

Pins: Reinforced acetal resin | Backflex radius min.: 50 mm

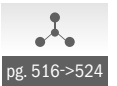
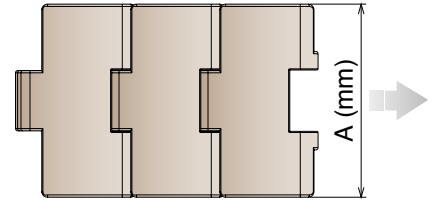
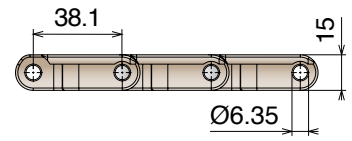
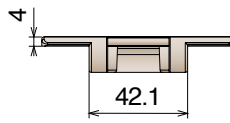
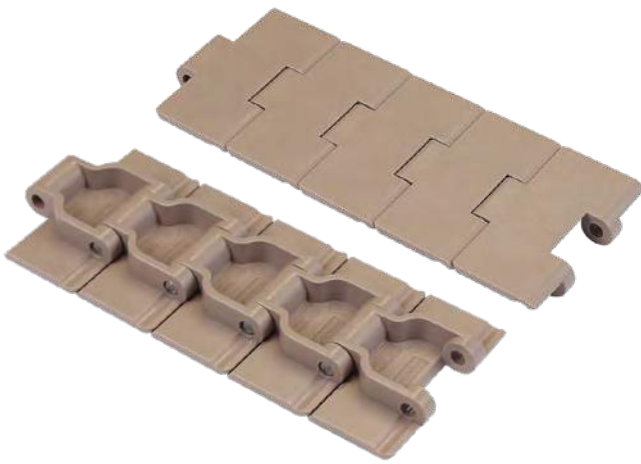


Article-Nr.	Ref.	A (Plate Width) mm	Weight kg/m	Max working load N	Material
11630102	LF 820 K325	82,5	0,69	650	LF
11630105	LF 820 K450	114,3	0,80		

828 Catena rettilinea Straight running chain / Geradegängige Scharnierbandkette

Delivery: **Easy** **Standard**

Pins: Stainless Steel | Backflex radius min.: 50 mm



80 links

pg. 92-93/108

pg. 516->524

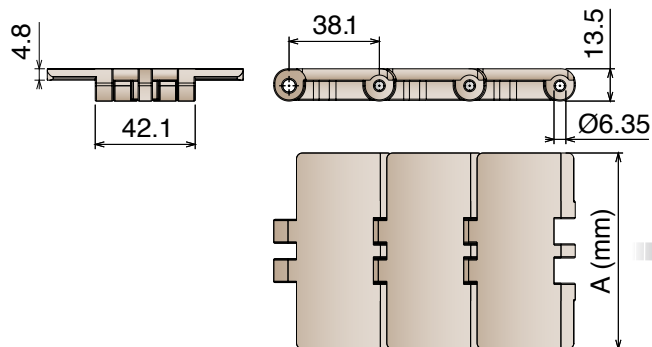
Article-Nr.	Ref.	A (Plate Width) mm	Weight kg/m	Max working load N	Material
11020102	LF 828 K325	82,5	1,07	2320	LF
11020103	LF 828 K330	83,8	1,13		
11020302	MX 828 K325	82,5	1,07	1860	MX
11020303	MX 828 K330	83,8	1,13		
11023002	PFX 828 K325	82,5	1,07	1860	PFX
11023003	PFX 828 K330	83,8	1,13		
11022502	MPX 828 K325	82,5	1,07	2320	MPX
11022503	MPX 828 K330	83,8	1,13		

831

Catena rettilinea
Straight running chain / Geradegängige Scharnierbandkette

Delivery: **Easy** **Standard**

Pins: Stainless Steel | Backflex radius min.: 50 mm



80 links



pg. 90-91/108



pg. 516->524

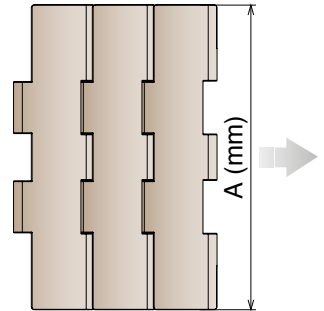
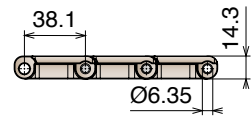
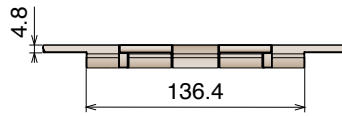
Article-Nr.	Ref.	A (Plate Width) mm	Weight kg/m	Max working load N	Material
11030102	LF 831 K325	82,5	1,00	1625	LF
11030105	LF 831 K450	114,3	1,28		
11030107	LF 831 K750	190,5	1,80		
11030302	MX 831 K325	82,5	1,00	1260	MX
11030305	MX 831 K450	114,3	1,28		
11030307	MX 831 K750	190,5	1,80		

821

Catena rettilinea
Straight running chain / Geradegängige Scharnierbandkette

Delivery: **Easy** **Standard**

Pins: Stainless Steel | Backflex radius min.: 50 mm



80 links



pg. 86/109



pg. 516->524

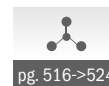
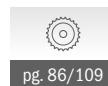
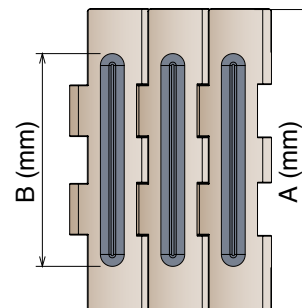
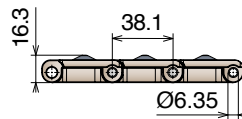
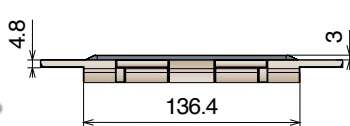
Article-Nr.	Ref.	A (Plate Width) mm	Weight kg/m	Max working load N	Material
11040107	LF 821 K750	190,5	2,55	2770	LF
11040108	LF 821 K1000	254,0	3,05		
11040109	LF 821 K1200	304,8	3,35		
11040307	MX 821 K750	190,5	2,55	2200	MX
11040308	MX 821 K1000	254,0	3,05		
11040309	MX 821 K1200	304,8	3,35		
11042507	MPX 821 K750	190,5	2,55	2770	MPX
11042508	MPX 821 K1000	254,0	3,05		
11042509	MPX 821 K1200	304,8	3,35		

821 GT

Catena rettilinea
Straight running chain / Geradegängige Scharnierbandkette

Delivery: **Easy** **Standard**

Pins: Stainless Steel | Backflex radius min.: 50 mm | TPE Rubber: 75 ShA



Article-Nr.	Ref.	A (Plate Width) mm	B (Rubber Width) mm	Weight kg/m	Max working load N	Material
11050107	LF 821 GT K750	190,5	134,0	2,55	2770	LF
11050108	LF 821 GT K1000	254,0	192,0	3,05		
11050109	LF 821 GT K1200	304,8	252,0	3,35		
11050307	MX 821 GT K750	190,5	134,0	2,55	2200	MX
11050308	MX 821 GT K1000	254,0	192,0	3,05		
11050309	MX 821 GT K1200	304,8	252,0	3,35		

821 LBP

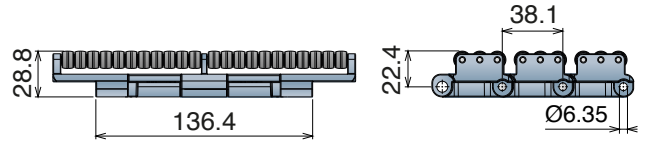
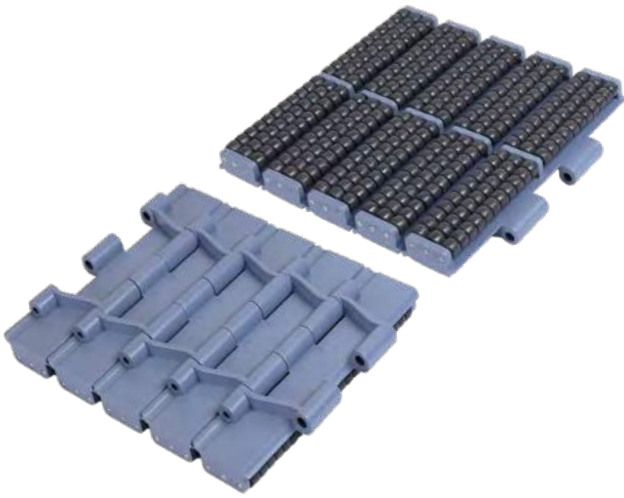
Catene in plastica / Plastic chains / Scharnierbandketten aus Kunststoff

821 LBP

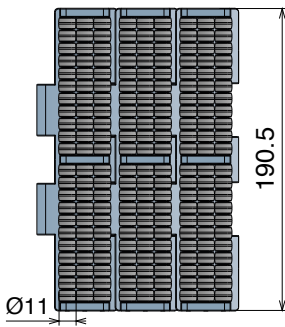
Catena rettilinea
Straight running chain / Geradegängige Scharnierbandkette

Delivery: **Easy** **Standard**

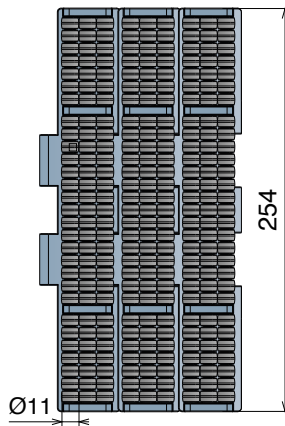
Pins: Stainless Steel | Backflex radius min.: 150 mm



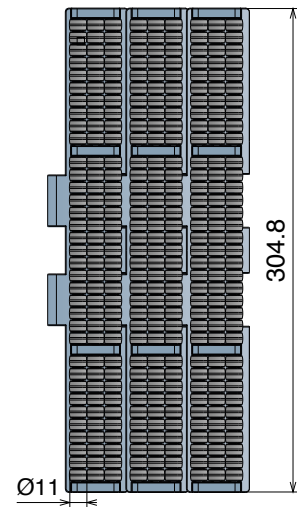
K750



K1000



K1200



5 feet
1.524 m
40 links

pg. 86/109

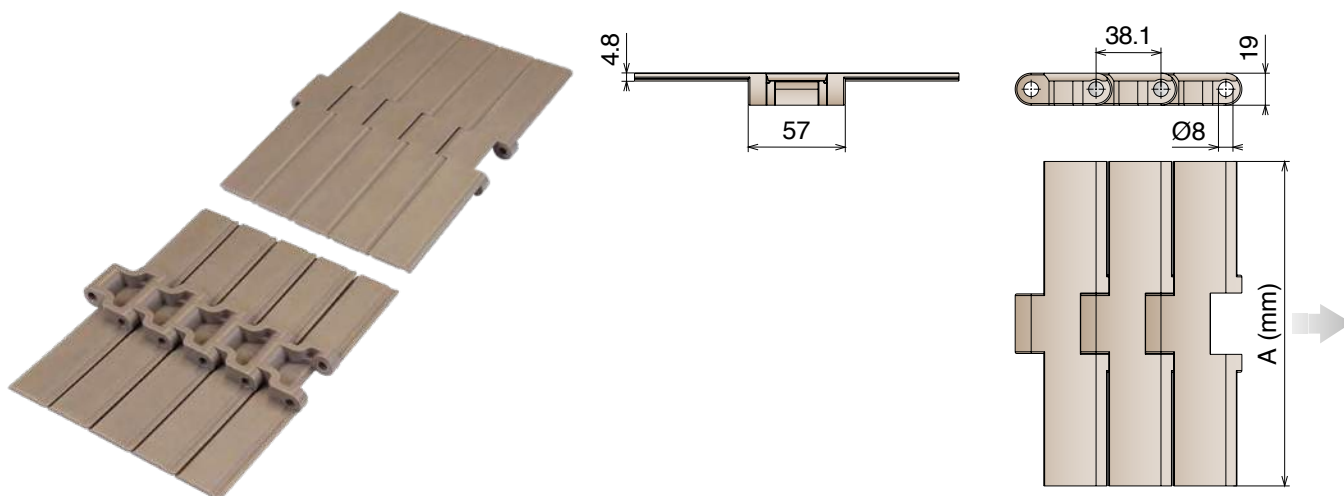
pg. 516->524

Article-Nr.	Ref.	Plate Width mm	Weight kg/m	Max working load N	Material
11060107	LFA 821 LBP K750	190,5	5,70	2770	LFA
11060108	LFA 821 LBP K1000	254,0	7,05		
11060109	LFA 821 LBP K1200	304,8	8,21		

8257 Catena rettilinea Straight running chain / Geradegängige Scharnierbandkette

Delivery: **Easy** **Standard**

Pins: Stainless Steel | Backflex radius min.: 50 mm



Article-Nr.	Ref.	A (Plate Width) mm	Weight kg/m	Max working load N	Material
11070107	LF 8257 K750	190,5	2,55	3830	LF
11070108	LF 8257 K1000	254,0	3,05		
11070109	LF 8257 K1200	304,8	3,35		
11070307	MX 8257 K750	190,5	2,55	3050	MX
11070308	MX 8257 K1000	254,0	3,05		
11070309	MX 8257 K1200	304,8	3,35		

8257 GT

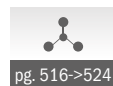
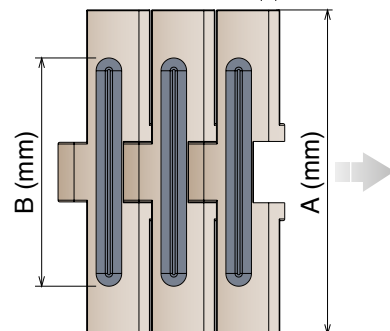
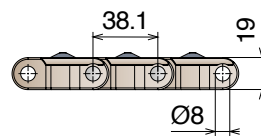
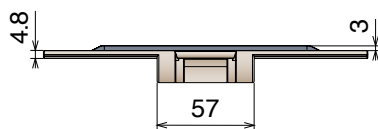
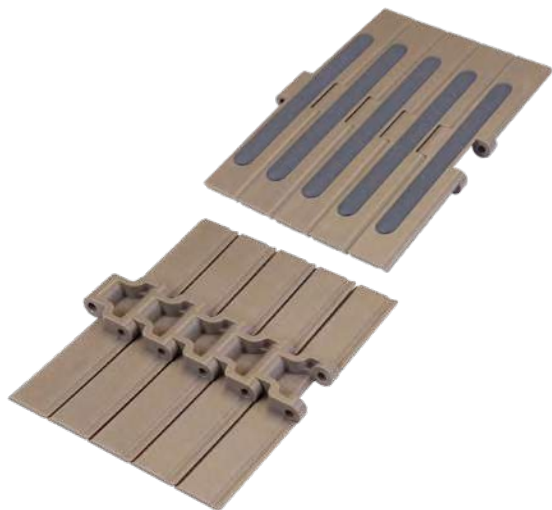
Catene in plastica / Plastic chains / Scharnierbandketten aus Kunststoff

8257 GT

Catena rettilinea
Straight running chain / Geradegängige Scharnierbandkette

Delivery: **Easy** **Standard**

Pins: Stainless Steel | Backflex radius min.: 50 mm | TPE Rubber: 75 ShA



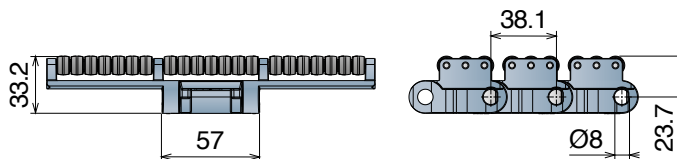
Article-Nr.	Ref.	A (Plate Width) mm	B (Rubber Width) mm	Weight kg/m	Max working load N	Material
11080107	LF 8257 GT K750	190,5	134,0	2,55	3830	LF
11080108	LF 8257 GT K1000	254,0	192,0	2,60		
11080109	LF 8257 GT K1200	304,8	252,0	2,95		

8257 LBP

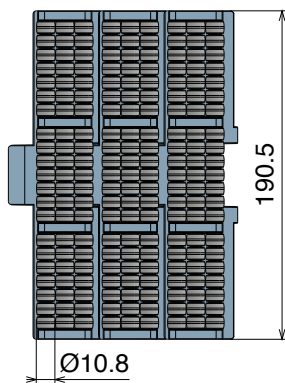
Catena rettilinea
Straight running chain / Geradegängige Scharnierbandkette

Delivery: **Easy** **Standard**

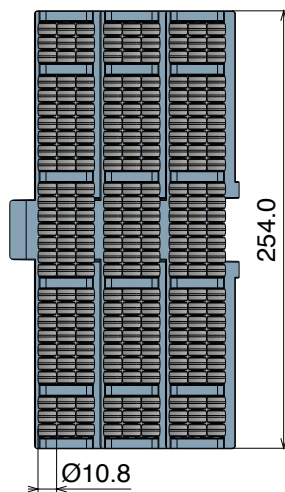
Pins: Stainless Steel | Backflex radius min.: 200 mm



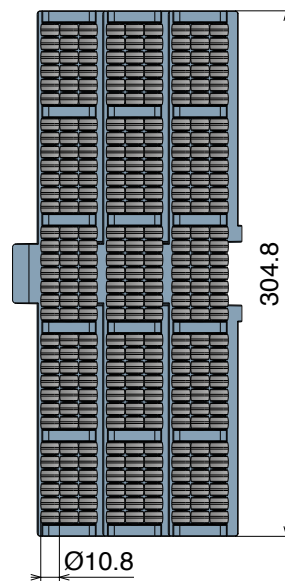
K750



K1000



K1200



5 feet 1.524 m	pg. 94-95/110	pg. 516->524
40 links		

Article-Nr.	Ref.	A (Plate Width) mm	Weight kg/m	Max working load N	Material
11090107	LFA 8257 LBP K750	190,5	5,65	3830	LFA
11090108	LFA 8257 LBP K1000	254,0	7,16		
11090109	LFA 8257 LBP K1200	304,8	8,05		

878 TAB

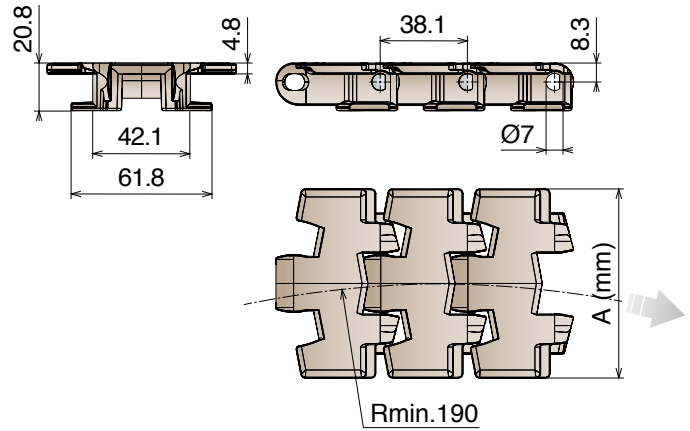
Catene in plastica / Plastic chains / Scharnierbandketten aus Kunststoff

878 TAB

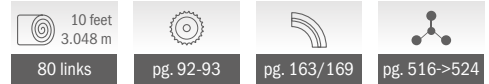
Catena curvilinea
Sideflexing chain / Kurvengängige Scharnierbandkette

Delivery: **Easy** Standard

Pins: Stainless Steel | Backflex radius min.: 40 mm



Tab System

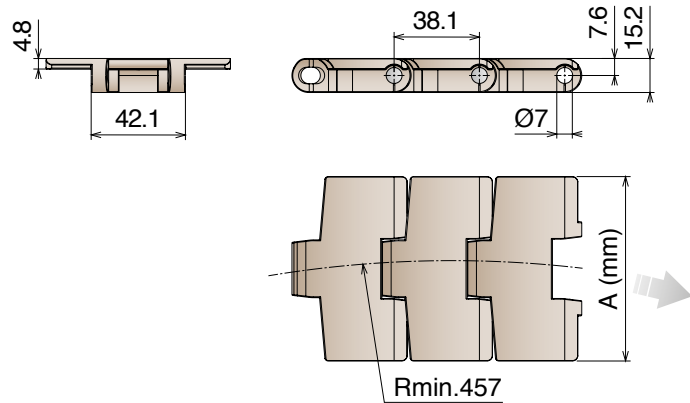


Article-Nr.	Ref.	A (Plate Width) mm	Weight kg/m	Max working load N	Material
11190102	LF 878 TAB K325	82,5	1,06	2200	LF
11190105	LF 878 TAB K450	114,3	1,18		
11190302	MX 878 TAB K325	82,5	1,06	1750	MX
11190305	MX 878 TAB K450	114,3	1,18		
11191602	DKM 878 TAB K325	82,5	1,06	2200	DKM
11191605	DKM 878 TAB K450	114,3	1,18		

879 M Catena curvilinea Sideflexing chain / Kurvengängige Scharnierbandkette

Delivery: **Easy** **Standard**

Pins: Ferritic Stainless Steel | Backflex radius min.: 50 mm



Magnetic System

10 feet
3.048 m
80 links

pg. 92-93/108

pg. 115->128

pg. 516->524

Article-Nr.	Ref.	A (Plate Width) mm	R mm	Weight kg/m	Max working load N	Material
11240102	LF 879 M K325	82,5	457	1,05	2200	LF
11240105	LF 879 M K450	114,3	457	1,15		
11240302	MX 879 M K325	82,5	457	1,05	1750	MX
11240305	MX 879 M K450	114,3	457	1,15		

879 TAB

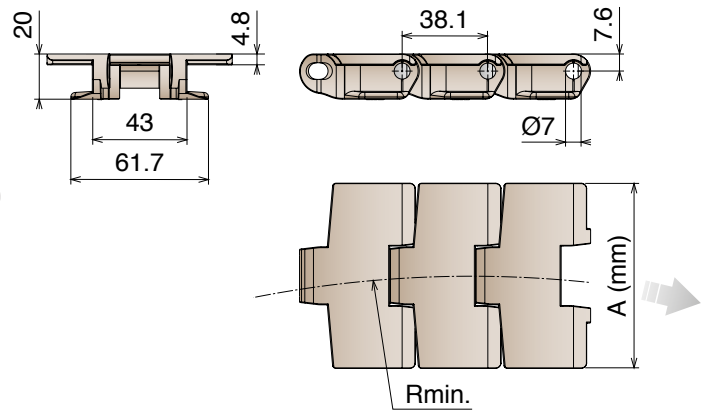
Catene in plastica / Plastic chains / Scharnierbandketten aus Kunststoff

879 TAB

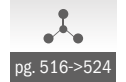
Catena curvilinea
Sideflexing chain / Kurvengängige Scharnierbandkette

Delivery: **Easy** Standard

Pins: Stainless Steel | Backflex radius min.: 50 mm



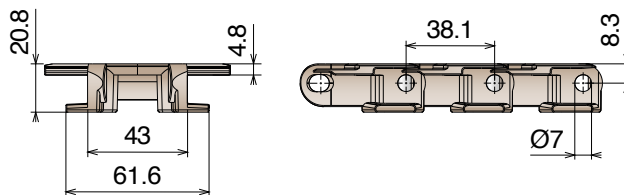
Tab System



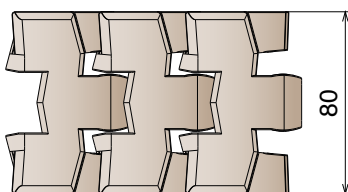
Article-Nr.	Ref.	A (Plate Width) mm	R mm	Weight kg/m	Max working load N	Material
11250102	LF 879 TAB K325	82,5	457	1,01	2200	LF
11250105	LF 879 TAB K450	114,3	610	1,13		
11250302	MX 879 TAB K325	82,5	457	1,01	1750	MX
11250305	MX 879 TAB K450	114,3	610	1,13		
11252502	MPX 879 TAB K325	82,5	457	1,01	2200	MPX
11252505	MPX 879 TAB K450	114,3	610	1,13		
11251702	MWX 879 TAB K325	82,5	457	1,01	2200	MWX
11251705	MWX 879 TAB K450	114,3	610	1,13		

888 Catena curvilinea
Sideflexing chain / Kurvengängige Scharnierbandkette

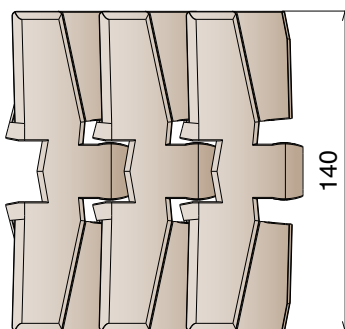
Pins: Stainless Steel | Backflex radius min.: 40 mm



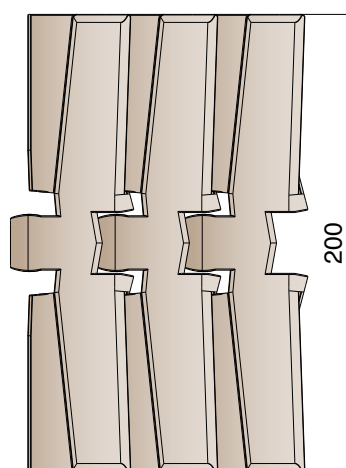
W80



W140



W200



Tab System

10 feet / 3.048 m | 80 links | pg. 92-93 | pg. 163/169 | pg. 516->524

Article-Nr.	Ref.	Plate Width mm	R mm	Weight kg/m	Max working load N	Material
11700119	LF 888 W80	80,0	200	1,05	2200	LF
11700120	LF 888 W140	140,0	500	1,32		
11700121	LF 888 W200	200,0	500	1,62		

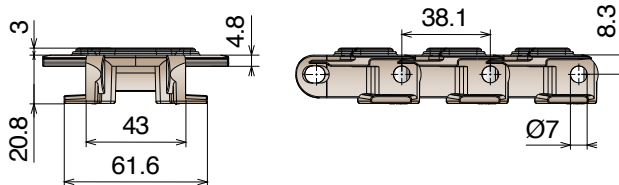
888 GT

Catene in plastica / Plastic chains / Scharnierbandketten aus Kunststoff

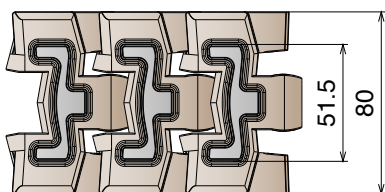
888 GT

Catena curvilinea
Sideflexing chain / Kurvengängige Scharnierbandkette

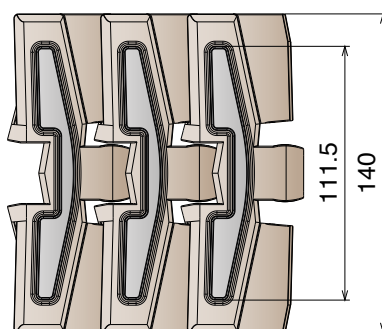
Pins: Stainless Steel | Backflex radius min.: 40 mm | TPE Rubber: 75 ShA



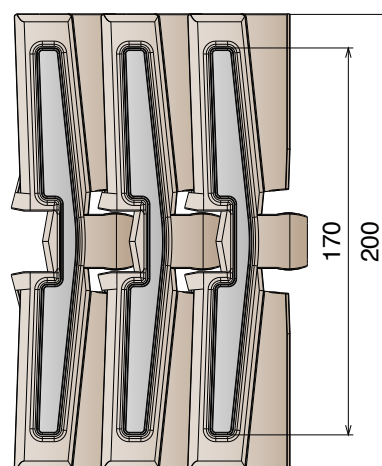
W80



W140



W200



Tab System

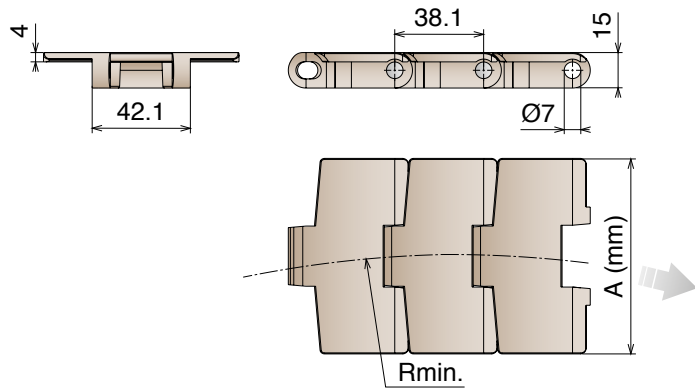
10 feet 3,048 m			
80 links	pg. 92-93	pg. 163/169	pg. 516->524

Article-Nr.	Ref.	Plate Width mm	R mm	Weight kg/m	Max working load N	Material
11710119	LF 888 GT W80	80,0	200	1,15	2200	LF
11710120	LF 888 GT W140	140,0	500	1,43		
11710121	LF 888 GT W200	200,0	500	1,75		

880 M Catena curvilinea Sideflexing chain / Kurvengängige Scharnierbandkette

Delivery: **Easy** **Standard**

Pins: Ferritic Stainless Steel | Backflex radius min.: 50 mm



Magnetic System

10 feet
3.048 m
80 links

pg. 92-93/108

pg. 115>130

pg. 516->524

Article-Nr.	Ref.	A (Plate Width) mm	R mm	Weight kg/m	Max working load N	Material
11100102	LF 880 M K325	82,5	457	1,05	2200	LF
11100103	LF 880 M K330	83,8	457	1,09		
11100105	LF 880 M K450	114,3	457	1,15		
11100302	MX 880 M K325	82,5	457	1,05	1750	MX
11100303	MX 880 M K330	83,8	457	1,09		
11100305	MX 880 M K450	114,3	457	1,15		
11103002	PFX 880 M K325	82,5	457	1,05	1750	PFX
11103003	PFX 880 M K330	83,8	457	1,09		
11103005	PFX 880 M K450	114,3	457	1,15		
11102502	MPX 880 M K325	82,5	457	1,05	2200	MPX
11102503	MPX 880 M K330	83,8	457	1,09		
11102505	MPX 880 M K450	114,3	457	1,15		
11101702	MWX 880 M K325	82,5	457	1,05	2200	MWX
11101703	MWX 880 M K330	83,8	457	1,09		
11101705	MWX 880 M K450	114,3	457	1,15		

880 TAB

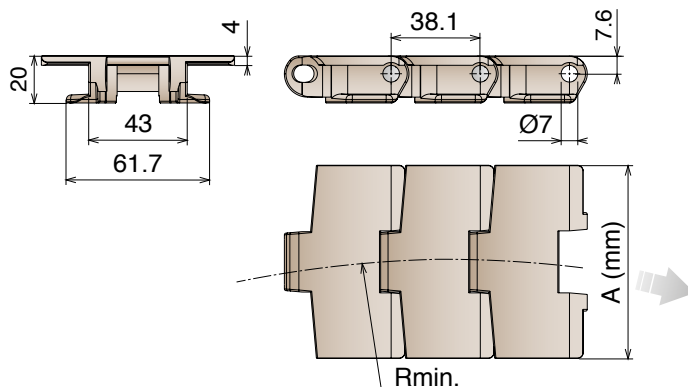
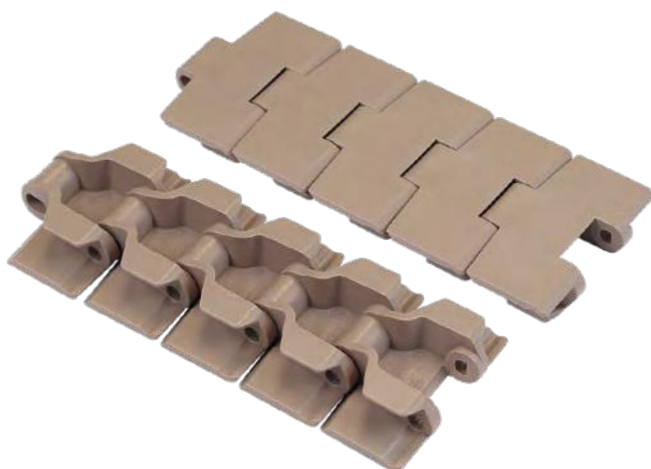
Catene in plastica / Plastic chains / Scharnierbandketten aus Kunststoff

880 TAB

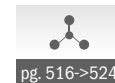
Catena curvilinea
Sideflexing chain / Kurvengängige Scharnierbandkette

Delivery: **Easy** Standard

Pins: Stainless Steel | Backflex radius min.: 40 mm



Tab System



Article-Nr.	Ref.	A (Plate Width) mm	R mm	Weight kg/m	Max working load N	Material
11110102	LF 880 TAB K325	82,5	457	1,015	2200	LF
11110103	LF 880 TAB K330	83,8	457	1,018		
11110105	LF 880 TAB K450	114,3	457	1,09		
11110302	MX 880 TAB K325	82,5	457	1,015	1750	MX
11110303	MX 880 TAB K330	83,8	457	1,018		
11110305	MX 880 TAB K450	114,3	457	1,09		
11113002	PFX 880 TAB K325	82,5	457	1,015	1750	PFX
11113003	PFX 880 TAB K330	83,8	457	1,018		
11113005	PFX 880 TAB K450	114,3	457	1,09		
11112502	MPX 880 TAB K325	82,5	457	1,015	2200	MPX
11112503	MPX 880 TAB K330	83,8	457	1,018		
11112505	MPX 880 TAB K450	114,3	457	1,09		
11111602	DKM 880 TAB K325	82,5	457	1,015	2200	DKM
11111603	DKM 880 TAB K330	83,8	457	1,018		
11111605	DKM 880 TAB K450	114,3	457	1,09		
11111702	MWX 880 TAB K325	82,5	457	1,015	2200	MWX
11111703	MWX 880 TAB K330	83,8	457	1,018		
11111705	MWX 880 TAB K450	114,3	457	1,09		

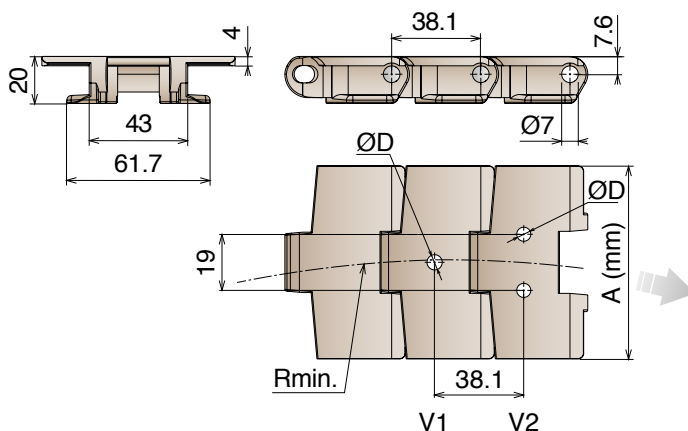
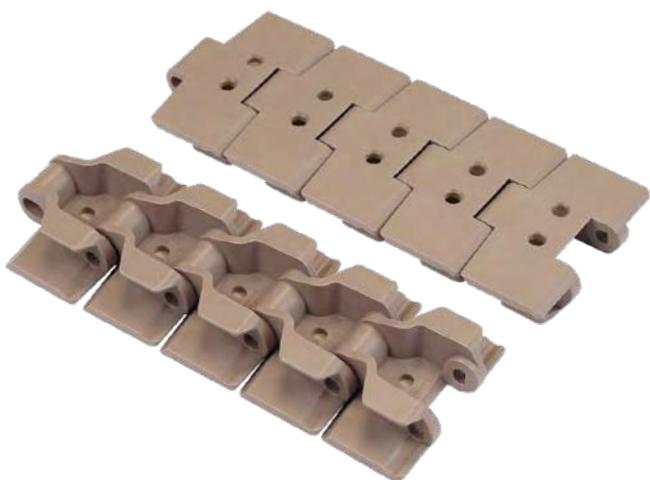
880 V TAB-880 TAB Plastic pin

Catene in plastica / Plastic chains / Scharnierbandketten aus Kunststoff

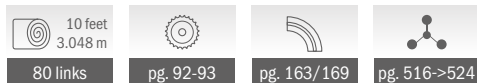
880 V TAB

Catena curvilinea
Sideflexing chain / Kurvengängige Scharnierbandkette

Pins: Stainless Steel | Backflex radius min.: 40 mm



Tab System

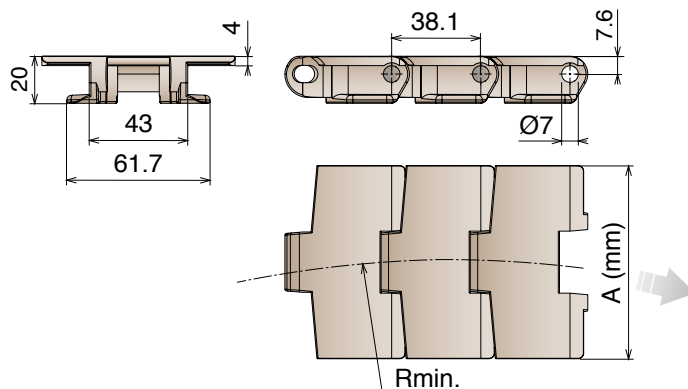
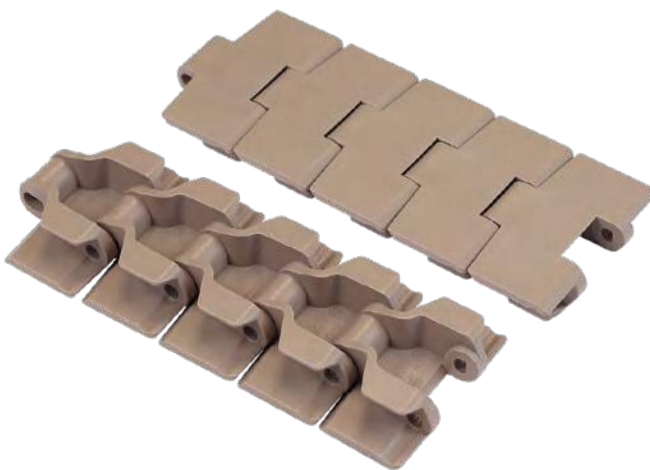


Article-Nr.	Ref.	A (Plate Width) mm	R mm	Weight kg/m	D mm	Max working load N	Material
11560102	LF 880 V1 K325	82,5	457	1,015		2200	LF
11570102	LF 880 V2 K325	82,5	457	1,015	6,5		
11570105	LF 880 V2 K450	114,3	457	1,09			

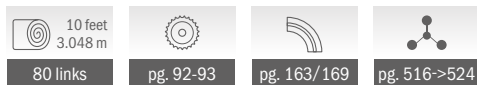
880 TAB Plastic pin

Catena curvilinea con perno in plastica
Sideflexing chain with plastic pin / Kurvengängige Scharnierbandkette mit plastic bolzen

Pins: Reinforced acetal resin | Backflex radius min.: 40 mm



Tab System



Article-Nr.	Ref.	A (Plate Width) mm	R mm	Weight kg/m	Max working load N	Material
11660102	LF 880 TAB K325	82,5	457	0,815	550	LF
11660105	LF 880 TAB K450	114,3	457	0,89		

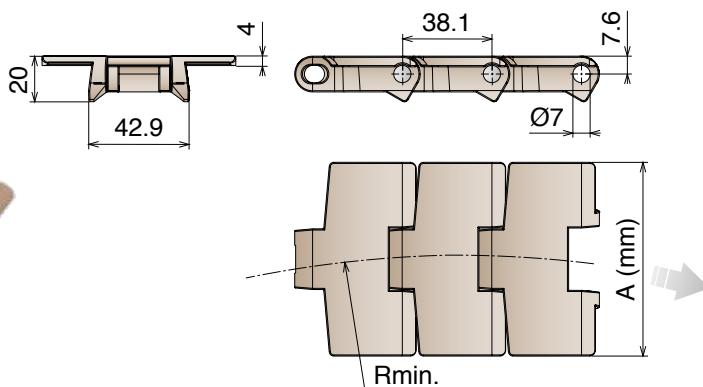
880 B

Catene in plastica / Plastic chains / Scharnierbandketten aus Kunststoff

880 B Catena curvilinea Sideflexing chain / Kurvengängige Scharnierbandkette

Delivery: **Easy** Standard

Pins: Stainless Steel | Backflex radius min.: 40 mm



Bevel System

10 feet
3.048 m
80 links

pg. 92-93

pg. 168

pg. 516->524

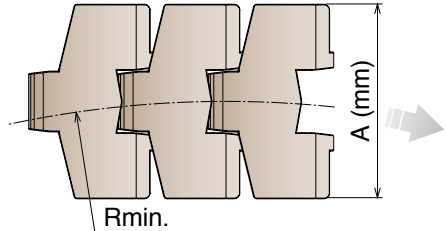
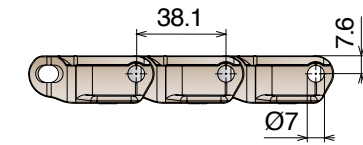
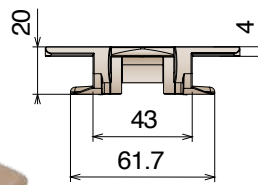
Article-Nr.	Ref.	A (Plate Width) mm	R mm	Weight kg/m	Max working load N	Material
11120102	LF 880 B K325	82,5	457	0,89	2200	LF
11120104	LF 880 B K350	88,9	457	0,93		
11120105	LF 880 B K450	114,3	457	1,05		
11120302	MX 880 B K325	82,5	457	0,89	1750	MX
11120304	MX 880 B K350	88,9	457	0,93		
11120305	MX 880 B K450	114,3	457	1,05		

880 TAB BO

Catena curvilinea
Sideflexing chain / Kurvengängige Scharnierbandkette

Delivery: **Easy** Standard

Pins: Stainless Steel | Backflex radius min.: 40 mm



Tab System

10 feet
3.048 m
80 links

pg. 92-93

pg. 163/169

pg. 516->524

Article-Nr.	Ref.	A (Plate Width) mm	R mm	Weight kg/m	Max working load N	Material
11260102	LF 880 TAB BO K325	82,5	190	0,96	1680	LF
11260105	LF 880 TAB BO K450	114,3	190	1,10		
11260302	MX 880 TAB BO K325	82,5	190	0,96	1350	MX
11260305	MX 880 TAB BO K450	114,3	190	1,10		

882 M

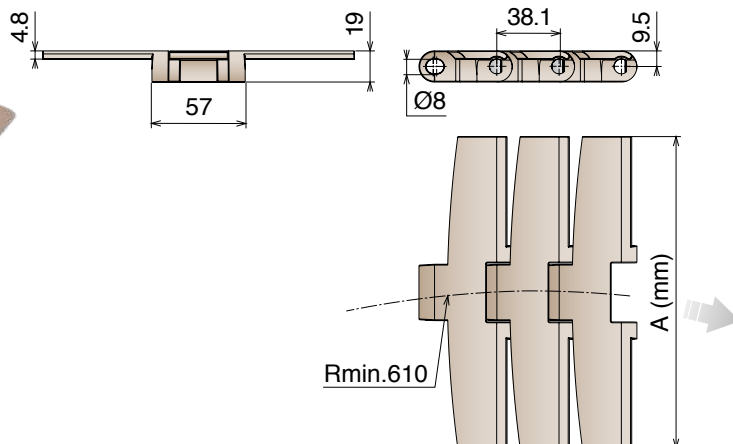
Catene in plastica / Plastic chains / Scharnierbandketten aus Kunststoff

882 M

Catena curvilinea
Sideflexing chain / Kurvengängige Scharnierbandkette

Delivery: **Easy** Standard

Pins: Ferritic Stainless Steel | Backflex radius min.: 50 mm



Magnetic System



10 feet
3.048 m

80 links



pg. 94-95/110



pg. 131->136



pg. 516->524

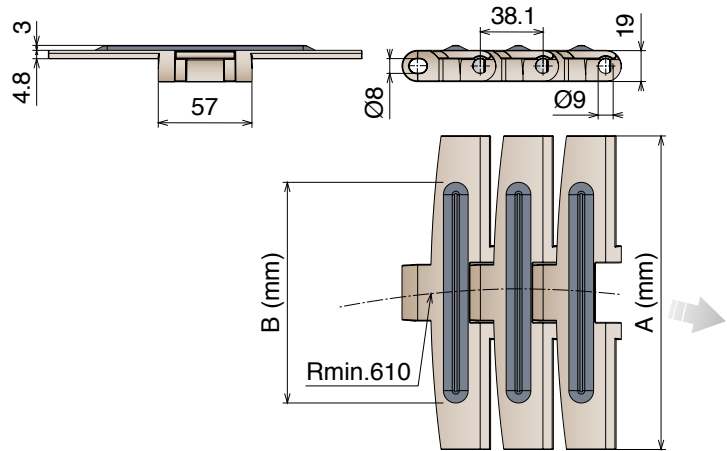
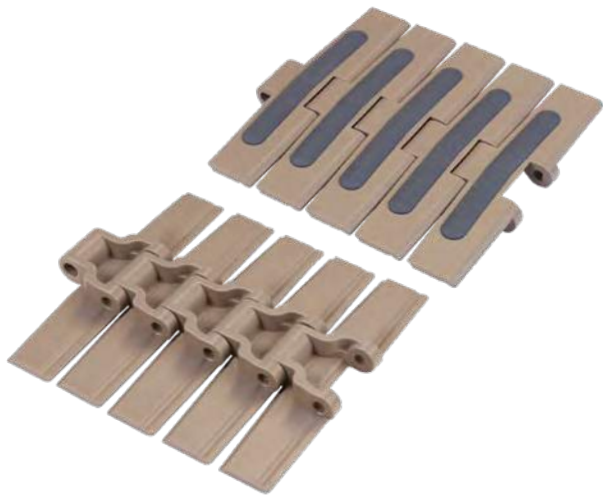
Article-Nr.	Ref.	A (Plate Width) mm	Weight kg/m	Max working load N	Material
11130107	LF 882 M K750	190,5	2,14	3830	LF
11130108	LF 882 M K1000	254,0	2,45		
11130109	LF 882 M K1200	304,8	2,68		
11130307	MX 882 M K750	190,5	2,14	3050	MX
11130308	MX 882 M K1000	254,0	2,45		
11130309	MX 882 M K1200	304,8	2,68		

882 M GT

Catena curvilinea
Sideflexing chain / Kurvengängige Scharnierbandkette

Delivery: **Easy** **Standard**

Pins: Ferritic Stainless Steel | Backflex radius min.: 50 mm | TPE Rubber: 75 ShA



Magnetic System

5 feet
1.524 m
40 links

pg. 94-95/110

pg. 131->136

pg. 516->524

Article-Nr.	Ref.	A (Plate Width) mm	B (Rubber Width) mm	Weight kg/ m	Max working load N	Material
11150107	LF 882 M GT K750	190,5	134,0	2,10	3830	LF
11150108	LF 882 M GT K1000	254,0	197,0	2,45		
11150109	LF 882 M GT K1200	304,8	249,0	2,74		

882 M LBP

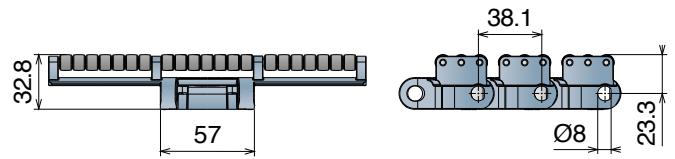
Catene in plastica / Plastic chains / Scharnierbandketten aus Kunststoff

882 M LBP

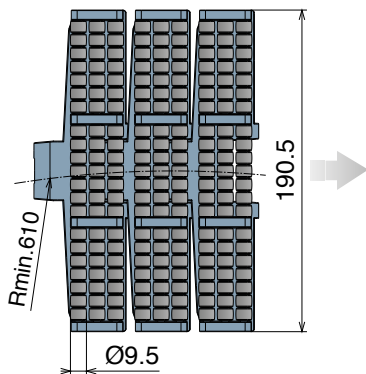
Catena curvilinea
Sideflexing chain / Kurvengängige Scharnierbandkette

Delivery: **Easy** Standard

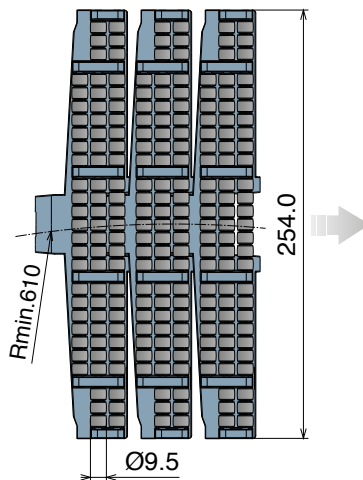
Pins: Ferritic Stainless Steel | Backflex radius min.: 150 mm



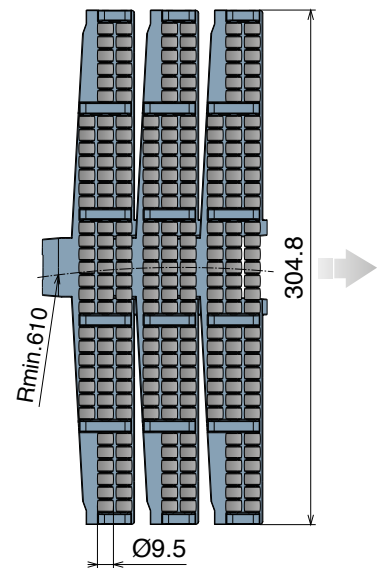
K750



K1000



K1200



Magnetic System

5 feet 1.524 m			
40 links	pg. 94-95/110	pg. 137->140	pg. 516->524

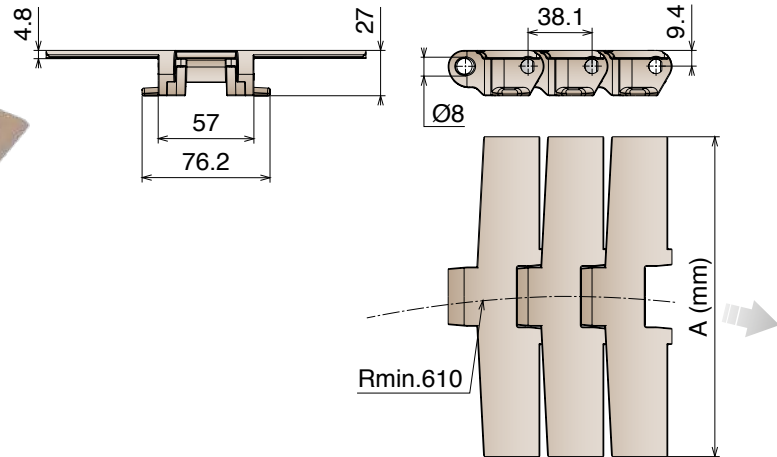
Article-Nr.	Ref.	A (Plate Width) mm	Weight kg/m	Max working load N	Material
11170107	LFA 882 M LBP K750	190,5	3,92	3830	LFA
11170108	LFA 882 M LBP K1000	254,0	4,94		
11170109	LFA 882 M LBP K1200	304,8	5,82		

882 TAB

Catena curvilinea
Sideflexing chain / Kurvengängige Scharnierbandkette

Delivery: **Easy** **Standard**

Pins: Stainless Steel | Backflex radius min.: 40 mm



Tab System

10 feet
3.048 m
80 links

pg. 94-95/110

pg. 164/169

pg. 516->524

Article-Nr.	Ref.	A (Plate Width) mm	Weight kg/m	Max working load N	Material
11140105	LF 882 TAB K450	114,3	2,05	3830	LF
11140106	LF 882 TAB K600	152,4	2,20		
11140107	LF 882 TAB K750	190,5	2,45		
11140108	LF 882 TAB K1000	254,0	2,85		
11140109	LF 882 TAB K1200	304,8	3,40		
11140305	MX 882 TAB K450	114,3	2,05	3050	MX
11140306	MX 882 TAB K600	152,4	2,20		
11140307	MX 882 TAB K750	190,5	2,45		
11140308	MX 882 TAB K1000	254,0	2,85		
11140309	MX 882 TAB K1200	304,8	3,40		
11142505	MPX 882 TAB K450	114,3	2,05	3830	MPX
11142506	MPX 882 TAB K600	152,4	2,20		
11142507	MPX 882 TAB K750	190,5	2,45		
11142508	MPX 882 TAB K1000	254,0	2,85		
11142509	MPX 882 TAB K1200	304,8	3,40		
11141705	MWX 882 TAB K450	114,3	2,05	3830	MWX
11141706	MWX 882 TAB K600	152,4	2,20		
11141707	MWX 882 TAB K750	190,5	2,45		
11141708	MWX 882 TAB K1000	254,0	2,85		
11141709	MWX 882 TAB K1200	304,8	3,40		

882 TAB GT

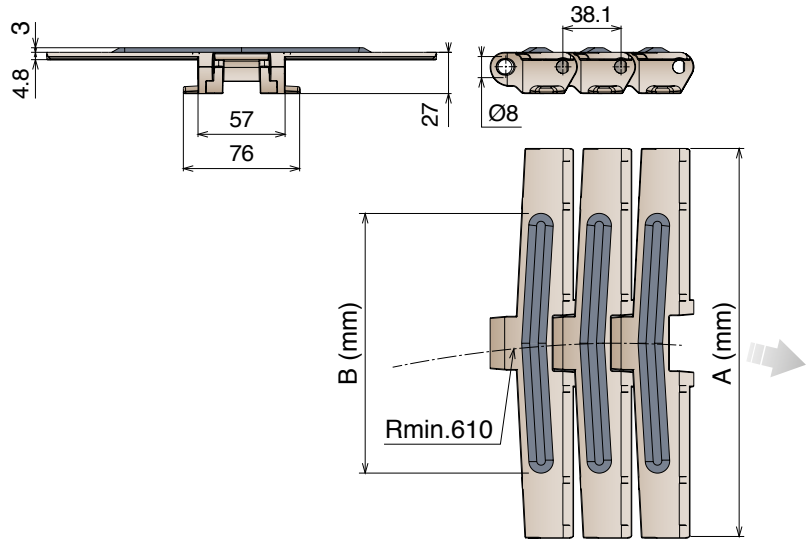
Catene in plastica / Plastic chains / Scharnierbandketten aus Kunststoff

882 TAB GT

Catena curvilinea
Sideflexing chain / Kurvengängige Scharnierbandkette

Delivery: **Easy** Standard

Pins: Stainless Steel | Backflex radius min.: 40 mm | TPE Rubber: 75 ShA



Tab System

5 feet
1.524 m
40 links

pg. 94-95/110

pg. 164/169

pg. 516->524

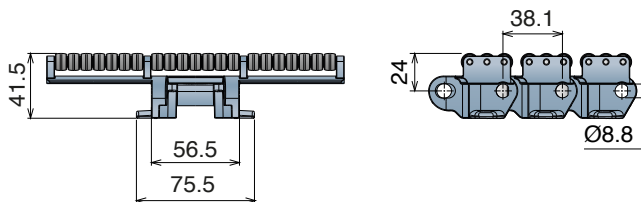
Article-Nr.	Ref.	A (Plate Width) mm	B (Rubber Width) mm	Weight kg/m	Max working load N	Material
11160107	LF 882 TAB GT K750	190,5	134,0	2,37	3830	LF
11160108	LF 882 TAB GT K1000	254,0	197,0	2,67		
11160109	LF 882 TAB GT K1200	304,8	249,0	2,92		
11160307	MX 882 TAB GT K750	190,5	134,0	2,37	3050	MX
11160308	MX 882 TAB GT K1000	254,0	197,0	2,67		
11160309	MX 882 TAB GT K1200	304,8	249,0	2,92		

882 TAB LBP

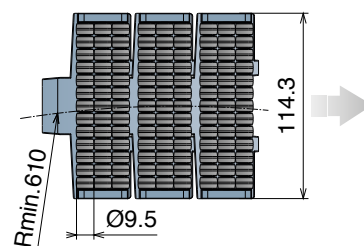
Catena curvilinea
Sideflexing chain / Kurvengängige Scharnierbandkette

Delivery: **Easy** **Standard**

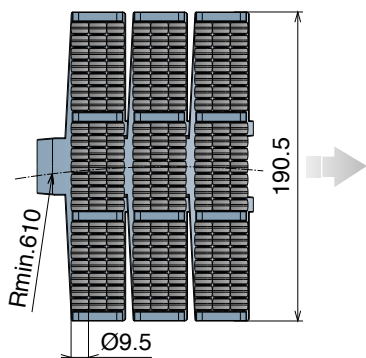
Pins: Stainless Steel | Backflex radius min.: 150 mm



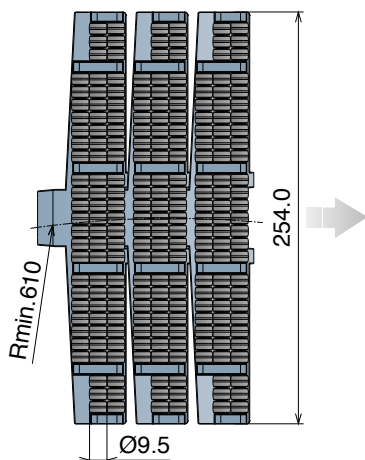
K450



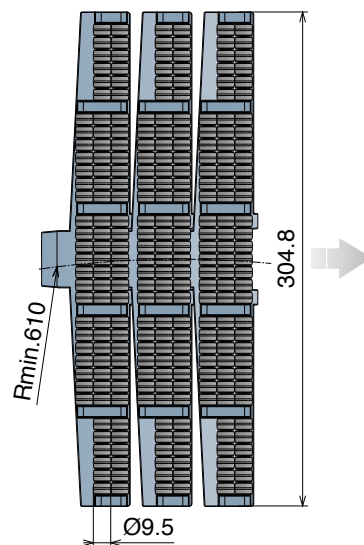
K750



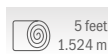
K1000



K1200



Tab System



40 links



pg. 94-95/110



pg. 164/169



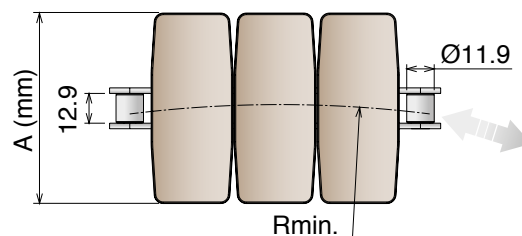
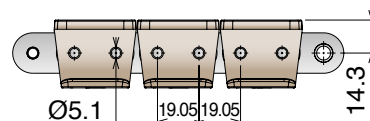
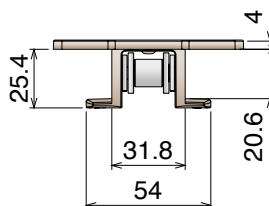
pg. 516->524

Article-Nr.	Ref.	Plate Width mm	Weight kg/m	Max working load N	Material
11180105	LFA 882 TAB LBP K450	114,3	4,00	3830	LFA
11180107	LFA 882 TAB LBP K750	190,5	4,70		
11180108	LFA 882 TAB LBP K1000	254,0	5,95		
11180109	LFA 882 TAB LBP K1200	304,8	6,55		

1873 Catena curvilinea Sideflexing chain / Kurvengängige Scharnierbandkette

Delivery: **Easy** **Standard**

The stainless steel version is supplied with LONG-LIFE SS roller chain.



Tab System

10 feet
3.048 m
80 flights

SPROCKET
ASA 60
Standard on market

pg. 165/170

pg. 516->524

Standard length roller chain: 160 Pitches

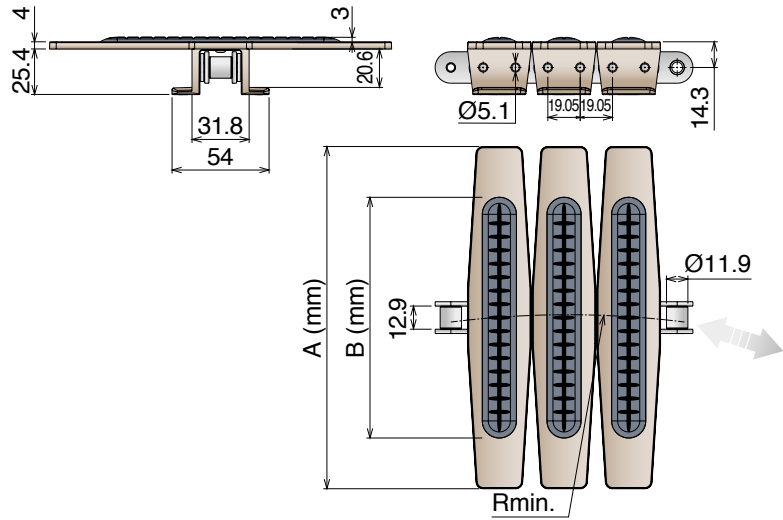
Article-Nr.	Chain	Ref.	A (Plate Width) mm	R mm	Weight kg/m	Max working load N	Backflex radius min. mm	Material
11590102	C45	LF 1873 TAB K325	82,5	355	2,10	4500	180	LF
11600102	Stainless Steel		82,5	355	2,10	3500		
11590105	C45	LF 1873 TAB K450	114,3	355	2,30	4500		
11600105	Stainless Steel		114,3	355	2,30	3500		
11590106	C45	LF 1873 TAB K600	152,4	457	2,40	4500		
11600106	Stainless Steel		152,4	457	2,40	3500		
11590107	C45	LF 1873 TAB K750	190,5	457	2,60	4500		
11600107	Stainless Steel		190,5	457	2,60	3500		
11590108	C45	LF 1873 TAB K1000	254,0	457	2,80	4500		
11600108	Stainless Steel		254,0	457	2,80	3500		
11590109	C45	LF 1873 TAB K1200	304,8	457	3,00	4500		
11600109	Stainless Steel		304,8	457	3,00	3500		
11590302	C45	MX 1873 TAB K325	82,5	355	2,10	4500	180	MX
11600302	Stainless Steel		82,5	355	2,10	3500		
11590305	C45	MX 1873 TAB K450	114,3	355	2,30	4500		
11600305	Stainless Steel		114,3	355	2,30	3500		
11590306	C45	MX 1873 TAB K600	152,4	457	2,40	4500		
11600306	Stainless Steel		152,4	457	2,40	3500		
11590307	C45	MX 1873 TAB K750	190,5	457	2,60	4500		
11600307	Stainless Steel		190,5	457	2,60	3500		
11590308	C45	MX 1873 TAB K1000	254,0	457	2,80	4500		
11600308	Stainless Steel		254,0	457	2,80	3500		
11590309	C45	MX 1873 TAB K1200	304,8	457	3,00	4500		
11600309	Stainless Steel		304,8	457	3,00	3500		

1873 GT

Catena curvilinea
Sideflexing chain / Kurvengängige Scharnierbandkette

Delivery: **Easy** **Standard**

The stainless steel version is supplied with LONG-LIFE SS roller chain. | TPE Rubber: 75 ShA



Standard length roller chain: 160 Pitches

Tab System

10 feet
3.048 m
80 flights

SPROCKET
ASA 60
Standard on market

pg. 165/170

pg. 516->524

Article-Nr.	Chain	Ref.	A (Plate Width) mm	B (Rubber Width) mm	Weight kg/m	Max working load N	Sideflex radius min. mm	Material
11610107	C45	LF 1873 GT TAB K750	190,5	134,0	2,60	4500	457	LF
11620107	Stainless Steel		190,5	134,0	2,60	3500		
11610108	C45	LF 1873 GT TAB K1000	254,0	192,0	2,80	4500		
11620108	Stainless Steel		254,0	192,0	2,80	3500		
11610109	C45	LF 1873 GT TAB K1200	304,8	252,0	3,00	4500	457	
11620109	Stainless Steel		304,8	252,0	3,00	3500		

1873 GRIPPER GS1

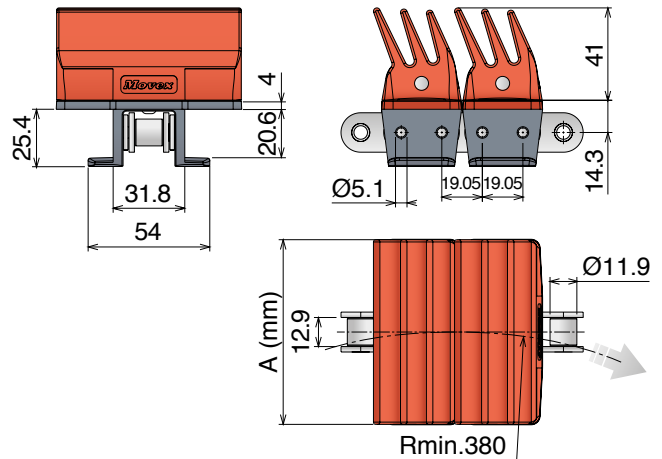
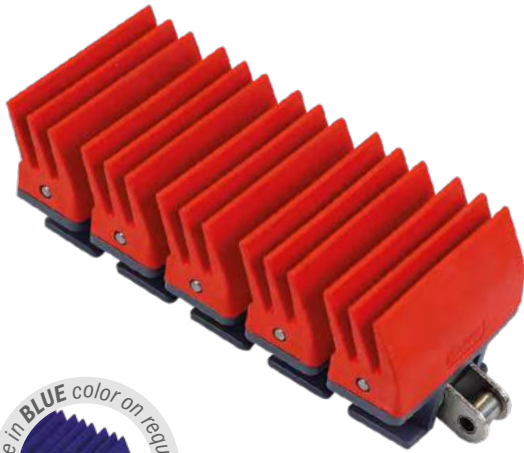
Catene in plastica / Plastic chains / Scharnierbandketten aus Kunststoff

1873 GRIPPER GS1

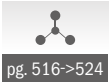
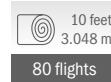
Catena curvilinea
Sideflexing chain / Kurvengängige Scharnierbandkette

Delivery: **Easy** **Standard**

The stainless steel version is supplied with LONG-LIFE SS roller chain.



Tab System



Standard length roller chain: 160 Pitches

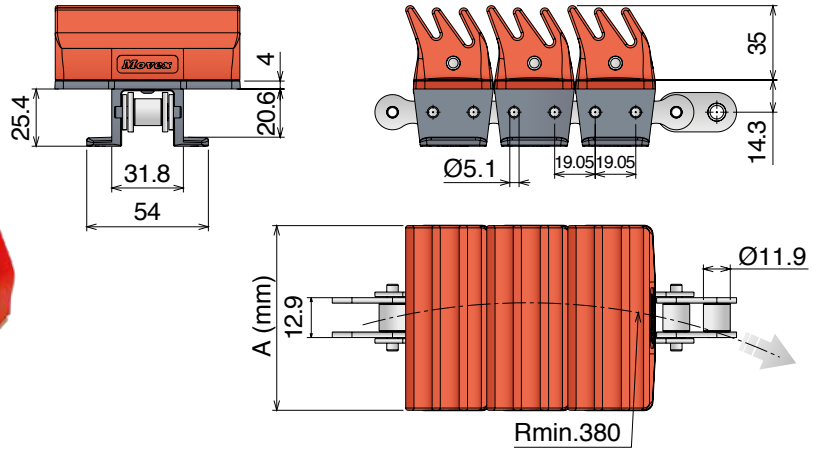
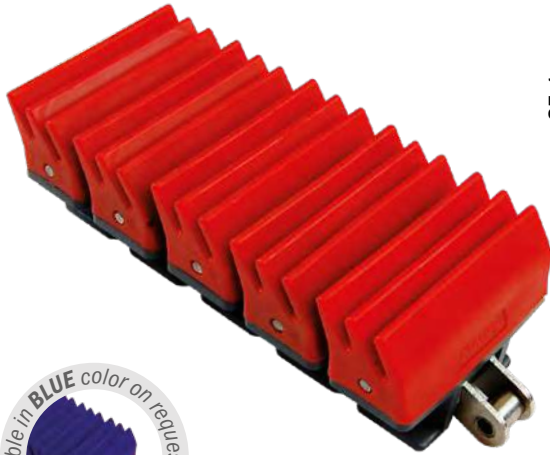
Article-Nr.	Chain	Ref.	A (Width) mm	Max working load N	Weight kg/m	Rubber	Material
11200102	C45	1873 TAB K325 GR	82,5	4500	4,354	Material: TPR Color: Red	LFD
11200105		1873 TAB K450 GR	114,3				
11200202	Nickel Plated Steel	1873 NP TAB K325 GR	82,5	4500			
11200205		1873 NP TAB K450 GR	114,3				
11200302	Stainless Steel	1873 SS TAB K325 GR	82,5	3500			
11200305		1873 SS TAB K450 GR	114,3				
11320102	C45	1873 TAB K325 GR	82,5	4500	4,354	Material: TPR Color: Red	MX
11320105		1873 TAB K450 GR	114,3				
11320202	Nickel Plated Steel	1873 NP TAB K325 GR	82,5	4500			
11320205		1873 NP TAB K450 GR	114,3				
11320302	Stainless Steel	1873 SS TAB K325 GR	82,5	3500			
11320305		1873 SS TAB K450 GR	114,3				
11210102	C45	1873 TAB K325 GR	82,5	4500	4,354	Material: EPDM-PP Color: Black	PP
11210105		1873 TAB K450 GR	114,3				
11210202	Nickel Plated Steel	1873 NP TAB K325 GR	82,5	4500			
11210205		1873 NP TAB K450 GR	114,3				
11210302	Stainless Steel	1873 SS TAB K325 GR	82,5	3500			
11210305		1873 SS TAB K450 GR	114,3				
11330102	C45	1873 TAB K325 GR	82,5	4500	4,354	Material: TPR Color: Red	MWX
11330105		1873 TAB K450 GR	114,3				
11330202	Nickel Plated Steel	1873 NP TAB K325 GR	82,5	4500			
11330205		1873 NP TAB K450 GR	114,3				
11330302	Stainless Steel	1873 SS TAB K325 GR	82,5	3500			
11330305		1873 SS TAB K450 GR	114,3				

1873 GRIPPER GS2

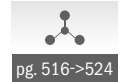
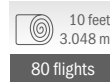
Catena curvilinea
Sideflexing chain / Kurvengängige Scharnierbandkette

Delivery: **Easy** Standard

The stainless steel version is supplied with LONG-LIFE SS roller chain.



Tab System



Standard length roller chain: 160 Pitches

Article-Nr.	Chain	Ref.	A (Width) mm	Max working load N	Weight kg/m	Rubber	Material			
11280102	C45	1873 TAB K325 GR	82,5	4500	4,354	Material: TPR Color: Red	LFD			
11280105		1873 TAB K450 GR	114,3							
11280202	Nickel Plated Steel	1873 NP TAB K325 GR	82,5	4500						
11280205		1873 NP TAB K450 GR	114,3							
11280302	Stainless Steel	1873 SS TAB K325 GR	82,5	3500						
11280305		1873 SS TAB K450 GR	114,3							
11340102	C45	1873 TAB K325 GR	82,5	4500				4,354	Material: TPR Color: Red	MX
11340105		1873 TAB K450 GR	114,3							
11340202	Nickel Plated Steel	1873 NP TAB K325 GR	82,5	4500						
11340205		1873 NP TAB K450 GR	114,3							
11340302	Stainless Steel	1873 SS TAB K325 GR	82,5	3500						
11340305		1873 SS TAB K450 GR	114,3							
11290102	C45	1873 TAB K325 GR	82,5	4500	4,354	Material: EPDM-PP Color: Black	PP			
11290105		1873 TAB K450 GR	114,3							
11290202	Nickel Plated Steel	1873 NP TAB K325 GR	82,5	4500						
11290205		1873 NP TAB K450 GR	114,3							
11290302	Stainless Steel	1873 SS TAB K325 GR	82,5	3500						
11290305		1873 SS TAB K450 GR	114,3							
11350102	C45	1873 TAB K325 GR	82,5	4500				4,354	Material: TPR Color: Red	MWX
11350105		1873 TAB K450 GR	114,3							
11350202	Nickel Plated Steel	1873 NP TAB K325 GR	82,5	4500						
11350205		1873 NP TAB K450 GR	114,3							
11350302	Stainless Steel	1873 SS TAB K325 GR	82,5	3500						
11350305		1873 SS TAB K450 GR	114,3							

1873 GRIPPER GS4

Catene in plastica / Plastic chains / Scharnierbandketten aus Kunststoff

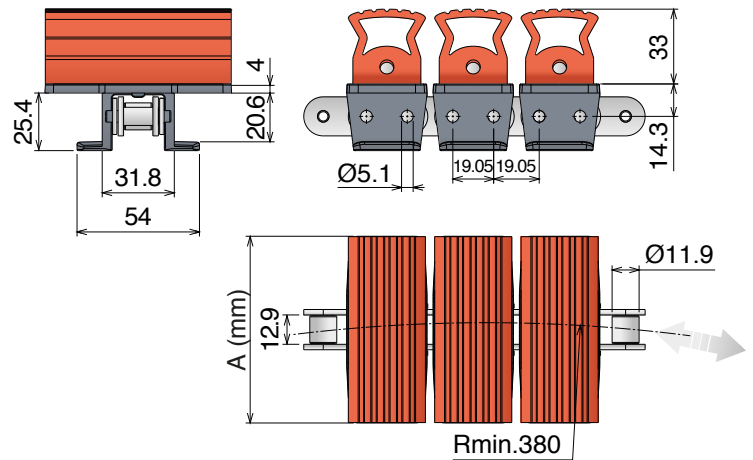
1873 GRIPPER GS4

Catena curvilinea

Sideflexing chain / Kurvengängige Scharnierbandkette

Delivery: **Easy** **Standard**

The stainless steel version is supplied with LONG-LIFE SS roller chain.



Tab System



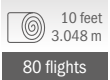
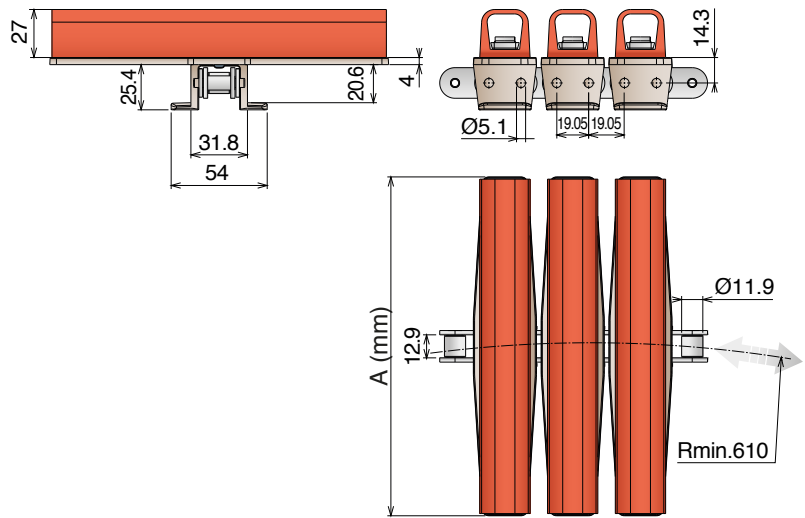
Standard length roller chain: 160 Pitches

Article-Nr.	Chain	Ref.	A (Width) mm	Max working load N	Weight kg/m	Rubber	Material	
11830102	C45	1873 TAB K325 GR	82,5	4500	4,15	Material: TPR	LFD	
11830105		1873 TAB K450 GR	114,3					
11830202	Nickel Plated Steel	1873 NP TAB K325 GR	82,5	4500				
11830205		1873 NP TAB K450 GR	114,3					
11830302	Stainless Steel	1873 SS TAB K325 GR	82,5	3500				Color: Red
11830305		1873 SS TAB K450 GR	114,3					
11840102	C45	1873 TAB K325 GR	82,5	4500	4,15	Material: TPR	MX	
11840105		1873 TAB K450 GR	114,3					
11840202	Nickel Plated Steel	1873 NP TAB K325 GR	82,5	4500				
11840205		1873 NP TAB K450 GR	114,3					
11840302	Stainless Steel	1873 SS TAB K325 GR	82,5	3500				Color: Red
11840305		1873 SS TAB K450 GR	114,3					
11850102	C45	1873 TAB K325 GR	82,5	4500	4,15	Material: EPDM-PP	PP	
11850105		1873 TAB K450 GR	114,3					
11850202	Nickel Plated Steel	1873 NP TAB K325 GR	82,5	4500				
11850205		1873 NP TAB K450 GR	114,3					
11850302	Stainless Steel	1873 SS TAB K325 GR	82,5	3500				Color: Black
11850305		1873 SS TAB K450 GR	114,3					
11860102	C45	1873 TAB K325 GR	82,5	4500	4,15	Material: TPR	MWX	
11860105		1873 TAB K450 GR	114,3					
11860202	Nickel Plated Steel	1873 NP TAB K325 GR	82,5	4500				
11860205		1873 NP TAB K450 GR	114,3					
11860302	Stainless Steel	1873 SS TAB K325 GR	82,5	3500				Color: Red
11860305		1873 SS TAB K450 GR	114,3					

1873 D-SHAPE

Catena curvilinea
Sideflexing chain / Kurvengängige Scharnierbandkette

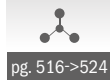
The stainless steel version is supplied with LONG-LIFE SS roller chain.



SPROCKET
ASA 60
Standard on market



pg. 165/170



pg. 516->524

Tab System

Standard lenght roller chain: 160 Pitches

Article-Nr.	Chain	Ref.	A (Width) mm	Weight kg/m	Max working load N	Rubber	Material
11870106	C45	1873 TAB K600 D	152,4	4,00	4500	Material: TPR Color: Red	LF
11870107		1873 TAB K750 D	190,5	4,90			
11870206	Nickel Plated Steel	1873 NP TAB K600 D	152,4	4,00	4500		
11870207		1873 NP TAB K750 D	190,5	4,90			
11870306	Stainless Steel	1873 SS TAB K600 D	152,4	4,00	3500		
11870307		1873 SS TAB K750 D	190,5	4,90			
11880106	C45	1873 TAB K600 D	152,4	4,00	4500	Material: TPR Color: Red	MX
11880107		1873 TAB K750 D	190,5	4,90			
11880206	Nickel Plated Steel	1873 NP TAB K600 D	152,4	4,00	4500		
11880207		1873 NP TAB K750 D	190,5	4,90			
11880306	Stainless Steel	1873 SS TAB K600 D	152,4	4,00	3500		
11880307		1873 SS TAB K750 D	190,5	4,90			
11890106	C45	1873 TAB K600 D	152,4	4,00	4500	Material: EPDM-PP Color: Black	MPX
11890107		1873 TAB K750 D	190,5	4,90			
11890206	Nickel Plated Steel	1873 NP TAB K600 D	152,4	4,00	4500		
11890207		1873 NP TAB K750 D	190,5	4,90			
11890306	Stainless Steel	1873 SS TAB K600 D	152,4	4,00	3500		
11890307		1873 SS TAB K750 D	190,5	4,90			

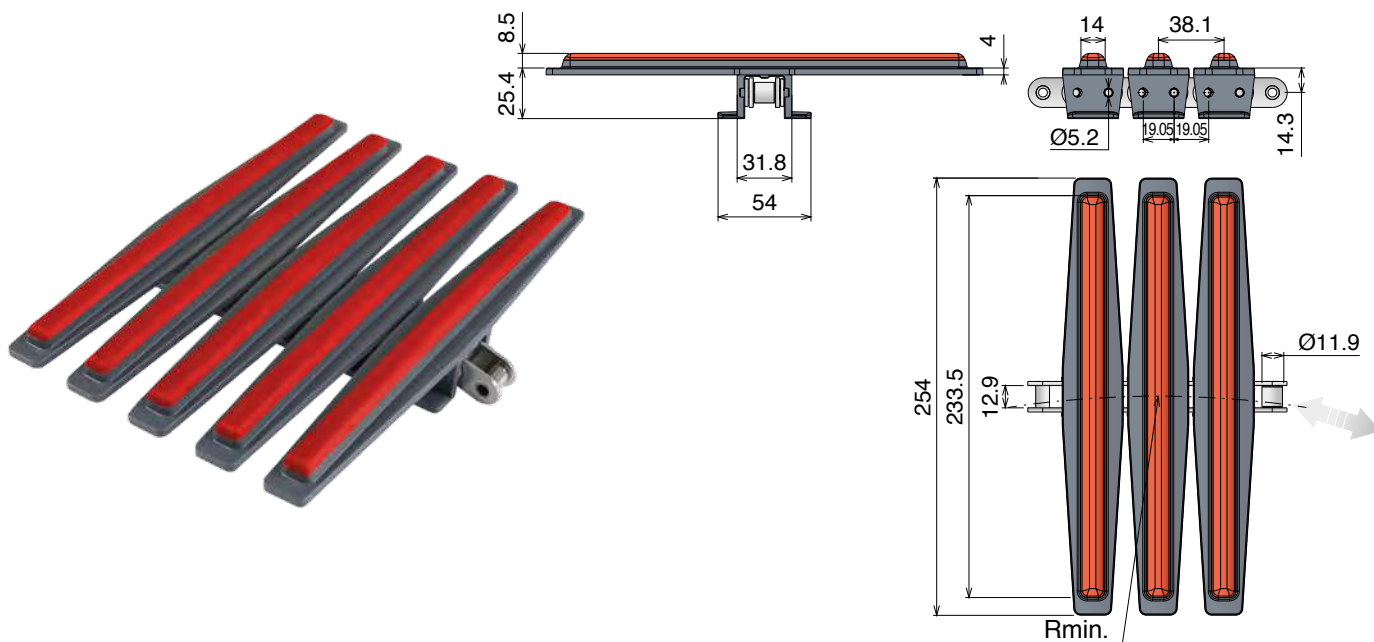


1873 MX1

Catene in plastica / Plastic chains / Scharnierbandketten aus Kunststoff

1873 MX1 Catena curvilinea Sideflexing chain / Kurvengängige Scharnierbandkette

The stainless steel version is supplied with LONG-LIFE SS roller chain. | TPR Rubber: 75 ShA



Tab System

10 feet
3.048 m
80 flights

SPROCKET
ASA 60
Standard on
market

pg. 165/170

pg. 516->524

Standard length roller chain: 160 Pitches

Article-Nr.	Chain	Ref.	Plate Width mm	Weight kg/m	Max working load N	Sideflex radius min. mm	Material
11790108	C45				4500		
11780108	Nickel Plated Steel	1873 LFTAB K1000	254,0	2,80	4500	457	LF
11690108	Stainless Steel				3500		

1873 MX1

Chain for hot-fill applications, neck & cap sterilizing.

+ ExtraInfo

+ Care

Designed to keep the products in the correct position during the twist movement.

+ Temperature resistance

The rubber is developed for and perfectly resistant against the higher temperatures of the hot-filled products.

+ Long life roller chain

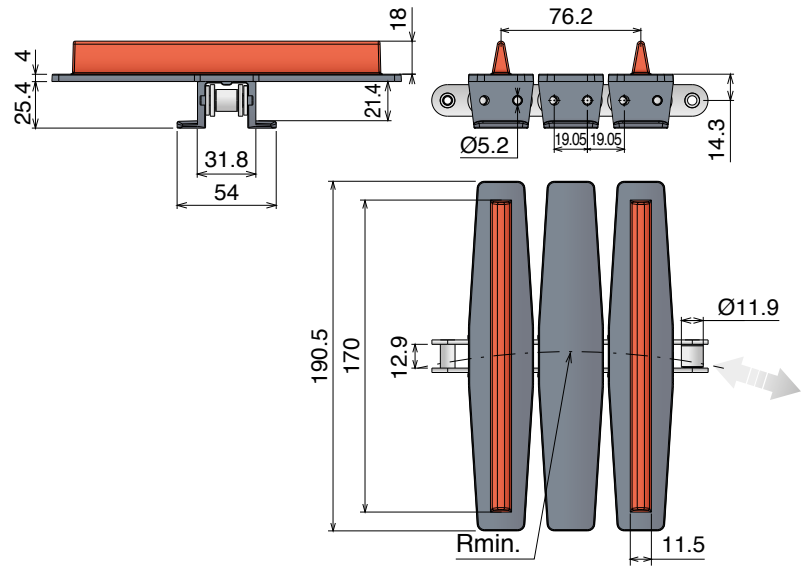
Special hardened pins and bushing guarantee a longer lifetime. Chain can twist 90° in 1500 mm.

+ Product stability

The new developed design guarantees a perfect connection between rubber and plate.

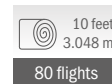
1873 MX2 Catena curvilinea Sideflexing chain / Kurvengängige Scharnierbandkette

The stainless steel version is supplied with LONG-LIFE SS roller chain. | TPR Rubber: 75 ShA



Standard length roller chain: 160 Pitches

Tab System



Article-Nr.	Chain	Ref.	Plate Width mm	Weight kg/m	Max working load N	Sideflex radius min. mm	Material
11770107	C45	1873 LF TAB K750	190,5	2,60	4500	457	LF
11760107	Nickel Plated Steel				4500		
11670107	Stainless Steel				3500		

1873 MX2

Chain for twisting cans.

+ Care

Designed to twist cans without pressure.

+ Temperature resistance

Materials are suitable for use at high temperatures.

+ Long life roller chain

Special hardened pins and bushing guarantee a longer lifetime. Chain can twist 90° in 1500 mm.

+ ExtraInfo

+ Product stability

The flights assure the position of the cans also at higher speed.



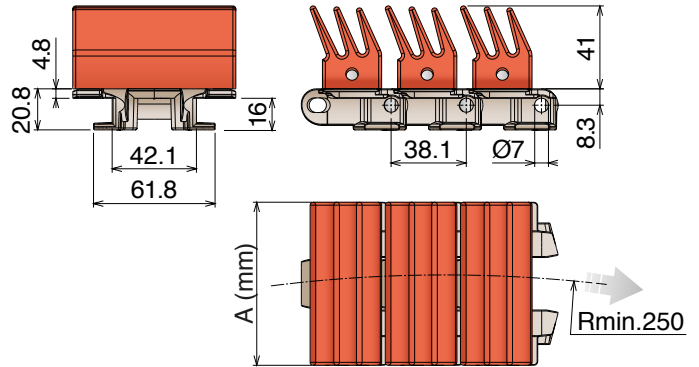
878 GRIPPER GS1/GS2/GS4

Catene in plastica / Plastic chains / Scharnierbandketten aus Kunststoff

878 GRIPPER

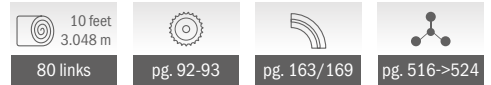
Catena curvilinea
Sideflexing chain / Kurvengängige Scharnierbandkette

Delivery: **Easy** **Standard**

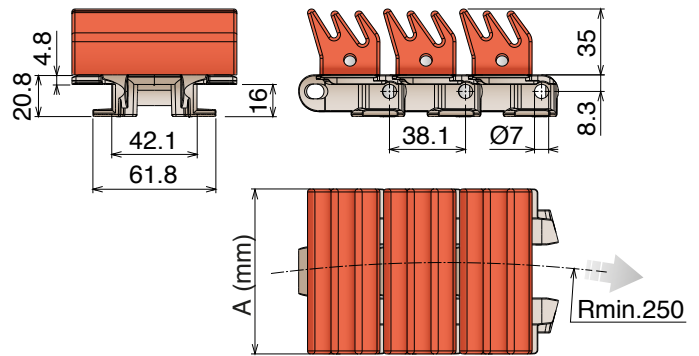


GS1

Tab System

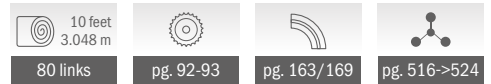


Article-Nr.	Ref.	A (Plate Width) mm	R mm	Weight kg/m	Max working load N	Rubber	Material
11800102	LF 878 GS1 K325	82,5	250	4,65	2200	TPR	LF

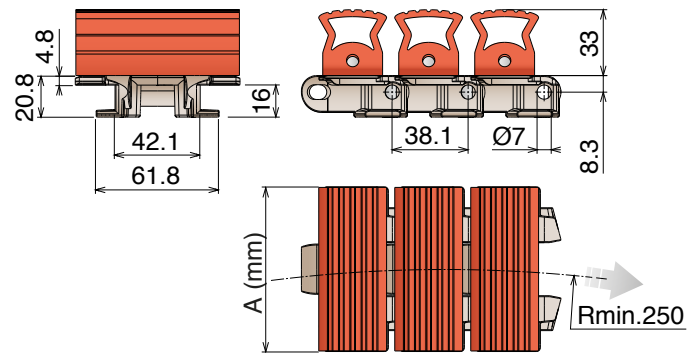


GS2

Tab System

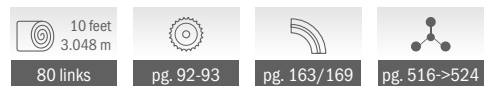


Article-Nr.	Ref.	A (Plate Width) mm	R mm	Weight kg/m	Max working load N	Rubber	Material
11810102	LF 878 GS2 K325	82,5	250	4,05	2200	TPR	LF



GS4

Tab System

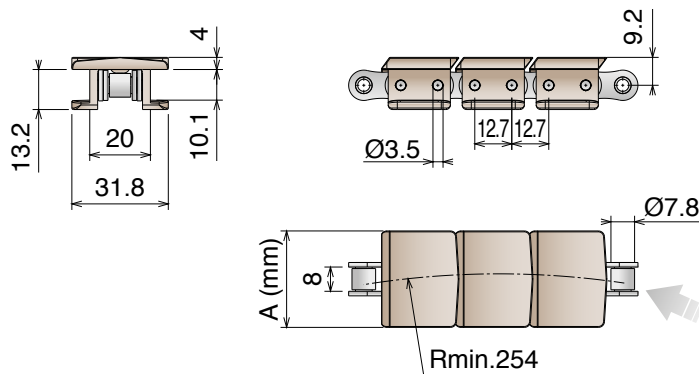


Article-Nr.	Ref.	A (Plate Width) mm	R mm	Weight kg/m	Max working load N	Rubber	Material
11820102	LF 878 GS4 K325	82,5	250	4,10	2200	TPR	LF

1843

Catena curvilinea
Sideflexing chain / Kurvengängige Scharnierbandkette

Delivery: **Easy** **Standard**



Standard length roller chain: 240 Pitches

Tab System

10 feet
3.048 m
120 links

SPROCKET
ASA 40
Standard on market

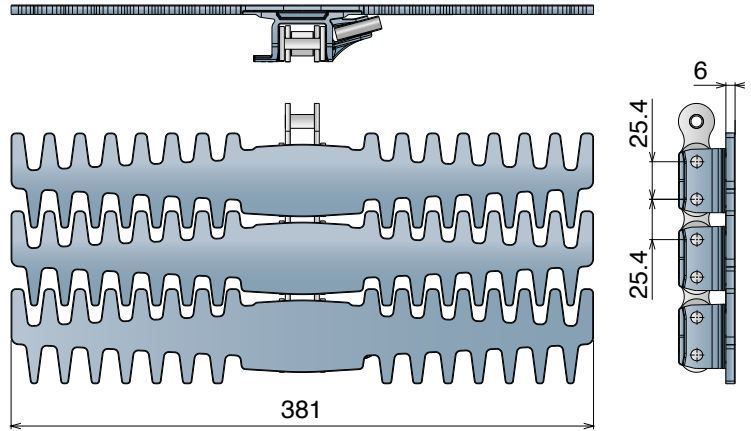
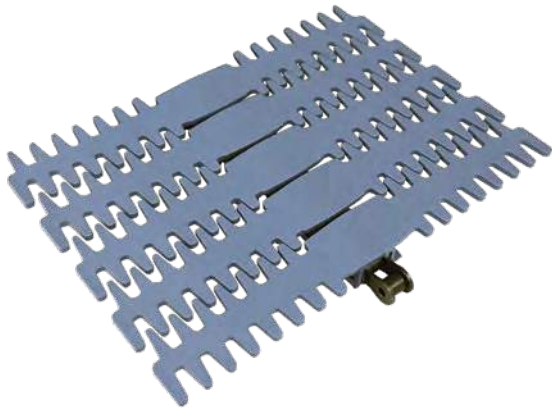
pg. 166/170

pg. 516->524

Article-Nr.	Chain	Ref.	A (Plate Width) mm	R mm	Weight kg/m	Max working load N	Backflex radius min. mm	Material
11400117	C45	LF 1843 TAB K125	31,8	254	0,74	2700	50	LF
11410117	Stainless Steel		31,8	254	0,74	1900		
11400119	C45	LF 1843 TAB K200	50,8	254	0,89	2700		
11410119	Stainless Steel		50,8	254	0,89	1900		
11400317	C45	MX 1843 TAB K125	31,8	254	0,74	2700	50	MX
11410317	Stainless Steel		31,8	254	0,74	1900		
11400319	C45	MX 1843 TAB K200	50,8	254	0,89	2700		
11410319	Stainless Steel		50,8	254	0,89	1900		

SP 1883

Catena curvilinea
Sideflexing chain / Kurvengängige Scharnierbandkette



Standard length roller chain: 120 Pitches

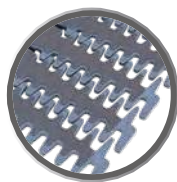


SPROCKET
ASA 80
Standard on market



Article-Nr.	Chain	Ref.	Plate Width mm	Weight kg/m	Max working load N	Sideflex radius min. mm	Material
11640110	C45	LFA SP 1883 TAB K1500	381,0	12,5	6500	711	LFA

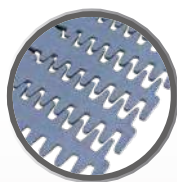
Spiral Conveyor Technology



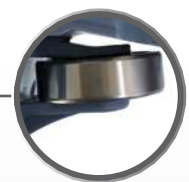
Grip Top



Reinforced Chain C45 or SS Pitch 25.4 mm



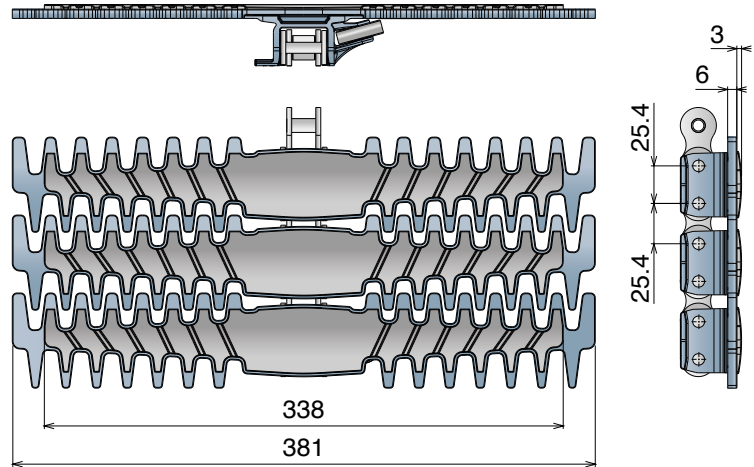
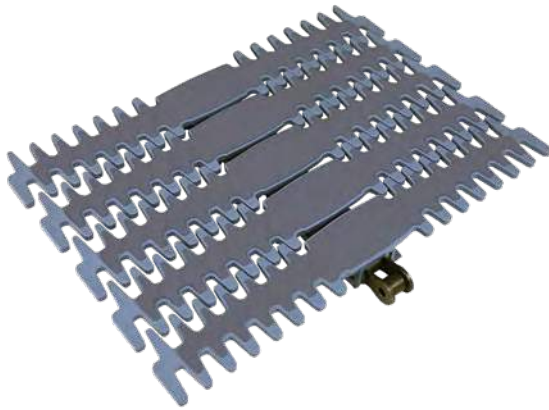
Flat Top



SS Ball Bearing

SP 1883 GT

Catena curvilinea
Sideflexing chain / Kurvengängige Scharnierbandkette



Standard length roller chain: 120 Pitches

10 feet 3.048 m	SPROCKET ASA 80 Standard on market	pg. 516->524
60 links		

Article-Nr.	Chain	Ref.	Plate Width mm	Weight kg/m	Max working load N	Sideflex radius min. mm	Material
11650110	C45	LFA SP 1883 GT TAB K1500	381,0	13,0	6500	711	LFA



CC 600-CC 600 TAB

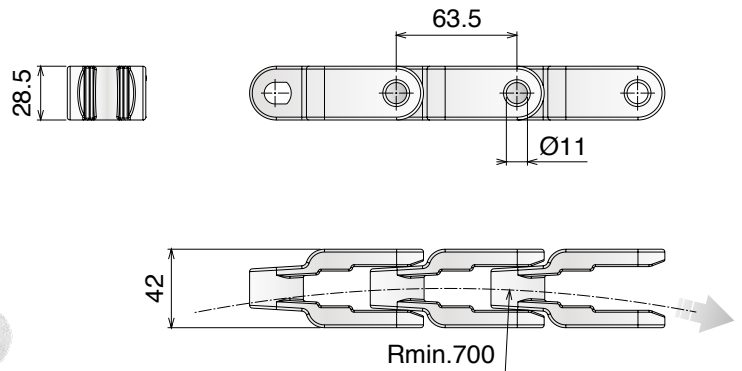
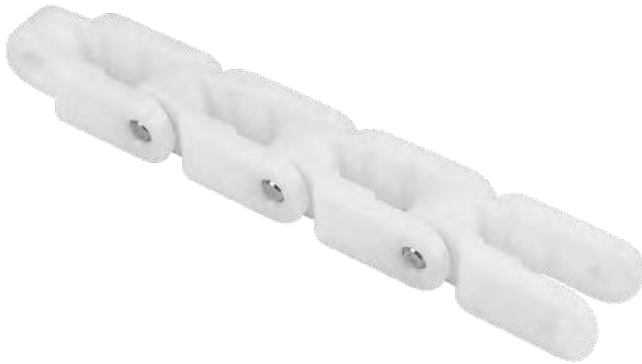
Catene in plastica / Plastic chains / Scharnierbandketten aus Kunststoff

CC 600

Catena curvilinea
Sideflexing chain / Kurvengängige Scharnierbandkette

Delivery: **Easy** Standard

Pins: Stainless Steel | Backflex radius min.: 50 mm



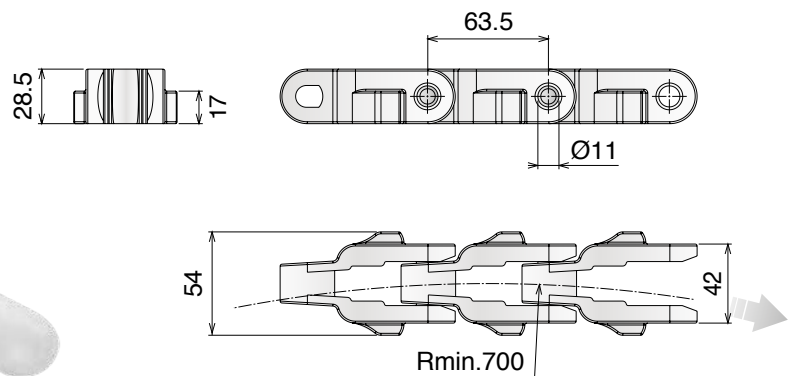
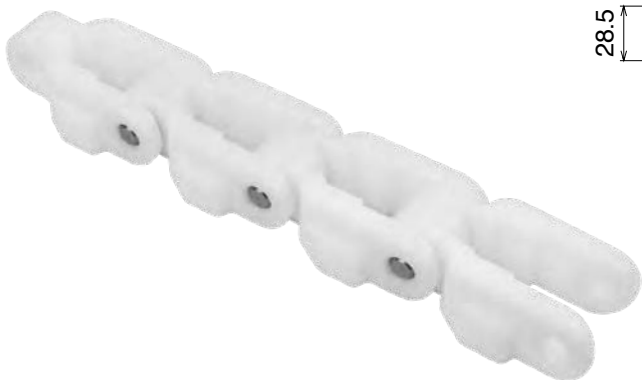
Article-Nr.	Ref.	Plate Width mm	Weight kg/m	Max working load N	Material
11220400	CC 600	42	1,35	4000	LFN
11220300	CC 600	42	1,35	3200	MX

CC 600 TAB

Catena curvilinea
Sideflexing chain / Kurvengängige Scharnierbandkette

Delivery: **Easy** Standard

Pins: Stainless Steel | Backflex radius min.: 50 mm



Tab System



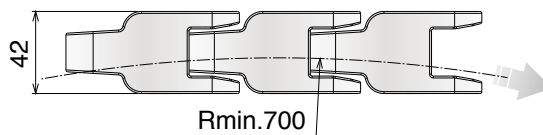
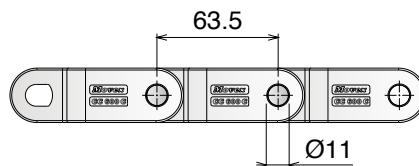
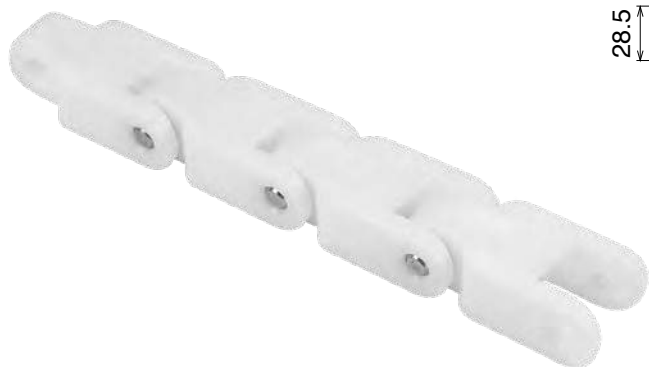
Article-Nr.	Ref.	Plate Width mm	Weight kg/m	Max working load N	Material
11230400	CC 600 TAB	42	1,45	4000	LFN
11230300	CC 600 TAB	42	1,45	3200	MX

CC 600 D

Catena curvilinea
Sideflexing chain / Kurvengängige Scharnierbandkette

Delivery: **Easy** Standard

Pins: Stainless Steel | Backflex radius min.: 50 mm



48 links



pg. 101



pg. 516->524

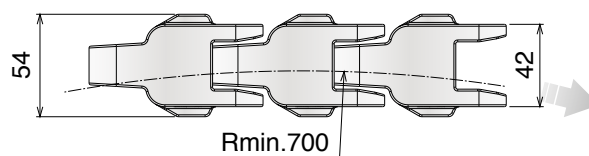
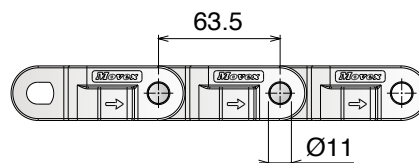
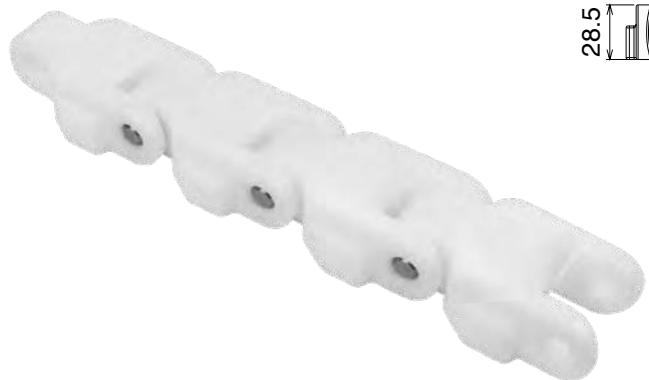
Article-Nr.	Ref.	Plate Width mm	Weight kg/m	Max working load N	Material
11220410	CC 600 D	42	1,40	4000	LFN
11220310	CC 600 D	42	1,40	3200	MX

CC 600 D TAB

Catena curvilinea
Sideflexing chain / Kurvengängige Scharnierbandkette

Delivery: **Easy** Standard

Pins: Stainless Steel | Backflex radius min.: 50 mm



Tab System



48 links



pg. 101



pg. 516->524

Article-Nr.	Ref.	Plate Width mm	Weight kg/m	Max working load N	Material
11230410	CC 600 D TAB	42	1,55	4000	LFN
11230310	CC 600 D TAB	42	1,55	3200	MX

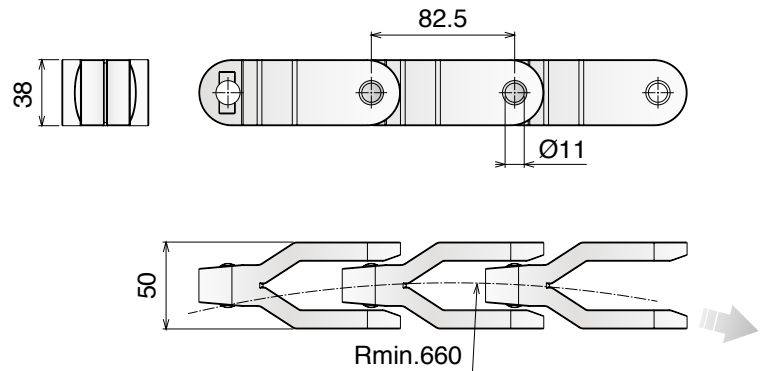
CC 1400-CC 1400 TAB

Catene in plastica / Plastic chains / Scharnierbandketten aus Kunststoff

CC 1400

Catena curvilinea
Sideflexing chain / Kurvengängige Scharnierbandkette

Pins: Stainless Steel | Backflex radius min.: 50 mm

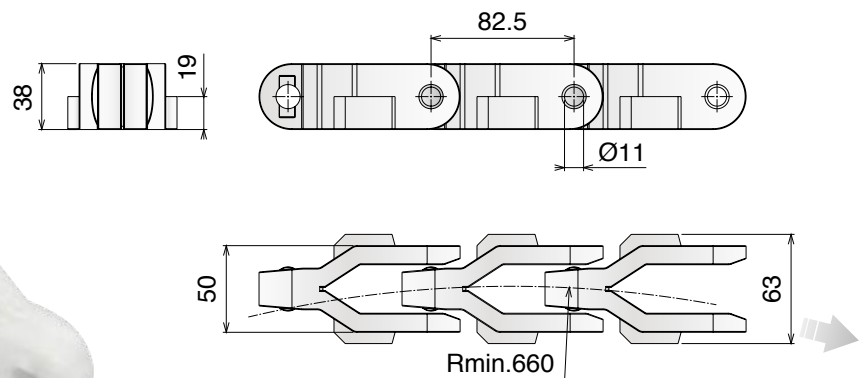


Article-Nr.	Ref.	Plate Width mm	Weight kg/m	Max working load N	Material
11300400	CC 1400	50	3,24	6500	LFN
11300300	CC 1400	50	3,24	5200	MX

CC 1400 TAB

Catena curvilinea
Sideflexing chain / Kurvengängige Scharnierbandkette

Pins: Stainless Steel | Backflex radius min.: 50 mm



Tab System

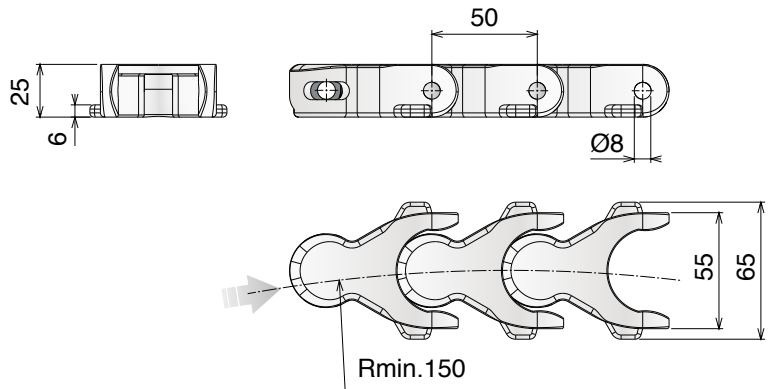


Article-Nr.	Ref.	Plate Width mm	Weight kg/m	Max working load N	Material
11310400	CC 1400 TAB	50	3,24	6500	LFN
11310300	CC 1400 TAB	50	3,24	5200	MX

1701 TAB OP

Catena curvilinea
Sideflexing chain / Kurvengängige Scharnierbandkette

Pins: Stainless Steel | Backflex radius min.: 50 mm



Tab System

10 feet 3.050 m	pg. 102	pg. 167/171	pg. 516->524
61 links			

Article-Nr.	Ref.	Plate Width mm	Weight kg/m	Max working load N	Material
11360400	LF 1701 TAB OP	55	1,40	2700	LFN

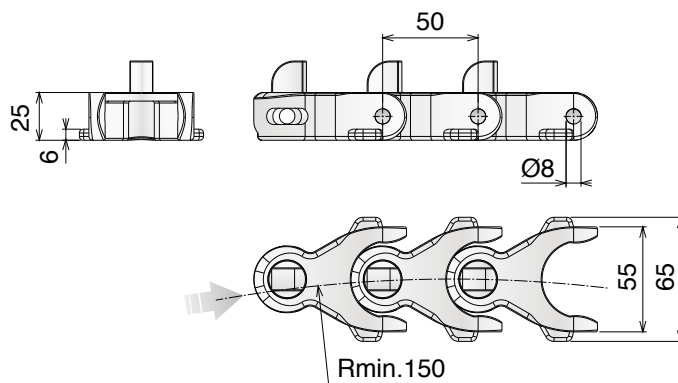
1701 TAB OPF

Catene in plastica / Plastic chains / Scharnierbandketten aus Kunststoff

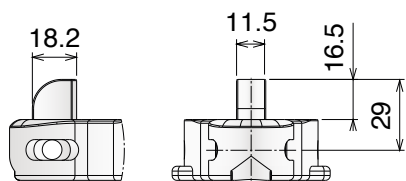
1701 TAB OPF

Catena curvilinea
Sideflexing chain / Kurvengängige Scharnierbandkette

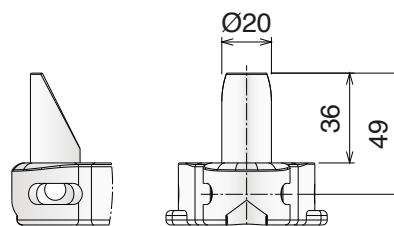
Pins: Stainless Steel



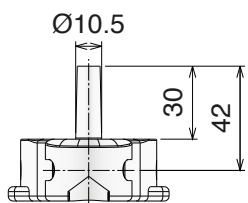
Type A



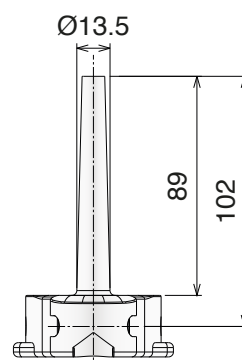
Type B



Type C



Type D



Tab System

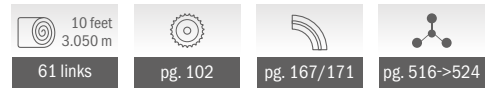
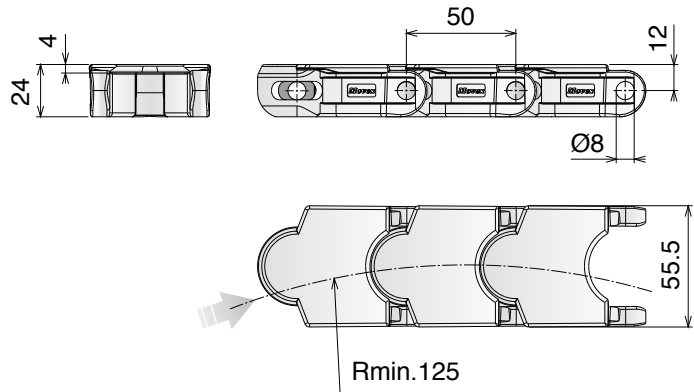
10 feet 3.050 m			
61 links	pg. 102	pg. 167/171	pg. 516->524

Article-Nr.	Ref.	Plate Width mm	Weight kg/m	Max working load N	Material
11360400-FA	1701 TAB Type A	55	1,60	2700	LFN
11360400-FB	1701 TAB Type B	55	1,60		
11360400-FC	1701 TAB Type C	55	2,00		
11360400-FD	1701 TAB Type D	55	2,30		

1706

Catena curvilinea
Sideflexing chain / Kurvengängige Scharnierbandkette

Pins: Stainless Steel | Backflex radius min.: 50 mm

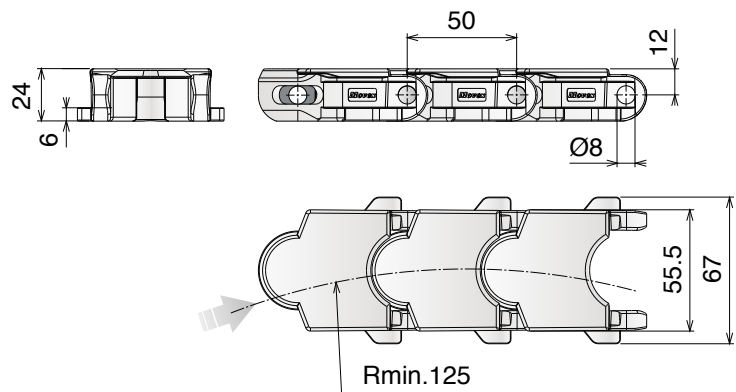


Article-Nr.	Ref.	Plate Width mm	Weight kg/m	Max working load N	Material
11720400	LF 1706	55,5	1,35	2300	LFN
11720300	MX 1706	55,5	1,35	1900	MX

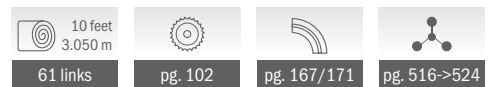
1706 TAB

Catena curvilinea
Sideflexing chain / Kurvengängige Scharnierbandkette

Pins: Stainless Steel | Backflex radius min.: 50 mm



Tab System



Article-Nr.	Ref.	Plate Width mm	Weight kg/m	Max working load N	Material
11730400	LF 1706 TAB	55,5	1,38	2300	LFN
11730300	MX 1706 TAB	55,5	1,38	1900	MX

765 NO GAP

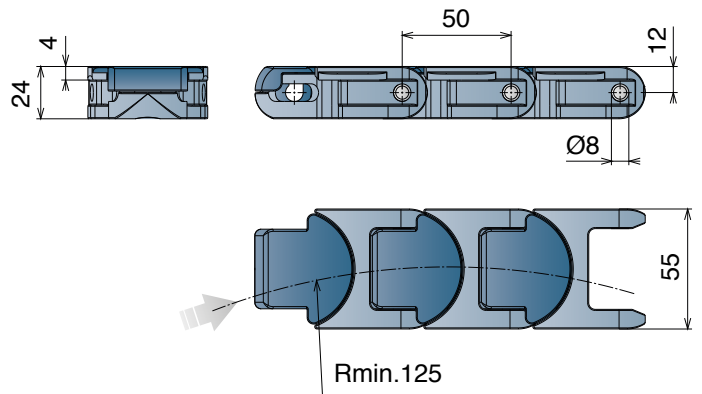
Catene in plastica / Plastic chains / Scharnierbandketten aus Kunststoff

765 NO GAP

Catena curvilinea
Sideflexing chain / Kurvengängige Scharnierbandkette

Delivery: **Easy** Standard

Pins: Stainless Steel | Backflex radius min.: 50 mm



Article-Nr.	Ref.	Plate Width mm	Weight kg/m	Max working load N	Material
11940100	765 LFA NO GAP	55	1,46	2670	LFA



Advantages:

- ▶ Improved safety
- ▶ Product stability
- ▶ Ideal to transporting small products

43 MF-63 MF-83 MF-103 MF

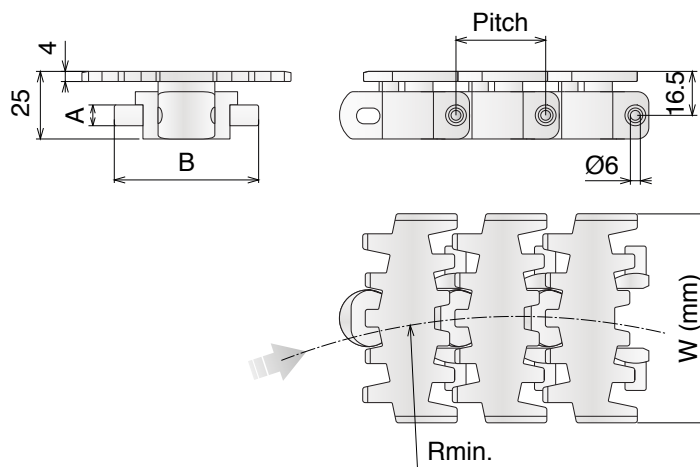
Catena curvilinea
Sideflexing chain
Kurvengängige Scharnierbandkette

Delivery: **Easy** Standard

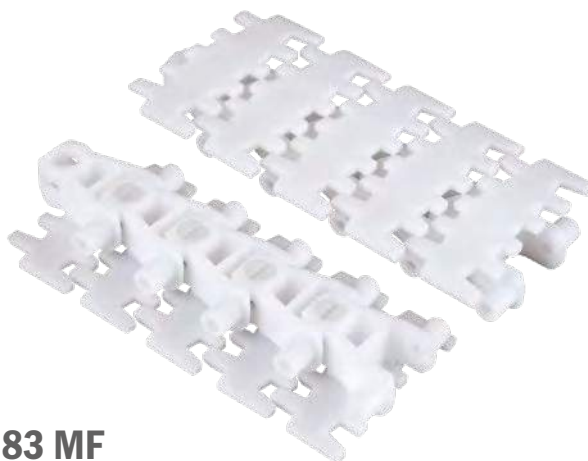
Pins: Stainless Steel | Backflex radius min.: 50 mm



43 MF



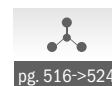
63 MF



83 MF



103 MF



Article-Nr.	Ref.	W (Plate Width) mm	A mm	B mm	Weight kg/m	Pitch	Radius min.	Links	Max working load N	Material
12010400	43 MF	43	8	37	0,60	25,4	140	3.048 (120 links)	2100	LFN
12010401	63 MF	63	8	37	0,80	25,4	150	3.048 (120 links)		
12010402	83 MF	83	12	58	1,70	33,5	160	3.015 (90 links)		
12010403	103 MF	103	12	75	2,00	33,5	170	3.015 (90 links)		

83 M-140 M

Catene in plastica / Plastic chains / Scharnierbandketten aus Kunststoff

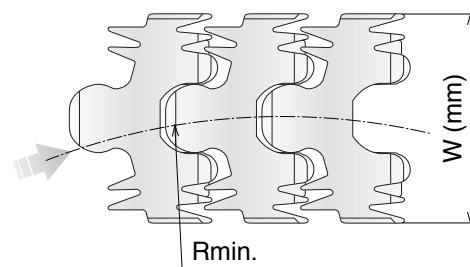
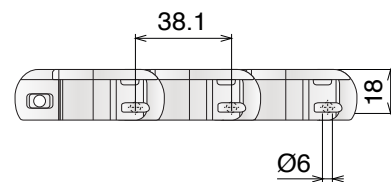
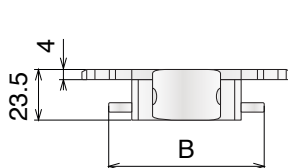
83 M-140 M

Catena curvilinea
Sideflexing chain / Kurvengängige Scharnierbandkette

Pins: Stainless Steel



83 M



140 M

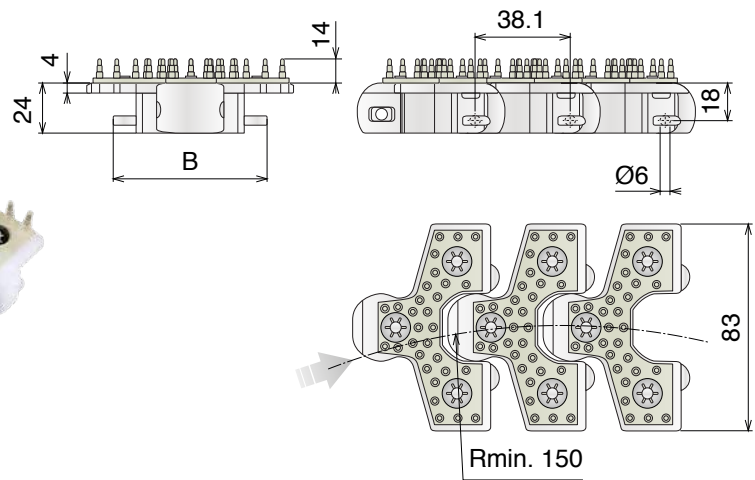


Article-Nr.	Ref.	W (Plate Width) mm	B mm	Weight kg/m	Pitch	Radius min.	Max working load N	Material
12020402	83 M	83	63	1,35	38,1	150	2100	LFN
12020404	140 M	140	63	2,10	38,1	250		

83 M/PU

Catena curvilinea
Sideflexing chain / Kurvengängige Scharnierbandkette

Pins: Stainless Steel



10 feet 3.048 m		
80 links	pg. 105	pg. 516->524

Article-Nr.	Ref.	Plate Width mm	B mm	Weight kg/m	Pitch	Radius min.	Max working load N	Material
12030402	83 M/PU	83	63	0,80	38,1	150	2100	LFN

Molded Sprockets IMPROVED VERSION



Improved strenght

+30%

New color

The sprocket becomes black.

Superior engagement

A new design improves interaction between chain-sprocket.

**Improved Design
and Performance**

Ingranaggi

L'ingranaggio è uno dei più importanti componenti di un impianto di trasporto. Una ruota ben disegnata assicura una migliore performance e una maggior durata del trasportatore. Offriamo una vasta gamma di ruote fresate e stampate per soddisfare ogni necessità applicativa.

Gli ingranaggi Movex nascono da anni di esperienza specifica ed offriamo la più avanzata soluzione:

1. Tutte le ruote sono concepite in due pezzi per un più facile montaggio/smontaggio sull'albero.
2. Tutte le superfici sono lisce per prevenire qualsiasi deposito.
3. I nostri ingranaggi sono ottenuti dal miglior poliammide per assicurare la più lunga durata e resistenza all'usura.
4. Il profilo del dente è specificamente disegnato per offrire la maggior superficie di contatto con la catena e/o il tappeto riducendo la forza esercitata su ciascun dente consentendo una vita più lunga dell'ingranaggio. Il design è sviluppato inoltre tenendo conto dell'allungamento naturale di catena/tappeto, garantendo agli stessi di performare senza problemi entro la soglia di tolleranza dell'allungamento.
5. Le viti in acciaio inossidabile vengono accoppiate con dadi autobloccanti e/o inserti nichelati per consentire un più facile smontaggio/riasseblaggio anche dopo un lungo periodo dall'installazione.

Sprockets

The sprocket is one of the most important parts of a conveyor. A well designed sprocket will ensure that the conveyor runs smoothly and efficiently for a long time. We have a wide variety of machined and molded sprockets to cover all application needs. Movex Sprockets are designed based on many years of experience to provide you the ultimate solution.

1. All our sprockets are designed split so that it can be installed and uninstalled from the shaft easily.
2. All surfaces and edges from the sprockets are smooth to prevent dirt depositing easily. This makes cleaning easier, maintaining a high hygiene standard.
3. Our sprockets are produced from the best polyamide material to ensure longer wear life.
4. The sprocket teeth are uniquely designed to provide maximum contact surface with the chain henceforth giving lowest applied force per tooth. This ensures longer wear life for the sprocket. In addition the sprockets are designed in such a way that chain elongation tolerances can be absorbed. This will assure a life-long positive engagement between chain and sprocket.
5. Bolts used to assemble the sprockets are paired with nickel or zinc plated steel nuts to ensure easy removal.

Kettenräder

Das Kettenrad ist eines der wichtigsten Komponenten in Transportanlagen. Ein intelligentes Design gewährleistet einen ruhigen Lauf und Effizienz für einen langen Zeitraum. Wir bieten ein umfangreiches Programm in gefräster oder gespritzter Ausführung um Ihren Anforderungen gerecht zu werden.

Movex Kettenräder basieren auf jahrelangen Erfahrungen aus verschiedenen Industrien und vereinigen diese Erkenntnisse in einem innovativen Design.

1. Alle unsere Kettenräder sind zweigeteilt, d.h. einfache Montage und Demontage ohne großen Zeitaufwand.
2. Alle Oberflächen sind glatt um Schmutzablagerungen zu vermeiden dies erleichtert eine schnelle und einfache Reinigung.
3. Die Auswahl der Materialien bietet eine lange Lebensdauer.
4. Die Zahnform ist so gewählt, dass maximale Kontaktfläche mit der Kette / Mattenkette erreicht wird. Dies ermöglicht eine lange Lebensdauer des Kettenrades und der Kette. Das Kettenraddesign ermöglicht die Kompensation einer gewissen Kettenlängung.
5. Schrauben aus Edelstahl verbunden mit einer selbstsichernden Mutter aus vernickeltem Stahl. Damit lassen sich die Räder auch noch nach Jahren problemlos demontieren.

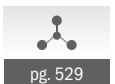
18



Chain sprockets

815 Pag 82	815 Pag 82	815 Pag 83	815 Pag 83	881 Pag 84	881 Pag 84
881 Pag 85	881 Pag 85	805-821 Pag 86	805-821 Pag 86	8157 Pag 87	8157 Pag 87
820 Pag 88	820 Pag 88	820 Pag 89	820 Pag 89	831 Pag 90	831 Pag 90
831 Pag 91	831 Pag 91	880 Pag 92	880 Pag 92	880 Pag 93	880 Pag 93
882 Pag 94	882 Pag 94	882 Pag 95	882 Pag 95	512 Pag 96	512 Pag 96
815 Pag 97	8157 Pag 97	805 Pag 98	820 Pag 98	512 Pag 99	815 MINI Pag 100
815 MINI Pag 100	CC 600 Pag 101	CC 1400 Pag 101	1701-1706-765 Pag 102	1701-1706-765 Pag 102	43 MF-63 MF Pag 103
103 MF Pag 103	83 MF Pag 104	83 MF Pag 104	83 M-83 M/PU 140 M Pag 105	83 M-83 M/PU 140 M Pag 105	TURNING DISK Pag 106

Info
Material:



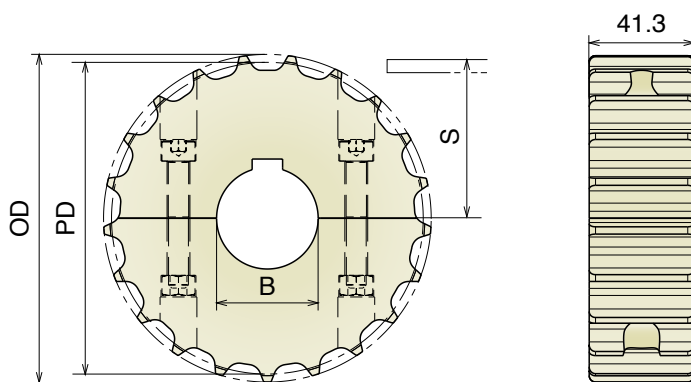
pg. 529

815

Ruota traino divisa, fresata

Split drive sprocket, machined / geteiltes Antriebskettenrad gefräst

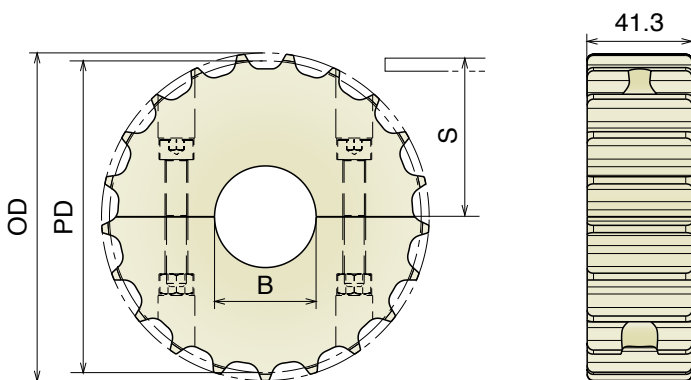
Delivery: **Easy** **Standard** Used also for Series 881 M



Part	Article-Nr.	Z-	Bore	PD	OD	S
501	50101	17	25	105,5	103,9	55,9
501	50102		30			
501	50103		35			
501	50104		40			
502	50201	19	25	117,3	117,0	61,9
502	50202		30			
502	50203		35			
502	50204		40			
503	50301	21	25	129,3	129,0	67,8
503	50302		30			
503	50303		35			
503	50304		40			
504	50401	23	25	141,2	142,0	73,8
504	50402		30			
504	50403		35			
504	50404		40			
505	50501	25	25	153,2	154,0	79,8
505	50502		30			
505	50503		35			
505	50504		40			
506	50601	27	25	165,2	166,8	85,8
506	50602		30			
506	50603		35			
506	50604		40			
507	50701	29	25	177,2	178,5	91,8
507	50702		30			
507	50703		35			
507	50704		40			

Ruota rinvio divisa, fresata

Split idler sprocket, machined / geteiltes Umlenrad, gefräst



Part	Article-Nr.	Z-	Bore	PD	OD	S
501	50150	17	18*	105,5	103,9	55,9
501	50151		25			
501	50152		30			
501	50153		35			
501	50154		40			
502	50250	19	18*	117,3	117,0	61,9
502	50251		25			
502	50252		30			
502	50253		35			
502	50254		40			
503	50350	21	18*	129,3	129,0	67,8
503	50351		25			
503	50352		30			
503	50353		35			
503	50354		40			
504	50450	23	18*	141,2	142,0	73,8
504	50451		25			
504	50452		30			
504	50453		35			
504	50454		40			
505	50550	25	18*	153,2	154,0	79,8
505	50551		25			
505	50552		30			
505	50553		35			
505	50554		40			
506	50650	27	18*	165,2	166,8	85,8
506	50651		25			
506	50652		30			
506	50653		35			
506	50654		40			
507	50750	29	18*	177,2	178,5	91,8
507	50751		25			
507	50752		30			
507	50753		35			
507	50754		40			

*Plain Bore

Materiale / Material / Materialien:

Poliamide rinforzato/Polyamide reinforced/Verstärktes Polyamid
 Viti: Acciaio inox/Screws: Stainless steel/Schrauben: Edelstahl
 Dadi: Ottone nichelato/Nuts: Nickel plated brass/Mutter: Messing

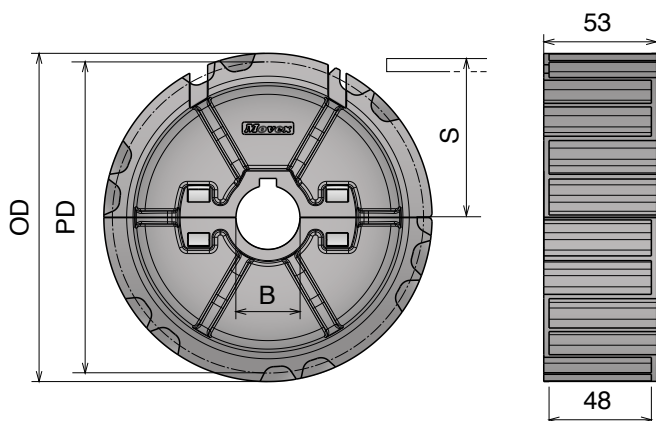
815

Ruota traino divisa, stampata

Split drive sprocket, molded / geteiltes Antriebskettenrad, gespritzt

Delivery: **Easy** **Standard** Used also for Series 881 M

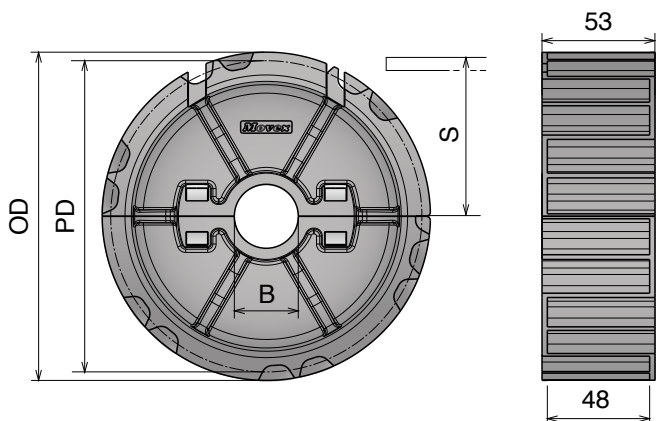
Part	Article-Nr.	Z-	Bore	PD	OD	S
508	50801	21	25	129,3	129,0	67,8
508	50802		30			
508	50803		35			
508	50804		40			
509	50901	23	25	141,2	142,0	73,8
509	50902		30			
509	50903		35			
509	50904		40			
510	51001	25	25	153,2	154,0	79,8
510	51002		30			
510	51003		35			
510	51004		40			



**Improved Design
and Performance**

Ruota rinvio divisa, stampata

Split idler sprocket, molded / geteiltes Umlenkrad, gespritzt

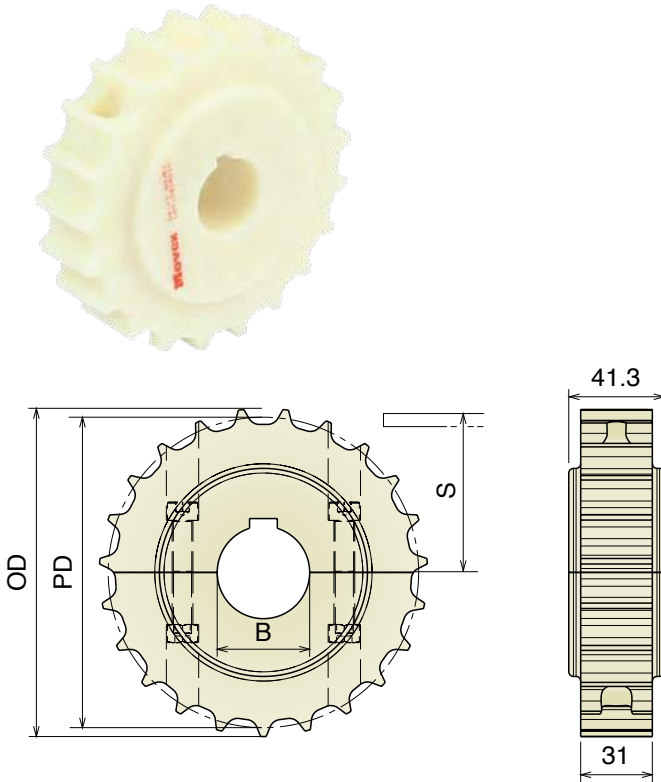


Part	Article-Nr.	Z-	Bore	PD	OD	S
508	50851	21	25	129,3	129,0	67,8
508	50852		30			
508	50853		35			
508	50854		40			
509	50951	23	25	141,2	142,0	73,8
509	50952		30			
509	50953		35			
509	50954		40			
510	51051	25	25	153,2	154,0	79,8
510	51052		30			
510	51053		35			
510	51054		40			

**Improved Design
and Performance**

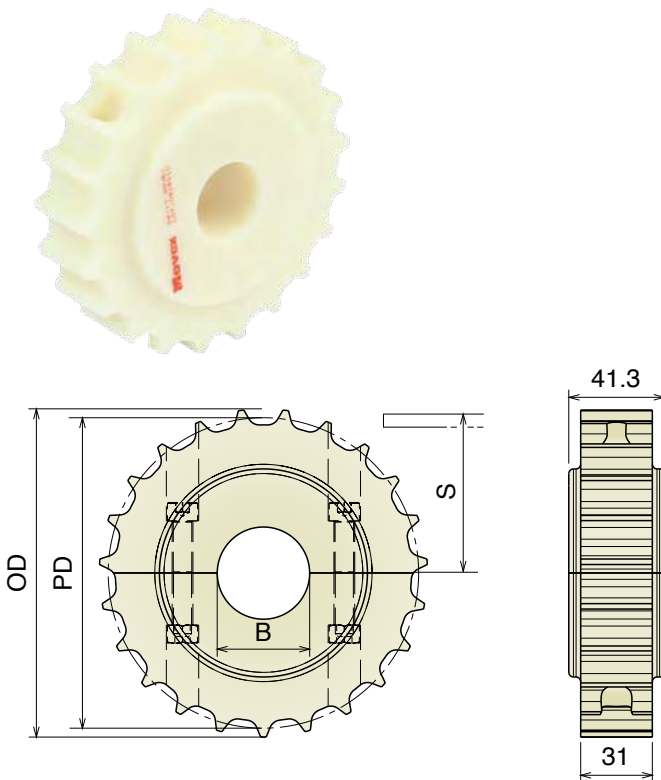
881 Ruota traino divisa, fresata Split drive sprocket, machined / geteiltes Antriebskettenrad gefräst

Used for Series 881 B and 881 TAB



Part	Article-Nr.	Z	Bore	PD	OD	S
511	51101	17	25	105,5	103,9	55,9
511	51102		30			
511	51103		35			
511	51104		40			
512	51201	19	25	117,3	117,0	61,9
512	51202		30			
512	51203		35			
512	51204		40			
513	51301	21	25	129,3	129,0	67,8
513	51302		30			
513	51303		35			
513	51304		40			
514	51401	23	25	141,2	142,0	73,8
514	51402		30			
514	51403		35			
514	51404		40			
515	51501	25	25	153,2	154,0	79,8
515	51502		30			
515	51503		35			
515	51504		40			
516	51601	27	25	165,2	166,8	85,8
516	51602		30			
516	51603		35			
516	51604		40			
517	51701	29	25	177,2	178,5	91,8
517	51702		30			
517	51703		35			
517	51704		40			

Ruota rinvio divisa, fresata Split idler sprocket, machined / geteiltes Umlenrad, gefräst



Part	Article-Nr.	Z	Bore	PD	OD	S
511	51150	17	18*	105,5	103,9	55,9
511	51151		25			
511	51152		30			
511	51153		35			
511	51154		40			
512	51250	19	18*	117,3	117,0	61,9
512	51251		25			
512	51252		30			
512	51253		35			
512	51254		40			
513	51350	21	18*	129,3	129,0	67,8
513	51351		25			
513	51352		30			
513	51353		35			
513	51354		40			
514	51450	23	18*	141,2	142,0	73,8
514	51451		25			
514	51452		30			
514	51453		35			
514	51454		40			
515	51550	25	18*	153,2	154,0	79,8
515	51551		25			
515	51552		30			
515	51553		35			
515	51554		40			
516	51650	27	18*	165,2	166,8	85,8
516	51651		25			
516	51652		30			
516	51653		35			
516	51654		40			
517	51750	29	18*	177,2	178,5	91,8
517	51751		25			
517	51752		30			
517	51753		35			
517	51754		40			

*Plain Bore

Materiale / Material / Materialien:

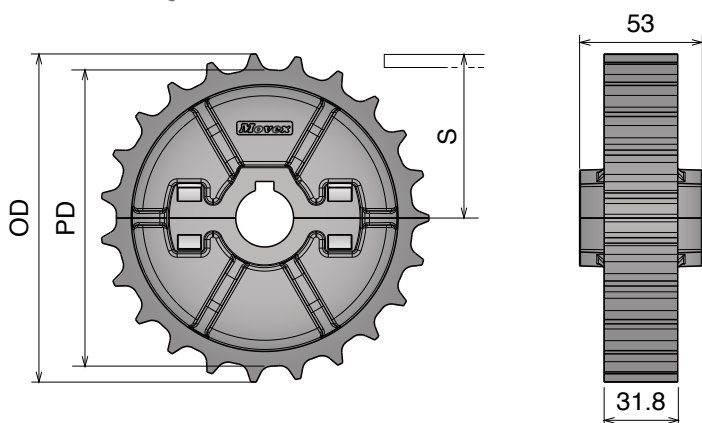
Poliamide rinforzato/Polyamide reinforced/Verstärktes Polyamid
 Viti: Acciaio inox/Screws: Stainless steel/Schrauben: Edelstahl
 Dadi: Ottone nichelato/Nuts: Nickel plated brass/Mutter: Messing

881

Ruota traino divisa, stampata
Split drive sprocket, molded / geteiltes Antriebskettenrad, gespritzt

Used for Series 881 B and 881 TAB

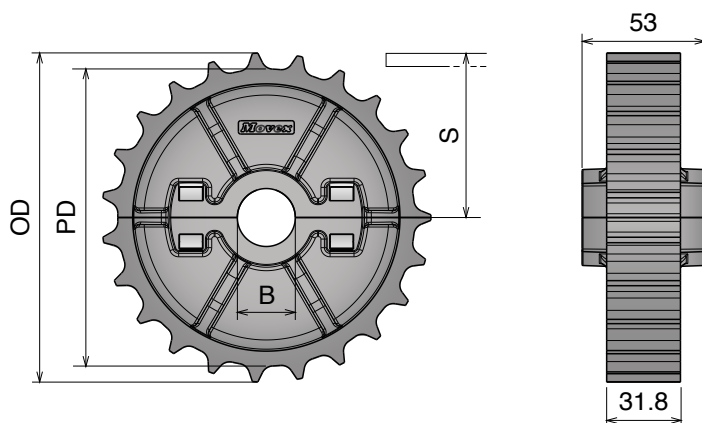
Part	Article-Nr.	Z-	Bore	PD	OD	S
518	51801	21	25	129,3	129,0	67,8
518	51802		30			
518	51803		35			
518	51804		40			
519	51901	23	25	141,2	142,0	73,8
519	51902		30			
519	51903		35			
519	51904		40			
520	52001	25	25	153,2	154,0	79,8
520	52002		30			
520	52003		35			
520	52004		40			



**Improved Design
and Performance**

Ruota rinvio divisa, stampata
Split idler sprocket, molded / geteiltes Umlenkrad, gespritzt

Part	Article-Nr.	Z-	Bore	PD	OD	S
518	51851	21	25	129,3	129,0	67,8
518	51852		30			
518	51853		35			
518	51854		40			
519	51951	23	25	141,2	142,0	73,8
519	51952		30			
519	51953		35			
519	51954		40			
520	52051	25	25	153,2	154,0	79,8
520	52052		30			
520	52053		35			
520	52054		40			



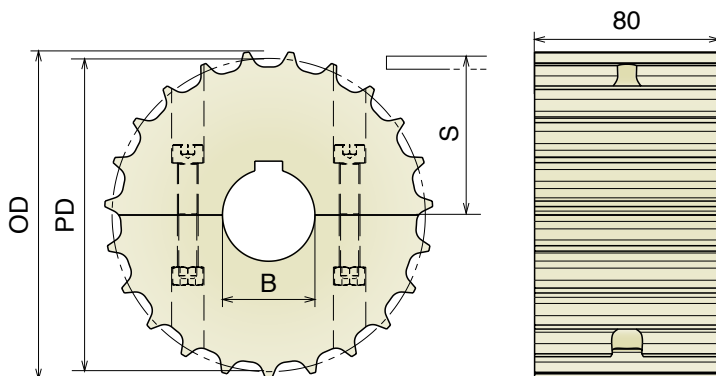
**Improved Design
and Performance**

805-821

Ruota traino divisa, fresata

Split drive sprocket, machined / geteiltes Antriebskettenrad gefräst

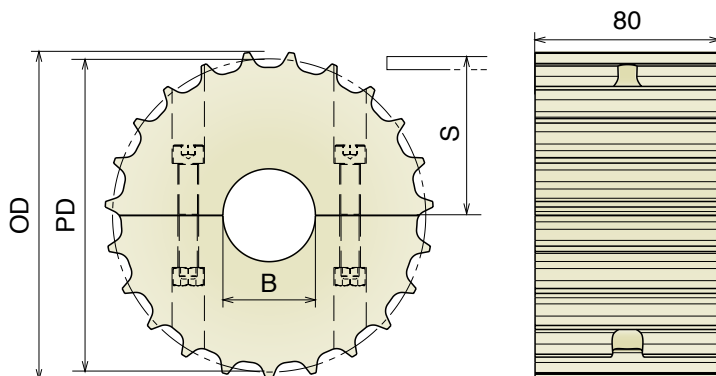
Delivery: **Easy** **Standard**



Part	Article-Nr.	Z	Bore	PD	OD	S
521	52101	17	25	105,5	103,9	55,9
521	52102		30			
521	52103		35			
521	52104		40			
522	52201	19	25	117,3	117,0	61,9
522	52202		30			
522	52203		35			
522	52204		40			
523	52301	21	25	129,3	129,0	67,8
523	52302		30			
523	52303		35			
523	52304		40			
524	52401	23	25	141,2	142,0	73,8
524	52402		30			
524	52403		35			
524	52404		40			
525	52501	25	25	153,2	154,0	79,8
525	52502		30			
525	52503		35			
525	52504		40			
526	52601	27	25	165,2	166,8	85,8
526	52602		30			
526	52603		35			
526	52604		40			
527	52701	29	25	177,2	178,5	91,8
527	52702		30			
527	52703		35			
527	52704		40			

Ruota rinvio divisa, fresata

Split idler sprocket, machined / geteiltes Umlenrad, gefräst



Part	Article-Nr.	Z	Bore	PD	OD	S
521	52150	17	18*	105,5	103,9	55,9
521	52151		25			
521	52152		30			
521	52153		35			
521	52154		40			
522	52250	19	18*	117,3	117,0	61,9
522	52251		25			
522	52252		30			
522	52253		35			
522	52254		40			
523	52350	21	18*	129,3	129,0	67,8
523	52351		25			
523	52352		30			
523	52353		35			
523	52354		40			
524	52450	23	18*	141,2	142,0	73,8
524	52451		25			
524	52452		30			
524	52453		35			
524	52454		40			
525	52550	25	18*	153,2	154,0	79,8
525	52551		25			
525	52552		30			
525	52553		35			
525	52554		40			
526	52650	27	18*	165,2	166,8	85,8
526	52651		25			
526	52652		30			
526	52653		35			
526	52654		40			
527	52750	29	18*	177,2	178,5	91,8
527	52751		25			
527	52752		30			
527	52753		35			
527	52754		40			

*Plain Bore

Materiale / Material / Materialien:

Poliammide/Polyamide/Polyamid

Viti: Acciaio inox/Screws: Stainless steel/Schrauben: Edelstahl

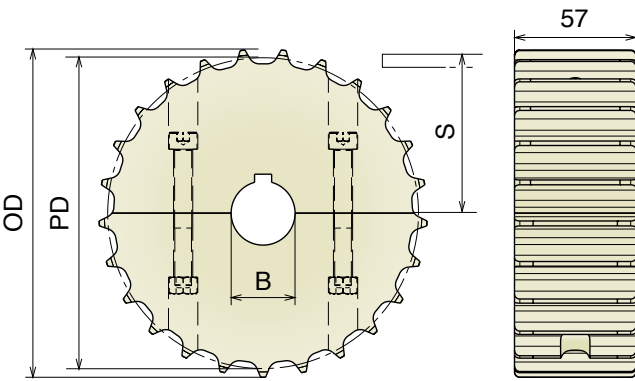
Dadi: ferro zincato/Nuts: zinc plated steel/Mutter: verzinkter Stahl

8157

Ruota traino divisa, fresata

Split drive sprocket, machined / geteiltes Antriebskettenrad gefräst

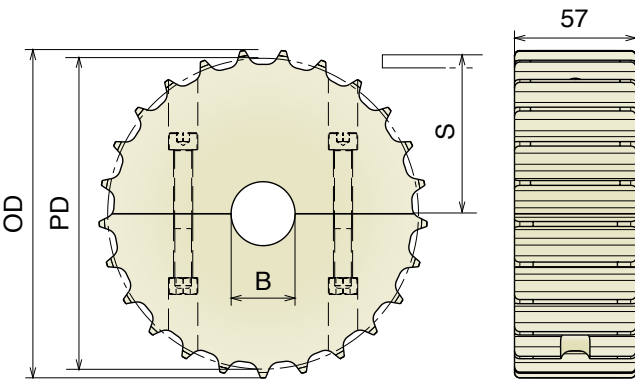
Delivery: **Easy** **Standard** Also suitable for Series 8857 M - 8857 M GT



Part	Article-Nr.	Z-	Bore	PD	OD	S
528	52801	17	25	105,5	103,9	55,9
528	52802		30			
528	52803		35			
528	52804		40			
529	52901	19	25	117,3	117,0	61,9
529	52902		30			
529	52903		35			
529	52904		40			
530	53001	21	25	129,3	129,0	67,8
530	53002		30			
530	53003		35			
530	53004		40			
531	53101	23	25	141,2	142,0	73,8
531	53102		30			
531	53103		35			
531	53104		40			
532	53201	25	25	153,2	154,0	79,8
532	53202		30			
532	53203		35			
532	53204		40			
533	53301	27	25	165,2	166,8	85,8
533	53302		30			
533	53303		35			
533	53304		40			
534	53401	29	25	177,2	178,5	91,8
534	53402		30			
534	53403		35			
534	53404		40			

Ruota rinvio divisa, fresata

Split idler sprocket, machined / geteiltes Umlenrad, gefräst

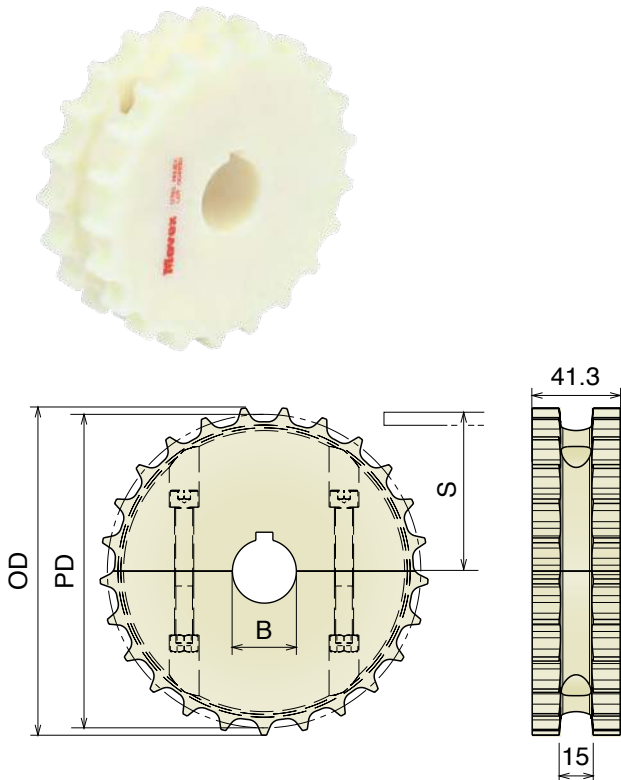


Part	Article-Nr.	Z-	Bore	PD	OD	S
528	52850	17	18*	105,5	103,9	55,9
528	52851		25			
528	52852		30			
528	52853		35			
528	52854		40			
529	52950	19	18*	117,3	117,0	61,9
529	52951		25			
529	52952		30			
529	52953		35			
529	52954		40			
530	53050	21	18*	129,3	129,0	67,8
530	53051		25			
530	53052		30			
530	53053		35			
530	53054		40			
531	53150	23	18*	141,2	142,0	73,8
531	53151		25			
531	53152		30			
531	53153		35			
531	53154		40			
532	53250	25	18*	153,2	154,0	79,8
532	53251		25			
532	53252		30			
532	53253		35			
532	53254		40			
533	53350	27	18*	165,2	166,8	85,8
533	53351		25			
533	53352		30			
533	53353		35			
533	53354		40			
534	53450	29	18*	177,2	178,5	91,8
534	53451		25			
534	53452		30			
534	53453		35			
534	53454		40			

*Plain Bore

820 Ruota traino divisa, fresata

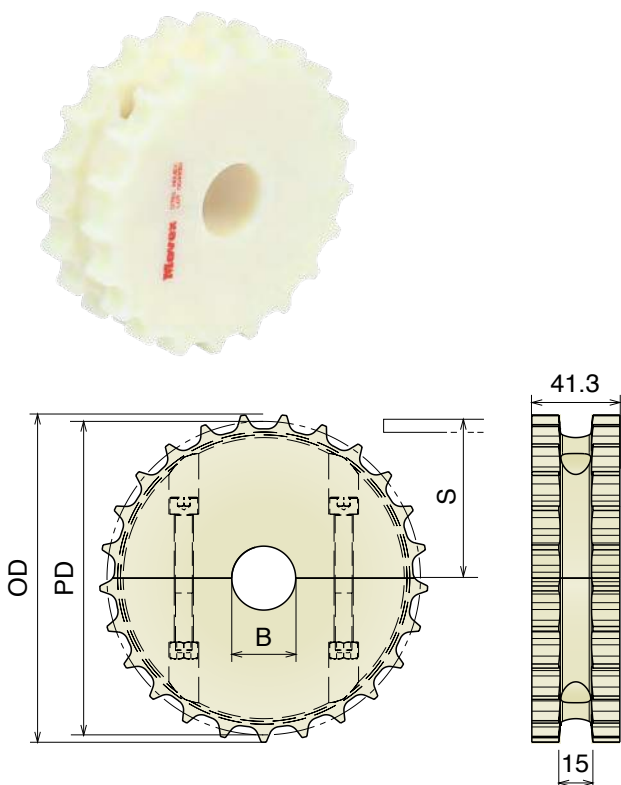
Split drive sprocket, machined / geteiltes Antriebskettenrad gefräst



Part	Article-Nr.	Z-	Bore	PD	OD	S
535	53501	17	25	105,5	103,9	55,9
535	53502		30			
535	53503		35			
535	53504		40			
536	53601	19	25	117,3	117,0	61,9
536	53602		30			
536	53603		35			
536	53604		40			
537	53701	21	25	129,3	129,0	67,8
537	53702		30			
537	53703		35			
537	53704		40			
538	53801	23	25	141,2	142,0	73,8
538	53802		30			
538	53803		35			
538	53804		40			
539	53901	25	25	153,2	154,0	79,8
539	53902		30			
539	53903		35			
539	53904		40			
540	54001	27	25	165,2	166,8	85,8
540	54002		30			
540	54003		35			
540	54004		40			
541	54101	29	25	177,2	178,5	91,8
541	54102		30			
541	54103		35			
541	54104		40			

Ruota rinvio divisa, fresata

Split idler sprocket, machined / geteiltes Umlenrad, gefräst



Part	Article-Nr.	Z-	Bore	PD	OD	S
535	53550	17	18*	105,5	103,9	55,9
535	53551		25			
535	53552		30			
535	53553		35			
535	53554		40			
536	53650	19	18*	117,3	117,0	61,9
536	53651		25			
536	53652		30			
536	53653		35			
536	53654		40			
537	53750	21	18*	129,3	129,0	67,8
537	53751		25			
537	53752		30			
537	53753		35			
537	53754		40			
538	53850	23	18*	141,2	142,0	73,8
538	53851		25			
538	53852		30			
538	53853		35			
538	53854		40			
539	53950	25	18*	153,2	154,0	79,8
539	53951		25			
539	53952		30			
539	53953		35			
539	53954		40			
540	54050	27	18*	165,2	166,8	85,8
540	54051		25			
540	54052		30			
540	54053		35			
540	54054		40			
541	54150	29	18*	177,2	178,5	91,8
541	54151		25			
541	54152		30			
541	54153		35			
541	54154		40			

*Plain Bore

Materiale / Material / Materialien:

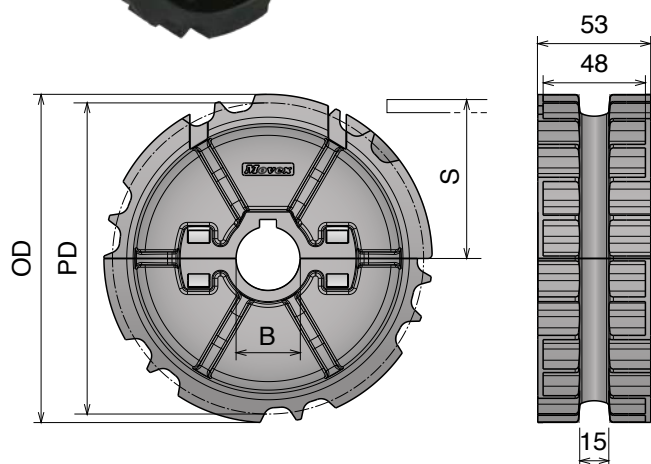
Poliamide rinforzato/Polyamide reinforced/Verstärktes Polyamid
 Viti: Acciaio inox/Screws: Stainless steel/Schrauben: Edelstahl
 Dadi: Ottone nichelato/Nuts: Nickel plated brass/Mutter: Messing

820 Ruota traino divisa, stampata

Split drive sprocket, molded / geteiltes Antriebskettenrad, gespritzt

Delivery: **Easy** Standard

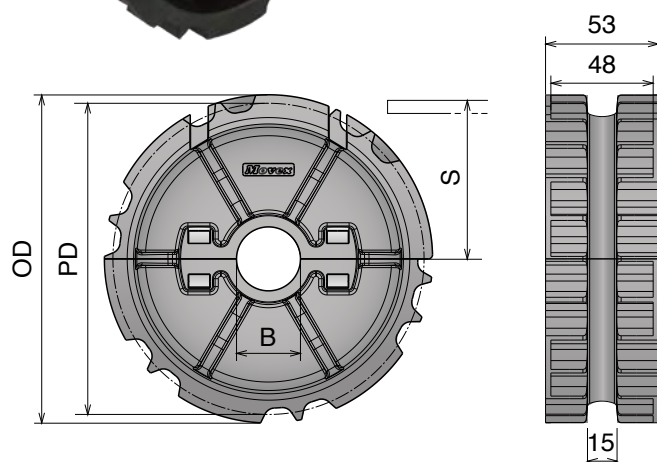
Part	Article-Nr.	Z-	Bore	PD	OD	S
542	54201	21	25	129,3	129,0	67,8
542	54202		30			
542	54203		35			
542	54204		40			
543	54301	23	25	141,2	142,0	73,8
543	54302		30			
543	54303		35			
543	54304		40			
544	54401	25	25	153,2	154,0	79,8
544	54402		30			
544	54403		35			
544	54404		40			



**Improved Design
and Performance**

Ruota rinvio divisa, stampata

Split idler sprocket, molded / geteiltes Umlenkrad, gespritzt

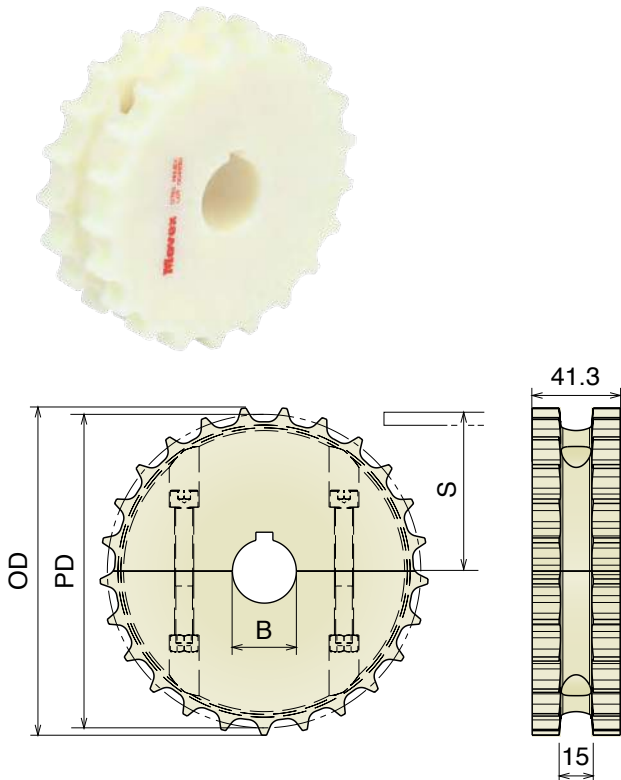


Part	Article-Nr.	Z-	Bore	PD	OD	S
542	54251	21	25	129,3	129,0	67,8
542	54252		30			
542	54253		35			
542	54254		40			
543	54351	23	25	141,2	142,0	73,8
543	54352		30			
543	54353		35			
543	54354		40			
544	54451	25	25	153,2	154,0	79,8
544	54452		30			
544	54453		35			
544	54454		40			

**Improved Design
and Performance**

831

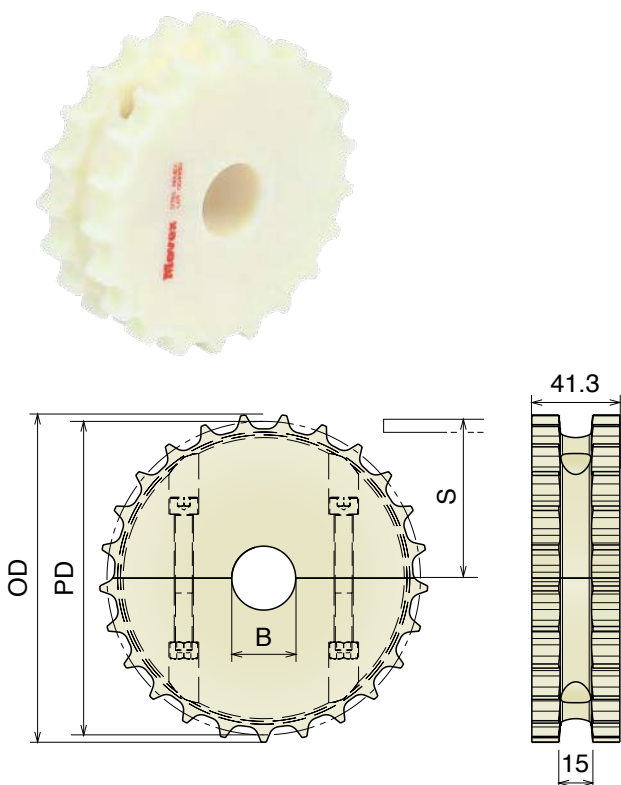
Ruota traino divisa, fresata
Split drive sprocket, machined / geteiltes Antriebskettenrad gefräst



Part	Article-Nr.	Z-	Bore	PD	OD	S
535	53501	17	25	105,5	103,9	55,1
535	53502		30			
535	53503		35			
535	53504		40			
536	53601	19	25	117,3	117,0	61,1
536	53602		30			
536	53603		35			
536	53604		40			
537	53701	21	25	129,3	129,0	67,0
537	53702		30			
537	53703		35			
537	53704		40			
538	53801	23	25	141,2	142,0	73,0
538	53802		30			
538	53803		35			
538	53804		40			
539	53901	25	25	153,2	154,0	79,8
539	53902		30			
539	53903		35			
539	53904		40			
540	54001	27	25	165,2	166,8	85,0
540	54002		30			
540	54003		35			
540	54004		40			
541	54101	29	25	177,2	178,5	91,0
541	54102		30			
541	54103		35			
541	54104		40			

Ruota rinvio divisa, fresata

Split idler sprocket, machined / geteiltes Umlenrad, gefräst



Part	Article-Nr.	Z-	Bore	PD	OD	S
535	53550	17	18*	105,5	103,9	55,1
535	53551		25			
535	53552		30			
535	53553		35			
535	53554		40			
536	53650	19	18*	117,3	117,0	61,1
536	53651		25			
536	53652		30			
536	53653		35			
536	53654		40			
537	53750	21	18*	129,3	129,0	67,0
537	53751		25			
537	53752		30			
537	53753		35			
537	53754		40			
538	53850	23	18*	141,2	142,0	73,0
538	53851		25			
538	53852		30			
538	53853		35			
538	53854		40			
539	53950	25	18*	153,2	154,0	79,0
539	53951		25			
539	53952		30			
539	53953		35			
539	53954		40			
540	54050	27	18*	165,2	166,8	85,0
540	54051		25			
540	54052		30			
540	54053		35			
540	54054		40			
541	54150	29	18*	177,2	178,5	91,0
541	54151		25			
541	54152		30			
541	54153		35			
541	54154		40			

*Plain Bore

Materiale / Material / Materialien:

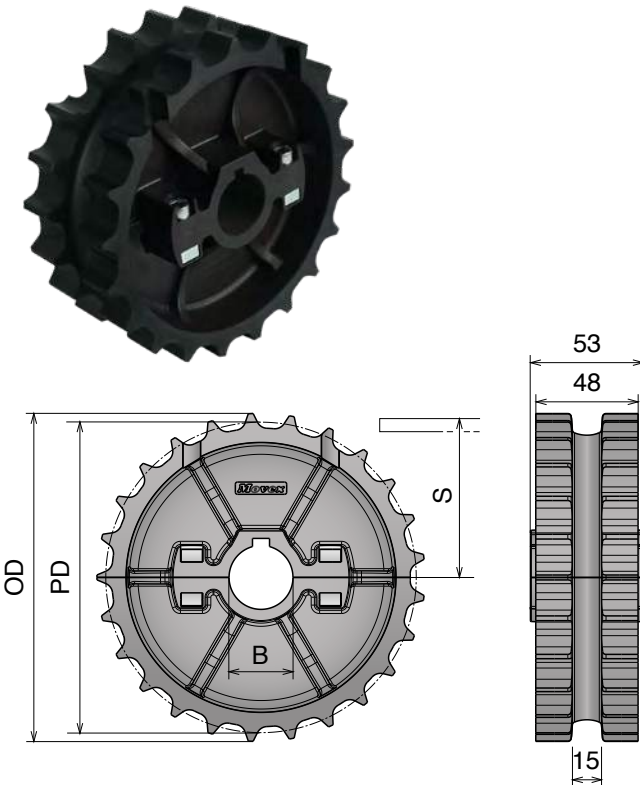
Poliamide rinforzato/Polyamide reinforced/Verstärktes Polyamid
 Viti: Acciaio inox/Screws: Stainless steel/Schrauben: Edelstahl
 Dadi: Ottone nichelato/Nuts: Nickel plated brass/Mutter: Messing

831

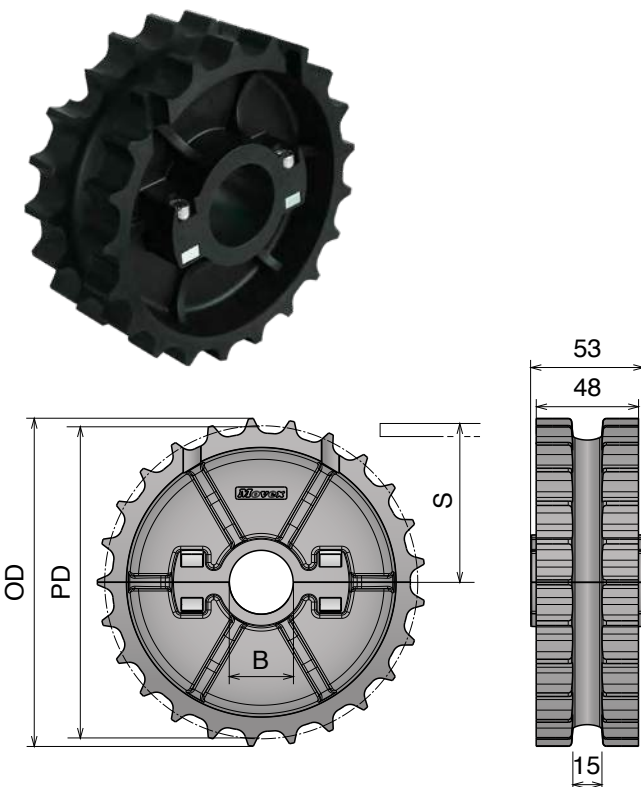
Ruota traino divisa, stampata
Split drive sprocket, molded / geteiltes Antriebskettenrad, gespritzt

New

Part	Article-Nr.	Z-	Bore	PD	OD	S
542	54201-2L	21	25	129,3	129,0	67,0
542	54202-2L		30			
542	54203-2L		35			
542	54204-2L		40			
543	54301-2L	23	25	141,2	142,0	73,0
543	54302-2L		30			
543	54303-2L		35			
543	54304-2L		40			
544	54401-2L	25	25	153,2	154,0	79,0
544	54402-2L		30			
544	54403-2L		35			
544	54404-2L		40			

**Improved Design and Performance**

Ruota rinvio divisa, stampata
Split idler sprocket, molded / geteiltes Umlenkrad, gespritzt



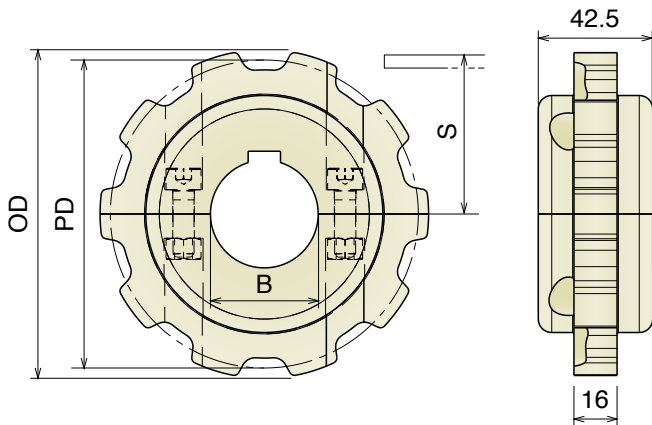
Part	Article-Nr.	Z-	Bore	PD	OD	S
542	54251-2L	21	25	129,3	129,0	67,0
542	54252-2L		30			
542	54253-2L		35			
542	54254-2L		40			
543	54351-2L	23	25	141,2	142,0	73,0
543	54352-2L		30			
543	54353-2L		35			
543	54354-2L		40			
544	54451-2L	25	25	153,2	154,0	79,0
544	54452-2L		30			
544	54453-2L		35			
544	54454-2L		40			

Improved Design and Performance

880

Ruota traino divisa, fresata

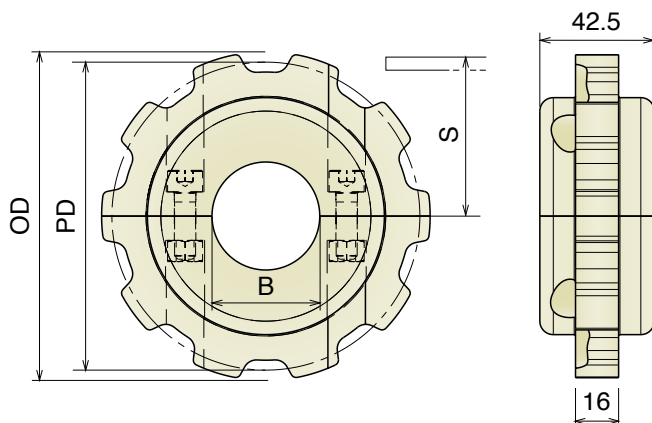
Split drive sprocket, machined / geteiltes Antriebskettenrad gefräst

Delivery: **Easy** **Standard** Also suitable for Series 828 - 878 TAB - 879 M - 879 TAB - 888 - 888 GT

Part	Article-Nr.	Z	Bore	PD	OD	S
545	54501	9	25	111,4	110,0	59,3
545	54502		30			
545	54503		35			
545	54504		40			
546	54601	10	25	123,3	122,0	65,25
546	54602		30			
546	54603		35			
546	54604		40			
547	54701	11	25	135,2	135,0	71,2
547	54702		30			
547	54703		35			
547	54704		40			
548	54801	12	25	147,2	147,3	77,2
548	54802		30			
548	54803		35			
548	54804		40			

Ruota rinvio divisa, fresata

Split idler sprocket, machined / geteiltes Umlenrad, gefräst



Part	Article-Nr.	Z	Bore	PD	OD	S
545	54550	9	18*	111,4	110,0	59,3
545	54551		25			
545	54552		30			
545	54553		35			
545	54554		40			
546	54650	10	18*	123,3	122,0	65,25
546	54651		25			
546	54652		30			
546	54653		35			
546	54654		40			
547	54750	11	18*	135,2	135,0	71,2
547	54751		25			
547	54752		30			
547	54753		35			
547	54754		40			
548	54850	12	18*	147,2	147,3	77,2
548	54851		25			
548	54852		30			
548	54853		35			
548	54854		40			

*Plain Bore

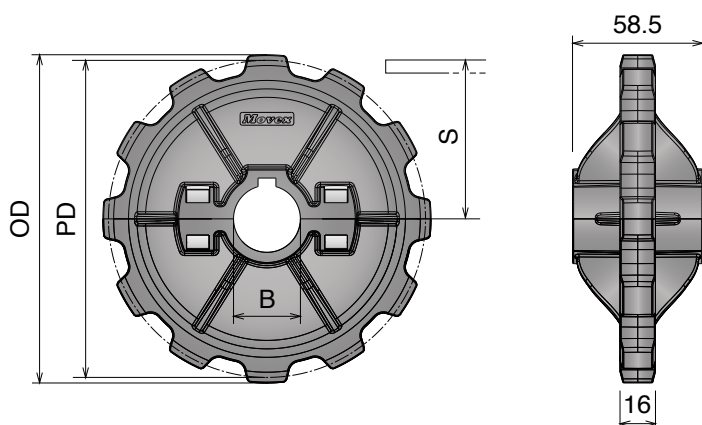
Materiale / Material / Materialien:

Poliamide rinforzato/Polyamide reinforced/Verstärktes Polyamid
 Viti: Acciaio inox/Screws: Stainless steel/Schrauben: Edelstahl
 Dadi: Ottone nichelato/Nuts: Nickel plated brass/Mutter: Messing

880 Ruota traino divisa, stampata

Split drive sprocket, molded / geteiltes Antriebskettenrad, gespritzt

Delivery:	Easy	Standard	Also suitable for Series 828 - 878 TAB - 879 M - 879 TAB - 888 - 888 GT	Part	Article-Nr.	Z-	Bore	PD	OD	S
				549	54901	10	25	123,3	122,0	65,25
				549	54902		30			
				549	54903		35			
				549	54904		40			
				550	55001	12	25	147,2	147,3	77,2
				550	55002		30			
				550	55003		35			
				550	55004		40			

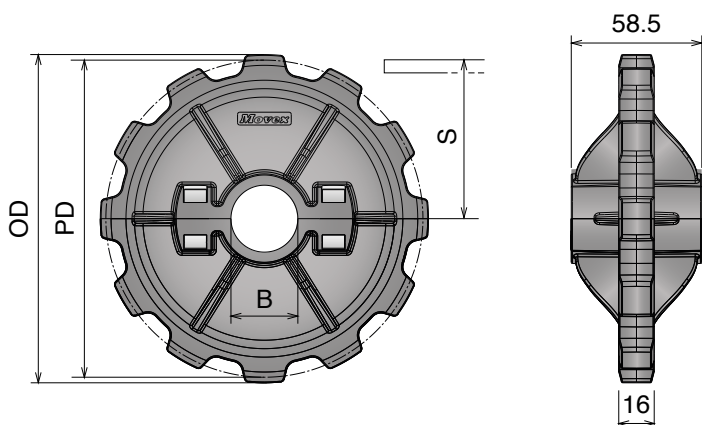


**Improved Design
and Performance**

Ruota rinvio divisa, stampata

Split idler sprocket, molded / geteiltes Umlenkrad, gespritzt

Part	Article-Nr.	Z-	Bore	PD	OD	S
549	54951	10	25	123,3	122,0	65,25
549	54952		30			
549	54953		35			
549	54954		40			
550	55051	12	25	147,2	147,3	77,2
550	55052		30			
550	55053		35			
550	55054		40			

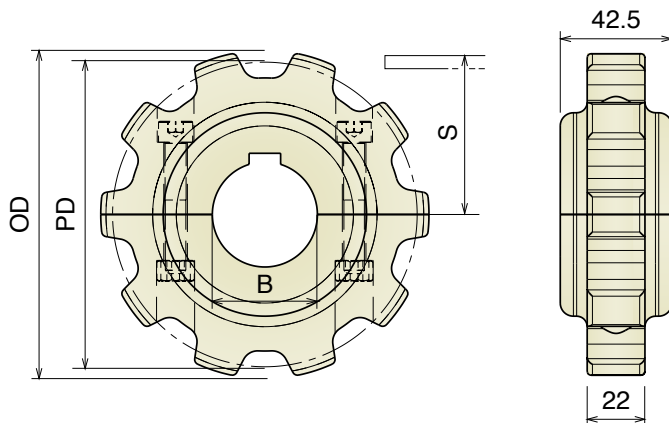


**Improved Design
and Performance**

882

Ruota traino divisa, fresata

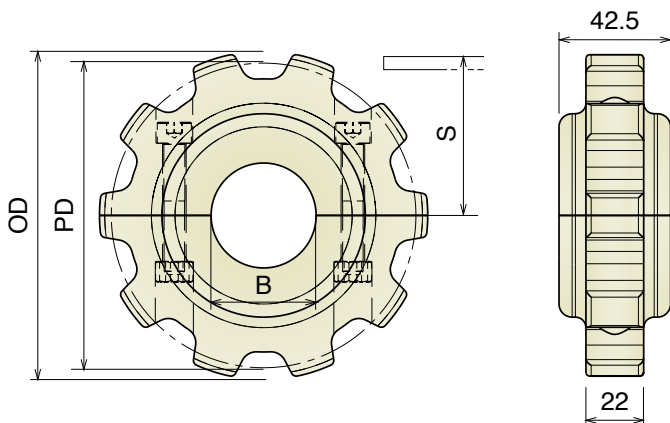
Split drive sprocket, machined / geteiltes Antriebskettenrad gefräst

Delivery: **Easy** **Standard** Also suitable for Series 8257

Part	Article-Nr.	Z	Bore	PD	OD	S
551	55101	9	25	111,4	112,0	60,5
551	55102		30			
551	55103		35			
551	55104		40			
552	55201	10	25	123,2	125,0	66,4
552	55202		30			
552	55203		35			
552	55204		40			
553	55301	11	25	135,2	137,0	72,4
553	55302		30			
553	55303		35			
553	55304		40			
554	55401	12	25	147,2	149,0	78,4
554	55402		30			
554	55403		35			
554	55404		40			

Ruota rinvio divisa, fresata

Split idler sprocket, machined / geteiltes Umlenrad, gefräst



Part	Article-Nr.	Z	Bore	PD	OD	S
551	55150	9	18*	111,4	112,0	60,5
551	55151		25			
551	55152		30			
551	55153		35			
551	55154		40			
552	55250	10	18*	123,2	125,0	66,4
552	55251		25			
552	55252		30			
552	55253		35			
552	55254		40			
553	55350	11	18*	135,2	137,0	72,4
553	55351		25			
553	55352		30			
553	55353		35			
553	55354		40			
554	55450	12	18*	147,2	149,0	78,4
554	55451		25			
554	55452		30			
554	55453		35			
554	55454		40			

*Plain Bore

Materiale / Material / Materialien:

Poliammide rinforzato/Polyamide reinforced/Verstärktes Polyamid
 Viti: Acciaio inox/Screws: Stainless steel/Schrauben: Edelstahl
 Dadi: Ottone nichelato/Nuts: Nickel plated brass/Mutter: Messing

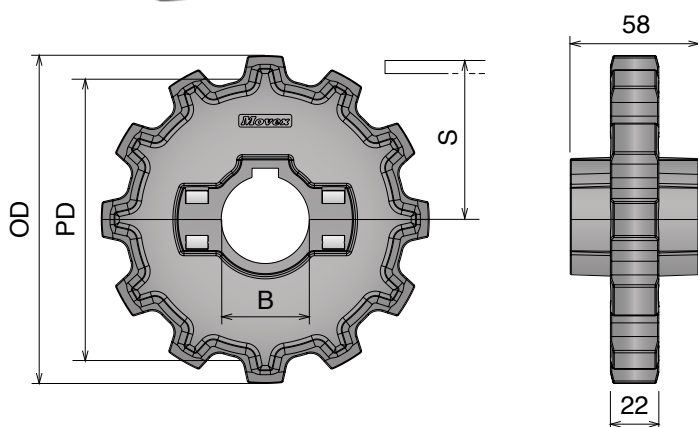
882

Ruota traino divisa, stampata

Split drive sprocket, molded / geteiltes Antriebskettenrad, gespritzt

Delivery: **Easy** **Standard** Also suitable for Series 8257

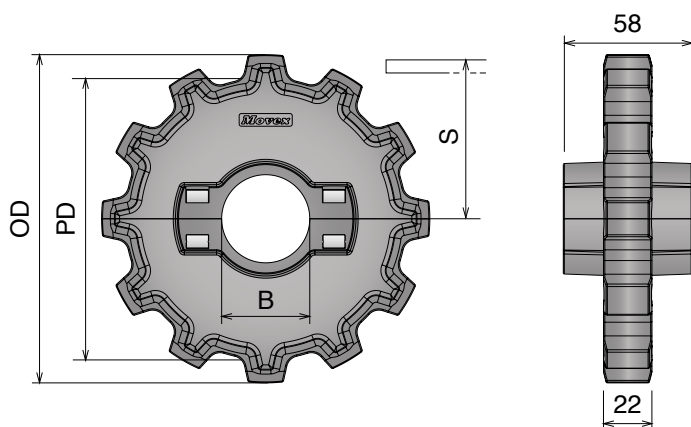
Part	Article-Nr.	Z-	Bore	PD	OD	S
556	55601	12	25	147,2	149,0	78,4
556	55602		30			
556	55603		35			
556	55604		40			



Ruota rinvio divisa, stampata

Split idler sprocket, molded / geteiltes Umlenkrad, gespritzt

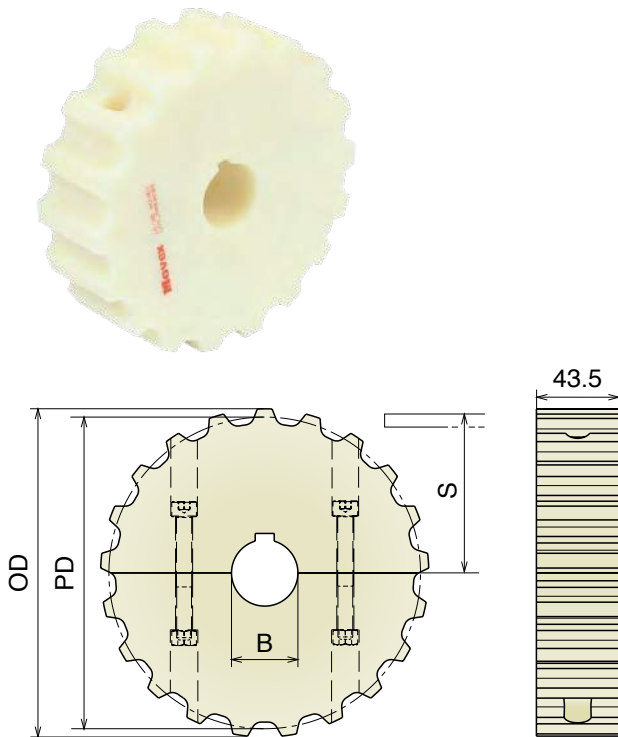
Part	Article-Nr.	Z-	Bore	PD	OD	S
556	55651	12	25	147,2	149,0	78,4
556	55652		30			
556	55653		35			
556	55654		40			



512

Ruota traino divisa, fresata

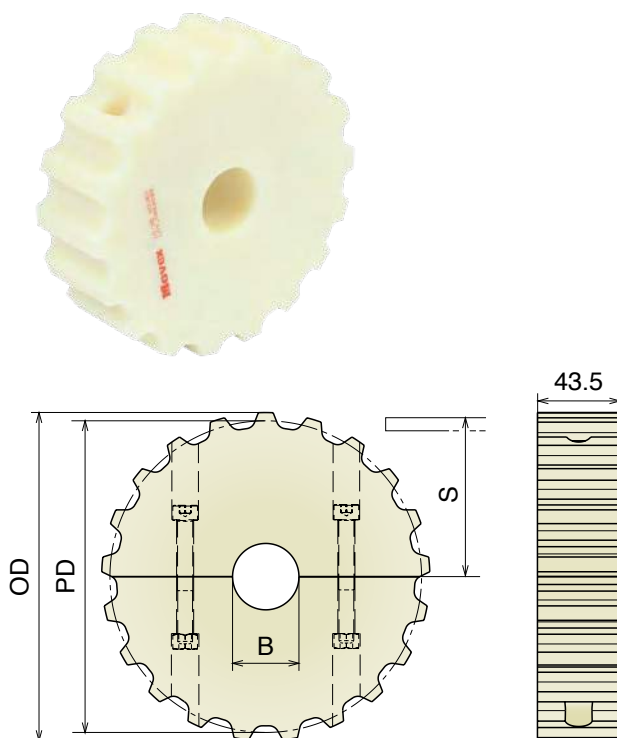
Split drive sprocket, machined / geteiltes Antriebskettenrad gefräst



Part	Article-Nr.	Z	Bore	PD	OD	S
557	55701	13	25	108,0	106,1	57,2
557	55702		30			
557	55703		35			
557	55704		40			
558	55801	15	25	124,0	122,2	65,2
558	55802		30			
558	55803		35			
558	55804		40			
559	55901	17	25	138,2	138,2	72,3
559	55902		30			
559	55903		35			
559	55904		40			
560	56001	18	25	146,3	146,4	76,4
560	56002		30			
560	56003		35			
560	56004		40			
561	56101	19	25	154,3	155,7	80,4
561	56102		30			
561	56103		35			
561	56104		40			
562	56201	21	25	170,4	173,0	88,4
562	56202		30			
562	56203		35			
562	56204		40			
563	56301	23	25	186,5	190,0	96,5
563	56302		30			
563	56303		35			
563	56304		40			
564	56401	25	25	202,7	204,0	104,6
564	56402		30			
564	56403		35			
564	56404		40			

Ruota rinvio divisa, fresata

Split idler sprocket, machined / geteiltes Umlenrad, gefräst



Part	Article-Nr.	Z	Bore	PD	OD	S
557	55750	13	18*	108,0	106,1	57,2
557	55751		25			
557	55752		30			
557	55753		35			
557	55754		40			
558	55850	15	18*	124,0	122,2	65,2
558	55851		25			
558	55852		30			
558	55853		35			
558	55854		40			
559	55950	17	18*	138,2	138,2	72,3
559	55951		25			
559	55952		30			
559	55953		35			
559	55954		40			
560	56050	18	18*	146,3	146,4	76,4
560	56051		25			
560	56052		30			
560	56053		35			
560	56054		40			
561	56150	19	18*	154,3	155,7	80,4
561	56151		25			
561	56152		30			
561	56153		35			
561	56154		40			
562	56250	21	18*	170,4	173,0	88,4
562	56251		25			
562	56252		30			
562	56253		35			
562	56254		40			
563	56350	23	18*	186,5	190,0	96,5
563	56351		25			
563	56352		30			
563	56353		35			
563	56354		40			
564	56450	25	18*	202,7	204,0	104,6
564	56451		25			
564	56452		30			
564	56453		35			
564	56454		40			

*Plain Bore

Materiale / Material / Materialien:

Poliamide/Polyamide/Polyamid

Viti: Acciaio inox/Screws: Stainless steel/Schrauben: Edelstahl

Dadi: ferro zincato/Nuts: zinc plated steel/Mutter: verzinkter Stahl

815-8157

Ruote dentate per catene / Chain sprockets / Kettenräder für Scharnierbandketten

815

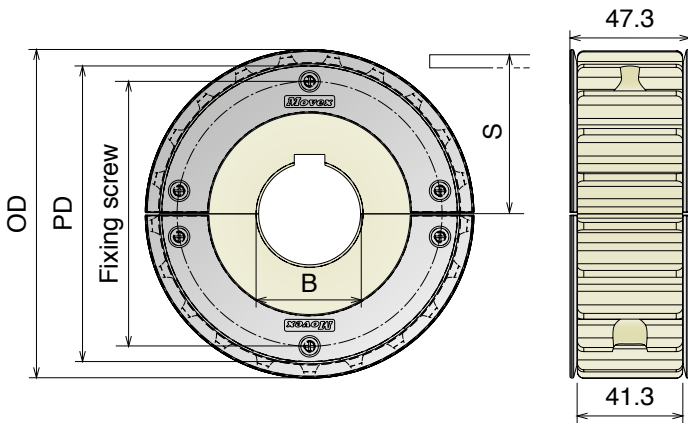
Ruota flangiata divisa, fresata

Split sprocket with guides, machined / Geteiltes Kettenrad mit Bordscheibe, gefräst

Anelli Inox / SS Guide-rings / Edelstahl Bordscheibe



Part	Article-Nr.	Z-	Bore	PD	OD	S	Ø screw
503	50301G	21	25	129,3	129,0	67,8	104,0
503	50302G		30				
503	50303G		35				
503	50304G		40				
504	50401G	23	25	141,2	142,0	73,8	116,0
504	50402G		30				
504	50403G		35				
504	50404G		40				
505	50501G	25	25	153,2	154,0	79,8	128,0
505	50502G		30				
505	50503G		35				
505	50504G		40				



8157

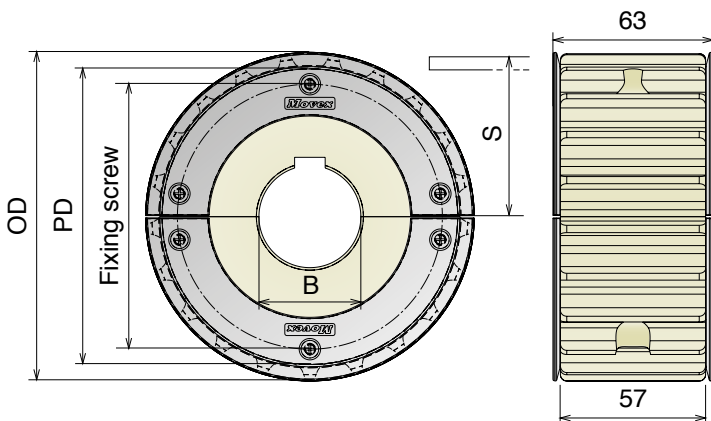
Ruota flangiata divisa, fresata

Split sprocket with guides, machined / Geteiltes Kettenrad mit Bordscheibe, gefräst

Anelli Inox / SS Guide-rings / Edelstahl Bordscheibe



Part	Article-Nr.	Z-	Bore	PD	OD	S	Ø screw
530	53001G	21	25	129,3	129,0	67,8	104,0
530	53002G		30				
530	53003G		35				
530	53004G		40				
531	53101G	23	25	141,2	142,0	73,8	116,0
531	53102G		30				
531	53103G		35				
531	53104G		40				
532	53201G	25	25	153,2	154,0	79,8	128,0
532	53202G		30				
532	53203G		35				
532	53204G		40				

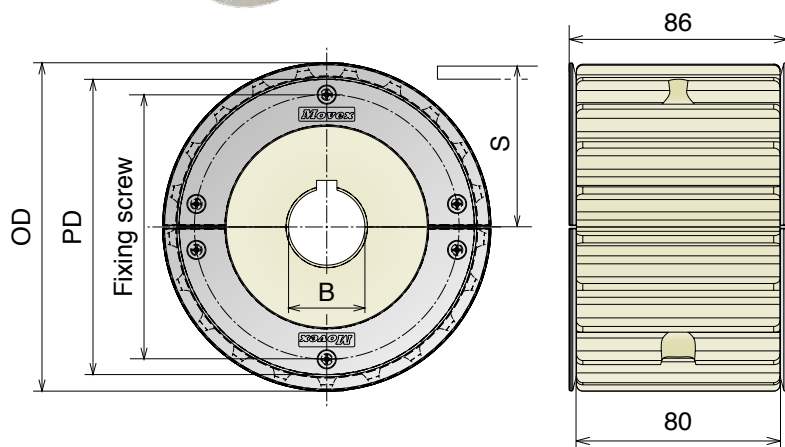


805 Ruota flangiata divisa, fresata Split sprocket with guides, machined / Geteiltes Kettenrad mit Bordscheibe, gefräst

Anelli Inox / SS Guide-rings / Edelstahl Bordscheibe



Part	Article-Nr.	Z-	Bore	PD	OD	S	Ø screw
523	52301G	21	25	129,3	129,0	67,8	104,0
523	52302G		30				
523	52303G		35				
523	52304G		40				
524	52401G	23	25	141,2	142,0	73,8	116,0
524	52402G		30				
524	52403G		35				
524	52404G		40				
525	52501G	25	25	153,2	154,0	79,8	128,0
525	52502G		30				
525	52503G		35				
525	52504G		40				

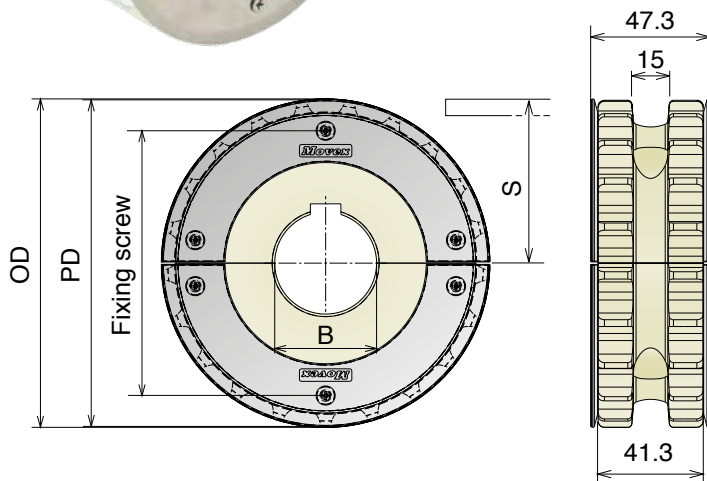


820 Ruota flangiata divisa, fresata Split sprocket with guides, machined / Geteiltes Kettenrad mit Bordscheibe, gefräst

Anelli Inox / SS Guide-rings / Edelstahl Bordscheibe



Part	Article-Nr.	Z-	Bore	PD	OD	S	Ø screw
537	53701G	21	25	129,3	129,0	67,8	104,0
537	53702G		30				
537	53703G		35				
537	53704G		40				
538	53801G	23	25	141,2	142,0	73,8	116,0
538	53802G		30				
538	53803G		35				
538	53804G		40				
539	53901G	25	25	153,2	154,0	79,8	128,0
539	53902G		30				
539	53903G		35				
539	53904G		40				



Materiale / Material / Materialien:

Poliamide/Polyamide/Polyamid

Viti: Acciaio inox/Screws: Stainless steel/Schrauben: Edelstahl

Dadi: ferro zincato/Nuts: zinc plated steel/Mutter: verzinkter Stahl

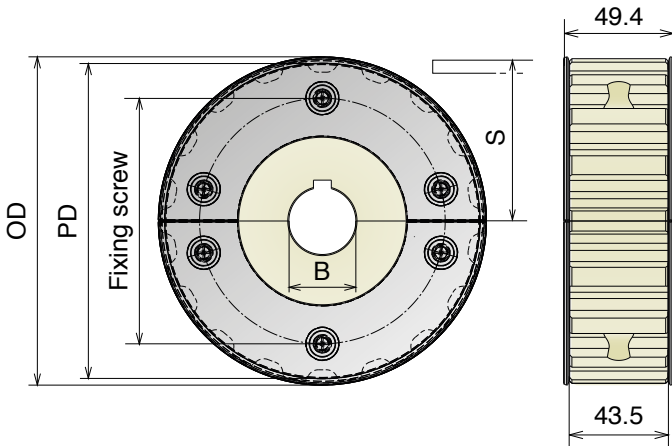
512

Ruota flangiata divisa, fresata

Split sprocket with guides, machined / Geteiltes Kettenrad mit Bordscheibe, gefräst

Anelli Inox / SS Guide-rings / Edelstahl Bordscheibe

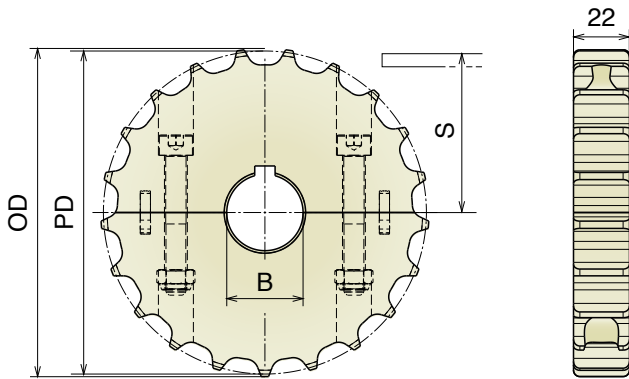
Part	Article-Nr.	Z-	Bore	PD	OD	S	Ø screw
576	57601G	18	25	146,3	147,0	76,4	110,0
576	57602G		30				
576	57603G		35				
576	57604G		40				



815 MINI

Ruota traino divisa, fresata

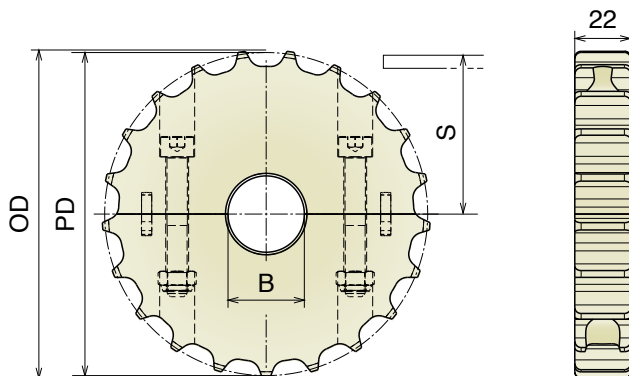
Split drive sprocket, machined / geteiltes Antriebskettenrad gefräst



Part	Article-Nr.	Z-	Bore	PD	OD	S
580	58001	19	25	117,3	117,0	61,9
580	58002		30			
580	58003		35			
580	58004		40			
581	58101	21	25	129,3	129,0	67,8
581	58102		30			
581	58103		35			
581	58104		40			
582	58201	23	25	141,2	142,0	73,8
582	58202		30			
582	58203		35			
582	58204		40			
583	58301	25	25	153,2	154,0	79,8
583	58302		30			
583	58303		35			
583	58304		40			

Ruota rinvio divisa, fresata

Split idler sprocket, machined / geteiltes Umlenrad, gefräst



Part	Article-Nr.	Z-	Bore	PD	OD	S
580	58050	19	18*	117,3	117,0	61,9
580	58051		25			
580	58052		30			
580	58053		35			
580	58054		40			
581	58150	21	18*	129,3	129,0	67,8
581	58151		25			
581	58152		30			
581	58153		35			
581	58154		40			
582	58250	23	18*	141,2	142,0	73,8
582	58251		25			
582	58252		30			
582	58253		35			
582	58254		40			
583	58350	25	18*	153,2	154,0	79,8
583	58351		25			
583	58352		30			
583	58353		35			
583	58354		40			

*Plain Bore

Materiale / Material / Materialien:

Poliamide/Polyamide/Polyamid

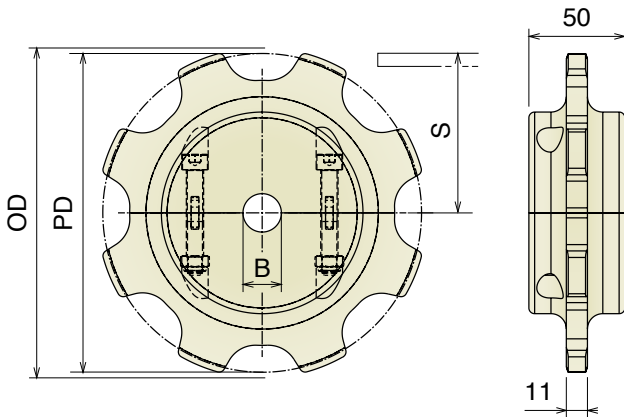
Viti: Acciaio inox/Screws: Stainless steel/Schrauben: Edelstahl

Dadi: ferro zincato/Nuts: zinc plated steel/Mutter: verzinkter Stahl

CC 600 Ruota rinvio divisa, fresata Split idler sprocket, machined / geteiltes Umlenkrad, gefräst

For adequate quantities these sprockets can be delivered with finished bore.

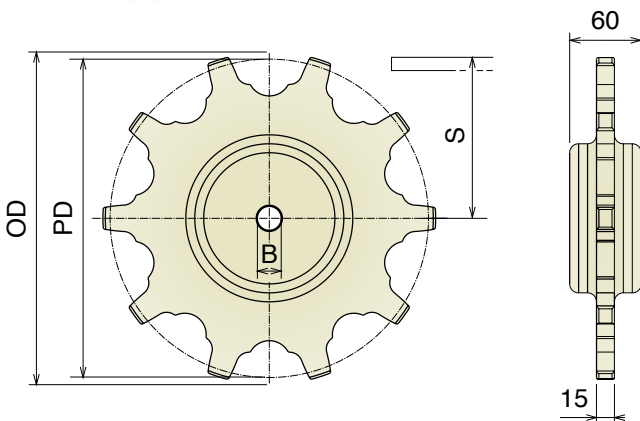
Part	Article-Nr.	Z-	Bore	PD	OD
565	56550	8	20	166,0	172,0
566	56650	10	20	205,0	215,0
567	56750	12	20	246,0	256,0
568	56850	14	20	286,0	297,0



CC 1400 Ruota rinvio, fresata Idler sprocket, machined / Umlenkrad, gefräst

For adequate quantities these sprockets can be delivered with finished bore.

Part	Article-Nr.	Z-	Bore	PD	OD
570	57050E	7	20	190,0	202,0
571	57150E	8	20	218,0	227,6
572	57250E	10	20	267,0	279,0



1701-1706-765 NO GAP

Ruote dentate per catene / Chain sprockets / Kettenräder für Scharnierbandketten

Materiali / Material / Materialien:

Poliammide/Polyamide/Polyamid

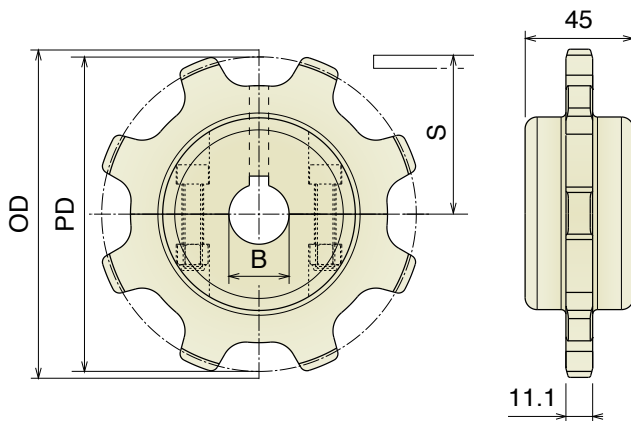
Viti: Acciaio inox/Screws: Stainless steel/Schrauben: Edelstahl

Dadi: ferro zincato/Nuts: zinc plated steel/Mutter: verzinkter Stahl

1701-1706-765 NO GAP

Ruota traino divisa, fresata

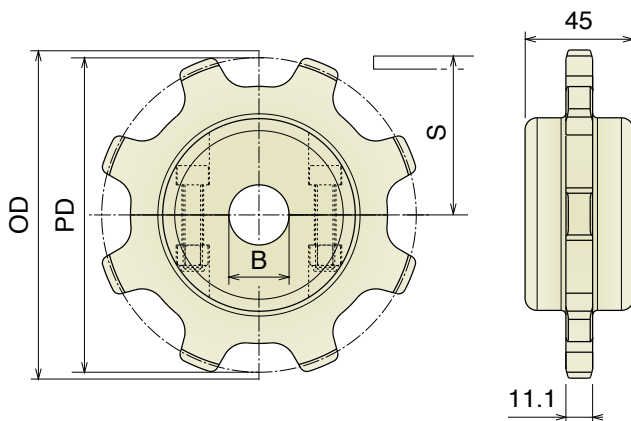
Split drive sprocket, machined / geteiltes Antriebskettenrad gefräst



Part	Article-Nr.	Z-	Bore	PD	OD	S
573	57301	8	25	130,7	136,3	53,0
573	57302		30			
573	57303		35			
573	57304		40			
574	57401	10	25	161,8	165,1	69,0
574	57402		30			
574	57403		35			
574	57404		40			
575	57501	13	25	208,9	215,0	93,5
575	57502		30			
575	57503		35			
575	57504		40			

Ruota rinvio divisa, fresata

Split idler sprocket, machined / geteiltes Umlenrad, gefräst



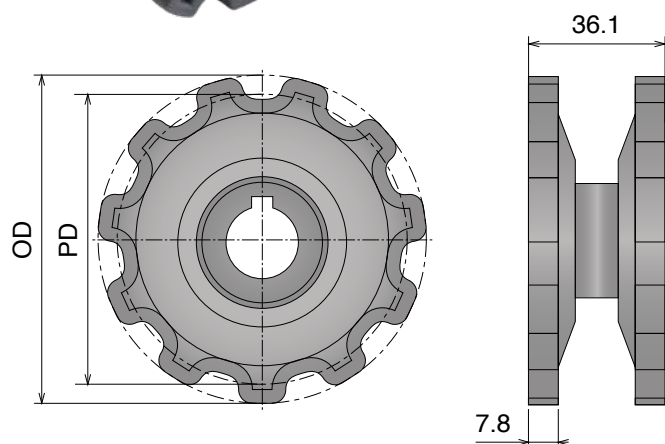
Part	Article-Nr.	Z-	Bore	PD	OD	S
573	57350	8	18*	130,7	136,3	53,0
573	57351		25			
573	57352		30			
573	57353		35			
573	57354		40			
574	57450	10	18*	161,8	165,1	69,0
574	57451		25			
574	57452		30			
574	57453		35			
574	57454		40			
575	57550	13	18*	208,9	215,0	93,5
575	57551		25			
575	57552		30			
575	57553		35			
575	57554		40			

*Plain Bore

43 MF-63 MF

Ruota traino, stampata
 Drive sprocket, molded / Antriebskettenrad, gespritzt

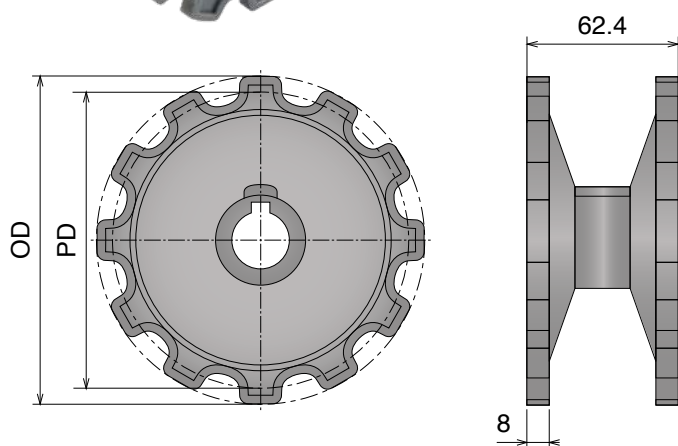
Part	Article-Nr.	Z-	Bore	PD	OD
586	58600	11	20	90,2	94,5



103 MF

Ruota traino, stampata
 Drive sprocket, molded / Antriebskettenrad, gespritzt

Part	Article-Nr.	Z-	Bore	PD	OD
587	58701	12	25	129,4	144,5

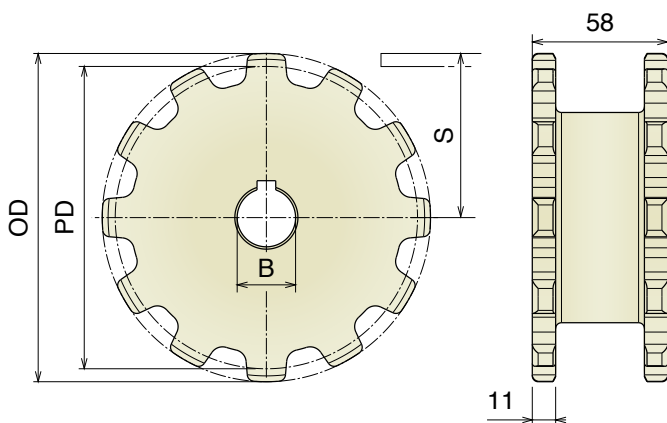


83 MF

Ruota traino divisa, fresata

Split drive sprocket, machined / geteiltes Antriebskettenrad gefräst

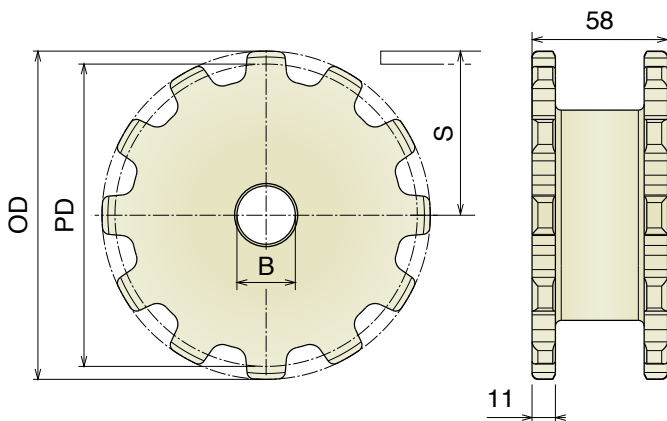
New



Part	Article-Nr.	Z	Bore	PD	OD	S
589	58901	9	25	97,9	108,0	68,5
589	58902		30			
589	58903		35			
589	58904		40			
588	58801	12	25	129,4	140,0	85,15
588	58802		30			
588	58803		35			
588	58804		40			

Ruota rinvio divisa, fresata

Split idler sprocket, machined / geteiltes Umlenrad, gefräst



Part	Article-Nr.	Z	Bore	PD	OD	S
589	58950	9	18*	97,9	108	68,5
589	58951		25			
589	58952		30			
589	58953		35			
589	58954		40			
588	58850	12	18*	129,4	140,0	85,15
588	58851		25			
588	58852		30			
588	58853		35			
588	58854		40			

*Plain Bore

Materiale / Material / Materialien:

Poliamide/Polyamide/Polyamid

Viti: Acciaio inox/Screws: Stainless steel/Schrauben: Edelstahl

Dadi: ferro zincato/Nuts: zinc plated steel/Mutter: verzinkter Stahl

83 M-83 M/PU-140 M

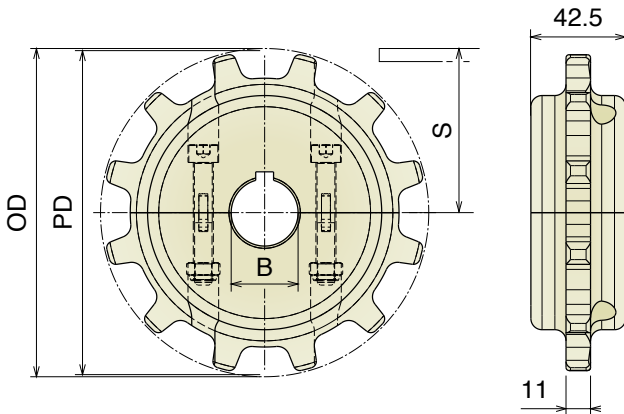
Ruote dentate per catene / Chain sprockets / Kettenräder für Scharnierbandketten

83 M-83 M/PU-140 M

Ruota traino divisa, fresata

Split drive sprocket, machined / geteiltes Antriebskettenrad gefräst

Part	Article-Nr.	Z-	Bore	PD	OD	S
590	59001	9	25	111,4	108,0	66,79
590	59002		30			
590	59003		35			
590	59004		40			
591	59101	12	25	147,2	145,3	84,32
591	59102		30			
591	59103		35			
591	59104		40			

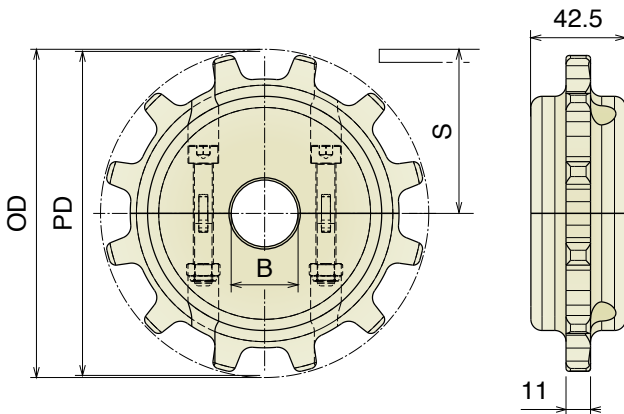


Ruota rinvio divisa, fresata

Split idler sprocket, machined / geteiltes Umlenrad, gefräst

Part	Article-Nr.	Z-	Bore	PD	OD	S
590	59050	9	18*	111,4	108,0	66,79
590	59051		25			
590	59052		30			
590	59053		35			
590	59054		40			
591	59150	12	18*	147,2	145,3	84,32
591	59151		25			
591	59152		30			
591	59153		35			
591	59154		40			

*Plain Bore



Turning Disk

Ruote dentate per catene / Chain sprockets / Kettenräder für Scharnierbandketten

Material / Material / Materialien:

Poliammide/Polyamide/Polyamid

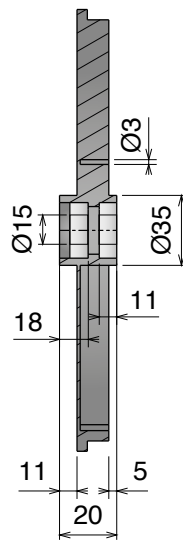
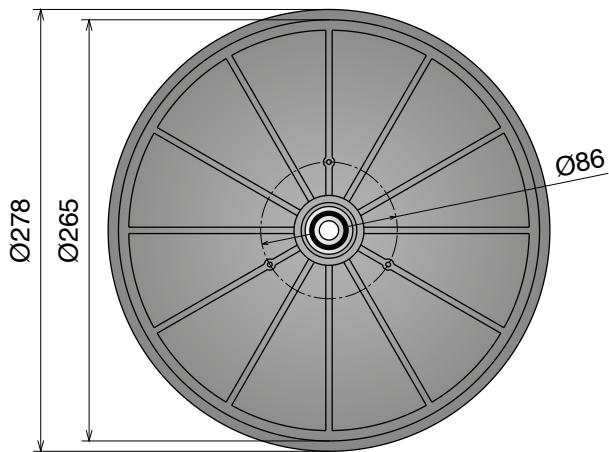
Viti: Acciaio inox/Screws: Stainless steel/Schrauben: Edelstahl

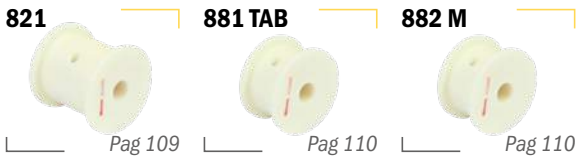
Dadi: ferro zincato/Nuts: zinc plated steel/Mutter: verzinkter Stahl

Turning Disk Disco di ritorno Turning disk / Umlenkscheibe

Suitable for 43 MF-63 MF-83 MF-103 MF | 83 M-103 M | 83 M/PU

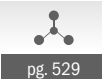
Part	Article-Nr.	Ø
170	170000	278





Chain idler wheels

Info
Material:



pg. 529

Materiale / Material / Materialien:

Poliammide/Polyamide/Polyamid

Viti: Acciaio inox/Screws: Stainless steel/Schrauben: Edelstahl

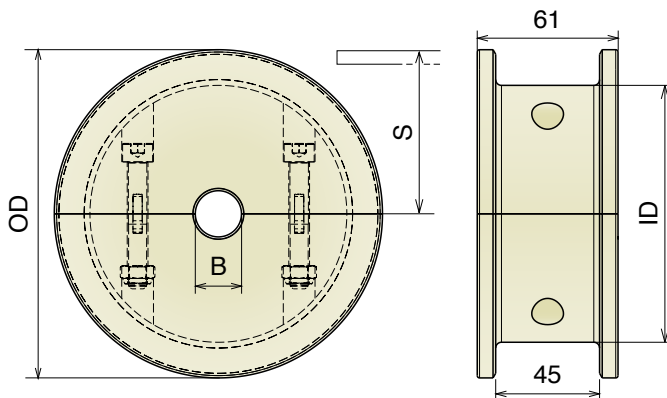
Dadi: ferro zincato/Nuts: zinc plated steel/Mutter: verzinkter Stahl

Dadi: ottone nichelato per stampate/Nuts: nickel plated brass for

molded/Mutter: Messing vernickelt für gespritzt Version

815

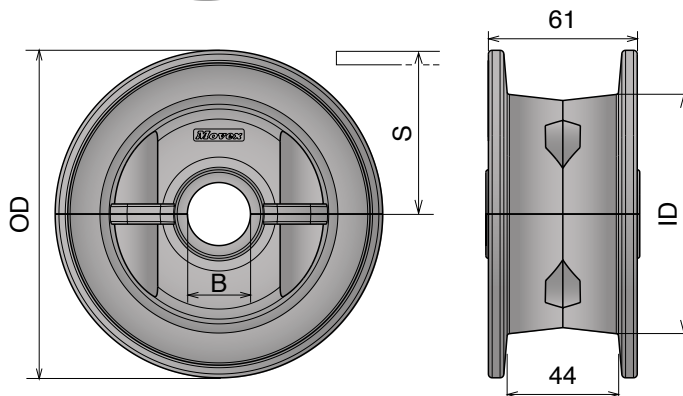
Ruota rinvio liscia, divisa, fresata
Split idler wheel, machined / geteilte Umlenkrolle, gefräst

Delivery: **Easy** **Standard** Also suitable for Series 881 M - 820 - 831 - 828 - 879 M - 880 - 880 M

Part	Article-Nr.	ecq. Z.	Bore	OD	ID	S
601	60100	17	20	104,0	75,2	56,2
601	60101		25			
601	60102		30			
601	60103		35			
601	60104		40			
602	60200	19	20	117,0	92,2	62,6
602	60201		25			
602	60202		30			
602	60203		35			
602	60204		40			
603	60300	21	20	129,8	105,0	68,6
603	60301		25			
603	60302		30			
603	60303		35			
603	60304		40			
604	60400	23	20	142,2	111,3	74,6
604	60401		25			
604	60402		30			
604	60403		35			
604	60404		40			
605	60500	25	20	154,7	124,7	80,5
605	60501		25			
605	60502		30			
605	60503		35			
605	60504		40			
606	60600	27	20	167,2	135,0	88,5
606	60601		25			
606	60602		30			
606	60603		35			
606	60604		40			
607	60700	29	20	179,3	140,0	92,8
607	60701		25			
607	60702		30			
607	60703		35			
607	60704		40			

815

Ruota rinvio liscia, divisa, stampata
Split idler wheel, molded / geteilte Umlenkrolle, gespritzt

Delivery: **Easy** **Standard** Also suitable for Series 881 M - 820 - 831 - 828 - 879 M - 880 - 880 M

Part	Article-Nr.	ecq. Z.	Bore	OD	ID	S
608	60801	21	25	129,8	94,8	68,6
608	60802		30			
608	60803		35			
608	60804		40			
609	60901	23	25	142,2	99,3	74,6
609	60902		30			
609	60903		35			
609	60904		40			
610	61001	25	25	154,7	102,0	80,5
610	61002		30			
610	61003		35			
610	61004		40			

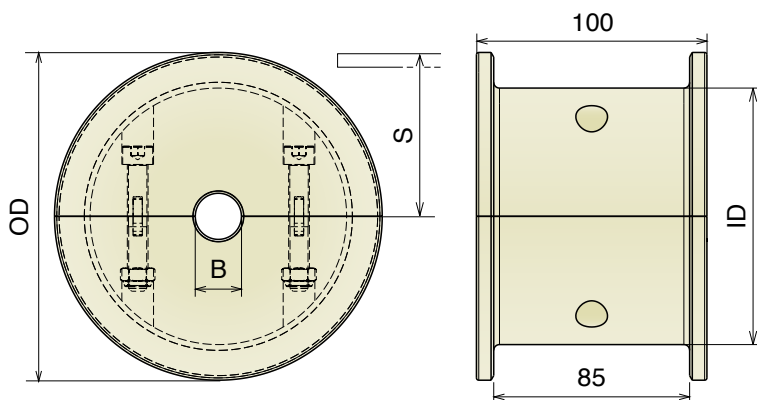
Materiale / Material / Materialien:

Poliammide/Polyamide/Polyamid

Viti: Acciaio inox/Screws: Stainless steel/Schrauben: Edelstahl

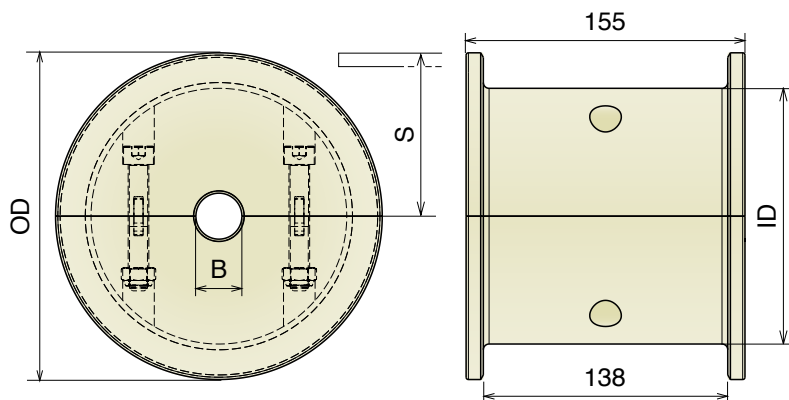
Dadi: ferro zincato/Nuts: zinc plated steel/Mutter: verzinkter Stahl

805 Ruota rinvio liscia, divisa, fresata Split idler wheel, machined / geteilte Umlenkrolle, gefräst



Part	Article-Nr.	ecq. Z-	Bore	OD	ID	S
611	61100	17	20	104,0	75,2	56,2
611	61101		25			
611	61102		30			
611	61103		35			
611	61104		40			
612	61200	19	20	117,0	92,2	62,6
612	61201		25			
612	61202		30			
612	61203		35			
612	61204		40			
613	61300	21	20	129,8	105,0	68,6
613	61301		25			
613	61302		30			
613	61303		35			
613	61304		40			
614	61400	23	20	142,2	111,3	74,6
614	61401		25			
614	61402		30			
614	61403		35			
614	61404		40			
615	61500	25	20	154,7	124,7	80,5
615	61501		25			
615	61502		30			
615	61503		35			
615	61504		40			
616	61600	27	20	167,2	135,0	88,5
616	61601		25			
616	61602		30			
616	61603		35			
616	61604		40			
617	61700	29	20	179,3	140,0	92,8
617	61701		25			
617	61702		30			
617	61703		35			
617	61704		40			

821 Ruota rinvio liscia, divisa, fresata Split idler wheel, machined / geteilte Umlenkrolle, gefräst



Part	Article-Nr.	ecq. Z-	Bore	OD	ID	S
625	62500	19	20	117,0	92,2	62,6
625	62501		25			
625	62502		30			
625	62503		35			
625	62504		40			
626	62600	21	20	129,8	105,0	68,6
626	62601		25			
626	62602		30			
626	62603		35			
626	62604		40			
627	62700	23	20	142,2	111,3	74,6
627	62701		25			
627	62702		30			
627	62703		35			
627	62704		40			
628	62800	25	20	154,7	124,7	80,5
628	62801		25			
628	62802		30			
628	62803		35			
628	62804		40			

881 TAB-882 M

Ruote folli per catene / Chain idler wheels / Umlenkrollen für Scharnierbandketten

Materiali / Material / Materialien:

Poliammide/Polyamide/Polyamid

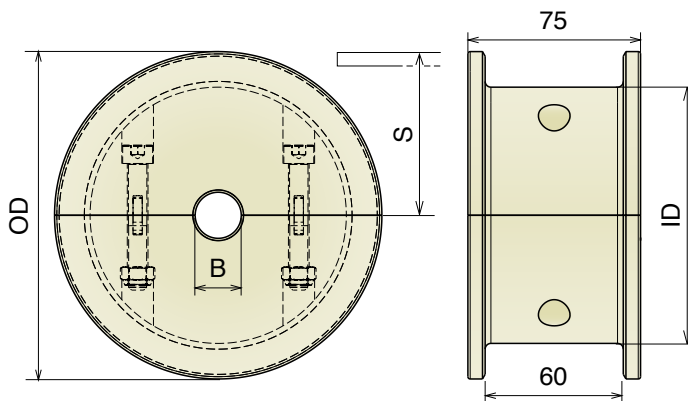
Viti: Acciaio inox/Screws: Stainless steel/Schrauben: Edelstahl

Dadi: ferro zincato/Nuts: zinc plated steel/Mutter: verzinkter Stahl

881 TAB

Ruota rinvio liscia, divisa, fresata

Split idler wheel, machined / geteilte Umlenkrolle, gefräst



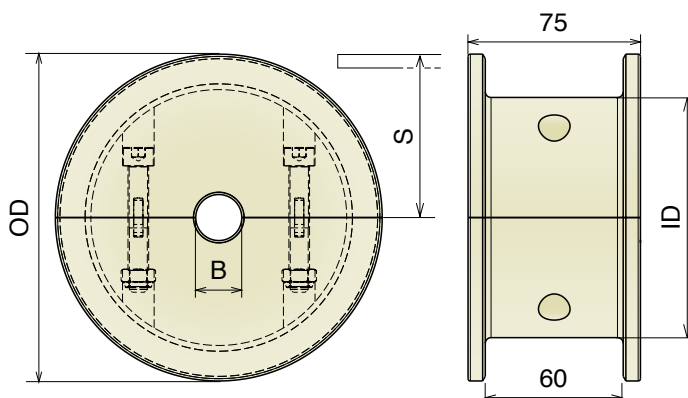
Part	Article-Nr.	ecq. Z-	Bore	OD	ID	S
618	61800	17	20	104,0	66,0	56,2
618	61801		25			
618	61802		30			
618	61803		35			
618	61804		40			
619	61900	19	20	117,0	75,0	62,6
619	61901		25			
619	61902		30			
619	61903		35			
619	61904		40			
620	62000	21	20	129,8	95,0	68,6
620	62001		25			
620	62002		30			
620	62003		35			
620	62004		40			
621	62100	23	20	142,2	108,0	74,6
621	62101		25			
621	62102		30			
621	62103		35			
621	62104		40			
622	62200	25	20	154,7	112,0	80,5
622	62201		25			
622	62202		30			
622	62203		35			
622	62204		40			
623	62300	27	20	167,2	120,0	88,5
623	62301		25			
623	62302		30			
623	62303		35			
623	62304		40			
624	62400	29	20	179,3	130,0	92,8
624	62401		25			
624	62402		30			
624	62403		35			
624	62404		40			

882 M

Ruota rinvio liscia, divisa, fresata

Split idler wheel, machined / geteilte Umlenkrolle, gefräst

Also suitable for Series 8257 - 8157 - 8857 M - 8857 M GT



Part	Article-Nr.	ecq. Z-	Bore	OD	ID	S
629	62900	17	20	104,0	75,2	56,2
629	62901		25			
629	62902		30			
629	62903		35			
629	62904		40			
630	63000	19	20	117,0	92,2	62,6
630	63001		25			
630	63002		30			
630	63003		35			
630	63004		40			
631	63100	21	20	129,8	105,0	68,6
631	63101		25			
631	63102		30			
631	63103		35			
631	63104		40			
632	63200	23	20	142,2	111,3	74,6
632	63201		25			
632	63202		30			
632	63203		35			
632	63204		40			
633	63300	25	20	154,7	124,7	80,5
633	63301		25			
633	63302		30			
633	63303		35			
633	63304		40			
634	63400	27	20	167,2	135,0	88,5
634	63401		25			
634	63402		30			
634	63403		35			
634	63404		40			
635	63500	29	20	179,3	140,0	92,8
635	63501		25			
635	63502		30			
635	63503		35			
635	63504		40			



RS PRO

Series

_____ Pag 115

880-881

M6 Series

_____ Pag 116

M7 Series

_____ Pag 117

M10 Series

_____ Pag 118

M4 Series

_____ Pag 119

M1 Series

_____ Pag 120

M5 A/C/D Series

_____ Pag 121

M8 Series

_____ Pag 122

M42 Series

_____ Pag 123

M9 Series

_____ Pag 124

M43 Series

_____ Pag 125

M21A Series

K450 Pag 126

M22A Series

K450 Pag 127

M27 Series

K450 Pag 128

M61 Series

K750 Pag 129

M62/66/65 Series

K750 Pag 130

882-8857

M81 Series

K750 Pag 131

M85 Series

K750 Pag 132

M86 Series

K750 Pag 133

M80 Series

K750 Pag 134

M93/M94 Series

K1000 Pag 135

M97/M98 Series

K1200 Pag 136

LBP 882

MP861 Series

K750 Pag 137

MP931/MP941 Series

K1000 Pag 138

MP91 Series

K1000 Pag 139

MP971/MP981 Series

K1200 Pag 140

260 M

MB7 Series

_____ Pag 141

MB6 Series

_____ Pag 142

MB4 Series

_____ Pag 143

MB8 Series

_____ Pag 144

MB5D Series

_____ Pag 145

MB22 Series

K450 Pag 146

MB27 Series

K450 Pag 147

261 M

MC7 Series

_____ Pag 148

MC6 Series

_____ Pag 149

MC4 Series

_____ Pag 150

MC8 Series

_____ Pag 151

MCD5 Series

_____ Pag 152

MC22 Series

K450 Pag 153

MC27 Series

K450 Pag 154

520 M

MA7 Series

_____ Pag 155

MA6 Series

_____ Pag 156

MA4 Series

_____ Pag 157

MA8 Series

_____ Pag 158

MA42 Series

_____ Pag 159

MA43 Series

_____ Pag 160

MA5D Series

_____ Pag 161

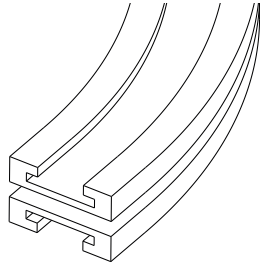
550 M

Series

_____ Pag 162

Magnetic, Tab & Bevel corner tracks

TAB Version



878-880-881 TAB-260 TAB

└─ Pag 163

882 TAB

└─ Pag 164

1873-1874 TAB

└─ Pag 165

1843 TAB

└─ Pag 166

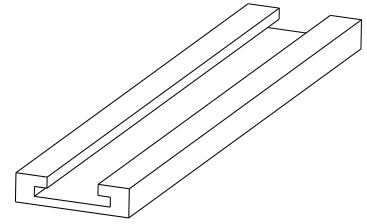
1701 TAB-1706 TAB

└─ Pag 167

880-881 B

└─ Pag 168

Straight track section



878-880-881 TAB

└─ Pag 169

882 TAB

└─ Pag 169

1873-1874 TAB

└─ Pag 170

1843 TAB

└─ Pag 170

1701 TAB-1706 TAB

└─ Pag 171



Movex RS PRO

SUPER RS MAGNETIC CURVE

New

Patented

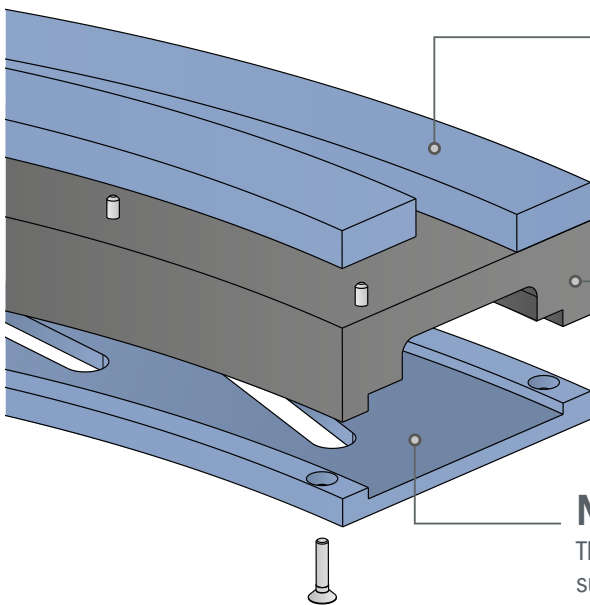
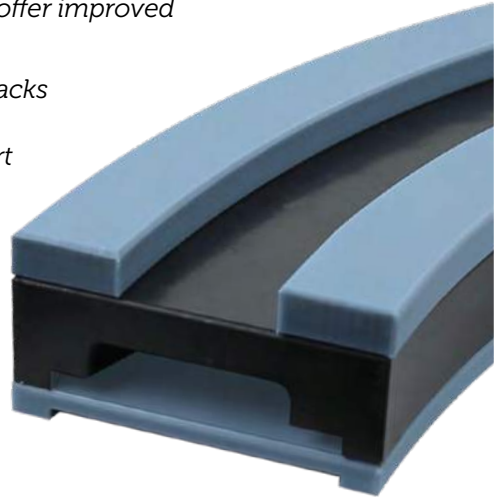
A new concept of Magnetic curve.

Movex® introduces a new concept of magnetic magnetic curves to offer improved conveyor performance.

RS PRO is a patented system that consists of machined, plastic curve tracks equipped with permanent magnets with a new curve-return concept. This concept with a special return section-plate provides a total support of the chain or belt in the return of the curve.

RS PRO is equipped with wear-strips in **BluLub**, which contributes to improved PV-properties compared to standard UHMW-PE curves especially in applications with limited lubrication, higher speeds and/or higher loads.

RS PRO curves equipped with **BluLub** wear-parts create the possibility to reduce the energy consumption due the lower friction which also improves the product stability and wear-life of chains and belts.



Wear strip *made in BluLub*

The new assembly system reduces the maintenance-time in case of replacement. **BluLub** material guarantees great performance especially in applications with limited use of lubricants, higher speeds and/or higher loads.

Return section

The return section of the **RS PRO** curve (made out of **UHMW-PE**) is designed to reduce the distance between chain and magnets; ensuring steady magnetic force and keeping the chain in the correct position.

New support plate *made in BluLub*

The new return-section plate made out of **BluLub**, creates a full support of the chain or belt in this return-section.

RS PRO patented curves can be used for both, chains as well as chain-belts. Depending on the installation of the return-section plate, the correct space is created in the return.

Basically, two executions in one design! *More info in the next page.*

Suitable for Chain-belts & Plastic chains:

RS PRO

Advantages:

- Lower Wear
- Lower Friction
- Easy to install
- Easy to maintain
- Longer wearlife of chain
- Lower Maintenance cost



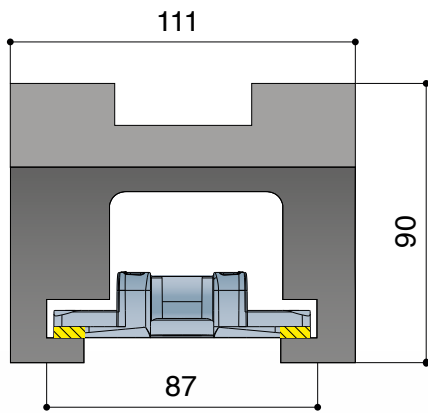
260 M



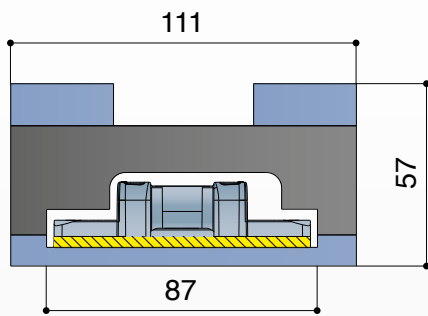
880 M



260 M

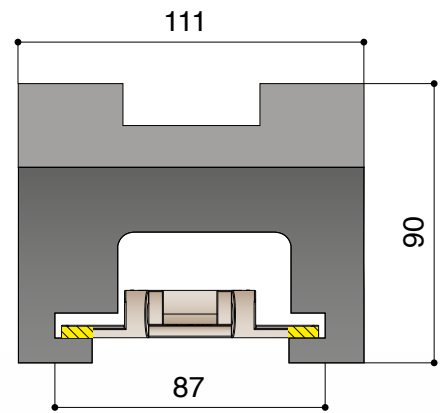


Standard CURVE

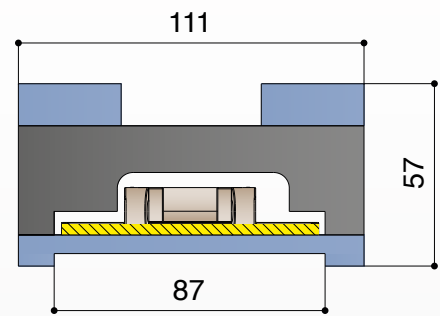


RS PRO CURVE
with **BluLub** WEARSTRIPS

880 M

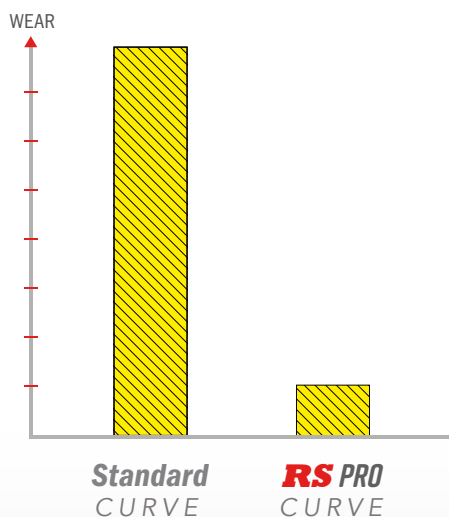


Standard CURVE



RS PRO CURVE
with **BluLub** WEARSTRIPS

Wear test



RS PRO patented system provides the largest contact surface area between chain and curve, this improves the product stability specific after many hours of operation. Due the large contact area, the wear is optimum and equally divided with a minimum of force in the return-section.

Movex® RS PRO means longer wearlife of chain and curve, lower maintenance cost and better performance!



Chain used with
Standard CURVE



Chain used with
RS PRO CURVE

Materiale / Material / Materialien:
 Polietilene UHMW-PE / **BluLub**
 Polyethylene UHMW-PE / **BluLub**
 Polyäthylen UHMW-PE / **BluLub**

Curve magnetiche, Tab & Bevel / Magnetic, Tab & Bevel corner tracks / Kurvenführungen Magnet, Tab & Bevel Version

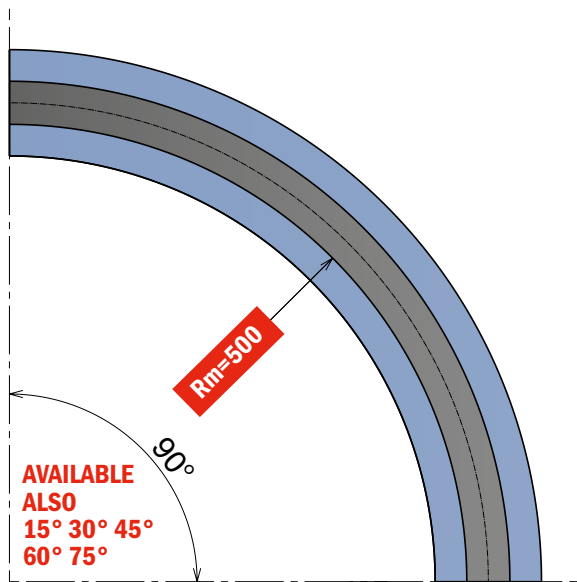
RS PRO

RS PRO

New

Chain Reference	879 M - K325	880 M - K325	880 M - K330	881 M - K325	881 M - K330	260 M - K330
-----------------	--------------	--------------	--------------	--------------	--------------	--------------

Curva Larghezza Base = 111 mm
 Curve Basic Width = 111 mm
 Kurve Basisbreite = 111 mm;

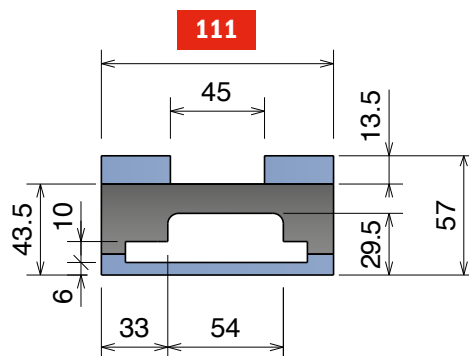
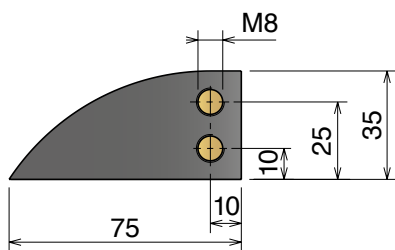


AVAILABLE ALSO
 15° 30° 45°
 60° 75°

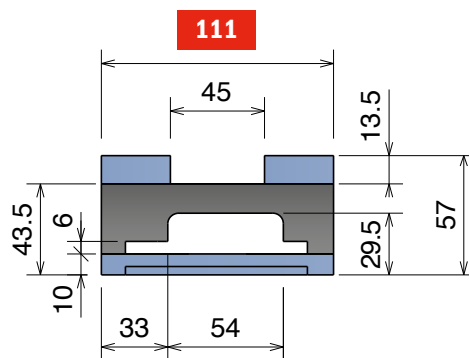
IN & OUT
 AVAILABLE ALSO
 125 mm - 100 mm - 50 mm



Available in
BluLub



SINGLE TRACK for 260 M



SINGLE TRACK for 880 M

Magnetic System

Part	Article-Nr.	Tracks	W	Material
712	71211610RSPRO	1	111	



RS PRO
 CURVE

On request available
 with different radius.

880-881 M6 Series

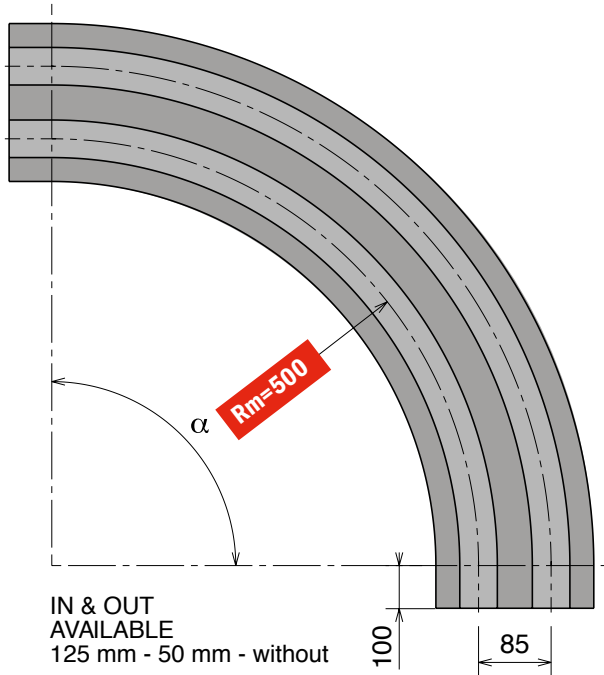
Curve magnetiche, Tab & Bevel / Magnetic, Tab & Bevel corner tracks / Kurvenführungen Magnet, Tab & Bevel Version

Materiale / Material / Materialien:
 Polietilene UHMW-PE
 Polyethylene UHMW-PE
 Polyäthylen UHMW-PE

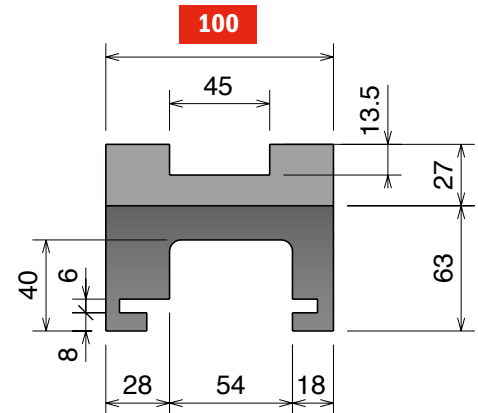
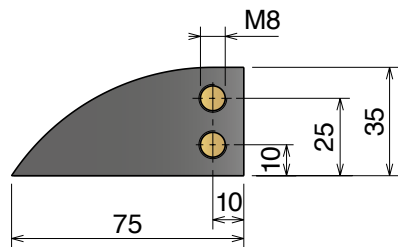
880-881 M6 Series

Chain Reference	879 M - K325	880 M - K325	880 M - K330	881 M - K325	881 M - K330	Delivery:	Easy	Standard
-----------------	--------------	--------------	--------------	--------------	--------------	-----------	------	----------

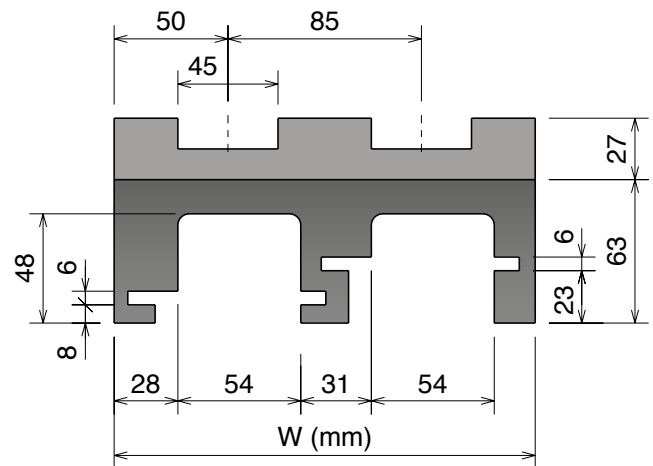
Curva Larghezza Base = 100 mm; Passo = 85 mm
 Curve Basic Width = 100 mm; Pitch = 85 mm
 Kurve Basisbreite = 100 mm; Teilung = 85 mm



Available in **BluLub**






SINGLE TRACK




MULTI TRACK

Magnetic System

Upper part available, on request, also in **BluLub** and for abrasive applications.

Part	α 15°	α 30°	α 45°	α 60°	α 75°	α 90°	Tracks	W	Material
701	70111114	70111214	70111314	70111414	70111514	70111614	1	100	 Standard codes on table  add "B" for BluLub  add "C" for abrasive
701	70111124	70111224	70111324	70111424	70111524	70111624	2	185	
701	70111134	70111234	70111334	70111434	70111534	70111634	3	270	
701	70111144	70111244	70111344	70111444	70111544	70111644	4	355	
701	70111154	70111254	70111354	70111454	70111554	70111654	5	440	
701	70111164	70111264	70111364	70111464	70111564	70111664	6	525	
701	70111174	70111274	70111374	70111474	70111574	70111674	7	610	
701	70111184	70111284	70111384	70111484	70111584	70111684	8	695	

Part	α 15°	α 30°	α 45°	α 60°	α 75°	α 90°	Tracks	W	Material
701	70111114RS	70111214RS	70111314RS	70111414RS	70111514RS	70111614RS	1	100	 RS add "RS" for RS-version
701	70111124RS	70111224RS	70111324RS	70111424RS	70111524RS	70111624RS	2	185	
701	70111134RS	70111234RS	70111334RS	70111434RS	70111534RS	70111634RS	3	270	
701	70111144RS	70111244RS	70111344RS	70111444RS	70111544RS	70111644RS	4	355	
701	70111154RS	70111254RS	70111354RS	70111454RS	70111554RS	70111654RS	5	440	
701	70111164RS	70111264RS	70111364RS	70111464RS	70111564RS	70111664RS	6	525	
701	70111174RS	70111274RS	70111374RS	70111474RS	70111574RS	70111674RS	7	610	
701	70111184RS	70111284RS	70111384RS	70111484RS	70111584RS	70111684RS	8	695	

Curve magnetiche, Tab & Bevel / Magnetic, Tab & Bevel corner tracks / Kurvenführungen Magnet, Tab & Bevel Version

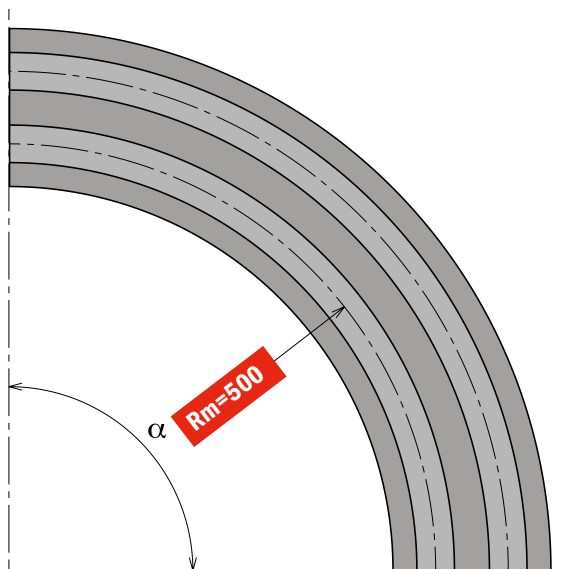
880-881 M7 Series

Chain Reference	879 M - K325	880 M - K325	880 M - K330	881 M - K325	881 M - K330
-----------------	--------------	--------------	--------------	--------------	--------------

Curva Larghezza Base = 100 mm; Passo = 85 mm

Curve Basic Width = 100 mm; Pitch = 85 mm

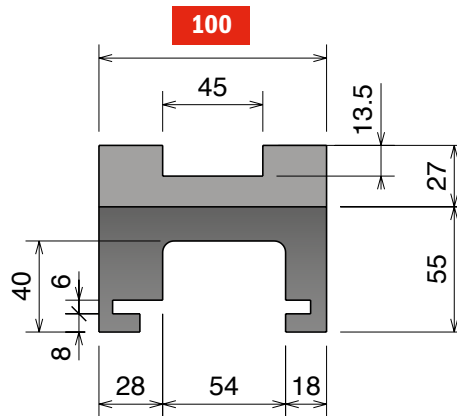
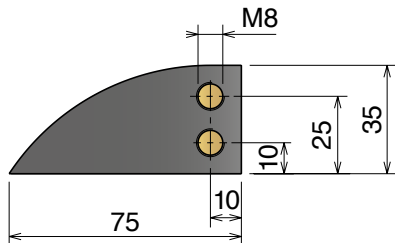
Kurve Basisbreite = 100 mm; Teilung = 85 mm



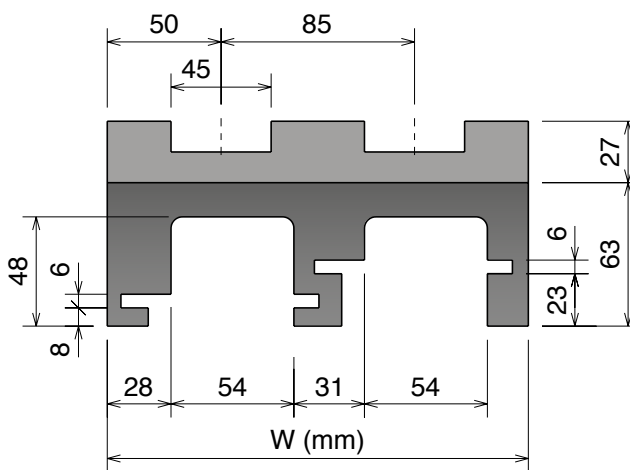
IN & OUT
 AVAILABLE ALSO
 125 mm - 100 mm - 50 mm



Available in
BluLub®



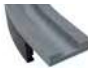
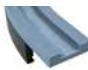

SINGLE TRACK

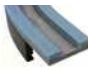


MULTI TRACK

Magnetic System

Upper part available, on request,
 also in **BluLub®**
 and for abrasive applications.

Part	α 15°	α 30°	α 45°	α 60°	α 75°	α 90°	Tracks	W	Material
701	70111110	70111210	70111310	70111410	70111510	70111610	1	100	 Standard codes on table  add " B " for BluLub®  add " C " for abrasive
701	70111120	70111220	70111320	70111420	70111520	70111620	2	185	
701	70111130	70111230	70111330	70111430	70111530	70111630	3	270	
701	70111140	70111240	70111340	70111440	70111540	70111640	4	355	
701	70111150	70111250	70111350	70111450	70111550	70111650	5	440	
701	70111160	70111260	70111360	70111460	70111560	70111660	6	525	
701	70111170	70111270	70111370	70111470	70111570	70111670	7	610	
701	70111180	70111280	70111380	70111480	70111580	70111680	8	695	

Part	α 15°	α 30°	α 45°	α 60°	α 75°	α 90°	Tracks	W	Material
701	70111110RS	70111210RS	70111310RS	70111410RS	70111510RS	70111610RS	1	100	 RS add " RS " for RS-version
701	70111120RS	70111220RS	70111320RS	70111420RS	70111520RS	70111620RS	2	185	
701	70111130RS	70111230RS	70111330RS	70111430RS	70111530RS	70111630RS	3	270	
701	70111140RS	70111240RS	70111340RS	70111440RS	70111540RS	70111640RS	4	355	
701	70111150RS	70111250RS	70111350RS	70111450RS	70111550RS	70111650RS	5	440	
701	70111160RS	70111260RS	70111360RS	70111460RS	70111560RS	70111660RS	6	525	
701	70111170RS	70111270RS	70111370RS	70111470RS	70111570RS	70111670RS	7	610	
701	70111180RS	70111280RS	70111380RS	70111480RS	70111580RS	70111680RS	8	695	

880-881 M10 Series

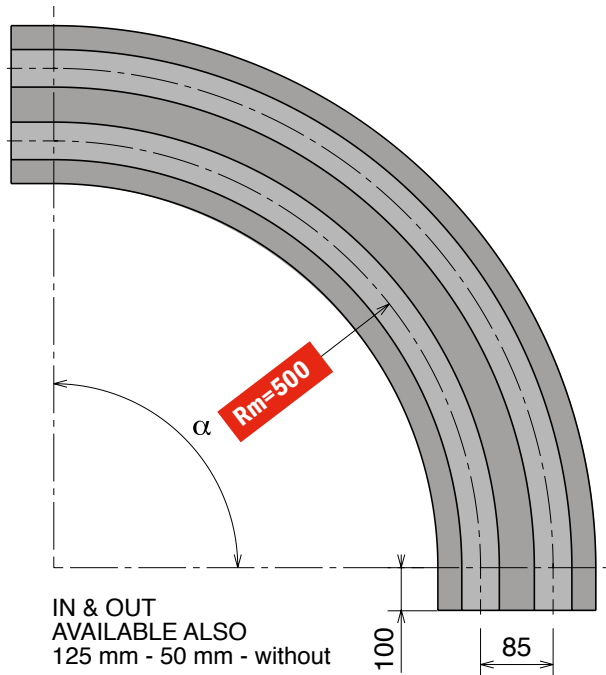
Curve magnetiche, Tab & Bevel / Magnetic, Tab & Bevel corner tracks / Kurvenführungen Magnet, Tab & Bevel Version

Materiale / Material / Materialien:
 Polietilene UHMW-PE
 Polyethylene UHMW-PE
 Polyäthylen UHMW-PE

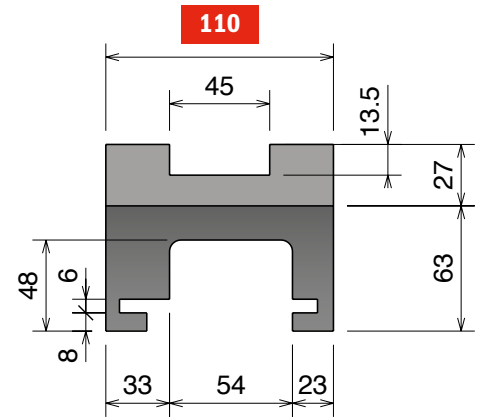
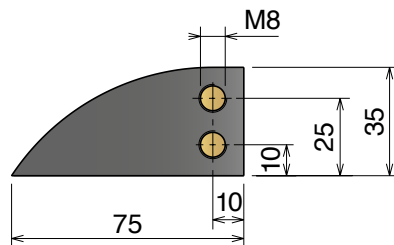
880-881 M10 Series

Chain Reference	879 M - K325	880 M - K325	880 M - K330	881 M - K325	881 M - K330
-----------------	--------------	--------------	--------------	--------------	--------------

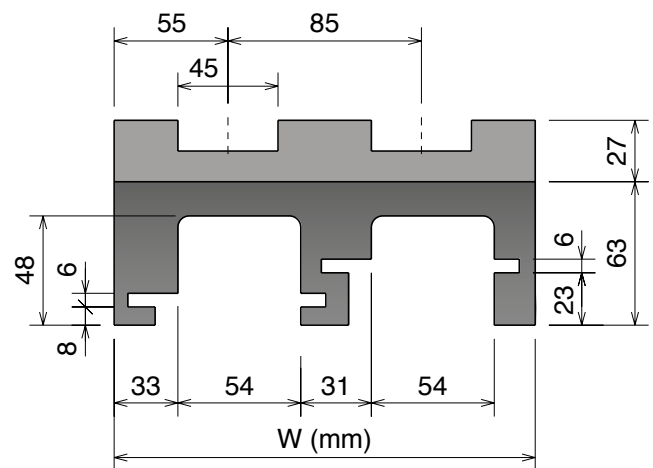
Curva Larghezza Base = 110 mm; Passo = 85 mm
 Curve Basic Width = 110 mm; Pitch = 85 mm
 Kurve Basisbreite = 110 mm; Teilung = 85 mm



Available in **BluLub**




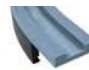

SINGLE TRACK

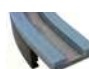


MULTI TRACK

Magnetic System

Upper part available, on request, also in **BluLub** and for abrasive applications.

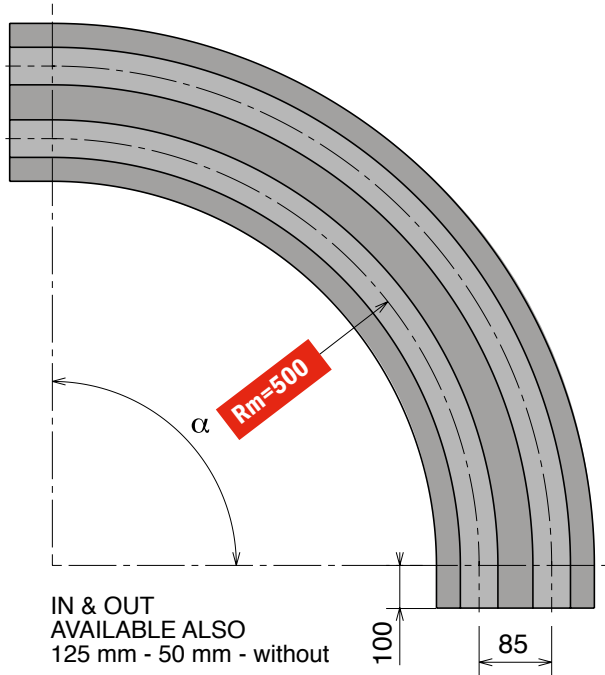
Part	α 15°	α 30°	α 45°	α 60°	α 75°	α 90°	Tracks	W	Material
711	71111114	71111214	71111314	71111414	71111514	71111614	1	110	 Standard codes on table
711	71111124	71111224	71111324	71111424	71111524	71111624	2	195	
711	71111134	71111234	71111334	71111434	71111534	71111634	3	280	 add "B" for BluLub
711	71111144	71111244	71111344	71111444	71111544	71111644	4	365	
711	71111154	71111254	71111354	71111454	71111554	71111654	5	450	 add "C" for abrasive
711	71111164	71111264	71111364	71111464	71111564	71111664	6	535	
711	71111174	71111274	71111374	71111474	71111574	71111674	7	620	
711	71111184	71111284	71111384	71111484	71111584	71111684	8	705	

Part	α 15°	α 30°	α 45°	α 60°	α 75°	α 90°	Tracks	W	Material
711	71111114RS	71111214RS	71111314RS	71111414RS	71111514RS	71111614RS	1	110	 RS add "RS" for RS-version
711	71111124RS	71111224RS	71111324RS	71111424RS	71111524RS	71111624RS	2	195	
711	71111134RS	71111234RS	71111334RS	71111434RS	71111534RS	71111634RS	3	280	
711	71111144RS	71111244RS	71111344RS	71111444RS	71111544RS	71111644RS	4	365	
711	71111154RS	71111254RS	71111354RS	71111454RS	71111554RS	71111654RS	5	450	
711	71111164RS	71111264RS	71111364RS	71111464RS	71111564RS	71111664RS	6	535	
711	71111174RS	71111274RS	71111374RS	71111474RS	71111574RS	71111674RS	7	620	
711	71111184RS	71111284RS	71111384RS	71111484RS	71111584RS	71111684RS	8	705	

880-881 M4 Series

Chain Reference	879 M - K325	880 M - K325	880 M - K330	881 M - K325	881 M - K330
-----------------	--------------	--------------	--------------	--------------	--------------

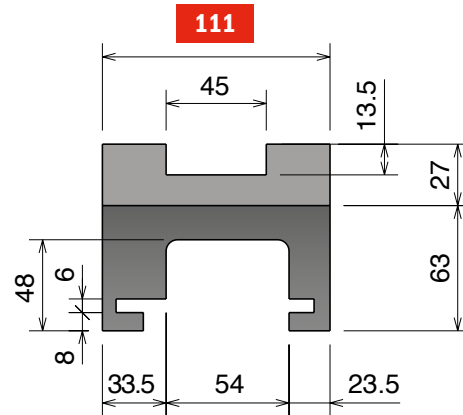
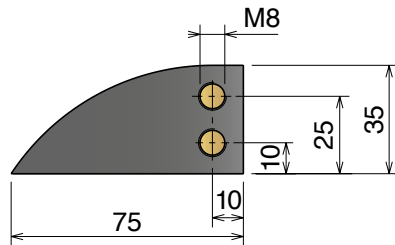
Curva Larghezza Base = 111 mm; Passo = 85 mm
 Curve Basic Width = 111 mm; Pitch = 85 mm
 Kurve Basisbreite = 111 mm; Teilung = 85 mm



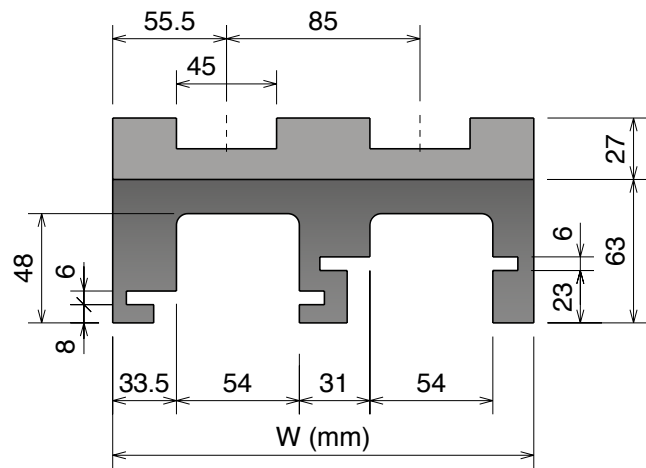
IN & OUT
 AVAILABLE ALSO
 125 mm - 50 mm - without



Available in
BluLub®



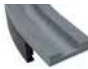


SINGLE TRACK

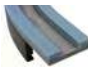


MULTI TRACK

Magnetic System

Upper part available, on request,
 also in **BluLub®**
 and for abrasive applications.

Part	α 15°	α 30°	α 45°	α 60°	α 75°	α 90°	Tracks	W	Material
712	71211114	71211214	71211314	71211414	71211514	71211614	1	111	 Standard codes on table  add "B" for BluLub®  add "C" for abrasive
712	71211124	71211224	71211324	71211424	71211524	71211624	2	196	
712	71211134	71211234	71211334	71211434	71211534	71211634	3	281	
712	71211144	71211244	71211344	71211444	71211544	71211644	4	366	
712	71211154	71211254	71211354	71211454	71211554	71211654	5	451	
712	71211164	71211264	71211364	71211464	71211564	71211664	6	536	
712	71211174	71211274	71211374	71211474	71211574	71211674	7	621	
712	71211184	71211284	71211384	71211484	71211584	71211684	8	706	

Part	α 15°	α 30°	α 45°	α 60°	α 75°	α 90°	Tracks	W	Material
712	71211114RS	71211214RS	71211314RS	71211414RS	71211514RS	71211614RS	1	111	 RS add "RS" for RS-version
712	71211124RS	71211224RS	71211324RS	71211424RS	71211524RS	71211624RS	2	196	
712	71211134RS	71211234RS	71211334RS	71211434RS	71211534RS	71211634RS	3	281	
712	71211144RS	71211244RS	71211344RS	71211444RS	71211544RS	71211644RS	4	366	
712	71211154RS	71211254RS	71211354RS	71211454RS	71211554RS	71211654RS	5	451	
712	71211164RS	71211264RS	71211364RS	71211464RS	71211564RS	71211664RS	6	536	
712	71211174RS	71211274RS	71211374RS	71211474RS	71211574RS	71211674RS	7	621	
712	71211184RS	71211284RS	71211384RS	71211484RS	71211584RS	71211684RS	8	706	

880-881 M1 Series

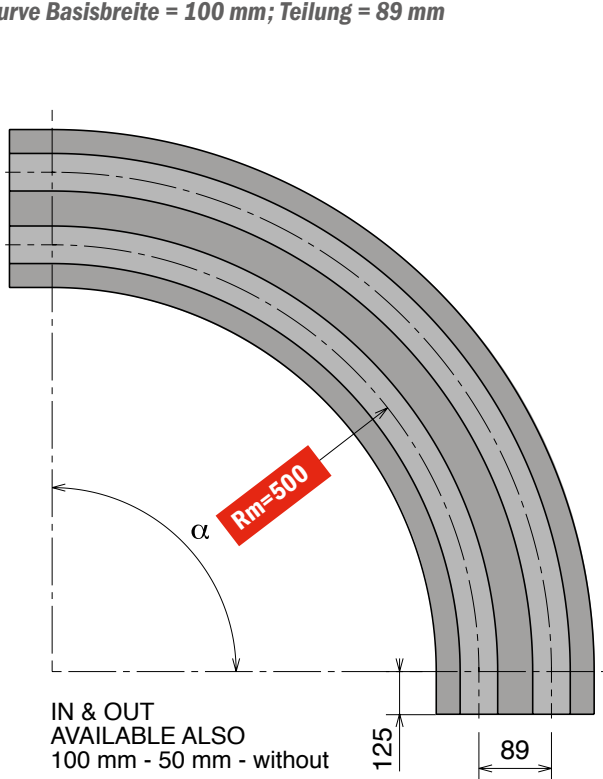
Curve magnetiche, Tab & Bevel / Magnetic, Tab & Bevel corner tracks / Kurvenführungen Magnet, Tab & Bevel Version

Materiale / Material / Materialien:
 Polietilene UHMW-PE
 Polyethylene UHMW-PE
 Polyäthylen UHMW-PE

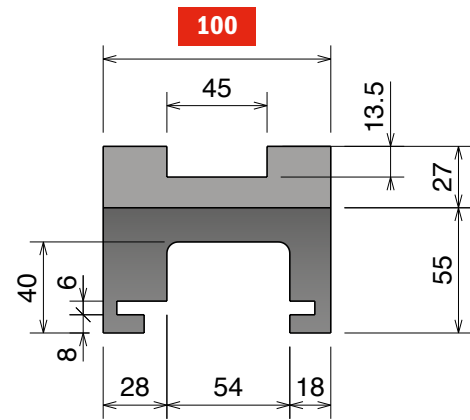
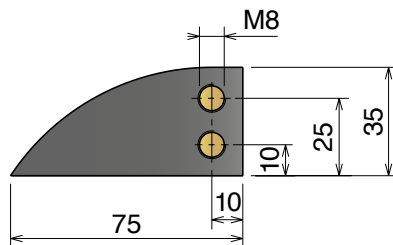
880-881 M1 Series

Chain Reference	879 M - K325	880 M - K325	880 M - K330	881 M - K325	881 M - K330
-----------------	--------------	--------------	--------------	--------------	--------------

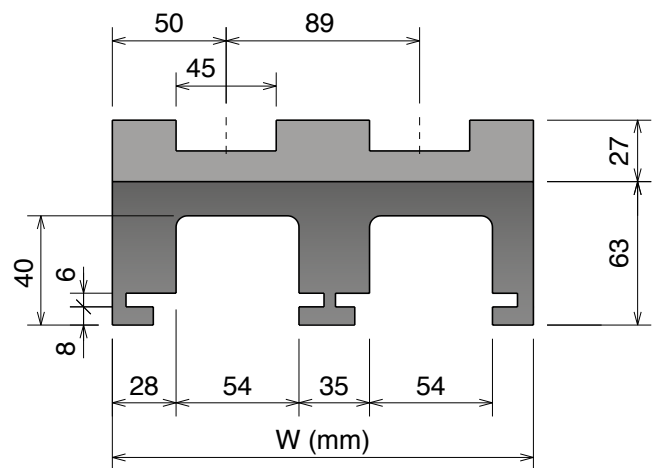
Curva Larghezza Base = 100 mm; Passo = 89 mm
 Curve Basic Width = 100 mm; Pitch = 89 mm
 Kurve Basisbreite = 100 mm; Teilung = 89 mm



Available in
BluLub




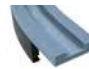

SINGLE TRACK

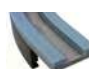


MULTI TRACK

Magnetic System

Upper part available, on request,
 also in **BluLub**
 and for abrasive applications.

Part	α 15°	α 30°	α 45°	α 60°	α 75°	α 90°	Tracks	W	Material
730	73011115	73011215	73011315	73011415	73011515	73011615	1	100	 Standard codes on table
730	73011125	73011225	73011325	73011425	73011525	73011625	2	189	
730	73011135	73011235	73011335	73011435	73011535	73011635	3	278	 add "B" for BluLub
730	73011145	73011245	73011345	73011445	73011545	73011645	4	367	
730	73011155	73011255	73011355	73011455	73011555	73011655	5	456	 add "C" for abrasive
730	73011165	73011265	73011365	73011465	73011565	73011665	6	545	
730	73011175	73011275	73011375	73011475	73011575	73011675	7	634	
730	73011185	73011285	73011385	73011485	73011585	73011685	8	723	

Part	α 15°	α 30°	α 45°	α 60°	α 75°	α 90°	Tracks	W	Material
730	73011115RS	73011215RS	73011315RS	73011415RS	73011515RS	73011615RS	1	100	 RS add "RS" for RS-version
730	73011125RS	73011225RS	73011325RS	73011425RS	73011525RS	73011625RS	2	189	
730	73011135RS	73011235RS	73011335RS	73011435RS	73011535RS	73011635RS	3	278	
730	73011145RS	73011245RS	73011345RS	73011445RS	73011545RS	73011645RS	4	367	
730	73011155RS	73011255RS	73011355RS	73011455RS	73011555RS	73011655RS	5	456	
730	73011165RS	73011265RS	73011365RS	73011465RS	73011565RS	73011665RS	6	545	
730	73011175RS	73011275RS	73011375RS	73011475RS	73011575RS	73011675RS	7	634	
730	73011185RS	73011285RS	73011385RS	73011485RS	73011585RS	73011685RS	8	723	

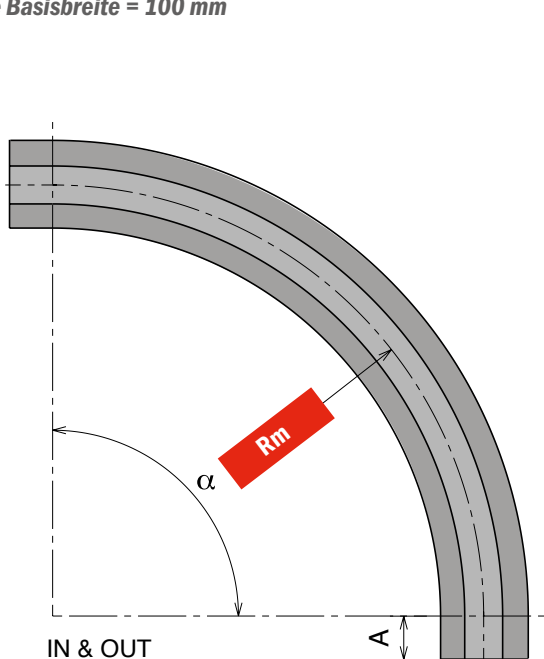
880-881 M5 A/C/D Series

Chain Reference	879 M - K325	880 M - K325	880 M - K330	881 M - K325	881 M - K330
-----------------	--------------	--------------	--------------	--------------	--------------

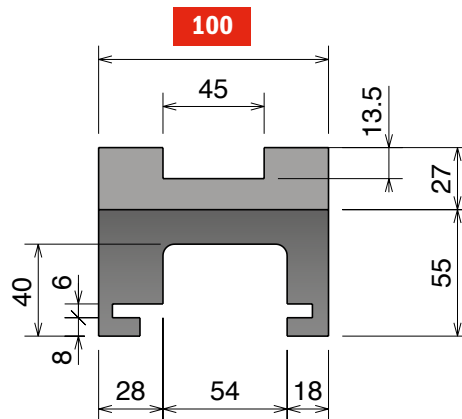
Curva Larghezza Base = 100 mm

Curve Basic Width = 100 mm

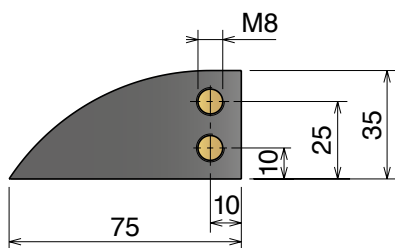
Kurve Basisbreite = 100 mm



IN & OUT
 AVAILABLE ALSO
 100 mm - 50 mm - without



Available in
BluLub®



Upper part available, on request,
 also in **BluLub®**
 and for abrasive applications.

Magnetic System

M5A Series - Rm 680

Part	α 15°	α 30°	α 45°	α 60°	α 75°	α 90°	Tracks	W	A
703	70315114	70315214	70315314	70315414	70315514	70315614	1	100	100
Material	Standard codes on table		add "B" for BluLub®		add "C" for abrasive		add "RS" for RS -version		

M5C Series - Rm 860

Part	α 15°	α 30°	α 45°	α 60°	α 75°	α 90°	Tracks	W	A
703	70318115	70318215	70318315	70318415	70318515	70318615	1	100	125
Material	Standard codes on table		add "B" for BluLub®		add "C" for abrasive		add "RS" for RS -version		

M5D Series - Rm 1000

Part	α 15°	α 30°	α 45°	α 60°	α 75°	α 90°	Tracks	W	A
703	70319110	70319210	70319310	70319410	70319510	70319610	1	100	0
Material	Standard codes on table		add "B" for BluLub®		add "C" for abrasive		add "RS" for RS -version		

880-881 M8 Series

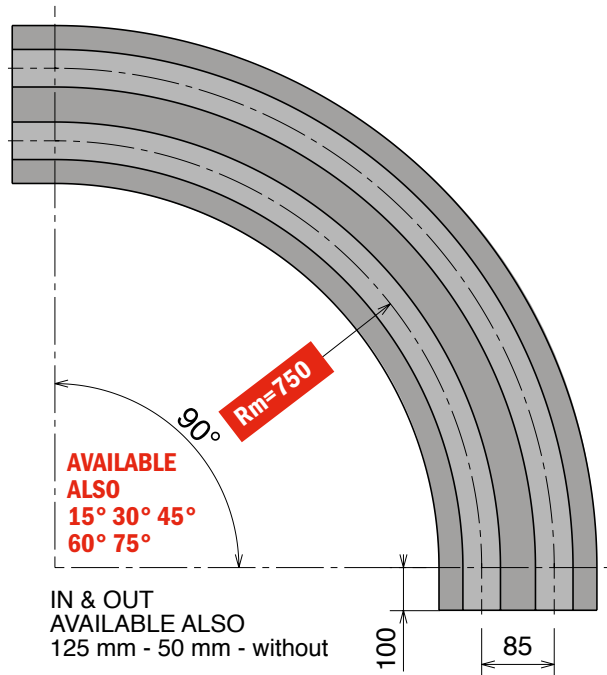
Curve magnetiche, Tab & Bevel / Magnetic, Tab & Bevel corner tracks / Kurvenführungen Magnet, Tab & Bevel Version

Materiale / Material / Materialien:
 Polietilene UHMW-PE
 Polyethylene UHMW-PE
 Polyäthylen UHMW-PE

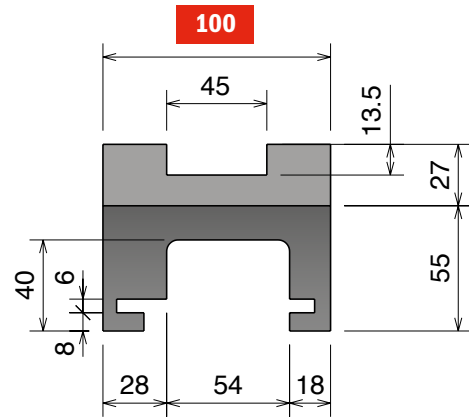
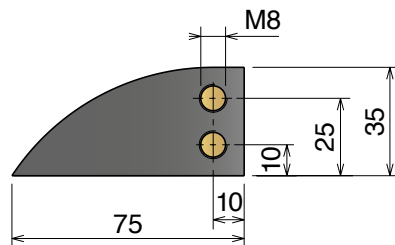
880-881 M8 Series

Chain Reference 879 M - K325 880 M - K325 880 M - K330 881 M - K325 881 M - K330

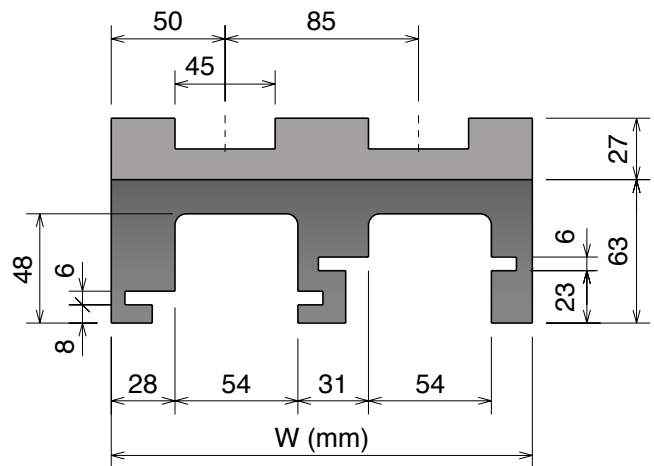
Curva Larghezza Base = 100 mm; Passo = 85 mm
 Curve Basic Width = 100 mm; Pitch = 85 mm
 Kurve Basisbreite = 100 mm; Teilung = 85 mm



Available in
BluLub®



SINGLE TRACK



MULTI TRACK

Upper part available, on request,
 also in **BluLub®**
 and for abrasive applications.

Magnetic System

Part	Article-Nr.	Tracks	W	Material
702	70216614	1	100	Standard codes on table
702	70216624	2	185	
702	70216634	3	270	add "B" for BluLub®
702	70216644	4	355	
702	70216654	5	440	add "C" for abrasive
702	70216664	6	525	
702	70216674	7	610	
702	70216684	8	695	

Part	Article-Nr.	Tracks	W	Material
702	70216614RS	1	100	RS add "RS" for RS-version
702	70216624RS	2	185	
702	70216634RS	3	270	
702	70216644RS	4	355	
702	70216654RS	5	440	
702	70216664RS	6	525	
702	70216674RS	7	610	
702	70216684RS	8	695	

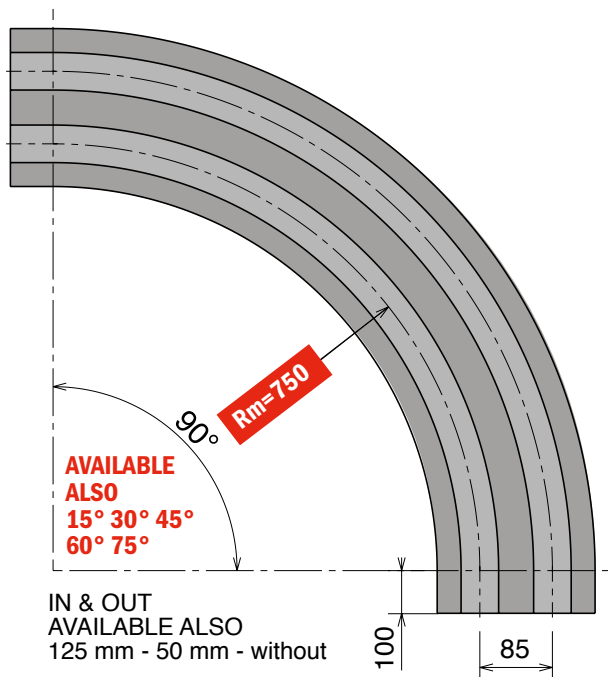
880-881 M42 Series

Chain Reference	879 M - K325	880 M - K325	880 M - K330	881 M - K325	881 M - K330
-----------------	--------------	--------------	--------------	--------------	--------------

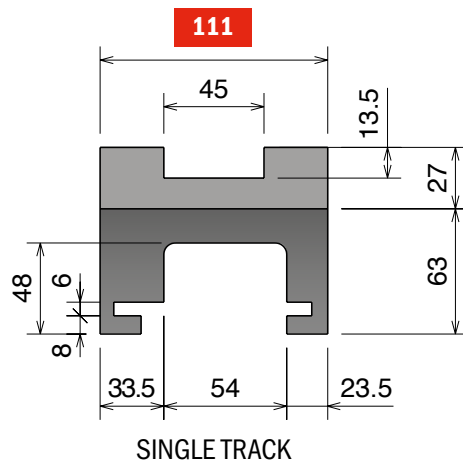
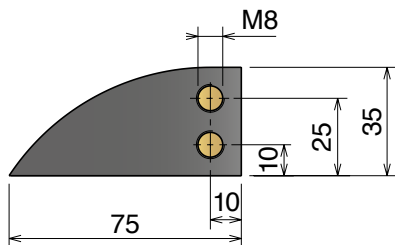
Curva Larghezza Base = 111 mm; Passo = 85 mm

Curve Basic Width = 111 mm; Pitch = 85 mm

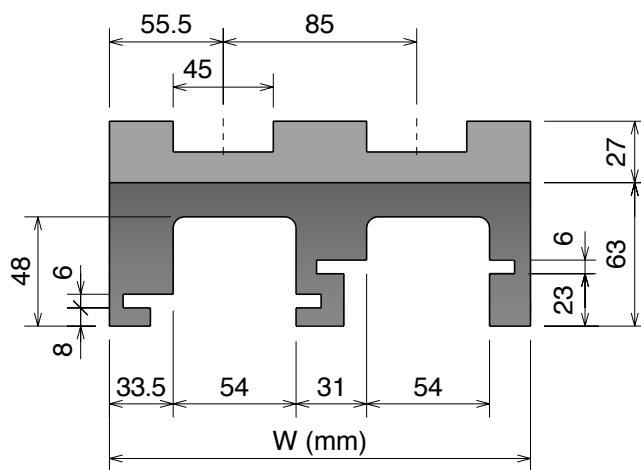
Kurve Basisbreite = 111 mm; Teilung = 85 mm



Available in **BluLub®**



SINGLE TRACK



MULTI TRACK

Upper part available, on request, also in **BluLub®** and for abrasive applications.

Magnetic System

Part	Article-Nr.	Tracks	W	Material
713	71316614	1	111	Standard codes on table
713	71316624	2	196	
713	71316634	3	281	add "B" for BluLub®
713	71316644	4	366	
713	71316654	5	451	add "C" for abrasive
713	71316664	6	536	
713	71316674	7	621	
713	71316684	8	706	

Part	Article-Nr.	Tracks	W	Material
713	71316614RS	1	111	add "RS" for RS-version
713	71316624RS	2	196	
713	71316634RS	3	281	
713	71316644RS	4	366	
713	71316654RS	5	451	
713	71316664RS	6	536	
713	71316674RS	7	621	
713	71316684RS	8	706	

880-881 M9 Series

Curve magnetiche, Tab & Bevel / Magnetic, Tab & Bevel corner tracks / Kurvenführungen Magnet, Tab & Bevel Version

Materiale / Material / Materialien:
 Polietilene UHMW-PE
 Polyethylene UHMW-PE
 Polyäthylen UHMW-PE

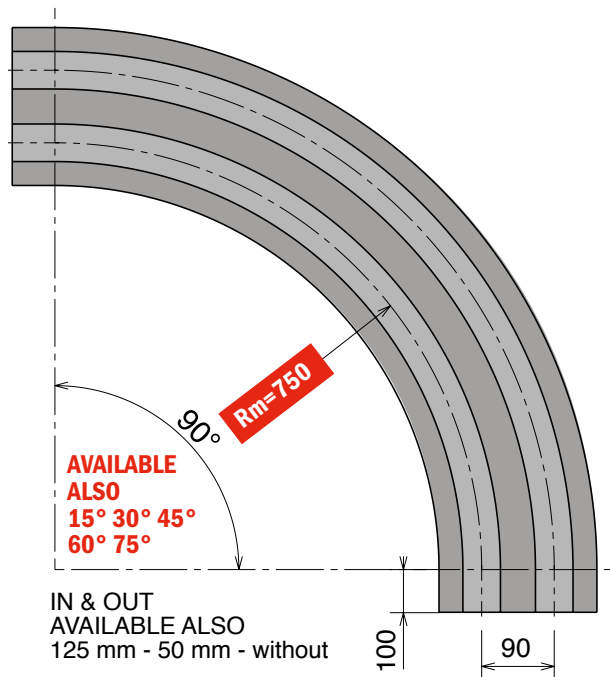
880-881 M9 Series

Chain Reference 879 M - K325 880 M - K325 880 M - K330 881 M - K325 881 M - K330

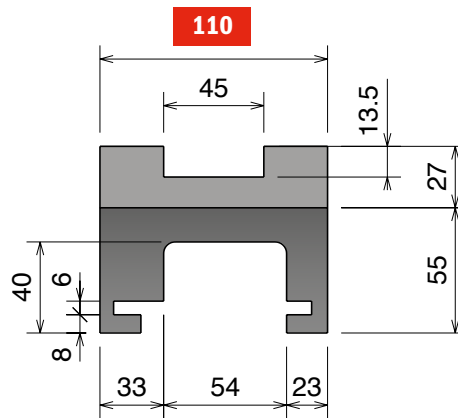
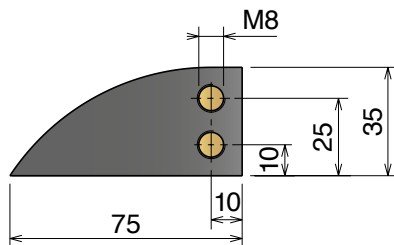
Curva Larghezza Base = 110 mm; Passo = 90 mm

Curve Basic Width = 110 mm; Pitch = 90 mm

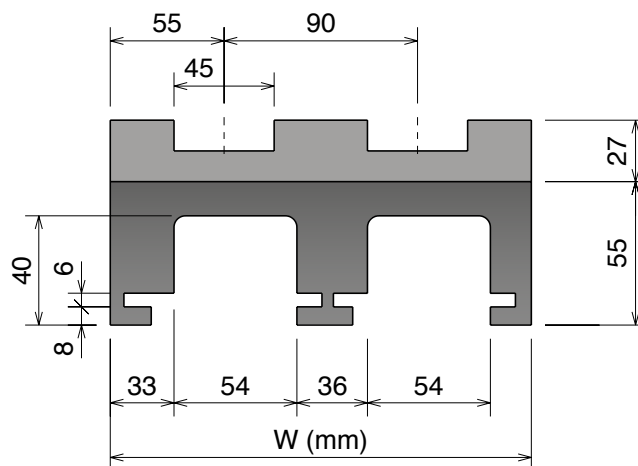
Kurve Basisbreite = 110 mm; Teilung = 90 mm



Available in
BluLub®



SINGLE TRACK



MULTI TRACK

Upper part available, on request,
 also in **BluLub®**
 and for abrasive applications.

Magnetic System

Part	Article-Nr.	Tracks	W	Material
714	71416614	1	110	Standard codes on table
714	71416624	2	200	
714	71416634	3	290	add "B" for BluLub®
714	71416644	4	380	
714	71416654	5	470	add "C" for abrasive
714	71416664	6	560	
714	71416674	7	650	
714	71416684	8	740	

Part	Article-Nr.	Tracks	W	Material
714	71416614RS	1	110	add "RS" for RS-version
714	71416624RS	2	200	
714	71416634RS	3	290	
714	71416644RS	4	380	
714	71416654RS	5	470	
714	71416664RS	6	560	
714	71416674RS	7	650	
714	71416684RS	8	740	

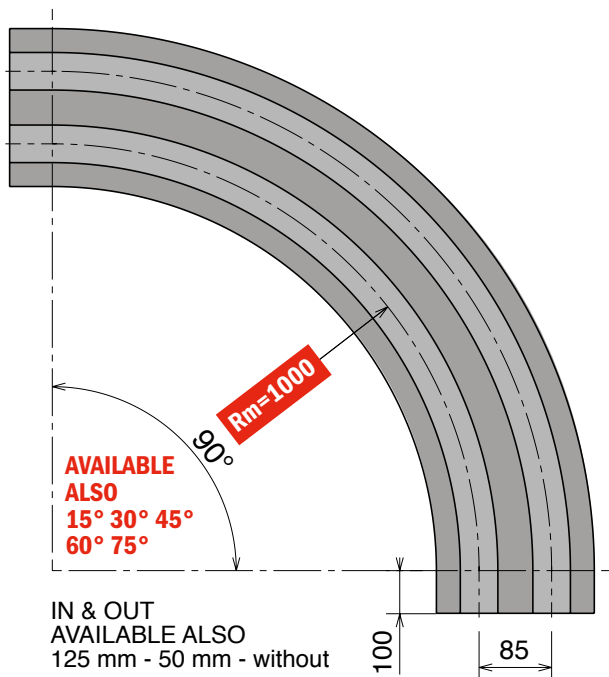
880-881 M43 Series

Chain Reference	879 M - K325	880 M - K325	880 M - K330	881 M - K325	881 M - K330
-----------------	--------------	--------------	--------------	--------------	--------------

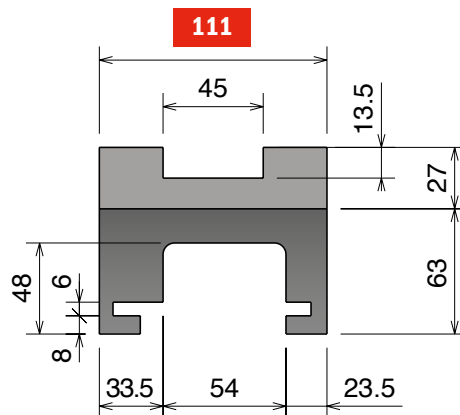
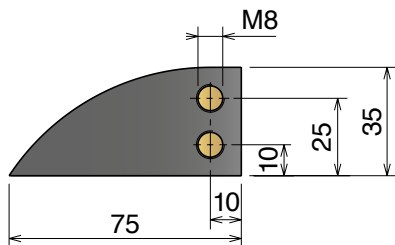
Curva Larghezza Base = 111 mm; Passo = 85 mm

Curve Basic Width = 111 mm; Pitch = 85 mm

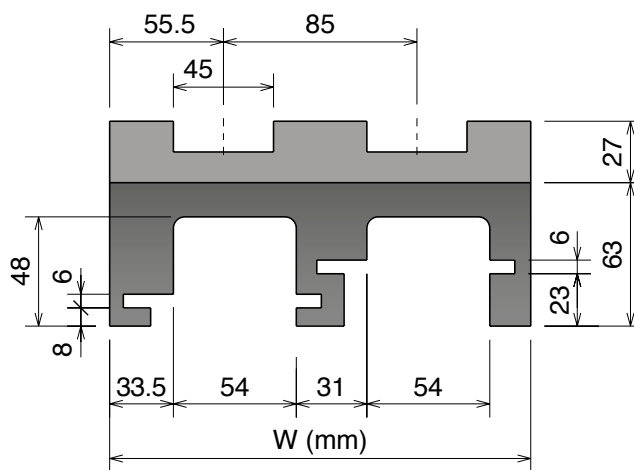
Kurve Basisbreite = 111 mm; Teilung = 85 mm



Available in **BluLub**®



SINGLE TRACK



MULTI TRACK

Magnetic System

Upper part available, on request, also in **BluLub**® and for abrasive applications.

Part	Article-Nr.	Tracks	W	Material
712	71219614	1	111	Standard codes on table
712	71219624	2	196	
712	71219634	3	281	add "B" for BluLub®
712	71219644	4	366	
712	71219654	5	451	add "C" for abrasive
712	71219664	6	536	
712	71219674	7	621	
712	71219684	8	706	

Part	Article-Nr.	Tracks	W	Material
712	71219614RS	1	111	add "RS" for RS-version
712	71219624RS	2	196	
712	71219634RS	3	281	
712	71219644RS	4	366	
712	71219654RS	5	451	
712	71219664RS	6	536	
712	71219674RS	7	621	
712	71219684RS	8	706	

880-881 K450 M21A Series

Curve magnetische, Tab & Bevel / Magnetic, Tab & Bevel corner tracks / Kurvenführungen Magnet, Tab & Bevel Version

Materiale / Material / Materialien:
 Polietilene UHMW-PE
 Polyethylene UHMW-PE
 Polyäthylen UHMW-PE

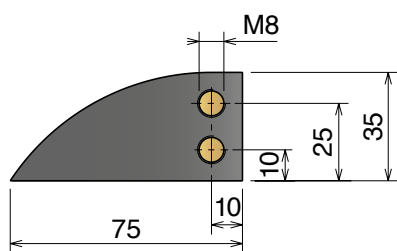
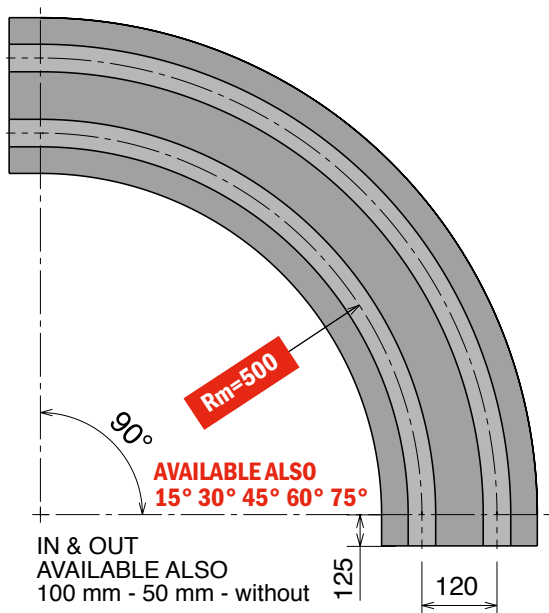
880-881 K450 M21A Series

Chain Reference 879 M - K450 880 M - K450 881 M - K450

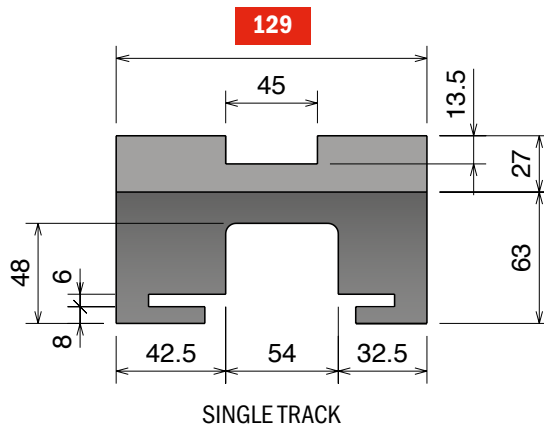
Curva Larghezza Base = 129 mm; Passo = 120 mm

Curve Basic Width = 129 mm; Pitch = 120 mm

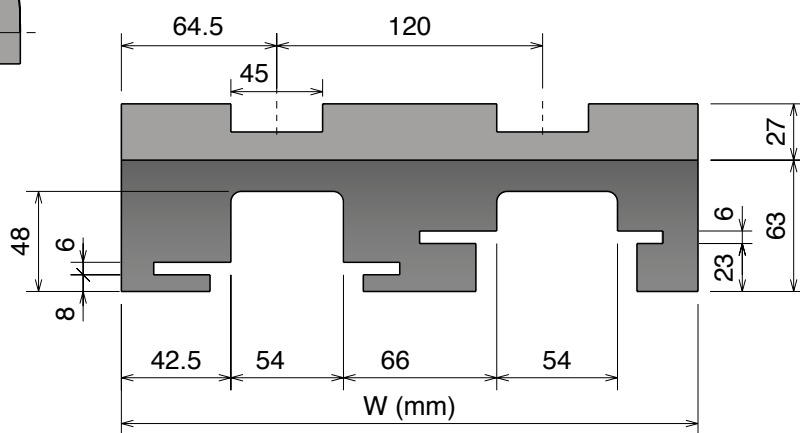
Kurve Basisbreite = 129 mm; Teilung = 120 mm



Available in
BluLub®



SINGLE TRACK



MULTI TRACK

Magnetic System

Upper part available, on request,
 also in **BluLub®**
 and for abrasive applications.

Part	Article-Nr.	Tracks	W	Material
715	71511615	1	129	Standard codes on table
715	71511625	2	249	
715	71511635	3	369	add "B" for BluLub®
715	71511645	4	489	
715	71511655	5	609	add "C" for abrasive

Part	Article-Nr.	Tracks	W	Material
715	71511615RS	1	129	add "RS" for RS-version
715	71511625RS	2	249	
715	71511635RS	3	369	
715	71511645RS	4	489	
715	71511655RS	5	609	

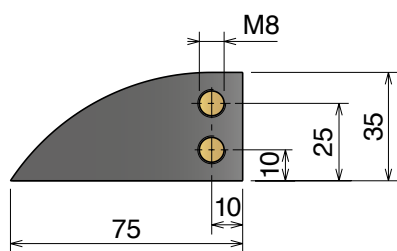
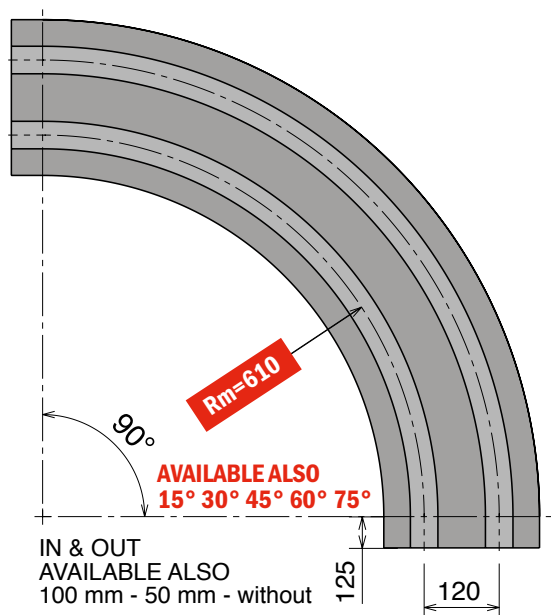
880-881 K450 M22A Series

Chain Reference	879 M - K450	880 M - K450	881 M - K450
-----------------	--------------	--------------	--------------

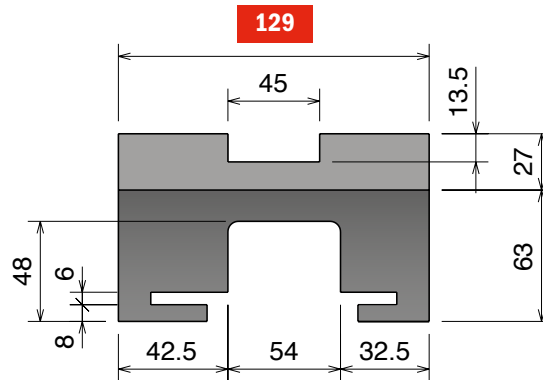
Curva Larghezza Base = 129 mm; Passo = 120 mm

Curve Basic Width = 129 mm; Pitch = 120 mm

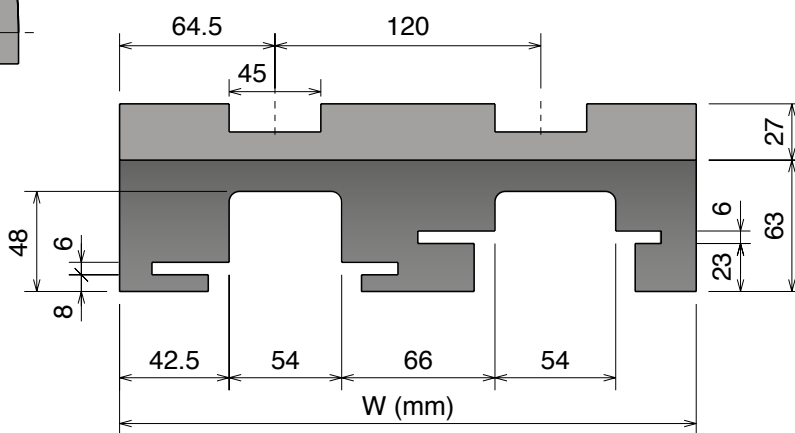
Kurve Basisbreite = 129 mm; Teilung = 120 mm



Available in
BluLub®



SINGLE TRACK



W (mm)
 MULTI TRACK

Upper part available, on request,
 also in **BluLub®**
 and for abrasive applications.

Magnetic System

Part	Article-Nr.	Tracks	W	Material
704	70413615	1	129	Standard codes on table
704	70413625	2	249	
704	70413635	3	369	add "B" for BluLub®
704	70413645	4	489	
704	70413655	5	609	add "C" for abrasive

Part	Article-Nr.	Tracks	W	Material
704	70413615RS	1	129	RS add "RS" for RS-version
704	70413625RS	2	249	
704	70413635RS	3	369	
704	70413645RS	4	489	
704	70413655RS	5	609	

880-881 K450 M27 Series

Curve magnetiche, Tab & Bevel / Magnetic, Tab & Bevel corner tracks / Kurvenführungen Magnet, Tab & Bevel Version

Materiale / Material / Materialien:
 Polietilene UHMW-PE
 Polyethylene UHMW-PE
 Polyäthylen UHMW-PE

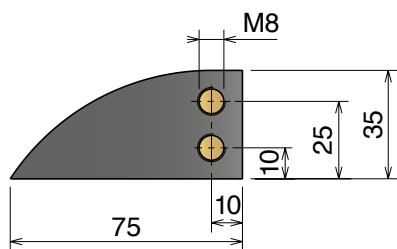
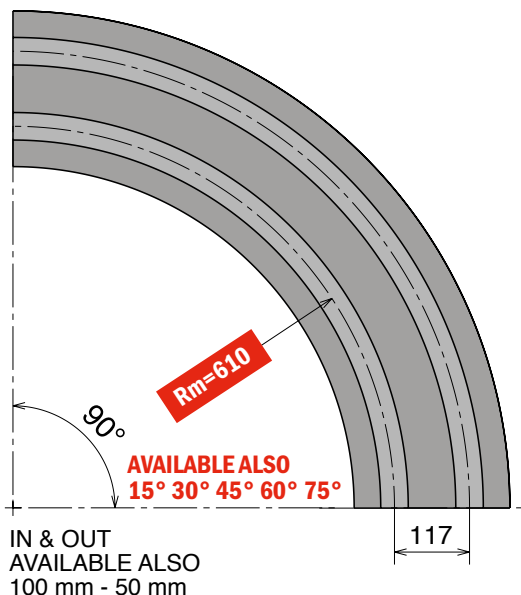
880-881 K450 M27 Series

Chain Reference 879 M - K450 880 M - K450 881 M - K450

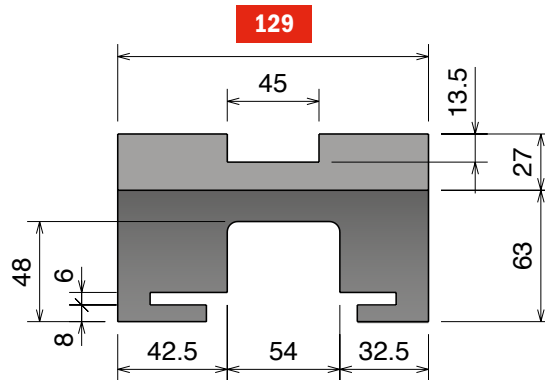
Curva Larghezza Base = 129 mm; Passo = 117 mm

Curve Basic Width = 129 mm; Pitch = 117 mm

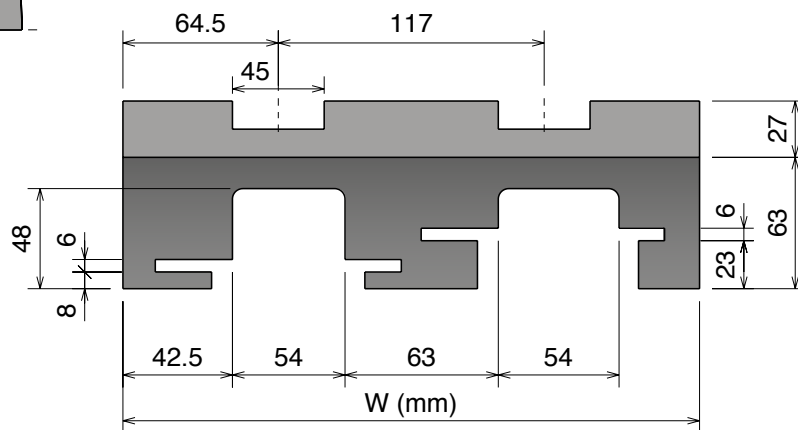
Kurve Basisbreite = 129 mm; Teilung = 117 mm



Available in **BluLub®**



SINGLE TRACK



MULTI TRACK

Magnetic System

Upper part available, on request, also in **BluLub®** and for abrasive applications.

Part	Article-Nr.	Tracks	W	Material
731	73113610	1	129	Standard codes on table
731	73113620	2	246	
731	73113630	3	363	add "B" for BluLub®
731	73113640	4	480	
731	73113650	5	597	add "C" for abrasive
731	73113660	6	714	
731	73113670	7	831	
731	73113680	8	948	

Part	Article-Nr.	Tracks	W	Material
731	73113610RS	1	129	add "RS" for RS-version
731	73113620RS	2	246	
731	73113630RS	3	363	
731	73113640RS	4	480	
731	73113650RS	5	597	
731	73113660RS	6	714	
731	73113670RS	7	831	
731	73113680RS	8	948	

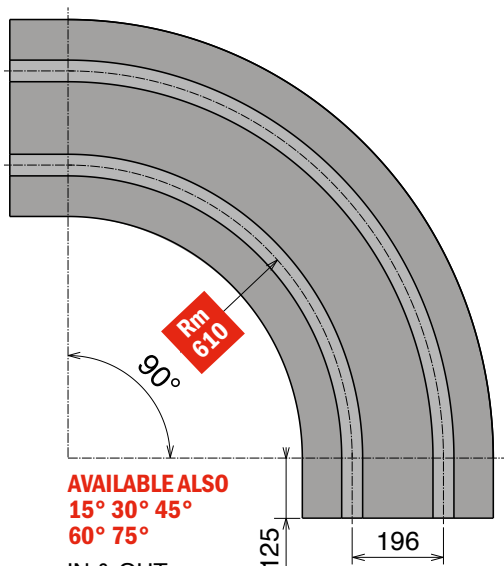
880-881 K750 M61 Series

Chain Reference	880 M - K750	881 M - K750
-----------------	--------------	--------------

Curva Larghezza Base = 214 mm; Passo = 196 mm

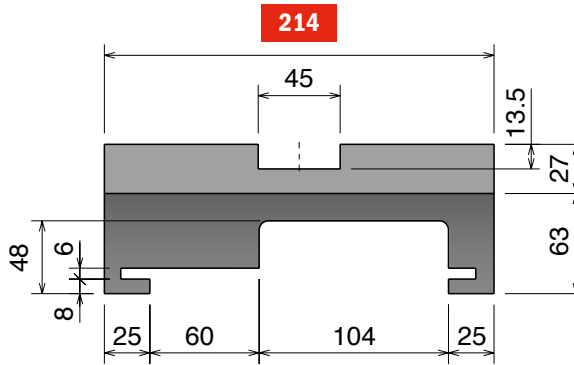
Curve Basic Width = 214 mm; Pitch = 196 mm

Kurve Basisbreite = 214 mm; Teilung = 196 mm

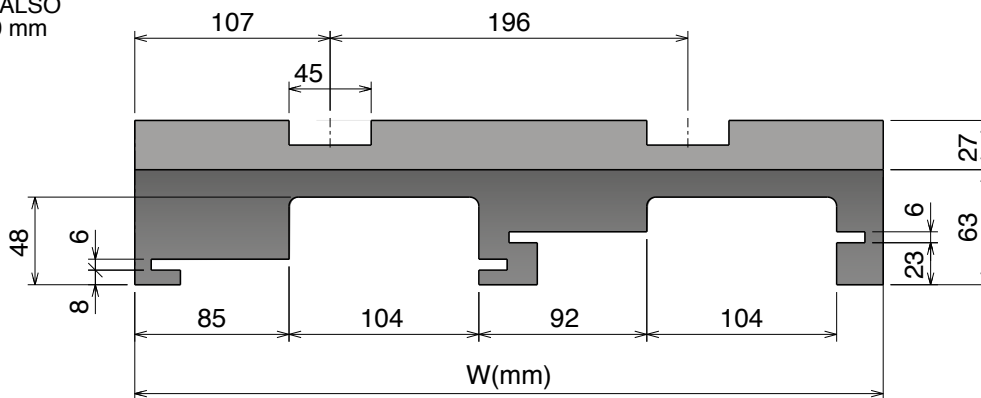


AVAILABLE ALSO
 15° 30° 45°
 60° 75°

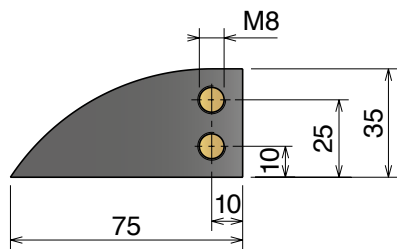
IN & OUT
 AVAILABLE ALSO
 100 mm - 50 mm
 without



SINGLE TRACK




MULTI TRACK



Available in
BluLub®


Upper part available, on request,
 also in **BluLub®**
 and for abrasive applications.

Magnetic System

Part	Article-Nr.	Tracks	W	Material
716	71613615	1	214	 Standard codes on table
716	71613625	2	410	
716	71613635	3	606	

add "B" for
BluLub®

add "C"
 for abrasive

Part	Article-Nr.	Tracks	W	Material
716	71613615RS	1	214	 RS add "RS" for RS-version
716	71613625RS	2	410	
716	71613635RS	3	606	

880-881 K750 M62/66/65 Series

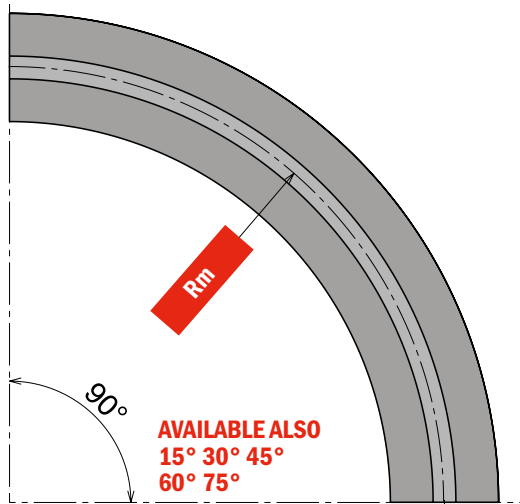
Curve magnetiche, Tab & Bevel / Magnetic, Tab & Bevel corner tracks / Kurvenführungen Magnet, Tab & Bevel Version

Materiale / Material / Materialien:
 Polietilene UHMW-PE
 Polyethylene UHMW-PE
 Polyäthylen UHMW-PE

880-881 K750 M62/66/65 Series

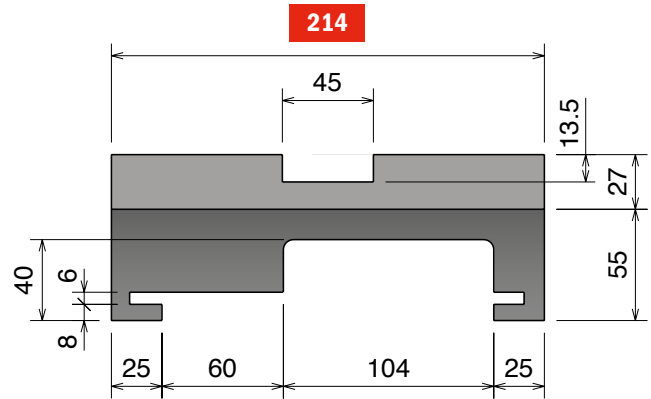
Chain Reference 880 M - K750 881 M - K750

Curva Larghezza Base = 214 mm
 Curve Basic Width = 214 mm
 Kurve Basisbreite = 214 mm

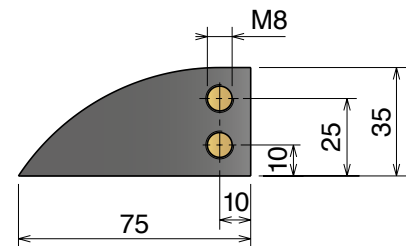


AVAILABLE ALSO
 15° 30° 45°
 60° 75°

IN & OUT
 AVAILABLE ALSO
 125 mm - 100 mm - 50 mm




Available in
BluLub®



Upper part available, on request,
 also in **BluLub®**
 and for abrasive applications.

Magnetic System

Part	Article-Nr.	Tracks	W	R	Material
707	70716610	1	214	750	 Standard codes on table
707	70718610	1	214	860	
707	70719610	1	214	1000	

add "B" for
BluLub®

add "C"
 for abrasive

Part	Article-Nr.	Tracks	W	R	Material
707	70716610RS	1	214	750	 RS add "RS" for RS-version
707	70718610RS	1	214	860	
707	70719610RS	1	214	1000	

882-8857 K750 M81 Series

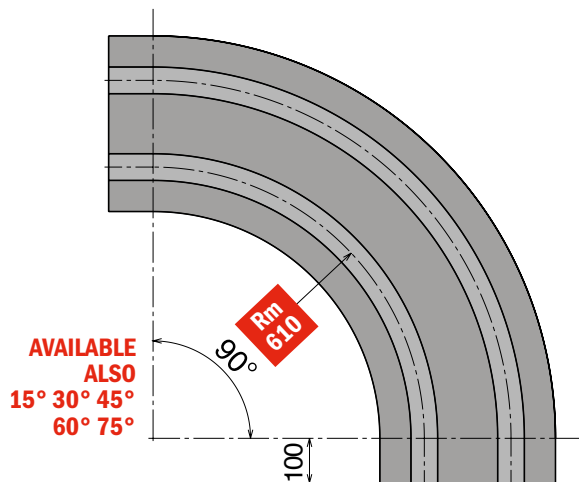
Chain Reference

882 M - K750

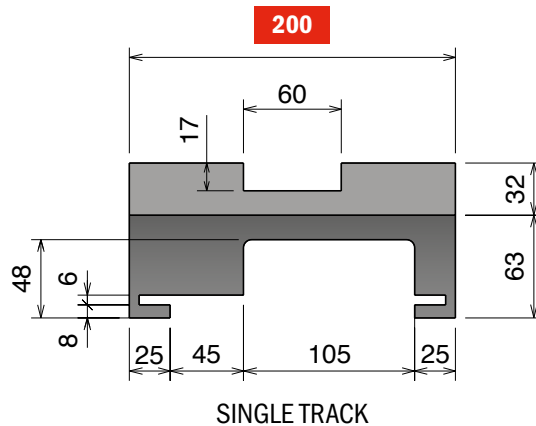
Curva Larghezza Base = 200 mm; Passo = 195 mm

Curve Basic Width = 200 mm; Pitch = 195 mm

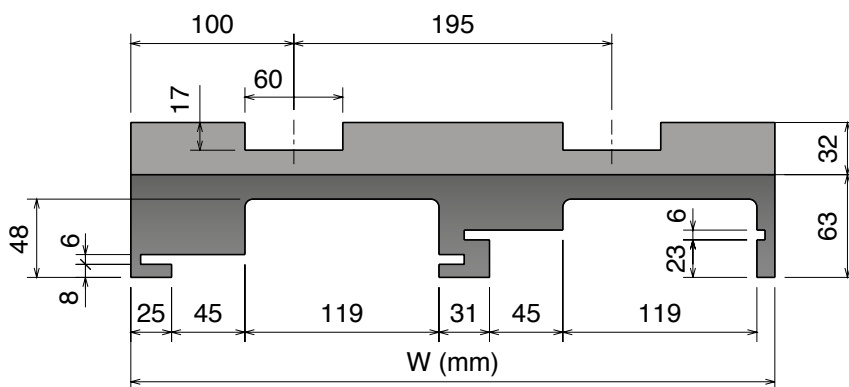
Kurve Basisbreite = 200 mm; Teilung = 195 mm



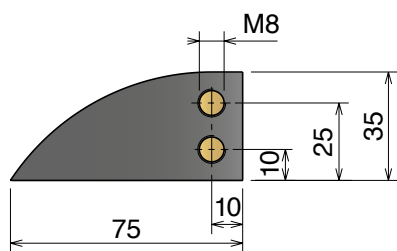
IN & OUT
 AVAILABLE ALSO
 125 mm - 50 mm - without



SINGLE TRACK



MULTI TRACK



Upper part available, on request,
 also in **BluLub**®
 and for abrasive applications.

Magnetic System

Part	Article-Nr.	Tracks	W	Material
717	71713614	1	200	Standard codes on table
717	71713624	2	395	
717	71713634	3	590	add "B" for BluLub®
717	71713644	4	785	



Available in **BluLub**®



Part	Article-Nr.	Tracks	W	Material
717	71713614RS	1	200	add "RS" for RS-version
717	71713624RS	2	395	
717	71713634RS	3	590	
717	71713644RS	4	785	



882-8857 K750 M85 Series

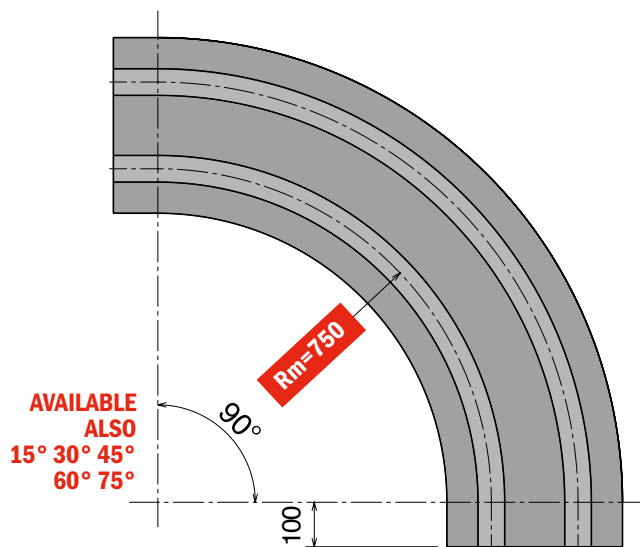
Curve magnetiche, Tab & Bevel / Magnetic, Tab & Bevel corner tracks / Kurvenführungen Magnet, Tab & Bevel Version

Materiale / Material / Materialien:
 Polietilene UHMW-PE
 Polyethylene UHMW-PE
 Polyäthylen UHMW-PE

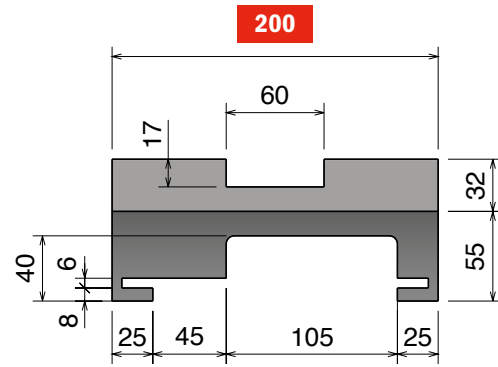
882-8857 K750 M85 Series

Chain Reference 882 M - K750 8857 M - K750

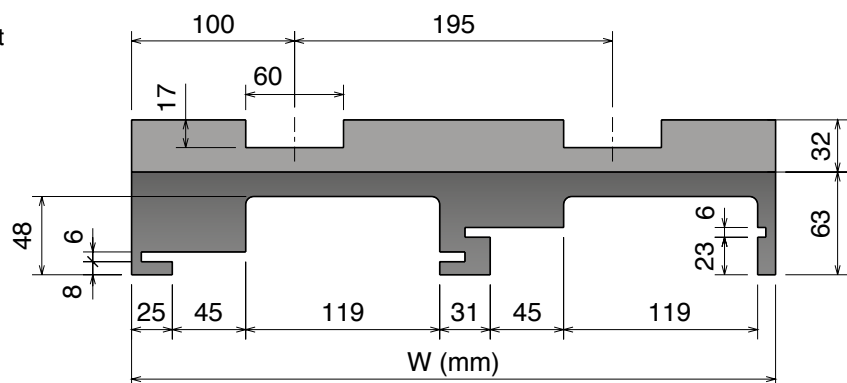
Curva Larghezza Base = 200 mm; Passo = 195 mm
 Curve Basic Width = 200 mm; Pitch = 195 mm
 Kurve Basisbreite = 200 mm; Teilung = 195 mm



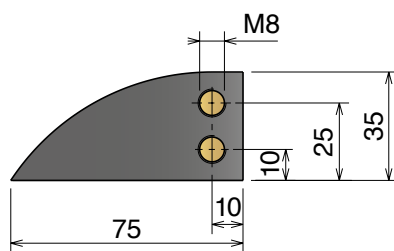
IN & OUT
 AVAILABLE ALSO
 125 mm - 50 mm - without



SINGLE TRACK




MULTI TRACK



Available in
BluLub®

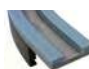
Magnetic System

Upper part available, on request,
 also in **BluLub®**
 and for abrasive applications.

Part	Article-Nr.	Tracks	W	Material
718	71816614	1	200	 Standard codes on table
718	71816624	2	395	
718	71816634	3	590	

add "B" for
BluLub®

add "C"
 for abrasive

Part	Article-Nr.	Tracks	W	Material
718	71816614RS	1	200	 RS add "RS" for RS-version
718	71816624RS	2	395	
718	71816634RS	3	590	

882-8857 K750 M86 Series

Chain Reference

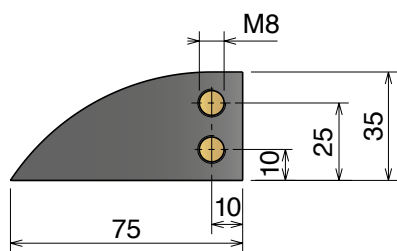
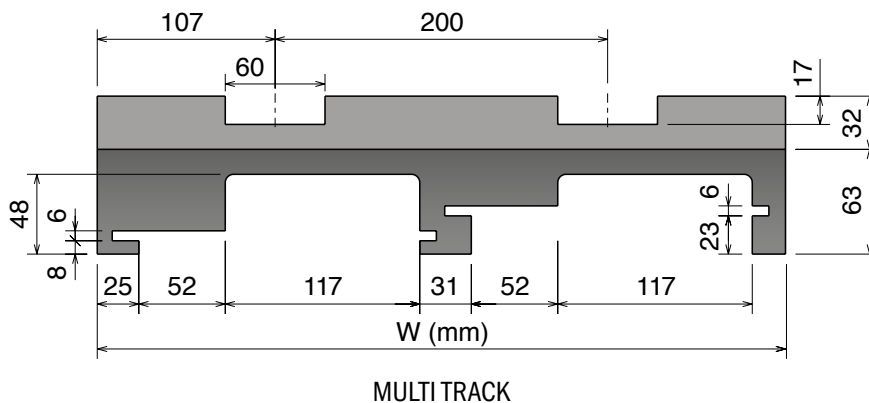
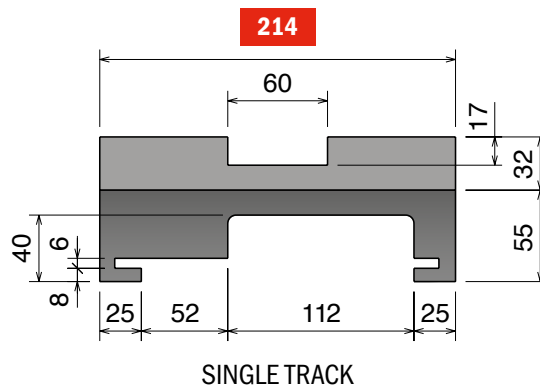
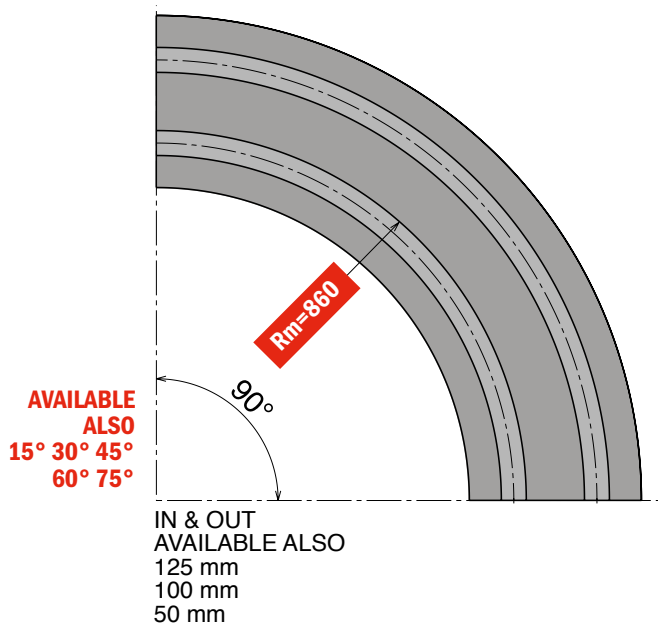
882 M - K750

8857 M - K750

Curva Larghezza Base = 214 mm; Passo = 200 mm

Curve Basic Width = 214 mm; Pitch = 200 mm


Kurve Basisbreite = 214 mm; Teilung = 200 mm



Available in
BluLub®

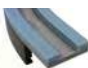
Upper part available, on request,
 also in **BluLub®**
 and for abrasive applications.

Magnetic System

Part	Article-Nr.	Tracks	W	Material
708	70818610	1	214	 Standard codes on table
708	70818620	2	414	
708	70818630	3	614	

add "B" for
BluLub®

add "C"
 for abrasive

Part	Article-Nr.	Tracks	W	Material
708	70818610RS	1	214	 RS add "RS" for RS-version
708	70818620RS	2	414	
708	70818630RS	3	614	

882-8857 K750 M80 Series

Curve magnetische, Tab & Bevel / Magnetic, Tab & Bevel corner tracks / Kurvenführungen Magnet, Tab & Bevel Version

Materiale / Material / Materialien:
 Polietilene UHMW-PE
 Polyethylene UHMW-PE
 Polyäthylen UHMW-PE

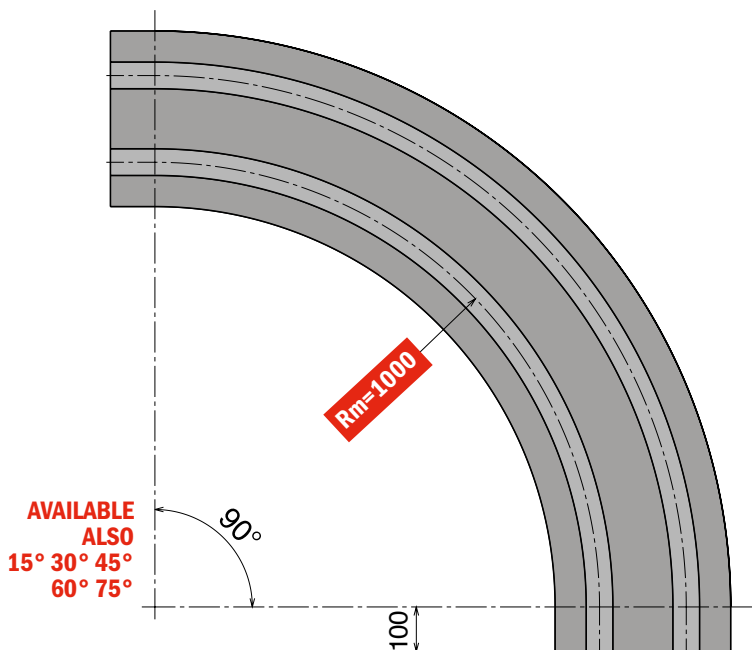
882-8857 K750 M80 Series

Chain Reference 882 M - K750 8857 M - K750

Curva Larghezza Base = 200 mm; Passo = 195 mm

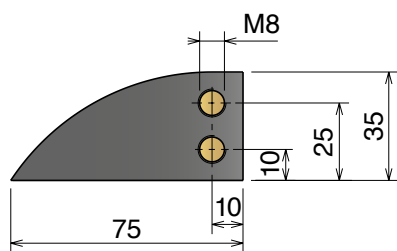
Curve Basic Width = 200 mm; Pitch = 195 mm

Kurve Basisbreite = 200 mm; Teilung = 195 mm

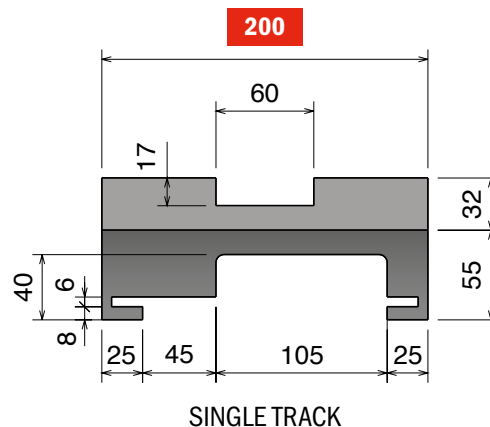


AVAILABLE ALSO
 15° 30° 45°
 60° 75°

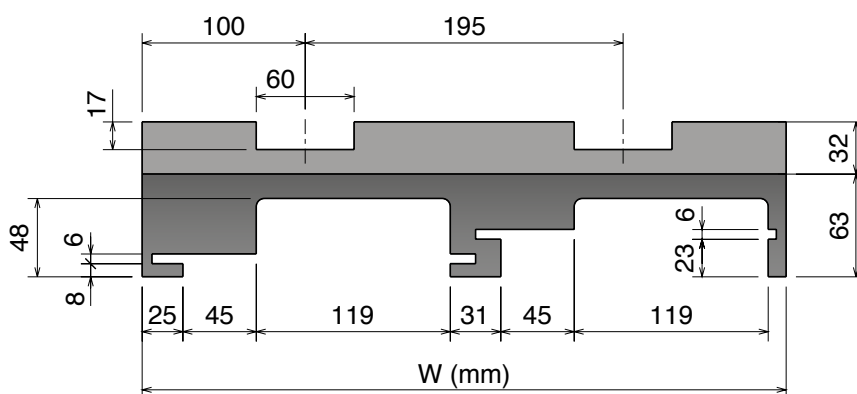
IN & OUT
 AVAILABLE ALSO
 125 mm - 50 mm - without



Available in
BluLub®




SINGLE TRACK



MULTI TRACK

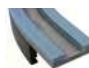
Magnetic System

Upper part available, on request, also in **BluLub®** and for abrasive applications.

Part	Article-Nr.	Tracks	W	Material
719	71919614	1	200	 Standard codes on table
719	71919624	2	395	
719	71919634	3	590	

add "B" for **BluLub®**

add "C" for abrasive

Part	Article-Nr.	Tracks	W	Material
719	71919614RS	1	200	 RS add "RS" for RS-version
719	71919624RS	2	395	
719	71919634RS	3	590	

882-8857 K1000 M93/M94 Series

Chain Reference

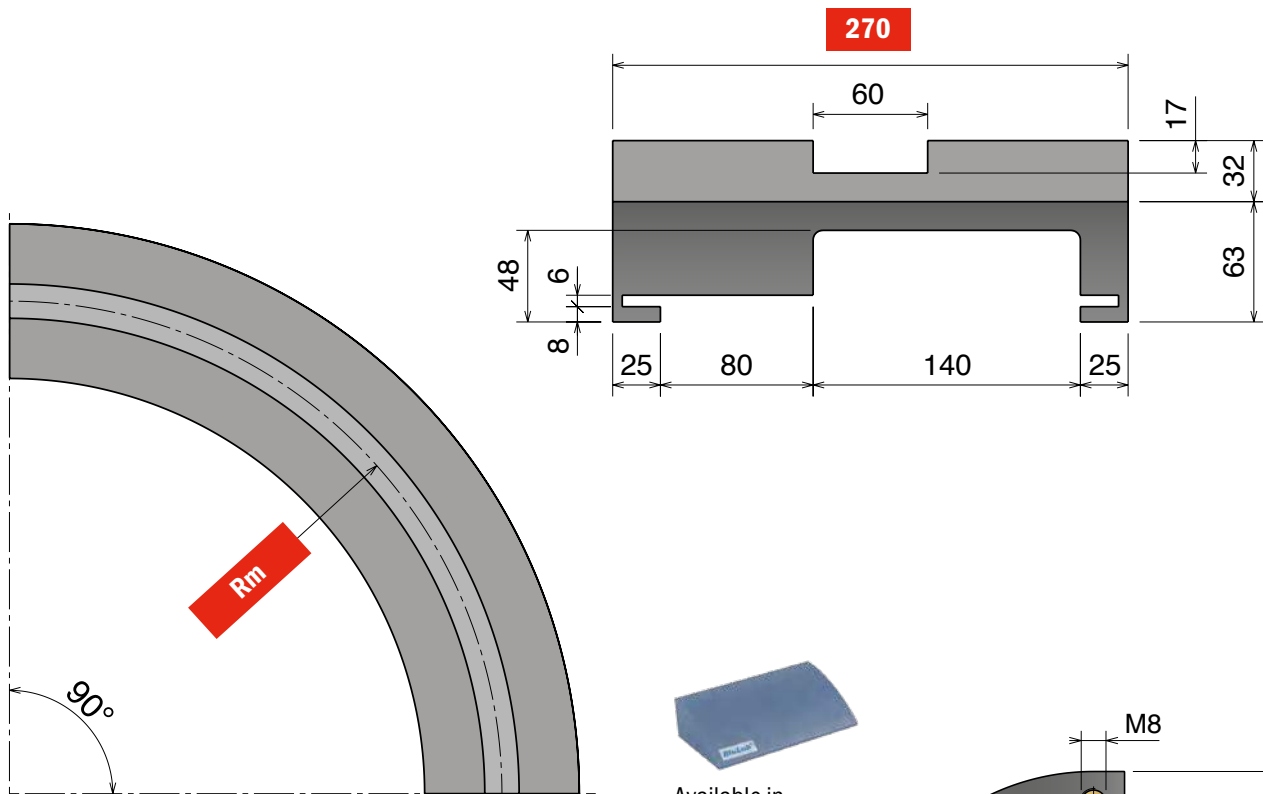
882 M - K1000

8857 M - K1000

Curva Larghezza Base = 270 mm

Curve Basic Width = 270 mm

Kurve Basisbreite = 270 mm

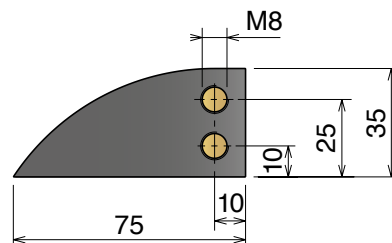


AVAILABLE ALSO
 15° 30° 45°
 60° 75°

IN & OUT
 AVAILABLE ALSO
 125 mm - 100 mm - 50 mm




Available in
BluLub®



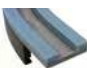
Magnetic System

Upper part available, on request,
 also in **BluLub®**
 and for abrasive applications.

Part	Article-Nr.	Tracks	Rm	W	Material
709	70918610	1	860	270	 Standard codes on table
709	70919610	1	1000	270	

add "**B**" for **BluLub®**

add "**C**" for abrasive

Part	Article-Nr.	Tracks	Rm	W	Material
709	70918610RS	1	860	270	 RS add " RS " for RS-version
709	70919610RS	1	1000	270	

882-8857 K1200 M97/M98 Series

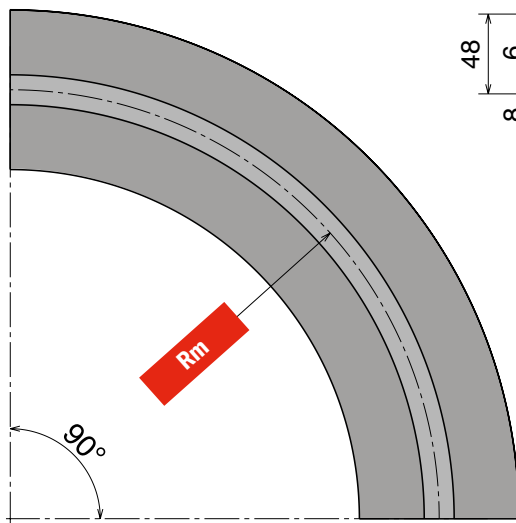
Curve magnetiche, Tab & Bevel / Magnetic, Tab & Bevel corner tracks / Kurvenführungen Magnet, Tab & Bevel Version

Materiale / Material / Materialien:
 Polietilene UHMW-PE
 Polyethylene UHMW-PE
 Polyäthylen UHMW-PE

882-8857 K1200 M97/M98 Series

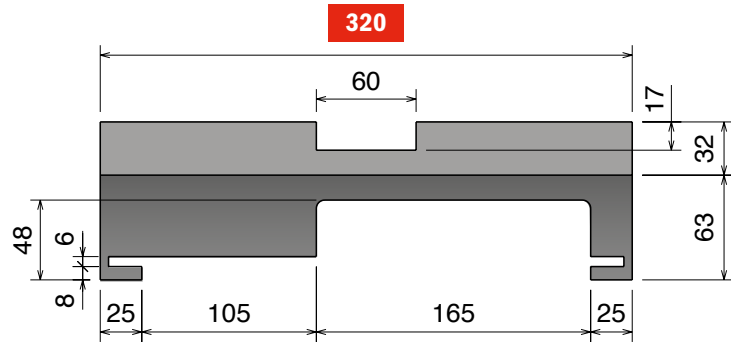
Chain Reference 882 M - K1200

Curva Larghezza Base = 320 mm
 Curve Basic Width = 320 mm
 Kurve Basisbreite = 320 mm

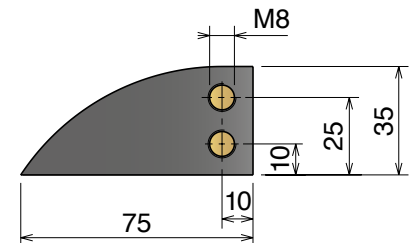


AVAILABLE
ALSO
 15° 30° 45°
 60° 75°

IN & OUT
 AVAILABLE ALSO
 125 mm - 100 mm - 50 mm




Available in
BluLub®




Magnetic System


Upper part available, on request,
 also in **BluLub®**
 and for abrasive applications.

Part	Article-Nr.	Tracks	Rm	W	Material
710	71018610	1	860	320	 Standard codes on table
710	71019610	1	1000	320	

add "**B**" for **BluLub®**

add "**C**" for abrasive

Part	Article-Nr.	Tracks	Rm	W	Material
710	71018610RS	1	860	320	 RS add " RS " for RS-version
710	71019610RS	1	1000	320	

 **Materiale / Material / Materialien:**
 Polietilene UHMW-PE
 Polyethylene UHMW-PE
 Polyäthylen UHMW-PE

LBP 882 K750 MP861 Series

Curve magnetiche, Tab & Bevel / Magnetic, Tab & Bevel corner tracks / Kurvenführungen Magnet, Tab & Bevel Version

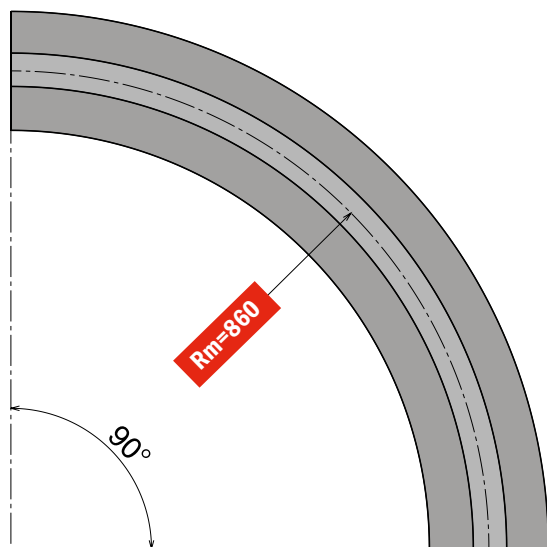
LBP 882 K750 MP861 Series

Chain Reference LBP 882 M - K750

Curva Larghezza Base = 214 mm

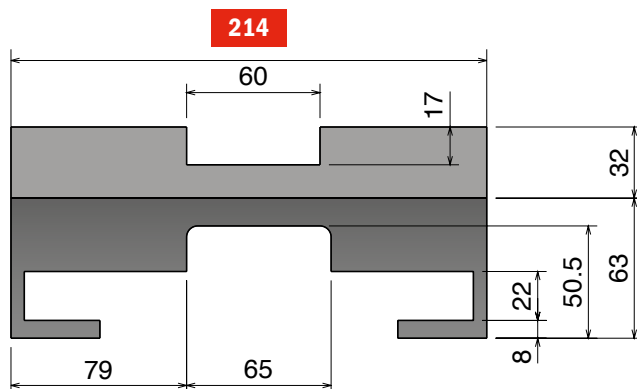
Curve Basic Width = 214 mm

Kurve Basisbreite = 214 mm

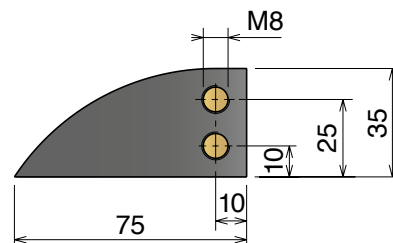


AVAILABLE
ALSO
 15° 30° 45°
 60° 75°

IN & OUT
 AVAILABLE ALSO
 125 mm - 100 mm - 50 mm



Available in **BluLub**®



Magnetic System

Upper part available, on request, also in **BluLub**® and for abrasive applications.

Part	Article-Nr.	Tracks	W	Material
781	78118610	1	214	Standard codes on table



add "B" for **BluLub**®

add "C" for abrasive

Part	Article-Nr.	Tracks	W	Material
781	78118610RS	1	270	RS



add "RS" for RS-version

LBP 882 K1000 MP931/MP941 Series

Curve magnetiche, Tab & Bevel / Magnetic, Tab & Bevel corner tracks / Kurvenführungen Magnet, Tab & Bevel Version

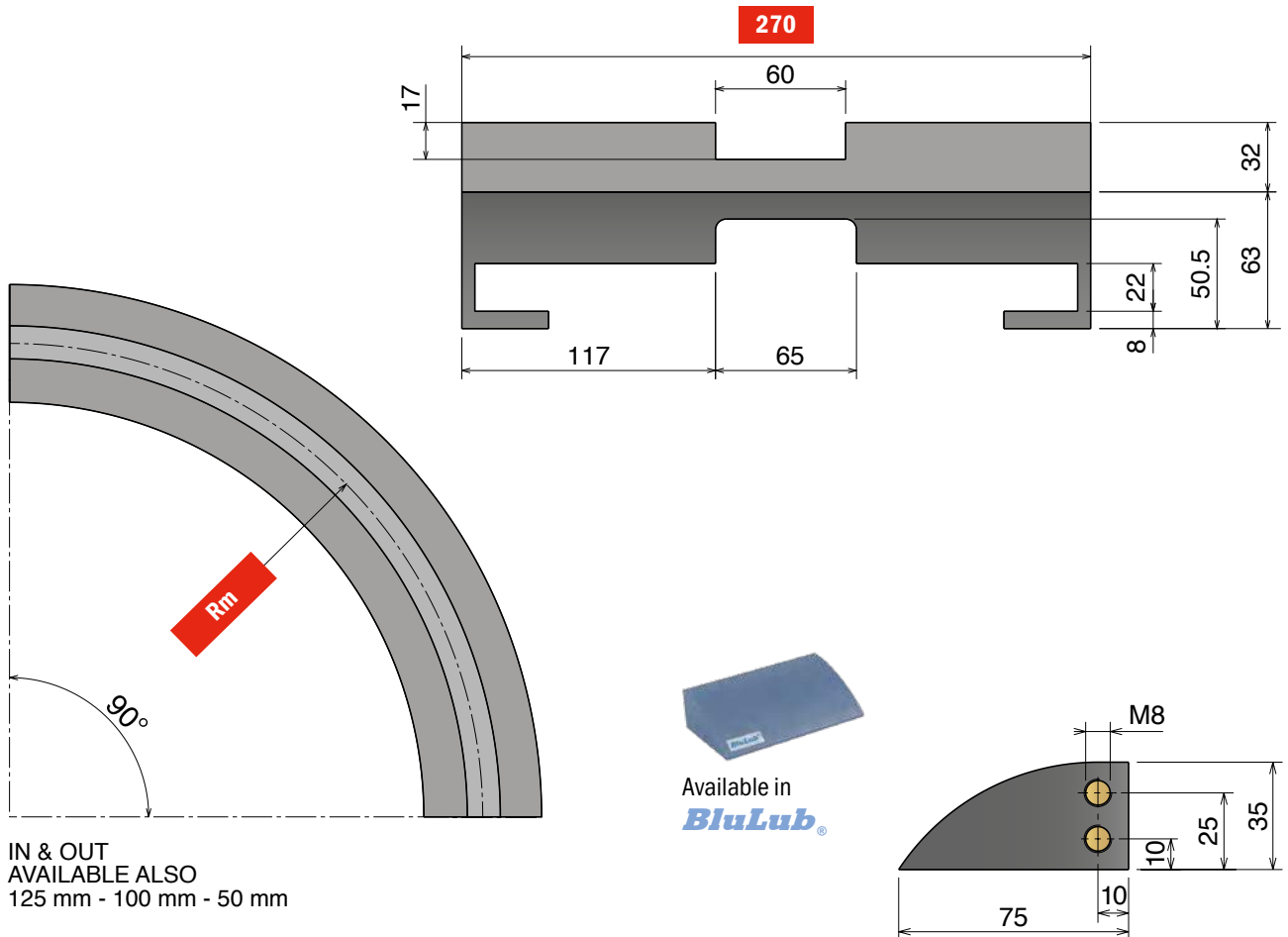
Materiale / Material / Materialien:
 Polietilene UHMW-PE
 Polyethylene UHMW-PE
 Polyäthylen UHMW-PE

LBP 882 K1000 MP931/MP941 Series

Chain Reference

LBP 882 M - K1000

Curva Larghezza Base = 270 mm
 Curve Basic Width = 270 mm
 Kurve Basisbreite = 270 mm



IN & OUT
 AVAILABLE ALSO
 125 mm - 100 mm - 50 mm

Magnetic System

Upper part available, on request,
 also in **BluLub®**
 and for abrasive applications.

MP931 Series

Part	α 15°	α 30°	α 45°	α 60°	α 75°	α 90°	Tracks	R	W
784	78418110	78418210	78418310	78418410	78418510	78418610	1	860	270
Material	Standard codes on table		add "B" for BluLub®		add "C" for abrasive		add "RS" for RS -version		

MP941 Series

Part	α 15°	α 30°	α 45°	α 60°	α 75°	α 90°	Tracks	R	W
784	78419110	78419210	78419310	78419410	78419510	78419610	1	1000	270
Material	Standard codes on table		add "B" for BluLub®		add "C" for abrasive		add "RS" for RS -version		

Materiale / Material / Materialien:
 Polietilene UHMW-PE
 Polyethylene UHMW-PE
 Polyäthylen UHMW-PE

LBP 882 K1000 MP91 Series

Curve magnetiche, Tab & Bevel / Magnetic, Tab & Bevel corner tracks / Kurvenführungen Magnet, Tab & Bevel Version

LBP 882 K1000 MP91 Series

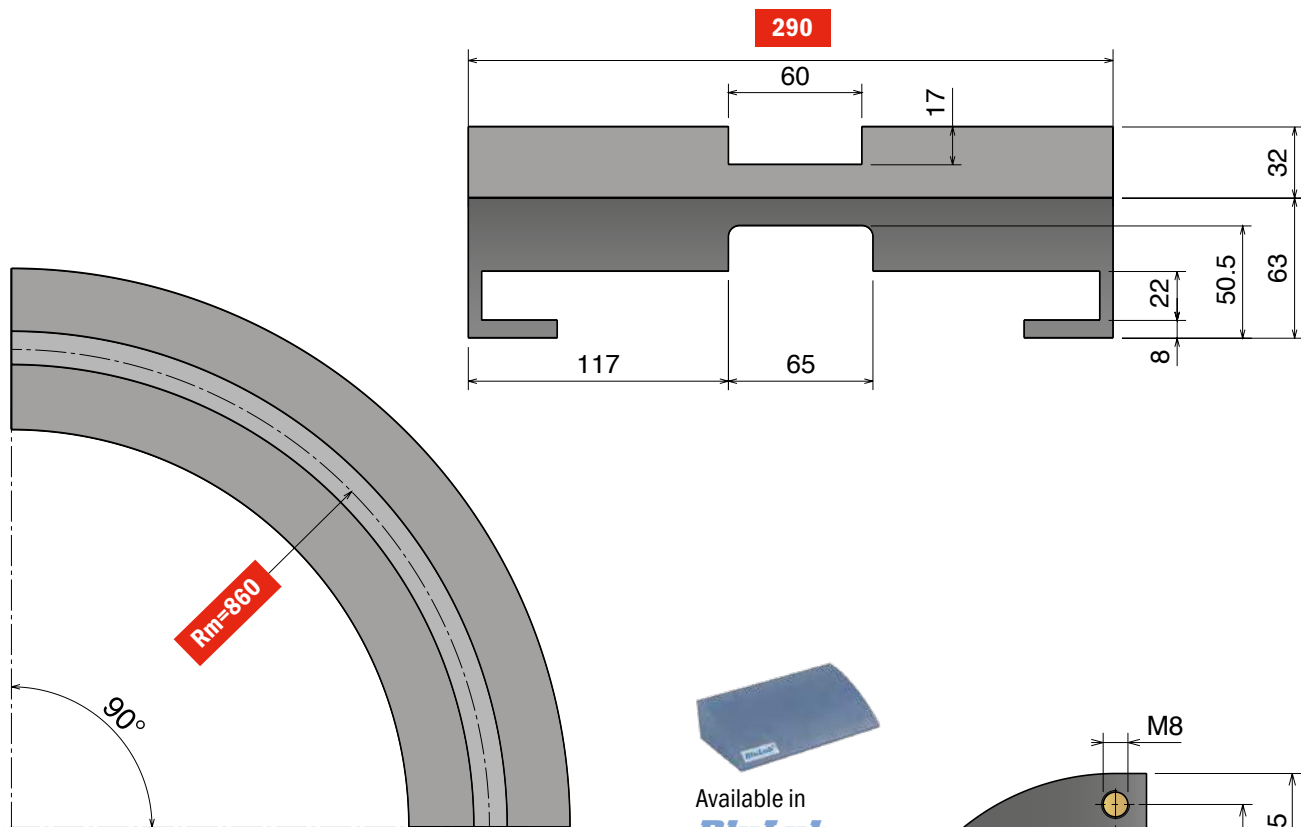
Chain Reference

LBP 882 M - K1000

Curva Larghezza Base = 290 mm

Curve Basic Width = 290 mm

Kurve Basisbreite = 290 mm

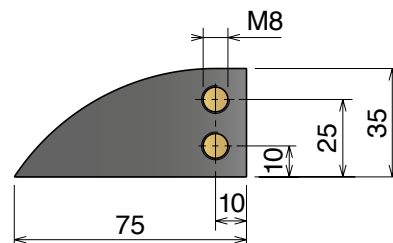


AVAILABLE
 ALSO
 15° 30° 45°
 60° 75°

IN & OUT
 AVAILABLE ALSO
 125 mm - 100 mm - 50 mm




Available in
BluLub®



Magnetic System

Upper part available, on request,
 also in **BluLub®**
 and for abrasive applications.

Part	Article-Nr.	Tracks	W	Material
782	78218610	1	290	 Standard codes on table

add "**B**" for
BluLub®

add "**C**"
 for abrasive

Part	Article-Nr.	Tracks	W	Material
782	78218610RS	1	290	 RS

add "**RS**" for
 RS-version

LBP 882 K1200 MP971/MP981 Series

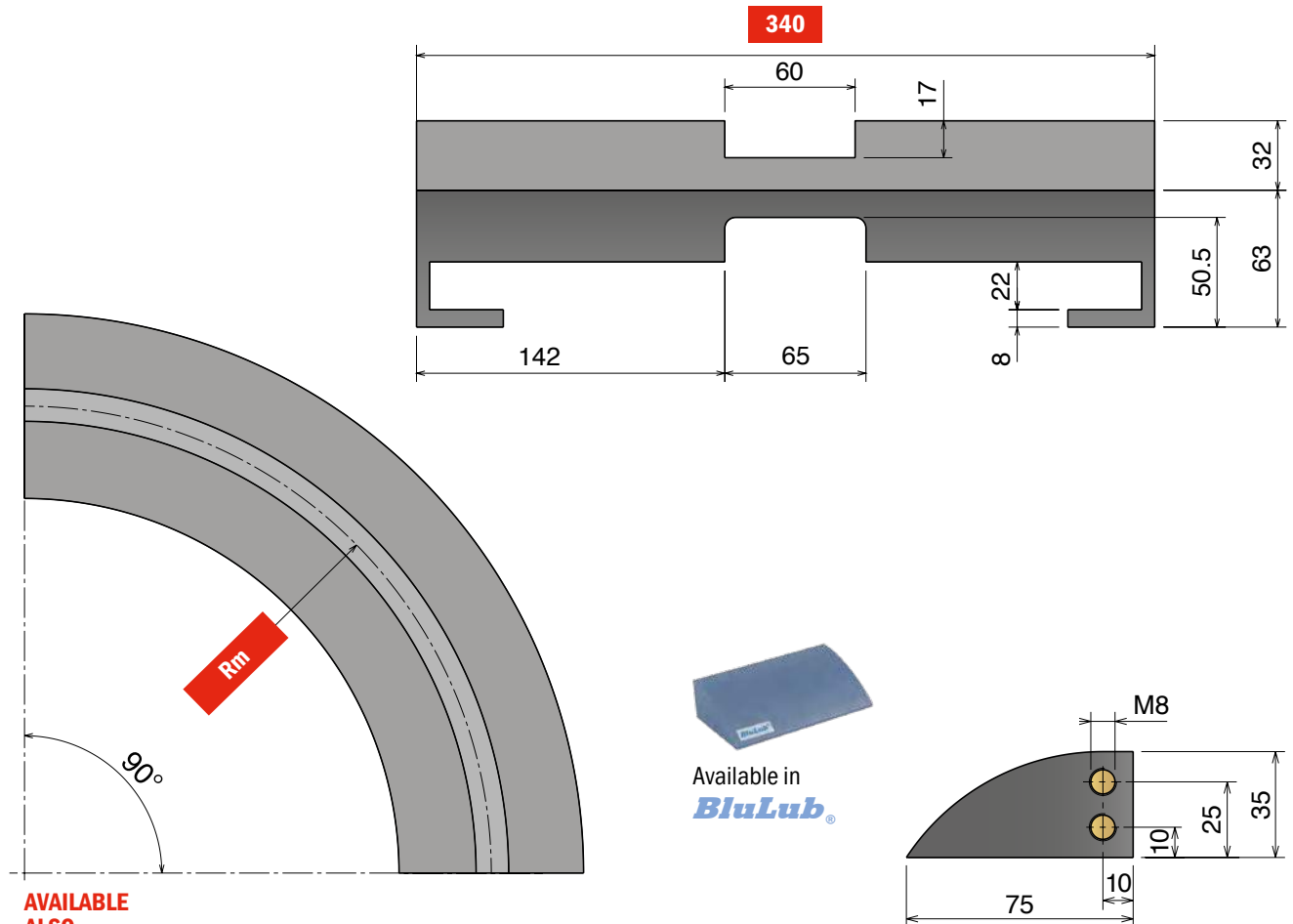
Curve magnetiche, Tab & Bevel / Magnetic, Tab & Bevel corner tracks / Kurvenführungen Magnet, Tab & Bevel Version

Materiale / Material / Materialien:
 Polietilene UHMW-PE
 Polyethylene UHMW-PE
 Polyäthylen UHMW-PE

LBP 882 K1200 MP971/MP981 Series

Chain Reference LBP 882 M - K1200

Curva Larghezza Base = 340 mm
 Curve Basic Width = 340 mm
 Kurve Basisbreite = 340 mm




AVAILABLE ALSO
 15° 30° 45°
 60° 75°

IN & OUT
 AVAILABLE ALSO
 125 mm - 100 mm - 50 mm

Available in
BluLub®

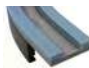
Upper part available, on request,
 also in **BluLub®**
 and for abrasive applications.

Magnetic System

Part	Article-Nr.	Tracks	Rm	W	Material
783	78318610	1	860	340	 Standard codes on table
783	78319610	1	1000	340	

add "B" for **BluLub®**

add "C" for abrasive

Part	Article-Nr.	Tracks	Rm	W	Material
783	78318610RS	1	860	340	 RS add "RS" for RS-version
783	78319610RS	1	1000	340	

260 M MB7 Series

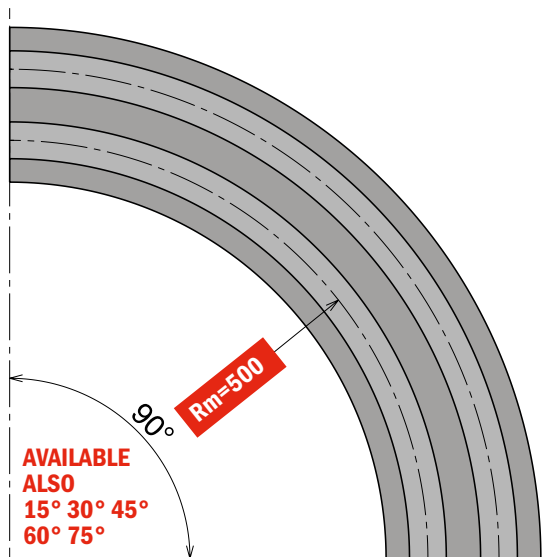
Chain Reference

260 M - K330

Curva Larghezza Base = 100 mm; Passo = 85 mm

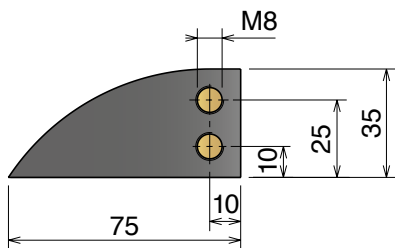
Curve Basic Width = 100 mm; Pitch = 85 mm

Kurve Basisbreite = 100 mm; Teilung = 85 mm

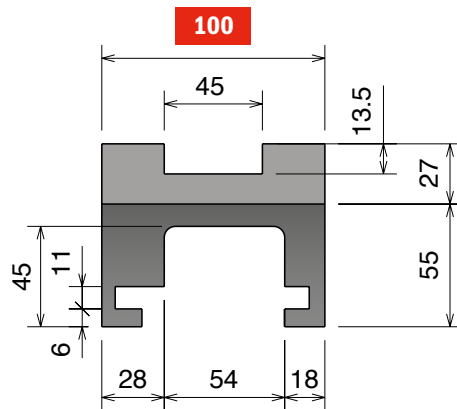


IN & OUT
 AVAILABLE ALSO
 125 mm - 100 mm - 50 mm

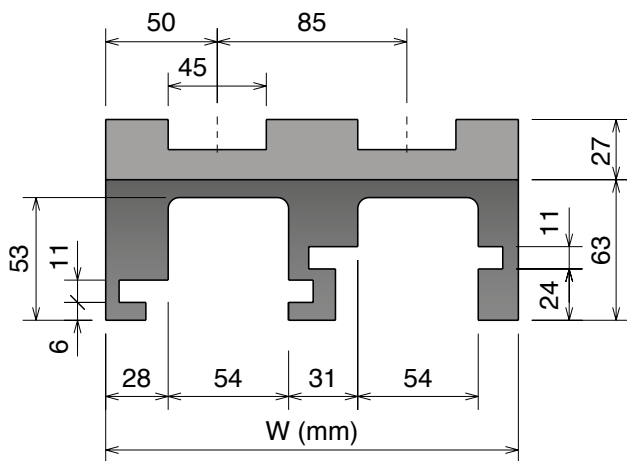
85



Available in
BluLub®



SINGLE TRACK



MULTI TRACK

Upper part available, on request,
 also in **BluLub®**
 and for abrasive applications.

Magnetic System

Part	Article-Nr.	Tracks	W	Material
705	70511610	1	100	Standard codes on table
705	70511620	2	185	
705	70511630	3	270	add "B" for BluLub®
705	70511640	4	355	
705	70511650	5	440	add "C" for abrasive
705	70511660	6	525	
705	70511670	7	610	
705	70511680	8	695	

Part	Article-Nr.	Tracks	W	Material
705	70511610RS	1	100	add "RS" for RS-version
705	70511620RS	2	185	
705	70511630RS	3	270	
705	70511640RS	4	355	
705	70511650RS	5	440	
705	70511660RS	6	525	
705	70511670RS	7	610	
705	70511680RS	8	695	

260 M MB6 Series

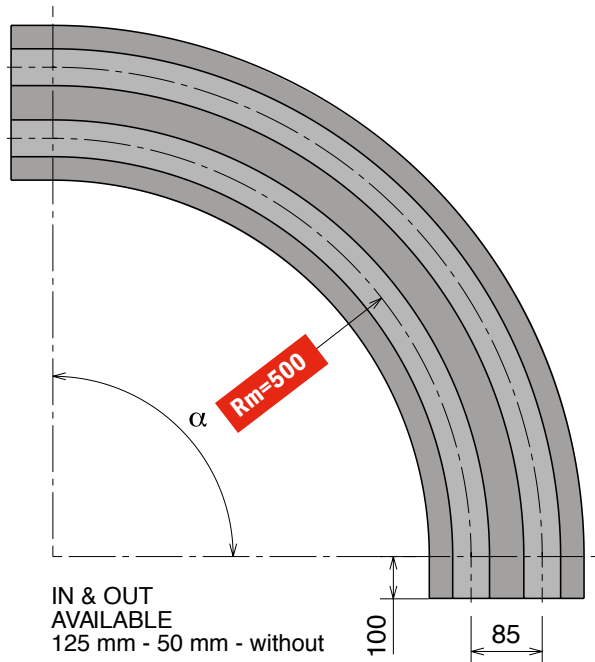
Curve magnetiche, Tab & Bevel / Magnetic, Tab & Bevel corner tracks / Kurvenführungen Magnet, Tab & Bevel Version

Materiale / Material / Materialien:
 Polietilene UHMW-PE
 Polyethylene UHMW-PE
 Polyäthylen UHMW-PE

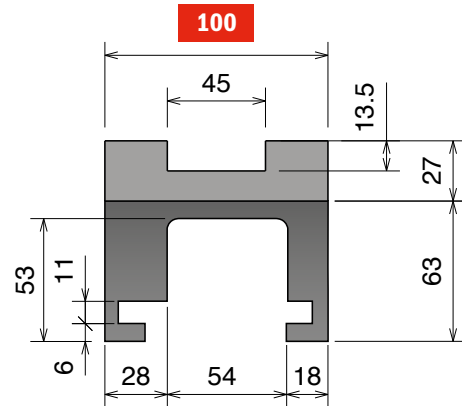
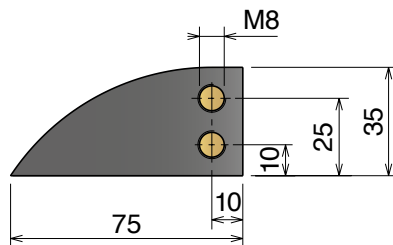
260 M MB6 Series

Chain Reference 260 M - K330

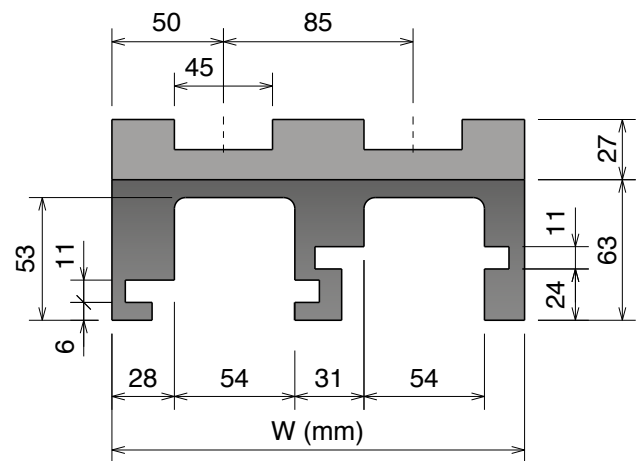
Curva Larghezza Base = 100 mm; Passo = 85 mm
 Curve Basic Width = 100 mm; Pitch = 85 mm
 Kurve Basisbreite = 100 mm; Teilung = 85 mm



Available in **BluLub**




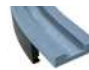

SINGLE TRACK

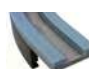


MULTI TRACK

Upper part available, on request, also in **BluLub** and for abrasive applications.

Magnetic System

Part	α 15°	α 30°	α 45°	α 60°	α 75°	α 90°	Tracks	W	Material
732	73211114	73211214	73211314	73211414	73211514	73211614	1	100	 Standard codes on table
732	73211124	73211224	73211324	73211424	73211524	73211624	2	185	
732	73211134	73211234	73211334	73211434	73211534	73211634	3	270	 add "B" for BluLub
732	73211144	73211244	73211344	73211444	73211544	73211644	4	355	
732	73211154	73211254	73211354	73211454	73211554	73211654	5	440	 add "C" for abrasive
732	73211164	73211264	73211364	73211464	73211564	73211664	6	525	
732	73211174	73211274	73211374	73211474	73211574	73211674	7	610	
732	73211184	73211284	73211384	73211484	73211584	73211684	8	695	

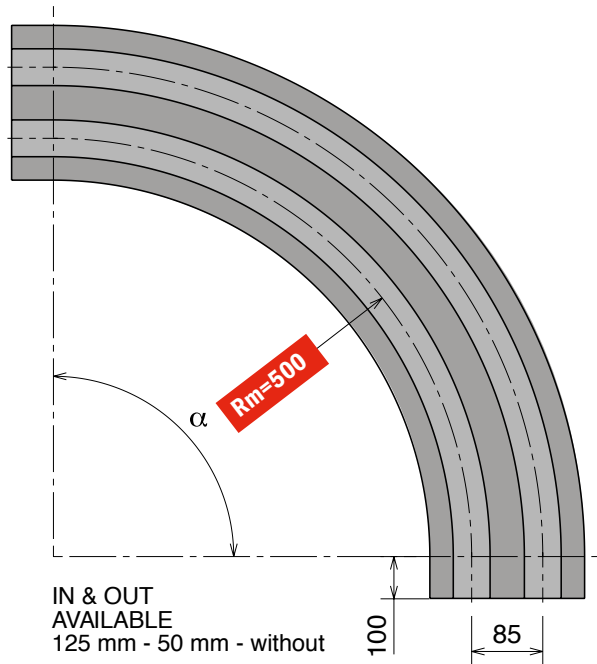
Part	α 15°	α 30°	α 45°	α 60°	α 75°	α 90°	Tracks	W	Material
732	73211114RS	73211214RS	73211314RS	73211414RS	73211514RS	73211614RS	1	100	 RS add "RS" for RS-version
732	73211124RS	73211224RS	73211324RS	73211424RS	73211524RS	73211624RS	2	185	
732	73211134RS	73211234RS	73211334RS	73211434RS	73211534RS	73211634RS	3	270	
732	73211144RS	73211244RS	73211344RS	73211444RS	73211544RS	73211644RS	4	355	
732	73211154RS	73211254RS	73211354RS	73211454RS	73211554RS	73211654RS	5	440	
732	73211164RS	73211264RS	73211364RS	73211464RS	73211564RS	73211664RS	6	525	
732	73211174RS	73211274RS	73211374RS	73211474RS	73211574RS	73211674RS	7	610	
732	73211184RS	73211284RS	73211384RS	73211484RS	73211584RS	73211684RS	8	695	

260 M MB4 Series

Chain Reference

260 M - K330

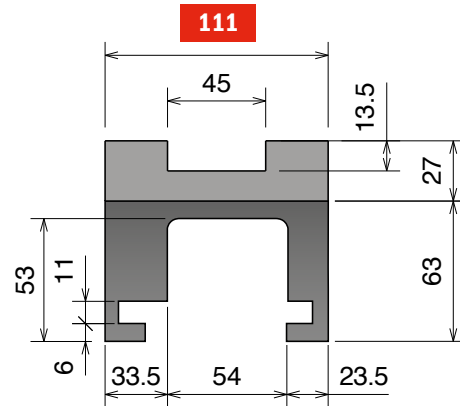
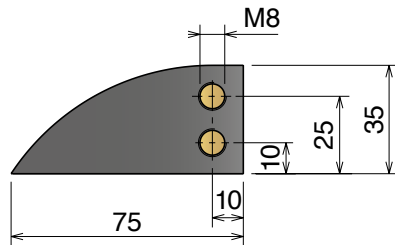
Curva Larghezza Base = 111 mm; Passo = 85 mm
 Curve Basic Width = 111 mm; Pitch = 85 mm
 Kurve Basisbreite = 111 mm; Teilung = 85 mm



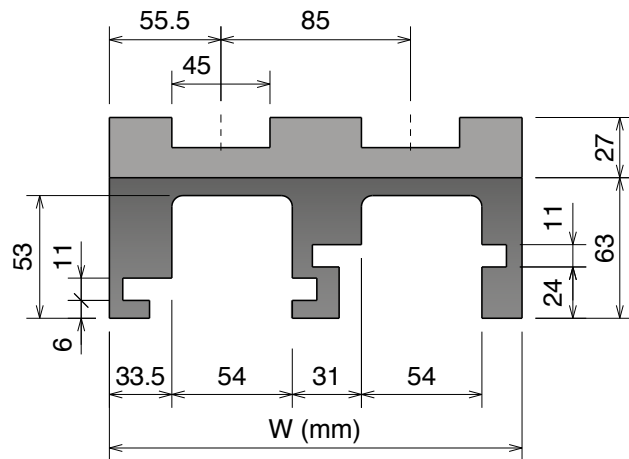
IN & OUT AVAILABLE
 125 mm - 50 mm - without



Available in
BluLub



SINGLE TRACK



MULTI TRACK

Magnetic System

Upper part available, on request,
 also in **BluLub**
 and for abrasive applications.

Part	α 15°	α 30°	α 45°	α 60°	α 75°	α 90°	Tracks	W	Material
733	73311114	73311214	73311314	73311414	73311514	73311614	1	111	Standard codes on table
733	73311124	73311224	73311324	73311424	73311524	73311624	2	196	
733	73311134	73311234	73311334	73311434	73311534	73311634	3	281	add "B" for BluLub
733	73311144	73311244	73311344	73311444	73311544	73311644	4	366	
733	73311154	73311254	73311354	73311454	73311554	73311654	5	451	add "C" for abrasive
733	73311164	73311264	73311364	73311464	73311564	73311664	6	536	
733	73311174	73311274	73311374	73311474	73311574	73311674	7	621	
733	73311184	73311284	73311384	73311484	73311584	73311684	8	706	

Part	α 15°	α 30°	α 45°	α 60°	α 75°	α 90°	Tracks	W	Material
733	73311114RS	73311214RS	73311314RS	73311414RS	73311514RS	73311614RS	1	111	add "RS" for RS-version
733	73311124RS	73311224RS	73311324RS	73311424RS	73311524RS	73311624RS	2	196	
733	73311134RS	73311234RS	73311334RS	73311434RS	73311534RS	73311634RS	3	281	
733	73311144RS	73311244RS	73311344RS	73311444RS	73311544RS	73311644RS	4	366	
733	73311154RS	73311254RS	73311354RS	73311454RS	73311554RS	73311654RS	5	451	
733	73311164RS	73311264RS	73311364RS	73311464RS	73311564RS	73311664RS	6	536	
733	73311174RS	73311274RS	73311374RS	73311474RS	73311574RS	73311674RS	7	621	
733	73311184RS	73311284RS	73311384RS	73311484RS	73311584RS	73311684RS	8	706	

260 M MB8 Series

Curve magnetiche, Tab & Bevel / Magnetic, Tab & Bevel corner tracks / Kurvenführungen Magnet, Tab & Bevel Version

Materiale / Material / Materialien:
 Polietilene UHMW-PE
 Polyethylene UHMW-PE
 Polyäthylen UHMW-PE

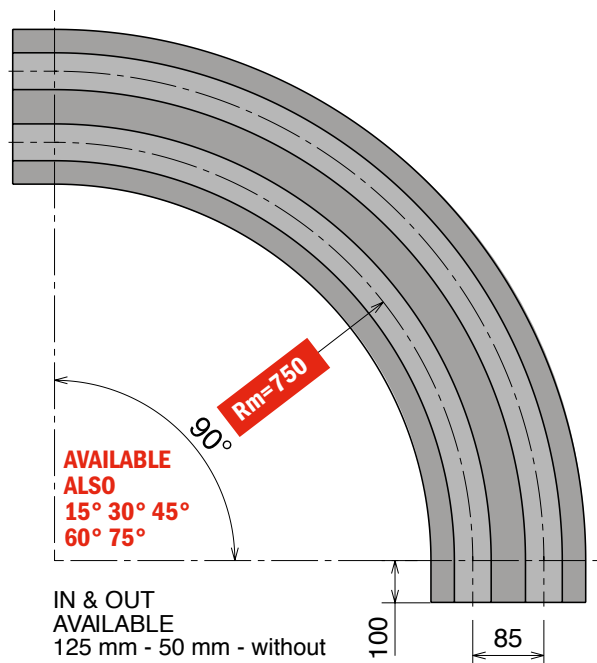
260 M MB8 Series

Chain Reference 260 M - K330

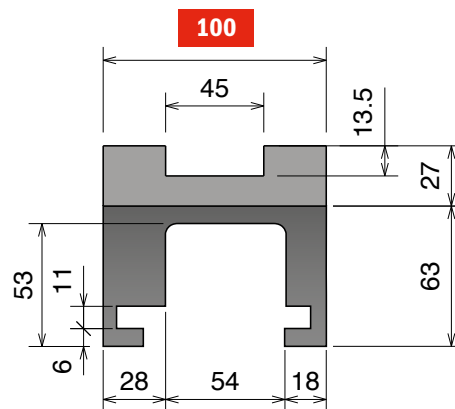
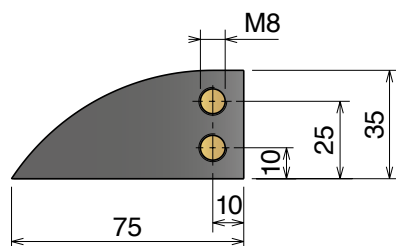
Curva Larghezza Base = 100 mm; Passo = 85 mm

Curve Basic Width = 100 mm; Pitch = 85 mm

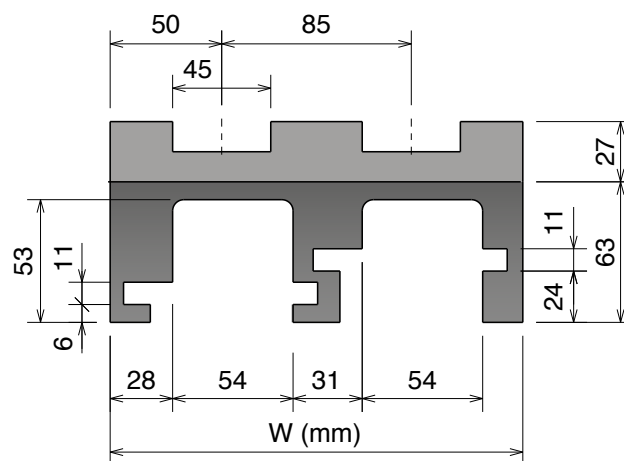
Kurve Basisbreite = 100 mm; Teilung = 85 mm



Available in **BluLub**




SINGLE TRACK



MULTI TRACK

Upper part available, on request, also in **BluLub** and for abrasive applications.

Magnetic System

Part	Article-Nr.	Tracks	W	Material
732	73216614	1	100	 Standard codes on table
732	73216624	2	185	
732	73216634	3	270	 add "B" for BluLub
732	73216644	4	355	
732	73216654	5	440	 add "C" for abrasive
732	73216664	6	525	
732	73216674	7	610	
732	73216684	8	695	

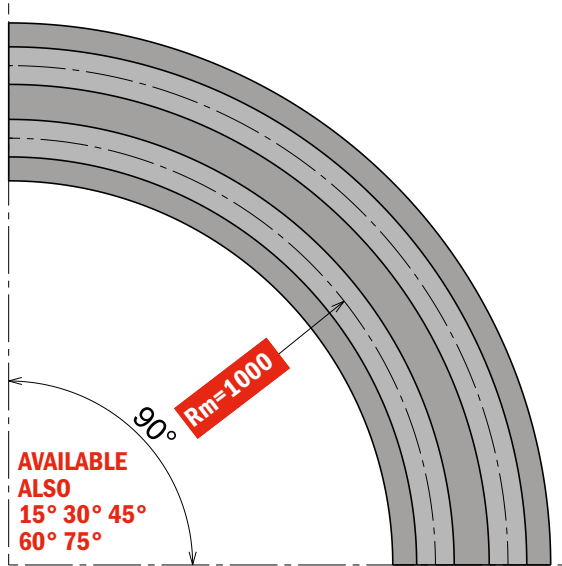
Part	Article-Nr.	Tracks	W	Material
732	73216614RS	1	100	 RS add "RS" for RS-version
732	73216624RS	2	185	
732	73216634RS	3	270	
732	73216644RS	4	355	
732	73216654RS	5	440	
732	73216664RS	6	525	
732	73216674RS	7	610	
732	73216684RS	8	695	

260 M MB5D Series

Chain Reference

260 M - K330

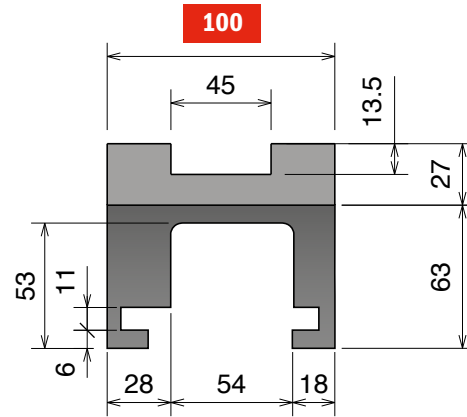
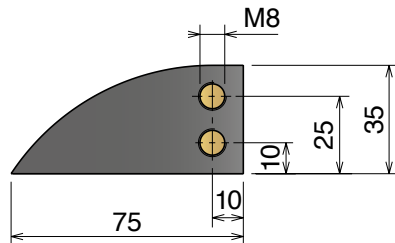
Curva Larghezza Base = 100 mm; Passo = 85 mm
 Curve Basic Width = 100 mm; Pitch = 85 mm
 Kurve Basisbreite = 100 mm; Teilung = 85 mm



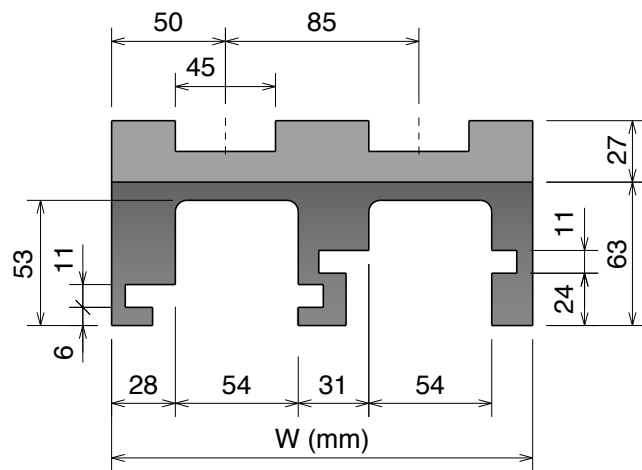
IN & OUT
 AVAILABLE ALSO
 125 mm - 100 mm - 50 mm



Available in
BluLub®



SINGLE TRACK



MULTI TRACK

Upper part available, on request,
 also in **BluLub®**
 and for abrasive applications.

Magnetic System

Part	Article-Nr.	Tracks	W	Material
732	73219610	1	100	Standard codes on table
732	73219620	2	185	
732	73219630	3	270	add "B" for BluLub®
732	73219640	4	355	
732	73219650	5	440	add "C" for abrasive
732	73219660	6	525	
732	73219670	7	610	
732	73219680	8	695	

Part	Article-Nr.	Tracks	W	Material
732	73219610RS	1	100	add "RS" for RS-version
732	73219620RS	2	185	
732	73219630RS	3	270	
732	73219640RS	4	355	
732	73219650RS	5	440	
732	73219660RS	6	525	
732	73219670RS	7	610	
732	73219680RS	8	695	

260 M K450 MB22 Series

Curve magnetiche, Tab & Bevel / Magnetic, Tab & Bevel corner tracks / Kurvenführungen Magnet, Tab & Bevel Version

Materiale / Material / Materialien:
 Polietilene UHMW-PE
 Polyethylene UHMW-PE
 Polyäthylen UHMW-PE

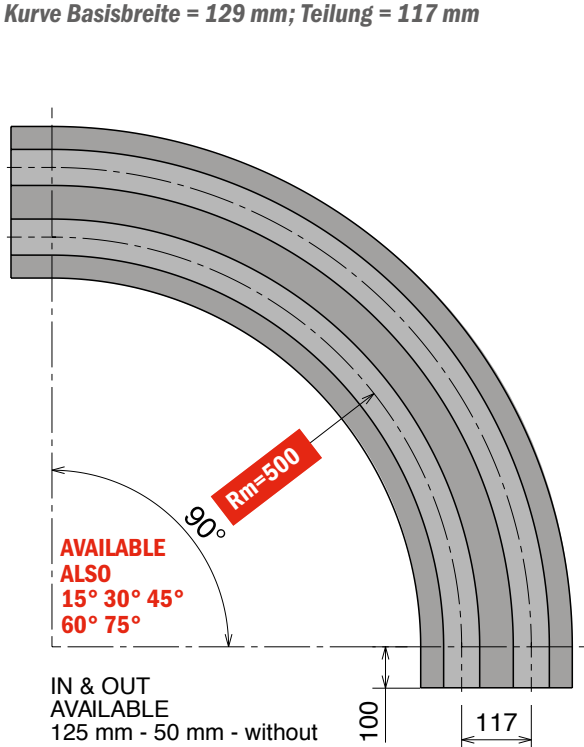
260 M K450 MB22 Series

Chain Reference 260 M - K450

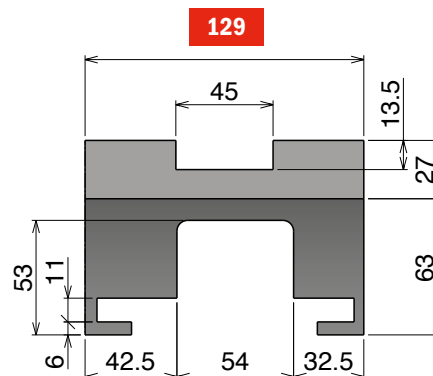
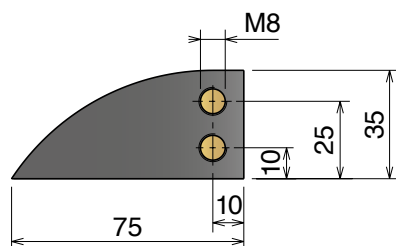
Curva Larghezza Base = 129 mm; Passo = 117 mm

Curve Basic Width = 129 mm; Pitch = 117 mm

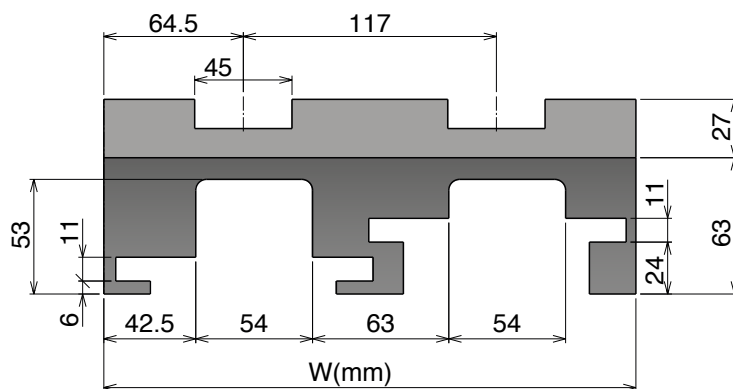
Kurve Basisbreite = 129 mm; Teilung = 117 mm



Available in
BluLub®




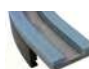
SINGLE TRACK



MULTI TRACK

Upper part available, on request,
 also in **BluLub®**
 and for abrasive applications.

Magnetic System

Part	Article-Nr.	Tracks	W	Material
734	73411614	1	129	 Standard codes on table add "B" for BluLub® add "C" for abrasive
734	73411624	2	246	
734	73411634	3	363	
734	73411644	4	480	
Part	Article-Nr.	Tracks	W	Material
734	73411614RS	1	129	 RS add "RS" for RS-version
734	73411624RS	2	246	
734	73411634RS	3	363	
734	73411644RS	4	480	

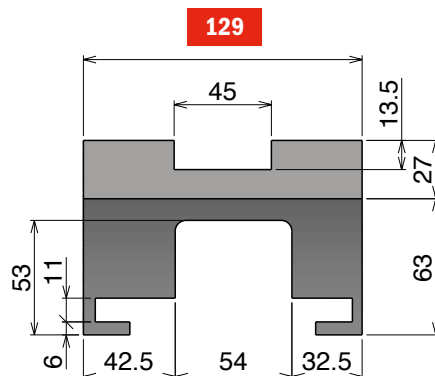
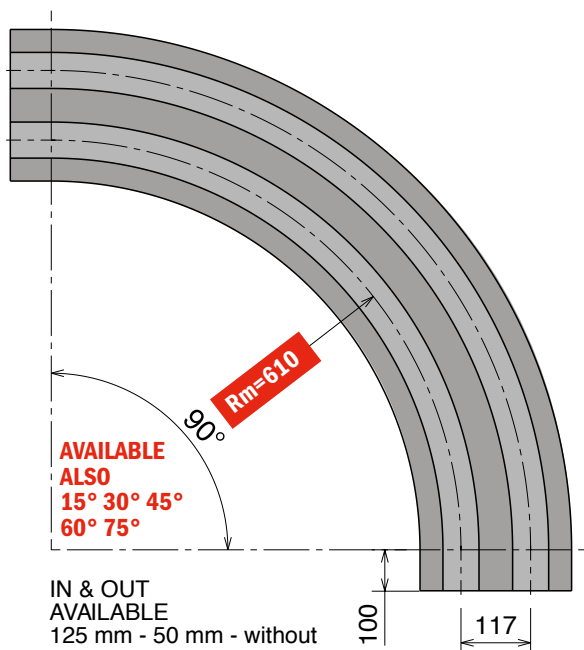
260 M K450 MB27 Series

Chain Reference 260 M - K450

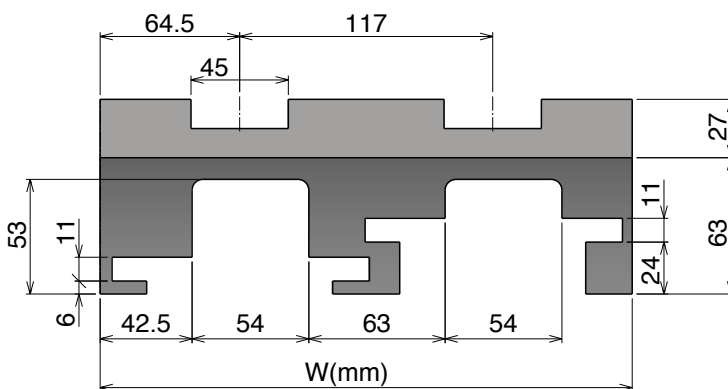
Curva Larghezza Base = 129 mm; Passo = 117 mm

Curve Basic Width = 129 mm; Pitch = 117 mm

Kurve Basisbreite = 129 mm; Teilung = 117 mm



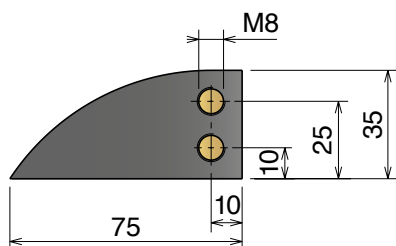
SINGLE TRACK



W(mm)
MULTI TRACK

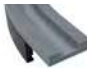
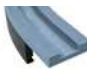



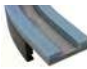
Available in
BluLub®



Magnetic System

Upper part available, on request,
also in **BluLub®**
and for abrasive applications.

Part	Article-Nr.	Tracks	W	Material
734	73413614	1	129	 Standard codes on table  add "B" for BluLub®  add "C" for abrasive
734	73413624	2	246	
734	73413634	3	363	
734	73413644	4	480	

Part	Article-Nr.	Tracks	W	Material
734	73413614RS	1	129	 RS add "RS" for RS-version
734	73413624RS	2	246	
734	73413634RS	3	363	
734	73413644RS	4	480	

261 M MC7 Series

Curve magnetiche, Tab & Bevel / Magnetic, Tab & Bevel corner tracks / Kurvenführungen Magnet, Tab & Bevel Version

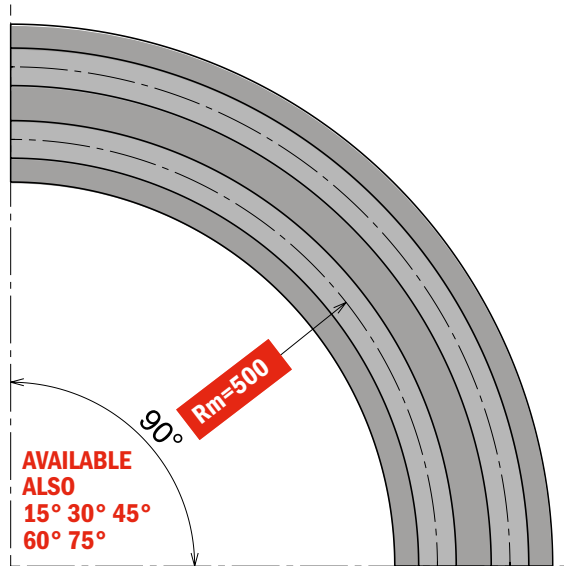
Materiale / Material / Materialien:
 Polietilene UHMW-PE
 Polyethylene UHMW-PE
 Polyäthylen UHMW-PE

261 M MC7 Series

Chain Reference

261 M - K330

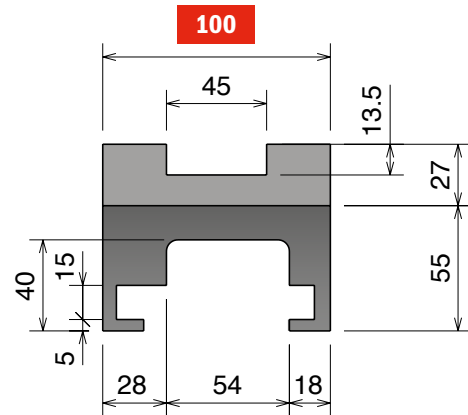
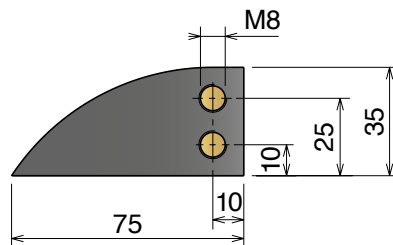
Curva Larghezza Base = 100 mm; Passo = 85 mm
 Curve Basic Width = 100 mm; Pitch = 85 mm
 Kurve Basisbreite = 100 mm; Teilung = 85 mm



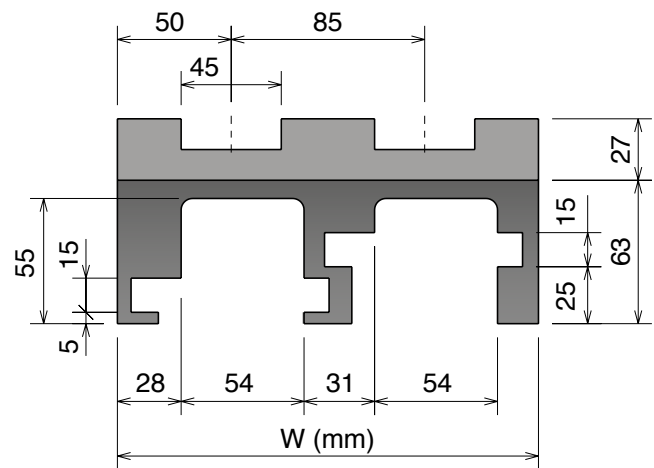
IN & OUT
 AVAILABLE ALSO
 125 mm - 100 mm - 50 mm



Available in
BluLub®



SINGLE TRACK



MULTI TRACK

Upper part available, on request,
 also in **BluLub®**
 and for abrasive applications.

Magnetic System

Part	Article-Nr.	Tracks	W	Material
706	70611610	1	100	Standard codes on table
706	70611620	2	185	
706	70611630	3	270	add "B" for BluLub®
706	70611640	4	355	
706	70611650	5	440	add "C" for abrasive
706	70611660	6	525	
706	70611670	7	610	
706	70611680	8	695	

Part	Article-Nr.	Tracks	W	Material
706	70611610RS	1	100	add "RS" for RS-version
706	70611620RS	2	185	
706	70611630RS	3	270	
706	70611640RS	4	355	
706	70611650RS	5	440	
706	70611660RS	6	525	
706	70611670RS	7	610	
706	70611680RS	8	695	

261 M MC6 Series

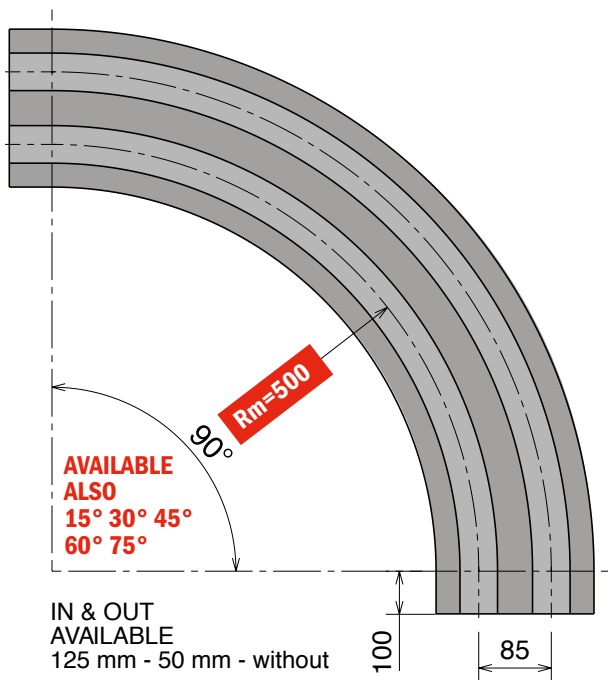
Chain Reference

261 M - K330

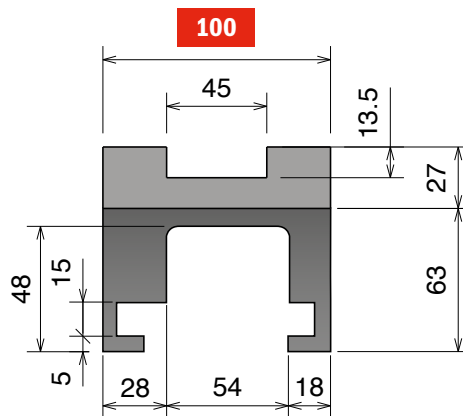
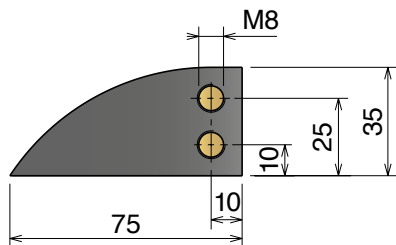
Curva Larghezza Base = 100 mm; Passo = 85 mm

Curve Basic Width = 100 mm; Pitch = 85 mm

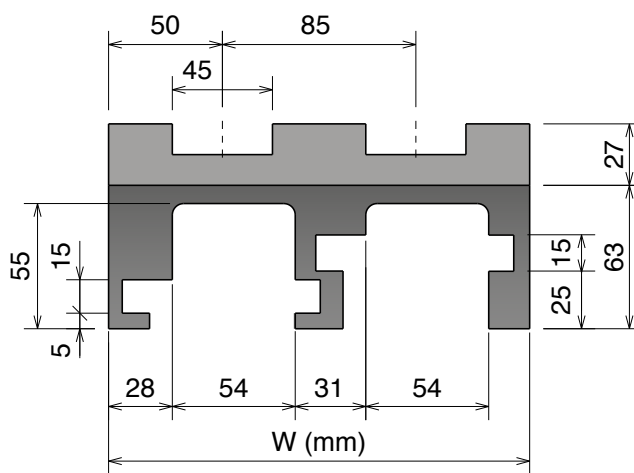
Kurve Basisbreite = 100 mm; Teilung = 85 mm



Available in **BluLub**®



SINGLE TRACK



MULTI TRACK

Magnetic System

Upper part available, on request, also in **BluLub**® and for abrasive applications.

Part	Article-Nr.	Tracks	W	Material
706	70611614	1	100	Standard codes on table
706	70611624	2	185	
706	70611634	3	270	add "B" for BluLub ®
706	70611644	4	355	
706	70611654	5	440	add "C" for abrasive
706	70611664	6	525	
706	70611674	7	610	
706	70611684	8	695	

Part	Article-Nr.	Tracks	W	Material
706	70611614RS	1	100	add "RS" for RS-version
706	70611624RS	2	185	
706	70611634RS	3	270	
706	70611644RS	4	355	
706	70611654RS	5	440	
706	70611664RS	6	525	
706	70611674RS	7	610	
706	70611684RS	8	695	

261 M MC4 Series

Curve magnetiche, Tab & Bevel / Magnetic, Tab & Bevel corner tracks / Kurvenführungen Magnet, Tab & Bevel Version

Materiale / Material / Materialien:
 Polietilene UHMW-PE
 Polyethylene UHMW-PE
 Polyäthylen UHMW-PE

261 M MC4 Series

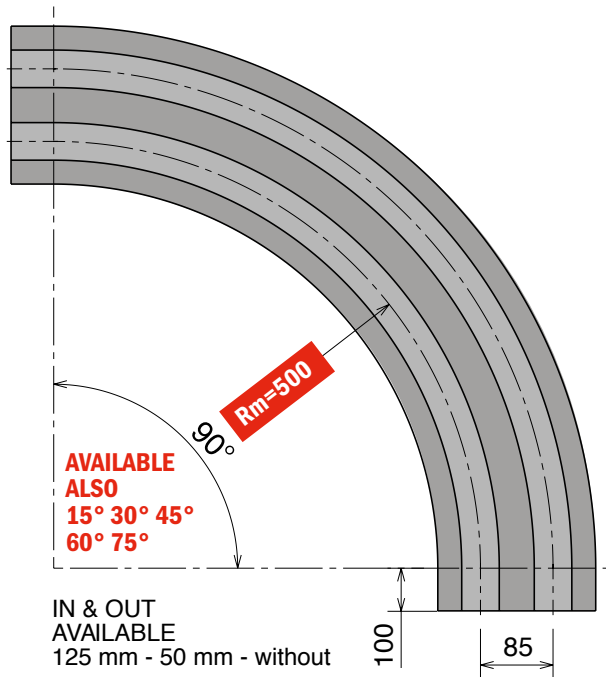
Chain Reference

261 M - K330

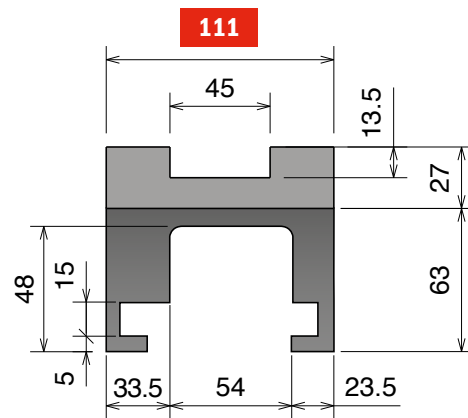
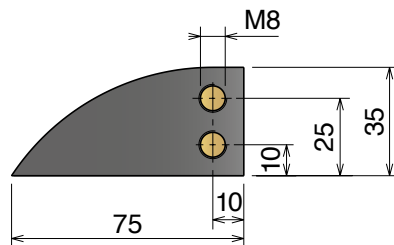
Curva Larghezza Base = 111 mm; Passo = 85 mm

Curve Basic Width = 111 mm; Pitch = 85 mm

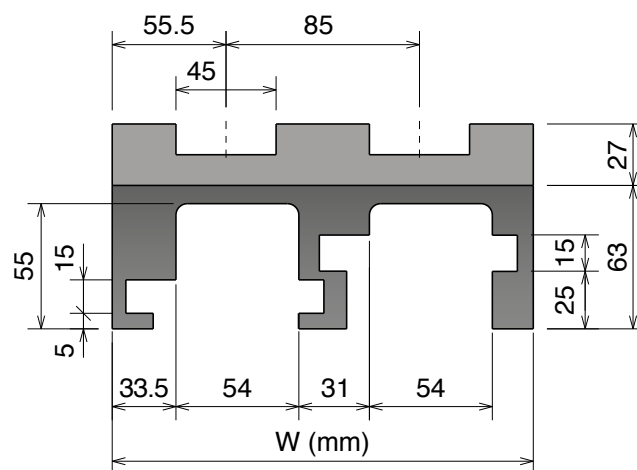
Kurve Basisbreite = 111 mm; Teilung = 85 mm



Available in **BluLub®**



SINGLE TRACK



MULTI TRACK

Upper part available, on request, also in **BluLub®** and for abrasive applications.

Magnetic System

Part	Article-Nr.	Tracks	W	Material
735	73511614	1	111	Standard codes on table
735	73511624	2	196	
735	73511634	3	281	add "B" for BluLub®
735	73511644	4	366	
735	73511654	5	451	add "C" for abrasive
735	73511664	6	536	
735	73511674	7	621	
735	73511684	8	706	

Part	Article-Nr.	Tracks	W	Material
735	73511614RS	1	111	add "RS" for RS-version
735	73511624RS	2	196	
735	73511634RS	3	281	
735	73511644RS	4	366	
735	73511654RS	5	451	
735	73511664RS	6	536	
735	73511674RS	7	621	
735	73511684RS	8	706	

261 M MC8 Series

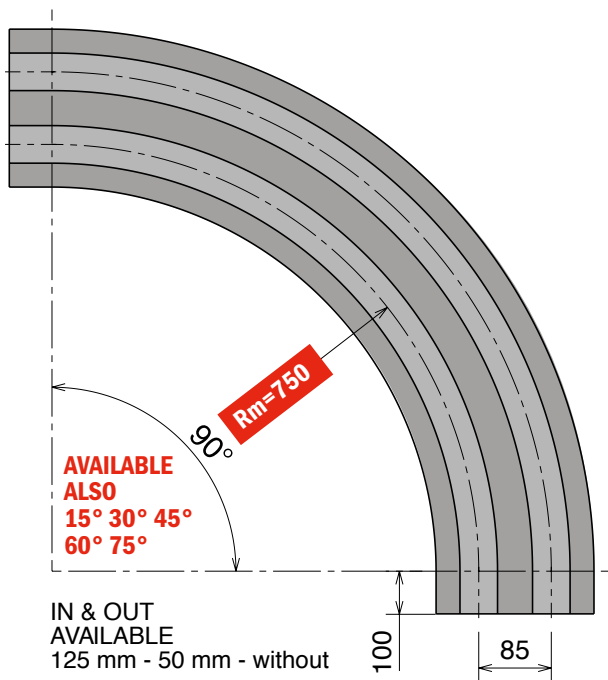
Chain Reference

261 M - K330

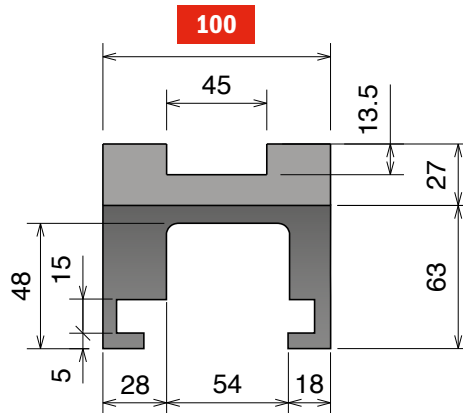
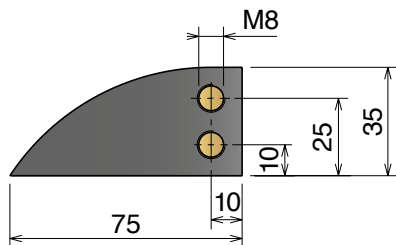
Curva Larghezza Base = 100 mm; Passo = 85 mm

Curve Basic Width = 100 mm; Pitch = 85 mm

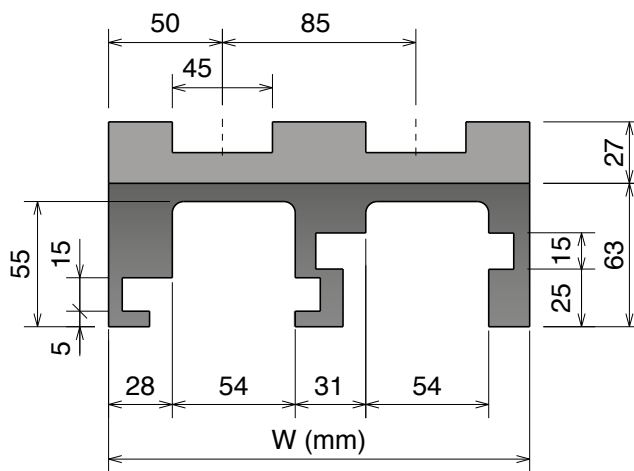
Kurve Basisbreite = 100 mm; Teilung = 85 mm



Available in **BluLub**®



SINGLE TRACK



MULTI TRACK

Magnetic System

Upper part available, on request, also in **BluLub**® and for abrasive applications.

Part	Article-Nr.	Tracks	W	Material
706	70616614	1	100	Standard codes on table
706	70616624	2	185	
706	70616634	3	270	add "B" for BluLub ®
706	70616644	4	355	
706	70616654	5	440	add "C" for abrasive
706	70616664	6	525	
706	70616674	7	610	
706	70616684	8	695	

Part	Article-Nr.	Tracks	W	Material
706	70616614RS	1	100	add "RS" for RS-version
706	70616624RS	2	185	
706	70616634RS	3	270	
706	70616644RS	4	355	
706	70616654RS	5	440	
706	70616664RS	6	525	
706	70616674RS	7	610	
706	70616684RS	8	695	

261 M MC5D Series

Curve magnetische, Tab & Bevel / Magnetic, Tab & Bevel corner tracks / Kurvenführungen Magnet, Tab & Bevel Version

Materiale / Material / Materialien:
 Polietilene UHMW-PE
 Polyethylene UHMW-PE
 Polyäthylen UHMW-PE

261 M MC5D Series

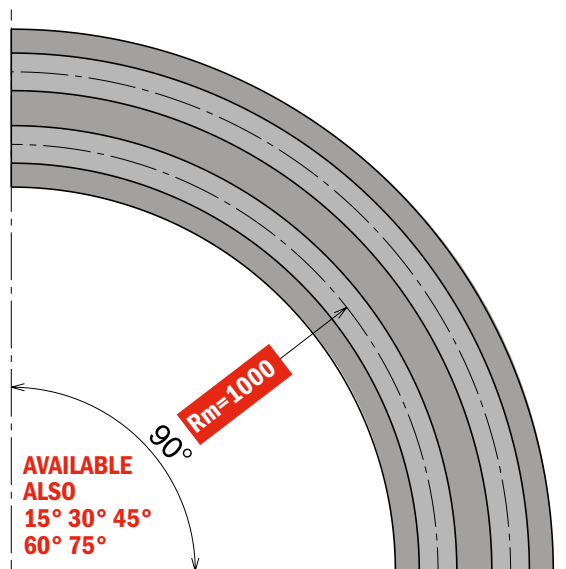
Chain Reference

261 M - K330

Curva Larghezza Base = 100 mm; Passo = 85 mm

Curve Basic Width = 100 mm; Pitch = 85 mm

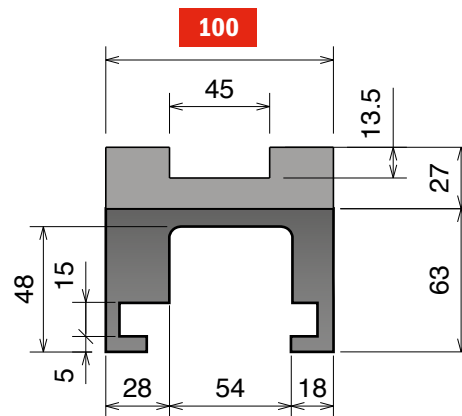
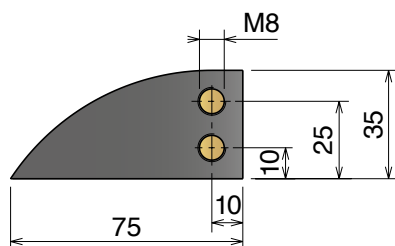
Kurve Basisbreite = 100 mm; Teilung = 85 mm



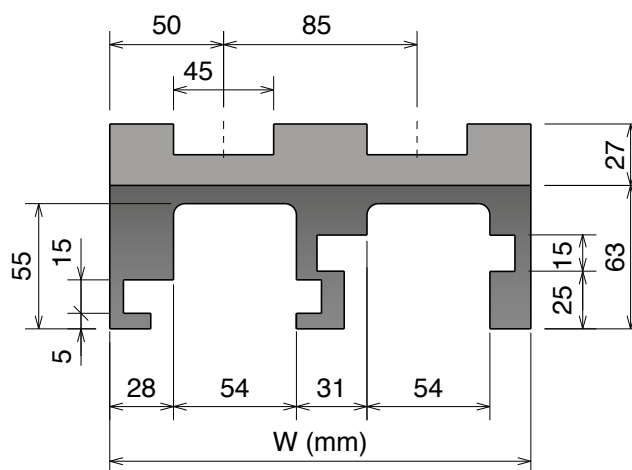
IN & OUT AVAILABLE
 125 mm - 100 mm - 50 mm



Available in
BluLub®



SINGLE TRACK



MULTI TRACK

Upper part available, on request,
 also in **BluLub®**
 and for abrasive applications.

Magnetic System

Part	Article-Nr.	Tracks	W	Material
706	70619610	1	100	Standard codes on table
706	70619620	2	185	
706	70619630	3	270	add "B" for BluLub®
706	70619640	4	355	
706	70619650	5	440	add "C" for abrasive
706	70619660	6	525	
706	70619670	7	610	
706	70619680	8	695	

Part	Article-Nr.	Tracks	W	Material
706	70619610RS	1	100	add "RS" for RS-version
706	70619620RS	2	185	
706	70619630RS	3	270	
706	70619640RS	4	355	
706	70619650RS	5	440	
706	70619660RS	6	525	
706	70619670RS	7	610	
706	70619680RS	8	695	

261 M K450 MC22 Series

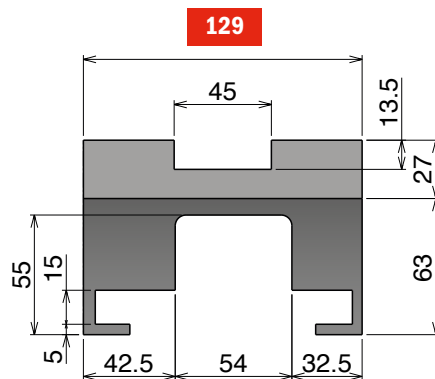
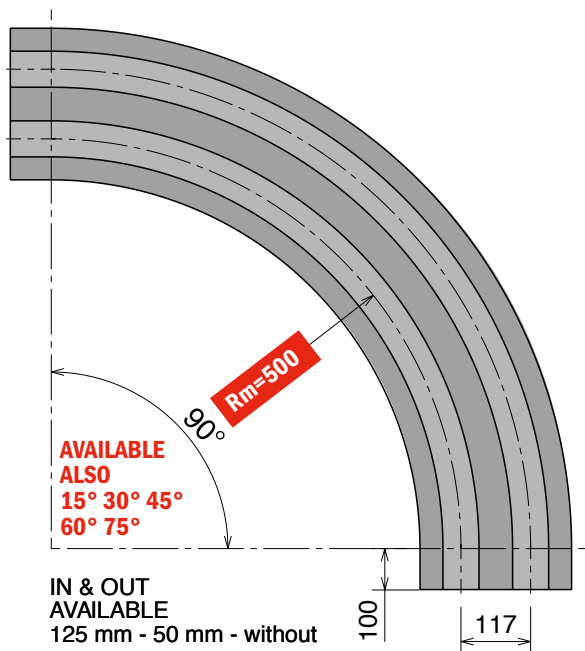
Chain Reference

261 M - K450

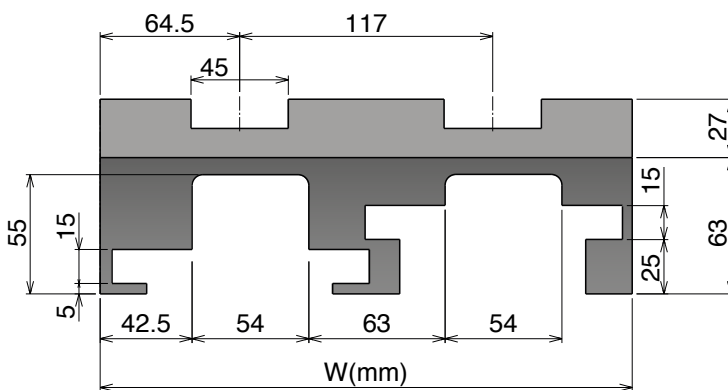
Curva Larghezza Base = 129 mm; Passo = 117 mm

Curve Basic Width = 129 mm; Pitch = 117 mm

Kurve Basisbreite = 129 mm; Teilung = 117 mm



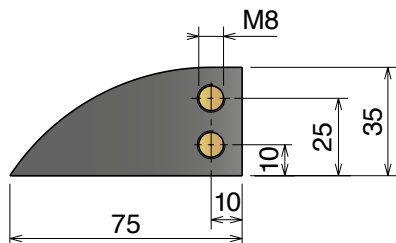
SINGLE TRACK



MULTI TRACK



Available in
BluLub®



Magnetic System

Upper part available, on request,
 also in **BluLub®**
 and for abrasive applications.

Part	Article-Nr.	Tracks	W	Material
736	73611614	1	129	Standard codes on table
736	73611624	2	246	
736	73611634	3	363	add "B" for BluLub®
736	73611644	4	480	



add "C" for abrasive

Part	Article-Nr.	Tracks	W	Material
736	73611614RS	1	129	add "RS" for RS-version
736	73611624RS	2	246	
736	73611634RS	3	363	
736	73611644RS	4	480	



RS

add "RS" for RS-version

261 M K450 MC27 Series

Curve magnetiche, Tab & Bevel / Magnetic, Tab & Bevel corner tracks / Kurvenführungen Magnet, Tab & Bevel Version

Materiale / Material / Materialien:
 Polietilene UHMW-PE
 Polyethylene UHMW-PE
 Polyäthylen UHMW-PE

261 M K450 MC27 Series

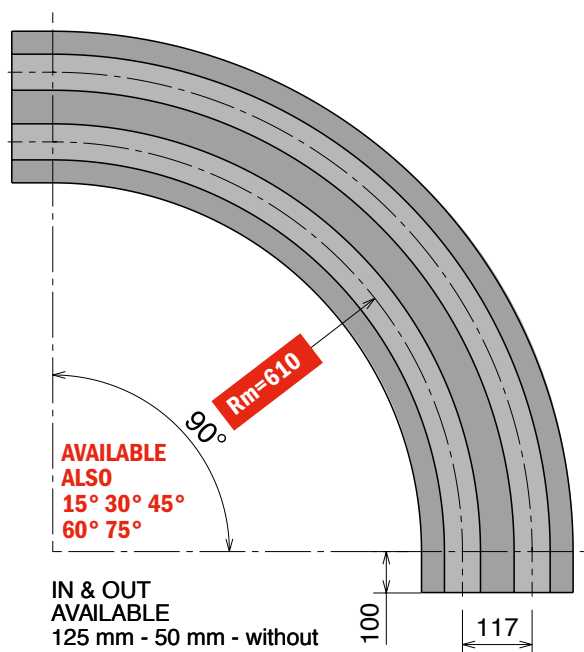
Chain Reference

261 M - K450

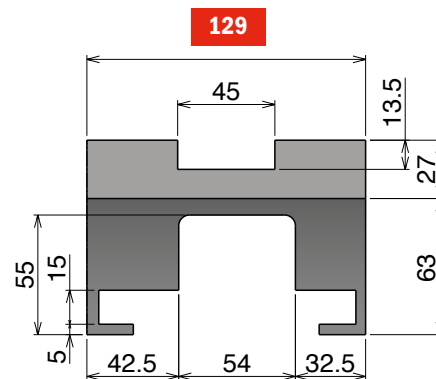
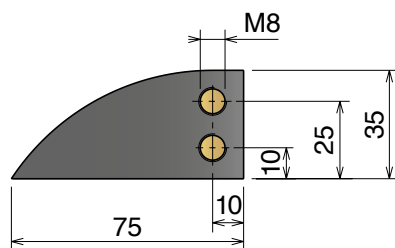
Curva Larghezza Base = 129 mm; Passo = 117 mm

Curve Basic Width = 129 mm; Pitch = 117 mm

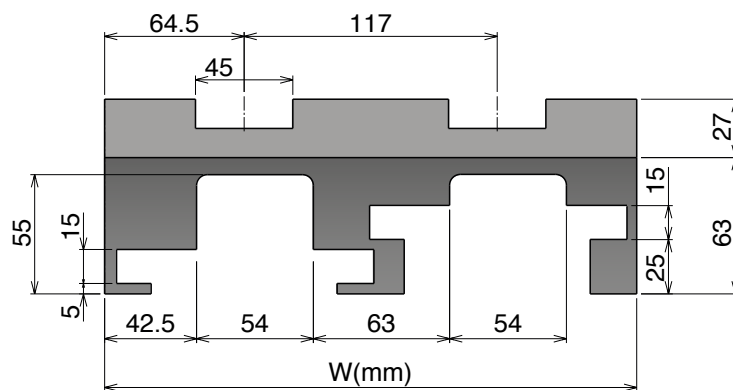
Kurve Basisbreite = 129 mm; Teilung = 117 mm



Available in
BluLub®



SINGLE TRACK



MULTI TRACK

Magnetic System

Upper part available, on request,
 also in **BluLub®**
 and for abrasive applications.

Part	Article-Nr.	Tracks	W	Material
736	73613614	1	129	Standard codes on table
736	73613624	2	246	
736	73613634	3	363	add "B" for BluLub®
736	73613644	4	480	



Part	Article-Nr.	Tracks	W	Material
736	73613614RS	1	129	add "RS" for RS-version
736	73613624RS	2	246	
736	73613634RS	3	363	
736	73613644RS	4	480	



520 M MA7 Series

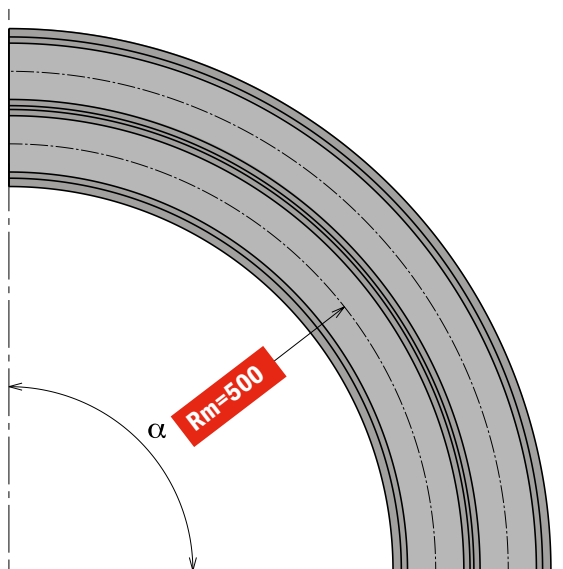
Chain Reference

520 M - K330

Curva Larghezza Base = 100 mm; Passo = 85 mm

Curve Basic Width = 100 mm; Pitch = 85 mm

Kurve Basisbreite = 100 mm; Teilung = 85 mm

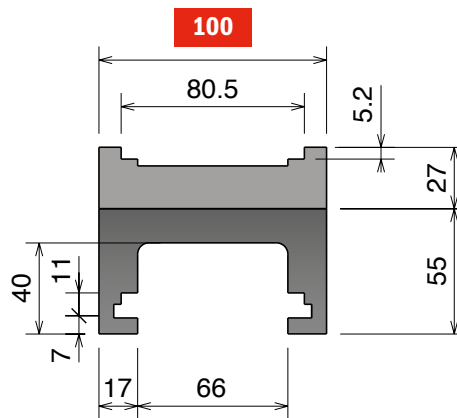
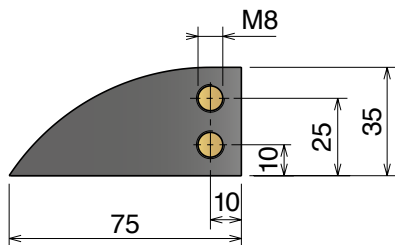


IN & OUT
 AVAILABLE ALSO
 125 mm - 100 mm - 50 mm

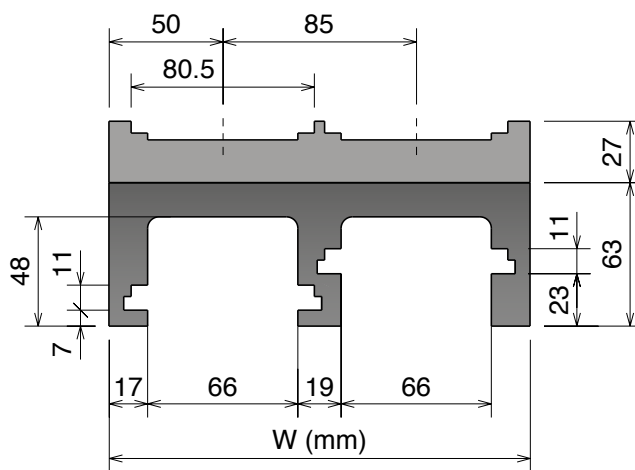
85



Available in
BluLub®



SINGLE TRACK



MULTI TRACK

Upper part available, on request,
 also in **BluLub®**
 and for abrasive applications.

Magnetic System

Part	α 15°	α 30°	α 45°	α 60°	α 75°	α 90°	Tracks	W	Material
750	75011110	75011210	75011310	75011410	75011510	75011610	1	100	Standard codes on table
750	75011120	75011220	75011320	75011420	75011520	75011620	2	185	
750	75011130	75011230	75011330	75011430	75011530	75011630	3	270	add "B" for BluLub®
750	75011140	75011240	75011340	75011440	75011540	75011640	4	355	
750	75011150	75011250	75011350	75011450	75011550	75011650	5	440	add "C" for abrasive
750	75011160	75011260	75011360	75011460	75011560	75011660	6	525	
750	75011170	75011270	75011370	75011470	75011570	75011670	7	610	add "C" for abrasive
750	75011180	75011280	75011380	75011480	75011580	75011680	8	695	

520 M MA6 Series

Curve magnetiche, Tab & Bevel / Magnetic, Tab & Bevel corner tracks / Kurvenführungen Magnet, Tab & Bevel Version

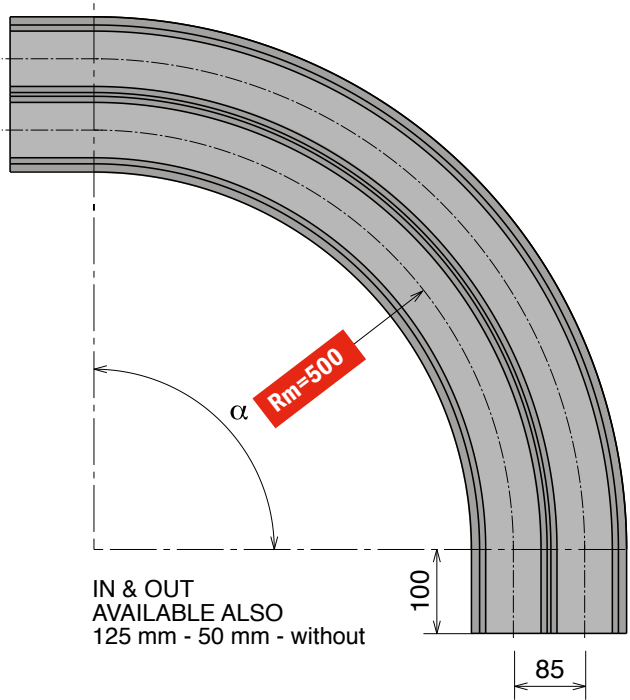
Materiale / Material / Materialien:
 Polietilene UHMW-PE
 Polyethylene UHMW-PE
 Polyäthylen UHMW-PE

520 M MA6 Series

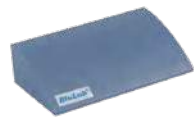
Chain Reference

520 M - K330

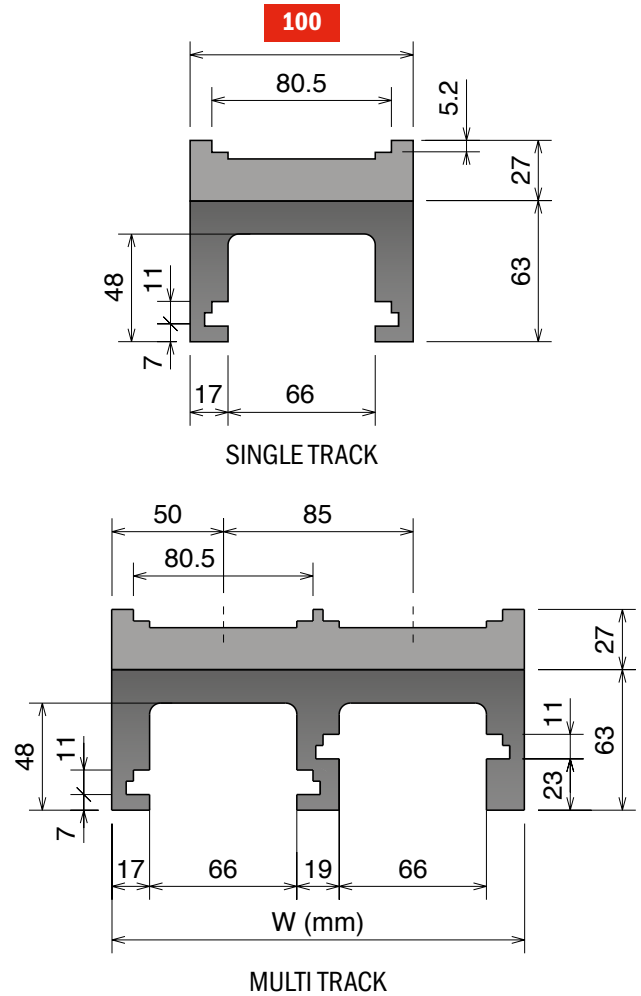
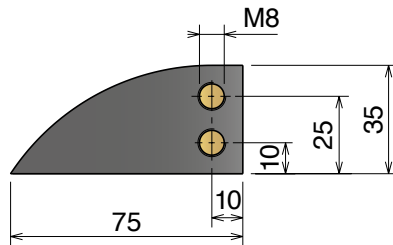
Curva Larghezza Base = 100 mm; Passo = 85 mm
 Curve Basic Width = 100 mm; Pitch = 85 mm
 Kurve Basisbreite = 100 mm; Teilung = 85 mm



IN & OUT
 AVAILABLE ALSO
 125 mm - 50 mm - without



Available in
BluLub



Magnetic System

Upper part available, on request,
 also in **BluLub**
 and for abrasive applications.

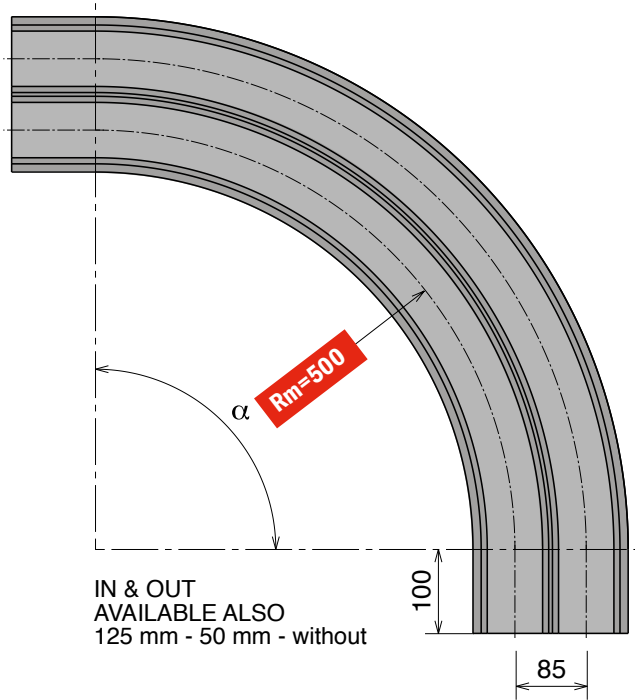
Part	$\alpha 15^\circ$	$\alpha 30^\circ$	$\alpha 45^\circ$	$\alpha 60^\circ$	$\alpha 75^\circ$	$\alpha 90^\circ$	Tracks	W	Material
750	75011114	75011214	75011314	75011414	75011514	75011614	1	100	Standard codes on table
750	75011124	75011224	75011324	75011424	75011524	75011624	2	185	
750	75011134	75011234	75011334	75011434	75011534	75011634	3	270	add "B" for BluLub
750	75011144	75011244	75011344	75011444	75011544	75011644	4	355	
750	75011154	75011254	75011354	75011454	75011554	75011654	5	440	add "C" for abrasive
750	75011164	75011264	75011364	75011464	75011564	75011664	6	525	
750	75011174	75011274	75011374	75011474	75011574	75011674	7	610	
750	75011184	75011284	75011384	75011484	75011584	75011684	8	695	

520 M MA4 Series

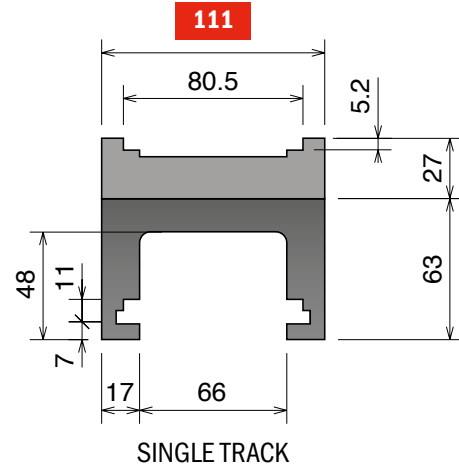
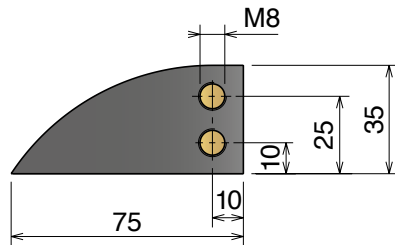
Chain Reference

520 M - K330

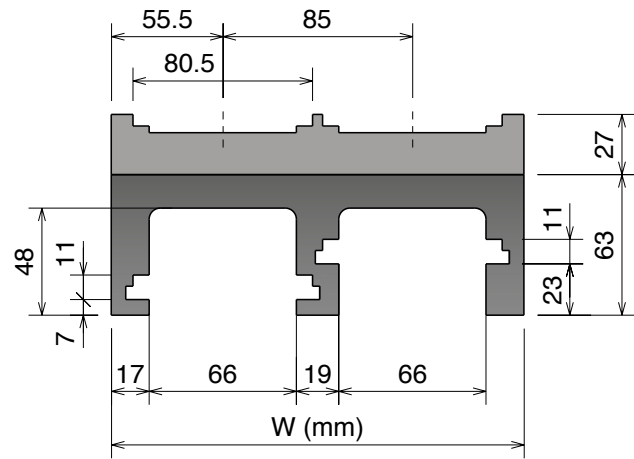
Curva Larghezza Base = 111mm; Passo = 85 mm
 Curve Basic Width = 111 mm; Pitch = 85 mm
 Kurve Basisbreite = 111 mm; Teilung = 85 mm



Available in **BluLub®**



SINGLE TRACK



MULTI TRACK

Magnetic System

Upper part available, on request,
 also in **BluLub®**
 and for abrasive applications.

Part	α 15°	α 30°	α 45°	α 60°	α 75°	α 90°	Tracks	W	Material
751	75111114	75111214	75111314	75111414	75111514	75111614	1	111	Standard codes on table
751	75111124	75111224	75111324	75111424	75111524	75111624	2	196	
751	75111134	75111234	75111334	75111434	75111534	75111634	3	281	add "B" for BluLub®
751	75111144	75111244	75111344	75111444	75111544	75111644	4	366	
751	75111154	75111254	75111354	75111454	75111554	75111654	5	451	add "C" for abrasive
751	75111164	75111264	75111364	75111464	75111564	75111664	6	536	
751	75111174	75111274	75111374	75111474	75111574	75111674	7	621	add "C" for abrasive
751	75111184	75111284	75111384	75111484	75111584	75111684	8	706	

520 M MA8 Series

Curve magnetiche, Tab & Bevel / Magnetic, Tab & Bevel corner tracks / Kurvenführungen Magnet, Tab & Bevel Version

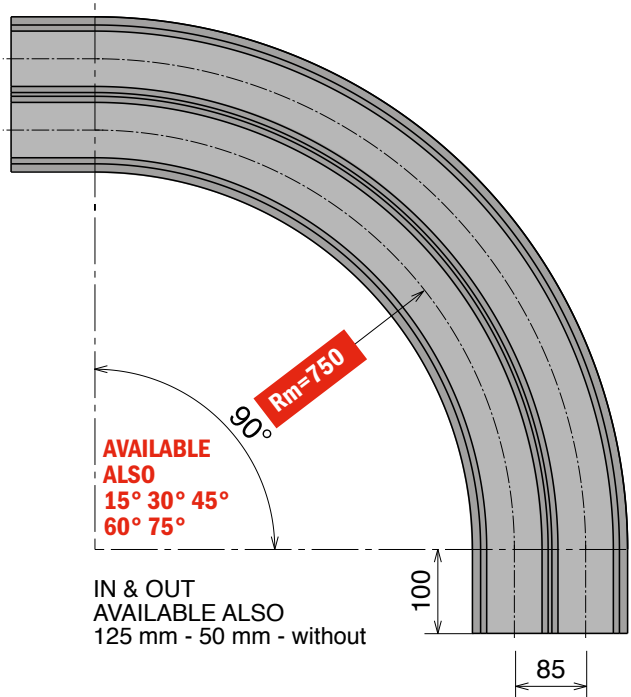
Materiale / Material / Materialien:
 Polietilene UHMW-PE
 Polyethylene UHMW-PE
 Polyäthylen UHMW-PE

520 M MA8 Series

Chain Reference

520 M - K330

Curva Larghezza Base = 100 mm; Passo = 85 mm
 Curve Basic Width = 100 mm; Pitch = 85 mm
 Kurve Basisbreite = 100 mm; Teilung = 85 mm

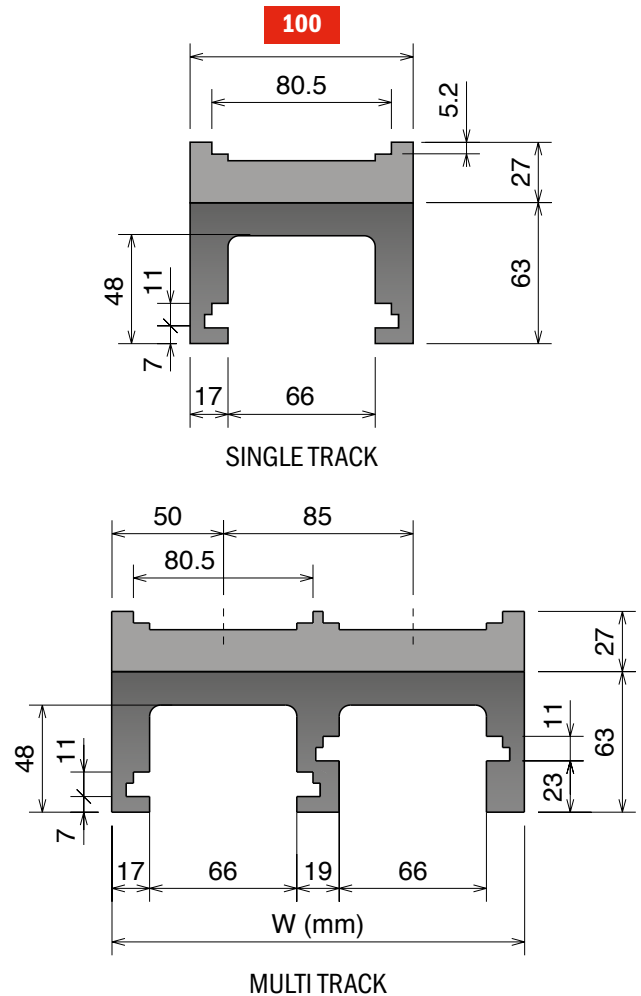
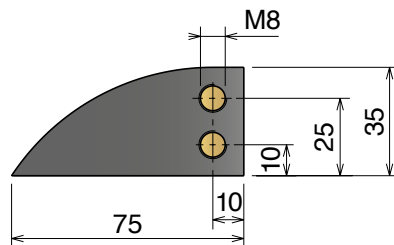


AVAILABLE ALSO
 15° 30° 45°
 60° 75°

IN & OUT
 AVAILABLE ALSO
 125 mm - 50 mm - without



Available in
BluLub



Magnetic System

Upper part available, on request,
 also in **BluLub**
 and for abrasive applications.

Part	Article-Nr.	Tracks	W	Material
750	75016614	1	100	 Standard codes on table
750	75016624	2	185	
750	75016634	3	270	
750	75016644	4	355	 add "B" for BluLub
750	75016654	5	440	
750	75016664	6	525	 add "C" for abrasive
750	75016674	7	610	
750	75016684	8	695	

520 M MA42 Series

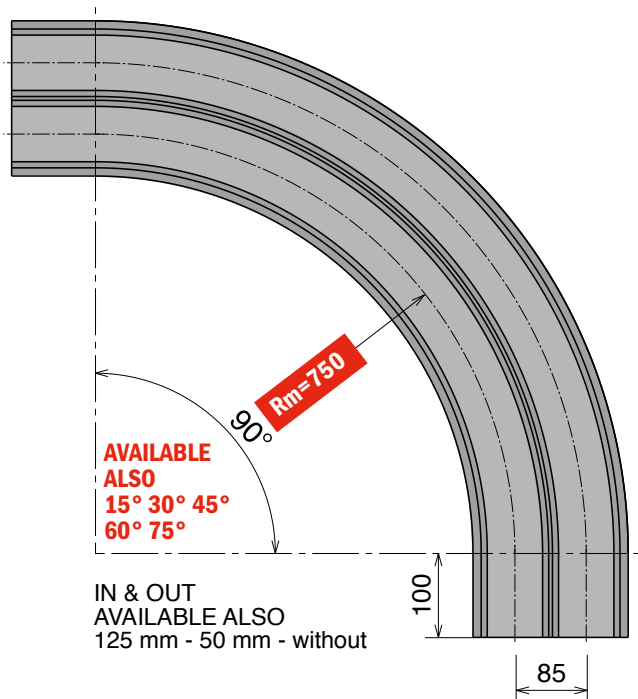
Chain Reference

520 M - K330

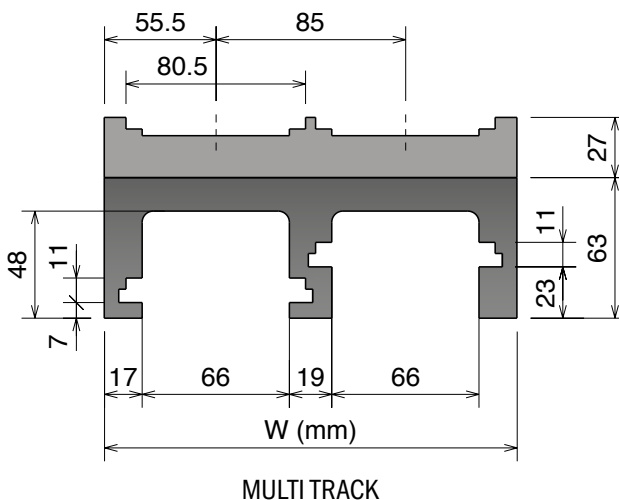
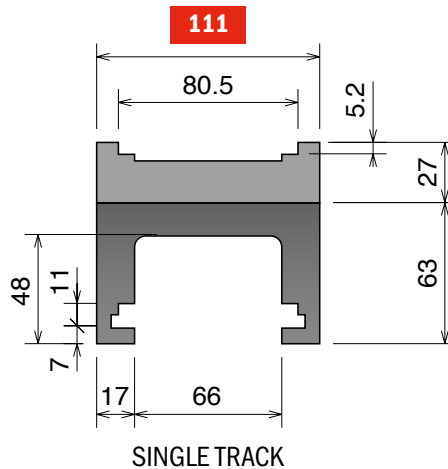
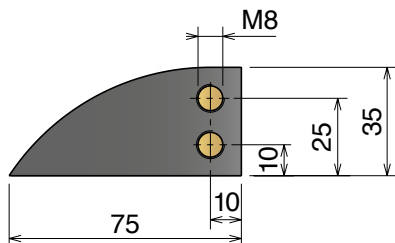
Curva Larghezza Base = 111 mm; Passo = 85 mm

Curve Basic Width = 111 mm; Pitch = 85 mm

Kurve Basisbreite = 111 mm; Teilung = 85 mm



Available in
BluLub®



Upper part available, on request,
 also in **BluLub®**
 and for abrasive applications.

Magnetic System

Part	Article-Nr.	Tracks	W	Material
751	75116614	1	111	Standard codes on table
751	75116624	2	196	
751	75116634	3	281	add "B" for BluLub®
751	75116644	4	366	
751	75116654	5	451	add "C" for abrasive
751	75116664	6	536	
751	75116674	7	621	
751	75116684	8	706	

520 M MA43 Series

Curve magnetiche, Tab & Bevel / Magnetic, Tab & Bevel corner tracks / Kurvenführungen Magnet, Tab & Bevel Version

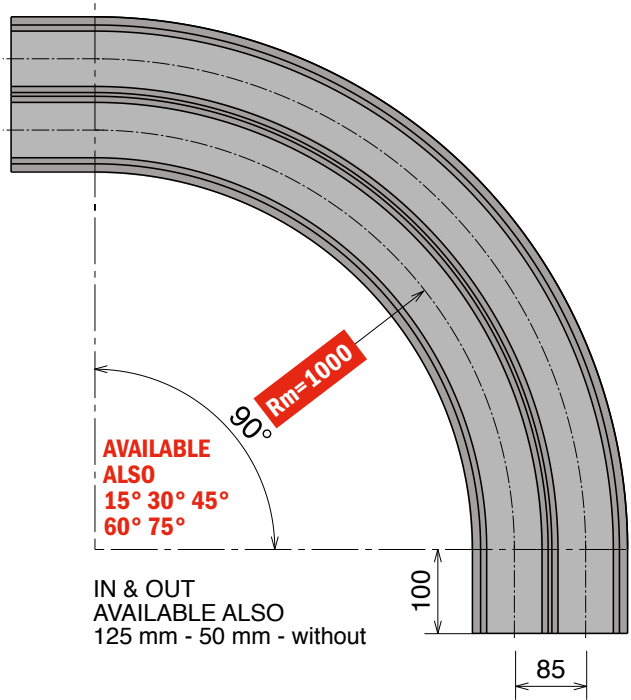
Materiale / Material / Materialien:
 Polietilene UHMW-PE
 Polyethylene UHMW-PE
 Polyäthylen UHMW-PE

520 M MA43 Series

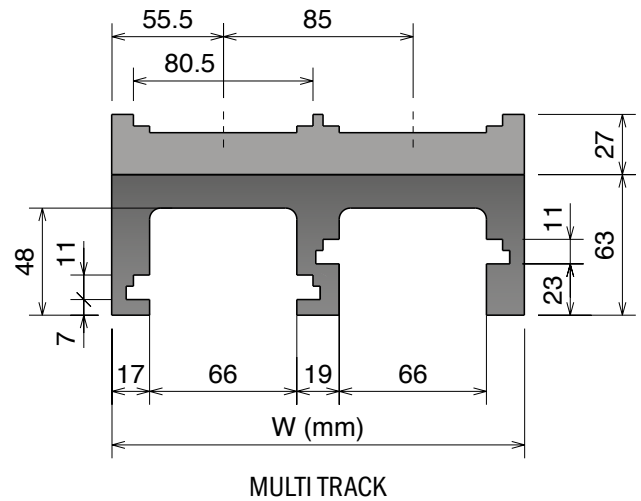
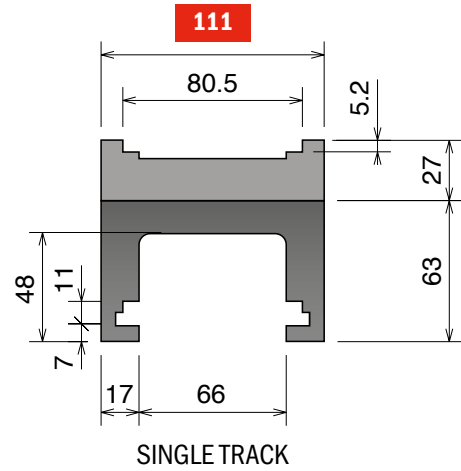
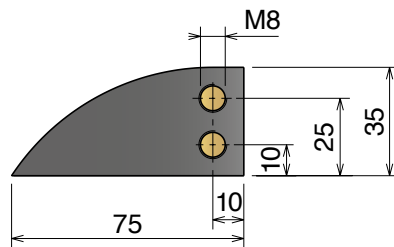
Chain Reference

520 M - K330

Curva Larghezza Base = 111 mm; Passo = 85 mm
 Curve Basic Width = 111 mm; Pitch = 85 mm
 Kurve Basisbreite = 111 mm; Teilung = 85 mm



Available in
BluLub®



Upper part available, on request,
 also in **BluLub®**
 and for abrasive applications.

Magnetic System

Part	Article-Nr.	Tracks	W	Material
751	75119614	1	111	Standard codes on table
751	75119624	2	196	
751	75119634	3	281	add "B" for BluLub®
751	75119644	4	366	
751	75119654	5	451	add "C" for abrasive
751	75119664	6	536	
751	75119674	7	621	
751	75119684	8	706	

520 M MA5D Series

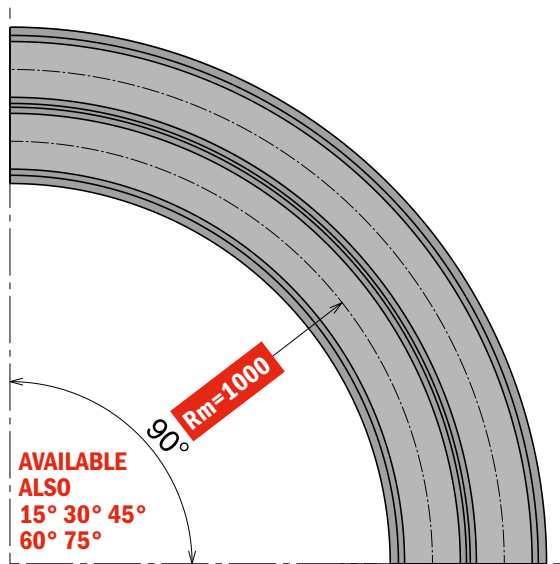
Chain Reference

520 M - K330

Curva Larghezza Base = 100 mm; Passo = 85 mm

Curve Basic Width = 100 mm; Pitch = 85 mm

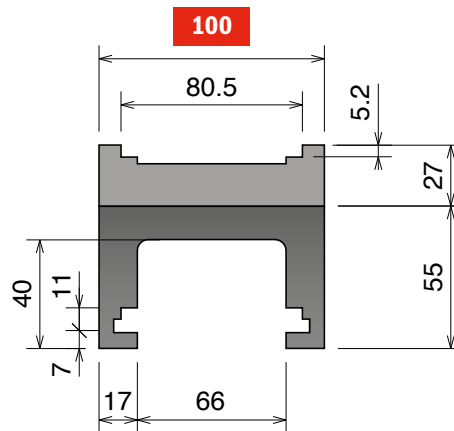
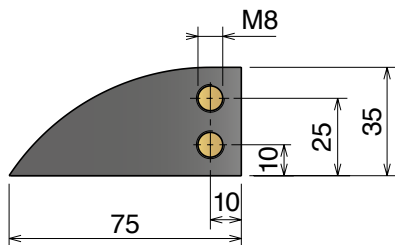
Kurve Basisbreite = 100 mm; Teilung = 85 mm



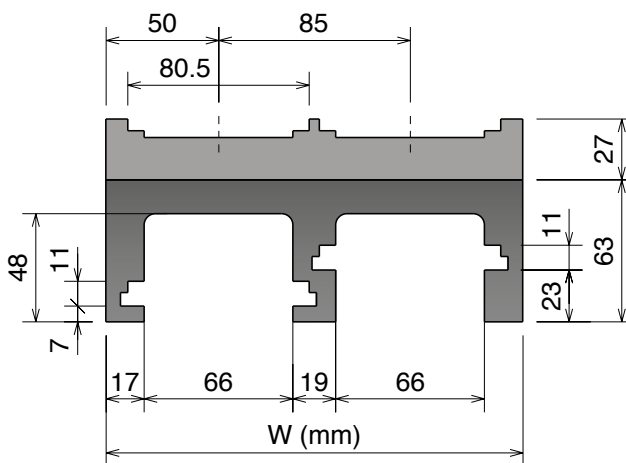
IN & OUT
 AVAILABLE ALSO
 125 mm - 100 mm - 50 mm



Available in
BluLub®



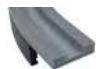
SINGLE TRACK



MULTI TRACK

Upper part available, on request,
 also in **BluLub®**
 and for abrasive applications.

Magnetic System

Part	Article-Nr.	Tracks	W	Material
750	75019610	1	100	 Standard codes on table
750	75019620	2	185	
750	75019630	3	270	 add "B" for BluLub®
750	75019640	4	355	
750	75019650	5	440	 add "C" for abrasive
750	75019660	6	525	
750	75019670	7	610	
750	75019680	8	695	

550 M

Curve magnetiche, Tab & Bevel / Magnetic, Tab & Bevel corner tracks / Kurvenführungen Magnet, Tab & Bevel Version

Materiale / Material / Materialien:
 Polietilene UHMW-PE
 Polyethylene UHMW-PE
 Polyäthylen UHMW-PE

550 M

New

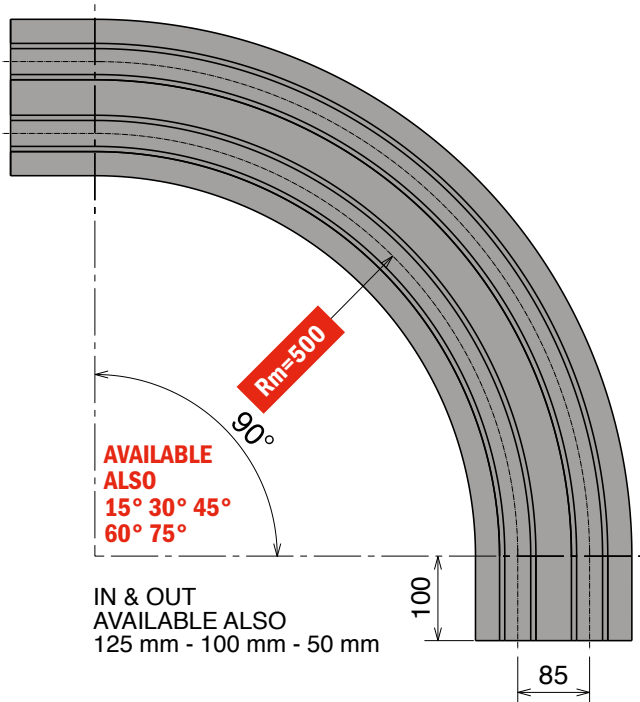
Chain Reference

550 M - K330

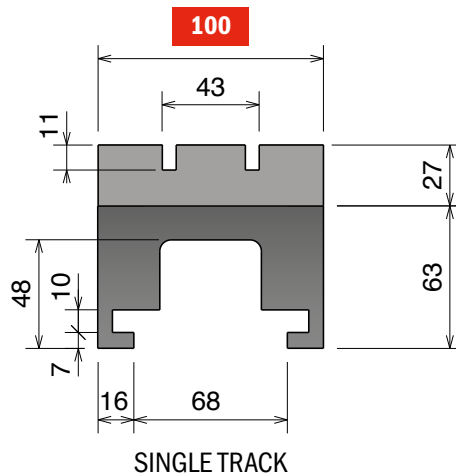
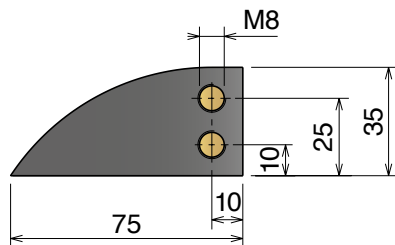
Curva Larghezza Base = 100 mm; Passo = 85 mm

Curve Basic Width = 100 mm; Pitch = 85 mm

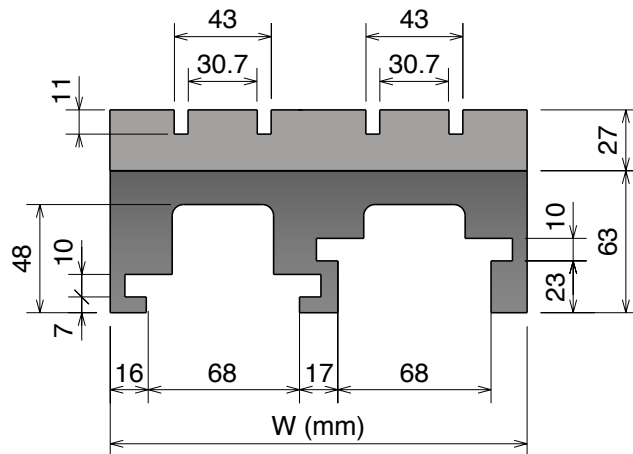
Kurve Basisbreite = 100 mm; Teilung = 85 mm



Available in **BluLub**




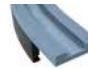

SINGLE TRACK

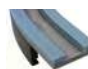


MULTI TRACK

Upper part available, on request, also in **BluLub** and for abrasive applications.

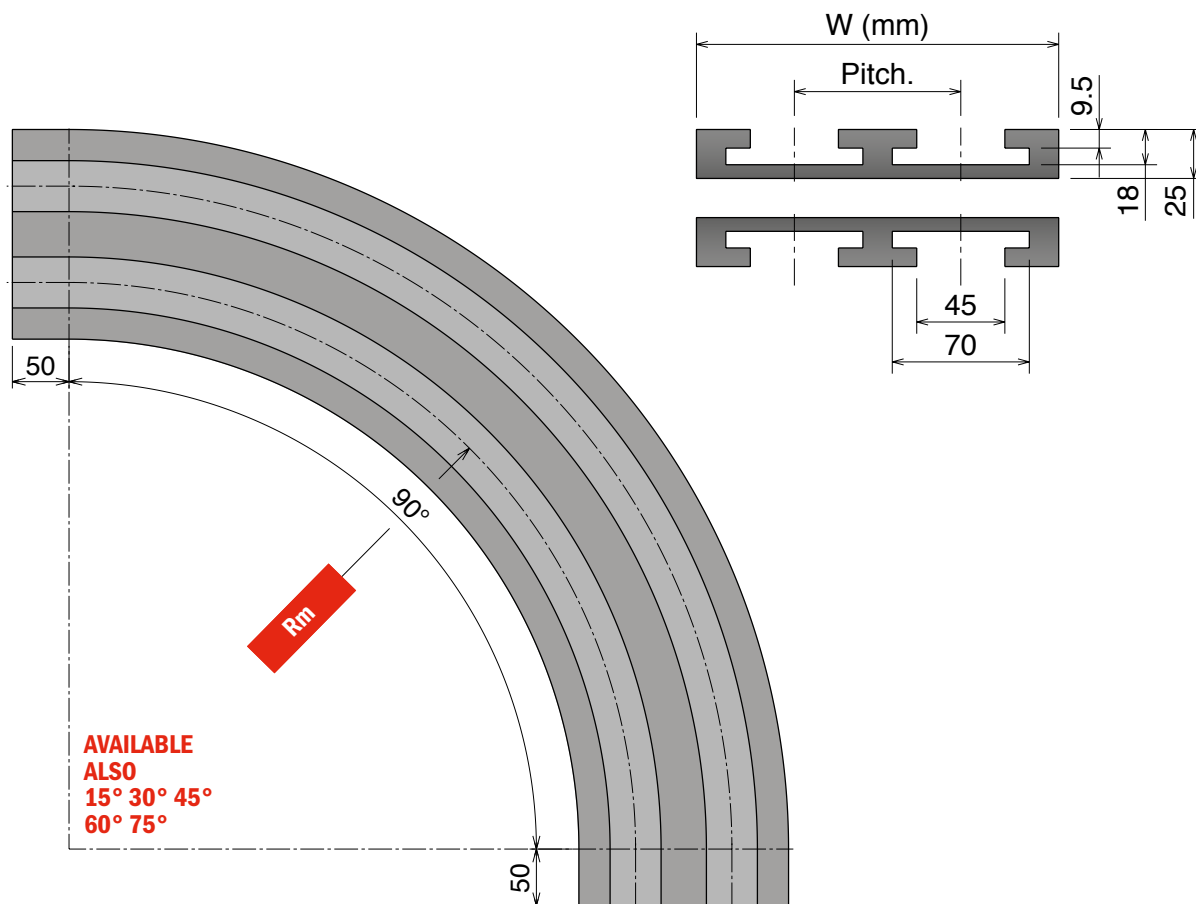
Magnetic System

Part	α 90°	Tracks	W	Material
752	75211614	1	100	 Standard codes on table
752	75211624	2	185	
752	75211634	3	270	 add "B" for BluLub
752	75211644	4	355	
752	75211654	5	440	 add "C" for abrasive
752	75211664	6	525	
752	75211674	7	610	
752	75211684	8	695	

Part	α 90°	Tracks	W	Material
752	75211614RS	1	100	 RS add "RS" for RS-version
752	75211624RS	2	185	
752	75211634RS	3	270	
752	75211644RS	4	355	
752	75211654RS	5	440	
752	75211664RS	6	525	
752	75211674RS	7	610	
752	75211684RS	8	695	

878-880-881 TAB-260 TAB


Chain Reference	878 TAB - K325/K450	880-881 TAB - K325/K450/K750	260 TAB - K330/K450	Delivery:	Easy	Standard
-----------------	---------------------	------------------------------	---------------------	-----------	------	----------



AVAILABLE
 ALSO
 15° 30° 45°
 60° 75°

Tab System

Upper part available, on request,
 also in **BluLub®**
 and for abrasive applications.

Part	Rm 500	Rm 610	Rm 800	Rm 1000	Tracks	W	Pitch	Material
K325								
720	72021612	72023612	72027612	72029612	1	100	85	 Standard codes on table add "B" for BluLub® add "C" for abrasive
720	72021622	72023622	72027622	72029622	2	185		
720	72021632	72023632	72027632	72029632	3	270		
720	72021642	72023642	72027642	72029642	4	355		
720	72021652	72023652	72027652	72029652	5	440		
720	72021662	72023662	72027662	72029662	6	525		
K450								
721	72121612	72123612	72127612	72129612	1	130	120	
721	72121622	72123622	72127622	72129622	2	250		
721	72121632	72123632	72127632	72129632	3	370		
721	72121642	72123642	72127642	72129642	4	490		
721	72121652	72123652	72127652	72129652	5	610		
721	72121662	72123662	72127662	72129662	6	730		
K750								
722	72221612	72223612	72227612	72229612	1	200	195	
722	72221622	72223622	72227622	72229622	2	395		
722	72221632	72223632	72227632	72229632	3	590		
722	72221642	72223642	72227642	72229642	4	785		

882 TAB

Curve magnetische, Tab & Bevel / Magnetic, Tab & Bevel corner tracks / Kurvenführungen Magnet, Tab & Bevel Version

Materiale / Material / Materialien:
 Polietilene UHMW-PE
 Polyethylene UHMW-PE
 Polyäthylen UHMW-PE

882 TAB

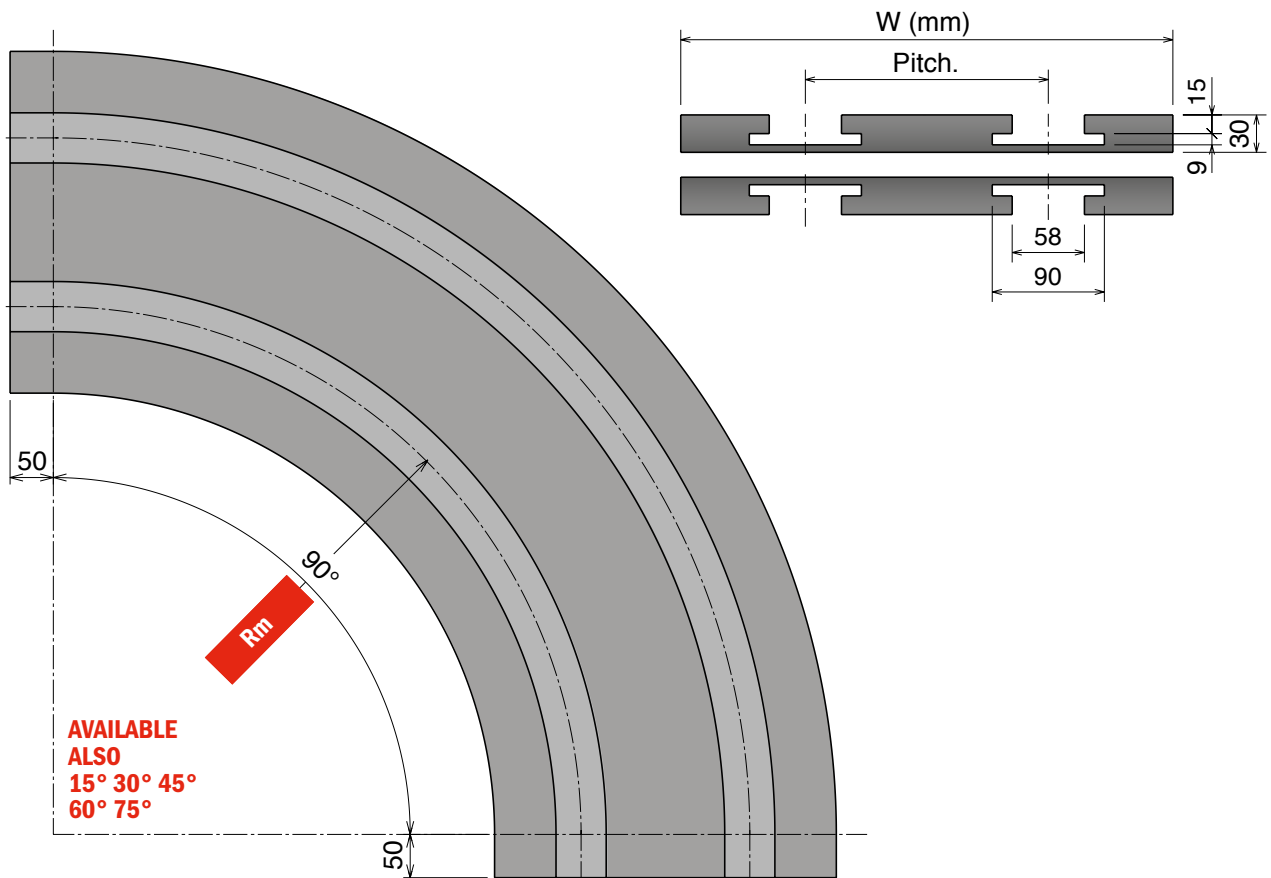
Chain Reference

882 TAB - K450/K750/K1000/K1200

Delivery:

Easy




Standard



AVAILABLE
 ALSO
 15° 30° 45°
 60° 75°

Tab System

Upper part available, on request,
 also in **BluLub®**
 and for abrasive applications.

Part	Rm 610	Rm 800	Rm 1000	Tracks	W	Pitch	Material
K450							
727	72723612	72727612	72729612	1	130	120	
727	72723622	72727622	72729622	2	250		
727	72723632	72727632	72729632	3	370		
727	72723642	72727642	72729642	4	490		
K750							
723	72323612	72327612	72329612	1	200	195	
723	72323622	72327622	72329622	2	395		
723	72323632	72327632	72329632	3	590		
723	72323642	72327642	72329642	4	785		
K1000							
724	72423612	72427612	72429612	1	270	260	
724	72423622	72427622	72429622	2	530		
724	72423632	72427632	72429632	3	790		
724	72423642	72427642	72429642	4	1050		
K1200							
725	72523612	72527612	72529612	1	320	310	
725	72523622	72527622	72529622	2	630		
725	72523632	72527632	72529632	3	940		
725	72523642	72527642	72529642	4	1250		

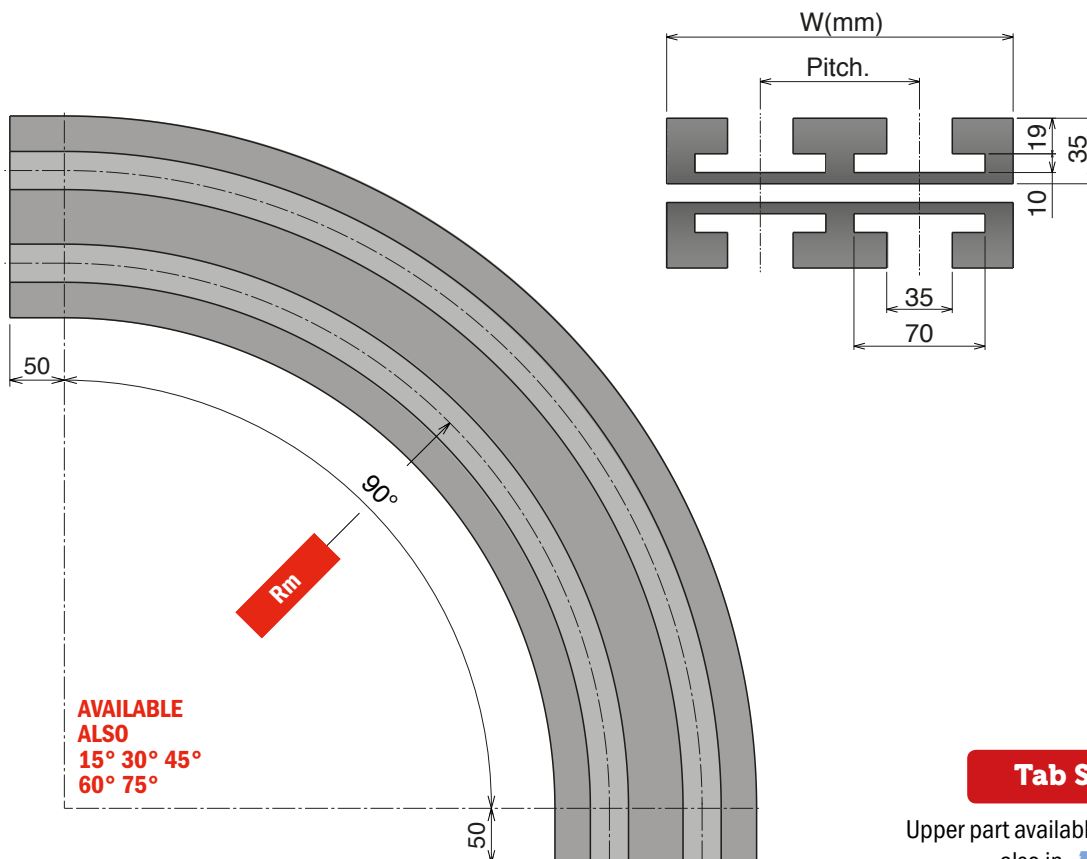
Standard codes
 on table

add "B" for
BluLub®

add "C"
 for abrasive

1873-1874 TAB







Chain Reference 1873 TAB-1874 TAB - K325/K450/K600/K750/K1000/K1200



AVAILABLE
 ALSO
 15° 30° 45°
 60° 75°

Tab System

Upper part available, on request,
 also in **BluLub**®
 and for abrasive applications.

Part	Rm 500	Rm 610	Rm 800	Rm 1000	Tracks	W	Pitch	Material
K325								
726	72621612	72623612	72627612	72629612	1	100	85	 Standard codes on table add " B " for BluLub ® add " C " for abrasive
726	72621622	72623622	72627622	72629622	2	185		
726	72621632	72623632	72627632	72629632	3	270		
726	72621642	72623642	72627642	72629642	4	355		
K450								
728	72821612	72823612	72827612	72829612	1	130	120	 Standard codes on table add " B " for BluLub ® add " C " for abrasive
728	72821622	72823622	72827622	72829622	2	250		
728	72821632	72823632	72827632	72829632	3	370		
728	72821642	72823642	72827642	72829642	4	490		
K600								
729	72921612	72923612	72927612	72929612	1	170	160	 Standard codes on table add " B " for BluLub ® add " C " for abrasive
729	72921622	72923622	72927622	72929622	2	330		
729	72921632	72923632	72927632	72929632	3	490		
729	72921642	72923642	72927642	72929642	4	650		
K750								
737	73721612	73723612	73727612	73729612	1	200	195	 Standard codes on table add " B " for BluLub ® add " C " for abrasive
737	73721622	73723622	73727622	73729622	2	395		
737	73721632	73723632	73727632	73729632	3	590		
737	73721642	73723642	73727642	73729642	4	785		
K1000								
738	73821612	73823612	73827612	73829612	1	270	260	 Standard codes on table add " B " for BluLub ® add " C " for abrasive
738	73821622	73823622	73827622	73829622	2	530		
K1200								
739	73921612	73923612	73927612	73929612	1	320	310	 Standard codes on table add " B " for BluLub ® add " C " for abrasive
739	73921622	73923622	73927622	73929622	2	630		

1843 TAB

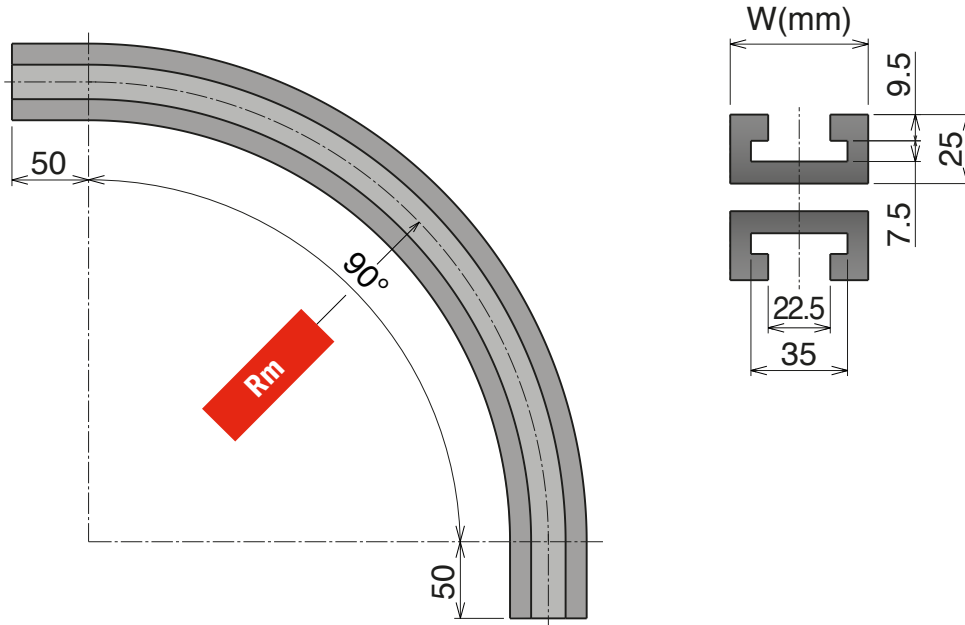
Curve magnetiche, Tab & Bevel / Magnetic, Tab & Bevel corner tracks / Kurvenführungen Magnet, Tab & Bevel Version

Materiale / Material / Materialien:
 Polietilene UHMW-PE
 Polyethylene UHMW-PE
 Polyäthylen UHMW-PE

1843 TAB



Chain Reference


1843 TAB - K125/K200




Tab System

Upper part available, on request,
 also in **BluLub**[®]
 and for abrasive applications.

Part	Rm 300	Rm 500	Tracks	W	Material
K125					
740	74020612	74021612	1	50	 Standard codes on table
K200					
741	74120612	74121612	1	70	 add " B " for BluLub [®]

 add "**C**" for abrasive

 **Materiale / Material / Materialien:**
 Polietilene UHMW-PE
 Polyethylene UHMW-PE
 Polyäthylen UHMW-PE

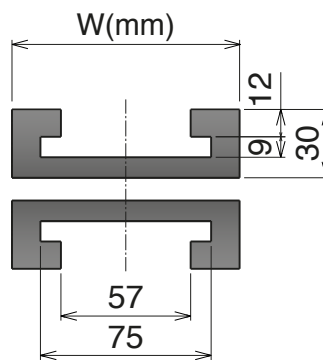
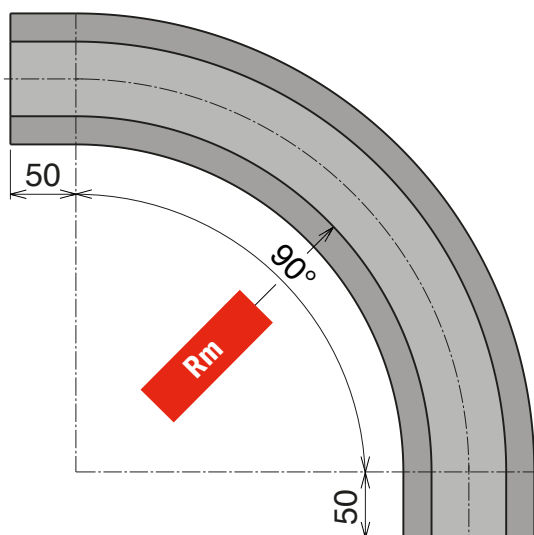
1701 TAB-1706 TAB

Curve magnetiche, Tab & Bevel / Magnetic, Tab & Bevel corner tracks / Kurvenführungen Magnet, Tab & Bevel Version

1701 TAB-1706 TAB


Chain Reference

1701 TAB - 1701 TAB OP- 1706 TAB - K55



Tab System

Upper part available, on request, also in **BluLub®** and for abrasive applications.

Part	Rm 250	Rm 500	Tracks	W	Material
K55					
742	74220612	74221612	1	100	 Standard codes on table



add "B" for **BluLub®**



add "C" for abrasive

880-881 B

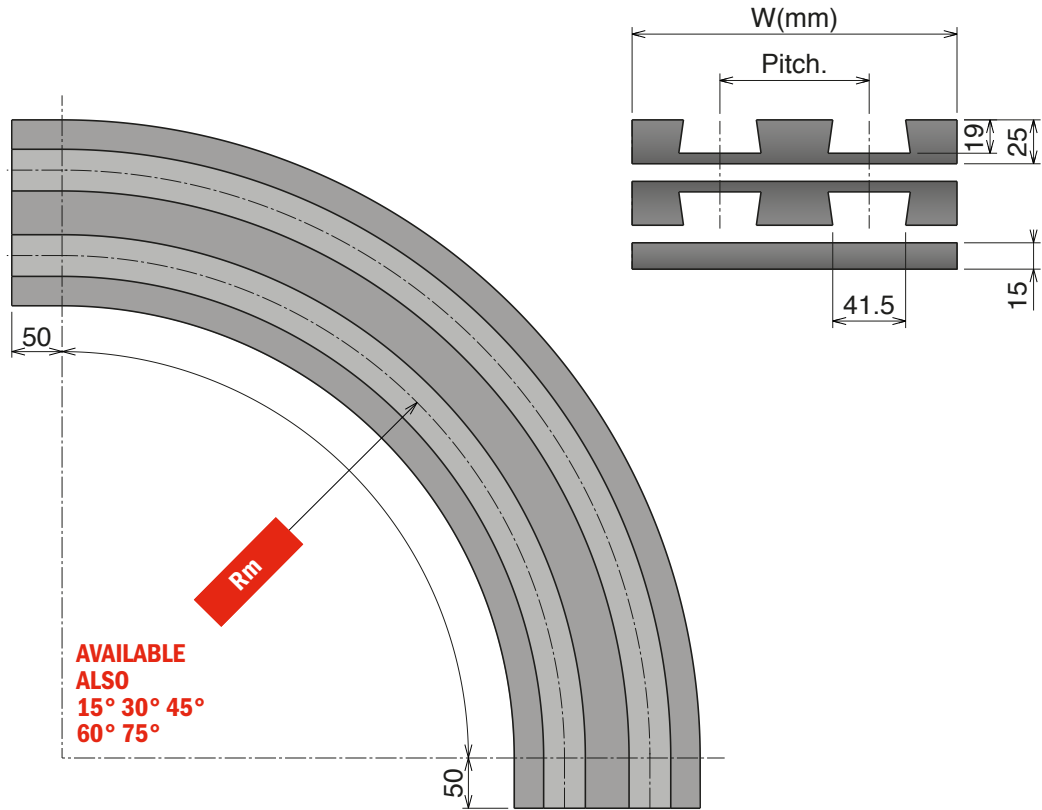
Curve magnetiche, Tab & Bevel / Magnetic, Tab & Bevel corner tracks / Kurvenführungen Magnet, Tab & Bevel Version

Materiale / Material / Materialien:
 Polietilene UHMW-PE
 Polyethylene UHMW-PE
 Polyäthylen UHMW-PE

880-881 B

Chain Reference




880 B-881 B - K325



AVAILABLE
 ALSO
 15° 30° 45°
 60° 75°

Bevel System

Upper part available, on request,
 also in **BluLub**[®]
 and for abrasive applications.

Part	Rm 500	Rm 610	Rm 800	Rm 1000	Tracks	W	Pitch	Material
K325								
770	77031612	77033612	77037612	77039612	1	100	85	 Standard codes on table  add " B " for BluLub [®]  add " C " for abrasive
770	77031622	77033622	77037622	77039622	2	185		
770	77031632	77033632	77037632	77039632	3	270		
770	77031642	77033642	77037642	77039642	4	355		
770	77031652	77033652	77037652	77039652	5	440		
770	77031662	77033662	77037662	77039662	6	525		

Materiale / Material / Materialien:
 Polietilene UHMW-PE
 Polyethylene UHMW-PE
 Polyäthylen UHMW-PE

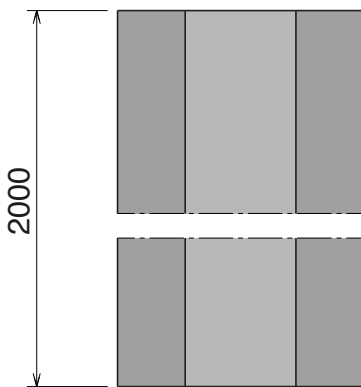
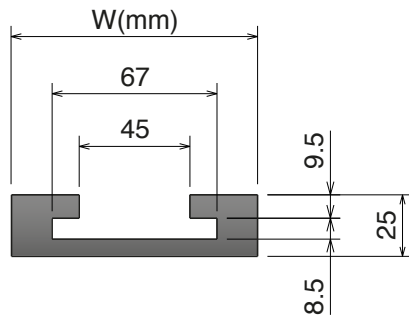
878-880-881 TAB / 882 TAB

Tratti rettilinei / Straight track section / Gerade Schienen

878-880-881 TAB Straight track section

Chain Reference

880-881 TAB - K325/K450/K750



Tab System

Upper part available, on request, also in **BluLub®** and for abrasive applications.

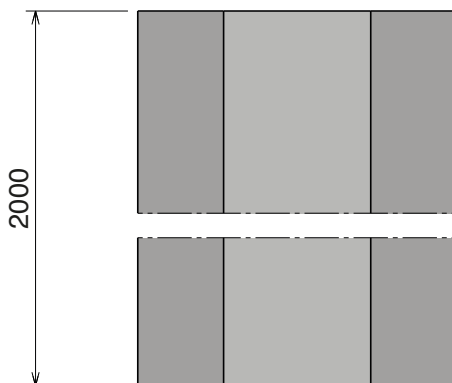
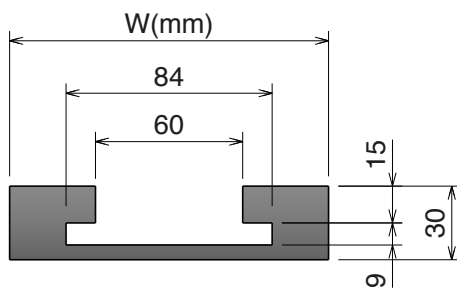
Part	Article-Nr.	W	Length	Material
K325				
790	79023010	100	2000	 Standard codes on table
K450				
790	79024010	130	2000	 add "B" for BluLub®
K750				
790	79026010	200	2000	 add "C" for abrasive

882 TAB Straight track section

Chain Reference

882 TAB - K450/K750/K1000/K1200

Delivery: **Easy** **Standard**



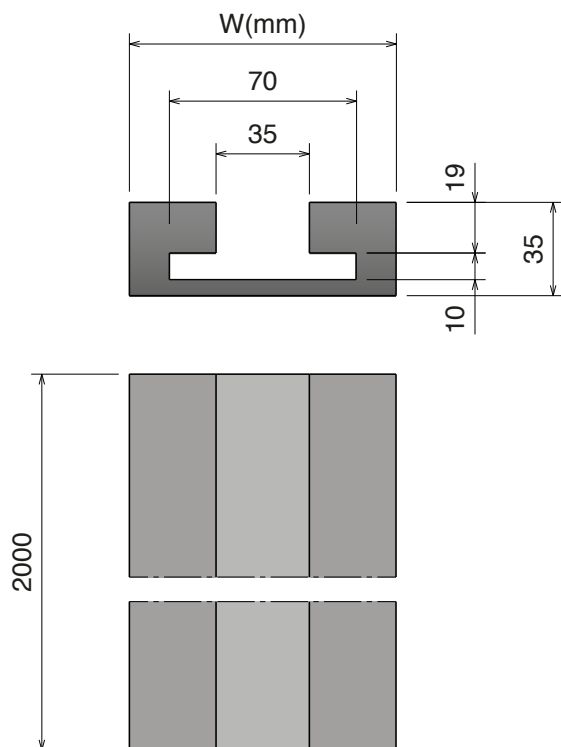
Tab System

Upper part available, on request, also in **BluLub®** and for abrasive applications.

Part	Article-Nr.	W	Length	Material
K450				
791	79124010	130	2000	 Standard codes on table
K750				
791	79126010	200	2000	 add "B" for BluLub®
K1000				
791	79127010	270	2000	 add "C" for abrasive
K1200				
791	79128010	320	2000	

1873-1874 TAB Straight track section

Chain Reference 1873 TAB-1874 TAB - K325/K450/K600/K750/K1000/K1200



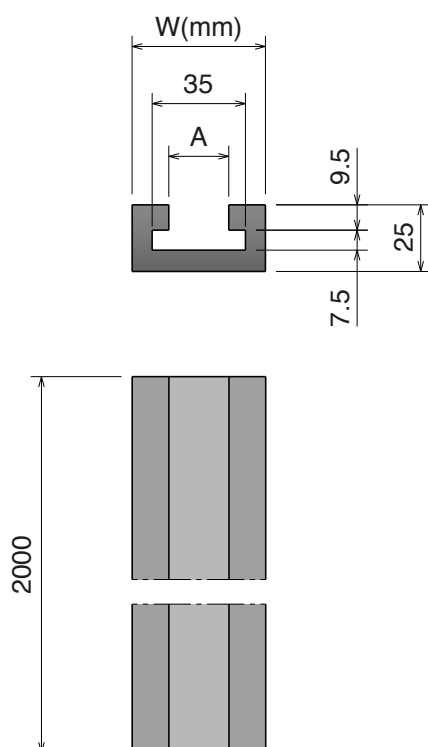
Tab System

Upper part available, on request, also in **BluLub**® and for abrasive applications.

Part	Article-Nr.	W	Length	Material
K325				
792	79223010	100	2000	 Standard codes on table
K450				
792	79224010	130	2000	 add "B" for BluLub ®
K600				
792	79225010	170	2000	 add "C" for abrasive
K750				
792	79226010	200	2000	
K1000				
792	79227010	270	2000	
K1200				
792	79228010	320	2000	




1843 TAB Straight track section

Chain Reference 1843 TAB - K125/K200



Tab System

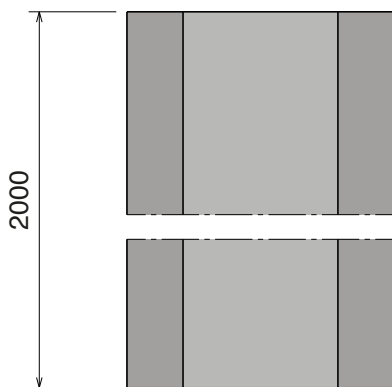
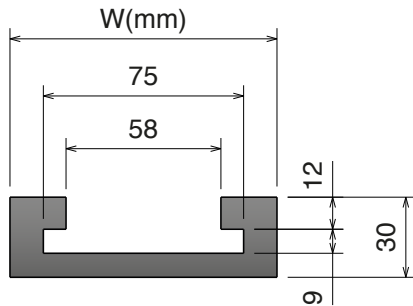
Upper part available, on request, also in **BluLub**® and for abrasive applications.

Part	Article-Nr.	W	A	Length	Material
K125					
793	79321010	50	22,5	2000	 Standard codes on table
K200					
793	79322010	70	22,3	2000	 add "B" for BluLub ®  add "C" for abrasive

1701 TAB-1706 TAB *Straight track section*


Chain Reference

1701 TAB - 1701 TAB OP- 1706 TAB - K55



Tab System

Upper part available, on request,
also in **BluLub®**
and for abrasive applications.

Part	Article-Nr.	W	Length	Material
K55				
794	79420010	100	2000	 Standard codes on table



add "**B**" for **BluLub®**



add "**C**" for abrasive

PFX

The best choice for dry running applications.

PFX is a plastic compound developed specific for chain and belts in order to run with limited lubrication or in dry applications where the demands are extreme concerning speed, performance & efficiency.

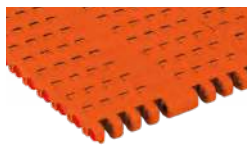
PFX material is developed to reduce the friction between chain, product and wearstrips even if no lubrication is used.

Modular belts available:

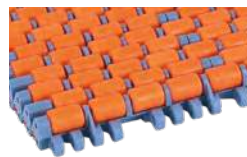
Other different types of product in PFX are on request.



520 FT



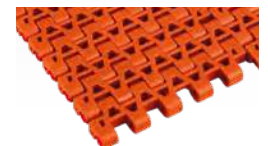
520 HD FT



520 PRO LBP



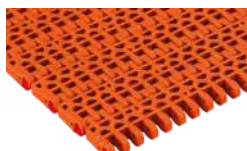
525 HD FT



525 HD FG



**550 FT &
One track belt**



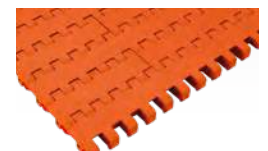
**550 FG &
One track belt**



550 PRO FT



550 PRO M



551 FT



551 PRO LBP



260 M FT



260 M FG



260 TAB



Low friction

Developed to reduce friction between chain and product, and chain and wearstrip.



High performance

Longer wear life lead to excellent and long enduring product handling features.



Minimal dusting

Developed to avoid dusting under extreme circumstances.



Control of cost

Better control of total cost and sustainable conveyor technology.



Food contact Certified

PFX material is suitable in food application.



Patented material

PFX is an exclusive product of Movex.

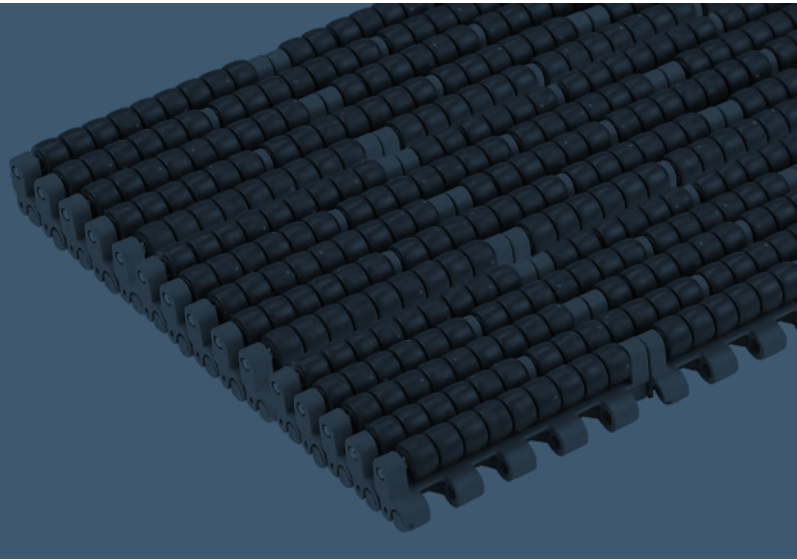
Energy saving

Low friction

Improved safe condition

High visibility

High efficiency

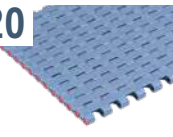


510



510 FT
Pag 176

520



520 FT
Pag 178

520 HD FT
Pag 179

520 FTT
Pag 180

520 FG
Pag 181

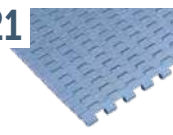
520 GT
Pag 182

520 LBP
Pag 183

520 PRO LBP
Pag 184


520 M
Pag 185

521



521 FT
Pag 187

228 Transfer plate



228 One Piece with Rollers
Pag 189

228 One Piece with Bearings
Pag 190

228 Standard
Pag 191

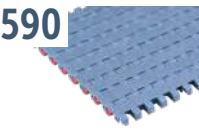
228 with Rollers
Pag 191

228 with Bearings
Pag 192

228 with Positioner and Bearings
Pag 193

228 for Micropitch
Pag 193

590

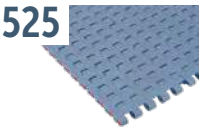


590 FT
Pag 195

590 FT One track Belt
Pag 196

590 FTT
Pag 197

525



525 HD FT
Pag 199

525 HD FT + RIB
Pag 200

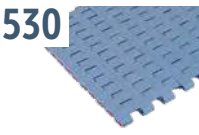
525 FTT
Pag 201

525 HD FG
Pag 202

525 HD GT
Pag 203

525 HD GT Side indent
Pag 204

530



530 FT
Pag 206

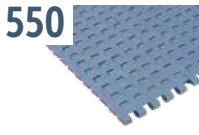
530 FTT
Pag 207

530 GT
Pag 208

530 GT Side indent
Pag 209

530 LBP
Pag 210

550



550 FT
Pag 212

550 FT One track Belt
Pag 213

550 FTT
Pag 214

550 FG
Pag 215

550 FG One track Belt
Pag 216

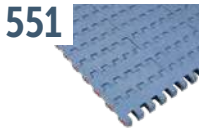
550 GT
Pag 217

550 GT Side indent
Pag 218

550 PRO FT
Pag 219

550 PRO M
Pag 220

551



551 FT
Pag 222

551 FTT
Pag 223

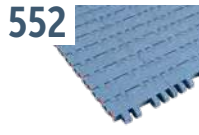
551 GT
Pag 224

551 GT Side indent
Pag 225

551 LBP
Pag 226

551 PRO LBP
Pag 227/228

552



552 FT
Pag 230

552 FT One track Belt
Pag 231

552 FTT
Pag 232

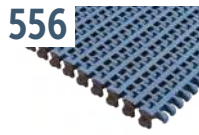
552 PT
Pag 233

552 PT One track Belt
Pag 234

552 GT
Pag 235

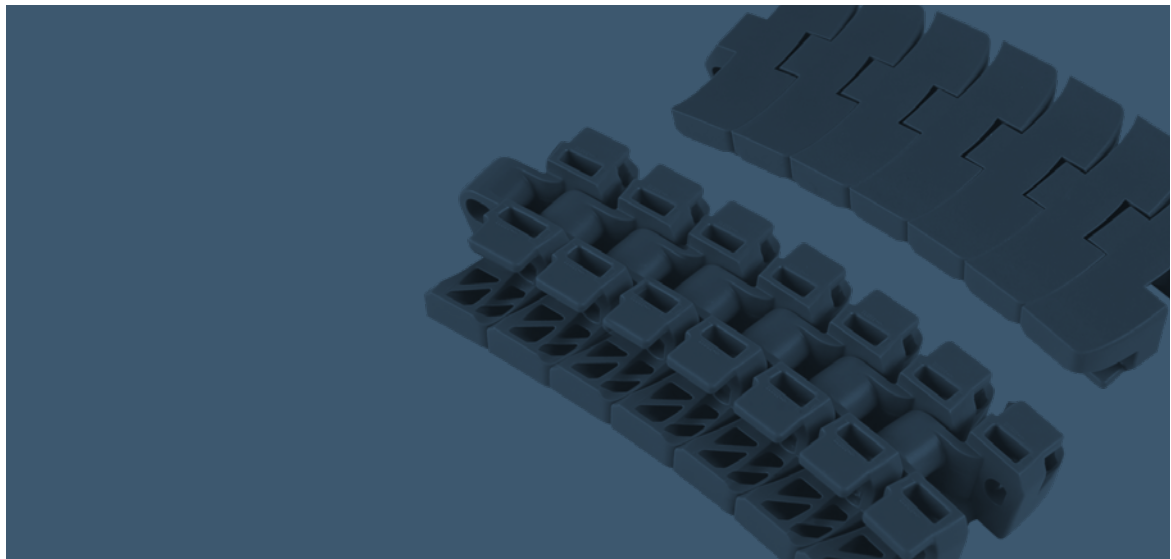
552 GT Side indent
Pag 236

556

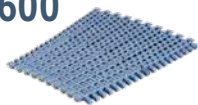


556 FT
Pag 238

556 GT
Pag 239



600



600 Standard
Pag 241

600 Heavy duty
Pag 242

600 Heavy duty with Bearings
Pag 243

600 Small radius
Pag 244

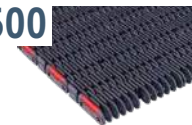
600 Heavy duty/ Small radius
Pag 245

600 Heavy duty/ Small radius with Bearings
Pag 246

600 with pusher
Pag 247

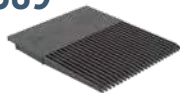
1047 Heavy duty guide
Pag 247

500



500 RR
Pag 249

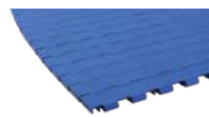
389



389 Combs
Pag 250



ZERO CONTACT
Pag 252



ZERO CONTACT PRO
Pag 253/254/255



ZERO CONTACT CURVE
Pag 256/257/258

260

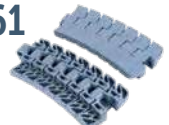


260 M FT
Pag 260

260 M FG
Pag 261

260 TAB
Pag 262

261



261 M FT
Pag 263

261 TAB
Pag 264

510 Series

510

Pitch 8 mm

H= 6 mm



510 FT

Movex[®]

510 FT

Tappeti modulari / Modular belts / Mattenketten

510 FT

Tappeto Modulare 510 FT, H=6 M=3"
Modular Belt Series 510 FT, H=6 M=3" / Modulare Mattenkette 510 FT, H=6 M=3"

Patented

Imperial Size

CODE STRUCTURE GUIDE

(Example)

5331	01	0012	A
Series	*Material	Width	Version



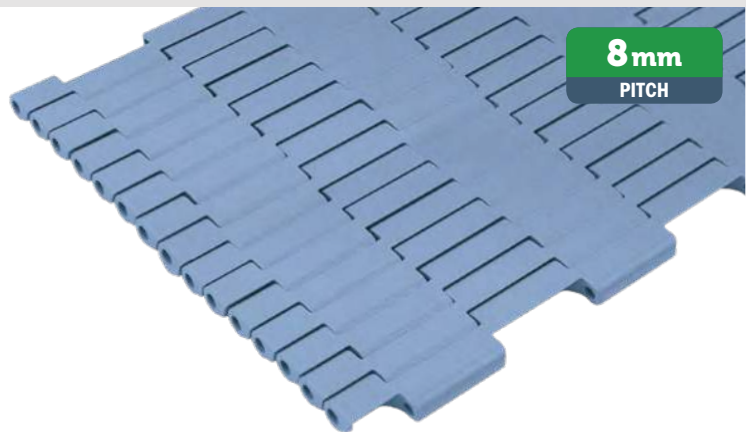
pg. 266



pg. 516->524



pg. 482



8 mm
PITCH

*Material

LFA - Code 01

Low friction Acetal

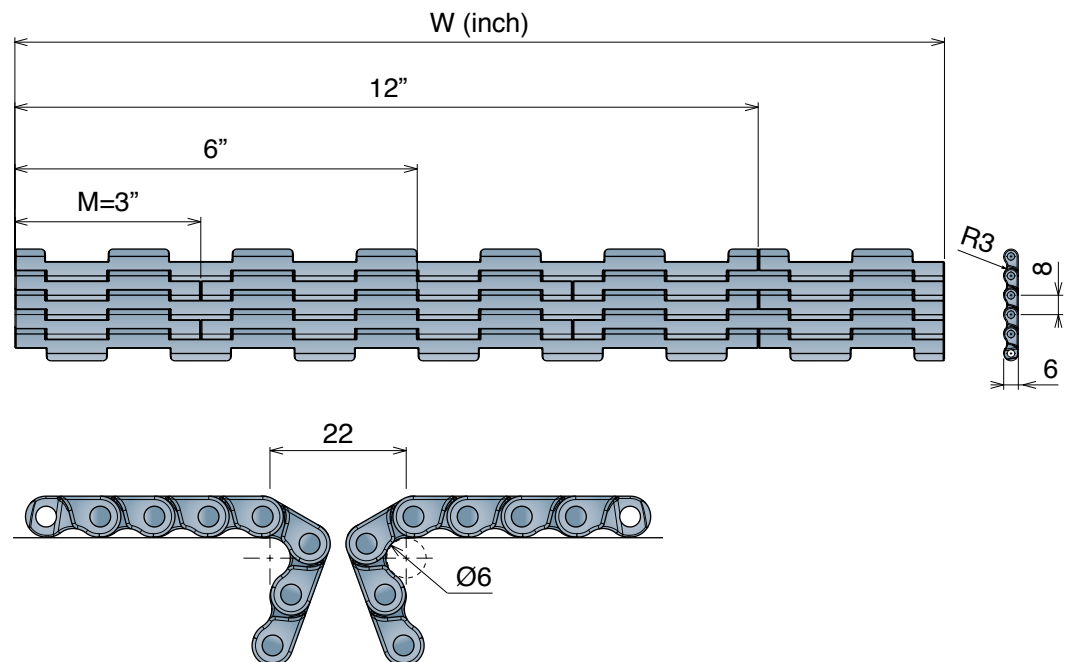
Max w. load: 3000 N/m
Weight: 5,8 kg/m²
Temp. range: dry -40+80 °C
wet -40+65 °C
Pin material: PBT white

MX - Code 03

Performance PBT

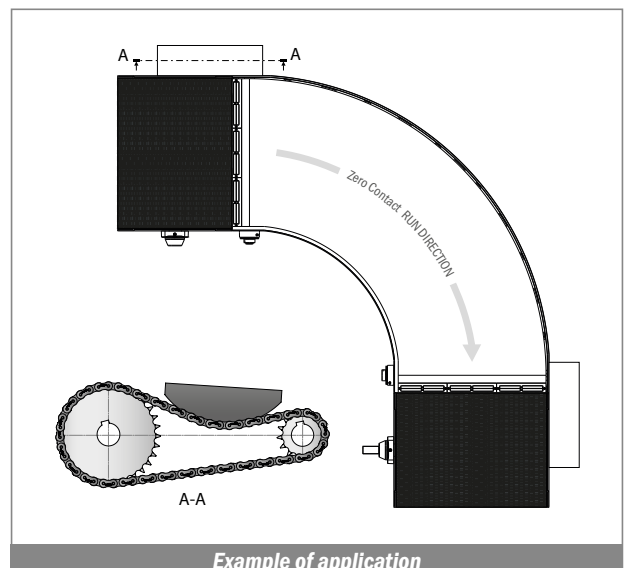
Max w. load: 2700 N/m
Weight: 5,5 kg/m²
Temp. range: dry -40+120 °C
wet -40+60 °C
Pin material: POM grey

Version A - Standard



Version A - Standard

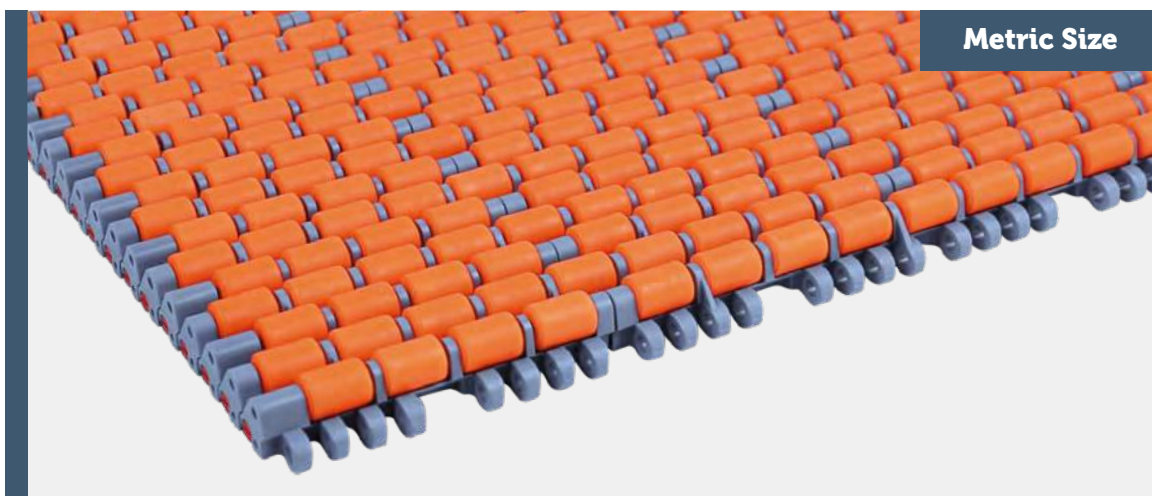
Series	Material	Width	Version
5331	*	0003	A
5331	*	0006	A
5331	*	0009	A
5331	*	0012	A
5331	*	0015	A
5331	*	0018	A
5331	*	0021	A
5331	*	0024	A
5331	*	0027	A
5331	*	0030	A
5331	*	0033	A
5331	*	0036	A
5331	*	0039	A
5331	*	0042	A
5331	*	0045	A
5331	*	0048	A



Example of application

520

Pitch 12,7 mm
H= 8,7 mm



520 FT
520 HD FT
520 FTT
520 FG
520 GT
520 LBP

520 PRO LBP
520 M

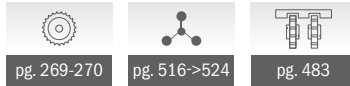
520 FT

Tappeto Modulare 520 FT, H=8,7 M=85
 Modular Belt Series 520 FT, H=8,7 M=85 / Modulare Mattenkette 520 FT, H=8,7 M=85

CODE STRUCTURE GUIDE			
(Example)			
5201	03	0340	C
Series	*Material	Width	Version

Backflex radius min.: 10 mm

12.7 mm
PITCH

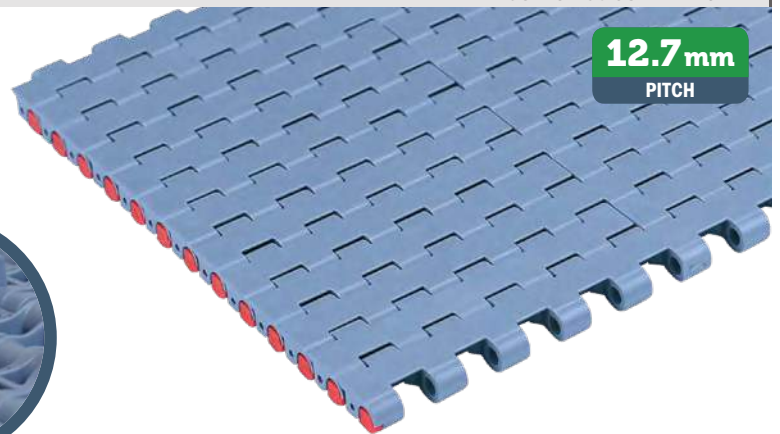
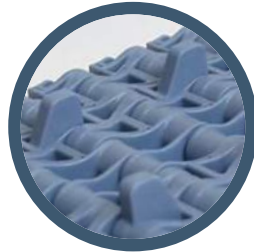


pg. 269-270

pg. 516->524

pg. 483

Reinforced positioner



***Material**

LFA - Code 01
Low friction Acetal

Easy Delivery

Max w. load: 21500 N/m
 Weight: 7,8 kg/m²
 Temp. range dry: -40+80 °C
 Temp. range wet: -40+65 °C
 Pin material: PBT white

MX - Code 03
Performance PBT

Max w. load: 17500 N/m
 Weight: 7,5 kg/m²
 Temp. range dry: -40+120 °C
 Temp. range wet: -40+60 °C
 Pin material: POM grey

MPX - Code 25
Lubricated Acetal

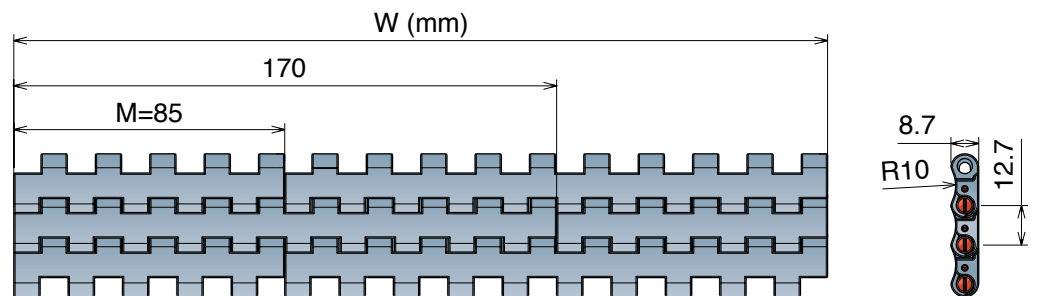
Max w. load: 21500 N/m
 Weight: 7,8 kg/m²
 Temp. range dry: -40+80 °C
 Temp. range wet: -40+65 °C
 Pin material: PBT white

PFX - Code 30
Extra performance PBT

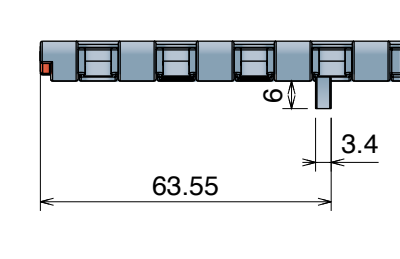
Max w. load: 17500 N/m
 Weight: 7,5 kg/m²
 Temp. range dry: -40+120 °C
 Temp. range wet: -40+60 °C
 Pin material: POM grey

THE BEST CHOICE FOR DRY RUNNING APPLICATIONS

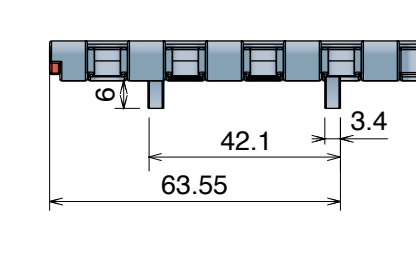
Version A - Standard



Version B - With 1 Positioner



Version C - With 2 Positioners



Version A - Standard

Series	Material	Width	Version
5201	*	0085	A
5201	*	0170	A
5201	*	0255	A
5201	*	0340	A
5201	*	0425	A
5201	*	0510	A
5201	*	0595	A
5201	*	0680	A
5201	*	0765	A
5201	*	0850	A
5201	*	0935	A
5201	*	1020	A
5201	*	1105	A
5201	*	1190	A
5201	*	1275	A
5201	*	1360	A
5201	*	1445	A
5201	*	1530	A

Version B - With 1 Positioner

Series	Material	Width	Version
5201	*	0085	B
5201	*	0170	B
5201	*	0255	B
5201	*	0340	B
5201	*	0425	B
5201	*	0510	B
5201	*	0595	B
5201	*	0680	B
5201	*	0765	B
5201	*	0850	B
5201	*	0935	B
5201	*	1020	B
5201	*	1105	B
5201	*	1190	B
5201	*	1275	B
5201	*	1360	B
5201	*	1445	B
5201	*	1530	B




Version C - With 2 Positioners

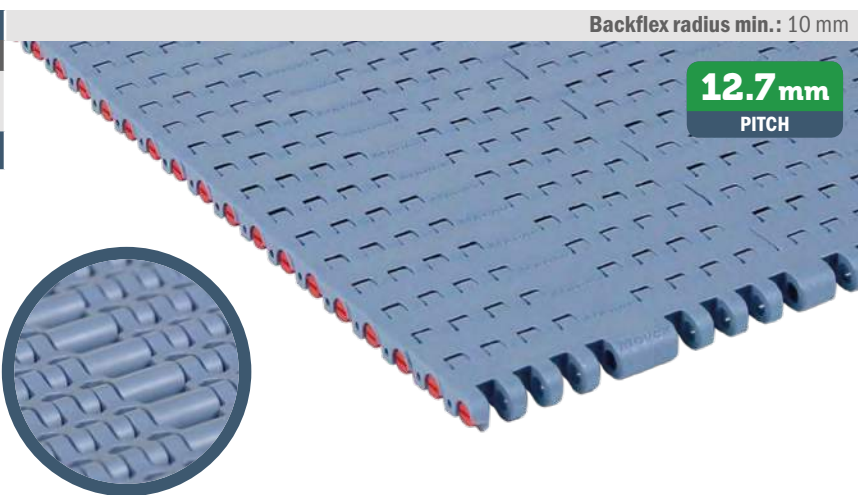
Series	Material	Width	Version
5201	*	0085	C
5201	*	0170	C
5201	*	0255	C
5201	*	0340	C
5201	*	0425	C
5201	*	0510	C
5201	*	0595	C
5201	*	0680	C
5201	*	0765	C
5201	*	0850	C
5201	*	0935	C
5201	*	1020	C
5201	*	1105	C
5201	*	1190	C
5201	*	1275	C
5201	*	1360	C
5201	*	1445	C
5201	*	1530	C

520 HD FT

Tappeto Modulare 520 HD, H=8,7 M=85
 Modular Belt Series 520 HD, H=8,7 M=85 / Modulare Mattenkette 520 HD, H=8,7 M=85

CODE STRUCTURE GUIDE			
(Example)			
5211	03	0340	C
Series	*Material	Width	Version

 pg. 267-268	 pg. 516->524	 pg. 482
---	--	---



Metric Size

***Material**

LFA - Code 01
 Low friction Acetal

Easy Delivery

Max w. load: 25500 N/m
 Weight: 7,8 kg/m²
 Temp. range dry: -40÷80 °C
 Temp. range wet: -40÷65 °C
 Pin material: PBT white

MX - Code 03
 Performance PBT

Max w. load: 20000 N/m
 Weight: 7,5 kg/m²
 Temp. range dry: -40÷120 °C
 Temp. range wet: -40÷60 °C
 Pin material: POM grey

MPX - Code 25
 Lubricated Acetal

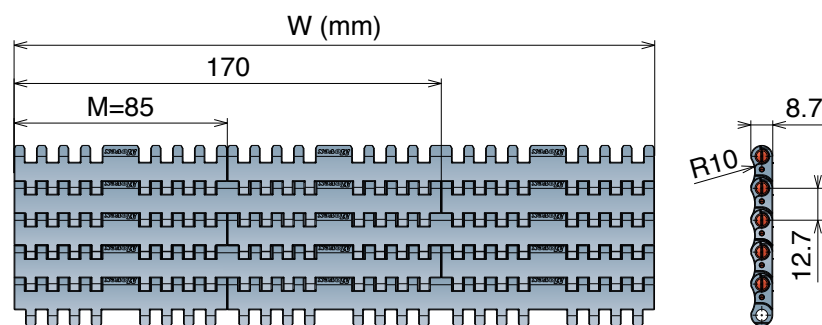
Max w. load: 25000 N/m
 Weight: 7,8 kg/m²
 Temp. range dry: -40÷80 °C
 Temp. range wet: -40÷65 °C
 Pin material: PBT white

PFX - Code 30
 Extra performance PBT

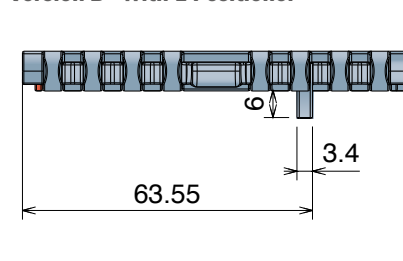
Max w. load: 20000 N/m
 Weight: 7,5 kg/m²
 Temp. range dry: -40÷120 °C
 Temp. range wet: -40÷60 °C
 Pin material: POM grey

THE BEST CHOICE FOR DRY RUNNING APPLICATIONS

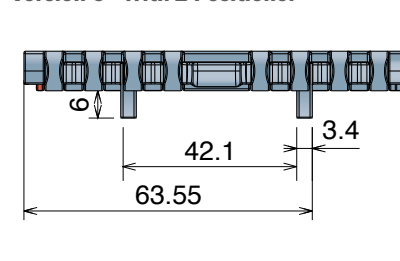
Version A - Standard



Version B - With 1 Positioner



Version C - With 2 Positioner



Version A - Standard

Series	Material	Width	Version
5211	*	0085	A
5211	*	0170	A
5211	*	0255	A
5211	*	0340	A
5211	*	0425	A
5211	*	0510	A
5211	*	0595	A
5211	*	0680	A

Version B - With 1 Positioner

Series	Material	Width	Version
5211	*	0085	B
5211	*	0170	B
5211	*	0255	B
5211	*	0340	B
5211	*	0425	B
5211	*	0510	B
5211	*	0595	B
5211	*	0680	B

Version C - With 2 Positioners

Series	Material	Width	Version
5211	*	0085	C
5211	*	0170	C
5211	*	0255	C
5211	*	0340	C
5211	*	0425	C
5211	*	0510	C
5211	*	0595	C
5211	*	0680	C

Advantages:

- ▶ Improved working load
- ▶ Easy installation
- ▶ Rigidity
- ▶ Product stability

520 FTT

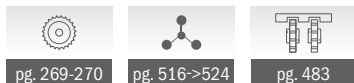
Tappeto Modulare 520 FTT, H=8,7 M=85

Modular Belt Series 520 FTT, H=8,7 M=85 / Modulare Mattenkette 520 FTT, H=8,7 M=85

CODE STRUCTURE GUIDE			
(Example)			
5206	01	0170	CN
Series	*Material	Width	Version

Backflex radius min.: 10 mm

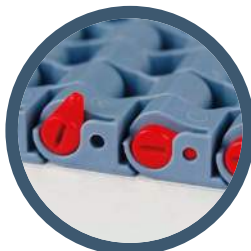
12.7 mm
PITCH



pg. 269-270

pg. 516->524

pg. 483



*Material

LFA - Code 01

Low friction Acetal

Easy Delivery

Max w. load: 21500 N/m
Weight: 7,8 kg/m²
Temp. range dry: -40÷80 °C
Temp. range wet: -40÷65 °C
Pin material: PBT white

PP - Code 02

Polypropylene

Max w. load: 13000 N/m
Weight: 7,5 kg/m²
Temp. range dry: 4÷80 °C
Temp. range wet: 4÷65 °C
Pin material: PP blu

MX - Code 03

Performance PBT

Max w. load: 17500 N/m
Weight: 7,5 kg/m²
Temp. range dry: -40÷120 °C
Temp. range wet: 40÷60 °C
Pin material: POM grey

DKM - Code 16

Aramid Reinforced Acetal

Max w. load: 21500 N/m
Weight: 7,8 kg/m²
Temp. range dry: -40÷80 °C
Temp. range wet: -40÷65 °C
Pin material: PBT white

MWX - Code 17

Polyamide Composite

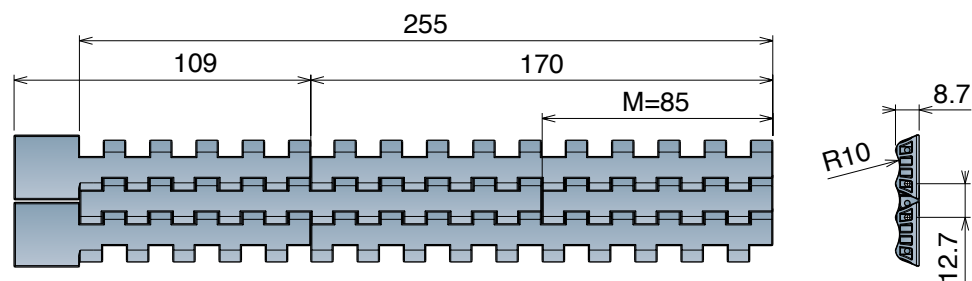
Max w. load: 21500 N/m
Weight: 7,8 kg/m²
Temp. range dry: -40÷104 °C
Temp. range wet: NR
Pin material: PBT white

MPX - Code 25

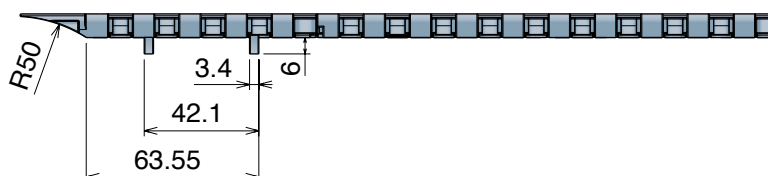
Lubricated Acetal

Max w. load: 21500 N/m
Weight: 7,8 kg/m²
Temp. range dry: -40÷80 °C
Temp. range wet: -40÷65 °C
Pin material: PBT white

Version C



Version CN - Near



Version C0 - Opposite



Version C

Series	Material	Width	Version
5206	*	0085	C

Version CN - Near

Series	Material	Width	Version
5206	*	0170	CN
5206	*	0255	CN

Version C0 - Opposite

Series	Material	Width	Version
5206	*	0170	C0
5206	*	0255	C0

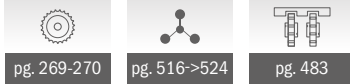
On request available with bigger/different width

520 FG Open Surface 25% Tappeto Modulare 520 FG, H=8,7 M=85 Modular Belt Series 520 FG, H=8,7 M=85 / Modulare Mattenkette 520 FG, H=8,7 M=85

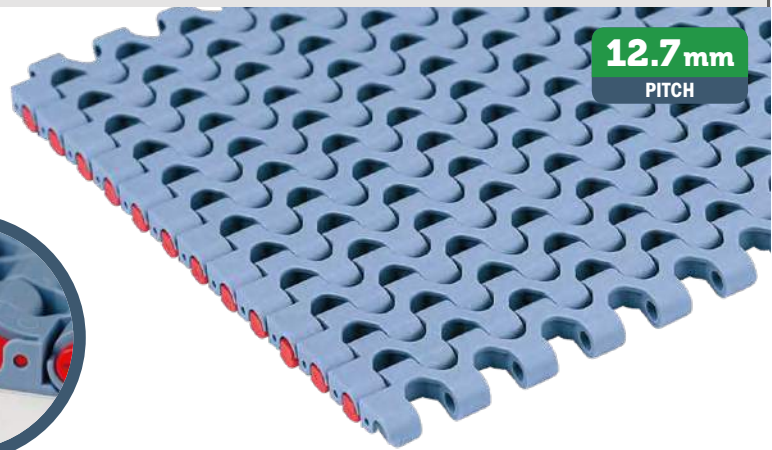
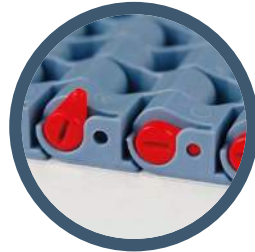
CODE STRUCTURE GUIDE			
(Example)			
5202	01	0765	A
Series	*Material	Width	Version

Backflex radius min.: 10 mm

12.7mm
PITCH



pg. 269-270 pg. 516->524 pg. 483



Metric Size

*Material

LFA - Code 01
Low friction Acetal
Easy Delivery

Max w. load: 21500 N/m
Weight: 7,5 kg/m²
Temp. range dry: -40+80 °C
Temp. range wet: -40+65 °C
Pin material: PBT white

PP - Code 02
Polypropylene

Max w. load: 13000 N/m
Weight: 7,5 kg/m²
Temp. range dry: 4+80 °C
Temp. range wet: 4+65 °C
Pin material: PP blu

MX - Code 03
Performance PBT

Max w. load: 17500 N/m
Weight: 7,2 kg/m²
Temp. range dry: -40+120 °C
Temp. range wet: -40+60 °C
Pin material: POM grey

DKM - Code 16
Aramide Reinforced Acetal

Max w. load: 21500 N/m
Weight: 7,5 kg/m²
Temp. range dry: -40+80 °C
Temp. range wet: -40+65 °C
Pin material: PBT white

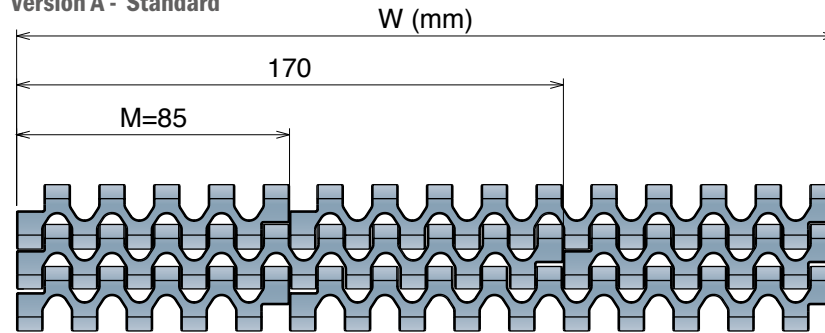
MWX - Code 17
Polyamide Composite

Max w. load: 21500 N/m
Weight: 7,8 kg/m²
Temp. range dry: -40+104 °C
Temp. range wet: NR
Pin material: PBT white

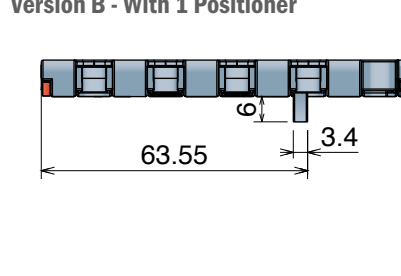
MPX - Code 25
Lubricated Acetal

Max w. load: 21500 N/m
Weight: 7,5 kg/m²
Temp. range dry: -40+80 °C
Temp. range wet: -40+65 °C
Pin material: PBT white

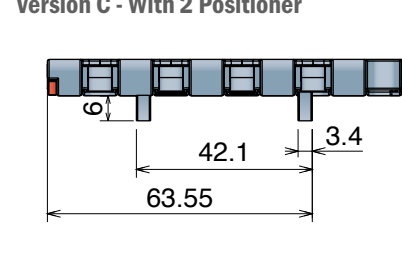
Version A - Standard



Version B - With 1 Positioner



Version C - With 2 Positioner



Version A - Standard

Series	Material	Width	Version
5202	*	0085	A
5202	*	0170	A
5202	*	0255	A
5202	*	0340	A
5202	*	0425	A
5202	*	0510	A
5202	*	0595	A
5202	*	0680	A
5202	*	0765	A
5202	*	0850	A
5202	*	0935	A
5202	*	1020	A
5202	*	1105	A
5202	*	1190	A
5202	*	1275	A
5202	*	1360	A
5202	*	1445	A
5202	*	1530	A

Version B - With 1 Positioner

Series	Material	Width	Version
5202	*	0085	B
5202	*	0170	B
5202	*	0255	B
5202	*	0340	B
5202	*	0425	B
5202	*	0510	B
5202	*	0595	B
5202	*	0680	B
5202	*	0765	B
5202	*	0850	B
5202	*	0935	B
5202	*	1020	B
5202	*	1105	B
5202	*	1190	B
5202	*	1275	B
5202	*	1360	B
5202	*	1445	B
5202	*	1530	B

Version C - With 2 Positioners

Series	Material	Width	Version
5202	*	0085	C
5202	*	0170	C
5202	*	0255	C
5202	*	0340	C
5202	*	0425	C
5202	*	0510	C
5202	*	0595	C
5202	*	0680	C
5202	*	0765	C
5202	*	0850	C
5202	*	0935	C
5202	*	1020	C
5202	*	1105	C
5202	*	1190	C
5202	*	1275	C
5202	*	1360	C
5202	*	1445	C
5202	*	1530	C

520 GT

Tappeto Modulare 520 GT, H=8,7 M=85
 Modular Belt Series 520 GT, H=8,7 M=85 / Modulare Mattenkette 520 GT, H=8,7 M=85




CODE STRUCTURE GUIDE

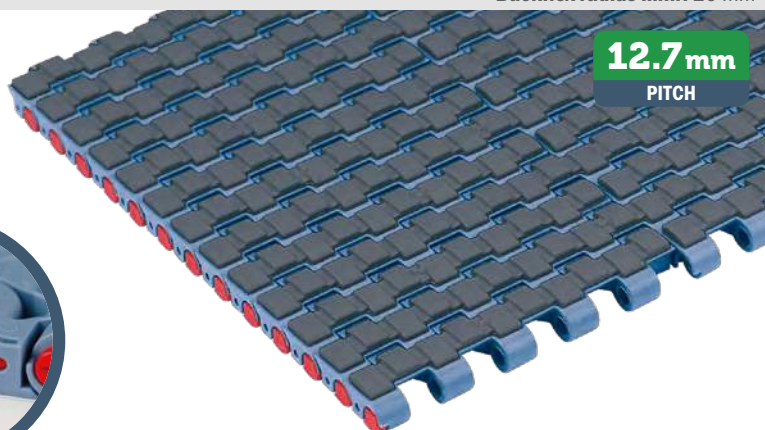
(Example)

5203	02	0510	B-S
Series	*Material	Width	Version

Backflex radius min.: 20 mm

12.7 mm
PITCH

		
pg. 269-270	pg. 516->524	pg. 483



*Material

LFA - Code 01

Low friction Acetal

Easy Delivery

Max w. load: 21500 N/m
 Weight: 9,0 kg/m²
 Temp. range dry: -40+80 °C
 Temp. range wet: -40+65 °C
 Pin material: PBT white
 Hardness of
 Grip top Rubber: 50 ShA

PP - Code 02

Polypropylene

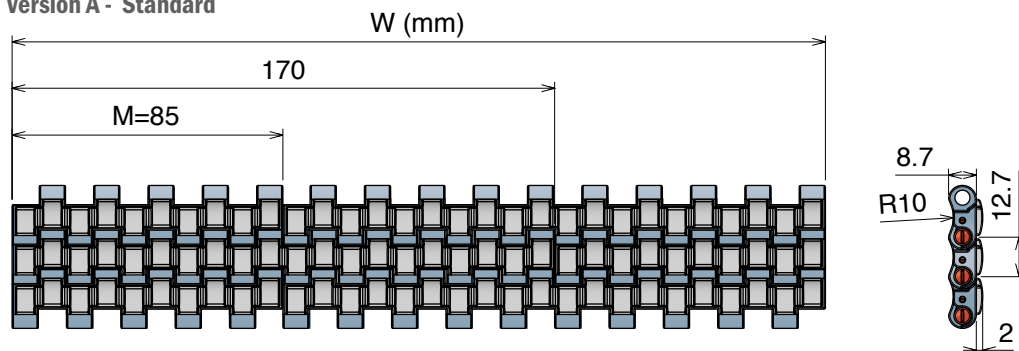
Max w. load: 13000 N/m
 Weight: 7,5 kg/m²
 Temp. range dry: 4+80 °C
 Temp. range wet: 4+65 °C
 Pin material: PP blu
 Hardness of
 Grip top Rubber: 50 ShA

MX - Code 03

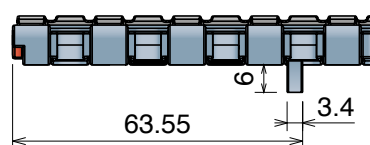
Performance PBT

Max w. load: 17500 N/m
 Weight: 9,3 kg/m²
 Temp. range dry: -40+120 °C
 Temp. range wet: -40+60 °C
 Pin material: POM grey
 Hardness of
 Grip top Rubber: 50 ShA

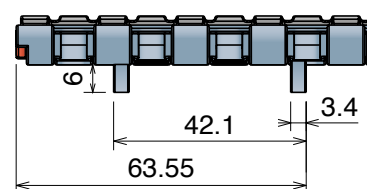
Version A - Standard



Version B - With 1 Positioner



Version C - With 2 Positioners



Version A - Standard

Series	Material	Width	Version
5203	*	0085	A
5203	*	0170	A
5203	*	0255	A
5203	*	0340	A
5203	*	0425	A
5203	*	0510	A
5203	*	0595	A
5203	*	0680	A
5203	*	0765	A
5203	*	0850	A
5203	*	0935	A
5203	*	1020	A
5203	*	1105	A
5203	*	1190	A
5203	*	1275	A
5203	*	1360	A
5203	*	1445	A
5203	*	1530	A

Version B - With 1 Positioner

Series	Material	Width	Version
5203	*	0085	B
5203	*	0170	B
5203	*	0255	B
5203	*	0340	B
5203	*	0425	B
5203	*	0510	B
5203	*	0595	B
5203	*	0680	B
5203	*	0765	B
5203	*	0850	B
5203	*	0935	B
5203	*	1020	B
5203	*	1105	B
5203	*	1190	B
5203	*	1275	B
5203	*	1360	B
5203	*	1445	B
5203	*	1530	B

Version C - With 2 Positioners

Series	Material	Width	Version
5203	*	0085	C
5203	*	0170	C
5203	*	0255	C
5203	*	0340	C
5203	*	0425	C
5203	*	0510	C
5203	*	0595	C
5203	*	0680	C
5203	*	0765	C
5203	*	0850	C
5203	*	0935	C
5203	*	1020	C
5203	*	1105	C
5203	*	1190	C
5203	*	1275	C
5203	*	1360	C
5203	*	1445	C
5203	*	1530	C

520 LBP

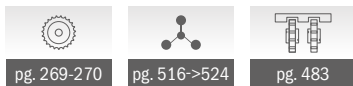
Tappeto Modulare 520 LBP, H=8,7 M=85

Modular Belt Series 520 LBP, H=8,7 M=85 / Modulare Mattenkette 520 LBP, H=8,7 M=85

CODE STRUCTURE GUIDE			
(Example)			
5204	01	1530	C
Series	*Material	Width	Version

Backflex radius min.: 65 mm

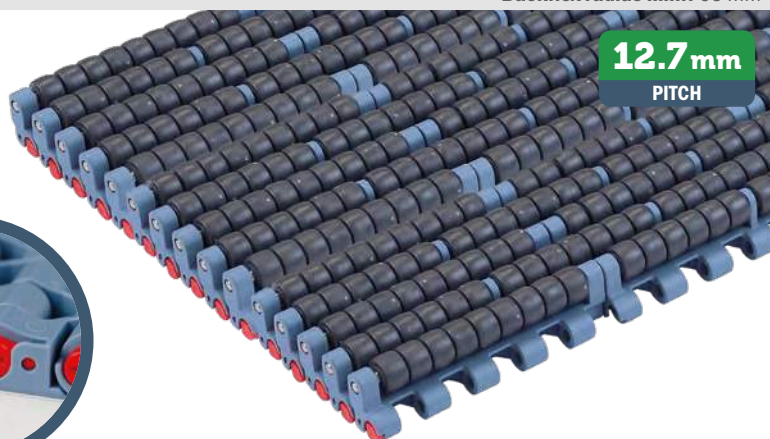
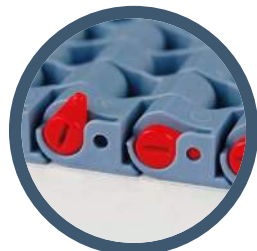
12.7mm
PITCH



pg. 269-270

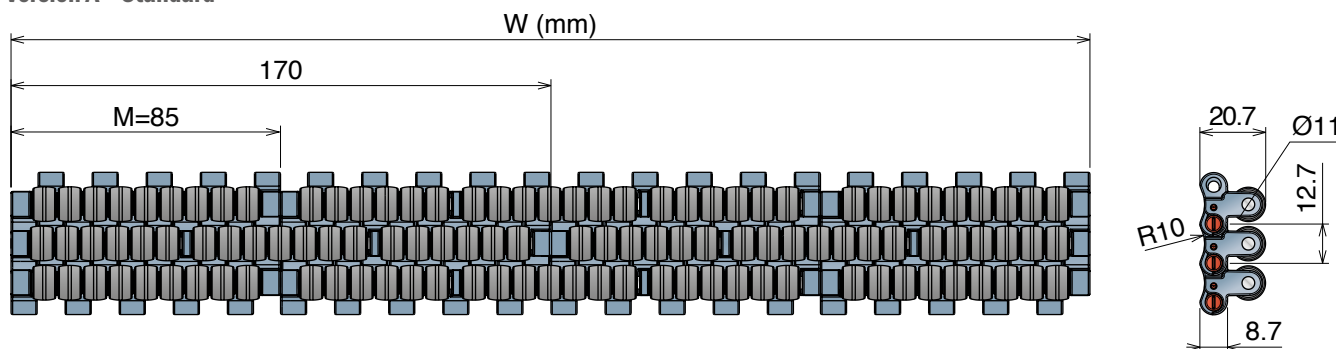
pg. 516->524

pg. 483



Metric Size

Version A - Standard



*Material

LFA - Code 01

Low friction Acetal

Max w. load: 21500 N/m

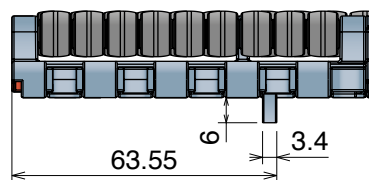
Weight: 24,0 kg/m²

Temp. range dry: -40÷80 °C

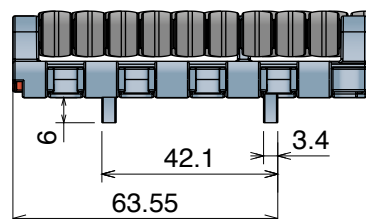
Temp. range wet: 1÷65 °C

Pin material: PBT white

Version B - With 1 Positioner



Version C - With 2 Positioner



Version A - Standard

Series	Material	Width	Version
5204	*	0085	A
5204	*	0170	A
5204	*	0255	A
5204	*	0340	A
5204	*	0425	A
5204	*	0510	A
5204	*	0595	A
5204	*	0680	A
5204	*	0765	A
5204	*	0850	A
5204	*	0935	A
5204	*	1020	A
5204	*	1105	A
5204	*	1190	A
5204	*	1275	A
5204	*	1360	A
5204	*	1445	A
5204	*	1530	A

Version B - With 1 Positioner

Series	Material	Width	Version
5204	*	0085	B
5204	*	0170	B
5204	*	0255	B
5204	*	0340	B
5204	*	0425	B
5204	*	0510	B
5204	*	0595	B
5204	*	0680	B
5204	*	0765	B
5204	*	0850	B
5204	*	0935	B
5204	*	1020	B
5204	*	1105	B
5204	*	1190	B
5204	*	1275	B
5204	*	1360	B
5204	*	1445	B
5204	*	1530	B

Version C - With 2 Positioners

Series	Material	Width	Version
5204	*	0085	C
5204	*	0170	C
5204	*	0255	C
5204	*	0340	C
5204	*	0425	C
5204	*	0510	C
5204	*	0595	C
5204	*	0680	C
5204	*	0765	C
5204	*	0850	C
5204	*	0935	C
5204	*	1020	C
5204	*	1105	C
5204	*	1190	C
5204	*	1275	C
5204	*	1360	C
5204	*	1445	C
5204	*	1530	C

520 PRO LBP

Tappeto Modulare 520 PRO LBP, H=8,7 M=85

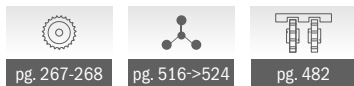
Modular Belt Series 520 PRO LBP, H=8,7 M=85 / Modulare Mattenkette 520 PRO LBP, H=8,7 M=85

Metric Size

CODE STRUCTURE GUIDE			
(Example)			
5210	01	0085	C
Series	Material	Width	Version

Backflex radius min.: 40 mm

12.7 mm
PITCH



pg. 267-268

pg. 516->524

pg. 482

Standard with PFX rollers

Material

LFA - Code 01
Low friction Acetal

Max w. load: 25000 N/m
Weight SS pin: 19,0 kg/m²
Weight Plastic pin: 15,3 kg/m²
Temp. range dry: -40÷80 °C
Temp. range wet: -40÷65 °C
Pin material: PBT white

PFX Roller

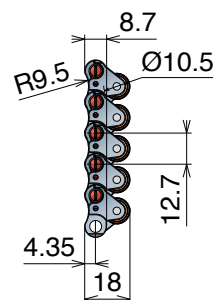
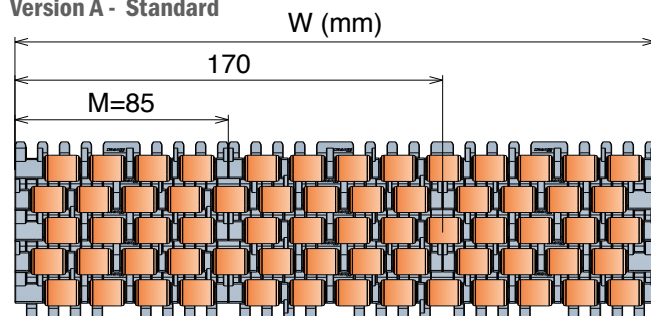
THE BEST CHOICE FOR DRY RUNNING APPLICATIONS

Patented

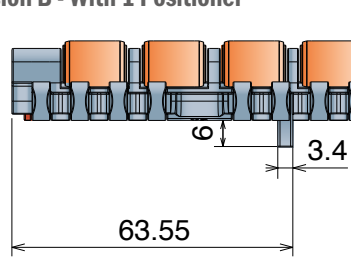


Bottom view

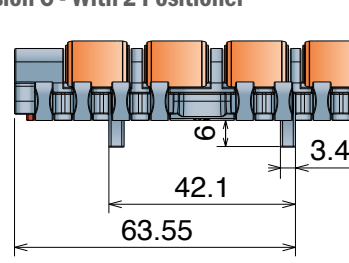
Version A - Standard



Version B - With 1 Positioner



Version C - With 2 Positioner



Stainless steel Pin

Series	Material	Width	*Version
5209	01	0085	*
5209	01	0170	*
5209	01	0255	*
5209	01	0340	*
5209	01	0425	*
5209	01	0510	*
5209	01	0595	*
5209	01	0680	*



Plastic Pin

Series	Material	Width	*Version
5210	01	0085	*
5210	01	0170	*
5210	01	0255	*
5210	01	0340	*
5210	01	0425	*
5210	01	0510	*
5210	01	0595	*
5210	01	0680	*

*Version

Standard

Add A

With 1 Positioner

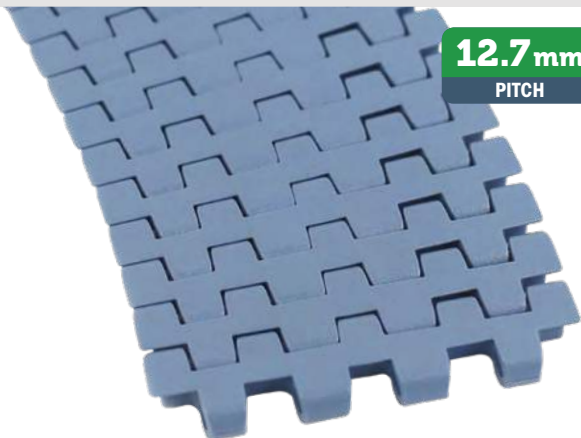
Add B





With 2 Positioners

Add C

520 M

Tappeto Modulare 520 M, H=8,7 K 330
 Modular Belt Series 520 M, H=8,7 K 330 / Modulare Mattenkette 520 M, H=8,7 K 330

Part	Article-Nr.	Ref.	A	Weight	*Material	Backflex radius min.: 15 mm
1193	1193019330	520 M K330	83,8	1,11	LFA	 <div style="background-color: green; color: white; padding: 5px; display: inline-block;">12.7mm PITCH</div>
1193	1193039330	520 M K330	83,8	1,11	MX	

 10 feet 3.048 m			
240 links	pg. 269-270	pg. 155->161	pg. 516->524

Magnetic System

*Material

LFA - Code 01
 Low friction Acetal

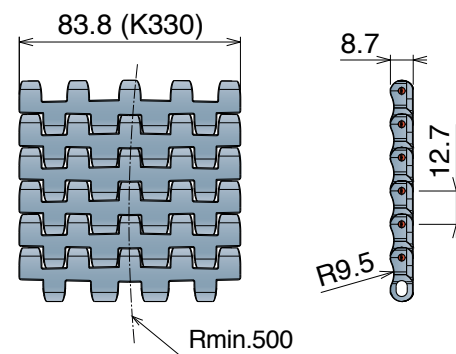
Easy Delivery

Max w. load: 2500 N/m
 Weight: 7,5 kg/m²
 Temp. range dry: -40÷80 °C
 Temp. range wet: -40÷65 °C
 Pin material: Ferritic
 Stainless Steel

MX - Code 03
 Performance PBT

Max w. load: 2000 N/m
 Weight: 7,2 kg/m²
 Temp. range dry: -40÷120 °C
 Temp. range wet: -40÷60 °C
 Pin material: Ferritic
 Stainless Steel

Version A - Standard



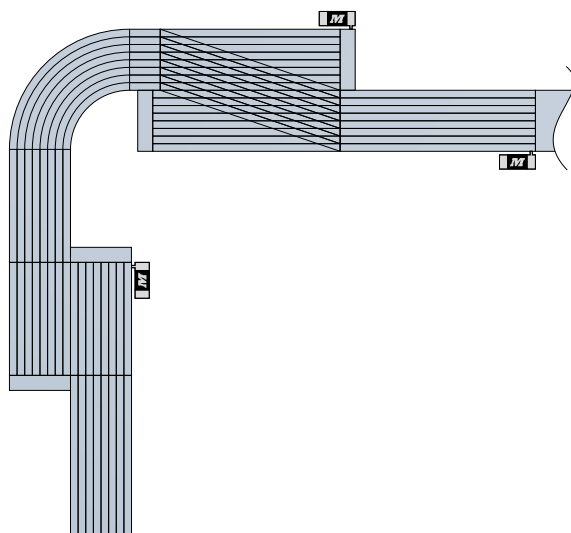
Advantages:

- No side transfer
- Space saving

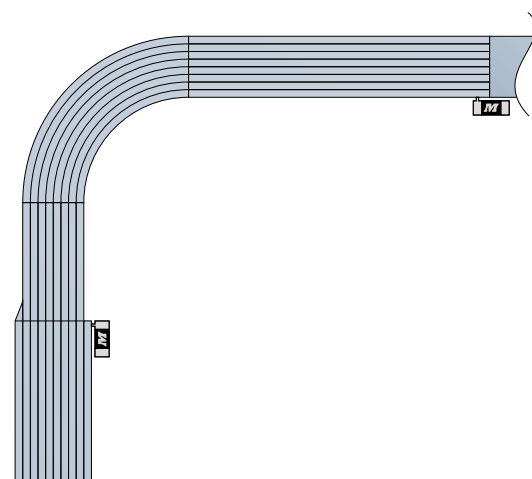
Cost savings:

- Less belt required
- Less conveyor length required
- Less guides required
- Less drives required

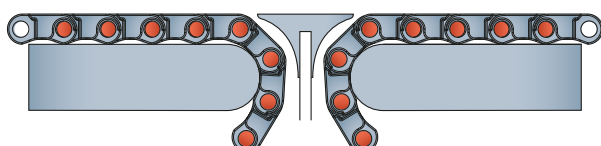
Coventional layout



Layout with 520 M K330



Transfer plate system recommended



521

Pitch 12,7 mm
H= 8,7 mm



Imperial Size

521 FT

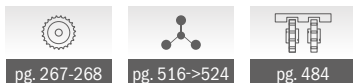
521 FT

Tappeto Modulare 521 FT, H=8,7 M=7,5"
 Modular Belt Series 521 FT, H=8,7 M=7,5" / Modulare Mattenkette 521 FT, H=8,7 M=7,5"

CODE STRUCTURE GUIDE			
(Example)			
5311	01	9750	C
Series	*Material	Width	Version

Backflex radius min.: 10 mm

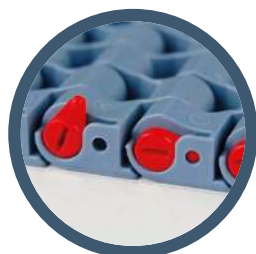
12.7mm
PITCH



pg. 267-268

pg. 516->524

pg. 484



Imperial Size

*Material

LFA - Code 01

Low friction Acetal

Easy Delivery

Max w. load: 21500 N/m
 Weight: 8,0 kg/m²
 Temp. range dry: -40÷80 °C
 Temp. range wet: -40÷65 °C
 Pin material: PBT white

MX - Code 03

Performance PBT

Max w. load: 17500 N/m
 Weight: 7,8 kg/m²
 Temp. range dry: -40÷120 °C
 Temp. range wet: -40÷60 °C
 Pin material: POM grey

DKM - Code 16

Aramide Reinforced Acetal

Max w. load: 21500 N/m
 Weight: 8,0 kg/m²
 Temp. range dry: -40÷80 °C
 Temp. range wet: -40÷65 °C
 Pin material: PBT white

MWX - Code 17

Polyamide Composite

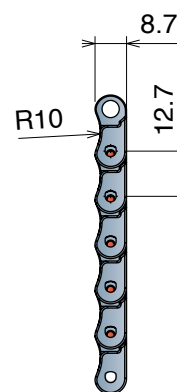
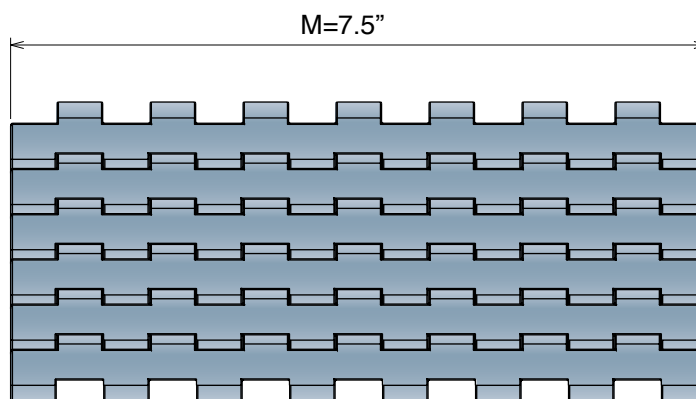
Max w. load: 21500 N/m
 Weight: 8,3 kg/m²
 Temp. range dry: -40÷104 °C
 Temp. range wet: NR
 Pin material: PBT white

MPX - Code 25

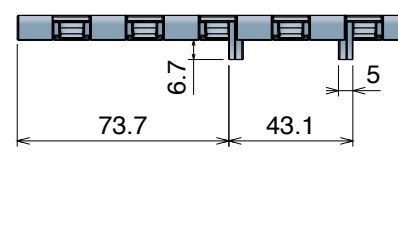
Lubricated Acetal

Max w. load: 21500 N/m
 Weight: 8,0 kg/m²
 Temp. range dry: -40÷80 °C
 Temp. range wet: -40÷65 °C
 Pin material: PBT white

Version A - Standard



Version C - With 2 Positioner



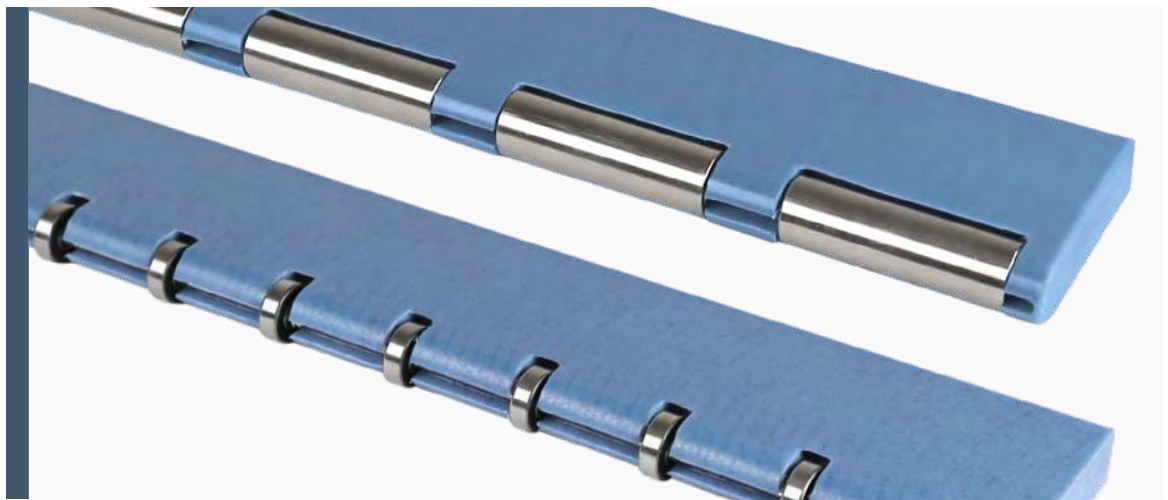
Version A - Standard

Series	Material	Width	Version
5311	*	9750	A

Version C - With 2 Positioners

Series	Material	Width	Version
5311	*	9750	C

228



228 One piece with Rollers / 228 One piece with Bearings

228 Standard transfer plate

228 Transfer plate with Rollers

228 Transfer plate with Bearings

228 Transfer plate for modular belt with Positioner and Bearings

228 Transfer plate for Micropitch

New

Materiale / Material / Materialien:
BluLub
Rollers: Acciaio inox/Stainless steel/Edelstahl

228 One piece
Tappeti modulari / Modular belts / Mattenketten

228 One piece

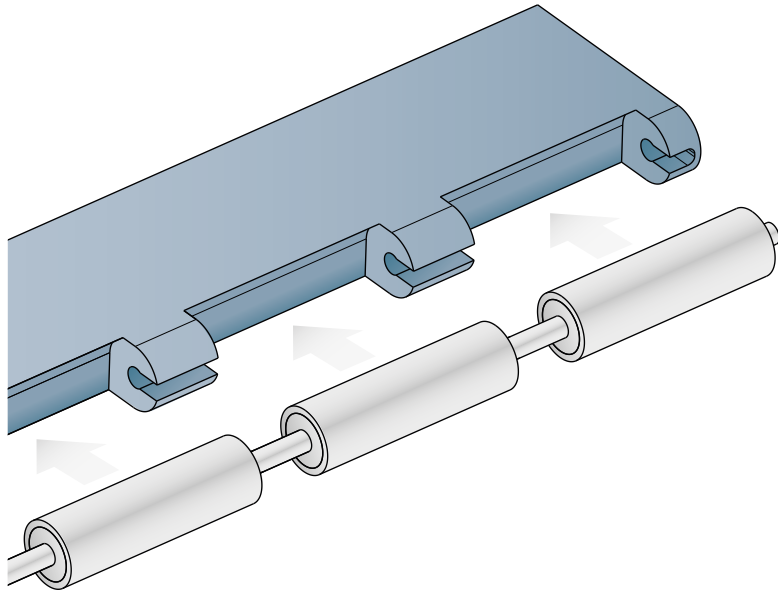
Piatto di trasferimento / Transfer Plate / Überschubplatte

Patented

Used with belt series 520 - 521 - 525 - 530

Transfer plate with rollers

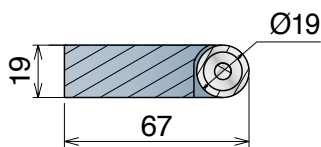
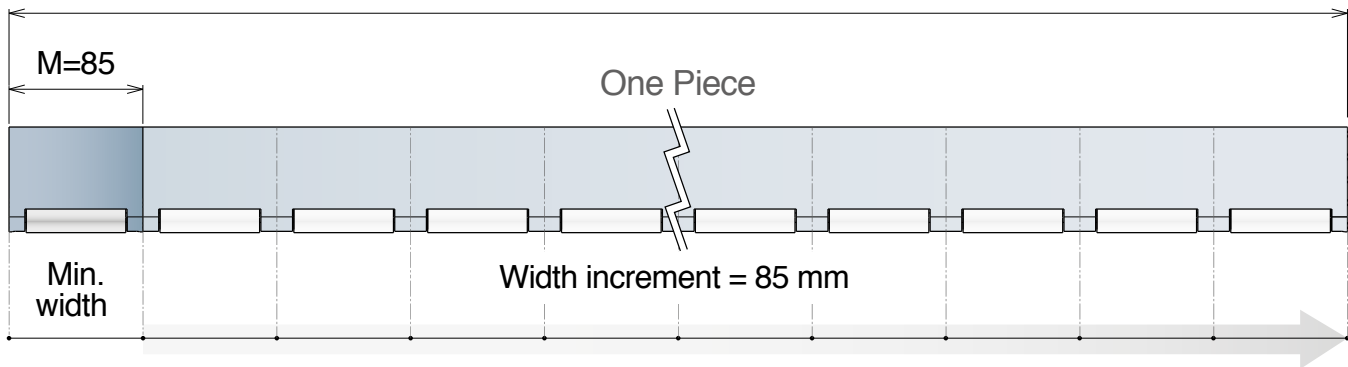
The **One piece** patent, thanks to the new coupling system minimise the time necessary for the maintenance and allow the possibility to create a "one-piece", easy to clean and guarantee for a greater hygiene.



Advantages:

- ▶ Single piece
- ▶ Improved strenght
- ▶ Fast maintenance
- ▶ Greater hygiene
- ▶ Easy clean
- ▶ Less fixing point

Max width available = 1500 mm



Part	Article-Nr.	K
228	2280425B	425
228	2280510B	510
228	2280595B	595
228	2280680B	680
228	2280765B	765
228	2280850B	850

Order table

Width	Holes	<input type="checkbox"/> YES	<input type="checkbox"/> NO
Characteristic			

Available different widths and with holes on request.

228 One piece

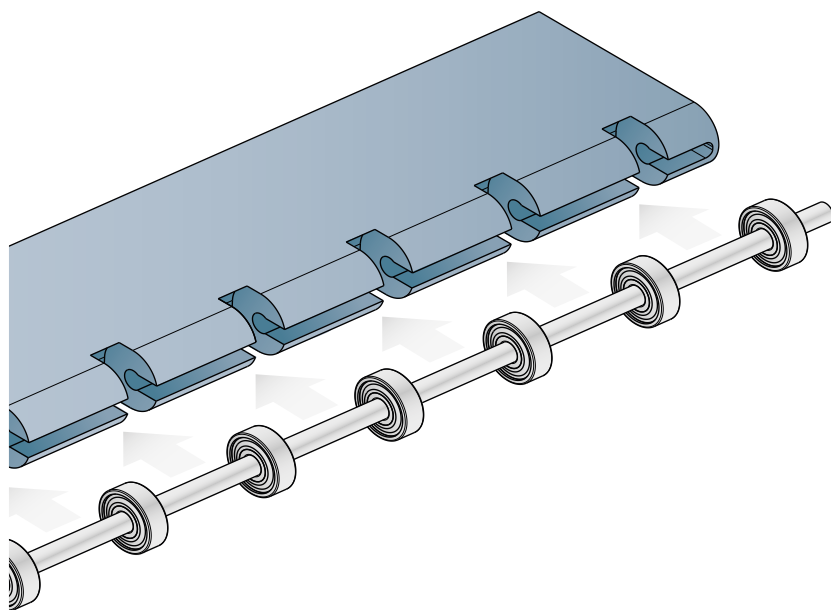
Piatto di trasferimento / Transfer Plate / Überschubplatte

Patented

Used with belt series 520 - 521 - 525 - 530

Transfer plate with bearings

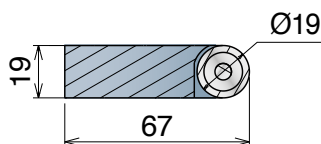
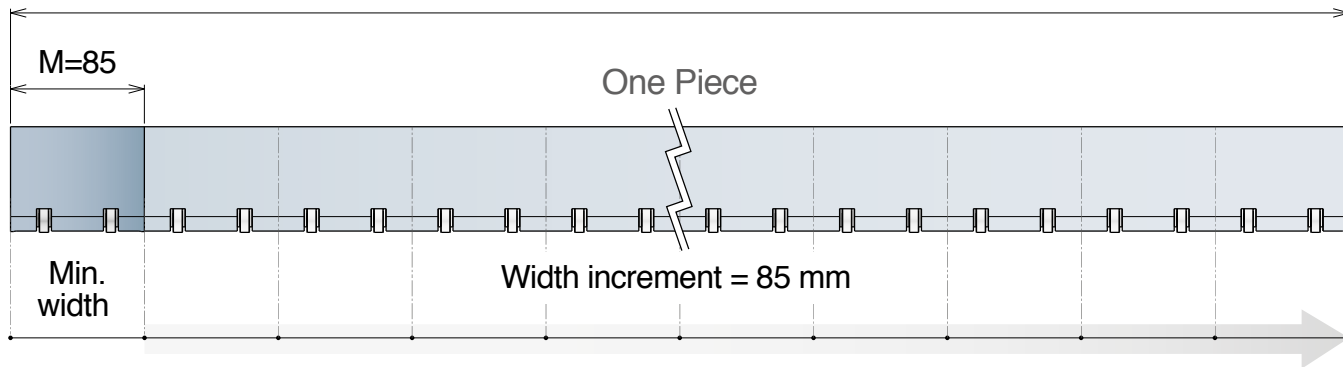
The **One piece** patent, thanks to the new coupling system minimise the time necessary for the maintenance and allow the possibility to create a "one-piece", easy to clean and guarantee for a greater hygiene.



Advantages:

- ▶ Single piece
- ▶ Improved strenght
- ▶ Fast maintenance
- ▶ Greater hygiene
- ▶ Easy clean
- ▶ Less fixing point

Max width available = 1500 mm



Part	Article-Nr.	K
228	2280425C	425
228	2280510C	510
228	2280595C	595
228	2280680C	680
228	2280765C	765
228	2280850C	850

Available different widths and with holes on request.

Order table

Width	Holes	<input type="checkbox"/> YES	<input type="checkbox"/> NO
Characteristic			

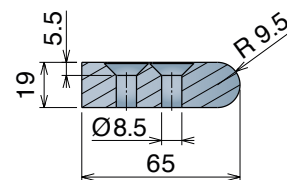
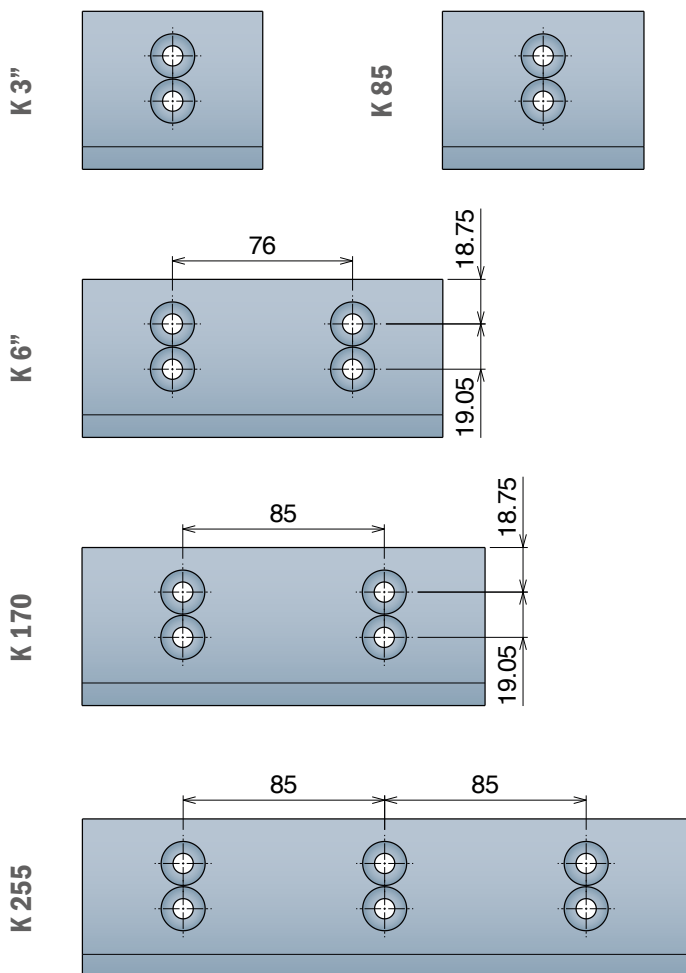
228

Piatto di trasferimento
 Transfer Plate / Überschubplatte

Delivery: **Easy** **Standard** Max recommended tightening torque 2,0 Nm

Used with belt series 520 - 521 - 525 - 530

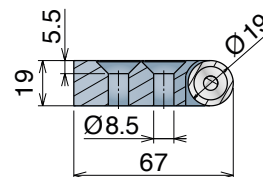
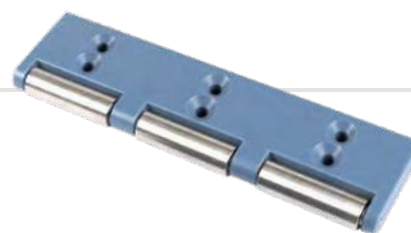
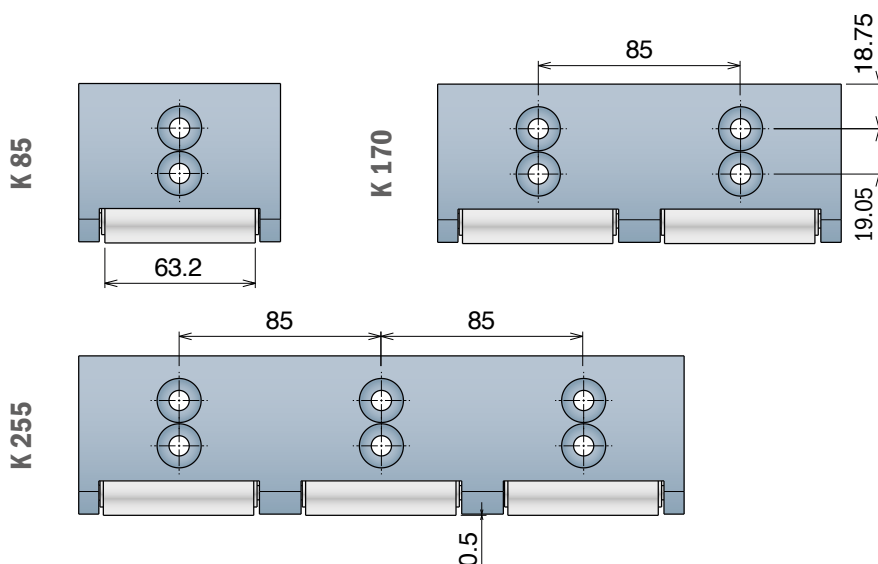
Standard transfer plate



Part	Article-Nr.	K
228	22801	85
228	22802	170
228	22803	255
228	22808	76
228	22809	152,4

Available in different widths on request.

Transfer plate with rollers



Part	Article-Nr.	K
228	22814	85
228	22815	170
228	22816	255

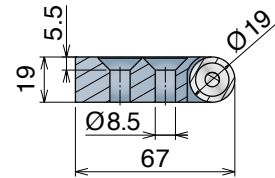
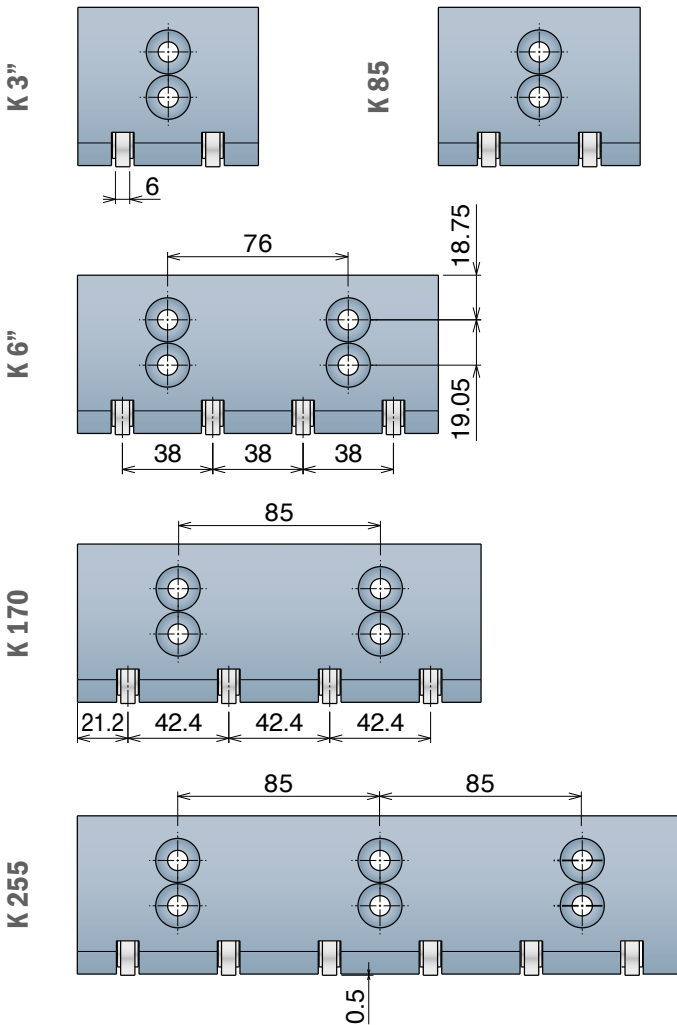
Available in different widths on request.

228 Piatto di trasferimento Transfer Plate / Überschubplatte

Delivery: **Easy** **Standard** Max recommended tightening torque 2,0 Nm

Used with belt series 520 - 521 - 525 - 530

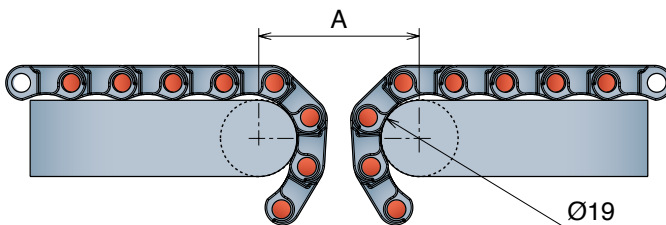
Transfer plate with bearings



Part	Article-Nr.	K
228	22861	75.8
228	22811	85
228	22862	151.8
228	22812	170
228	22813	255

Available in different widths on request.

INSTALLATION TIPS



Belt type 1	Belt type 2	A
FT/ FG	FT/ FG	40
FT/ FG	GT	42
FT/ FG	LBP	53
GT	GT	44
GT	LBP	55
LBP	LBP	65



Transfer plate with roller



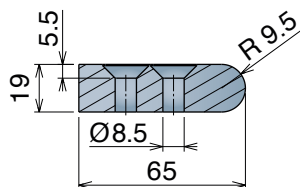
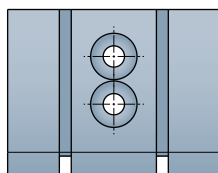
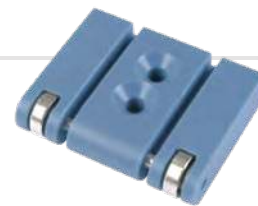
Transfer plate

228

Piatto di trasferimento
 Transfer Plate / Überschubplatte

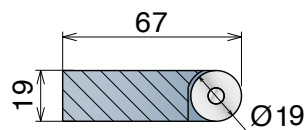
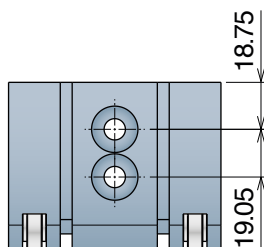
Used with belt series 520 - 525

Transfer plate for modular belt with positioner and Bearings



Part	Article-Nr.	K
228	22807	85

Available in different widths on request.



Part	Article-Nr.	K
228	22817	85

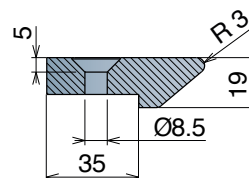
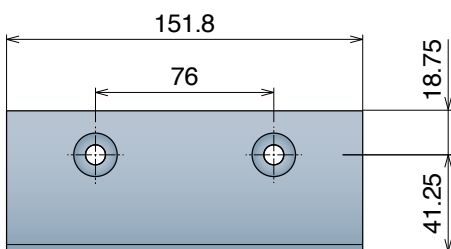
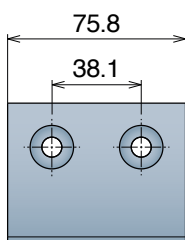
Available in different widths on request.

228

Piatto di trasferimento
 Transfer Plate / Überschubplatte

Used with belt series 510

Transfer plate for micropitch



Part	Article-Nr.	K
228	22818	75.8
228	22819	151.8

Available in different widths on request.

590 Series

590

Pitch 19,05 mm
H= 8,7 mm



590 FT
590 FT *One track Belt*
590 FTT

Movex[®]

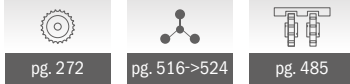
590 FT

Tappeto Modulare 590 FT, H=8,7 M=3"
 Modular Belt Series 590 FT, H=8,7 M=3" / Modulare Mattenkette 590 FT, H=8,7 M=3"

CODE STRUCTURE GUIDE			
(Example)			
5301	01	0009	C
Series	*Material	Width	Version

Backflex radius min.: 25 mm

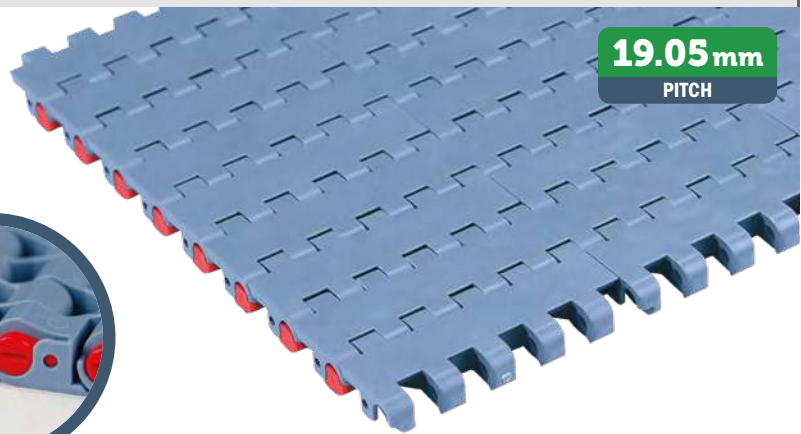
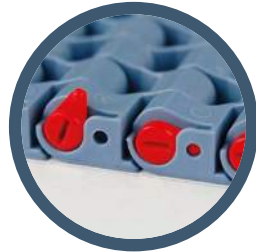
19.05mm
PITCH



pg. 272

pg. 516->524

pg. 485



Imperial Size

*Material

LFA - Code 01

Low friction Acetal

Easy Delivery

Max w. load: 30000 N/m
 Weight: 7,2 kg/m²
 Temp. range dry: -40÷80 °C
 Temp. range wet: -40÷65 °C
 Pin material: PBT white

MX - Code 03

Performance PBT

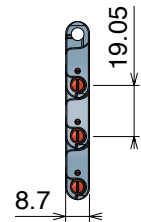
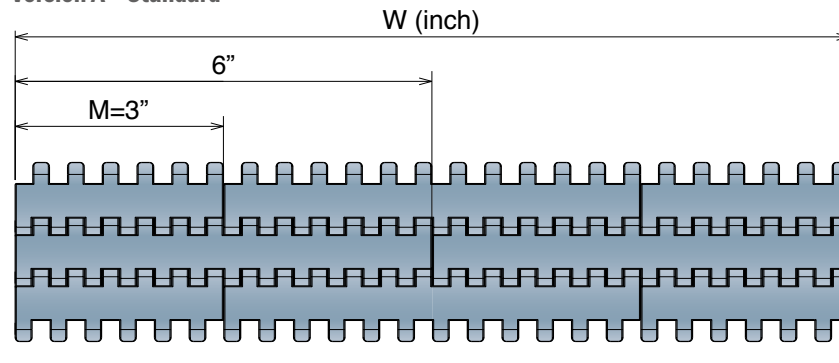
Max w. load: 24000 N/m
 Weight: 7,0 kg/m²
 Temp. range dry: -40÷120 °C
 Temp. range wet: -40÷60 °C
 Pin material: POM grey

MPX - Code 25

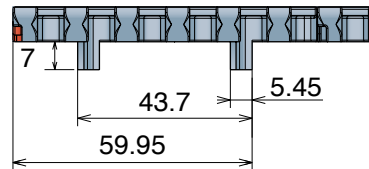
Lubricated Acetal

Max w. load: 30000 N/m
 Weight: 7,2 kg/m²
 Temp. range dry: -40÷80 °C
 Temp. range wet: -40÷65 °C
 Pin material: PBT white

Version A - Standard



Version C - With 2 Positioner



Version A - Standard

Series	Material	Width	Version
5301	*	0003	A
5301	*	0006	A
5301	*	0009	A
5301	*	0012	A
5301	*	0015	A
5301	*	0018	A
5301	*	0021	A
5301	*	0024	A
5301	*	0027	A
5301	*	0030	A
5301	*	0033	A
5301	*	0036	A
5301	*	0039	A
5301	*	0042	A
5301	*	0045	A
5301	*	0048	A
5301	*	0051	A
5301	*	0054	A

Version C - With 2 Positioners

Series	Material	Width	Version
5301	*	0003	C
5301	*	0006	C
5301	*	0009	C
5301	*	0012	C
5301	*	0015	C
5301	*	0018	C
5301	*	0021	C
5301	*	0024	C
5301	*	0027	C
5301	*	0030	C
5301	*	0033	C
5301	*	0036	C
5301	*	0039	C
5301	*	0042	C
5301	*	0045	C
5301	*	0048	C
5301	*	0051	C
5301	*	0054	C

590 FT One track Belt

Tappeti modulari / Modular belts / Mattenketten

Imperial Size

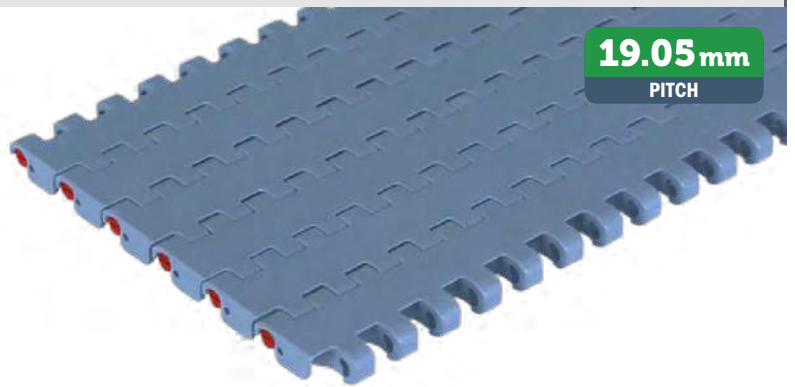
590 FT One track Belt




Tappeto Modulare 590 FT, H=8,7
Modular Belt Series 590 FT, H=8,7 / Modulare Mattenkette 590 FT, H=8,7

CODE STRUCTURE GUIDE			
(Example)			
5301	03	9325	C
Series	*Material	Width	Version

Backflex radius min.: 25 mm

19.05 mm
PITCH



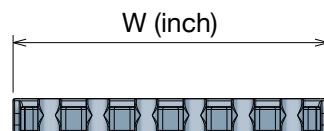
		
pg. 272	pg. 516->524	pg. 486

*Material
LFA - Code 01 Low friction Acetal
<i>Easy Delivery</i>
Max w. load: 30000 N/m
Weight: 7,2 kg/m ²
Temp. range dry: -40+80 °C
Temp. range wet: -40+65 °C
Pin material: PBT white

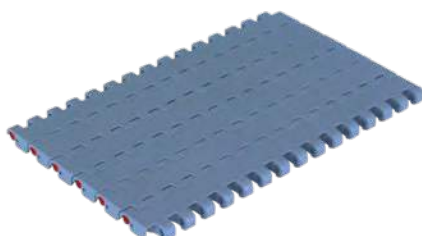
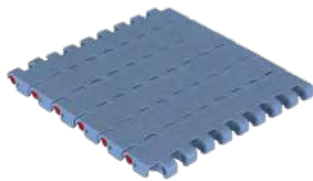
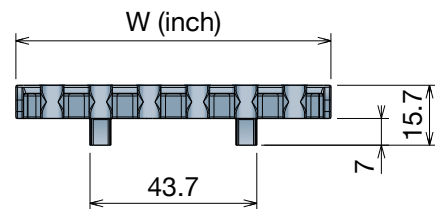
MX - Code 03
Performance PBT
Max w. load: 24000 N/m
Weight: 7,0 kg/m ²
Temp. range dry: -40+120 °C
Temp. range wet: -40+60 °C
Pin material: POM grey

MPX - Code 25
Lubricated Acetal
Max w. load: 30000 N/m
Weight: 7,2 kg/m ²
Temp. range dry: -40+80 °C
Temp. range wet: -40+65 °C
Pin material: PBT white

Version A - Standard



Version C - With 2 Positioner



K325 - One track belt

Series	Material	Width	Version
5301	*	9325	A
5301	*	9325	C

K450 - One track belt

Series	Material	Width	Version
5301	*	9450	A
5301	*	9450	C

K750 - One track belt

Series	Material	Width	Version
5301	*	9750	A
5301	*	9750	C




590 FTT

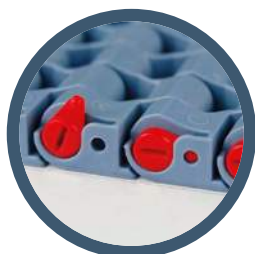
Tappeto Modulare 590 FTT, H=8,7
 Modular Belt Series 590 FTT, H=8,7 / Modulare Mattenkette 590 FTT, H=8,7

CODE STRUCTURE GUIDE			
(Example)			
5306	01	9450	C-R
Series	*Material	Width	Version

Backflex radius min.: 25 mm

19.05mm
PITCH

		
pg. 272	pg. 516->524	pg. 487



Imperial Size

*Material

LFA - Code 01

Low friction Acetal

Max w. load: 30000 N/m
 Weight: 7,2 kg/m²
 Temp. range dry: -40÷80 °C
 Temp. range wet: -40÷65 °C
 Pin material: PBT white

MX - Code 03

Performance PBT

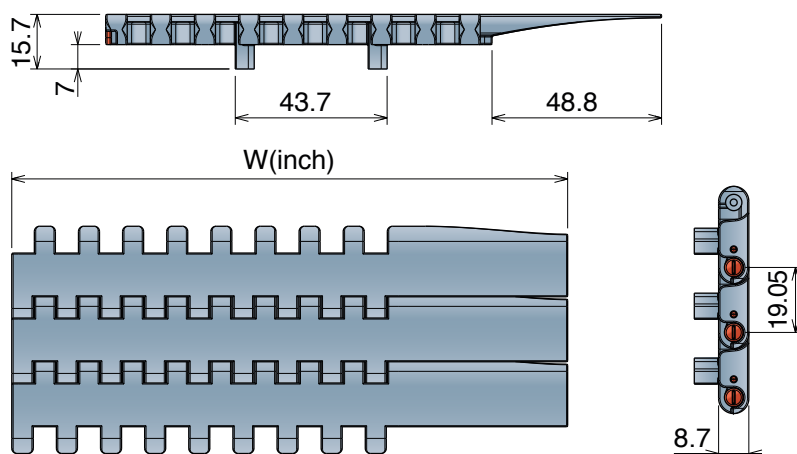
Max w. load: 24000 N/m
 Weight: 7,0 kg/m²
 Temp. range dry: -40÷120 °C
 Temp. range wet: -40÷60 °C
 Pin material: POM grey

MPX - Code 25

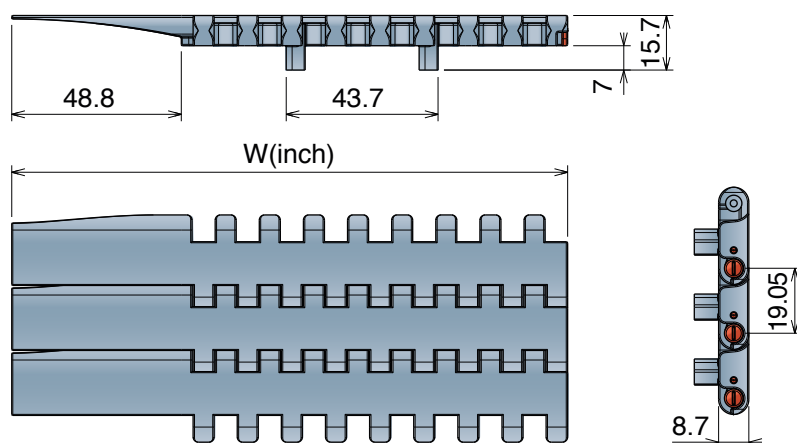
Lubricated Acetal

Max w. load: 30000 N/m
 Weight: 7,2 kg/m²
 Temp. range dry: -40÷80 °C
 Temp. range wet: -40÷65 °C
 Pin material: PBT white

Version 590 FTT DX



Version 590 FTT SX



Version 590 FTT DX

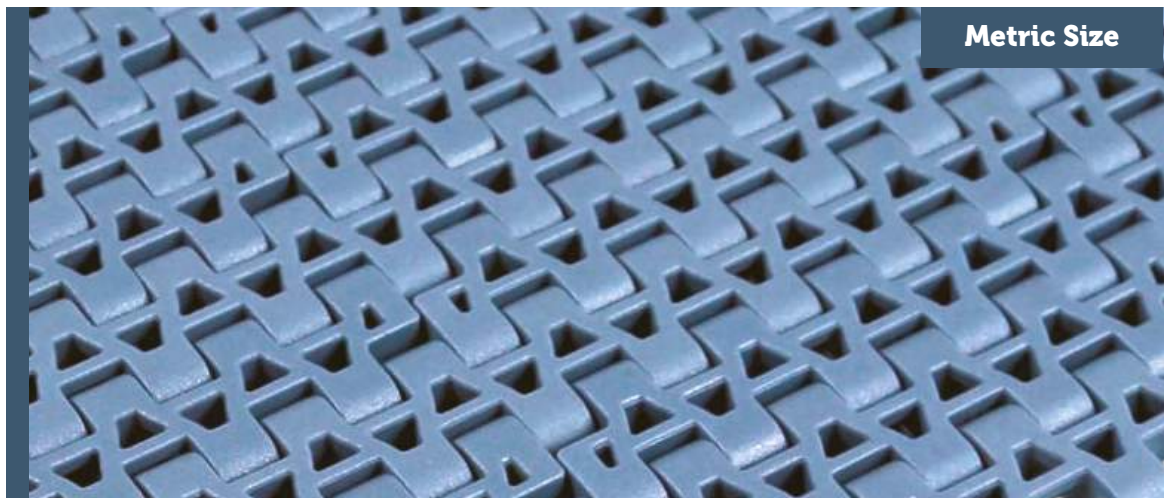
Series	Material	Width	Version	Total width
5306	*	9450	C-R	160.0
5306	*	9750	C-R	236.2

Version 590 FTT SX

Series	Material	Width	Version	Total width
5306	*	9450	C-L	160.0
5306	*	9750	C-L	236.2

525

Pitch 15,0 mm
H= 8,7 mm



- 525 HD FT
- 525 HD FT+RIB
- 525 FTT
- 525 HD FG
- 525 HD GT
- 525 HD GT *Side Indent*

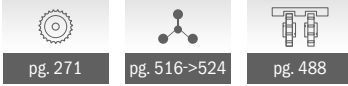
525 HD FT

Tappeto Modulare 525 HD, H=8,7 M=85
 Modular Belt Series 525 HD, H=8,7 M=85 / Modulare Mattenkette 525 HD, H=8,7 M=85

CODE STRUCTURE GUIDE			
(Example)			
5261	03	0340	C
Series	*Material	Width	Version

Backflex radius min.: 25 mm

15.0mm
PITCH



Reinforced positioner



Metric Size

*Material

LFA - Code 01

Low friction Acetal

Easy Delivery

Max w. load: 25500 N/m
 Weight: 9,0 kg/m²
 Temp. range dry: -40÷80 °C
 Temp. range wet: -40÷65 °C
 Pin material: PBT white

MX - Code 03

Performance PBT

Max w. load: 20500 N/m
 Weight: 8,7 kg/m²
 Temp. range dry: -40÷120 °C
 Temp. range wet: -40÷60 °C
 Pin material: POM grey

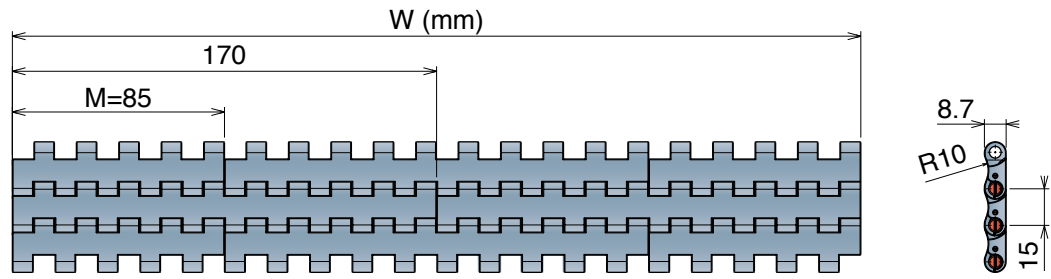
PFX - Code 30

Extra performance PBT

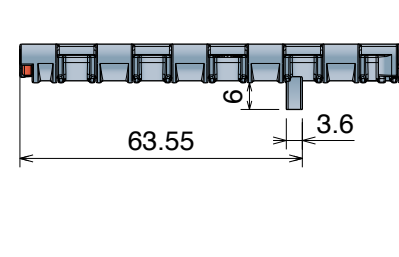
Max w. load: 20500 N/m
 Weight: 8,7 kg/m²
 Temp. range dry: -40÷120 °C
 Temp. range wet: -40÷60 °C
 Pin material: POM grey

THE BEST CHOICE FOR DRY RUNNING APPLICATIONS

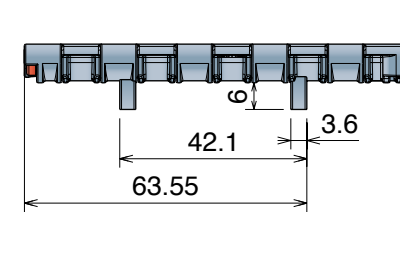
Version A - Standard



Version B - With 1 Positioner



Version C - With 2 Positioner



Version A - Standard

Series	Material	Width	Version
5261	*	0085	A
5261	*	0170	A
5261	*	0255	A
5261	*	0340	A
5261	*	0425	A
5261	*	0510	A
5261	*	0595	A
5261	*	0680	A
5261	*	0765	A
5261	*	0850	A
5261	*	0935	A
5261	*	1020	A
5261	*	1105	A
5261	*	1190	A
5261	*	1275	A
5261	*	1360	A
5261	*	1445	A
5261	*	1530	A

Version B - With 1 Positioner

Series	Material	Width	Version
5261	*	0085	B
5261	*	0170	B
5261	*	0255	B
5261	*	0340	B
5261	*	0425	B
5261	*	0510	B
5261	*	0595	B
5261	*	0680	B
5261	*	0765	B
5261	*	0850	B
5261	*	0935	B
5261	*	1020	B
5261	*	1105	B
5261	*	1190	B
5261	*	1275	B
5261	*	1360	B
5261	*	1445	B
5261	*	1530	B

Version C - With 2 Positioners

Series	Material	Width	Version
5261	*	0085	C
5261	*	0170	C
5261	*	0255	C
5261	*	0340	C
5261	*	0425	C
5261	*	0510	C
5261	*	0595	C
5261	*	0680	C
5261	*	0765	C
5261	*	0850	C
5261	*	0935	C
5261	*	1020	C
5261	*	1105	C
5261	*	1190	C
5261	*	1275	C
5261	*	1360	C
5261	*	1445	C
5261	*	1530	C

525 HD FT + RIB

Tappeto Modulare 525 HD, H=8,7 M=85

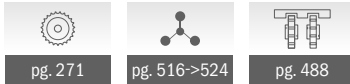
Modular Belt Series 525 HD, H=8,7 M=85 / Modulare Mattenkette 525 HD, H=8,7 M=85

Metric Size

CODE STRUCTURE GUIDE				
(Example)				
5261	01	0340	C	XR3
Series	*Material	Width	Version	RIB

Backflex radius min.: 25 mm

15.0 mm
PITCH



*Material

LFA - Code 01

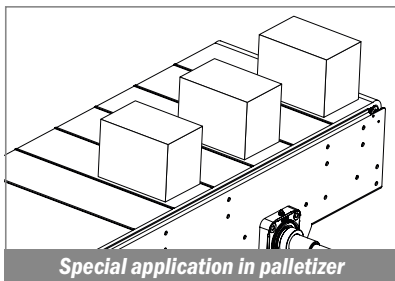
Low friction Acetal

Max w. load: 25500 N/m
Weight: 9,0 kg/m²
Temp. range dry: -40÷80 °C
Temp. range wet: -40÷65 °C
Pin material: PBT white

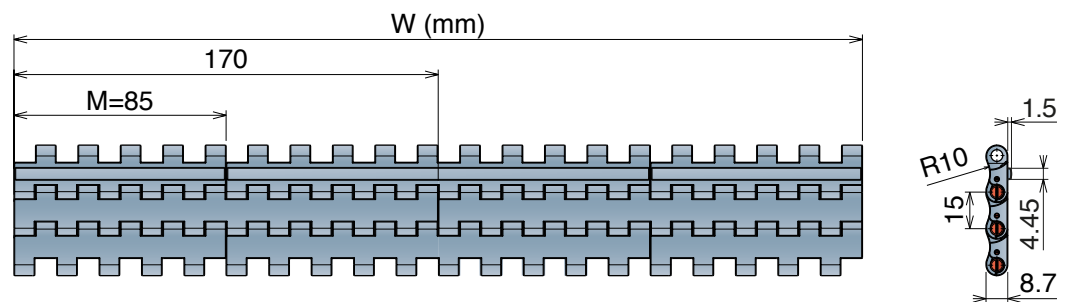
MX - Code 03

Performance PBT

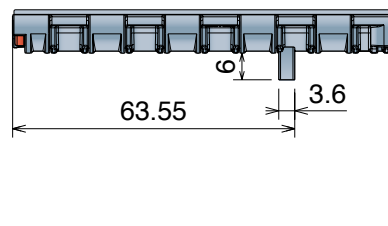
Max w. load: 20500 N/m
Weight: 8,7 kg/m²
Temp. range dry: -40÷120 °C
Temp. range wet: -40÷60 °C
Pin material: POM grey



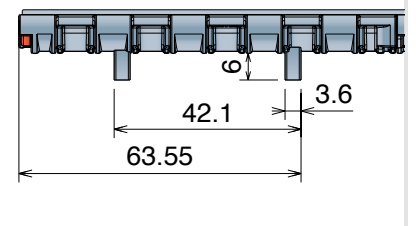
Version A - Standard



Version B - With 1 Positioner



Version C - With 2 Positioners



Version A - Standard

Series	Material	Width	Version	RIB
5261	*	0085	A	XR3 or XR5
5261	*	0170	A	XR3 or XR5
5261	*	0255	A	XR3 or XR5
5261	*	0340	A	XR3 or XR5
5261	*	0425	A	XR3 or XR5
5261	*	0510	A	XR3 or XR5
5261	*	0595	A	XR3 or XR5
5261	*	0680	A	XR3 or XR5
5261	*	0765	A	XR3 or XR5
5261	*	0850	A	XR3 or XR5
5261	*	0935	A	XR3 or XR5
5261	*	1020	A	XR3 or XR5
5261	*	1105	A	XR3 or XR5
5261	*	1190	A	XR3 or XR5
5261	*	1275	A	XR3 or XR5
5261	*	1360	A	XR3 or XR5
5261	*	1445	A	XR3 or XR5
5261	*	1530	A	XR3 or XR5

XR3 (RIB every 3 links) | XR5 (RIB every 5 links)

Version B - With 1 Positioner

Series	Material	Width	Version	RIB
5261	*	0085	B	XR3 or XR5
5261	*	0170	B	XR3 or XR5
5261	*	0255	B	XR3 or XR5
5261	*	0340	B	XR3 or XR5
5261	*	0425	B	XR3 or XR5
5261	*	0510	B	XR3 or XR5
5261	*	0595	B	XR3 or XR5
5261	*	0680	B	XR3 or XR5
5261	*	0765	B	XR3 or XR5
5261	*	0850	B	XR3 or XR5
5261	*	0935	B	XR3 or XR5
5261	*	1020	B	XR3 or XR5
5261	*	1105	B	XR3 or XR5
5261	*	1190	B	XR3 or XR5
5261	*	1275	B	XR3 or XR5
5261	*	1360	B	XR3 or XR5
5261	*	1445	B	XR3 or XR5
5261	*	1530	B	XR3 or XR5

XR3 (RIB every 3 links) | XR5 (RIB every 5 links)

Version C - With 2 Positioners

Series	Material	Width	Version	RIB
5261	*	0085	C	XR3 or XR5
5261	*	0170	C	XR3 or XR5
5261	*	0255	C	XR3 or XR5
5261	*	0340	C	XR3 or XR5
5261	*	0425	C	XR3 or XR5
5261	*	0510	C	XR3 or XR5
5261	*	0595	C	XR3 or XR5
5261	*	0680	C	XR3 or XR5
5261	*	0765	C	XR3 or XR5
5261	*	0850	C	XR3 or XR5
5261	*	0935	C	XR3 or XR5
5261	*	1020	C	XR3 or XR5
5261	*	1105	C	XR3 or XR5
5261	*	1190	C	XR3 or XR5
5261	*	1275	C	XR3 or XR5
5261	*	1360	C	XR3 or XR5
5261	*	1445	C	XR3 or XR5
5261	*	1530	C	XR3 or XR5

XR3 (RIB every 3 links) | XR5 (RIB every 5 links)

525 FTT




Tappeto Modulare 525 FTT, H=8,7 M=85
 Modular Belt Series 525 FTT, H=8,7 M=85 / Modulare Mattenkette 525 FTT, H=8,7 M=85

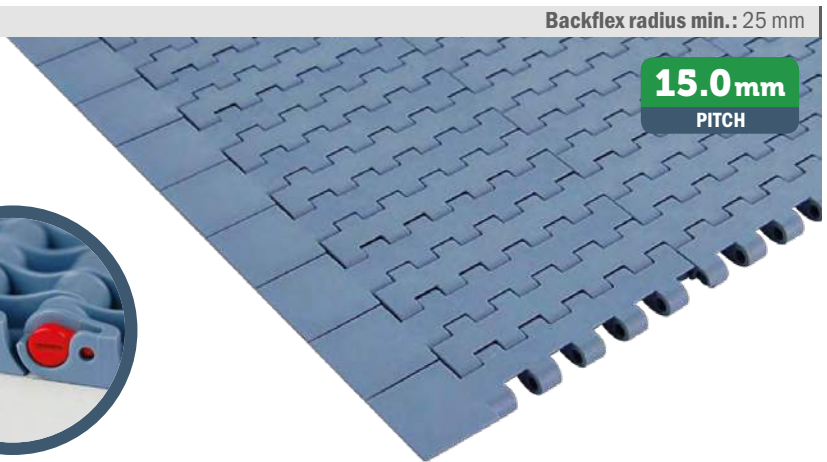
CODE STRUCTURE GUIDE			
(Example)			
5256	03	0085	C
Series	*Material	Width	Version

Backflex radius min.: 25 mm

15.0mm
PITCH

Metric Size

		
pg. 271	pg. 516->524	pg. 488



*Material

LFA - Code 01

Low friction Acetal

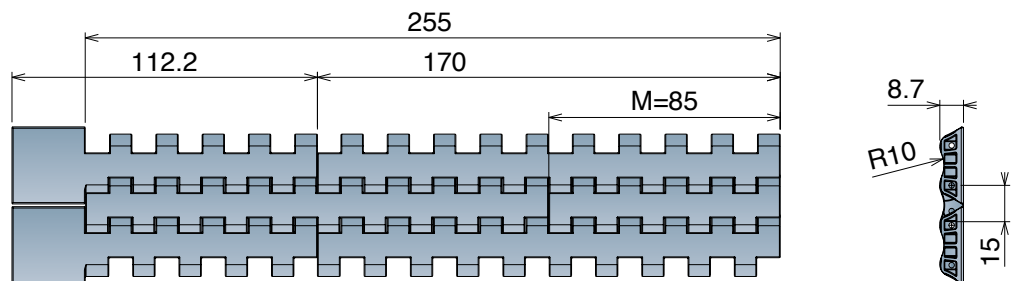
Max w. load: 21500 N/m
 Weight: 7,8 kg/m²
 Temp. range dry: -40÷80 °C
 Temp. range wet: -40÷65 °C
 Pin material: PBT white

MX - Code 03

Performance PBT

Max w. load: 17500 N/m
 Weight: 7,5 kg/m²
 Temp. range dry: -40÷120 °C
 Temp. range wet: -40÷60 °C
 Pin material: POM grey

Version C



Version CN - Near



Version C0 - Opposite



Version C

Series	Material	Width	Version
5256	*	0085	C

Version CN - Near

Series	Material	Width	Version
5256	*	0170	CN
5256	*	0255	CN

Version C0 - Opposite

Series	Material	Width	Version
5256	*	0170	C0
5256	*	0255	C0

On request available with bigger/different width

525 HD FG

Tappeti modulari / Modular belts / Mattenketten

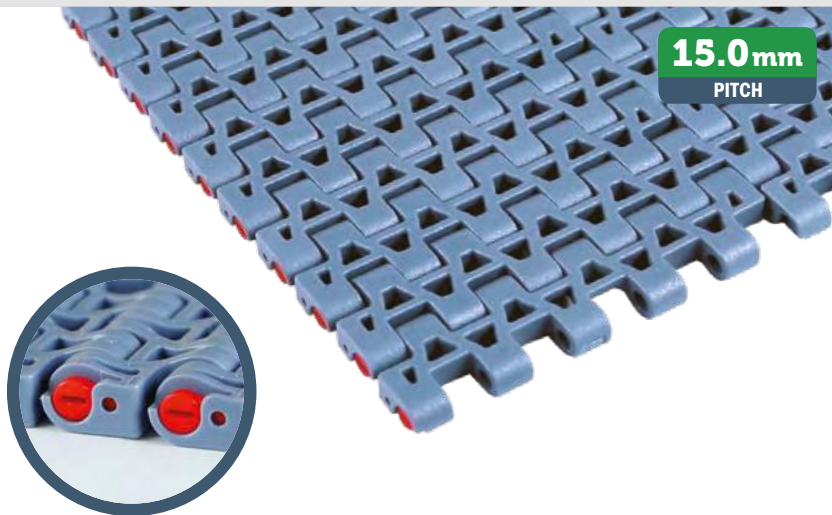
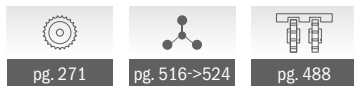
525 HD FG Open Surface 35% Tappeto Modulare 525 HD Flush grid, H=8,7 M=85 Modular Belt Series 525 HD Flush grid, H=8,7 M=85 / Modulare Mattenkette 525 HD Flush grid, H=8,7 M=85

Metric Size

CODE STRUCTURE GUIDE			
(Example)			
5262	03	0340	C
Series	*Material	Width	Version

Backflex radius min.: 25 mm

15.0 mm
PITCH



*Material

LFA - Code 01
Low friction Acetal

Easy Delivery

Max w. load: 25500 N/m
Weight: 8,1 kg/m²
Temp. range dry: -40+80 °C
Temp. range wet: -40+65 °C
Pin material: PBT white

MX - Code 03
Performance PBT

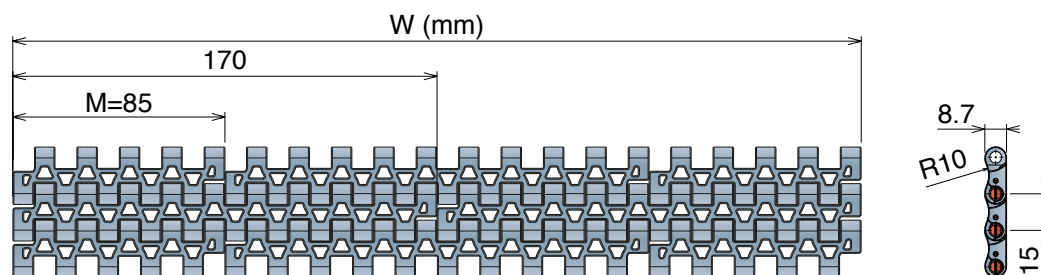
Max w. load: 20500 N/m
Weight: 7,8 kg/m²
Temp. range dry: -40+120 °C
Temp. range wet: -40+60 °C
Pin material: POM grey

PFX - Code 30
Extra performance PBT

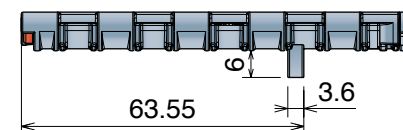
Max w. load: 20500 N/m
Weight: 7,8 kg/m²
Temp. range dry: -40+120 °C
Temp. range wet: -40+60 °C
Pin material: POM grey

**THE BEST CHOICE FOR
DRY RUNNING APPLICATIONS**

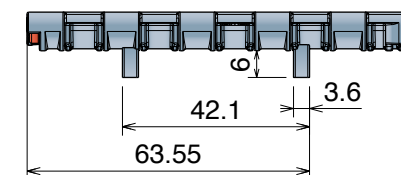
Version A - Standard



Version B - With 1 Positioner



Version C - With 2 Positioners



Version A - Standard

Series	Material	Width	Version
5262	*	0085	A
5262	*	0170	A
5262	*	0255	A
5262	*	0340	A
5262	*	0425	A
5262	*	0510	A
5262	*	0595	A
5262	*	0680	A
5262	*	0765	A
5262	*	0850	A
5262	*	0935	A
5262	*	1020	A
5262	*	1105	A
5262	*	1190	A
5262	*	1275	A
5262	*	1360	A
5262	*	1445	A
5262	*	1530	A

Version B - With 1 Positioner

Series	Material	Width	Version
5262	*	0085	B
5262	*	0170	B
5262	*	0255	B
5262	*	0340	B
5262	*	0425	B
5262	*	0510	B
5262	*	0595	B
5262	*	0680	B
5262	*	0765	B
5262	*	0850	B
5262	*	0935	B
5262	*	1020	B
5262	*	1105	B
5262	*	1190	B
5262	*	1275	B
5262	*	1360	B
5262	*	1445	B
5262	*	1530	B

Version C - With 2 Positioners

Series	Material	Width	Version
5262	*	0085	C
5262	*	0170	C
5262	*	0255	C
5262	*	0340	C
5262	*	0425	C
5262	*	0510	C
5262	*	0595	C
5262	*	0680	C
5262	*	0765	C
5262	*	0850	C
5262	*	0935	C
5262	*	1020	C
5262	*	1105	C
5262	*	1190	C
5262	*	1275	C
5262	*	1360	C
5262	*	1445	C
5262	*	1530	C

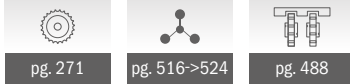
525 HD GT

Tappeto Modulare 525 HD GT, H=8,7 M=85
 Modular Belt Series 525 HD GT, H=8,7 M=85 / Modulare Mattenkette 525 HD GT, H=8,7 M=85

CODE STRUCTURE GUIDE			
(Example)			
5263	03	0340	C-S
Series	*Material	Width	Version

Backflex radius min.: 25 mm

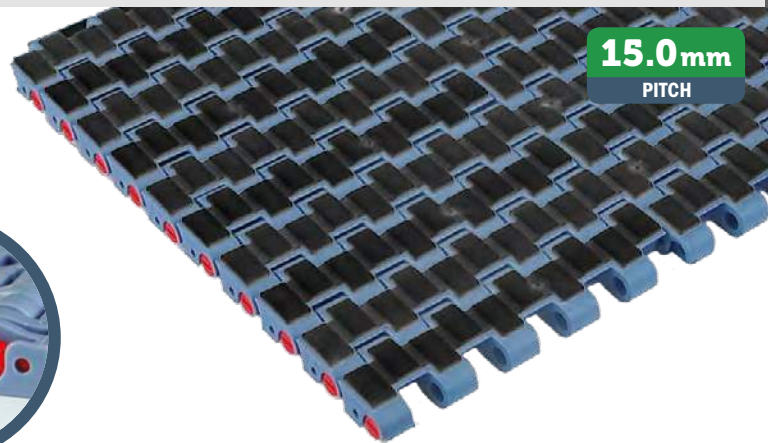
15.0mm
PITCH



pg. 271

pg. 516->524

pg. 488



Metric Size

*Material

LFA - Code 01

Low friction Acetal

Easy Delivery

Max w. load: 25500 N/m
 Weight: 10,35 kg/m²
 Temp. range dry: -40+80 °C
 Temp. range wet: -40+65 °C
 Pin material: PBT white
 Hardness of
 Grip top Rubber: 50 ShA

PP - Code 02

Polypropylene

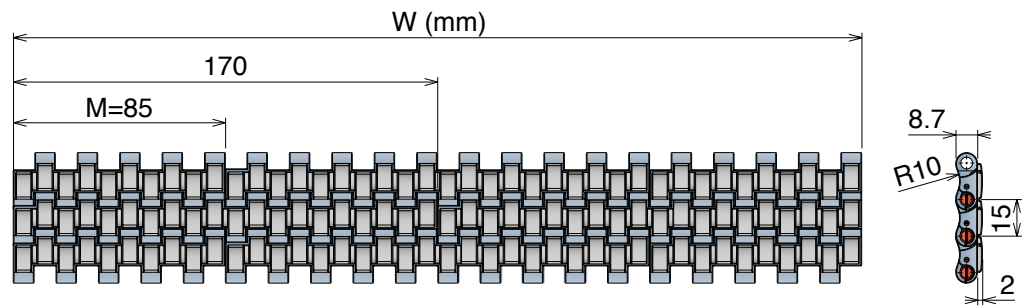
Max w. load: 15500 N/m
 Weight: 8,7 kg/m²
 Temp. range dry: 4+80 °C
 Temp. range wet: 4+65 °C
 Pin material: PP blu
 Hardness of
 Grip top Rubber: 50 ShA

MX - Code 03

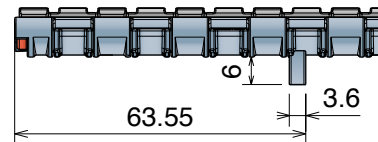
Performance PBT

Max w. load: 20500 N/m
 Weight: 10,35 kg/m²
 Temp. range dry: -40+120 °C
 Temp. range wet: -40+60 °C
 Pin material: POM grey
 Hardness of
 Grip top Rubber: 50 ShA

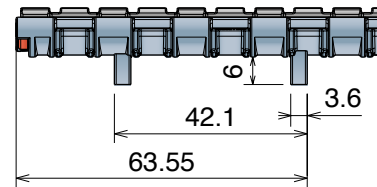
Version A - Standard



Version B - With 1 Positioner



Version C - With 2 Positioner



Version A - Standard

Series	Material	Width	Version
5263	*	0085	A
5263	*	0170	A
5263	*	0255	A
5263	*	0340	A
5263	*	0425	A
5263	*	0510	A
5263	*	0595	A
5263	*	0680	A
5263	*	0765	A
5263	*	0850	A
5263	*	0935	A
5263	*	1020	A
5263	*	1105	A
5263	*	1190	A
5263	*	1275	A
5263	*	1360	A
5263	*	1445	A
5263	*	1530	A

Version B - With 1 Positioner

Series	Material	Width	Version
5263	*	0085	B
5263	*	0170	B
5263	*	0255	B
5263	*	0340	B
5263	*	0425	B
5263	*	0510	B
5263	*	0595	B
5263	*	0680	B
5263	*	0765	B
5263	*	0850	B
5263	*	0935	B
5263	*	1020	B
5263	*	1105	B
5263	*	1190	B
5263	*	1275	B
5263	*	1360	B
5263	*	1445	B
5263	*	1530	B

Version C - With 2 Positioners

Series	Material	Width	Version
5263	*	0085	C
5263	*	0170	C
5263	*	0255	C
5263	*	0340	C
5263	*	0425	C
5263	*	0510	C
5263	*	0595	C
5263	*	0680	C
5263	*	0765	C
5263	*	0850	C
5263	*	0935	C
5263	*	1020	C
5263	*	1105	C
5263	*	1190	C
5263	*	1275	C
5263	*	1360	C
5263	*	1445	C
5263	*	1530	C

525 HD GT Side indent

Tappeti modulari / Modular belts / Mattenketten

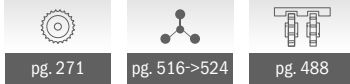
Metric Size

525 HD GT Side Indent

Tappeto Modulare 525 HD GT Side Indent, H=8,7 M=85
Modular Belt Series 525 HD GT Side Indent, H=8,7 M=85 / Modulare Mattenkette 525 HD GT Side Indent, H=8,7 M=85

CODE STRUCTURE GUIDE			
(Example)			
5265	03	0340	C-S
Series	*Material	Width	Version

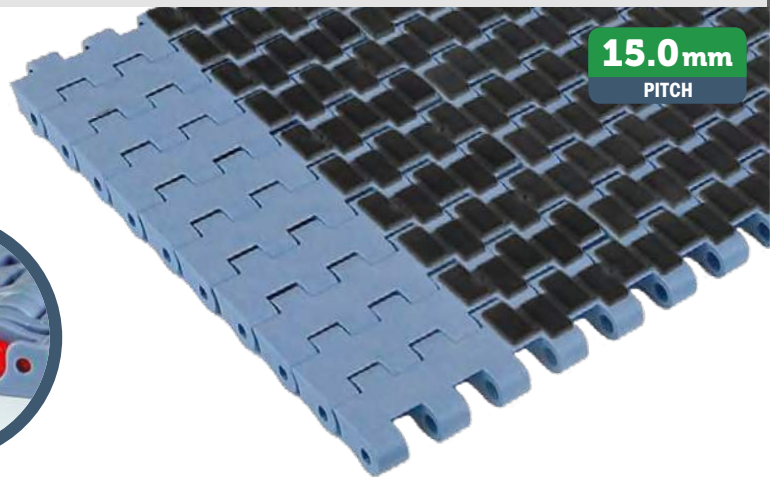
Backflex radius min.: 25 mm



pg. 271

pg. 516->524

pg. 488



15.0mm
PITCH

*Material

LFA - Code 01

Low friction Acetal

Easy Delivery

Max w. load: 25500 N/m
Weight: 10,35 kg/m²
Temp. range dry: -40+80 °C
Temp. range wet: -40+65 °C
Pin material: PBT white
Hardness of
Grip top Rubber: 50 ShA

PP - Code 02

Polypropylene

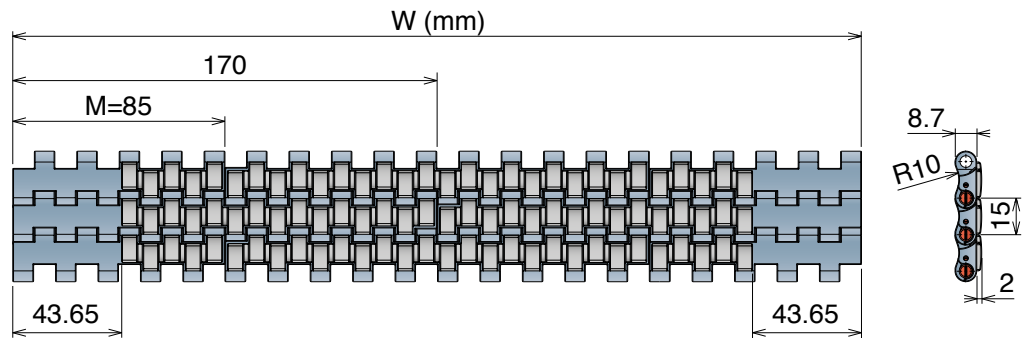
Max w. load: 15500 N/m
Weight: 8,7 kg/m²
Temp. range dry: 4+80 °C
Temp. range wet: 4+65 °C
Pin material: PP blu
Hardness of
Grip top Rubber: 50 ShA

MX - Code 03

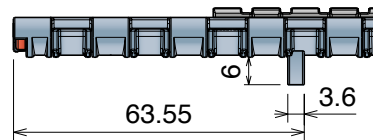
Performance PBT

Max w. load: 20500 N/m
Weight: 10,35 kg/m²
Temp. range dry: -40+120 °C
Temp. range wet: -40+60 °C
Pin material: POM grey
Hardness of
Grip top Rubber: 50 ShA

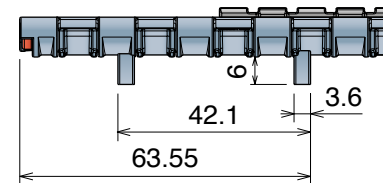
Version A - Standard



Version B - With 1 Positioner



Version C - With 2 Positioners



Version A - Standard

Series	Material	Width	Version
5265	*	0255	A
5265	*	0340	A
5265	*	0425	A
5265	*	0510	A
5265	*	0595	A
5265	*	0680	A
5265	*	0765	A
5265	*	0850	A
5265	*	0935	A
5265	*	1020	A
5265	*	1105	A
5265	*	1190	A
5265	*	1275	A
5265	*	1360	A
5265	*	1445	A
5265	*	1530	A

Version B - With 1 Positioner

Series	Material	Width	Version
5265	*	0255	B
5265	*	0340	B
5265	*	0425	B
5265	*	0510	B
5265	*	0595	B
5265	*	0680	B
5265	*	0765	B
5265	*	0850	B
5265	*	0935	B
5265	*	1020	B
5265	*	1105	B
5265	*	1190	B
5265	*	1275	B
5265	*	1360	B
5265	*	1445	B
5265	*	1530	B

Version C - With 2 Positioners

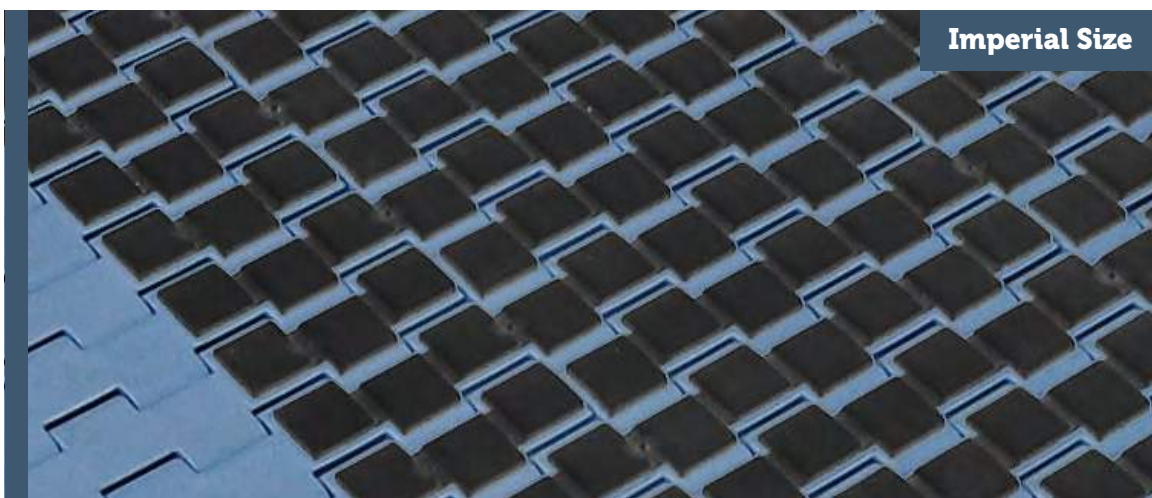
Series	Material	Width	Version
5265	*	0255	C
5265	*	0340	C
5265	*	0425	C
5265	*	0510	C
5265	*	0595	C
5265	*	0680	C
5265	*	0765	C
5265	*	0850	C
5265	*	0935	C
5265	*	1020	C
5265	*	1105	C
5265	*	1190	C
5265	*	1275	C
5265	*	1360	C
5265	*	1445	C
5265	*	1530	C

530 Series

530

Pitch 15,0 mm

H= 8,7 mm



530 FT

530 FTT

530 GT

530 GT *Side indent*

530 LBP

Movex®




530 FT

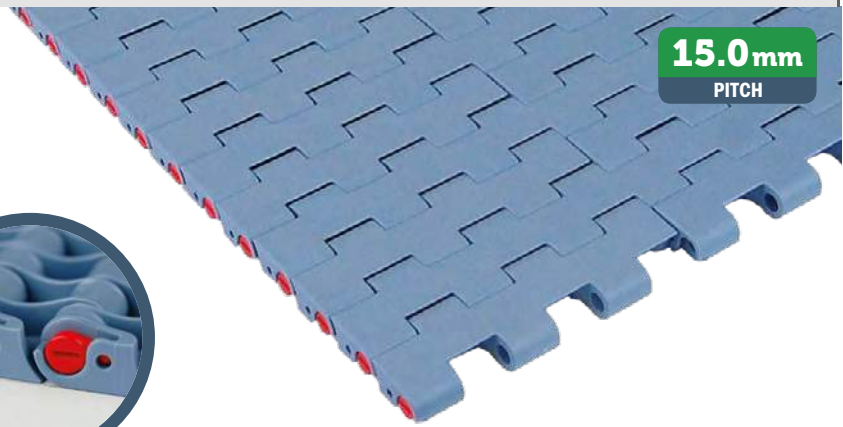
Tappeto Modulare 530 FT, H=8,7 M=3"
Modular Belt Series 530 FT, H=8,7 M=3" / Modulare Mattenkette 530 FT, H=8,7 M=3"

CODE STRUCTURE GUIDE			
(Example)			
5321	01	0030	A
Series	*Material	Width	Version

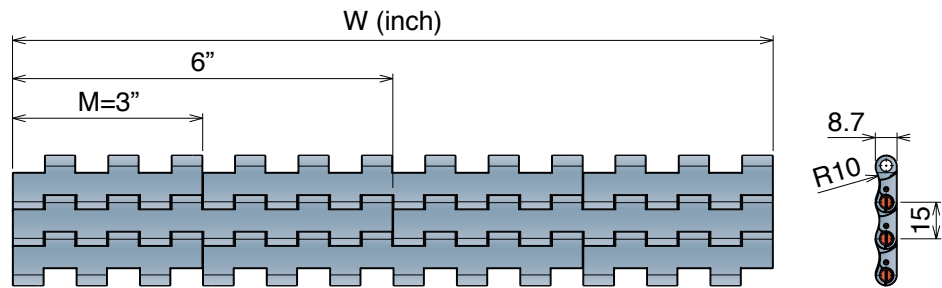
Backflex radius min.: 25 mm

15.0 mm
PITCH

		
pg. 271	pg. 516->524	pg. 489



Version A - Standard



*Material

LFA - Code 01

Low friction Acetal

Easy Delivery

Max w. load: 26000 N/m
Weight: 9,2 kg/m²
Temp. range dry: -40÷80 °C
Temp. range wet: -40÷65 °C
Pin material: PBT white

MX - Code 03

Performance PBT

Max w. load: 21000 N/m
Weight: 9,0 kg/m²
Temp. range dry: -40÷120 °C
Temp. range wet: -40÷60 °C
Pin material: POM grey

DKM - Code 16

Aramide Reinforced Acetal

Max w. load: 26000 N/m
Weight: 9,2 kg/m²
Temp. range dry: -40÷80 °C
Temp. range wet: -40÷65 °C
Pin material: PBT white

MWX - Code 17

Polyamide Composite

Max w. load: 26000 N/m
Weight: 9,5 kg/m²
Temp. range dry: -40÷104 °C
Temp. range wet: NR
Pin material: PBT white

MPX - Code 25

Lubricated Acetal

Max w. load: 26000 N/m
Weight: 9,2 kg/m²
Temp. range dry: -40÷80 °C
Temp. range wet: -40÷65 °C
Pin material: PBT white

Version A - Standard

Series	Material	Width	Version
5321	*	0003	A
5321	*	0006	A
5321	*	0009	A
5321	*	0012	A
5321	*	0015	A
5321	*	0018	A
5321	*	0021	A
5321	*	0024	A
5321	*	0027	A
5321	*	0030	A
5321	*	0033	A
5321	*	0036	A
5321	*	0039	A
5321	*	0042	A
5321	*	0045	A
5321	*	0048	A
5321	*	0051	A
5321	*	0054	A

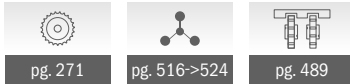
530 FTT

Tappeto Modulare 530 FTT, H=8,7 M=3"
 Modular Belt Series 530 FTT, H=8,7 M=3" / Modulare Mattenkette 530 FTT, H=8,7 M=3"

CODE STRUCTURE GUIDE			
(Example)			
5326	01	0006	A
Series	*Material	Width	Version

Backflex radius min.: 25 mm

15.0mm
PITCH



pg. 271

pg. 516->524

pg. 489



Imperial Size

*Material

LFA - Code 01

Low friction Acetal

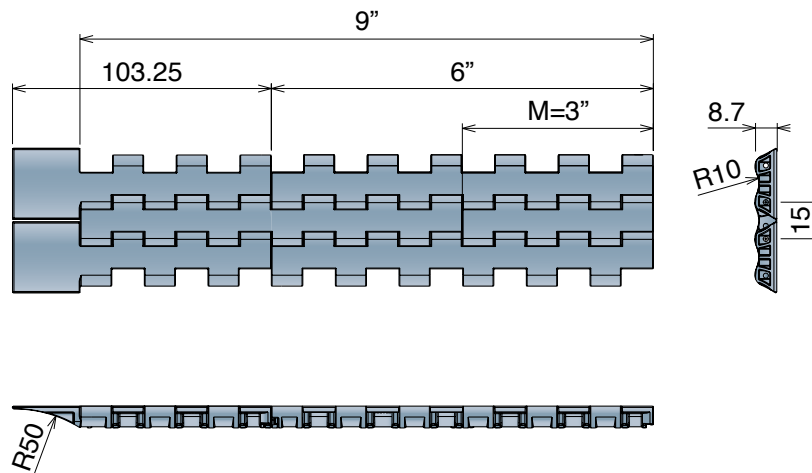
Max w. load: 26000 N/m
 Weight: 9,2 kg/m²
 Temp. range dry: -40÷80 °C
 Temp. range wet: -40÷65 °C
 Pin material: PBT white

MX - Code 03

Performance PBT

Max w. load: 21000 N/m
 Weight: 9,0 kg/m²
 Temp. range dry: -40÷120 °C
 Temp. range wet: -40÷60 °C
 Pin material: POM grey

Version A - Standard



Version A - Standard

Series	Material	Width	Version
5326	*	0003	A
5326	*	0006	A
5326	*	0009	A

On request available with bigger/different width

530 GT

Tappeti modulari / Modular belts / Mattenketten

Imperial Size

530 GT

Tappeto Modulare 530 GT, H=8,7 M=3"
Modular Belt Series 530 GT, H=8,7 M=3" / Modulare Mattenkette 530 GT, H=8,7 M=3"

CODE STRUCTURE GUIDE

(Example)

5323	01	0009	A-S
Series	*Material	Width	Version

Backflex radius min.: 30 mm

15.0mm
PITCH



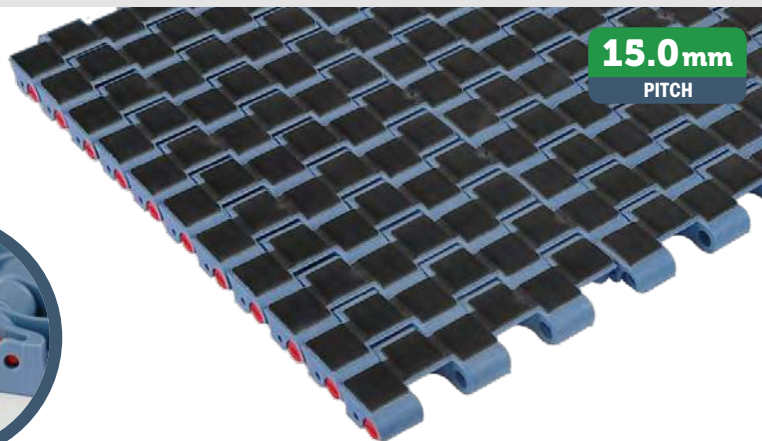
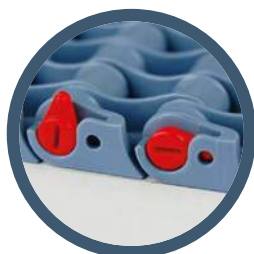
pg. 271



pg. 516->524



pg. 489



*Material

LFA - Code 01

Low friction Acetal

Easy Delivery

Max w. load: 26000 N/m
Weight: 10,6 kg/m²
Temp. range dry: -40÷80 °C
Temp. range wet: -40÷65 °C
Pin material: PBT white
Hardness of Grip top Rubber: 50 ShA

PP - Code 02

Polypropylene

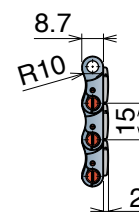
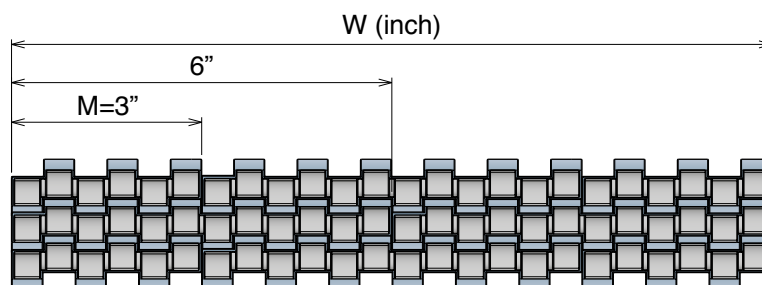
Max w. load: 16000 N/m
Weight: 9,0 kg/m²
Temp. range dry: 4÷80 °C
Temp. range wet: 4÷65 °C
Pin material: PP blu
Hardness of Grip top Rubber: 50 ShA

MX - Code 03

Performance PBT

Max w. load: 21000 N/m
Weight: 10,6 kg/m²
Temp. range dry: -40÷120 °C
Temp. range wet: -40÷60 °C
Pin material: POM grey
Hardness of Grip top Rubber: 50 ShA

Version A - Standard



Version A - Standard

Series	Material	Width	Version
5323	*	0003	A
5323	*	0006	A
5323	*	0009	A
5323	*	0012	A
5323	*	0015	A
5323	*	0018	A
5323	*	0021	A
5323	*	0024	A
5323	*	0027	A
5323	*	0030	A
5323	*	0033	A
5323	*	0036	A
5323	*	0039	A
5323	*	0042	A
5323	*	0045	A
5323	*	0048	A
5323	*	0051	A
5323	*	0054	A

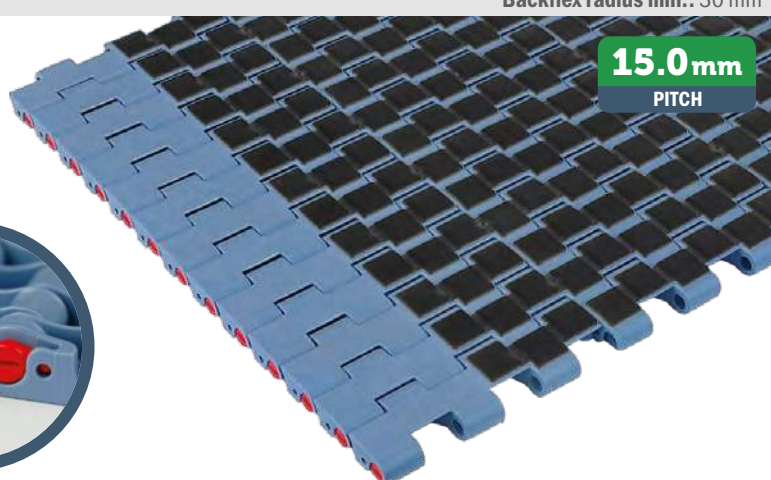
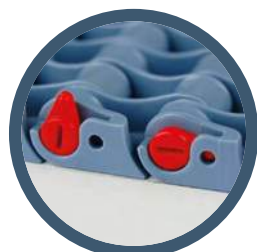
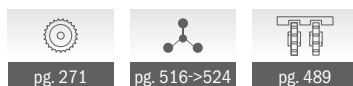
Tappeti modulari / Modular belts / Mattenketten

530 GT Side indent Tappeto Modulare 530 GT, H=8,7 M=3" Modular Belt Series 530 GT, H=8,7 M=3" / Modulare Mattenkette 530 GT, H=8,7 M=3"

CODE STRUCTURE GUIDE (Example)			
5325	01	0027	A-S
Series	*Material	Width	Version

Backflex radius min.: 30 mm

15.0mm
PITCH



Imperial Size

*Material

LFA - Code 01

Low friction Acetal

Easy Delivery

Max w. load: 26000 N/m
Weight: 10,6 kg/m²
Temp. range dry: -40÷80 °C
Temp. range wet: -40÷65 °C
Pin material: PBT white
Hardness of
Grip top Rubber: 50 ShA

PP - Code 02

Polypropylene

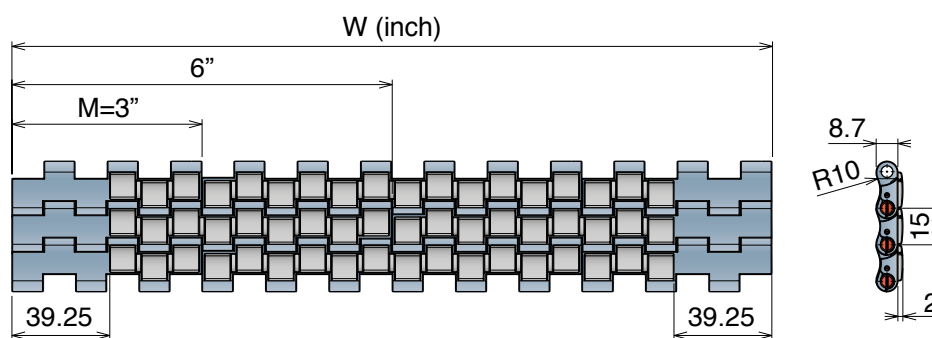
Max w. load: 16000 N/m
Weight: 9,0 kg/m²
Temp. range dry: 4÷80 °C
Temp. range wet: 4÷65 °C
Pin material: PP blu
Hardness of
Grip top Rubber: 50 ShA

MX - Code 03

Performance PBT

Max w. load: 21000 N/m
Weight: 10,6 kg/m²
Temp. range dry: -40÷120 °C
Temp. range wet: -40÷60 °C
Pin material: POM grey
Hardness of
Grip top Rubber: 50 ShA

Version A - Standard



Version A - Standard

Series	Material	Width	Version
5325	*	0009	A
5325	*	0012	A
5325	*	0015	A
5325	*	0018	A
5325	*	0021	A
5325	*	0024	A
5325	*	0027	A
5325	*	0030	A
5325	*	0033	A
5325	*	0036	A
5325	*	0039	A
5325	*	0042	A
5325	*	0045	A
5325	*	0048	A
5325	*	0051	A
5325	*	0054	A

530 LBP

Tappeti modulari / Modular belts / Mattenketten

Imperial Size




530 LBP

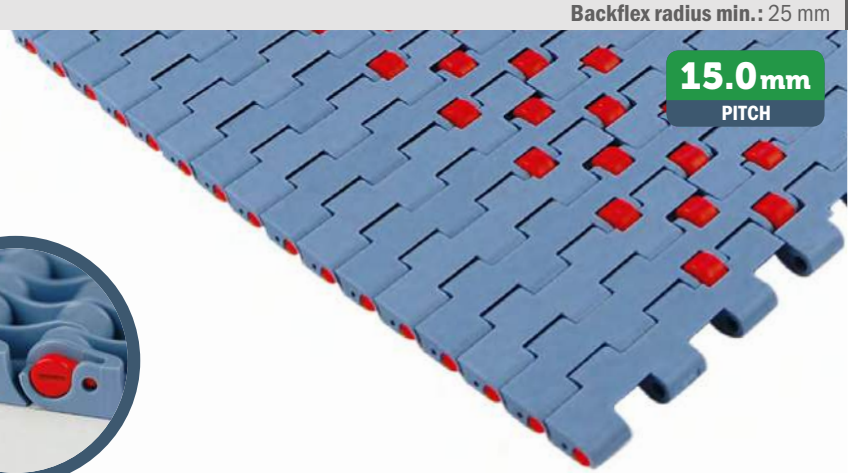
Tappeto Modulare 530 LBP, H=8,7 M=3"
Modular Belt Series 530 LBP, H=8,7 M=3" / Modulare Mattenkette 530 LBP, H=8,7 M=3"

CODE STRUCTURE GUIDE			
(Example)			
5324	01	0012	A
Series	*Material	Width	Version

Backflex radius min.: 25 mm

15.0mm
PITCH

 pg. 271	 pg. 516->524	 pg. 489
---	--	---



*Material

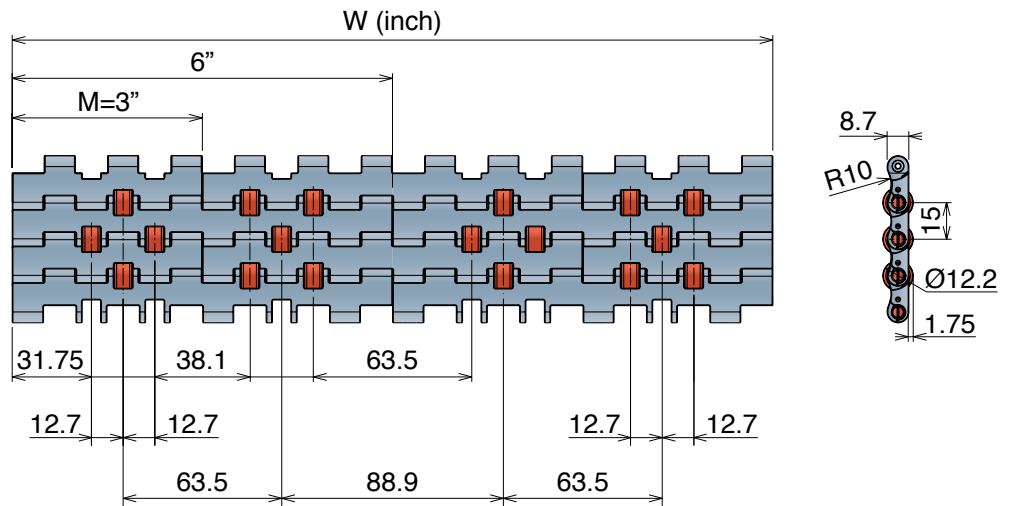
LFA - Code 01 Low friction Acetal

Max w. load: 24000 N/m
Weight: 8,7 kg/m²
Temp. range dry: -40÷80 °C
Temp. range dry: -40÷65 °C
Pin material: PBT white

Roller

Material: POM Red
Density: 700 rollers/m²

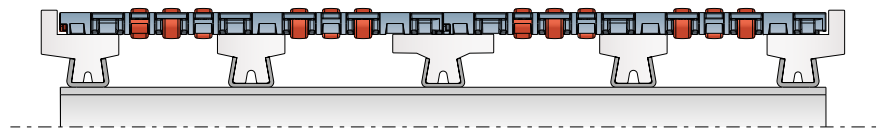
Version A - Standard



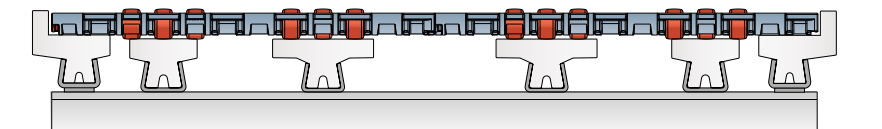
Version A - Standard

Series	Material	Width	Version
5324	*	0006	A
5324	*	0012	A
5324	*	0018	A
5324	*	0024	A
5324	*	0030	A
5324	*	0036	A
5324	*	0042	A
5324	*	0048	A
5324	*	0054	A

Guide position for accumulation system - Example



Guide position for driven rollers, for alignment/distribution system - Example



Advantages:

- ▶ Less Noise
- ▶ Head Drive
- ▶ Short Transfer
- ▶ Less energy consumption
- ▶ Center Drive

550

Pitch 25,4 mm

H= 8,7 mm



550 FT

550 FT *One track Belt*

550 FTT

550 FG

550 FG *One track Belt*

550 GT

550 GT *Side indent*

550 PRO FT

550 PRO M

550 FT

Tappeto Modulare 550 FT, H=8,7 M=85
Modular Belt Series 550 FT, H=8,7 M=85 / Modulare Mattenkette 550 FT, H=8,7 M=85

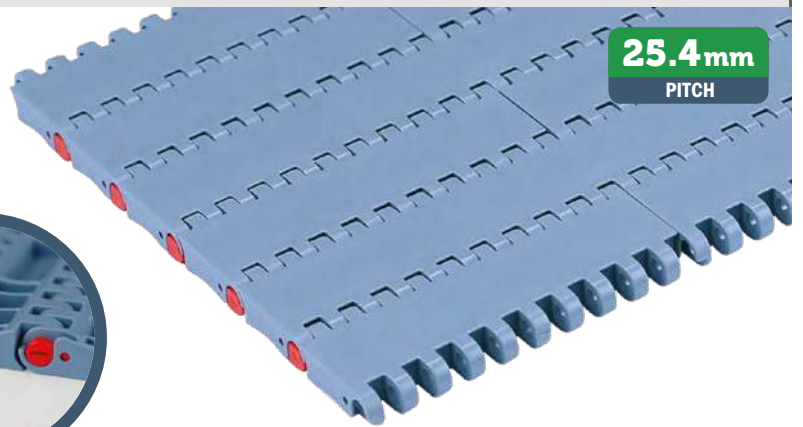
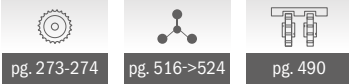
CODE STRUCTURE GUIDE

(Example)

5221	01	0255	A
Series	*Material	Width	Version

Backflex radius min.: 25 mm

25.4 mm
PITCH



*Material

LFA - Code 01

Low friction Acetal

Easy Delivery

Max w. load: 27500 N/m
Weight: 8,5 kg/m²
Temp. range dry: -40+80 °C
Temp. range wet: -40+65 °C
Pin material: PBT white

PP - Code 02

Polypropylene

Max w. load: 16500 N/m
Weight: 8,4 kg/m²
Temp. range dry: 4+80 °C
Temp. range wet: 4+65 °C
Pin material: PP blu

MX - Code 03

Performance PBT

Max w. load: 22000 N/m
Weight: 8,2 kg/m²
Temp. range dry: -40+120 °C
Temp. range wet: -40+60 °C
Pin material: POM grey

DKM - Code 16

Aramide Reinforced Acetal

Max w. load: 27500 N/m
Weight: 8,5 kg/m²
Temp. range dry: -40+80 °C
Temp. range wet: -40+65 °C
Pin material: PBT white

MWX - Code 17

Polyamide Composite

Max w. load: 27500 N/m
Weight: 8,9 kg/m²
Temp. range dry: -40+104 °C
Temp. range wet: NR
Pin material: PBT white

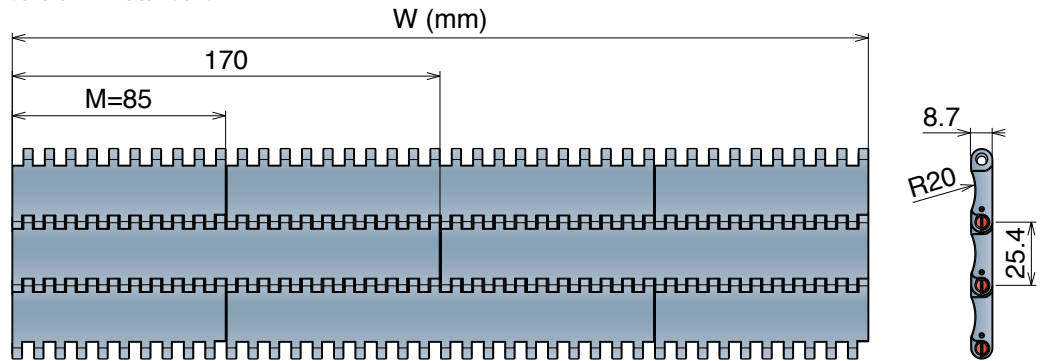
PFX - Code 30

Extra performance PBT

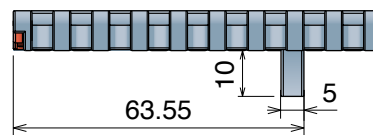
Max w. load: 22000 N/m
Weight: 8,2 kg/m²
Temp. range dry: -40+120 °C
Temp. range wet: -40+60 °C
Pin material: POM grey

**THE BEST CHOICE FOR
DRY RUNNING APPLICATIONS**

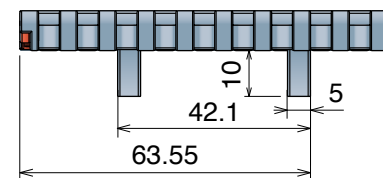
Version A - Standard



Version B - With 1 Positioner



Version C - With 2 Positioners



Version A - Standard

Series	Material	Width	Version
5221	*	0085	A
5221	*	0170	A
5221	*	0255	A
5221	*	0340	A
5221	*	0425	A
5221	*	0510	A
5221	*	0595	A
5221	*	0680	A
5221	*	0765	A
5221	*	0850	A
5221	*	0935	A
5221	*	1020	A
5221	*	1105	A
5221	*	1190	A
5221	*	1275	A
5221	*	1360	A
5221	*	1445	A
5221	*	1530	A

Version B - With 1 Positioner

Series	Material	Width	Version
5221	*	0085	B
5221	*	0170	B
5221	*	0255	B
5221	*	0340	B
5221	*	0425	B
5221	*	0510	B
5221	*	0595	B
5221	*	0680	B
5221	*	0765	B
5221	*	0850	B
5221	*	0935	B
5221	*	1020	B
5221	*	1105	B
5221	*	1190	B
5221	*	1275	B
5221	*	1360	B
5221	*	1445	B
5221	*	1530	B

Version C - With 2 Positioners

Series	Material	Width	Version
5221	*	0085	C
5221	*	0170	C
5221	*	0255	C
5221	*	0340	C
5221	*	0425	C
5221	*	0510	C
5221	*	0595	C
5221	*	0680	C
5221	*	0765	C
5221	*	0850	C
5221	*	0935	C
5221	*	1020	C
5221	*	1105	C
5221	*	1190	C
5221	*	1275	C
5221	*	1360	C
5221	*	1445	C
5221	*	1530	C

550 FT One track Belt

Tappeto Modulare 550 FT, H=8,7 K330
Modular Belt Series 550 FT, H=8,7 K330 / Modulare Mattenkette 550 FT, H=8,7 K330

CODE STRUCTURE GUIDE

(Example)

5221	03	9330	A
Series	*Material	Width	Version

Backflex radius min.: 25 mm

25.4mm
PITCH

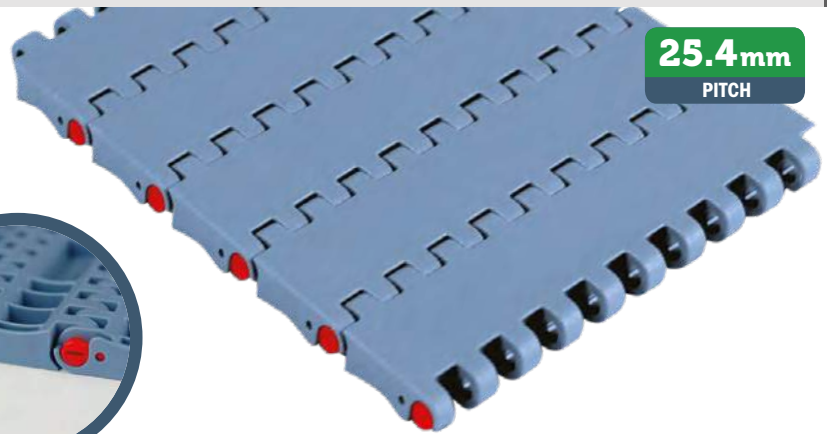
Metric Size



pg. 273-274



pg. 516->524



*Material

LFA - Code 01

Low friction Acetal

Easy Delivery

Max w. load: 27500 N/m
Weight: 8,5 kg/m²
Temp. range dry: -40÷80 °C
Temp. range wet: -40÷65 °C
Pin material: PBT white

PP - Code 02

Polypropylene

Max w. load: 16500 N/m
Weight: 8,4 kg/m²
Temp. range dry: 4÷80 °C
Temp. range wet: 4÷65 °C
Pin material: PP blu

MX - Code 03

Performance PBT

Max w. load: 22000 N/m
Weight: 8,2 kg/m²
Temp. range dry: -40÷120 °C
Temp. range wet: -40÷60 °C
Pin material: POM grey

DKM - Code 16

Aramide Reinforced Acetal

Max w. load: 27500 N/m
Weight: 8,5 kg/m²
Temp. range dry: -40÷80 °C
Temp. range wet: -40÷65 °C
Pin material: PBT white

MWX - Code 17

Polyamide Composite

Max w. load: 27500 N/m
Weight: 8,9 kg/m²
Temp. range dry: -40÷104 °C
Temp. range wet: NR
Pin material: PBT white

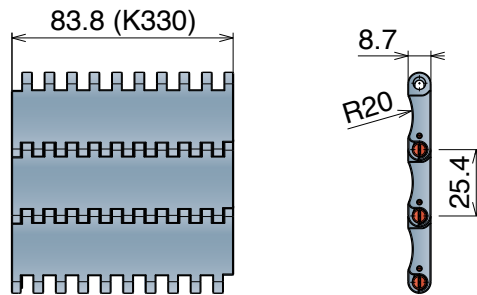
PFX - Code 30

Extra performance PBT

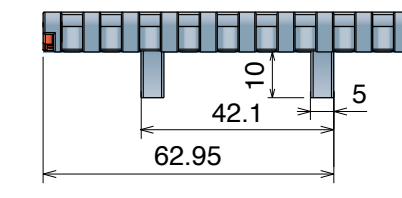
Max w. load: 22000 N/m
Weight: 8,2 kg/m²
Temp. range dry: -40÷120 °C
Temp. range wet: -40÷60 °C
Pin material: POM grey

THE BEST CHOICE FOR
DRY RUNNING APPLICATIONS

Version A - Standard



Version C - With 2 Positioner



Version A - Standard

Series	Material	Width	Version
5221	*	9330	A

Version C - With 2 Positioners

Series	Material	Width	Version
5221	*	9330	C

550 FTT

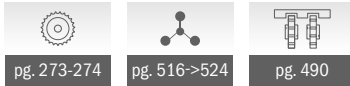
Tappeto Modulare 550 FTT, H=8,7 M=85

Modular Belt Series 550 FTT, H=8,7 M=85 / Modulare Mattenkette 550 FTT, H=8,7 M=85

CODE STRUCTURE GUIDE			
(Example)			
5226	03	0255	CN
Series	*Material	Width	Version

Backflex radius min.: 25 mm

25.4 mm
PITCH



*Material

LFA - Code 01

Low friction Acetal

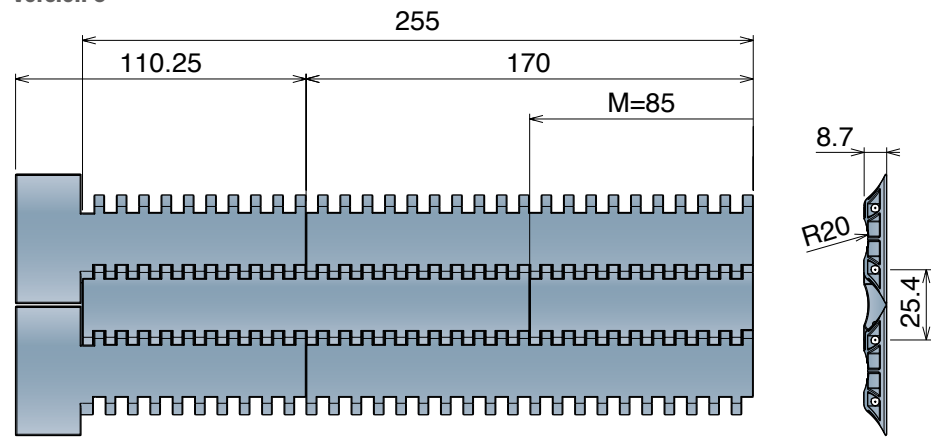
Max w. load: 27500 N/m
Weight: 8,5 kg/m²
Temp. range dry: -40+80 °C
Temp. range wet: -40+65 °C
Pin material: PBT white

MX - Code 03

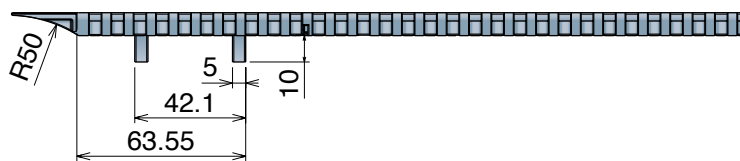
Performance PBT

Max w. load: 22000 N/m
Weight: 8,2 kg/m²
Temp. range dry: -40+120 °C
Temp. range wet: -40+60 °C
Pin material: POM grey

Version C



Version CN - Near



Version CO - Opposite



Version C

Series	Material	Width	Version
5226	*	0085	C

Version CN - Near

Series	Material	Width	Version
5226	*	0170	CN
5226	*	0255	CN

Version CO - Opposite

Series	Material	Width	Version
5226	*	0170	CO
5226	*	0255	CO

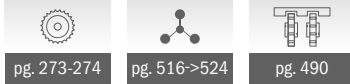
On request available with bigger/different width

550 FG Open Surface 25% Tappeto Modulare 550 FG, H=8,7 M=85 Modular Belt Series 550 FG, H=8,7 M=85 / Modulare Mattenkette 550 FG, H=8,7 M=85

CODE STRUCTURE GUIDE			
(Example)			
5222	01	0850	C
Series	*Material	Width	Version

Backflex radius min.: 25 mm

25.4mm
PITCH



pg. 273-274 pg. 516->524 pg. 490



Metric Size

*Material

LFA - Code 01

Low friction Acetal

Easy Delivery

Max w. load: 27500 N/m
Weight: 7,0 kg/m²
Temp. range dry: -40÷80 °C
Temp. range wet: -40÷65 °C
Pin material: PBT white

MX - Code 03

Performance PBT

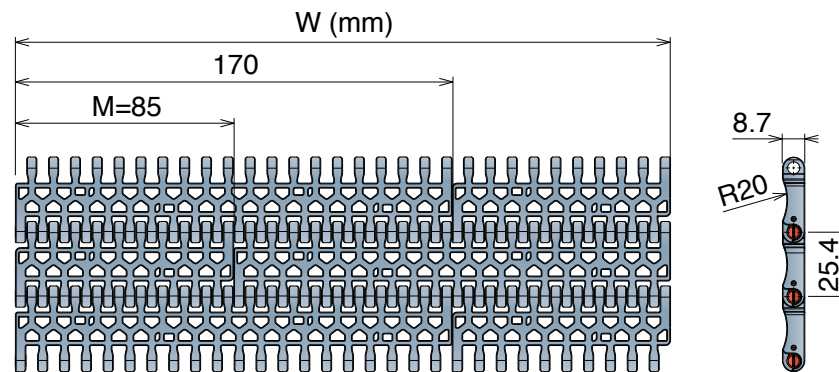
Max w. load: 22000 N/m
Weight: 6,7 kg/m²
Temp. range dry: -40÷120 °C
Temp. range wet: -40÷60 °C
Pin material: POM grey

PFX - Code 30

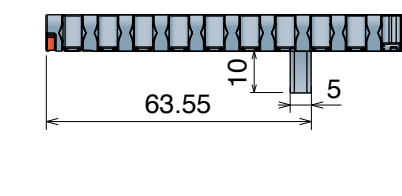
Extra performance PBT

Max w. load: 22000 N/m
Weight: 6,7 kg/m²
Temp. range dry: -40÷120 °C
Temp. range wet: -40÷60 °C
Pin material: POM grey

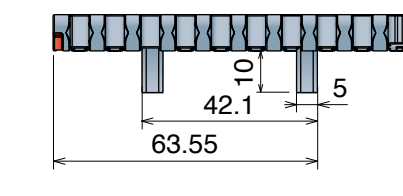
Version A - Standard



Version B - With 1 Positioner



Version C - With 2 Positioners



**THE BEST CHOICE FOR
DRY RUNNING APPLICATIONS**

Version A - Standard

Series	Material	Width	Version
5222	*	0085	A
5222	*	0170	A
5222	*	0255	A
5222	*	0340	A
5222	*	0425	A
5222	*	0510	A
5222	*	0595	A
5222	*	0680	A
5222	*	0765	A
5222	*	0850	A
5222	*	0935	A
5222	*	1020	A
5222	*	1105	A
5222	*	1190	A
5222	*	1275	A
5222	*	1360	A
5222	*	1445	A
5222	*	1530	A

Version B - With 1 Positioner

Series	Material	Width	Version
5222	*	0085	B
5222	*	0170	B
5222	*	0255	B
5222	*	0340	B
5222	*	0425	B
5222	*	0510	B
5222	*	0595	B
5222	*	0680	B
5222	*	0765	B
5222	*	0850	B
5222	*	0935	B
5222	*	1020	B
5222	*	1105	B
5222	*	1190	B
5222	*	1275	B
5222	*	1360	B
5222	*	1445	B
5222	*	1530	B

Version C - With 2 Positioners

Series	Material	Width	Version
5222	*	0085	C
5222	*	0170	C
5222	*	0255	C
5222	*	0340	C
5222	*	0425	C
5222	*	0510	C
5222	*	0595	C
5222	*	0680	C
5222	*	0765	C
5222	*	0850	C
5222	*	0935	C
5222	*	1020	C
5222	*	1105	C
5222	*	1190	C
5222	*	1275	C
5222	*	1360	C
5222	*	1445	C
5222	*	1530	C

550 FG One track Belt

Tappeti modulari / Modular belts / Mattenketten

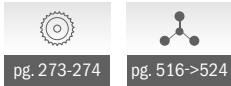
Metric Size

550 FG One track Belt Open Surface 25% Tappeto Modulare 550 FG, H=8,7 K330 Modular Belt Series 550 FG, H=8,7 K330 / Modulare Mattenkette 550 FG, H=8,7 K330

Backflex radius min.: 25 mm

CODE STRUCTURE GUIDE			
(Example)			
5222	01	9330	A
Series	*Material	Width	Version

25.4 mm
PITCH

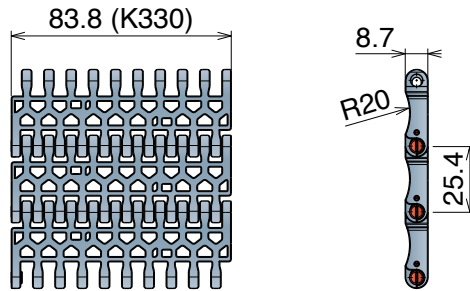


pg. 273-274

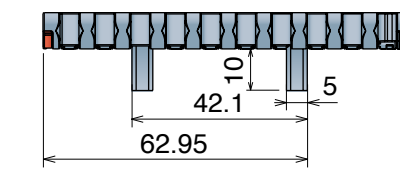
pg. 516->524



Version A - Standard



Version C - With 2 Positioner



*Material

LFA - Code 01

Low friction Acetal

Easy Delivery

Max w. load: 27500 N/m
Weight: 7,0 kg/m²
Temp. range dry: -40+80 °C
Temp. range wet: -40+65 °C
Pin material: PBT white

MX - Code 03

Performance PBT

Max w. load: 22000 N/m
Weight: 6,7 kg/m²
Temp. range dry: -40+120 °C
Temp. range wet: -40+60 °C
Pin material: POM grey

PFX - Code 30

Extra performance PBT

Max w. load: 22000 N/m
Weight: 6,7 kg/m²
Temp. range dry: -40+120 °C
Temp. range wet: -40+60 °C
Pin material: POM grey

**THE BEST CHOICE FOR
DRY RUNNING APPLICATIONS**

Version A - Standard

Series	Material	Width	Version
5222	*	9330	A

Version C - With 2 Positioners

Series	Material	Width	Version
5222	*	9330	C

550 GT

Tappeto Modulare 550 GT, H=8,7 M=85
 Modular Belt Series 550 GT, H=8,7 M=85 / Modulare Mattenkette 550 GT, H=8,7 M=85

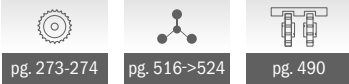
CODE STRUCTURE GUIDE

(Example)

5223	01	1020	A-S
Series	*Material	Width	Version

Backflex radius min.: 30 mm

25.4mm
PITCH



pg. 273-274

pg. 516->524

pg. 490



Metric Size

*Material

LFA - Code 01

Low friction Acetal

Max w. load: 27500 N/m
 Weight: 10,1 kg/m²
 Temp. range dry: -40÷80 °C
 Temp. range wet: -40÷65 °C
 Pin material: PBT white
 Hardness of
 Grip top Rubber: 50 Sha

PP - Code 02

Polypropylene

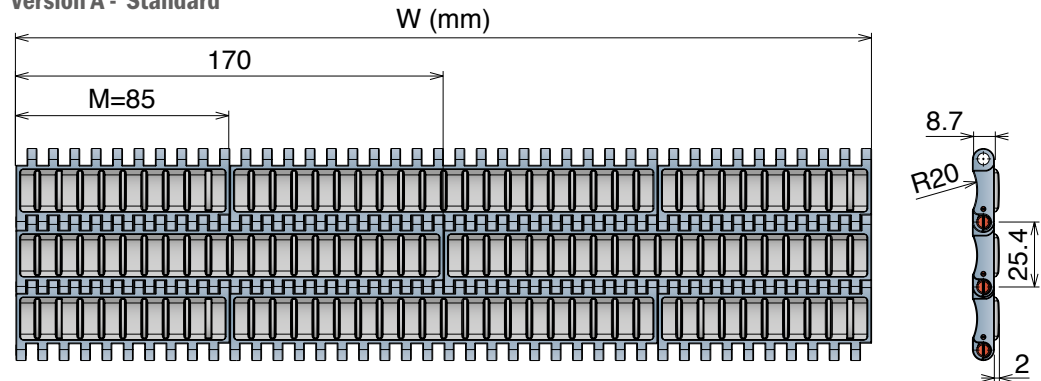
Max w. load: 16500 N/m
 Weight: 8,4 kg/m²
 Temp. range dry: 4÷80 °C
 Temp. range wet: 4÷65 °C
 Pin material: PP blu
 Hardness of
 Grip top Rubber: 50 Sha

MX - Code 03

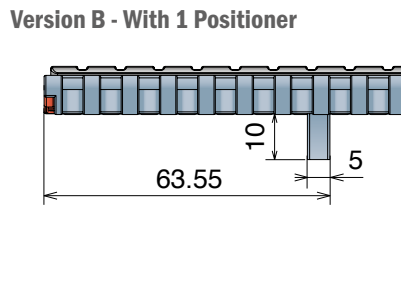
Performance PBT

Max w. load: 21500 N/m
 Weight: 10,5 kg/m²
 Temp. range dry: -40÷120 °C
 Temp. range wet: -40÷60 °C
 Pin material: POM grey
 Hardness of
 Grip top Rubber: 50 Sha

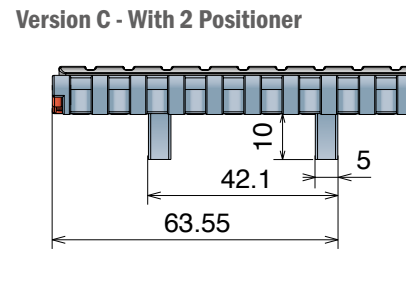
Version A - Standard



Version B - With 1 Positioner



Version C - With 2 Positioner



Version A - Standard

Series	Material	Width	Version
5223	*	0085	A
5223	*	0170	A
5223	*	0255	A
5223	*	0340	A
5223	*	0425	A
5223	*	0510	A
5223	*	0595	A
5223	*	0680	A
5223	*	0765	A
5223	*	0850	A
5223	*	0935	A
5223	*	1020	A
5223	*	1105	A
5223	*	1190	A
5223	*	1275	A
5223	*	1360	A
5223	*	1445	A
5223	*	1530	A

Version B - With 1 Positioner

Series	Material	Width	Version
5223	*	0085	B
5223	*	0170	B
5223	*	0255	B
5223	*	0340	B
5223	*	0425	B
5223	*	0510	B
5223	*	0595	B
5223	*	0680	B
5223	*	0765	B
5223	*	0850	B
5223	*	0935	B
5223	*	1020	B
5223	*	1105	B
5223	*	1190	B
5223	*	1275	B
5223	*	1360	B
5223	*	1445	B
5223	*	1530	B

Version C - With 2 Positioners

Series	Material	Width	Version
5223	*	0085	C
5223	*	0170	C
5223	*	0255	C
5223	*	0340	C
5223	*	0425	C
5223	*	0510	C
5223	*	0595	C
5223	*	0680	C
5223	*	0765	C
5223	*	0850	C
5223	*	0935	C
5223	*	1020	C
5223	*	1105	C
5223	*	1190	C
5223	*	1275	C
5223	*	1360	C
5223	*	1445	C
5223	*	1530	C

550 GT Side indent

Tappeti modulari / Modular belts / Mattenketten

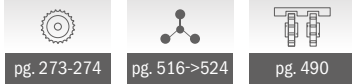
Metric Size

550 GT Side indent Tappeto Modulare 550 GT, H=8,7 M=85 Modular Belt Series 550 GT, H=8,7 M=85 / Modulare Mattenkette 550 GT, H=8,7 M=85

CODE STRUCTURE GUIDE			
(Example)			
5225	01	0595	B-S
Series	*Material	Width	Version

Backflex radius min.: 30 mm

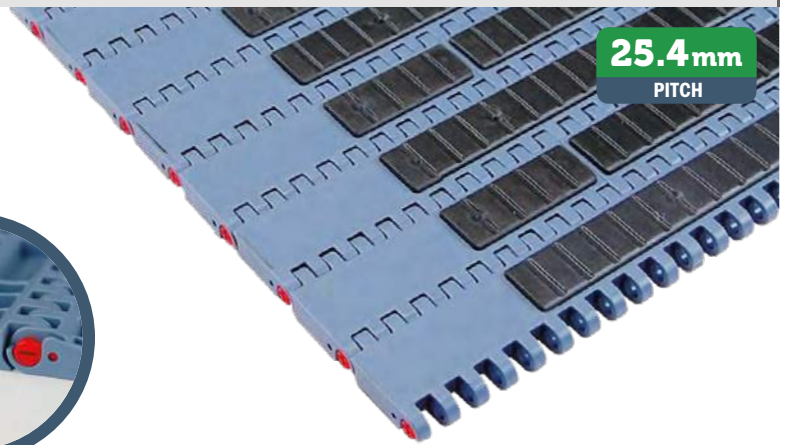
25.4 mm
PITCH



pg. 273-274

pg. 516->524

pg. 490



*Material

LFA - Code 01

Low friction Acetal

Max w. load: 27500 N/m
Weight: 10,1 kg/m²
Temp. range dry: -40+80 °C
Temp. range wet: -40+65 °C
Pin material: PBT white
Hardness of
Grip top Rubber: 50 ShA

PP - Code 02

Polypropylene

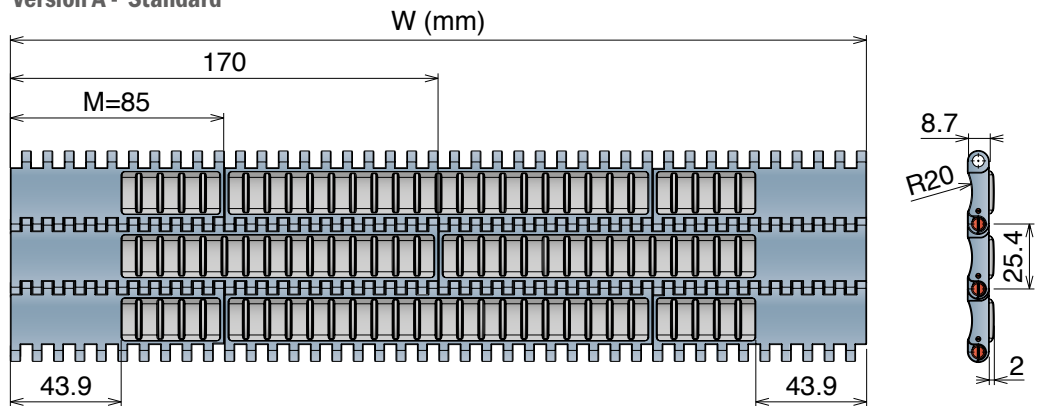
Max w. load: 16500 N/m
Weight: 8,4 kg/m²
Temp. range dry: 4+80 °C
Temp. range wet: 4+65 °C
Pin material: PP blu
Hardness of
Grip top Rubber: 50 ShA

MX - Code 03

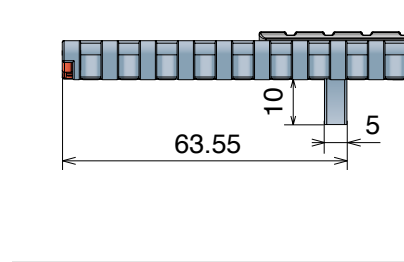
Performance PBT

Max w. load: 21500 N/m
Weight: 10,5 kg/m²
Temp. range dry: -40+120 °C
Temp. range wet: -40+60 °C
Pin material: POM grey
Hardness of
Grip top Rubber: 50 ShA

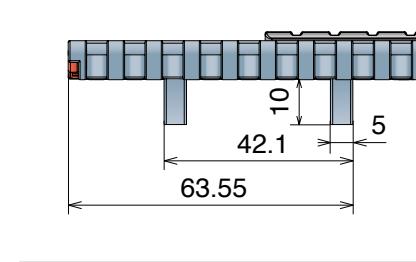
Version A - Standard



Version B - With 1 Positioner



Version C - With 2 Positioners



Version A - Standard

Series	Material	Width	Version
5225	*	0255	A
5225	*	0340	A
5225	*	0425	A
5225	*	0510	A
5225	*	0595	A
5225	*	0680	A
5225	*	0765	A
5225	*	0850	A
5225	*	0935	A
5225	*	1020	A
5225	*	1105	A
5225	*	1190	A
5225	*	1275	A
5225	*	1360	A
5225	*	1445	A
5225	*	1530	A

Version B - With 1 Positioner

Series	Material	Width	Version
5225	*	0255	B
5225	*	0340	B
5225	*	0425	B
5225	*	0510	B
5225	*	0595	B
5225	*	0680	B
5225	*	0765	B
5225	*	0850	B
5225	*	0935	B
5225	*	1020	B
5225	*	1105	B
5225	*	1190	B
5225	*	1275	B
5225	*	1360	B
5225	*	1445	B
5225	*	1530	B

Version C - With 2 Positioners

Series	Material	Width	Version
5225	*	0255	C
5225	*	0340	C
5225	*	0425	C
5225	*	0510	C
5225	*	0595	C
5225	*	0680	C
5225	*	0765	C
5225	*	0850	C
5225	*	0935	C
5225	*	1020	C
5225	*	1105	C
5225	*	1190	C
5225	*	1275	C
5225	*	1360	C
5225	*	1445	C
5225	*	1530	C

Tappeti modulari / Modular belts / Mattenketten

550 PRO FT

Tappeto Modulare 550 PRO FT, H=8,7 K330

Modular Belt Series 550 PRO FT, H=8,7 K330 / Modulare Mattenkette 550 PRO FT, H=8,7 K330

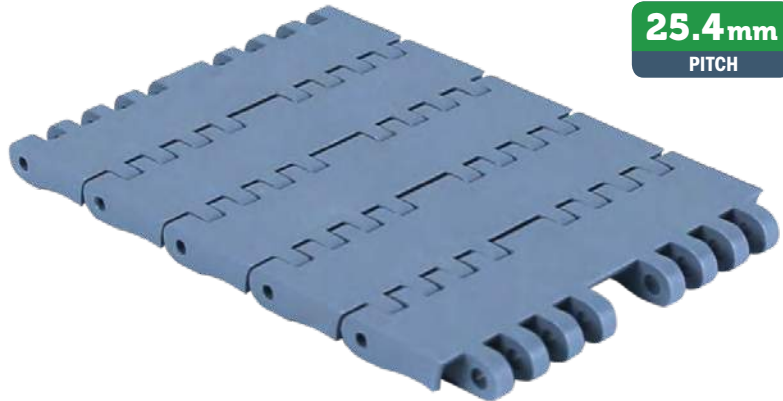
CODE STRUCTURE GUIDE

(Example)

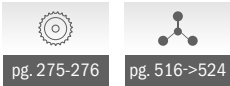
Backflex radius min.: 25 mm

5227	30	9330	A
Series	*Material	Width	Version

25.4mm
PITCH



Metric Size



pg. 275-276

pg. 516->524

*Material

LFA - Code 01

Low friction Acetal

Easy Delivery

Max w. load: 27500 N/m
Weight: 8,5 kg/m²
Temp. range dry: -40÷80 °C
Temp. range wet: -40÷65 °C
Pin material: PBT white

MX - Code 03

Performance PBT

Max w. load: 22000 N/m
Weight: 8,2 kg/m²
Temp. range dry: -40÷120 °C
Temp. range wet: -40÷60 °C
Pin material: POM grey

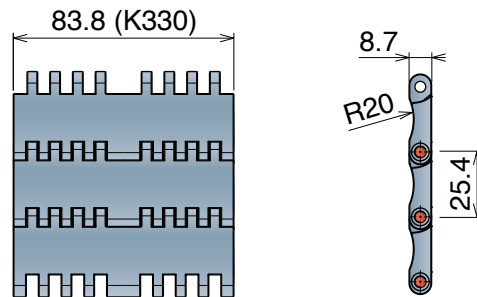
PFX - Code 30

Extra performance PBT

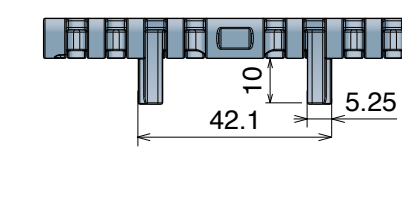
Max w. load: 22000 N/m
Weight: 8,2 kg/m²
Temp. range dry: -40÷120 °C
Temp. range wet: -40÷60 °C
Pin material: POM grey

**THE BEST CHOICE FOR
DRY RUNNING APPLICATIONS**

Version A - Standard



Version C - With 2 Positioner



Version A - Standard

Series	Material	Width	Version
5227	*	9330	A

Version C - With 2 Positioners

Series	Material	Width	Version
5227	*	9330	C

550 PRO M

Tappeto Modulare 550 PRO M, H=8,7 K330

Modular Belt Series 550 PRO M, H=8,7 K330 / Modulare Mattenkette 550 PRO M, H=8,7 K330





CODE STRUCTURE GUIDE

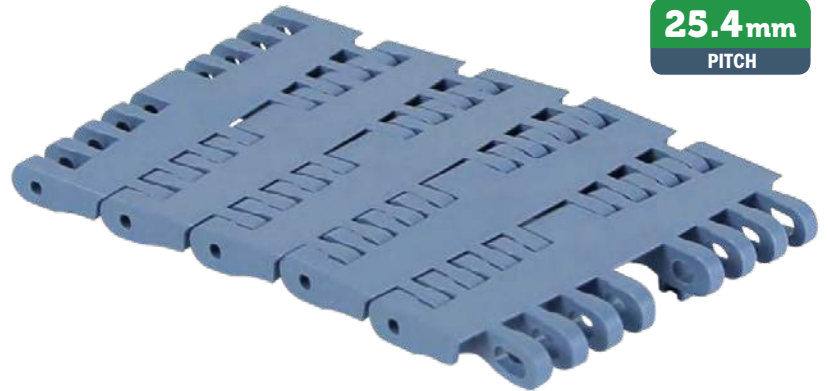
(Example)

5228	30	9330	C
Series	*Material	Width	Version

Backflex radius min.: 15 mm

25.4 mm
PITCH

 10 feet 3.048 m	 pg. 275-276	 pg. 162	 pg. 516->524
240 links			



Magnetic System

*Material

LFA - Code 01

Low friction Acetal

Easy Delivery

Max w. load: 30000 N/m
Weight: 8,2 kg/m²
Temp. range dry: -40+80 °C
Temp. range wet: -40+65 °C
Pin material: Ferritic
Stainless Steel

MX - Code 03

Performance PBT

Max w. load: 24000 N/m
Weight: 8,0 kg/m²
Temp. range dry: -40+120 °C
Temp. range wet: -40+60 °C
Pin material: Ferritic
Stainless Steel

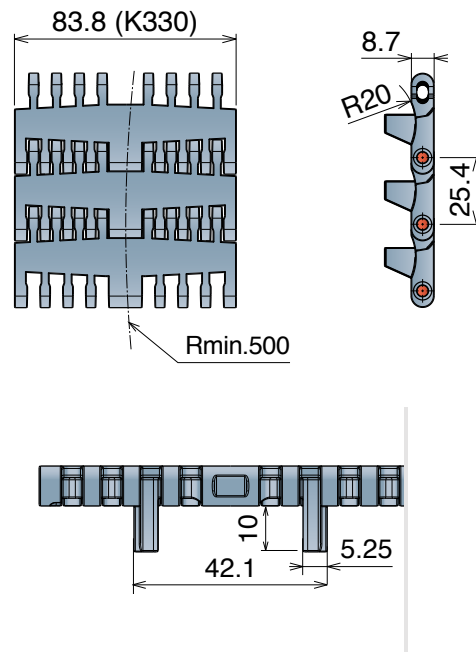
PFX - Code 30

Extra performance PBT

Max w. load: 24000 N/m
Weight: 8,0 kg/m²
Temp. range dry: -40+120 °C
Temp. range wet: -40+60 °C
Pin material: Ferritic
Stainless Steel

**THE BEST CHOICE FOR
DRY RUNNING APPLICATIONS**

Version C - With 2 Positioner



Version C - With 2 Positioners

Series	Material	Width	Version
5228	*	9330	C

551

Pitch 25,4 mm
H= 12,7 mm



Metric Size

- 551 FT
- 551 FTT
- 551 GT
- 551 GT *Side indent*
- 551 LBP
- 551 PRO LBP

551 FT

Tappeto Modulare 551 FT, H=12,7 M=85
Modular Belt Series 551 FT, H=12,7 M=85 / Modulare Mattenkette 551 FT, H=12,7 M=85

CODE STRUCTURE GUIDE			
(Example)			
5231	01	0680	C
Series	*Material	Width	Version

Backflex radius min.: 25 mm

25.4 mm
PITCH



* Material

LFA - Code 01

Low friction Acetal

Easy Delivery

Max w. load: 41500 N/m
Weight: 12,5 kg/m²
Temp. range dry: -40÷80 °C
Temp. range wet: -40÷65 °C
Pin material: PBT white

PP - Code 02

Polypropylene

Max w. load: 27000 N/m
Weight: 10,0 kg/m²
Temp. range dry: 4÷80 °C
Temp. range wet: 4÷65 °C
Pin material: PP blu

MX - Code 03

Performance PBT

Max w. load: 33500 N/m
Weight: 12,0 kg/m²
Temp. range dry: -40÷120 °C
Temp. range wet: -40÷60 °C
Pin material: POM grey

DKM - Code 16

Aramide Reinforced Acetal

Max w. load: 41500 N/m
Weight: 12,5 kg/m²
Temp. range dry: -40÷80 °C
Temp. range wet: -40÷65 °C
Pin material: PBT white

MWX - Code 17

Polyamide Composite

Max w. load: 41500 N/m
Weight: 13,0 kg/m²
Temp. range dry: -40÷104 °C
Temp. range wet: NR
Pin material: PBT white

MPX - Code 25

Lubricated Acetal

Max w. load: 41500 N/m
Weight: 12,5 kg/m²
Temp. range dry: -40÷80 °C
Temp. range wet: -40÷65 °C
Pin material: PBT white

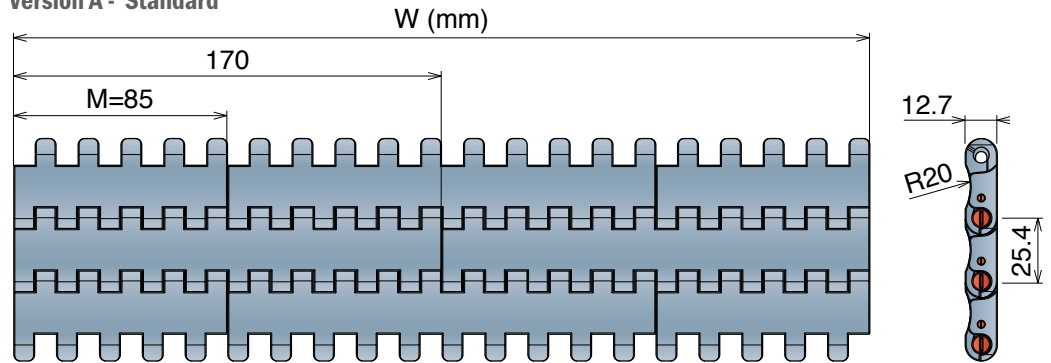
PFX - Code 30

Extra performance PBT

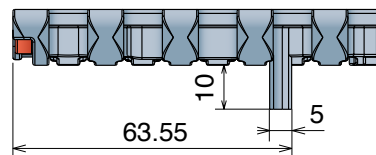
Max w. load: 33500 N/m
Weight: 12,0 kg/m²
Temp. range dry: -40÷120 °C
Temp. range wet: -40÷60 °C
Pin material: POM grey

**THE BEST CHOICE FOR
DRY RUNNING APPLICATIONS**

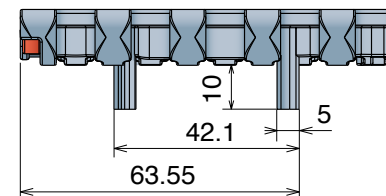
Version A - Standard



Version B - With 1 Positioner



Version C - With 2 Positioner



Version A - Standard

Series	Material	Width	Version
5231	*	0085	A
5231	*	0170	A
5231	*	0255	A
5231	*	0340	A
5231	*	0425	A
5231	*	0510	A
5231	*	0595	A
5231	*	0680	A
5231	*	0765	A
5231	*	0850	A
5231	*	0935	A
5231	*	1020	A
5231	*	1105	A
5231	*	1190	A
5231	*	1275	A
5231	*	1360	A
5231	*	1445	A
5231	*	1530	A

Version B - With 1 Positioner

Series	Material	Width	Version
5231	*	0085	B
5231	*	0170	B
5231	*	0255	B
5231	*	0340	B
5231	*	0425	B
5231	*	0510	B
5231	*	0595	B
5231	*	0680	B
5231	*	0765	B
5231	*	0850	B
5231	*	0935	B
5231	*	1020	B
5231	*	1105	B
5231	*	1190	B
5231	*	1275	B
5231	*	1360	B
5231	*	1445	B
5231	*	1530	B

Version C - With 2 Positioners

Series	Material	Width	Version
5231	*	0085	C
5231	*	0170	C
5231	*	0255	C
5231	*	0340	C
5231	*	0425	C
5231	*	0510	C
5231	*	0595	C
5231	*	0680	C
5231	*	0765	C
5231	*	0850	C
5231	*	0935	C
5231	*	1020	C
5231	*	1105	C
5231	*	1190	C
5231	*	1275	C
5231	*	1360	C
5231	*	1445	C
5231	*	1530	C

551 FTT

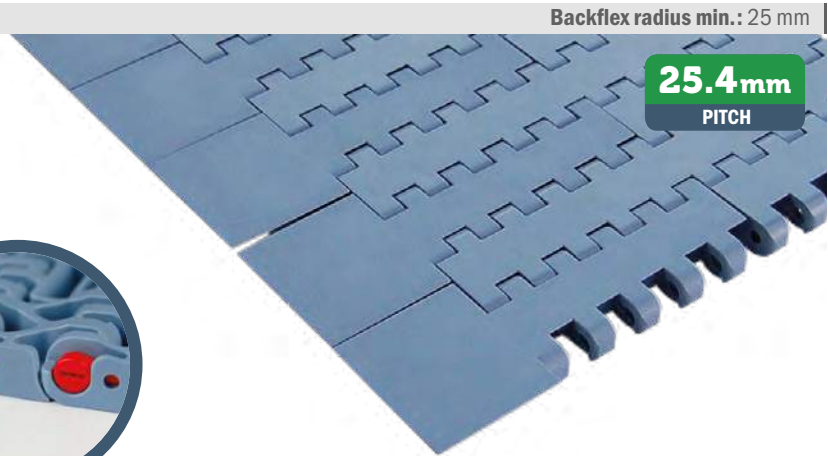
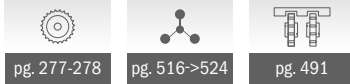
Tappeto Modulare 551 FTT, H=12,7 M=85
 Modular Belt Series 551 FTT, H=12,7 M=85 / Modulare Mattenkette 551 FTT, H=12,7 M=85

CODE STRUCTURE GUIDE			
(Example)			
5236	01	0085	C
Series	*Material	Width	Version

Backflex radius min.: 25 mm

25.4mm
PITCH

Metric Size



*Material

LFA - Code 01

Low friction Acetal

Max w. load: 41500 N/m
 Weight: 12,5 kg/m²
 Temp. range dry: -40÷80 °C
 Temp. range wet: -40÷65 °C
 Pin material: PBT white

MX - Code 03

Performance PBT

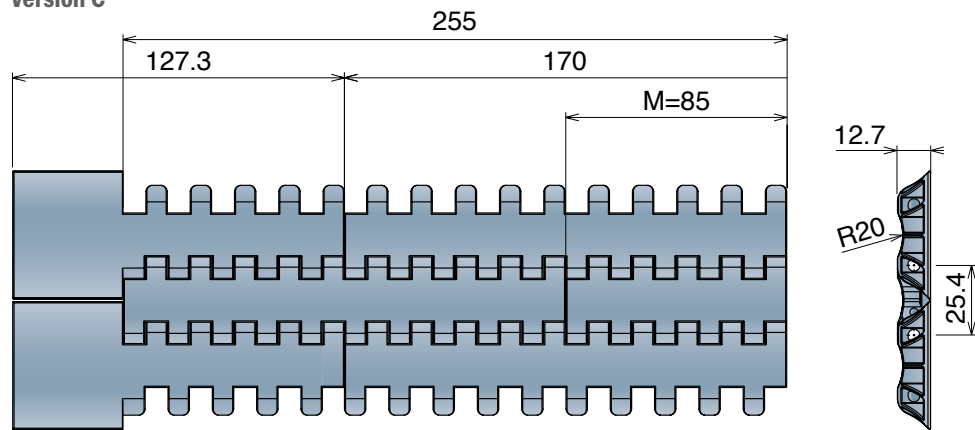
Max w. load: 33500 N/m
 Weight: 12,0 kg/m²
 Temp. range dry: -40÷120 °C
 Temp. range wet: -40÷60 °C
 Pin material: POM grey

MPX - Code 25

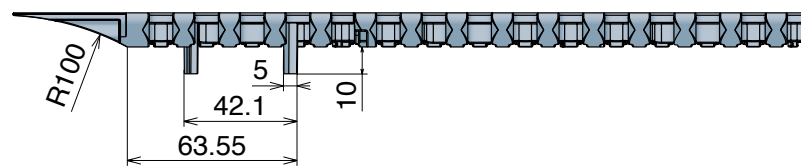
Lubricated Acetal

Max w. load: 41500 N/m
 Weight: 12,5 kg/m²
 Temp. range dry: -40÷80 °C
 Temp. range wet: -40÷65 °C
 Pin material: PBT white

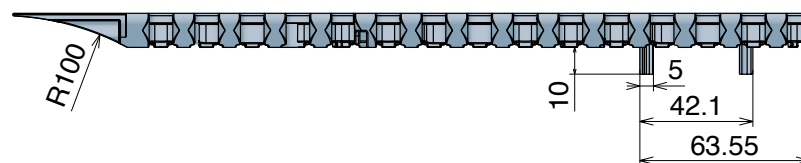
Version C



Version CN - Near



Version C0 - Opposite



Version C

Series	Material	Width	Version
5236	*	0085	C

Version CN - Near

Series	Material	Width	Version
5236	*	0170	CN
5236	*	0255	CN

Version C0 - Opposite

Series	Material	Width	Version
5236	*	0170	C0
5236	*	0255	C0

On request available with bigger/different width

551 GT

Tappeti modulari / Modular belts / Mattenketten

Metric Size

551 GT

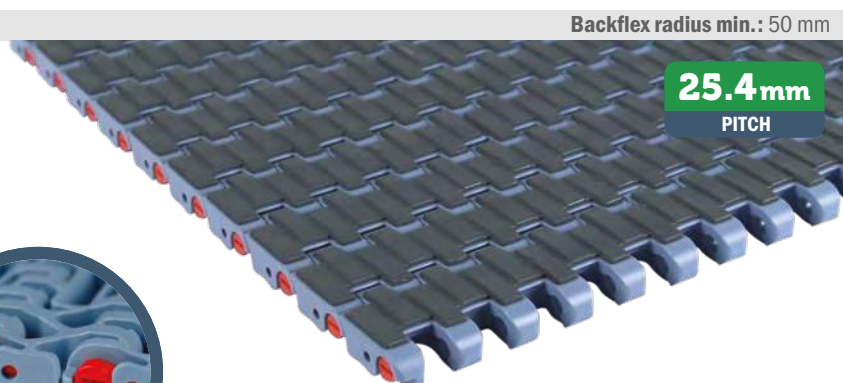
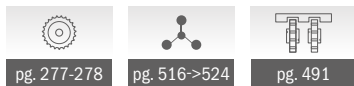
Tappeto Modulare 551 GT, H=12,7 M=85

Modular Belt Series 551 GT, H=12,7 M=85 / Modulare Mattenkette 551 GT, H=12,7 M=85

CODE STRUCTURE GUIDE			
(Example)			
5233	01	0255	B-S
Series	*Material	Width	Version

Backflex radius min.: 50 mm

25.4 mm
PITCH



*Material

LFA - Code 01
Low friction Acetal

Easy Delivery

Max w. load: 41500 N/m
Weight: 13,5 kg/m²
Temp. range dry: -40+80 °C
Temp. range wet: -40+65 °C
Pin material: PBT white
Hardness of
Grip top Rubber: 50 ShA

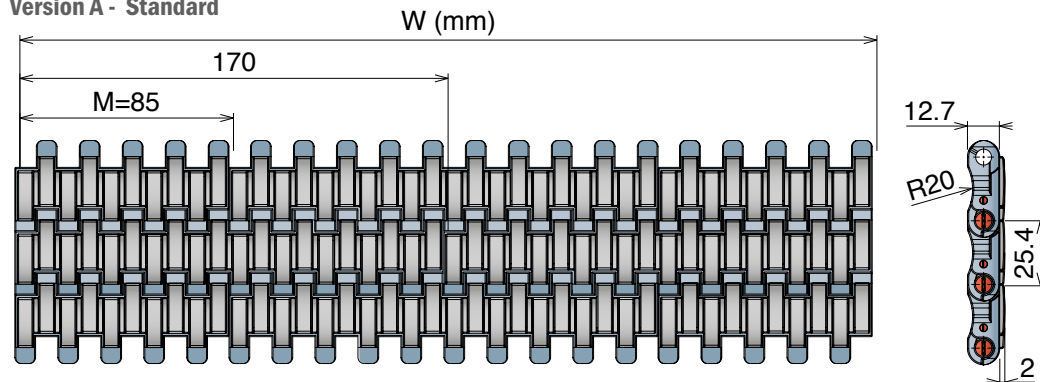
PP - Code 02
Polypropylene

Max w. load: 27000 N/m
Weight: 11,0 kg/m²
Temp. range dry: 4+80 °C
Temp. range wet: 4+65 °C
Pin material: PP blu
Hardness of
Grip top Rubber: 50 ShA

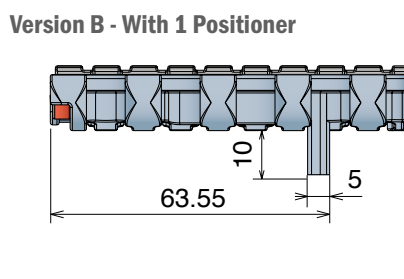
MX - Code 03
Performance PBT

Max w. load: 33500 N/m
Weight: 12,7 kg/m²
Temp. range dry: -40+120 °C
Temp. range wet: -40+60 °C
Pin material: POM grey
Hardness of
Grip top Rubber: 50 ShA

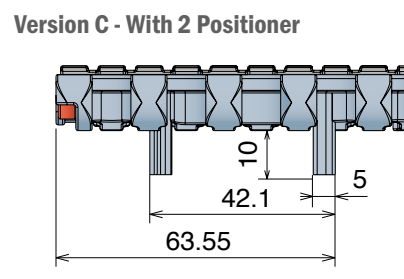
Version A - Standard



Version B - With 1 Positioner



Version C - With 2 Positioners



Version A - Standard

Series	Material	Width	Version
5233	*	0085	A
5233	*	0170	A
5233	*	0255	A
5233	*	0340	A
5233	*	0425	A
5233	*	0510	A
5233	*	0595	A
5233	*	0680	A
5233	*	0765	A
5233	*	0850	A
5233	*	0935	A
5233	*	1020	A
5233	*	1105	A
5233	*	1190	A
5233	*	1275	A
5233	*	1360	A
5233	*	1445	A
5233	*	1530	A

Version B - With 1 Positioner

Series	Material	Width	Version
5233	*	0085	B
5233	*	0170	B
5233	*	0255	B
5233	*	0340	B
5233	*	0425	B
5233	*	0510	B
5233	*	0595	B
5233	*	0680	B
5233	*	0765	B
5233	*	0850	B
5233	*	0935	B
5233	*	1020	B
5233	*	1105	B
5233	*	1190	B
5233	*	1275	B
5233	*	1360	B
5233	*	1445	B
5233	*	1530	B

Version C - With 2 Positioners

Series	Material	Width	Version
5233	*	0085	C
5233	*	0170	C
5233	*	0255	C
5233	*	0340	C
5233	*	0425	C
5233	*	0510	C
5233	*	0595	C
5233	*	0680	C
5233	*	0765	C
5233	*	0850	C
5233	*	0935	C
5233	*	1020	C
5233	*	1105	C
5233	*	1190	C
5233	*	1275	C
5233	*	1360	C
5233	*	1445	C
5233	*	1530	C

Tappeti modulari / Modular belts / Mattenketten

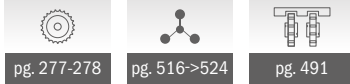
551 GT Side indent Tappeto Modulare 551 GT, H=12,7 M=85

Modular Belt Series 551 GT, H=12,7 M=85 / Modulare Mattenkette 551 GT, H=12,7 M=85

CODE STRUCTURE GUIDE			
(Example)			
5235	01	0765	A-S
Series	*Material	Width	Version

Backflex radius min.: 50 mm

25.4mm
PITCH



pg. 277-278

pg. 516->524

pg. 491



Metric Size

*Material

LFA - Code 01

Low friction Acetal

Easy Delivery

Max w. load: 41500 N/m
Weight: 13,5 kg/m²
Temp. range dry: -40+80 °C
Temp. range wet: -40+65 °C
Pin material: PBT white
Hardness of
Grip top Rubber: 50 Sha

PP - Code 02

Polypropylene

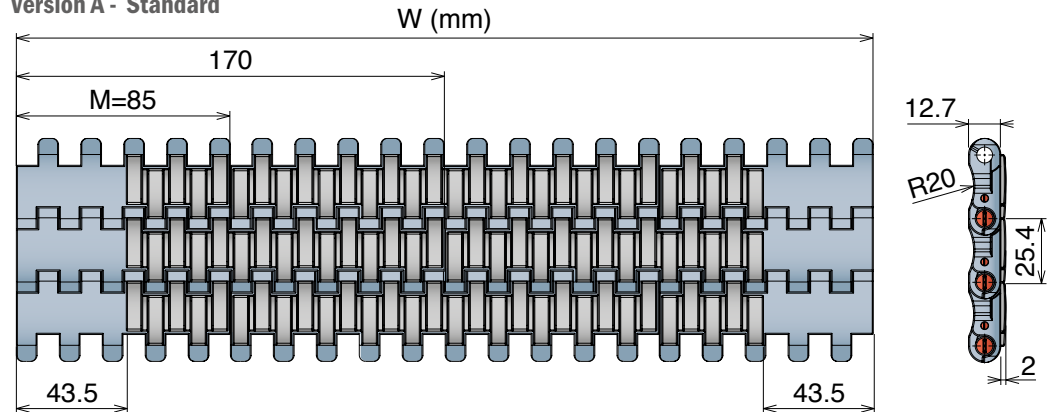
Max w. load: 27000 N/m
Weight: 11,0 kg/m²
Temp. range dry: 4+80 °C
Temp. range wet: 4+65 °C
Pin material: PP blu
Hardness of
Grip top Rubber: 50 Sha

MX - Code 03

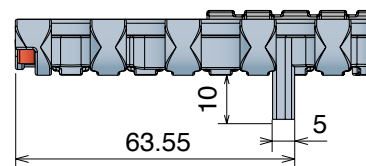
Performance PBT

Max w. load: 33500 N/m
Weight: 12,7 kg/m²
Temp. range dry: -40+120 °C
Temp. range wet: -40+60 °C
Pin material: POM grey
Hardness of
Grip top Rubber: 50 Sha

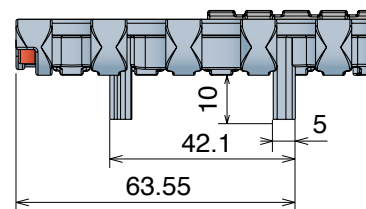
Version A - Standard



Version B - With 1 Positioner



Version C - With 2 Positioner



Version A - Standard

Series	Material	Width	Version
5235	*	0255	A
5235	*	0340	A
5235	*	0425	A
5235	*	0510	A
5235	*	0595	A
5235	*	0680	A
5235	*	0765	A
5235	*	0850	A
5235	*	0935	A
5235	*	1020	A
5235	*	1105	A
5235	*	1190	A
5235	*	1275	A
5235	*	1360	A
5235	*	1445	A
5235	*	1530	A

Version B - With 1 Positioner

Series	Material	Width	Version
5235	*	0255	B
5235	*	0340	B
5235	*	0425	B
5235	*	0510	B
5235	*	0595	B
5235	*	0680	B
5235	*	0765	B
5235	*	0850	B
5235	*	0935	B
5235	*	1020	B
5235	*	1105	B
5235	*	1190	B
5235	*	1275	B
5235	*	1360	B
5235	*	1445	B
5235	*	1530	B

Version C - With 2 Positioners

Series	Material	Width	Version
5235	*	0255	C
5235	*	0340	C
5235	*	0425	C
5235	*	0510	C
5235	*	0595	C
5235	*	0680	C
5235	*	0765	C
5235	*	0850	C
5235	*	0935	C
5235	*	1020	C
5235	*	1105	C
5235	*	1190	C
5235	*	1275	C
5235	*	1360	C
5235	*	1445	C
5235	*	1530	C

551 LBP

Tappeti modulari / Modular belts / Mattenketten

Metric Size

551 LBP

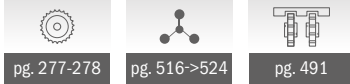
Tappeto Modulare 551 LBP, H=12,7 M=85

Modular Belt Series 551 LBP, H=12,7 M=85 / Modulare Mattenkette 551 LBP, H=12,7 M=85

CODE STRUCTURE GUIDE			
(Example)			
5234	01	0425	A
Series	*Material	Width	Version

Backflex radius min.: 120 mm

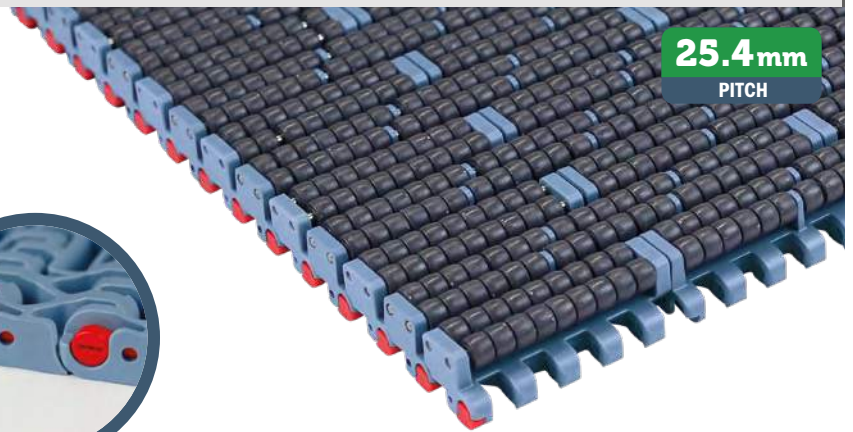
25.4mm
PITCH



pg. 277-278

pg. 516->524

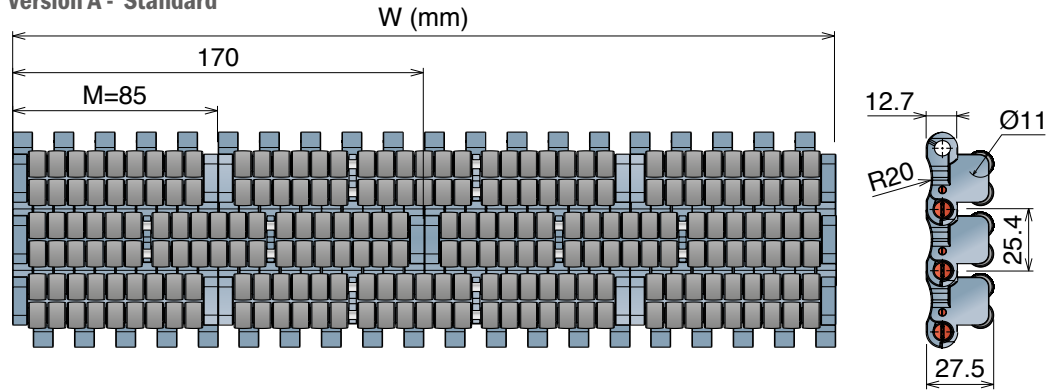
pg. 491



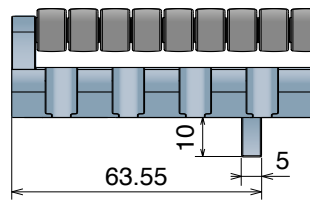
*Material
LFA - Code 01
Low friction Acetal

Max w. load: 41500 N/m
Weight: 26,9 kg/m²
Temp. range dry: -40+80 °C
Temp. range wet: -40+65 °C
Pin material: PBT white

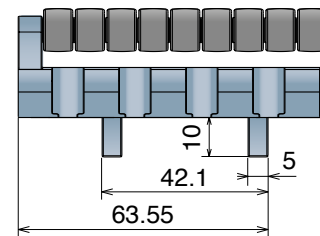
Version A - Standard



Version B - With 1 Positioner



Version C - With 2 Positioners



Version A - Standard

Series	Material	Width	Version
5234	*	0085	A
5234	*	0170	A
5234	*	0255	A
5234	*	0340	A
5234	*	0425	A
5234	*	0510	A
5234	*	0595	A
5234	*	0680	A
5234	*	0765	A
5234	*	0850	A
5234	*	0935	A
5234	*	1020	A
5234	*	1105	A
5234	*	1190	A
5234	*	1275	A
5234	*	1360	A
5234	*	1445	A
5234	*	1530	A

Version B - With 1 Positioner

Series	Material	Width	Version
5234	*	0085	B
5234	*	0170	B
5234	*	0255	B
5234	*	0340	B
5234	*	0425	B
5234	*	0510	B
5234	*	0595	B
5234	*	0680	B
5234	*	0765	B
5234	*	0850	B
5234	*	0935	B
5234	*	1020	B
5234	*	1105	B
5234	*	1190	B
5234	*	1275	B
5234	*	1360	B
5234	*	1445	B
5234	*	1530	B

Version C - With 2 Positioners

Series	Material	Width	Version
5234	*	0085	C
5234	*	0170	C
5234	*	0255	C
5234	*	0340	C
5234	*	0425	C
5234	*	0510	C
5234	*	0595	C
5234	*	0680	C
5234	*	0765	C
5234	*	0850	C
5234	*	0935	C
5234	*	1020	C
5234	*	1105	C
5234	*	1190	C
5234	*	1275	C
5234	*	1360	C
5234	*	1445	C
5234	*	1530	C

Tappeti modulari / Modular belts / Mattenketten

551 PRO LBP

Modular Belt Series 551 PRO LBP H=12.15 M=85

Metric Size

Energy

25% less energy consumed.
Lower belt weight and smooth rotation of the rollers guarantee minimal backline pressure.

Backline pressure

During accumulation phase,
30% less pressure on the product.

Easy clip

Easy and quick installation and use.

Pins connection

Improved pins and roller connection
available pins in Plastic or SS.



Radius in modules

Minimizes chordal action
with transfer plate \varnothing 50 mm.

Safe design

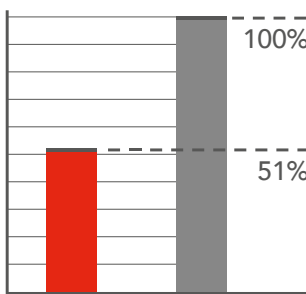
Reduces gaps between the rollers for a more
secure solution for the chain.

551 PRO LBP, the new concept of accumulation: less noise, smaller in-line transfer area and lighter than the standard LBP chains and belts. These features offer an advantage in energy consumption, reduced friction and noise level.

551 PRO LBP is designed with a finger protection device between the modules.

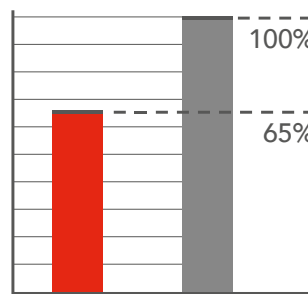
The Difference with a standard LBP

GAPS BETWEEN ROLLERS



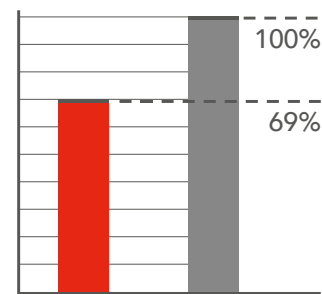
PRO Standard LBP chain

HEADSHAFT TENSION



PRO Standard LBP chain

BACKLINE PRESSURE



PRO Standard LBP chain



High performance

- -30% Backline pressure
- Improved roller and pins connection
- Smaller head to tail transfers



Best Safety

- Small gaps between rollers, to protect operator
- Permanently fixed roller pins
- Improved low noise



Energy saving

- Low chain weight
- Reduction of friction
- Wearstrips in **BluLub** are recommended

Check with the Movex application department the possibilities to use it.

551 PRO LBP

Tappeti modulari / Modular belts / Mattenketten

Metric Size

551 PRO LBP

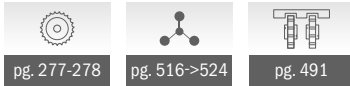
Tappeto Modulare 551 PRO LBP, H=12,7 M=85

Modular Belt Series 551 PRO LBP, H=12,7 M=85 / Modulare Mattenkette 551 PRO LBP, H=12,7 M=85

CODE STRUCTURE GUIDE			
(Example)			
5240	01	0425	A
Series	*Material	Width	Version

Backflex radius min.: 100 mm

25.4 mm
PITCH



pg. 277-278

pg. 516->524

pg. 491

Standard with PFX rollers

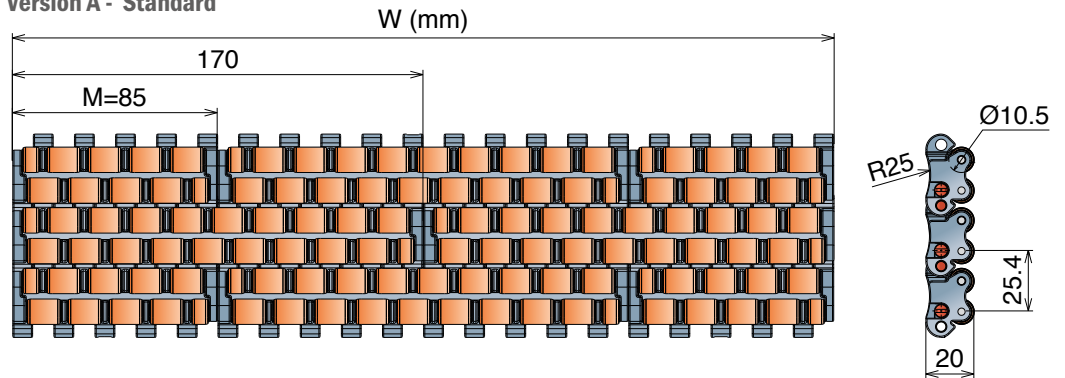
Material
LFA - Code 01 Low friction Acetal
Easy Delivery
Max w. load: 41500 N/m
Weight SS pin: 13,8 kg/m ²
Weight Plastic pin: 11,0 kg/m ²
Temp. range dry: -40+80 °C
Temp. range wet: -40+65 °C
Pin material: PBT white

PFX Roller

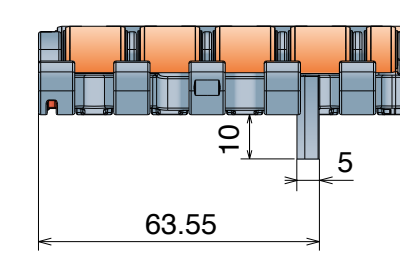
THE BEST CHOICE FOR DRY RUNNING APPLICATIONS

Patented

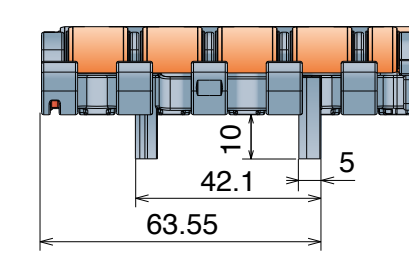
Version A - Standard



Version B - With 1 Positioner



Version C - With 2 Positioner



Stainless steel Pin

Series	Material	Width	*Version
5239	01	0085	*
5239	01	0170	*
5239	01	0255	*
5239	01	0340	*
5239	01	0425	*
5239	01	0510	*
5239	01	0595	*
5239	01	0680	*



Plastic Pin

Series	Material	Width	*Version
5240	01	0085	*
5240	01	0170	*
5240	01	0255	*
5240	01	0340	*
5240	01	0425	*
5240	01	0510	*
5240	01	0595	*
5240	01	0680	*

*Version

Standard Add A | With 1 Positioner Add B | With 2 Positioners Add C

552

Pitch 25,4 mm

H= 12,7 mm



552 FT

552 FT *One track Belt*

552 FTT

552 PT

552 PT *One track Belt*

552 GT

552 GT *Side indent*

552 FT

Tappeti modulari / Modular belts / Mattenketten

Imperial Size

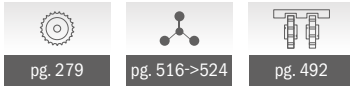
552 FT

Tappeto Modulare 552 FT, H=12,7 M=3"
Modular Belt Series 552 FT, H=12,7 M=3" / Modulare Mattenkette 552 FT, H=12,7 M=3"

CODE STRUCTURE GUIDE			
(Example)			
5341	01	0021	A
Series	*Material	Width	Version

Backflex radius min.: 25 mm

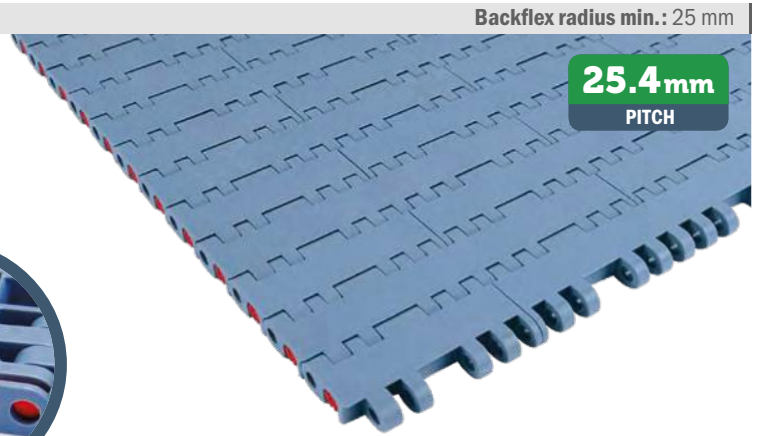
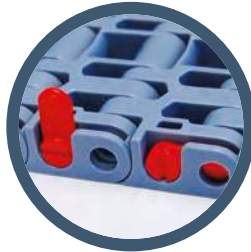
25.4 mm
PITCH



pg. 279

pg. 516->524

pg. 492



*Material

LFA - Code 01

Low friction Acetal

Easy Delivery

Max w. load: 41500 N/m
Weight: 13,5 kg/m²
Temp. range dry: -40+80 °C
Temp. range wet: -40+65 °C
Pin material: PBT white

MX - Code 03

Performance PBT

Max w. load: 33500 N/m
Weight: 13,0 kg/m²
Temp. range dry: -40+120 °C
Temp. range wet: -40+60 °C
Pin material: POM grey

MWX - Code 17

Polyamide Composite

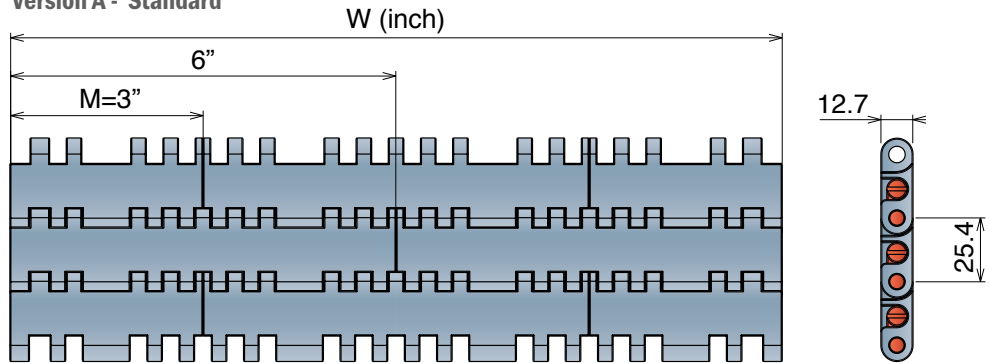
Max w. load: 41500 N/m
Weight: 14,0 kg/m²
Temp. range dry: -40+104 °C
Temp. range wet: NR
Pin material: PBT white

MPX - Code 25

Lubricated Acetal

Max w. load: 41500 N/m
Weight: 13,5 kg/m²
Temp. range dry: -40+80 °C
Temp. range wet: -40+65 °C
Pin material: PBT white

Version A - Standard



Version A - Standard

Series	Material	Width	Version
5341	*	0009	A
5341	*	0012	A
5341	*	0015	A
5341	*	0018	A
5341	*	0021	A
5341	*	0024	A
5341	*	0027	A
5341	*	0030	A
5341	*	0033	A
5341	*	0036	A
5341	*	0039	A
5341	*	0042	A
5341	*	0045	A
5341	*	0048	A
5341	*	0051	A
5341	*	0054	A

Tappeti modulari / Modular belts / Mattenketten

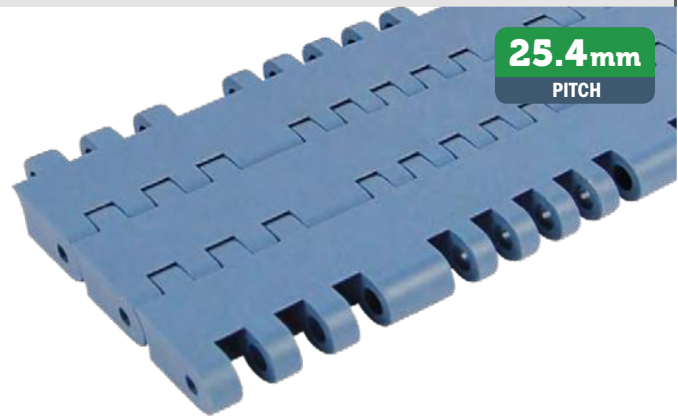
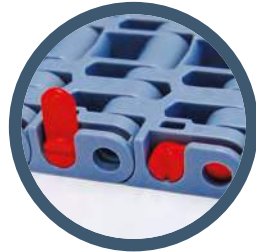
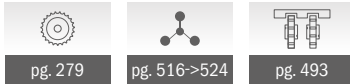
552 FT One track Belt

Tappeto Modulare 552 FT, H=12,7
Modular Belt Series 552 FT, H=12,7 / Modulare Mattenkette 552 FT, H=12,7

CODE STRUCTURE GUIDE			
(Example)			
5341	01	0003	A
Series	*Material	Width	Version

Backflex radius min.: 25 mm

25.4mm
PITCH



Imperial Size

***Material**

LFA - Code 01

Low friction Acetal

Easy Delivery

Max w. load: 41500 N/m
Weight: 13,5 kg/m²
Temp. range dry: -40+80 °C
Temp. range wet: -40+65 °C
Pin material: PBT white

MX - Code 03

Performance PBT

Max w. load: 33500 N/m
Weight: 13,0 kg/m²
Temp. range dry: -40+120 °C
Temp. range wet: -40+60 °C
Pin material: POM grey

MWX - Code 17

Polyamide Composite

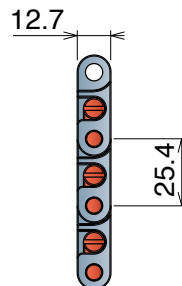
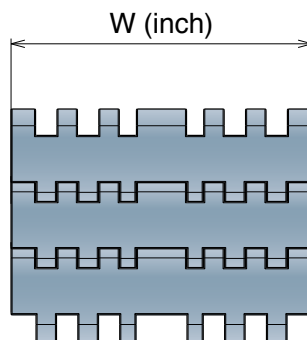
Max w. load: 41500 N/m
Weight: 14,0 kg/m²
Temp. range dry: -40+104 °C
Temp. range wet: NR
Pin material: PBT white

MPX - Code 25

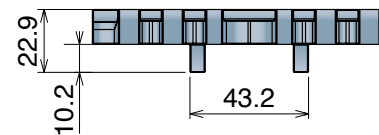
Lubricated Acetal

Max w. load: 41500 N/m
Weight: 13,5 kg/m²
Temp. range dry: -40+80 °C
Temp. range wet: -40+65 °C
Pin material: PBT white

Version A - Standard



Version C - With 2 Positioner



K300 - One track belt



Series	Material	Width	Version
5341	*	0003	A
5341	*	0003	C

K325 - One track belt



Series	Material	Width	Version
5341	*	9325	A
5341	*	9325	C

K450 - One track belt



Series	Material	Width	Version
5341	*	9450	A
5341	*	9450	C

K600 - One track belt



Series	Material	Width	Version
5341	*	0006	A
5341	*	0006	C

K750 - One track belt



Series	Material	Width	Version
5341	*	9750	A
5341	*	9750	C




552 FTT

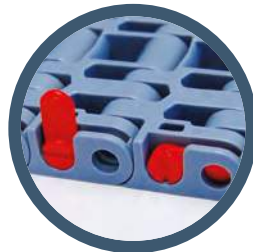
Tappeto Modulare 552 FTT, H=12,7
Modular Belt Series 552 FTT, H=12,7 / Modulare Mattenkette 552 FTT, H=12,7

CODE STRUCTURE GUIDE			
(Example)			
5346	01	9450	C-R
Series	*Material	Width	Version

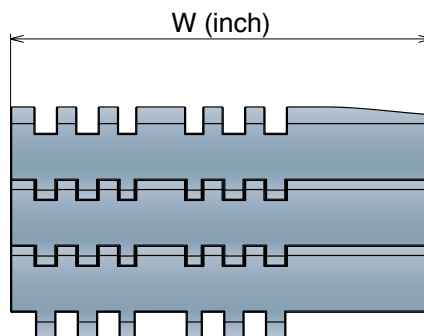
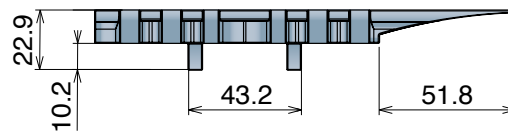
Backflex radius min.: 25 mm

25.4 mm
PITCH

 pg. 279	 pg. 516->524	 pg. 493
---	--	---

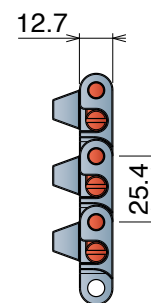


552 FTT - DX Version



K450 / K750

Series	Material	Width	Version	Total width
5346	*	9450	C - R	160.3
5346	*	9750	C - R	237.4



*Material

LFA - Code 01

Low friction Acetal

Max w. load: 41500 N/m
Weight: 13,5 kg/m²
Temp. range dry: -40÷80 °C
Temp. range wet: -40÷65 °C
Pin material: PBT white

MX - Code 03

Performance PBT

Max w. load: 33500 N/m
Weight: 13,0 kg/m²
Temp. range dry: -40÷120 °C
Temp. range wet: -40÷60 °C
Pin material: POM grey

MWX - Code 17

Polyamide Composite

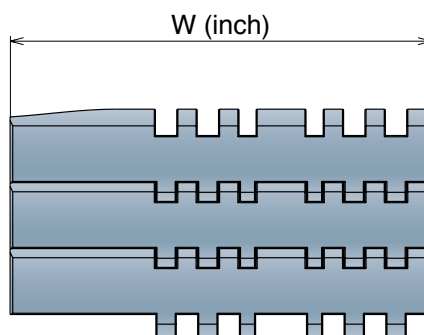
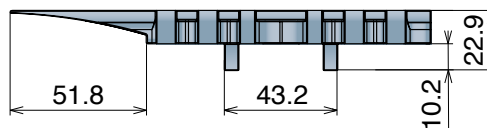
Max w. load: 41500 N/m
Weight: 14,0 kg/m²
Temp. range dry: -40÷104 °C
Temp. range wet: NR
Pin material: PBT white

MPX - Code 25

Lubricated Acetal

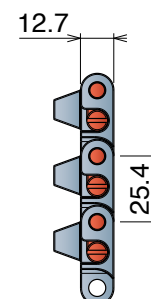
Max w. load: 41500 N/m
Weight: 13,5 kg/m²
Temp. range dry: -40÷80 °C
Temp. range wet: -40÷65 °C
Pin material: PBT white

552 FTT - SX Version



K450 / K750

Series	Material	Width	Version	Total width
5346	*	9450	C - L	160.3
5346	*	9750	C - L	237.4

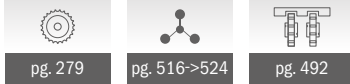


552 PT Open Surface 8% Tappeto Modulare 552 PT, H=12,7 M=3" Modular Belt Series 552 PT, H=12,7 M=3" / Modulare Mattenkette 552 PT, H=12,7 M=3"

CODE STRUCTURE GUIDE			
(Example)			
5342	01	0009	A
Series	*Material	Width	Version

Backflex radius min.: 25 mm

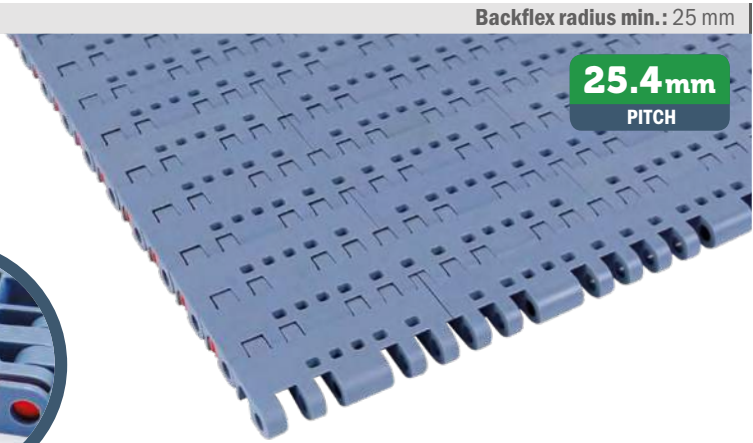
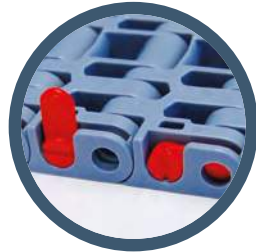
25.4mm
PITCH



pg. 279

pg. 516->524

pg. 492



Imperial Size

*Material

LFA - Code 01 Low friction Acetal

Max w. load: 41500 N/m
Weight: 13,2 kg/m²
Temp. range dry: -40÷80 °C
Temp. range wet: -40÷65 °C
Pin material: PBT white

MX - Code 03 Performance PBT

Max w. load: 33500 N/m
Weight: 12,7 kg/m²
Temp. range dry: -40÷120 °C
Temp. range wet: -40÷60 °C
Pin material: POM grey

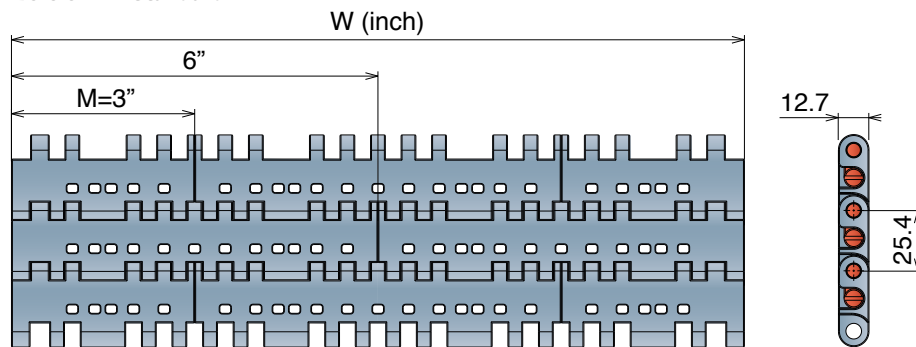
MWX - Code 17 Polyamide Composite

Max w. load: 41500 N/m
Weight: 13,7 kg/m²
Temp. range dry: -40÷104 °C
Temp. range wet: NR
Pin material: PBT white

MPX - Code 25 Lubricated Acetal

Max w. load: 41500 N/m
Weight: 13,2 kg/m²
Temp. range dry: -40÷80 °C
Temp. range wet: -40÷65 °C
Pin material: PBT white

Version A - Standard



Version A - Standard

Series	Material	Width	Version
5342	*	0009	A
5342	*	0012	A
5342	*	0015	A
5342	*	0018	A
5342	*	0021	A
5342	*	0024	A
5342	*	0027	A
5342	*	0030	A
5342	*	0033	A
5342	*	0036	A
5342	*	0039	A
5342	*	0042	A
5342	*	0045	A
5342	*	0048	A
5342	*	0051	A
5342	*	0054	A

552 PT One track Belt

Tappeti modulari / Modular belts / Mattenketten

Imperial Size

552 PT One track Belt Open Surface 8% Tappeto Modulare 552 PT, H=12,7 M=3" Modular Belt Series 552 PT, H=12,7 M=3" / Modulare Mattenkette 552 PT, H=12,7 M=3"

CODE STRUCTURE GUIDE

(Example)

5342	01	0003	A
Series	*Material	Width	Version

Backflex radius min.: 25 mm

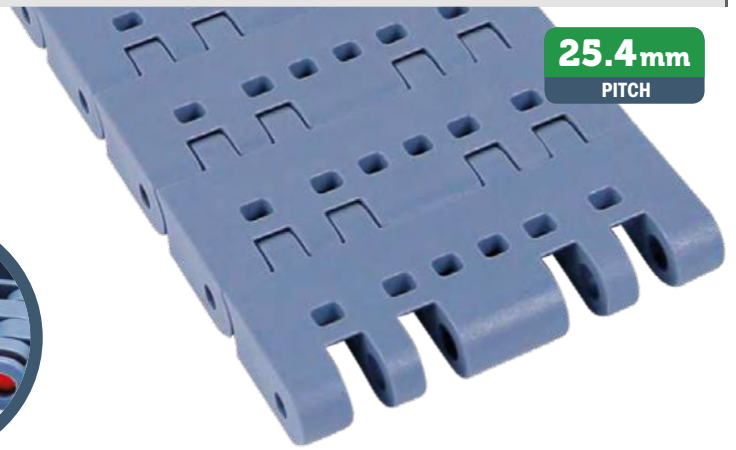
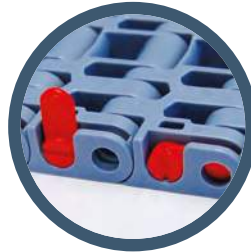
25.4 mm
PITCH



pg. 279



pg. 516->524



*Material

LFA - Code 01

Low friction Acetal

Max w. load: 41500 N/m
Weight: 13,2 kg/m²
Temp. range dry: -40+80 °C
Temp. range wet: -40+65 °C
Pin material: PBT white

MX - Code 03

Performance PBT

Max w. load: 33500 N/m
Weight: 12,7 kg/m²
Temp. range dry: -40+120 °C
Temp. range wet: -40+60 °C
Pin material: POM grey

MWX - Code 17

Polyamide Composite

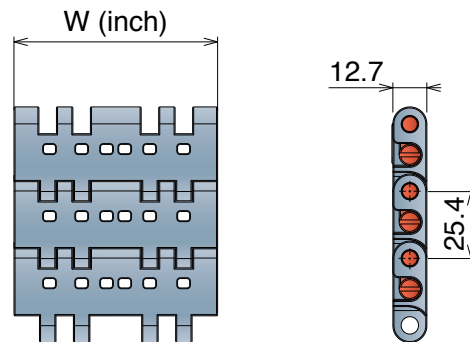
Max w. load: 41500 N/m
Weight: 13,7 kg/m²
Temp. range dry: -40+104 °C
Temp. range wet: NR
Pin material: PBT white

MPX - Code 25

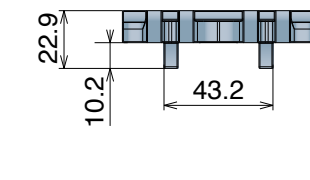
Lubricated Acetal

Max w. load: 41500 N/m
Weight: 13,2 kg/m²
Temp. range dry: -40+80 °C
Temp. range wet: -40+65 °C
Pin material: PBT white

Version A - Standard



Version C - With 2 Positioner



Version A - Standard

Series	Material	Width	Version
5342	*	0003	A
5342	*	0006	A

Version C - With 2 Positioners

Series	Material	Width	Version
5342	*	0003	C
5342	*	0006	C

Tappeti modulari / Modular belts / Mattenketten

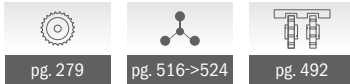
552 GT

Tappeto Modulare 552 GT, H=12,7 M=3"
 Modular Belt Series 552 GT, H=12,7 M=3" / Modulare Mattenkette 552 GT, H=12,7 M=3"

CODE STRUCTURE GUIDE			
(Example)			
5343	01	0009	A-S
Series	*Material	Width	Version

Backflex radius min.: 25 mm

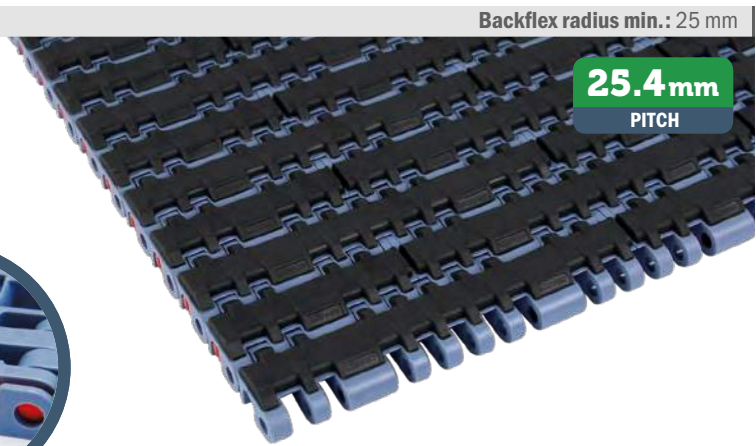
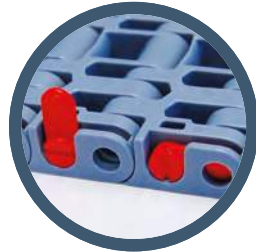
25.4mm
PITCH



pg. 279

pg. 516->524

pg. 492



Imperial Size

*Material

LFA - Code 01

Low friction Acetal

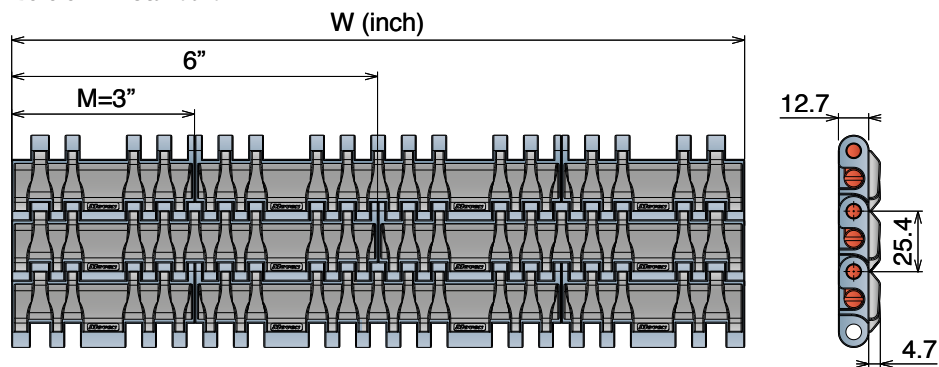
Max w. load: 41500 N/m
 Weight: 15,5 kg/m²
 Temp. range dry: -40÷80 °C
 Temp. range wet: -40÷65 °C
 Pin material: PBT white
 Hardness of
 Grip top Rubber: 50 ShA

PP - Code 02

Polypropylene

Max w. load: 27000 N/m
 Weight: 13,5 kg/m²
 Temp. range dry: 4÷80 °C
 Temp. range wet: 4÷65 °C
 Pin material: PP blu
 Hardness of
 Grip top Rubber: 50 ShA

Version A - Standard



Version A - Standard

Series	Material	Width	Version
5343	*	0009	A
5343	*	0012	A
5343	*	0015	A
5343	*	0018	A
5343	*	0021	A
5343	*	0024	A
5343	*	0027	A
5343	*	0030	A
5343	*	0033	A
5343	*	0036	A
5343	*	0039	A
5343	*	0042	A
5343	*	0045	A
5343	*	0048	A
5343	*	0051	A
5343	*	0054	A



Rubber Thickness 4.7 mm

552 GT Side indent

Tappeti modulari / Modular belts / Mattenketten




Imperial Size

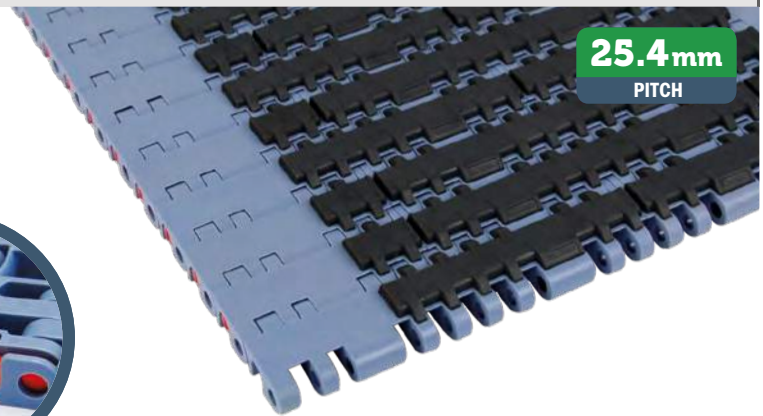
552 GT Side indent Tappeto Modulare 552 GT SI, H=12,7 M=3" / Modular Belt Series 552 GT SI, H=12,7 M=3" / Modulare Mattenkette 552 GT SI, H=12,7 M=3"

CODE STRUCTURE GUIDE			
(Example)			
5345	01	0009	A-S
Series	*Material	Width	Version

Backflex radius min.: 25 mm

25.4 mm
PITCH

 pg. 279	 pg. 516->524	 pg. 492
---	--	---



***Material**

LFA - Code 01
Low friction Acetal

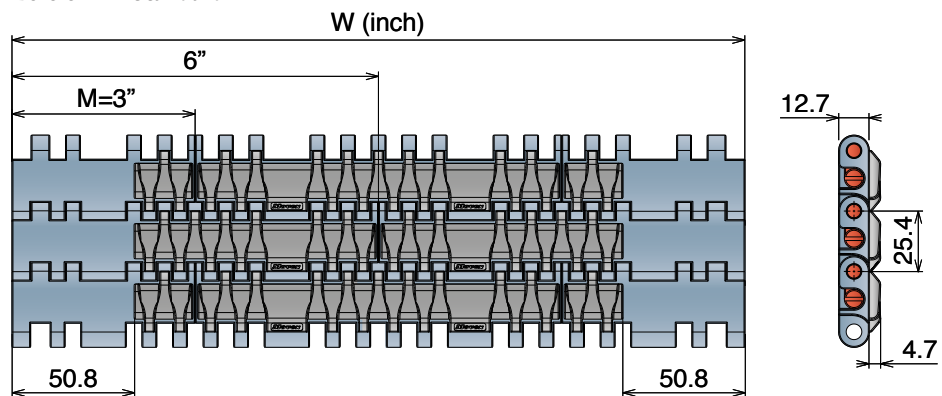
Max w. load: 41500 N/m
Weight: 15,5 kg/m²
Temp. range dry: -40+80 °C
Temp. range wet: -40+65 °C
Pin material: PBT white
Hardness of
Grip top Rubber: 50 ShA

PP - Code 02
Polypropylene

Max w. load: 27000 N/m
Weight: 13,5 kg/m²
Temp. range dry: 4+80 °C
Temp. range wet: 4+65 °C
Pin material: PP blu
Hardness of
Grip top Rubber: 50 ShA

Available also with
75 ShA Rubber

Version A - Standard



Version A - Standard

Series	Material	Width	Version
5345	*	0009	A
5345	*	0012	A
5345	*	0015	A
5345	*	0018	A
5345	*	0021	A
5345	*	0024	A
5345	*	0027	A
5345	*	0030	A
5345	*	0033	A
5345	*	0036	A
5345	*	0039	A
5345	*	0042	A
5345	*	0045	A
5345	*	0048	A
5345	*	0051	A
5345	*	0054	A



Rubber Thickness 4.7 mm

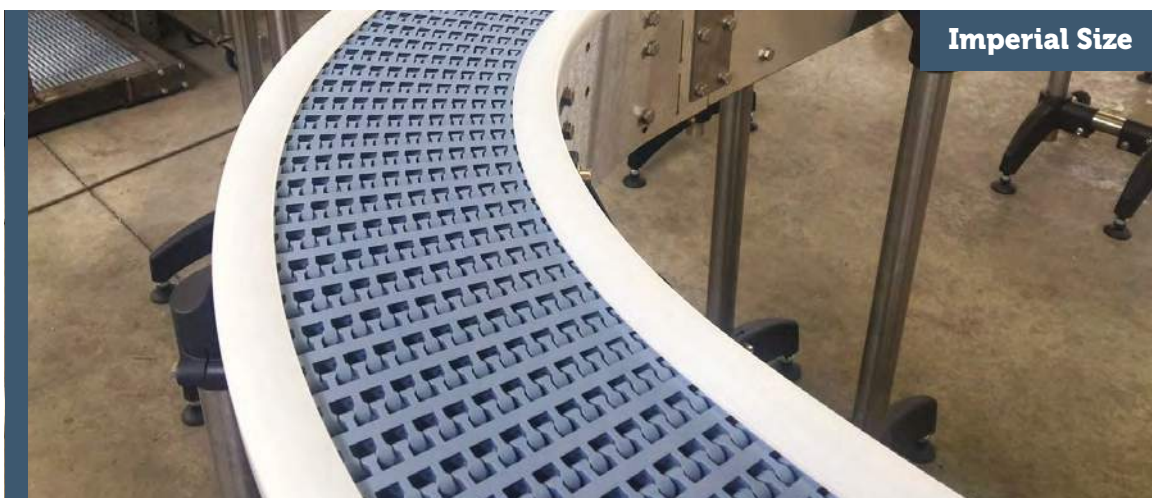
Tappeti modulari / Modular belts / Mattenketten

556 Series

556

Pitch 25,4 mm

H= 12,7 mm



556 FT

556 GT

Movex[®]

556 FT

Tappeti modulari / Modular belts / Mattenketten

Imperial Size

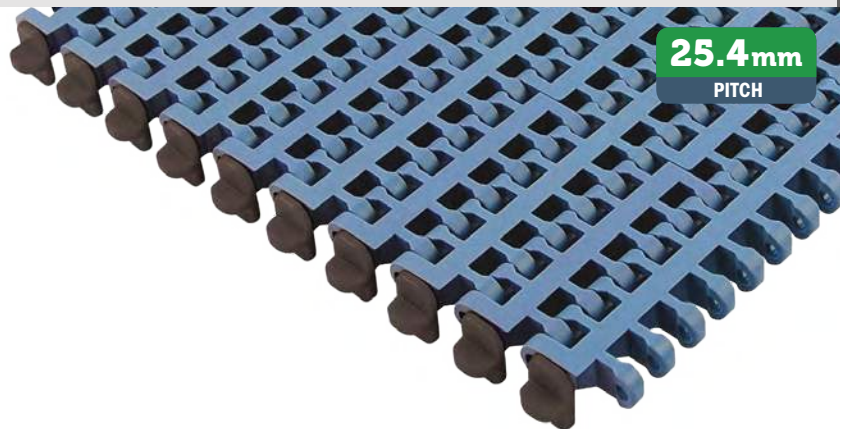
556 FT

Tappeto Modulare Curvilineo Serie 556, H=12,7 M=3"

Side Flex Modular Belt Series 556, H=12,7 M=3" / Kurvengängige Mattenkette Serie 556, H=12,7 M=3"

CODE STRUCTURE GUIDE			
(Example)			
5431	01	0006	C
Series	*Material	Width	Version

Backflex radius min.: 25 mm



pg. 280	pg. 516->524	pg. 494

*Material

LFA - Code 01

Low friction Acetal

Max w. load:

Straight: 30000 N/m

Curve: 2000 N

Weight: 7,5 kg/m²

Temp. range dry: -40+80 °C

Temp. range wet: -40+65 °C

Pin material: PBT white

LFB - Code 23

Low friction Acetal

Max w. load:

Straight: 30000 N/m

Curve: 2000 N

Weight: 7,5 kg/m²

Temp. range dry: -40+80 °C

Temp. range wet: -40+65 °C

Pin material: PBT white

PPB - Code 24

Polypropylene

Max w. load:

Straight: 19500 N/m

Curve: 1300 N

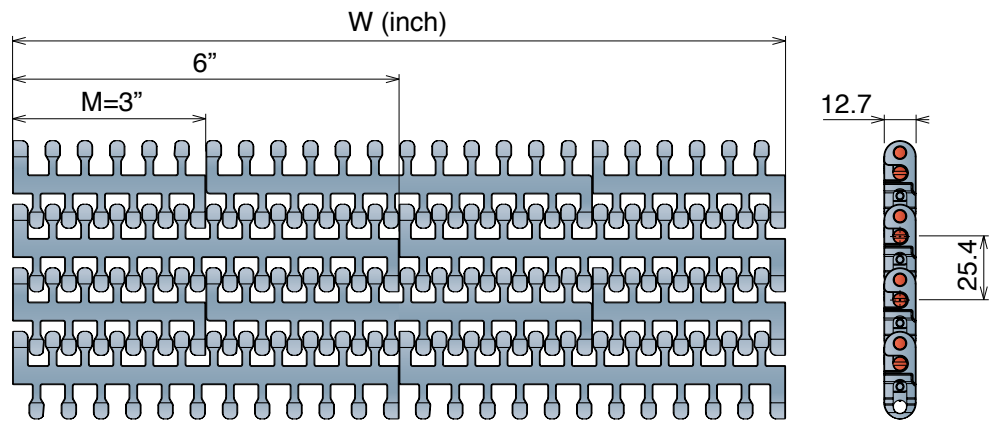
Weight: 5,8 kg/m²

Temp. range dry: 4+65 °C

Temp. range wet: 4+65 °C

Pin material: PP blu

THE BEST CHOICE FOR FOOD CONTACT APPLICATION



STANDARD

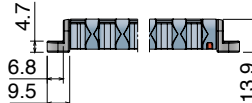


Series	Material	Width	Version	min radius
5431	*	0009	A	435
5431	*	0012	A	580
5431	*	0015	A	725
5431	*	0018	A	890
5431	*	0021	A	1040
5431	*	0024	A	1250

ONE TRACK BELT

Series	Material	Width	Version	min radius
5431	*	0003	A	145
5431	*	0006	A	290

TAB



Series	Material	Width	Version	min radius
5431	*	0009	B	435
5431	*	0012	B	580
5431	*	0015	B	725
5431	*	0018	B	890
5431	*	0021	B	1040
5431	*	0024	B	1250

ONE TRACK BELT

Series	Material	Width	Version	min radius
5431	*	0003	B	145
5431	*	0006	B	290

TAB/POSITIONER



Series	Material	Width	Version	min radius
5431	*	0009	C	435
5431	*	0012	C	580
5431	*	0015	C	725
5431	*	0018	C	890
5431	*	0021	C	1040
5431	*	0024	C	1250

ONE TRACK BELT

Series	Material	Width	Version	min radius
5431	*	0003	C	145
5431	*	0006	C	290

Tappeti modulari / Modular belts / Mattenketten

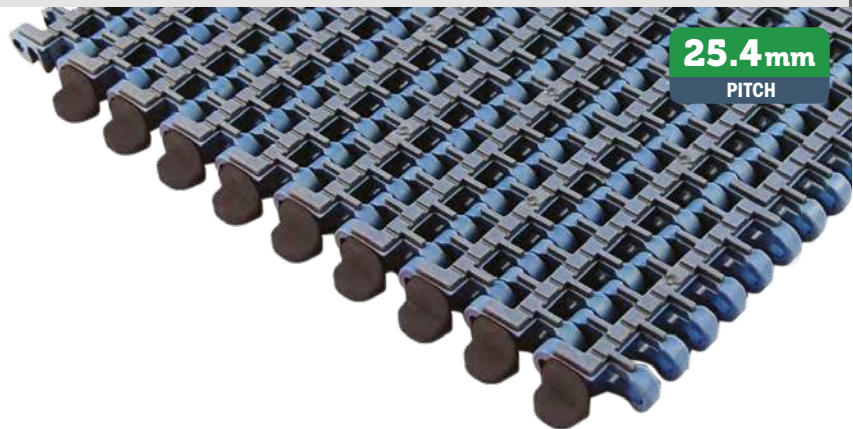
556 GT

Tappeto Modulare Curvilineo Serie 556 GT, H=12,7 M=3"

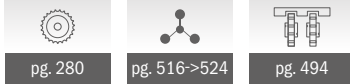
Side Flex Modular Belt Series 556 GT, H=12,7 M=3" / Kurvengängige Mattenkette Serie 556 GT, H=12,7 M=3"

CODE STRUCTURE GUIDE			
(Example)			
5433	01	0018	B-S
Series	*Material	Width	Version

Backflex radius min.: 25 mm



25.4 mm
PITCH



pg. 280

pg. 516->524

pg. 494

Imperial Size

*Material

LFA - Code 01

Low friction Acetal

Max w. load:

Straight: 30000 N/m
Curve: 2000 N

Weight: 7,7 kg/m²

Temp. range dry: -40÷80 °C

Temp. range wet: -40÷65 °C

Pin material: PBT white

Hardness of

Grip top Rubber: 50 ShA

LFB - Code 23

Low friction Acetal

Max w. load:

Straight: 30000 N/m
Curve: 2000 N

Weight: 7,7 kg/m²

Temp. range dry: -40÷80 °C

Temp. range wet: -40÷65 °C

Pin material: PBT white

Hardness of

Grip top Rubber: 50 ShA

PPB - Code 24

Polypropylene

Standard rubber: 50 ShA

Code: -S

Max w. load:

Straight: 19500 N/m
Curve: 1300 N

Weight: 5,8 kg/m²

Temp. range dry: 4÷65 °C

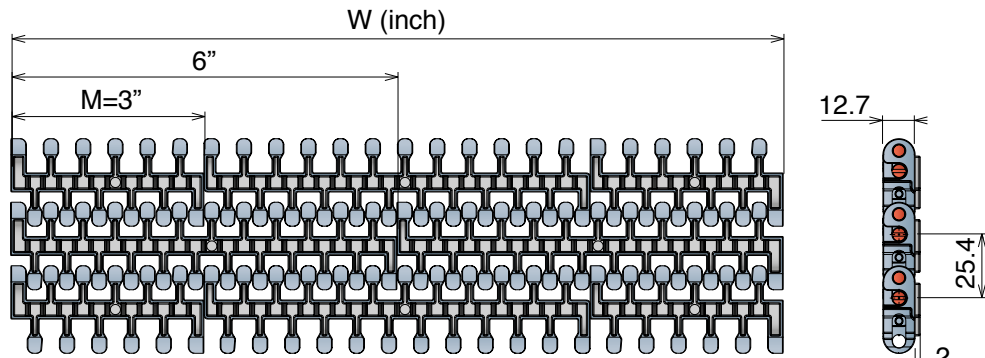
Temp. range wet: 4÷65 °C

Pin material: PP blu

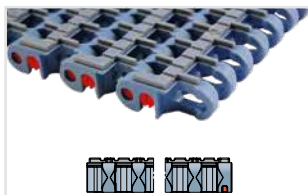
Hardness of

Grip top Rubber: 50 ShA

**THE BEST CHOICE FOR
FOOD CONTACT APPLICATION**



STANDARD

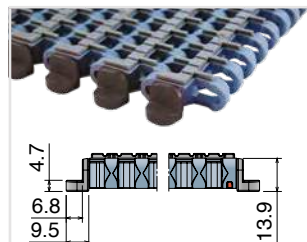


Series	Material	Width	Version	min radius
5433	*	0009	A	435
5433	*	0012	A	580
5433	*	0015	A	725
5433	*	0018	A	890
5433	*	0021	A	1040
5433	*	0024	A	1250

ONE TRACK BELT

Series	Material	Width	Version	min radius
5433	*	0003	A	145
5433	*	0006	A	290

TAB

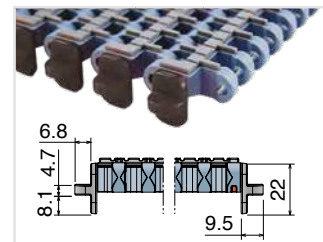


Series	Material	Width	Version	min radius
5433	*	0009	B	435
5433	*	0012	B	580
5433	*	0015	B	725
5433	*	0018	B	890
5433	*	0021	B	1040
5433	*	0024	B	1250

ONE TRACK BELT

Series	Material	Width	Version	min radius
5433	*	0003	B	145
5433	*	0006	B	290

TAB/POSITIONER



Series	Material	Width	Version	min radius
5433	*	0009	C	435
5433	*	0012	C	580
5433	*	0015	C	725
5433	*	0018	C	890
5433	*	0021	C	1040
5433	*	0024	C	1250

ONE TRACK BELT

Series	Material	Width	Version	min radius
5433	*	0003	C	145
5433	*	0006	C	290

600

Pitch 31,75 mm
H= 12,7 mm



- 600 *Standard*
- 600 *Heavy duty*
- 600 *Heavy duty with Bearings*
- 600 *Small radius*
- 600 *Heavy duty/Small radius*

- 600 *Heavy duty/Small radius with Bearings*
- 600 *with pusher*
- 1047 *Heavy duty guide*

600 Standard

Tappeto Modulare Curvilineo Serie 600, H=12,7 M=85

Side Flex Modular Belt Series 600, H=12,7 M=85 / Kurvengängige Mattenkette Serie 600, H=12,7 M=85




CODE STRUCTURE GUIDE

(Example)

5421	01	0595	A
Series	*Material	Width	Version

Backflex radius min.: 25 mm

31.75mm
PITCH

		
pg. 283	pg. 516->524	pg. 495

Improved Design and Performance



Metric Size

*Material

LFA - Code 01

Low friction Acetal

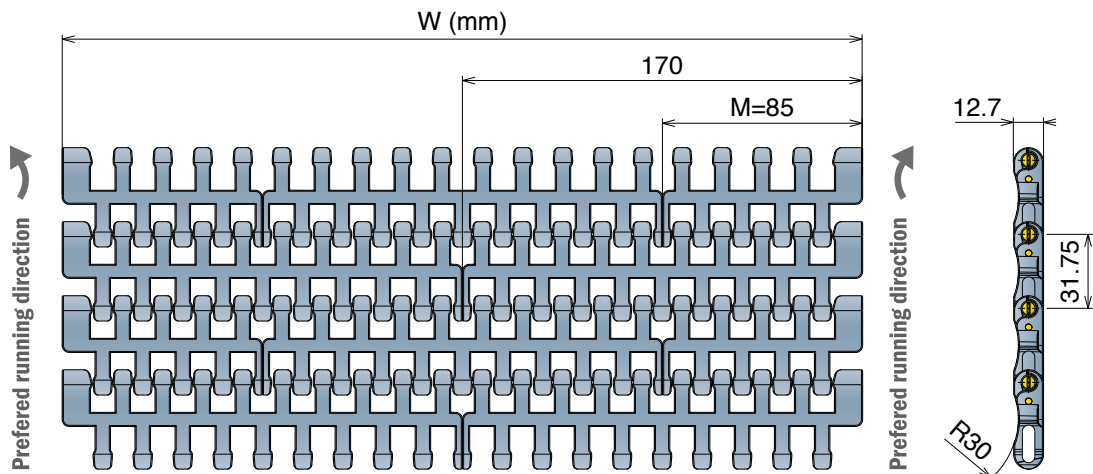
Max w. load:
Straight 30000 N/m
Curve 2500 N
Weight: 7.7 kg/m²
Temp. range dry: -40÷80 °C
Temp. range wet: -40÷65 °C
Pin material: PBT white

LFB - Code 23

Low friction Acetal

Max w. load:
Straight 30000 N/m
Curve 2500 N
Weight: 7.7 kg/m²
Temp. range dry: -40÷80 °C
Temp. range wet: -40÷65 °C
Pin material: PBT white

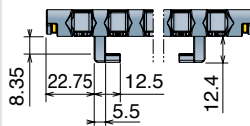
Internal Min Radius
2 times the width



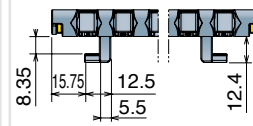
STANDARD



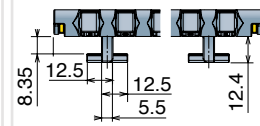
TAB



REVERSE TAB



TAB REVERSE TAB



Series	Material	Width	Version	min radius
5421	*	0255	A	510
5421	*	0340	A	680
5421	*	0425	A	850
5421	*	0510	A	1020
5421	*	0595	A	1190
5421	*	0680	A	1360
5421	*	0765	A	1530
5421	*	0850	A	1700
5421	*	0255	B	510
5421	*	0340	B	680
5421	*	0425	B	850
5421	*	0510	B	1020
5421	*	0595	B	1190
5421	*	0680	B	1360
5421	*	0765	B	1530
5421	*	0850	B	1700
5421	*	0255	C	510
5421	*	0340	C	680
5421	*	0425	C	850
5421	*	0510	C	1020
5421	*	0595	C	1190
5421	*	0680	C	1360
5421	*	0765	C	1530
5421	*	0850	C	1700
5421	*	0255	D	510
5421	*	0340	D	680
5421	*	0425	D	850
5421	*	0510	D	1020
5421	*	0595	D	1190
5421	*	0680	D	1360
5421	*	0765	D	1530
5421	*	0850	D	1700

600 Heavy duty

Tappeti modulari / Modular belts / Mattenketten

Metric Size

600 Heavy duty

Tappeto Modulare Curvilineo Serie 600, H=12,7 M=85
Side Flex Modular Belt Series 600, H=12,7 M=85 / Kurvengängige Mattenkette Serie 600, H=12,7 M=85

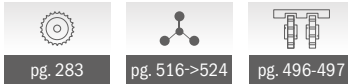
CODE STRUCTURE GUIDE

(Example)

5422	01	0340	E
Series	*Material	Width	Version

Backflex radius min.: 25 mm

31.75 mm
PITCH

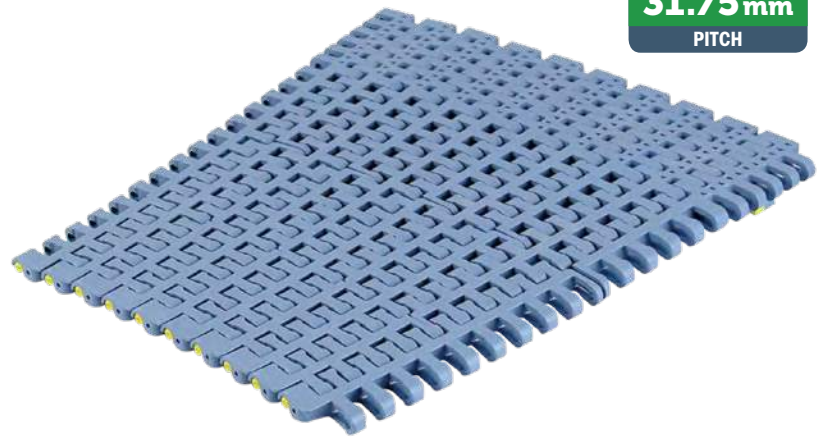


pg. 283

pg. 516->524

pg. 496-497

Improved Design and Performance



*Material

LFA - Code 01

Low friction Acetal

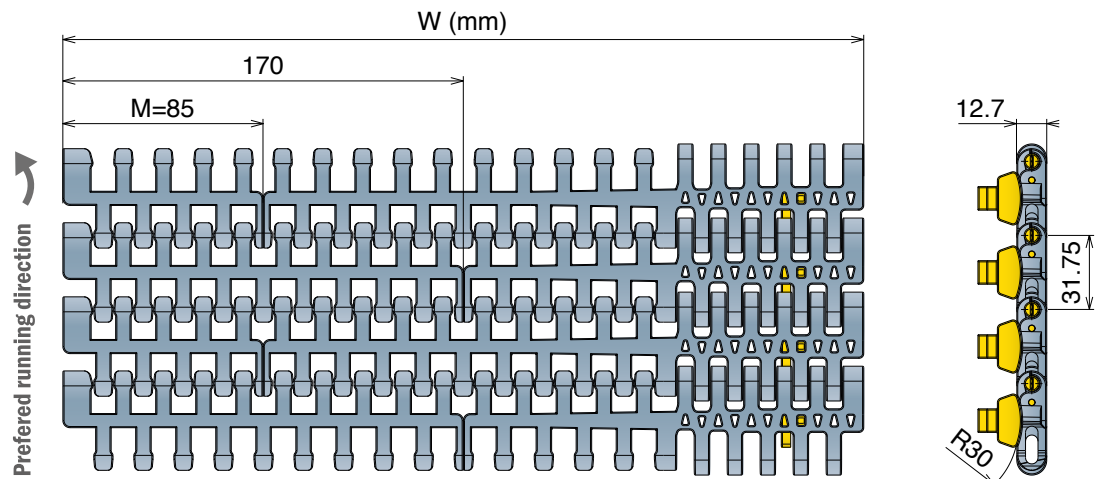
Max w. load:
Straight 30000 N/m
Curve 3500 N
Weight: 8,3 kg/m²
Temp. range dry: -40+80 °C
Temp. range wet: -40+65 °C
Pin material: PBT white

LFB - Code 23

Low friction Acetal

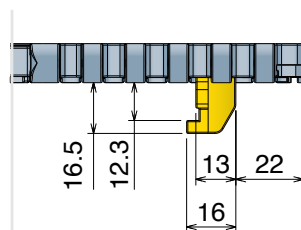
Max w. load:
Straight 30000 N/m
Curve 3500 N
Weight: 8,3 kg/m²
Temp. range dry: -40+80 °C
Temp. range wet: -40+65 °C
Pin material: PBT white

Internal Min Radius
2 times the width



Preferred running direction

STANDARD



Series	Material	Width	Version	min radius
5422	*	0340	E	680
5422	*	0425	E	850
5422	*	0510	E	1020
5422	*	0595	E	1190
5422	*	0680	E	1360
5422	*	0765	E	1530
5422	*	0850	E	1700

TAB DKM Material



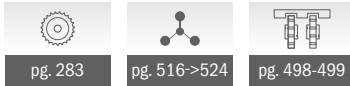
600 Heavy duty with Bearings

Tappeto Modulare Curvilineo Serie 600, H=12,7 M=85
Side Flex Modular Belt Series 600, H=12,7 M=85 / Kurvengängige Mattenkette Serie 600, H=12,7 M=85

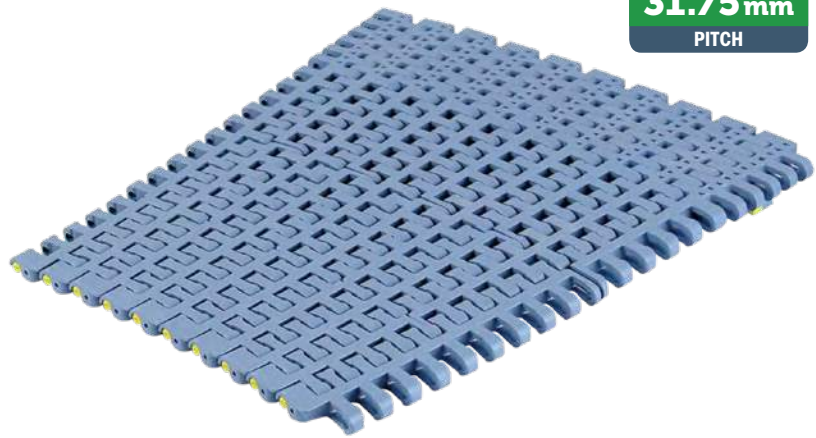
CODE STRUCTURE GUIDE			
(Example)			
5422	01	0340	F
Series	*Material	Width	Version

Backflex radius min.: 25 mm

31.75 mm
PITCH



Improved Design and Performance



Metric Size

*Material

LFA - Code 01

Low friction Acetal

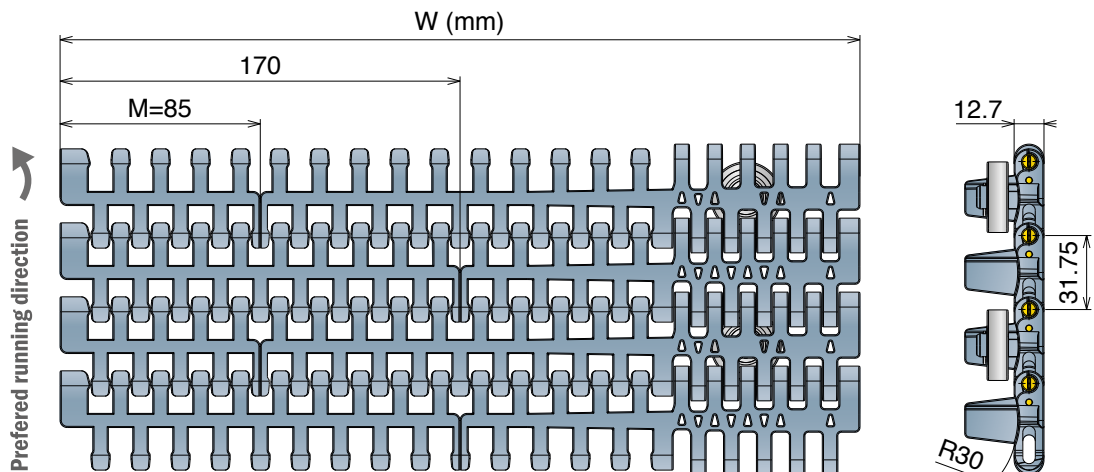
Max w. load:
Straight 30000 N/m
Curve 3500 N
Weight: 9,0 kg/m²
Temp. range dry: -40÷80 °C
Temp. range wet: -40÷65 °C
Pin material: PBT white

LFB - Code 23

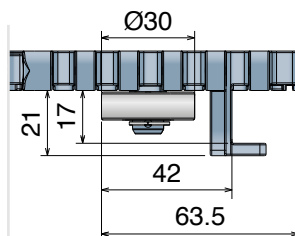
Low friction Acetal

Max w. load:
Straight 30000 N/m
Curve 3500 N
Weight: 9,0 kg/m²
Temp. range dry: -40÷80 °C
Temp. range wet: -40÷65 °C
Pin material: PBT white

Internal Min Radius
2 times the width



STANDARD



Series	Material	Width	Version	min radius
5422	*	0340	F	680
5422	*	0425	F	850
5422	*	0510	F	1020
5422	*	0595	F	1190
5422	*	0680	F	1360
5422	*	0765	F	1530
5422	*	0850	F	1700

Bearing Zoom



600 Small radius

Tappeti modulari / Modular belts / Mattenketten

Metric Size

600 Small radius

Tappeto Modulare Curvilineo Serie 600, H=12,7 M=85
Side Flex Modular Belt Series 600, H=12,7 M=85 / Kurvengängige Mattenkette Serie 600, H=12,7 M=85

CODE STRUCTURE GUIDE

(Example)

5423	01	0340	A
Series	*Material	Width	Version

Backflex radius min.: 25 mm

31.75 mm
PITCH



pg. 283-284

pg. 516->524

pg. 500-501

Improved Design and Performance



*Material

LFA - Code 01

Low friction Acetal

Max w. load:

Straight 30000 N/m

Curve 2500 N

Weight: 7,0 kg/m²

Temp. range dry: -40+80 °C

Temp. range wet: -40+65 °C

Pin material: PBT white

LFB - Code 23

Low friction Acetal

Max w. load:

Straight 30000 N/m

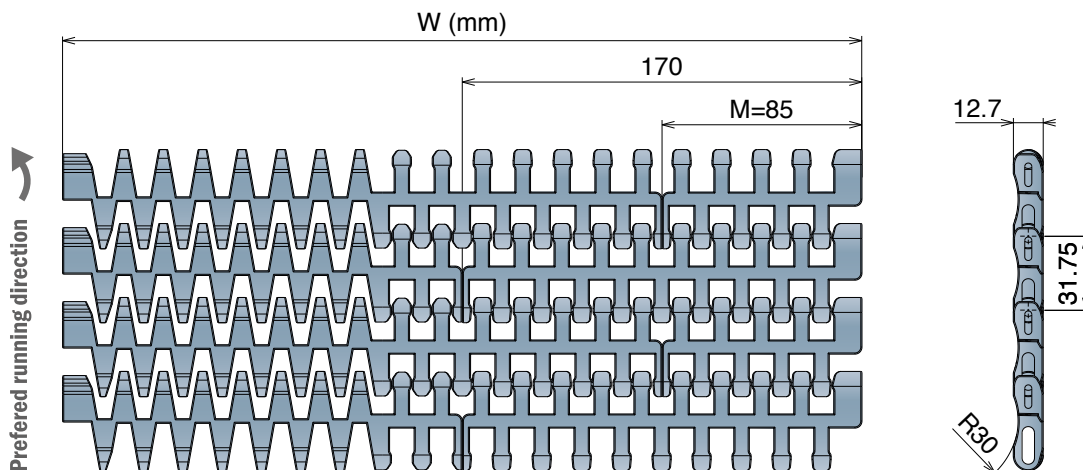
Curve 2500 N

Weight: 7,0 kg/m²

Temp. range dry: -40+80 °C

Temp. range wet: -40+65 °C

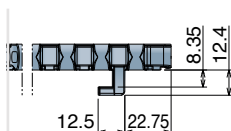
Pin material: PBT white



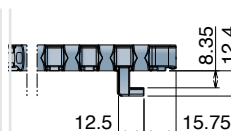
STANDARD



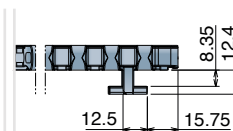
TAB



REVERSE TAB



TAB REVERSE TAB



Series	Material	Width	Version	min radius
5423	* 0340	A	400	
5423	* 0425	A	500	
5423	* 0510	A	600	
5423	* 0595	A	720	
5423	* 0680	A	880	
5423	* 0765	A	1040	
5423	* 0850	A	1200	
Series	Material	Width	Version	min radius
5423	* 0340	B	400	
5423	* 0425	B	500	
5423	* 0510	B	600	
5423	* 0595	B	720	
5423	* 0680	B	880	
5423	* 0765	B	1040	
5423	* 0850	B	1200	
Series	Material	Width	Version	min radius
5423	* 0340	C	400	
5423	* 0425	C	500	
5423	* 0510	C	600	
5423	* 0595	C	720	
5423	* 0680	C	880	
5423	* 0765	C	1040	
5423	* 0850	C	1200	
Series	Material	Width	Version	min radius
5423	* 0340	D	400	
5423	* 0425	D	500	
5423	* 0510	D	600	
5423	* 0595	D	720	
5423	* 0680	D	880	
5423	* 0765	D	1040	
5423	* 0850	D	1200	

600 Heavy duty/Small radius

Tappeti modulari / Modular belts / Mattenketten

600 Heavy duty/Small radius

Tappeto Modulare Curvilineo Serie 600, H=12,7 M=170
Side Flex Modular Belt Series 600, H=12,7 M=170 / Kurvengängige Mattenkette Serie 600, H=12,7 M=170

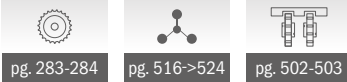
CODE STRUCTURE GUIDE

(Example)

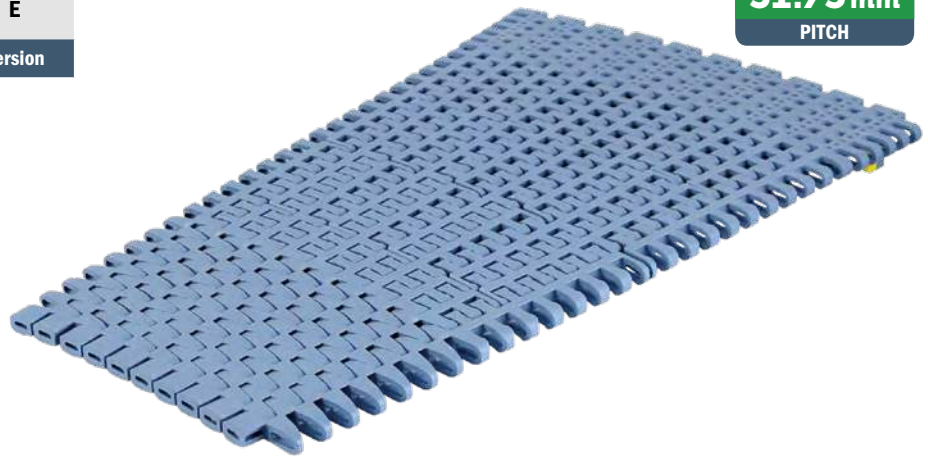
5424	01	0425	E
Series	*Material	Width	Version

Backflex radius min.: 25 mm

31.75 mm
PITCH



Improved Design and Performance



Metric Size

*Material

LFA - Code 01

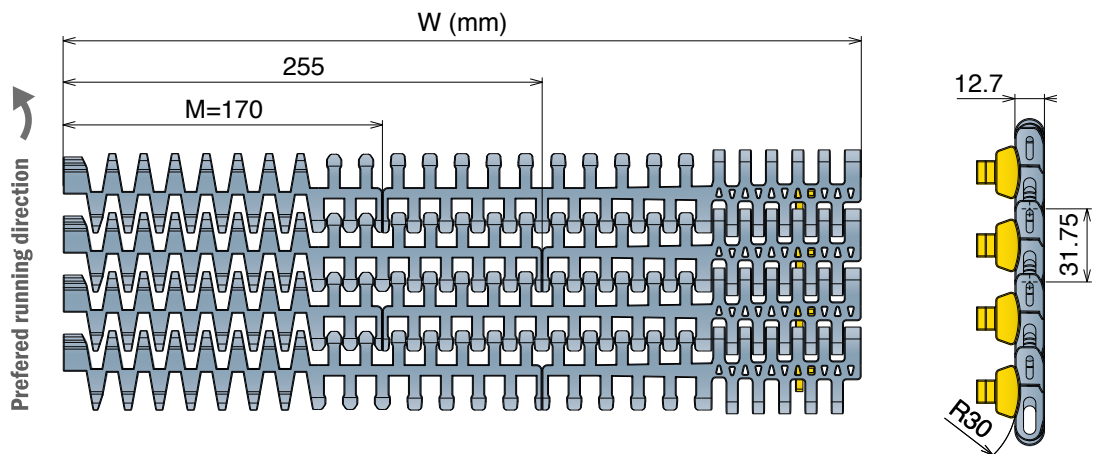
Low friction Acetal

Max w. load:
Straight 30000 N/m
Curve 3500 N
Weight: 7,5 kg/m²
Temp. range dry: -40÷80 °C
Temp. range wet: -40÷65 °C
Pin material: PBT white

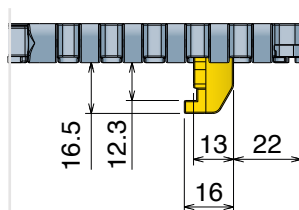
LFB - Code 23

Low friction Acetal

Max w. load:
Straight 30000 N/m
Curve 3500 N
Weight: 7,5 kg/m²
Temp. range dry: -40÷80 °C
Temp. range wet: -40÷65 °C
Pin material: PBT white



STANDARD



Series	Material	Width	Version	min radius
5424	*	0425	E	500
5424	*	0510	E	600
5424	*	0595	E	720
5424	*	0680	E	880
5424	*	0765	E	1040
5424	*	0850	E	1200

TAB DKM Material



600 Heavy duty/Small radius with Bearings

Tappeti modulari / Modular belts / Mattenketten

Metric Size

600 Heavy duty/Small radius with Bearings

Tappeto Curvilineo Serie 600, H=12,7 M=170
Side Flex Modular Belt Series 600, H=12,7 M=170 / Kurvengängige Mattenkette Serie 600, H=12,7 M=170

CODE STRUCTURE GUIDE

(Example)

5424	01	0425	F
Series	*Material	Width	Version

Backflex radius min.: 25 mm

31.75 mm
PITCH

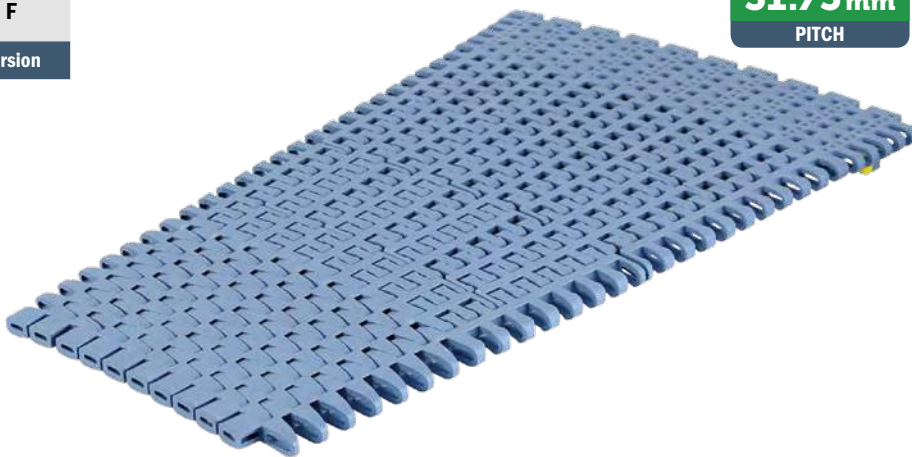


pg. 283-284

pg. 516->524

pg. 504-505

Improved Design and Performance



*Material

LFA - Code 01

Low friction Acetal

Max w. load:

Straight 30000 N/m
Curve 3500 N

Weight: 8,5 kg/m²

Temp. range dry: -40+80 °C

Temp. range wet: -40+65 °C

Pin material: PBT white

LFB - Code 23

Low friction Acetal

Max w. load:

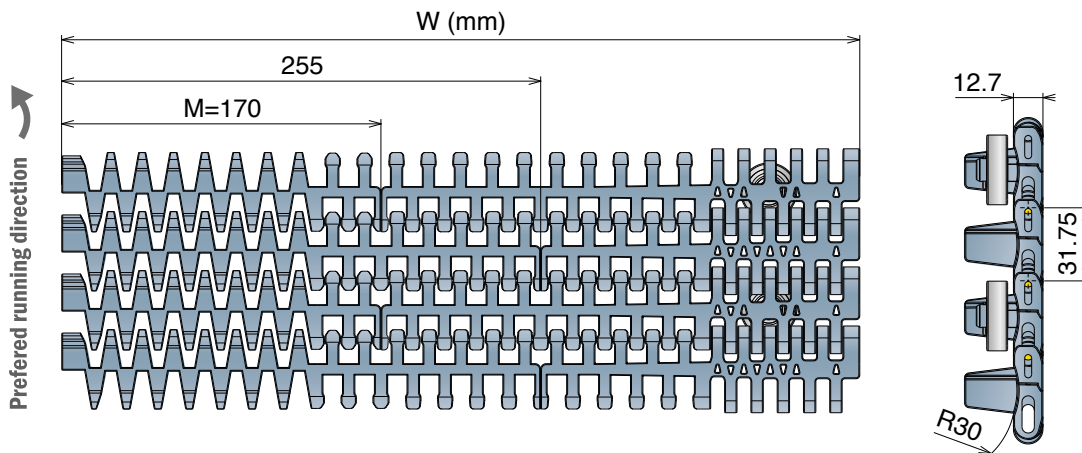
Straight 30000 N/m
Curve 3500 N

Weight: 8,5 kg/m²

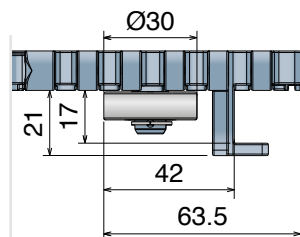
Temp. range dry: -40+80 °C

Temp. range wet: -40+65 °C

Pin material: PBT white



STANDARD



Series	Material	Width	Version	min radius
5424	*	0425	F	500
5424	*	0510	F	600
5424	*	0595	F	720
5424	*	0680	F	880
5424	*	0765	F	1040
5424	*	0850	F	1200

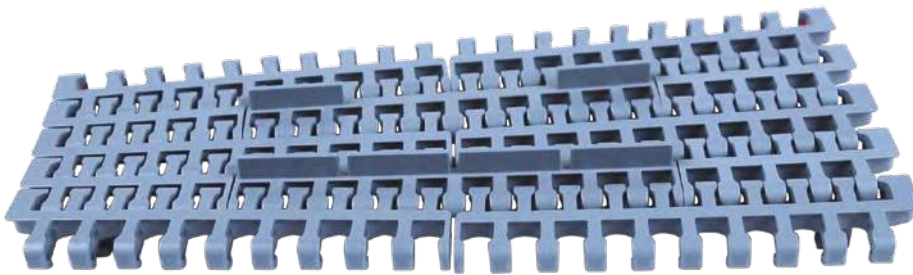
Bearing Zoom



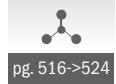
600 with pusher - 1047 Heavy duty guide

Tappeti modulari / Modular belts / Mattenketten

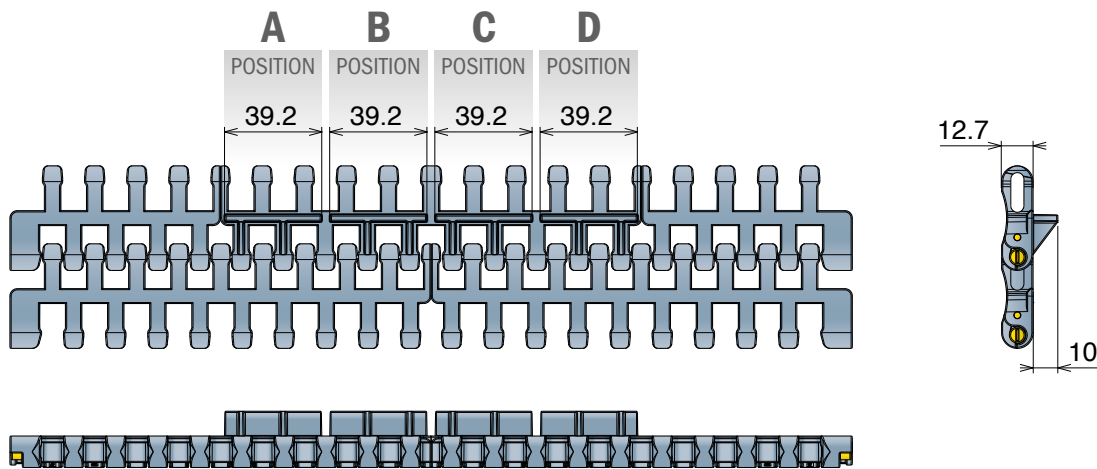
600 with pusher Tappeto Modulare Curvilineo Serie 600, H=12,7 M=85
Side Flex Modular Belt Series 600, H=12,7 M=85 / Kurvengängige Mattenkette Serie 600, H=12,7 M=85



31.75 mm
PITCH



Metric Size

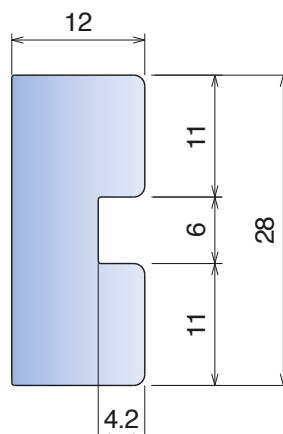


The pusher is applicable only for the center module, and there are available up to a maximum of 4 positions (**A-B-C-D**) or with different types of combinations (example **A-B-D** / **A-C** / **B-C-D**).

Consult our engineering department for details.

1047 Guida tappeto
Belt side guide / Seitenführung für Mattenkette

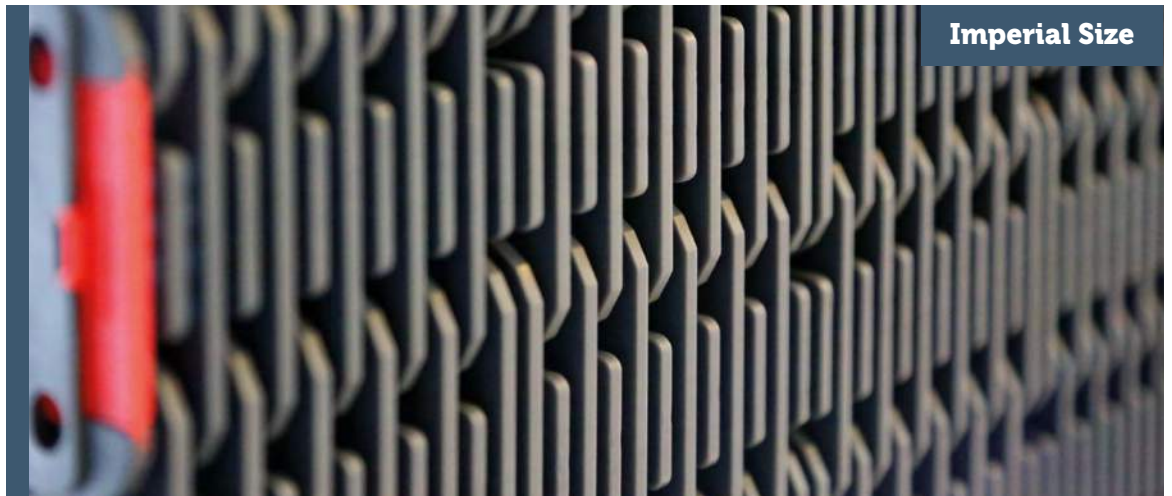
Part	Article-Nr.	Material	Width
1047	104700BC	BluLub	3 m



Material: Polyethylene UHMW-PE with molecular density 9,200,000 g/mo.
BluLub, new material with reduced coefficient of friction and higher wear resistance. BluLub complies with the code of Federal Regulations of FDA.
Linear expansion coefficient: $1.1 \times 10^{-4} \text{ } ^\circ\text{F}^{-1}$ ($2 \times 10^{-4} \text{ } ^\circ\text{C}^{-1}$)
Operating temperature: -40 to 176 °F (-40 to +80 °C)

500

Pitch 50,8 mm
H= 24 mm



Imperial Size

500 RR
389 *Combs*

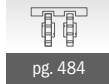
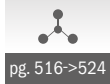
500 RR

Tappeto Modulare 500 RR
Raised Rib Belt Series 500 RR / Modulare Mattenkette 500 RR

CODE STRUCTURE GUIDE

(Example)

1348	11	0090
Series	*Material	Width



50.8mm
PITCH

Imperial Size

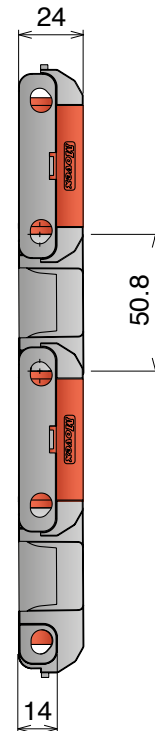
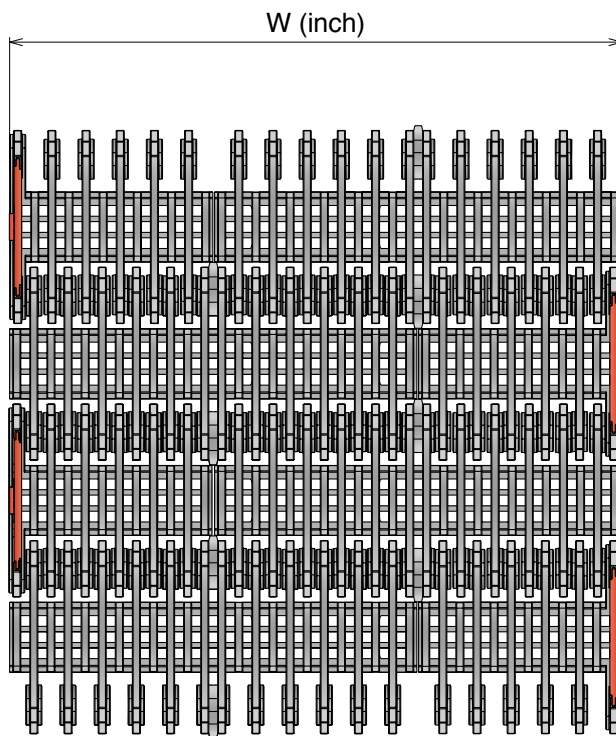
*Material

PP - Code 02
Polypropylene

PPX - Code 11
Polypropylene

Max w. load: 30000 N/m	Max w. load: 30000 N/m
Weight: 10,65 kg/m ²	Weight: 10,65 kg/m ²
Temp. range: 4+104 °C	Temp. range: 4+104 °C

Pin material: PP grey **Pin material:** PP grey

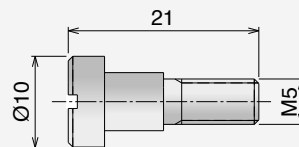


Series	Material	Width	Series	Material	Width
1348	*	0060	1348	*	0093
1348	*	0063	1348	*	0096
1348	*	0066	1348	*	0099
1348	*	0069	1348	*	0102
1348	*	0072	1348	*	0105
1348	*	0075	1348	*	0108
1348	*	0078	1348	*	0111
1348	*	0081	1348	*	0114
1348	*	0084	1348	*	0117
1348	*	0087	1348	*	0120
1348	*	0090			

389

Pettine
Combs / Fingerplatte

Screw info

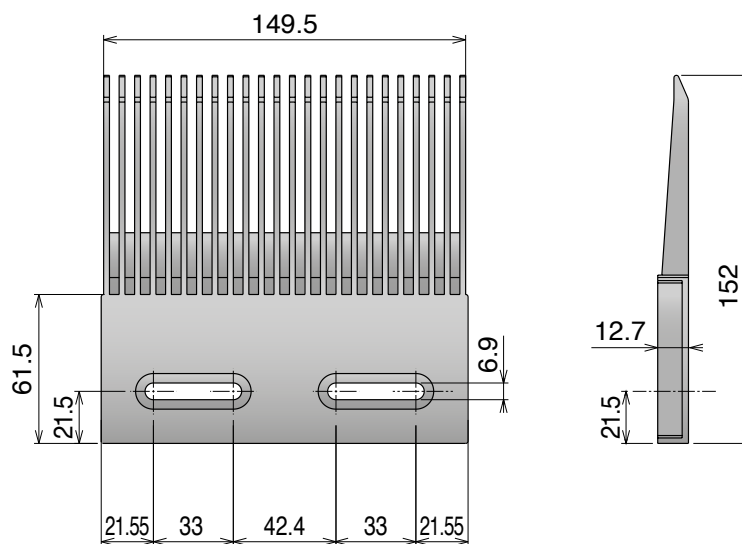


X 2 Included



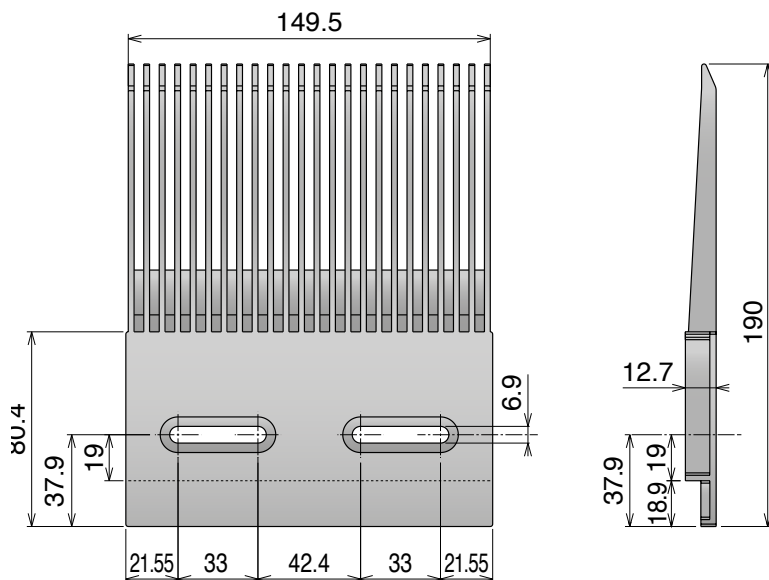
Type A

Part	Article-Nr.
389	38901



Type B

Part	Article-Nr.
389	38902



ZERO CONTACT

ZERO⁵²⁰ CONTACT

H= 10,1 mm



ZERO CONTACT
ZERO CONTACT PRO
ZERO CONTACT CURVE

Movex[®]

ZERO CONTACT

Tappeto Modulare Curvilineo Zero Contact™, H=10,1 M=200

Side Flex Modular Belt Zero Contact™, H=10,1 M=200 / Kurvengängige Mattenkette Zero Contact™, H=10,1 M=200

Delivery: **Easy** **Standard**



pg. 285



pg. 516->524



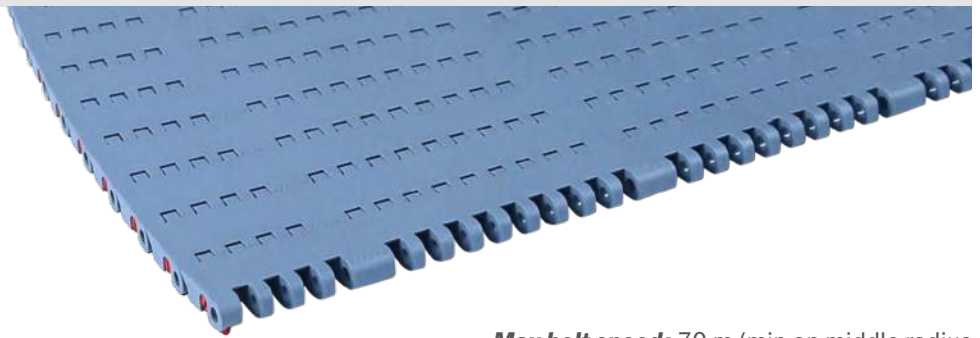
pg. 507

*Material

LFA

Low friction Acetal

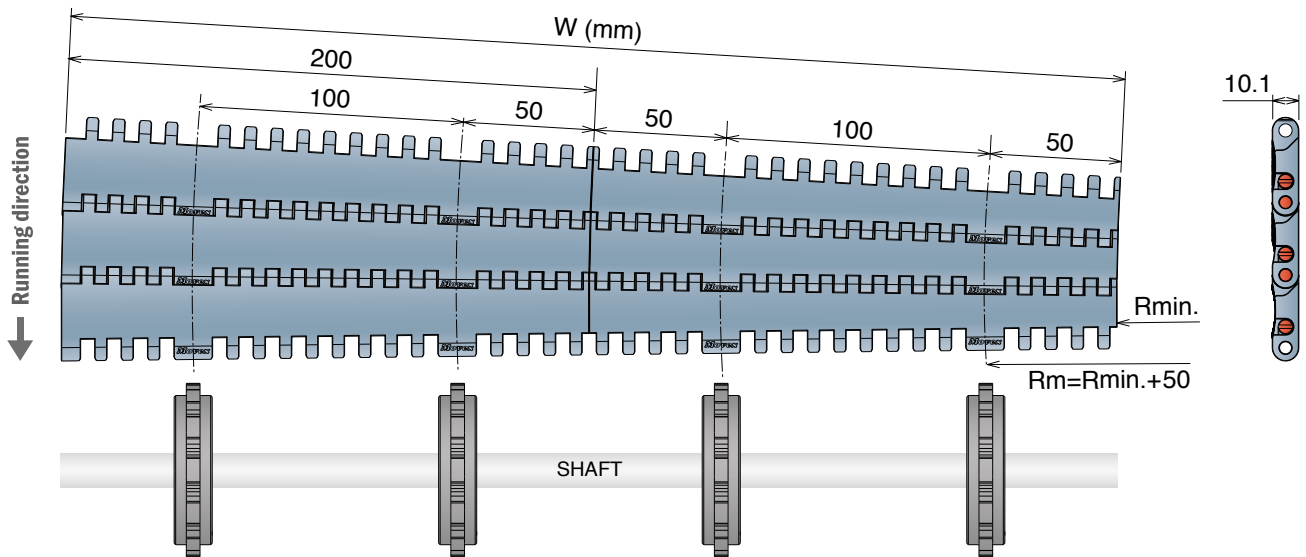
Max w. load: 13500 N/m
Weight: 9,25 kg/m²
Temp. range dry: -40+80 °C
Temp. range wet: -40+65 °C
Pin: PBT white



Max belt speed: 70 m/min on middle radius

Row to row angle: 1.33° | **Pin:** D4,7 mm, PBT White

Color of the modules: Pigeon Blue | **Open Area:** 0%



Side Flex Modular Belt Zero Contact™ 90° | Length of the belt 150 Modules

Part	Belt Width (mm)	Rmin. 600	Rmin. 800	Rmin. 1000	Rmin. 1200	Rmin. 1400	Rmin. 1600	Rmin. 1800	Rmin. 2000
545	200	5451010201A	5451010202A	5451010203A	5451010204A	5451010205A	5451010206A	5451010207A	5451010208A
545	400	5451010401A	5451010402A	5451010403A	5451010404A	5451010405A	5451010406A	5451010407A	-
545	600	5451010601A	5451010602A	5451010603A	5451010604A	5451010605A	5451010606A	-	-
545	800	5451010801A	5451010802A	5451010803A	5451010804A	5451010805A	-	-	-
545	1000	5451011001A	5451011002A	5451011003A	5451011004A	-	-	-	-
545	1200	5451011201A	5451011202A	5451011203A	-	-	-	-	-
545	1400	5451011401A	5451011402A	-	-	-	-	-	-
545	1600	5451011601A	-	-	-	-	-	-	-

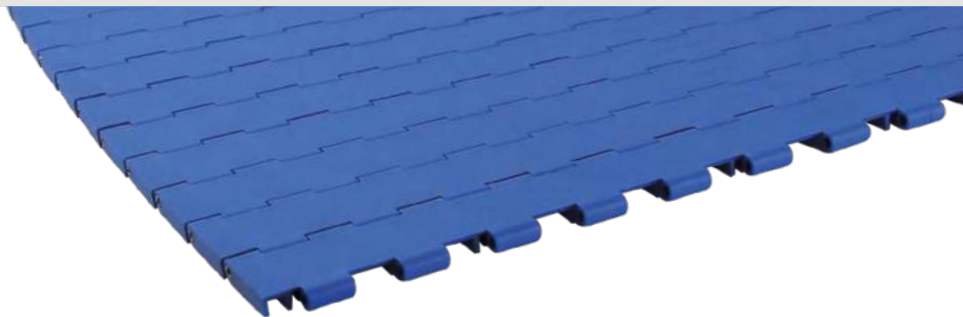
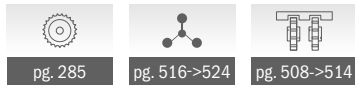
Side Flex Modular Belt Zero Contact™ 180° | Length of the belt 285 Modules

Part	Belt Width (mm)	Rmin. 600	Rmin. 800	Rmin. 1000	Rmin. 1200	Rmin. 1400	Rmin. 1600	Rmin. 1800	Rmin. 2000
545	200	5452010201A	5452010202A	5452010203A	5452010204A	5452010205A	5452010206A	5452010207A	5452010208A
545	400	5452010401A	5452010402A	5452010403A	5452010404A	5452010405A	5452010406A	5452010407A	-
545	600	5452010601A	5452010602A	5452010603A	5452010604A	5452010605A	5452010606A	-	-
545	800	5452010801A	5452010802A	5452010803A	5452010804A	5452010805A	-	-	-
545	1000	5452011001A	5452011002A	5452011003A	5452011004A	-	-	-	-
545	1200	5452011201A	5452011202A	5452011203A	-	-	-	-	-
545	1400	5452011401A	5452011402A	-	-	-	-	-	-
545	1600	5452011601A	-	-	-	-	-	-	-

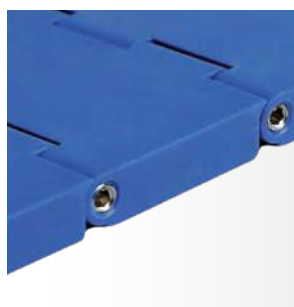
ZERO CONTACT PRO

Tappeto Modulare Curvilineo Zero Contact PRO, H=9

Side Flex Modular Belt Zero Contact PRO, H=9 / Kurvengängige Mattenkette Zero Contact PRO, H=9



Metric Size



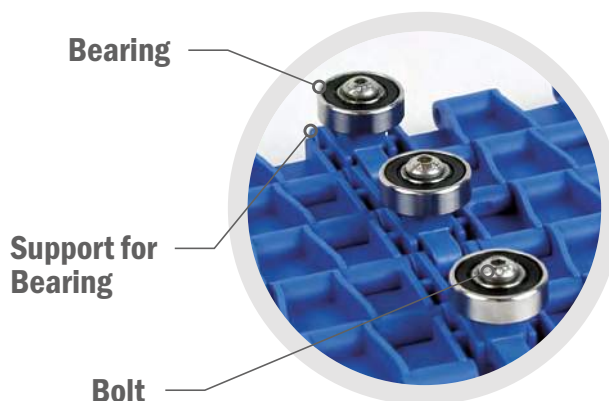
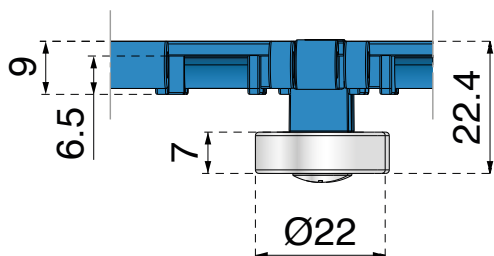
Based on our Zero Contact belt, **Movex®** decided to introduce **Zero Contact PRO**, a reinforced version designed specifically for heavy applications.

This innovative design is especially recommended for high speed, heavy loads and transportation of abrasive substances, like sand, salt, sugar, and many other applications.

The stainless steel pins guarantee a higher working load, and due to the new pin retention with grub screw, this permits a strong assembling of the belt.

The robust structure of **Zero Contact PRO** can be summarized in minimal maintenance, long life expectation and high reliability.

Zero Contact PRO is a surprisingly versatile belt, allowing a wider range of available widths and radii. We also have the possibility to integrate bearings for extreme environments and higher PV limits. It creates the opportunity to develop a two track conveyor for ultimate loading, and can also support the traceability of products.



Technical specification

Material of the modules: PA glass fibre reinforced

Color of the modules: Dark Pigeon Blue

Pin: D4 mm, material 1.4301

Pin lock: Stainless steel grub screw

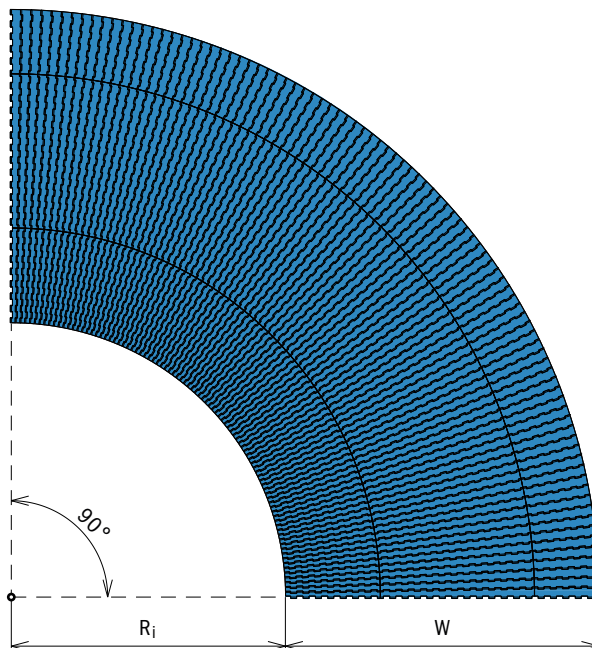
Temperature range: -30°C to 100°C

Max belt speed: 70 m/min on middle radius

Max working load: 19000 N/m belt width

Bearing: S608RS

Order code for 90°



Side Flex Modular Belt Zero Contact PRO™ 90° | Without bearings

Order code	Radius	Belt Width
5461280439A-M	586	439
5461280524A-M	586	524
5461280864A-M	586	864
5461281034A-M	586	1034
5462280269A-M	756	269
5462280439A-M	756	439
5462280524A-M	756	524
5462280864A-M	756	864

Order code	Radius	Belt Width
5462281034A-M	756	1034
5463280269A-M	1011	269
5463280439A-M	1011	439
5463280524A-M	1011	524
5463280864A-M	1011	864
5463281034A-M	1011	1034
5465280249A-M	1031	249
5464280419A-M	1031	419

Order code	Radius	Belt Width
5464280504A-M	1116	504
5465280419A-M	1201	419
5466280249A-M	1286	249
5465280504A-M	1286	504
5466280419A-M	1456	419
5466280504A-M	1541	504

Side Flex Modular Belt Zero Contact PRO™ 90° | With bearings

Order code	Radius	Belt Width
5462280249A-M	1031	249
5461280419A-M	1031	419
5461280504A-M	1116	504
5462280419A-M	1201	419

Order code	Radius	Belt Width
5463280249A-M	1286	249
5462280504A-M	1286	504
5463280419A-M	1456	419
5463280504A-M	1541	504

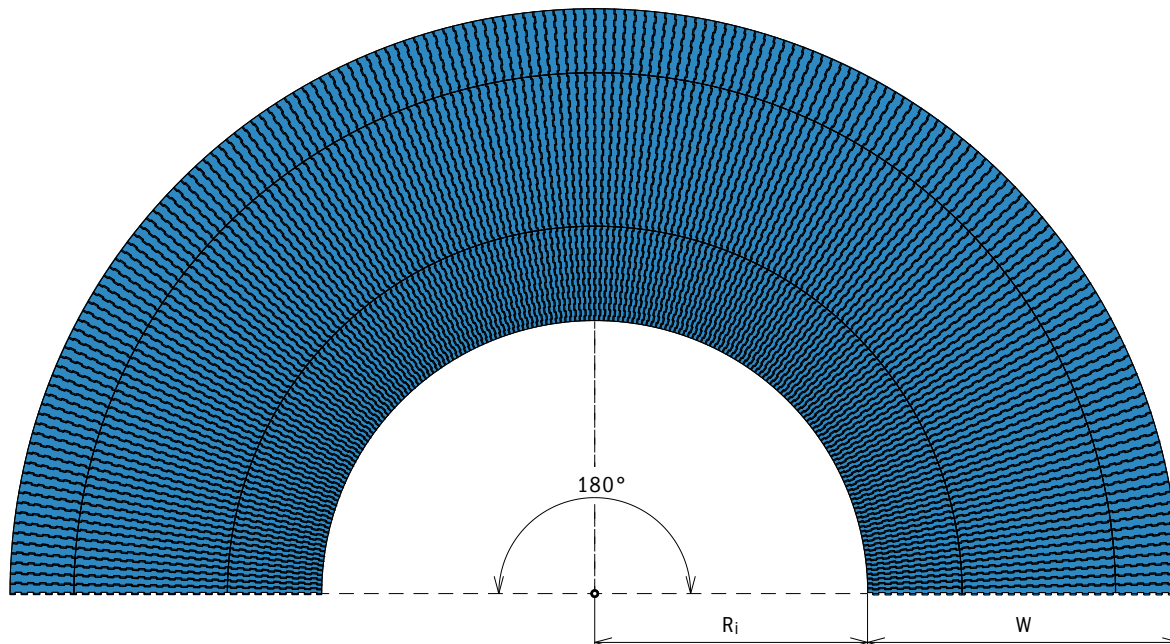


Side Flex Modular Belt Zero Contact PRO™ 90° | Two track combinations

Track 1 - Order code	Radius	Belt Width		Track 2 - Order code	Radius	Belt Width	Total width
5462280269A-M	756	269	+	5465280249A-M	1031	249	524
5463280269A-M	1011	269	+	5466280249A-M	1286	249	524
5461280439A-M	586	439	+	5464280419A-M	1031	419	864
5462280439A-M	756	439	+	5465280419A-M	1201	419	864
5463280439A-M	1011	439	+	5466280419A-M	1456	419	864
5461280524A-M	586	524	+	5464280504A-M	1116	504	1034
5462280524A-M	756	524	+	5465280504A-M	1286	504	1034
5463280524A-M	1011	524	+	5466280504A-M	1541	504	1034

The gap between the belts is 6 mm.

Order code for 180°



Side Flex Modular Belt Zero Contact PRO™ 180° | Without bearings

Order code	Radius	Belt Width
5461280439B-M	586	439
5461280524B-M	586	524
5461280864B-M	586	864
5461281034B-M	586	1034
5462280269B-M	756	269
5462280439B-M	756	439
5462280524B-M	756	524
5462280864B-M	756	864

Order code	Radius	Belt Width
5462281034B-M	756	1034
5463280269B-M	1011	269
5463280439B-M	1011	439
5463280524B-M	1011	524
5463280864B-M	1011	864
5463281034B-M	1011	1034
5465280249B-M	1031	249
5464280419B-M	1031	419

Order code	Radius	Belt Width
5464280504B-M	1116	504
5465280419B-M	1201	419
5466280249B-M	1286	249
5465280504B-M	1286	504
5466280419B-M	1456	419
5466280504B-M	1541	504

Side Flex Modular Belt Zero Contact PRO™ 180° | With bearings

Order code	Radius	Belt Width
5462280249B-M	1031	249
5461280419B-M	1031	419
5461280504B-M	1116	504
5462280419B-M	1201	419

Order code	Radius	Belt Width
5463280249B-M	1286	249
5462280504B-M	1286	504
5463280419B-M	1456	419
5463280504B-M	1541	504



Side Flex Modular Belt Zero Contact PRO™ 180° | Two track combinations

Track 1 - Order code	Radius	Belt Width		Track 2 - Order code	Radius	Belt Width	Total width
5462280269B-M	756	269	+	5465280249B-M	1031	249	524
5463280269B-M	1011	269	+	5466280249B-M	1286	249	524
5461280439B-M	586	439	+	5464280419B-M	1031	419	864
5462280439B-M	756	439	+	5465280419B-M	1201	419	864
5463280439B-M	1011	439	+	5466280419B-M	1456	419	864
5461280524B-M	586	524	+	5464280504B-M	1116	504	1034
5462280524B-M	756	524	+	5465280504B-M	1286	504	1034
5463280524B-M	1011	524	+	5466280504B-M	1541	504	1034

The gap between the belts is 6 mm.

ZER⁵²⁰CONTACT

C U R V E

CURVE CONVEYOR
WITH PLASTIC BELT

The new **Zero Contact™ Curve** is available in different widths with a closed-top surface capable of handling a variety of package sizes, types and configurations including delicate products and applications exiting a shrink wrapper. It's the ideal solution for transporting Bags, Bundles, Containers, Cartons and Wrapped items

If you have questions about a specific application, don't hesitate to contact our engineering department.



Design

Improved construction and straight section eliminated before and after curve.

Safety

Closed-Top design and Improved safety.

Product care

Improved product handling, holding original orientation.

Easy implementation

Easy implementation in existing layouts respectively easy replacement of existing conveyor.

Space

Less floorspace required.

Money saving

With reduced maintenance cost.

Technical specification

Available belt width:	200 mm to 1600 mm (increments of 200 mm)
Available curve angle:	90° and 180° (Different angle on request)
Max belt speed:	70 m/min.
Weight:	9,25 Kg/m ²
Max working load:	2700 N per 200 mm of belt width
Min. inner radius:	600 mm to 2000 mm (increments of 200 mm)
Gearmotor:	SEW (Different options on request)

Belt material:	Acetal (POM) - RAL 5014
Pins material:	PBT White
Frame material:	Stainless steel - AISI 304 or "Painted" available on request
Drive method:	Solid sprockets PA6 machined
Temperature range:	Dry: -40÷80°C - Wet: -40÷65°C

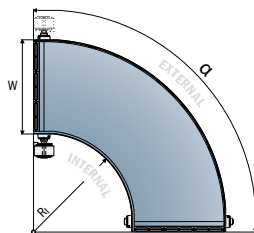
All pictures shown are for illustration purpose only. Actual product may vary due to product enhancement.

CURVES RANGE

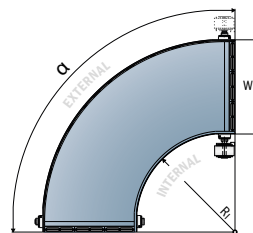
Angle 90°

Length of the belt: 150 Modules

Left Version **CS**



CD Right Version



Metric Size

Width (mm)	Version	Rmin. 600	Rmin. 800	Rmin. 1000	Rmin. 1200	Rmin. 1400	Rmin. 1600	Rmin. 1800	Rmin. 2000
200	RIGHT	W02R06G090-CD	W02R08G090-CD	W02R10G090-CD	W02R12G090-CD	W02R14G090-CD	W02R16G090-CD	W02R18G090-CD	W02R20G090-CD
	LEFT	W02R06G090-CS	W02R08G090-CS	W02R10G090-CS	W02R12G090-CS	W02R14G090-CS	W02R16G090-CS	W02R18G090-CS	W02R20G090-CS
400	RIGHT	W04R06G090-CD	W04R08G090-CD	W04R10G090-CD	W04R12G090-CD	W04R14G090-CD	W04R16G090-CD	W04R18G090-CD	-
	LEFT	W04R06G090-CS	W04R08G090-CS	W04R10G090-CS	W04R12G090-CS	W04R14G090-CS	W04R16G090-CS	W04R18G090-CS	-
600	RIGHT	W06R06G090-CD	W06R08G090-CD	W06R10G090-CD	W06R12G090-CD	W06R14G090-CD	W06R16G090-CD	-	-
	LEFT	W06R06G090-CS	W06R08G090-CS	W06R10G090-CS	W06R12G090-CS	W06R14G090-CS	W06R16G090-CS	-	-
800	RIGHT	W08R06G090-CD	W08R08G090-CD	W08R10G090-CD	W08R12G090-CD	W08R14G090-CD	-	-	-
	LEFT	W08R06G090-CS	W08R08G090-CS	W08R10G090-CS	W08R12G090-CS	W08R14G090-CS	-	-	-
1000	RIGHT	W10R06G090-CD	W10R08G090-CD	W10R10G090-CD	W10R12G090-CD	-	-	-	-
	LEFT	W10R06G090-CS	W10R08G090-CS	W10R10G090-CS	W10R12G090-CS	-	-	-	-
1200	RIGHT	W12R06G090-CD	W12R08G090-CD	W12R10G090-CD	-	-	-	-	-
	LEFT	W12R06G090-CS	W12R08G090-CS	W12R10G090-CS	-	-	-	-	-
1400	RIGHT	W14R06G090-CD	W14R08G090-CD	-	-	-	-	-	-
	LEFT	W14R06G090-CS	W14R08G090-CS	-	-	-	-	-	-
1600	RIGHT	W16R06G090-CD	-	-	-	-	-	-	-
	LEFT	W16R06G090-CS	-	-	-	-	-	-	-

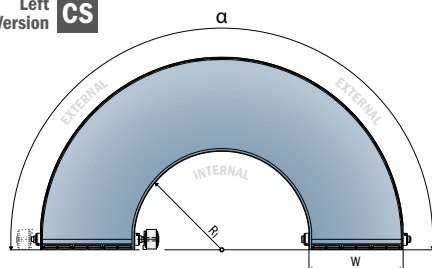
These codes mean complete curve, except floor supports and gearmotor, if you need to include them please contact your sales representative.

CURVES RANGE

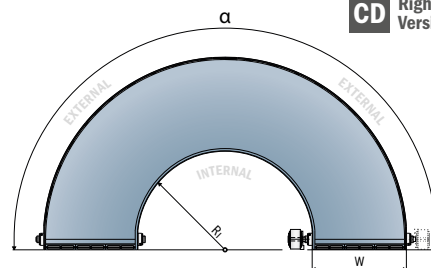
Angle 180°

Length of the belt: 285 Modules

Left Version **CS**



CD Right Version



Width (mm)	Version	Rmin. 600	Rmin. 800	Rmin. 1000	Rmin. 1200	Rmin. 1400	Rmin. 1600	Rmin. 1800	Rmin. 2000
200	RIGHT	W02R06G180-CD	W02R08G180-CD	W02R10G180-CD	W02R12G180-CD	W02R14G180-CD	W02R16G180-CD	W02R18G180-CD	W02R20G180-CD
	LEFT	W02R06G180-CS	W02R08G180-CS	W02R10G180-CS	W02R12G180-CS	W02R14G180-CS	W02R16G180-CS	W02R18G180-CS	W02R20G180-CS
400	RIGHT	W04R06G180-CD	W04R08G180-CD	W04R10G180-CD	W04R12G180-CD	W04R14G180-CD	W04R16G180-CD	W04R18G180-CD	-
	LEFT	W04R06G180-CS	W04R08G180-CS	W04R10G180-CS	W04R12G180-CS	W04R14G180-CS	W04R16G180-CS	W04R18G180-CS	-
600	RIGHT	W06R06G180-CD	W06R08G180-CD	W06R10G180-CD	W06R12G180-CD	W06R14G180-CD	W06R16G180-CD	-	-
	LEFT	W06R06G180-CS	W06R08G180-CS	W06R10G180-CS	W06R12G180-CS	W06R14G180-CS	W06R16G180-CS	-	-
800	RIGHT	W08R06G180-CD	W08R08G180-CD	W08R10G180-CD	W08R12G180-CD	W08R14G180-CD	-	-	-
	LEFT	W08R06G180-CS	W08R08G180-CS	W08R10G180-CS	W08R12G180-CS	W08R14G180-CS	-	-	-
1000	RIGHT	W10R06G180-CD	W10R08G180-CD	W10R10G180-CD	W10R12G180-CD	-	-	-	-
	LEFT	W10R06G180-CS	W10R08G180-CS	W10R10G180-CS	W10R12G180-CS	-	-	-	-
1200	RIGHT	W12R06G180-CD	W12R08G180-CD	W12R10G180-CD	-	-	-	-	-
	LEFT	W12R06G180-CS	W12R08G180-CS	W12R10G180-CS	-	-	-	-	-
1400	RIGHT	W14R06G180-CD	W14R08G180-CD	-	-	-	-	-	-
	LEFT	W14R06G180-CS	W14R08G180-CS	-	-	-	-	-	-
1600	RIGHT	W16R06G180-CD	-	-	-	-	-	-	-
	LEFT	W16R06G180-CS	-	-	-	-	-	-	-

These codes mean complete curve, except floor supports and gearmotor, if you need to include them please contact your sales representative.

Request for quotation

Company		Contact	
Sales contact		Date	

Technical features Please mark with an X

Conveyor angle	90°				180°			
Curve version	Left				Right			
Inside radius (mm)	600	800	1000	1200	1400	1600	1800	2000
Width (mm)	200	400	600	800	1000	1200	1400	1600
Legs (height*)	Yes				No			
Gearmotor	Yes				No			
Gearmotor side	Internal				External			
Country of destination								
Shaft diameter (mm)								

Movex Standard

$\alpha =$	
-	
$R_1 =$	
W =	
H* =	
SEW	
-	
-	
Ø 40 Sprocket	

* From the top of the belt to the floor.

Application features Please fill out

Type of product	
Product dimension (mm)	
Weight per linear meter (Kg/m)	
Belt Speed (m/min)	
Number tracks of products	
Belt material	
Type of external profile	
Type of internal side guide	
Top wear strip material (inside)	
Return wear strip material	

Movex Standard

-
-
-
-
-
LFA
Part. 15300C
Part. 700100G0
UHMW-PE (High density)
Return roller

Price	
--------------	--

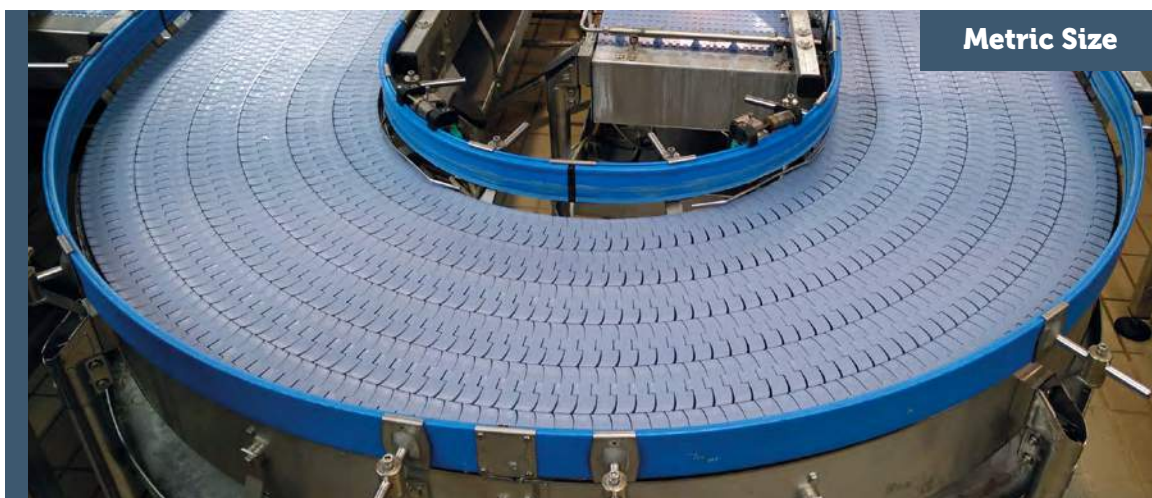
Fill out the form and send to your sales contact or to: info@movexii.com

For fields not completed the Movex standard specifications apply.

260/261

Pitch 25,4 mm

H= 21 mm / 25 mm / 28,7 mm



260 M FT
260 M FG
260 TAB

261 M FT
261 TAB

260 M FT

Tappeti modulari / Modular belts / Mattenketten

260 M FT

Catena curvilinea
Sideflexing belt/chain / Kurvengängige Mattenkette

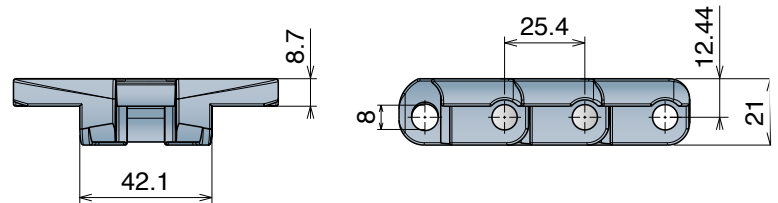
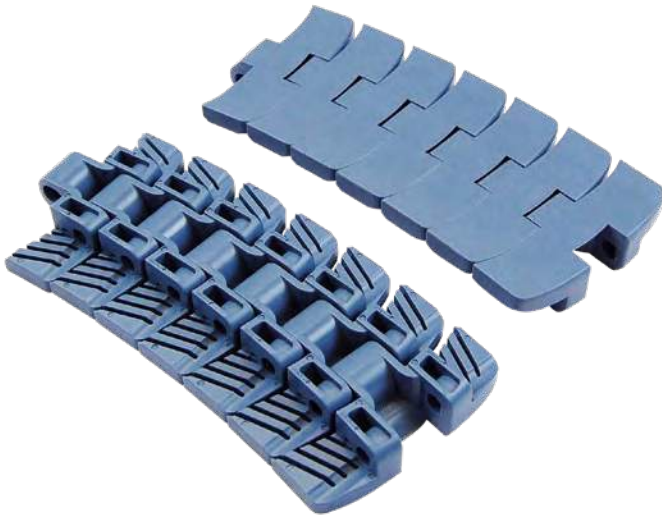
Magnetic System

Delivery: **Easy** **Standard**

Pins: Ferritic SS

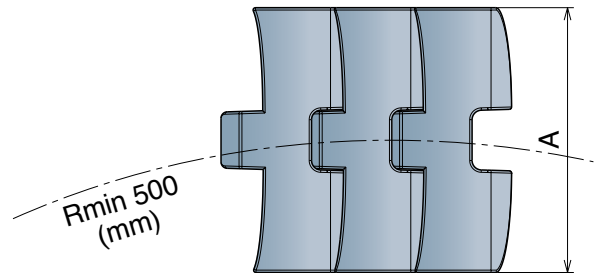
25.4mm
PITCH

Metric Size



Advantages:

- ▶ Heavy duty
- ▶ 20% Reduced gap link
- ▶ 95% Closed surface



10 feet 3.048 m			
120 links	pg. 281-282	pg. 141-147	pg. 516->524

Article-Nr.	Ref.	A (Plate Width) mm	Weight kg/m	Max working load (N)	Sideflex radius mm	Material
11510103	LFA 260 M FT K330	83,8	1,75	2000	500	LFA
11510105	LFA 260 M FT K450	114,3	2,30			
11510303	MX 260 M FT K330	83,8	1,75	1600	500	MX
11510305	MX 260 M FT K450	114,3	2,30			
11513003	PFX 260 M FT K330	83,8	1,65	1600	500	PFX
11513005	PFX 260 M FT K450	114,3	2,20			
11511603	DKM 260 M FT K330	83,8	1,75	2000	500	DKM
11511605	DKM 260 M FT K450	114,3	2,30			

260 M FG

Catena curvilinea
Sideflexing belt/chain / Kurvengängige Mattenkette

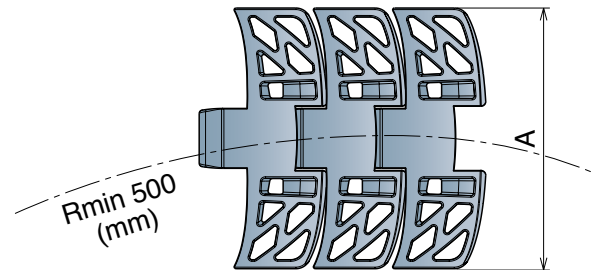
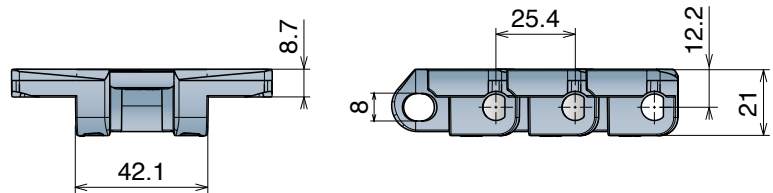
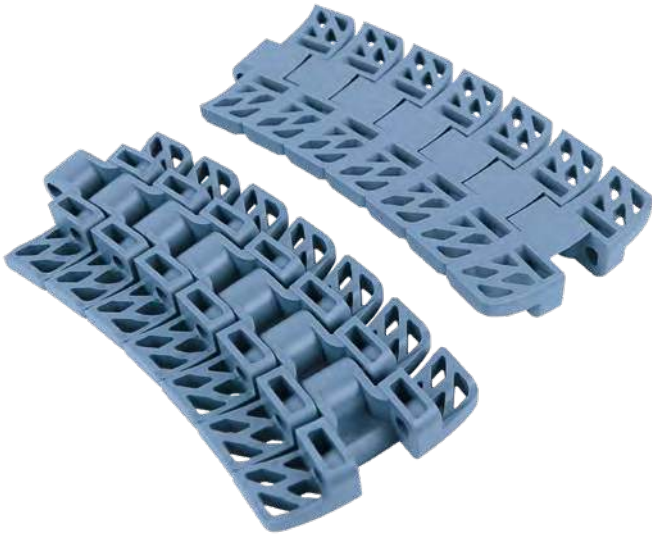
Magnetic System

Delivery: **Easy** Standard

Pins: Ferritic SS

25.4mm
PITCH

Metric Size



10 feet 3.048 m			
120 links	pg. 281-282	pg. 141-147	pg. 516->524

Article-Nr.	Ref.	A (Plate Width) mm	Weight kg/m	Max working load (N)	Sideflex radius mm	Material
11540103	LFA 260 M FG K330	83,8	1,62	2000	500	LFA
11540105	LFA 260 M FG K450	114,3	2,13			
11540303	MX 260 M FG K330	83,8	1,62	1600	500	MX
11540305	MX 260 M FG K450	114,3	2,13			
11543003	PFX 260 M FG K330	83,8	1,52	1600	500	PFX
11543005	PFX 260 M FG K450	114,3	2,03			

260 TAB

Tappeti modulari / Modular belts / Mattenketten

260 TAB

Catena curvilinea
Sideflexing belt/chain / Kurvengängige Mattenkette

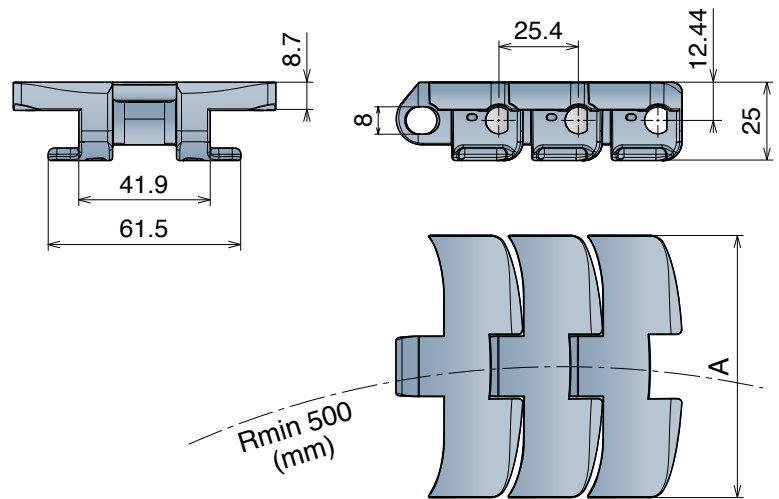
Tab System

Delivery: **Easy** **Standard**

Pins: Ferritic SS

25.4 mm
PITCH

Metric Size



10 feet 3.048 m	pg. 281-282	pg. 163	pg. 516->524
120 links			

Article-Nr.	Ref.	A (Plate Width) mm	Weight kg/m	Max working load (N)	Sideflex radius mm	Material
11520103	LFA 260 TAB K330	83,8	1,85	2000	500	LFA
11520105	LFA 260 TAB K450	114,3	2,00			
11520303	MX 260 TAB K330	83,8	1,85	1600	500	MX
11520305	MX 260 TAB K450	114,3	2,00			
11521603	DKM 260 TAB K330	83,8	1,85	2000	500	DKM
11521605	DKM 260 TAB K450	114,3	2,00			
11523003	PFX 260 TAB K330	83,8	1,75	1600	500	PFX
11523005	PFX 260 TAB K450	114,3	1,90			

Tappeti modulari / Modular belts / Mattenketten

261 M FT

Catena curvilinea
Sideflexing belt/chain / Kurvengängige Mattenkette

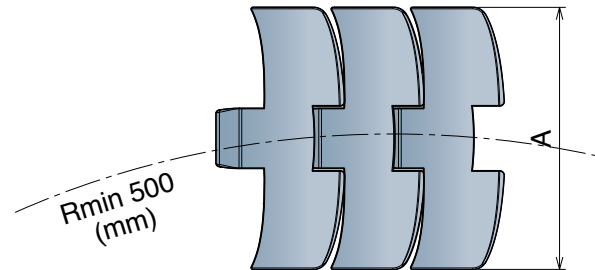
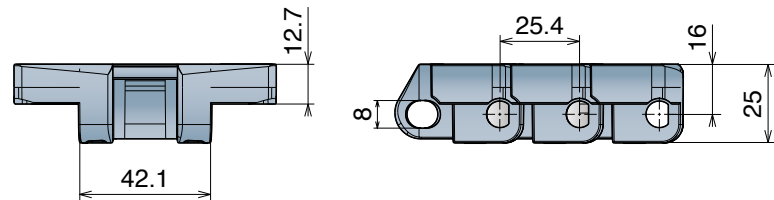
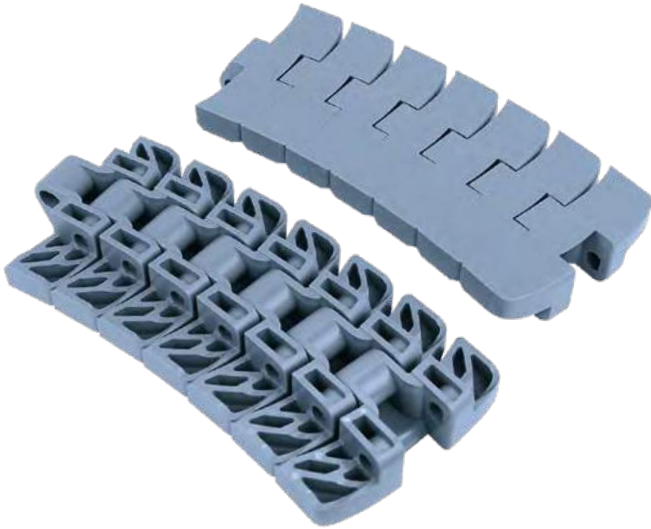
Magnetic System




Delivery: **Easy** Standard

Pins: Ferritic SS

25.4mm
PITCH

Metric Size



 10 feet 3.048 m	 pg. 281-282	 pg. 148-154	 pg. 516->524
120 links			

Article-Nr.	Ref.	A (Plate Width) mm	Weight kg/m	Max working load (N)	Sideflex radius mm	Material
11530103	LFA 261 M FT K330	83,8	2,00	2000	500	LFA
11530105	LFA 261 M FT K450	114,3	2,52			
11530303	MX 261 M FT K330	83,8	2,00	1600	500	MX
11530305	MX 261 M FT K450	114,3	2,52			
11531603	DKM 261 M FT K330	83,8	2,00	2000	500	DKM
11531605	DKM 261 M FT K450	114,3	2,52			
11531703	MWX 261 M FT K330	83,8	2,16	2000	500	MWX
11531705	MWX 261 M FT K450	114,3	2,70			

261 TAB

Tappeti modulari / Modular belts / Mattenketten

261 TAB

Catena curvilinea
Sideflexing belt/chain / Kurvengängige Mattenkette

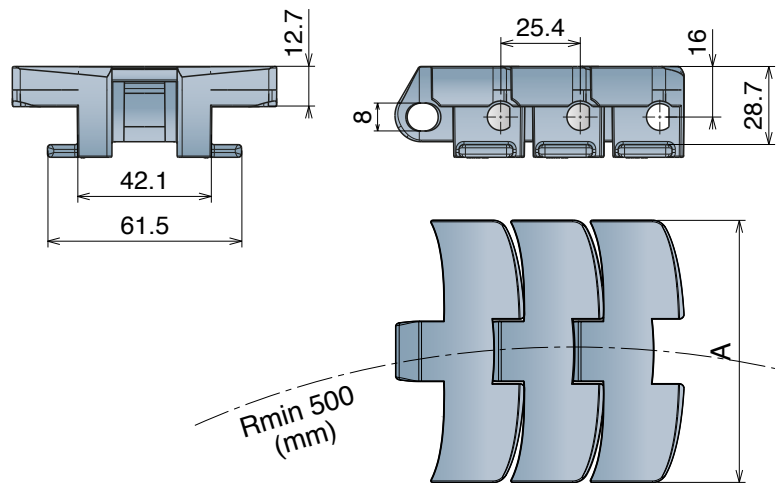
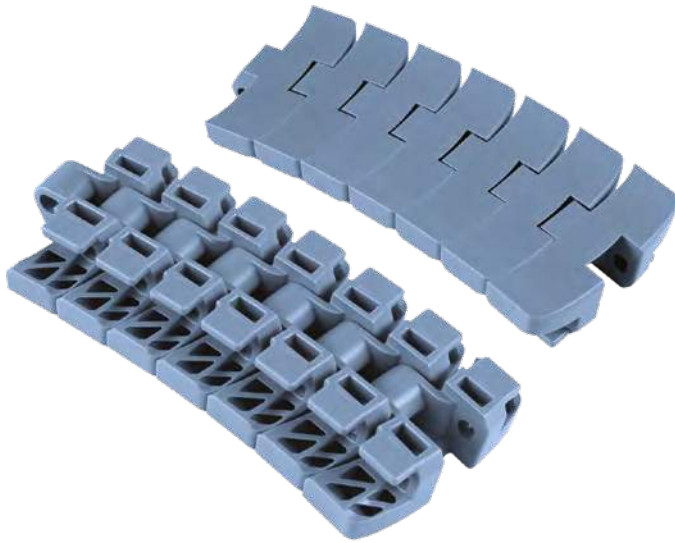
Tab System

Delivery: **Easy** **Standard**

Pins: Ferritic SS

25.4 mm
PITCH

Metric Size



10 feet 3.048 m			
120 links	pg. 281-282	pg. 163	pg. 516->524







Article-Nr.	Ref.	A (Plate Width) mm	Weight kg/m	Max working load (N)	Sideflex radius mm	Material
11900103	LFA 261 TAB K330	83,8	2,00	2000	500	LFA
11900105	LFA 261 TAB K450	114,3	2,52			
11900303	MX 261 TAB K330	83,8	2,00	1600	500	MX
11900305	MX 261 TAB K450	114,3	2,52			
11901603	DKM 261 TAB K330	83,8	2,00	2000	500	DKM
11901605	DKM 261 TAB K450	114,3	2,52			
11901703	MWX 261 TAB K330	83,8	2,16	2000	500	MWX
11901705	MWX 261 TAB K450	114,3	2,70			















Belt sprockets







510  Pag 266	521-520 HD-520 PRO LBP  Pag 267	521-520 HD-520 PRO LBP  Pag 267	521-520 HD-520 PRO LBP  Pag 268	520  Pag 268	520  Pag 269
--	---	---	---	---	--







520  Pag 269	520  Pag 270	520  Pag 270	525-530  Pag 271	525-530  Pag 271	590  Pag 272
--	--	--	--	---	--

590  Pag 272	550  Pag 273	550  Pag 273	550  Pag 274	550  Pag 274	550 PRO  Pag 275
--	--	--	--	---	--

550 PRO  Pag 275	550 PRO  Pag 276	550 PRO  Pag 276	551  Pag 277	551  Pag 277	551  Pag 278
--	--	--	--	---	--

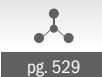
551  Pag 278	552  Pag 279	552  Pag 279	556  Pag 280	556  Pag 280	260-261  Pag 281
--	--	--	--	---	--

260-261  Pag 281	260-261  Pag 282	260-261  Pag 282	600  Pag 283	600  Pag 283	600 Support  Pag 284
--	--	--	--	---	--

600 Support  Pag 284	600 Split S. roller  Pag 284	ZERO CONTACT  Pag 285	ZERO CONTACT PRO  Pag 285	500RR  Pag 286	500RR  Pag 286
--	--	---	---	---	--

500RR SPLITV.  Pag 287
--

Info Material:



• **Materiale / Material / Materialien:**

Poliammide/Polyamide/Polyamid

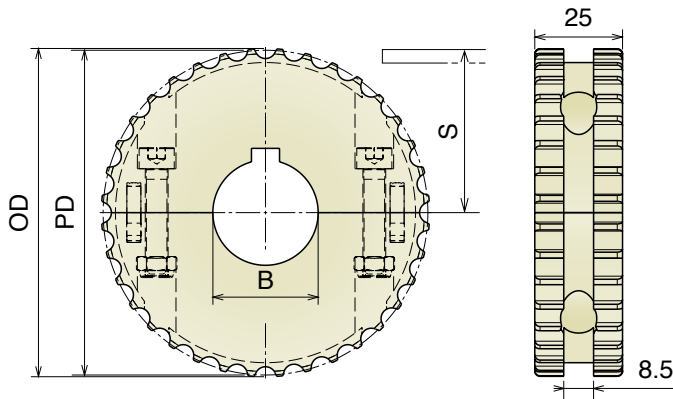
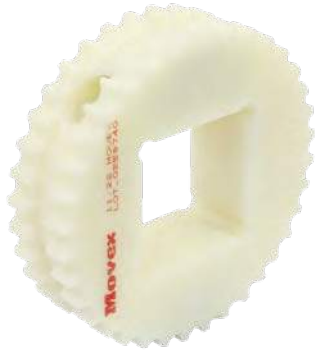
Viti: Acciaio inox/Screws: Stainless steel/Schrauben: Edelstahl

Dadi: ferro zincato/Nuts: zinc plated steel/Mutter: verzinkter Stahl

510

Ruota traino divisa, fresata

Split drive sprocket, machined / geteiltes Antriebskettenrad, gefräst



Part	Article-Nr.	Z-	Bore	PD	OD	S
1599	159936E	16*	20	41	40,2	16,65
1599	159896E	20	25	51,5	51,5	22,3
1601	160101E	18*	25	46,5	47,3	20,2
1602	160111E		20*20	□		
1602	160201E	24*	25	61,8	62,6	27,9
1603	160206E		25*25	□		
1603	160301	36	25	92,6	93,5	43,3
1603	160302		30			
1603	160303		35			
1603	160304		40			
1603	160306		25*25	□		
1603	160307		30*30	□		
1603	160308		40*40	□		

*Sprocket z-16, z-18, z-20 and z-24 are supplied non-split

Materiale / Material / Materialien:

Poliammide/Polyamide/Polyamid

Viti: Acciaio inox/Screws: Stainless steel/Schrauben: Edelstahl

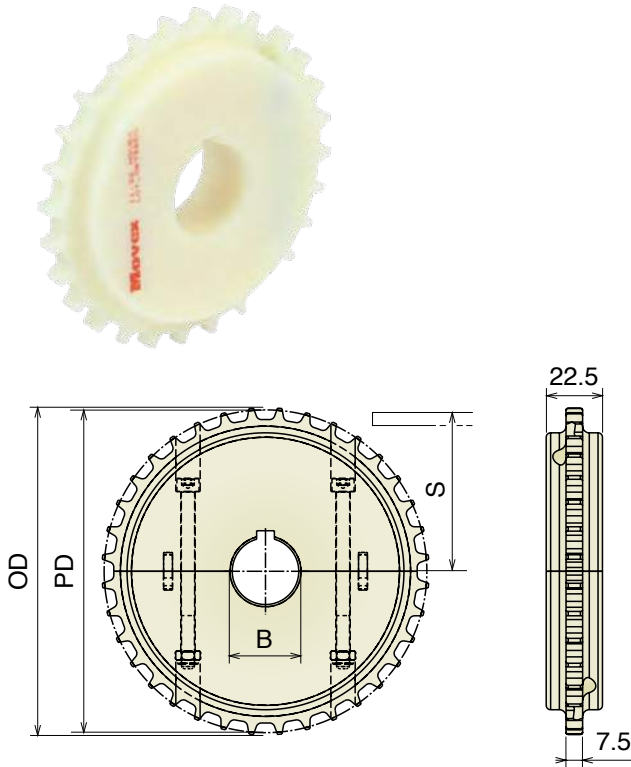
Dadi: ferro zincato/Nuts: zinc plated steel/Mutter: verzinkter Stahl

521-520 HD-520 PRO LBP

Ruote per tappeti / Belt sprockets / Kettenräder für Mattenketten

521-520 HD-520 PRO LBP

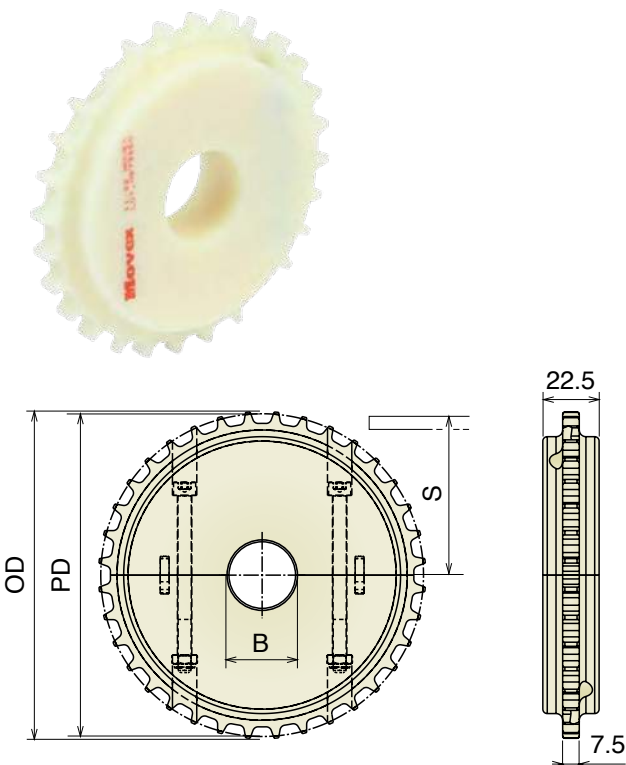
Ruota traino divisa, fresata
Split drive sprocket, machined
geteiltes Antriebskettenrad, gefräst



Part	Article-Nr.	Z-	Bore	PD	OD	S
1561	156101	28	25	113,4	115,4	52,4
1561	156102		30			
1561	156103		35			
1561	156104		40			
1561	156106		25* 25	□		
1561	156107		30* 30	□		
1561	156108		40* 40	□		
1562	156201	36	25	145,7	147,7	68,5
1562	156202		30			
1562	156203		35			
1562	156204		40			
1562	156206		25* 25	□		
1562	156207		30* 30	□		
1562	156208		40* 40	□		
1563	156301	38	25	153,8	155,8	72,6
1563	156302		30			
1563	156303		35			
1563	156304		40			
1563	156306		25* 25	□		
1563	156307		30* 30	□		
1563	156308		40* 40	□		
1564	156401	40	25	161,9	163,8	76,6
1564	156402		30			
1564	156403		35			
1564	156404		40			
1564	156406		25* 25	□		
1564	156407		30* 30	□		
1564	156408		40* 40	□		

Ruota rinvio divisa, fresata

Split idler sprocket, machined / geteiltes Umlenrad, gefräst



Part	Article-Nr.	Z-	Bore	PD	OD	S
1561	156150	28	18*	113,4	115,4	52,4
1561	156151		25			
1561	156152		30			
1561	156153		35			
1561	156154		40			
1562	156250	36	18*	145,7	147,7	68,5
1562	156251		25			
1562	156252		30			
1562	156253		35			
1562	156254		40			
1563	156350	38	18*	153,8	155,8	72,6
1563	156351		25			
1563	156352		30			
1563	156353		35			
1563	156354		40			
1564	156450	40	18*	161,9	163,8	76,6
1564	156451		25			
1564	156452		30			
1564	156453		35			
1564	156454		40			

*Plain Bore

521-520 HD-520 PRO LBP

Ruote per tappeti / Belt sprockets / Kettenräder für Mattenketten

Materiali / Material / Materialien:

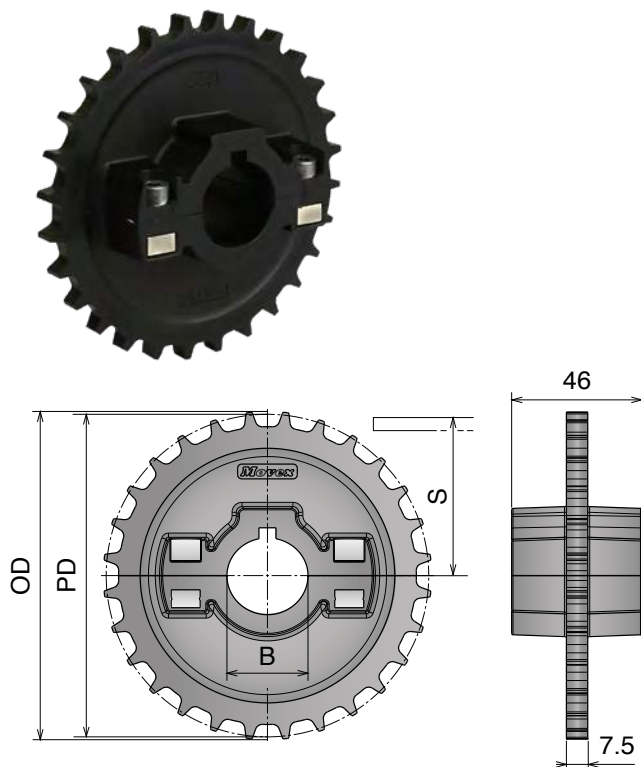
Poliammide/Polyamide/Polyamid

Viti: Acciaio inox/Screws: Stainless steel/Schrauben: Edelstahl

Dadi: ferro zincato/Nuts: zinc plated steel/Mutter: verzinkter Stahl

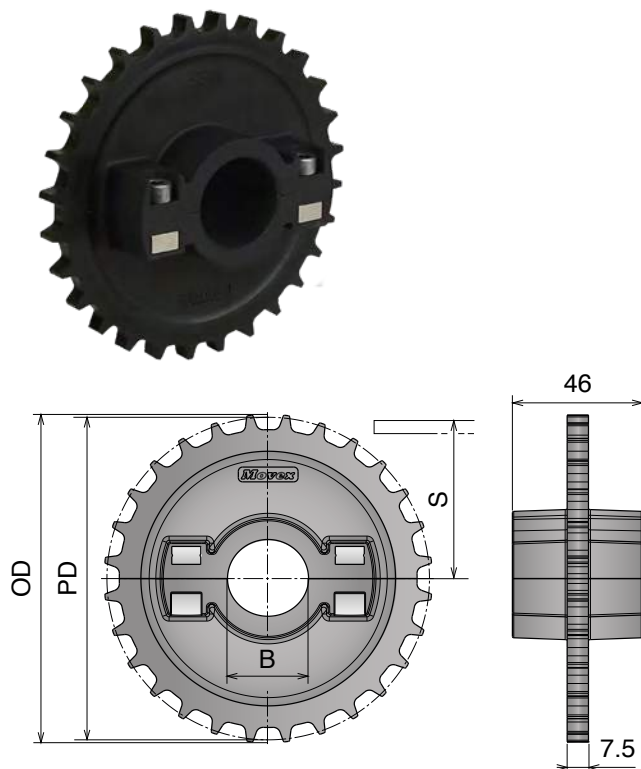
521-520 HD-520 PRO LBP

Ruota traino divisa, stampata
Split drive sprocket, molded
geteiltes Antriebskettenrad, gespritzt



Part	Article-Nr.	Z-	Bore	PD	OD	S
1630	163001	24	25	97,3	99,3	44,3
1630	163002		30			
1630	163003		35			
1630	163004		40			
1630	163006		25*25	□		
1630	163007		30*30	□		
1630	163008		40*40	□		
1631	163101	28	25	113,4	115,4	52,4
1631	163102		30			
1631	163103		35			
1631	163104		40			
1631	163106		25*25	□		
1631	163107		30*30	□		
1631	163108		40*40	□		
1632	163201	36	25	145,7	147,7	68,5
1632	163202		30			
1632	163203		35			
1632	163204		40			
1632	163206		25*25	□		
1632	163207		30*30	□		
1632	163208		40*40	□		

Ruota rinvio divisa, stampata
Split idler sprocket, molded / geteiltes Umlenkrad, gespritzt



Part	Article-Nr.	Z-	Bore	PD	OD	S
1630	163051	24	25	97,3	99,3	44,3
1630	163052		30			
1630	163053		35			
1630	163054		40			
1631	163151	28	25	113,4	115,4	52,4
1631	163152		30			
1631	163153		35			
1631	163154		40			
1632	163251	36	25	145,7	147,7	68,5
1632	163252		30			
1632	163253		35			
1632	163254		40			

Materiale / Material / Materialien:

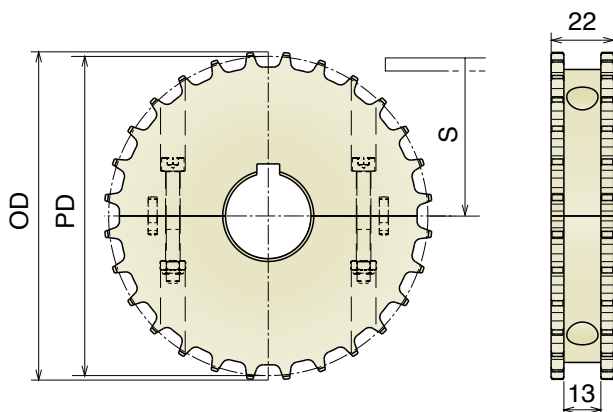
Poliamide/Polyamide/Polyamid

Viti: Acciaio inox/Screws: Stainless steel/Schrauben: Edelstahl

Dadi: ferro zincato/Nuts: zinc plated steel/Mutter: verzinkter Stahl

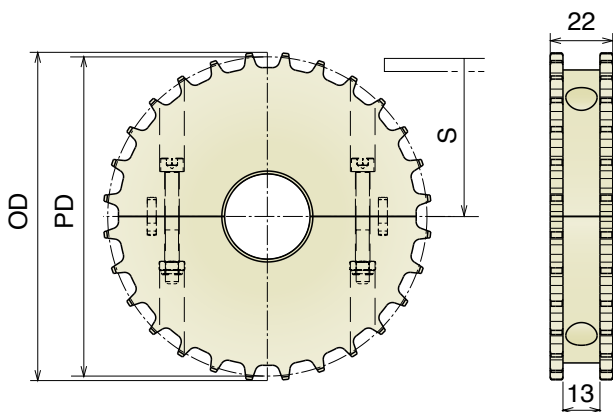
520 Ruota traino divisa, fresata Split drive sprocket, machined / geteiltes Antriebskettenrad, gefräst

Delivery: **Easy** **Standard**



Part	Article-Nr.	Z-	Bore	PD	OD	S
1501	150101	28	25	113,4	115,4	52,4
1501	150102		30			
1501	150103		35			
1501	150104		40			
1501	150106		25* 25	□		
1501	150107		30* 30	□		
1501	150108		40* 40	□		
1502	150201	36	25	145,7	147,7	68,5
1502	150202		30			
1502	150203		35			
1502	150204		40			
1502	150206		25* 25	□		
1502	150207		30* 30	□		
1502	150208		40* 40	□		
1503	150301	38	25	153,8	155,8	72,6
1503	150302		30			
1503	150303		35			
1503	150304		40			
1503	150306		25* 25	□		
1503	150307		30* 30	□		
1503	150308		40* 40	□		
1504	150401	40	25	161,9	163,8	76,6
1504	150402		30			
1504	150403		35			
1503	150404		40			
1504	150406		25* 25	□		
1504	150407		30* 30	□		
1504	150408		40* 40	□		

Ruota rinvio divisa, fresata Split idler sprocket, machined / geteiltes Umlenrad, gefräst



Part	Article-Nr.	Z-	Bore	PD	OD	S
1501	150150	28	18*	113,4	115,4	52,4
1501	150151		25			
1501	150152		30			
1501	150153		35			
1501	150154		40			
1502	150250	36	18*	145,7	147,7	68,5
1502	150251		25			
1502	150252		30			
1502	150253		35			
1502	150254		40			
1503	150350	38	18*	153,8	155,8	72,6
1503	150351		25			
1503	150352		30			
1503	150353		35			
1503	150354		40			
1504	150450	40	18*	161,9	163,8	76,6
1504	150451		25			
1504	150452		30			
1504	150453		35			
1504	150454		40			

*Plain Bore

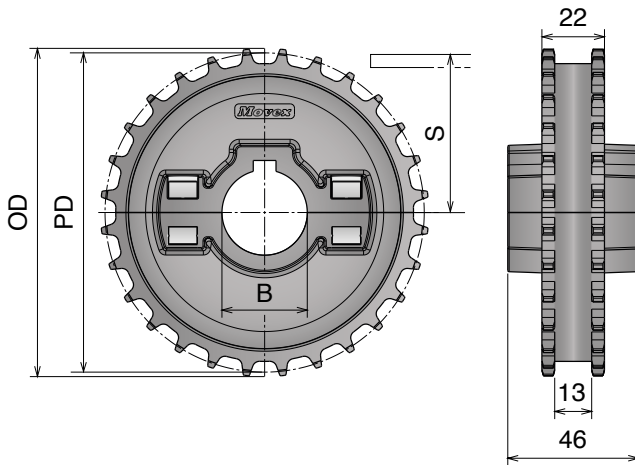
Materiale / Material / Materialien:

Poliammide rinforzato / Polyamide reinforced / Verstärktes Polyamid
 Viti: Acciaio inox / Screws: Stainless steel / Schrauben: Edelstahl
 Dadi: Ottone nichelato / Nuts: Nickel plated brass / Mutter: Messing

520

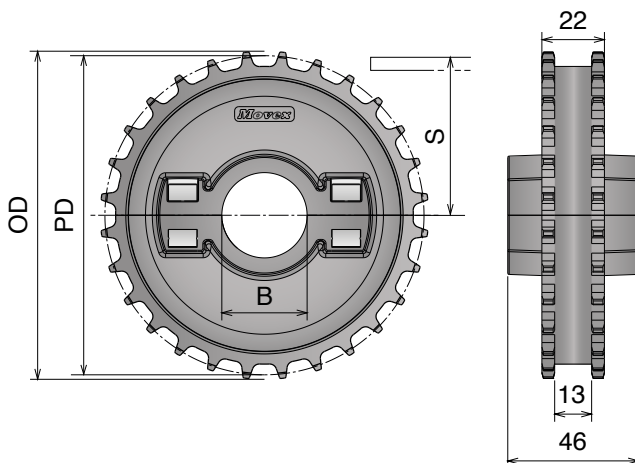
Ruota traino divisa, stampata
 Split drive sprocket, molded / geteiltes Antriebskettenrad, gespritzt

Delivery: **Easy** Standard



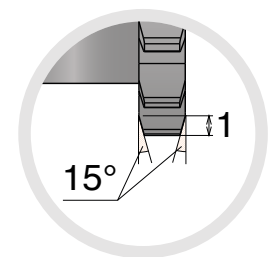
Ruota rinvio divisa, stampata

Split idler sprocket, molded / geteiltes Umlenrad, gespritzt



Part	Article-Nr.	Z-	Bore	PD	OD	S
1505	150501	24	25	97,3	99,3	44,3
1505	150502		30			
1505	150503		35			
1505	150504		40			
1505	150506		25*25	□		
1505	150507		30*30	□		
1505	150508		40*40	□		
1506	150601	28	25	113,4	115,4	52,4
1506	150602		30			
1506	150603		35			
1506	150604		40			
1506	150606		25*25	□		
1506	150607		30*30	□		
1506	150608		40*40	□		
1507	150701	36	25	145,7	147,7	68,5
1507	150702		30			
1507	150703		35			
1507	150704		40			
1507	150706		25*25	□		
1507	150707		30*30	□		
1507	150708		40*40	□		

Part	Article-Nr.	Z-	Bore	PD	OD	S
1505	150551	24	25	97,3	99,3	44,3
1505	150552		30			
1505	150553		35			
1505	150554		40			
1506	150651	28	25	113,4	115,4	52,4
1506	150652		30			
1506	150653		35			
1506	150654		40			
1507	150751	36	25	145,7	147,7	68,5
1507	150752		30			
1507	150753		35			
1507	150754		40			



Materiale / Material / Materialien:

Poliammide/Polyamide/Polyamid

Viti: Acciaio inox/Screws: Stainless steel/Schrauben: Edelstahl

Dadi: ferro zincato/Nuts: zinc plated steel/Mutter: verzinkter Stahl

525-530

Ruote per tappeti / Belt sprockets / Kettenräder für Mattenketten

525-530

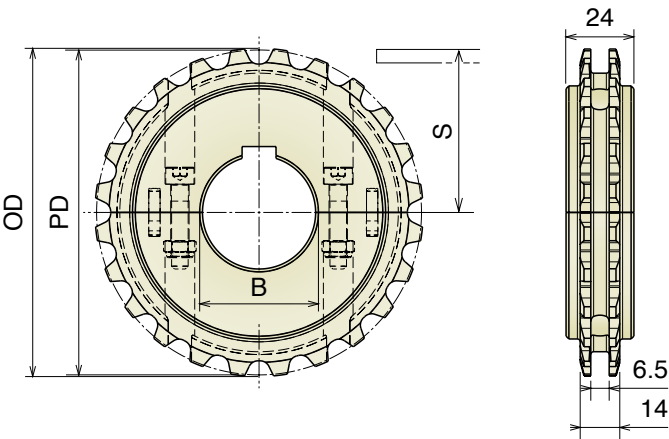
Ruota traino divisa, fresata

Split drive sprocket, machined / geteiltes Antriebskettenrad, gefräst

Delivery: **Easy** **Standard**

Part	Article-Nr.	Z-	Bore	PD	OD	S
1581	158101E	12**	25	58,1	58,2	24,1
1581	158106E		25x25 □			
1582	158201E	16**	25	77,1	77,7	33,6
1582	158202E		30			
1582	158206E		25x25 □			
1582	158207E		30x30 □			
1583	158301	24	25	114,9	115,5	52,5
1583	158302		30			
1583	158303		35			
1583	158304		40			
1583	158306		25x25 □			
1583	158307		30x30 □			
1583	158308		40x40 □			
1584	158401	32	25	153,4	154,8	71,75
1584	158402		30			
1584	158403		35			
1584	158404		40			
1584	158406		25x25 □			
1584	158407		30x30 □			
1584	158408		40x40 □			

**Idler sprocket Z-12 and Z-16 are supplied non-split.



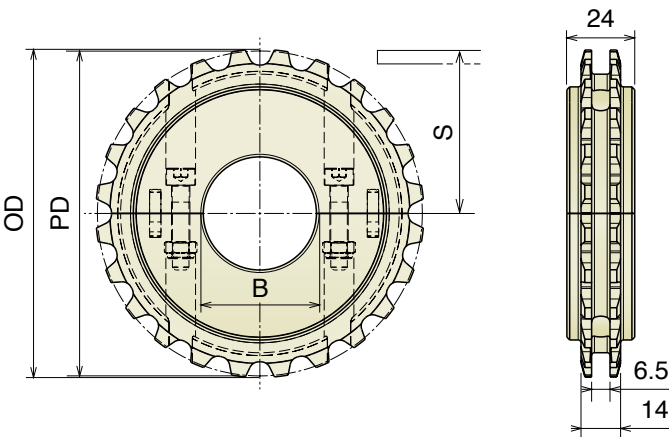
Ruota rinvio divisa, fresata

Split idler sprocket, machined / geteiltes Umlenrad, gefräst

Part	Article-Nr.	Z-	Bore	PD	OD	S
1581	158150E	12**	18*	58,1	58,2	24,1
1581	158151E		25			
1582	158250E	16**	18*	77,1	77,7	33,6
1582	158251E		25			
1582	158252E		30			
1583	158350	24	18*	114,9	115,5	52,5
1583	158351		25			
1583	158352		30			
1583	158353		35			
1583	158354		40			
1584	158450	32	18*	153,4	154,8	71,75
1584	158451		25			
1584	158452		30			
1584	158453		35			
1584	158454		40			

**Idler sprocket Z-12 and Z-16 are supplied non-split.

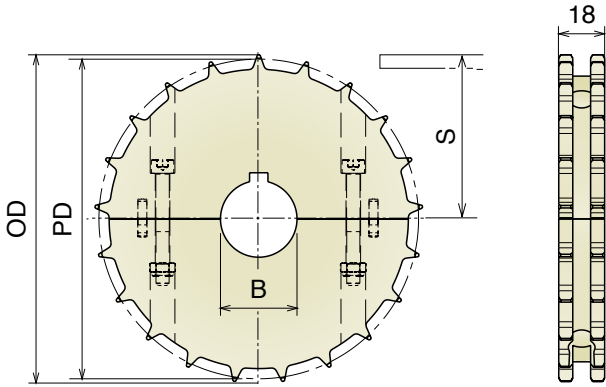
*Plain Bore



590 Ruota traino divisa, fresata

Split drive sprocket, machined / geteiltes Antriebskettenrad, gefräst

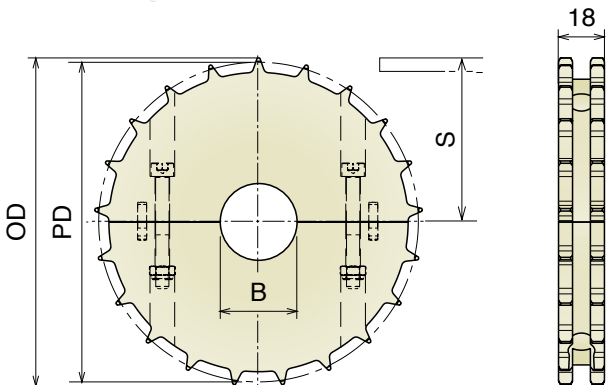
Part	Article-Nr.	Z-	Bore	PD	OD	S
1511	151101	17	25	100,7	103,4	46,0
1511	151102		30			
1511	151103		35			
1511	151104		40			
1511	151106		25* 25	□		
1511	151107		30* 30	□		
1511	151108		40* 40	□		
1512	151201	21	25	126,0	128,7	58,65
1512	151202		30			
1512	151203		35			
1512	151204		40			
1512	151206		25* 25	□		
1512	151207		30* 30	□		
1512	151208		40* 40	□		
1513	151301	24	25	142,9	145,6	67,1
1513	151302		30			
1513	151303		35			
1513	151304		40			
1513	151306		25* 25	□		
1513	151307		30* 30	□		
1513	151308		40* 40	□		
1514	151401	25	25	149,0	151,7	70,15
1514	151402		30			
1514	151403		35			
1514	151404		40			
1514	151406		25* 25	□		
1514	151407		30* 30	□		
1514	151408		40* 40	□		



Ruota rinvio divisa, fresata

Split idler sprocket, machined / geteiltes Umlenkrad, gefräst

Part	Article-Nr.	Z-	Bore	PD	OD	S
1511	151150	17	18*	100,7	103,4	46,0
1511	151151		25			
1511	151152		30			
1511	151153		35			
1511	151154		40			
1512	151250	21	18*	126,0	128,7	58,65
1512	151251		25			
1512	151252		30			
1512	151253		35			
1512	151254		40			
1513	151350	24	18*	142,9	145,6	67,1
1513	151351		25			
1513	151352		30			
1513	151353		35			
1513	151354		40			
1514	151450	25	18*	149,0	151,7	70,15
1514	151451		25			
1514	151452		30			
1514	151453		35			
1514	151454		40			



*Plain Bore

Materiale / Material / Materialien:

Poliamide/Polyamide/Polyamid

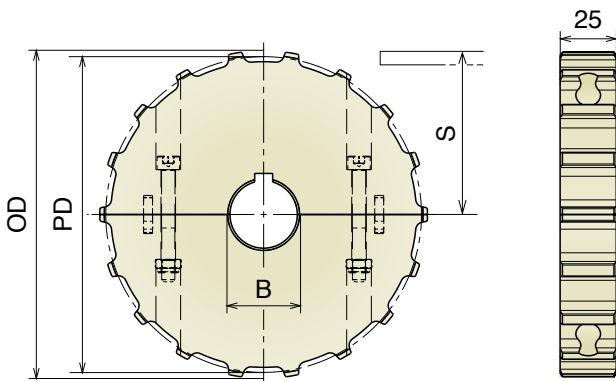
Viti: Acciaio inox/Screws: Stainless steel/Schrauben: Edelstahl

Dadi: ferro zincato/Nuts: zinc plated steel/Mutter: verzinkter Stahl

550

Ruota traino divisa, fresata
Split drive sprocket, machined / geteiltes Antriebskettenrad, gefräst

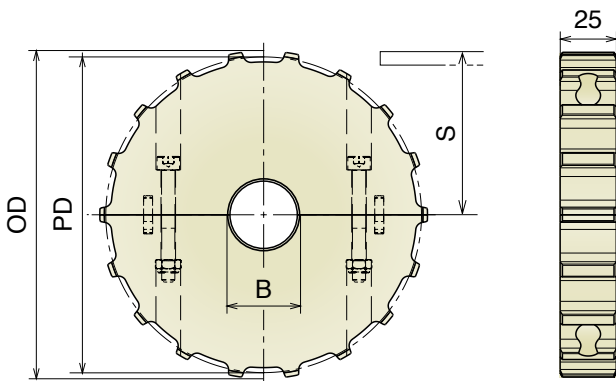
Delivery: **Easy** **Standard**



Part	Article-Nr.	Z-	Bore	PD	OD	S
1521	152101	14	25	114,1	114,0	52,7
1521	152102		30			
1521	152103		35			
1521	152104		40			
1521	152106		25* 25	□		
1521	152107		30* 30	□		
1521	152108		40* 40	□		
1522	152201	16	25	130,2	130,0	60,7
1522	152202		30			
1522	152203		35			
1522	152204		40			
1522	152206		25* 25	□		
1522	152207		30* 30	□		
1522	152208		40* 40	□		
1523	152301	18	25	146,3	146,0	68,8
1523	152302		30			
1523	152303		35			
1523	152304		40			
1523	152306		25* 25	□		
1523	152307		30* 30	□		
1523	152308		40* 40	□		
1524	152401	20	25	162,4	162,0	76,8
1524	152402		30			
1524	152403		35			
1524	152404		40			
1524	152406		25* 25	□		
1524	152407		30* 30	□		
1524	152408		40* 40	□		

Ruota rinvio divisa, fresata

Split idler sprocket, machined / geteiltes Umlenrad, gefräst



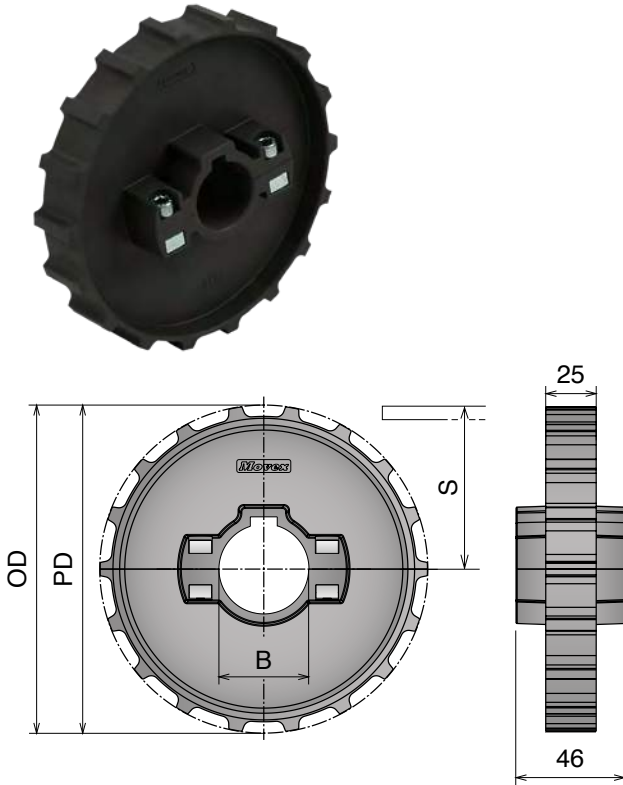
Part	Article-Nr.	Z-	Bore	PD	OD	S
1521	152150	14	18*	114,1	114,0	52,7
1521	152151		25			
1521	152152		30			
1521	152153		35			
1521	152154		40			
1522	152250	16	18*	130,2	130,0	60,7
1522	152251		25			
1522	152252		30			
1522	152253		35			
1522	152254		40			
1523	152350	18	18*	146,3	146,0	68,8
1523	152351		25			
1523	152352		30			
1523	152353		35			
1523	152354		40			
1524	152450	20	18*	162,4	162,0	76,8
1524	152451		25			
1524	152452		30			
1524	152453		35			
1524	152454		40			

*Plain Bore

550 Ruota traino divisa, stampata

Split drive sprocket, molded / geteiltes Antriebskettenrad, gespritzt

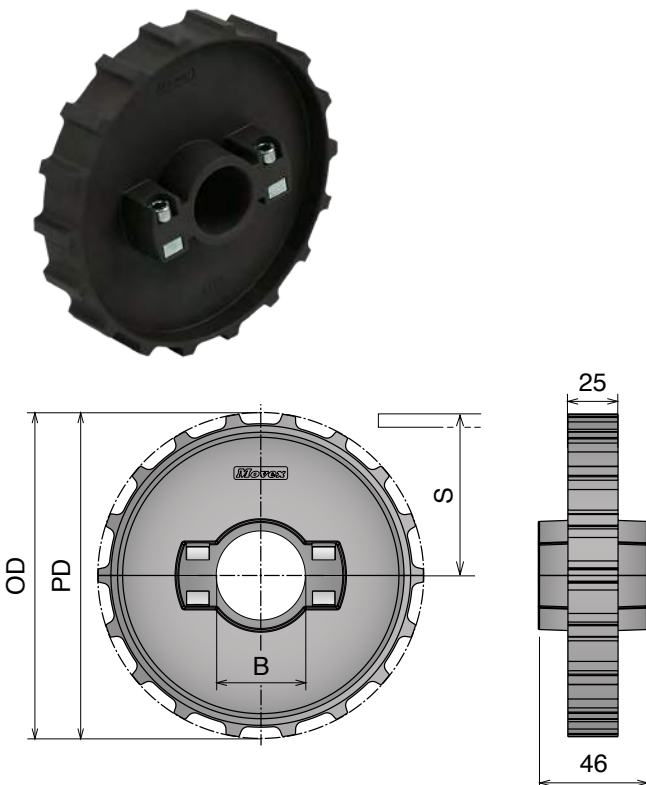
Delivery: **Easy** **Standard**



Part	Article-Nr.	Z-	Bore	PD	OD	S
1525	152501	14	25	114,1	114,0	52,7
1525	152502		30			
1525	152503		35			
1525	152504		40			
1525	152506		25* 25	□		
1525	152507		30* 30	□		
1525	152508		40* 40	□		
1526	152601	16	25	130,2	130,0	60,7
1526	152602		30			
1526	152603		35			
1526	152604		40			
1526	152606		25* 25	□		
1526	152607		30* 30	□		
1526	152608		40* 40	□		
1527	152701	18	25	146,3	146,0	68,8
1527	152702		30			
1527	152703		35			
1527	152704		40			
1527	152706		25* 25	□		
1527	152707		30* 30	□		
1527	152708		40* 40	□		
1528	152801	20	25	162,4	162,0	76,8
1528	152802		30			
1528	152803		35			
1528	152804		40			
1528	152806		25* 25	□		
1528	152807		30* 30	□		
1528	152808		40* 40	□		

Ruota rinvio divisa, stampata

Split idler sprocket, molded / geteiltes Umlenrad, gespritzt



Part	Article-Nr.	Z-	Bore	PD	OD	S
1525	152551	14	25	114,1	114,0	52,7
1525	152552		30			
1525	152553		35			
1525	152554		40			
1526	152651	16	25	130,2	130,0	60,7
1526	152652		30			
1526	152653		35			
1526	152654		40			
1527	152751	18	25	146,3	146,0	68,8
1527	152752		30			
1527	152753		35			
1527	152754		40			
1528	152851	20	25	162,4	162,0	76,8
1528	152852		30			
1528	152853		35			
1528	152854		40			

Materiale / Material / Materialien:

Poliammide/Polyamide/Polyamid

Viti: Acciaio inox/Screws: Stainless steel/Schrauben: Edelstahl

Dadi: ferro zincato/Nuts: zinc plated steel/Mutter: verzinkter Stahl

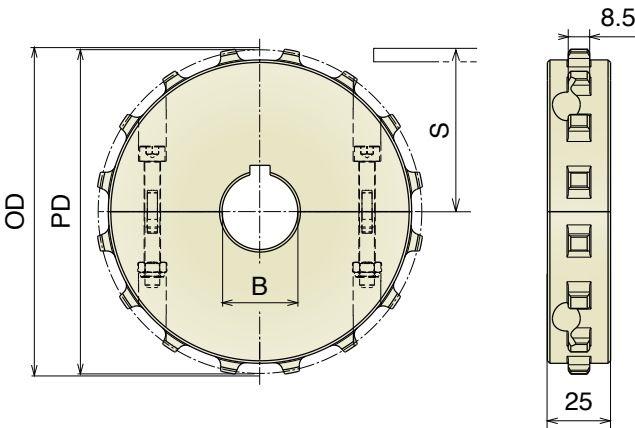
550 PRO

Ruote per tappeti / Belt sprockets / Kettenräder für Mattenketten

550 PRO

Ruota traino divisa, fresata

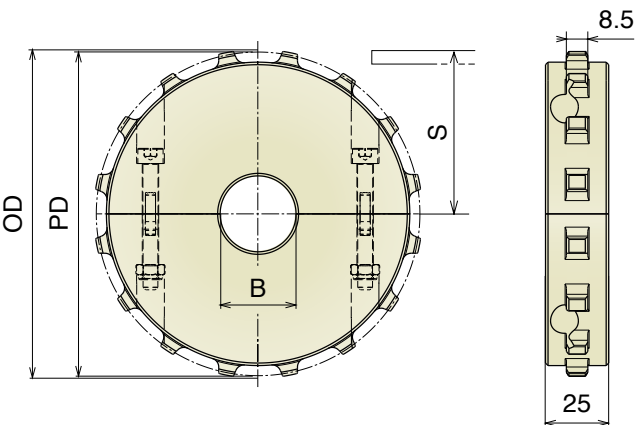
Split drive sprocket, machined / geteiltes Antriebskettenrad, gefräst



Part	Article-Nr.	Z	Bore	PD	OD	S
1640	164001	14	25	114,1	114,0	52,7
1640	164002		30			
1640	164003		35			
1640	164004		40			
1640	164006		25*25			
1640	164007		30*30			
1640	164008		40*40			
1641	164101	16	25	130,2	130,0	60,7
1641	164102		30			
1641	164103		35			
1641	164104		40			
1641	164106		25*25			
1641	164107		30*30			
1641	164108		40*40			
1642	164201	18	25	146,3	146,0	68,8
1642	164202		30			
1642	164203		35			
1642	164204		40			
1642	164206		25*25			
1642	164207		30*30			
1642	164208		40*40			
1643	164301	20	25	162,4	162,0	76,8
1643	164302		30			
1643	164303		35			
1643	164304		40			
1643	164306		25*25			
1643	164307		30*30			
1643	164308		40*40			

Ruota rinvio divisa, fresata

Split idler sprocket, machined / geteiltes Umlenrad,, gefräst



Part	Article-Nr.	Z	Bore	PD	OD	S
1640	164050	14	18*	114,1	114,0	52,7
1640	164051		25			
1640	164052		30			
1640	164053		35			
1640	164054		40			
1641	164150	16	18*	130,2	130,0	60,7
1641	164151		25			
1641	164152		30			
1641	164153		35			
1641	164154		40			
1642	164250	18	18*	146,3	146,0	68,8
1642	164251		25			
1642	164252		30			
1642	164253		35			
1642	164254		40			
1643	164350	20	18*	162,4	162,0	76,8
1643	164351		25			
1643	164352		30			
1643	164353		35			
1643	164354		40			

*Plain Bore

550 PRO

Ruote per tappeti / Belt sprockets / Kettenräder für Mattenketten

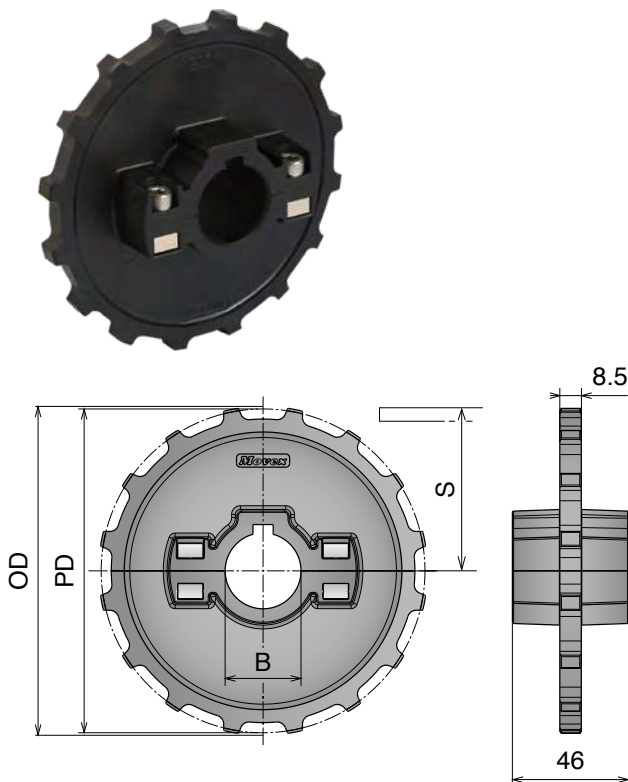
Materiali / Material / Materialien:

Poliammide rinforzato / Polyamide reinforced / Verstärktes Polyamid
 Viti: Acciaio inox / Screws: Stainless steel / Schrauben: Edelstahl
 Dadi: Ottone nichelato / Nuts: Nickel plated brass / Mutter: Messing

550 PRO

Ruota traino divisa, stampata

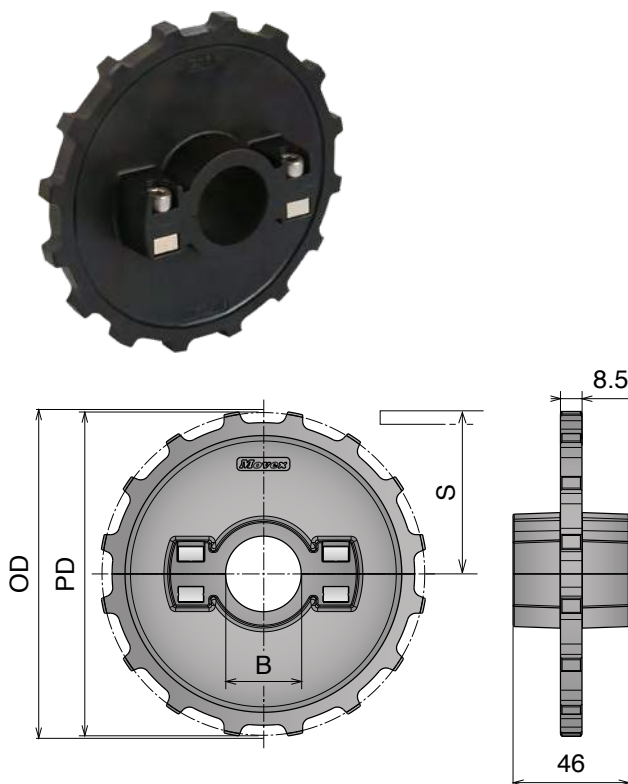
Split drive sprocket, molded / geteiltes Antriebskettenrad, gespritzt



Part	Article-Nr.	Z-	Bore	PD	OD	S
1650	165001	14	25	114,1	114,0	52,7
1650	165002		30			
1650	165003		35			
1650	165004		40			
1650	165006		25*25	□		
1650	165007		30*30	□		
1650	165008		40*40	□		
1651	165101	16	25	130,2	130,0	60,7
1651	165102		30			
1651	165103		35			
1651	165104		40			
1651	165106		25*25	□		
1651	165107		30*30	□		
1651	165108		40*40	□		
1652	165201	18	25	146,3	146,0	68,8
1652	165202		30			
1652	165203		35			
1652	165204		40			
1652	165206		25*25	□		
1652	165207		30*30	□		
1652	165208		40*40	□		
1653	165301	20	25	162,4	162,0	76,8
1653	165302		30			
1653	165303		35			
1653	165304		40			
1653	165306		25*25	□		
1653	165307		30*30	□		
1653	165308		40*40	□		

Ruota rinvio divisa, stampata

Split idler sprocket, molded / geteiltes Umlenrad, gespritzt



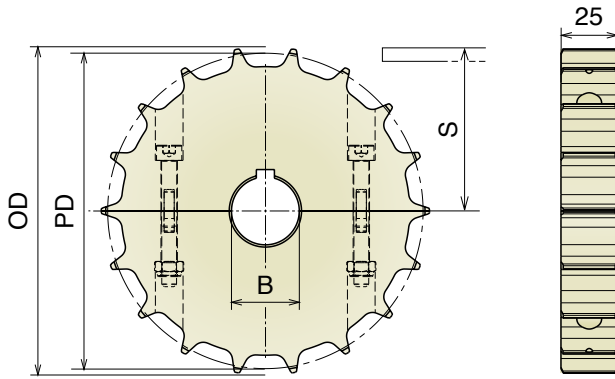
Part	Article-Nr.	Z-	Bore	PD	OD	S
1650	165051	14	25	114,1	114,0	52,7
1650	165052		30			
1650	165053		35			
1650	165054		40			
1651	165151	16	25	130,2	130,0	60,7
1651	165152		30			
1651	165153		35			
1651	165154		40			
1652	165251	18	25	146,3	146,0	68,8
1652	165252		30			
1652	165253		35			
1652	165254		40			
1653	165351	20	25	162,4	162,0	76,8
1653	165352		30			
1653	165353		35			
1653	165354		40			

551

Ruota traino divisa, fresata

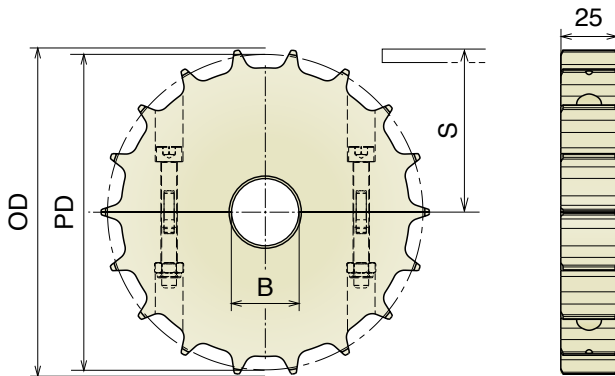
Split drive sprocket, machined / geteiltes Antriebskettenrad, gefräst

Range Extension



Ruota rinvio divisa, fresata

Split idler sprocket, machined / geteiltes Umlenrad, gefräst



Part	Article-Nr.	Z-	Bore	PD	OD	S
1539	153901	11	25	90,2	92,0	39,7
1539	153902		30			
1539	153903E		35			
1539	153904E		40			
1539	153906		25* 25			
1539	153907		30* 30			
1539	153908E		40* 40			
1531	153101	14	25	114,2	113,5	50,7
1531	153102		30			
1531	153103		35			
1531	153104		40			
1531	153106		25* 25			
1531	153107		30* 30			
1531	153108		40* 40			
1532	153201	16	25	130,2	129,0	58,7
1532	153202		30			
1532	153203		35			
1532	153204		40			
1532	153206		25* 25			
1532	153207		30* 30			
1532	153208		40* 40			
1533	153301	18	25	146,3	145,3	66,7
1533	153302		30			
1533	153303		35			
1533	153304		40			
1533	153306		25* 25			
1533	153307		30* 30			
1533	153308		40* 40			
1534	153401	20	25	162,4	161,7	74,8
1534	153402		30			
1534	153403		35			
1534	153404		40			
1534	153406		25* 25			
1534	153407		30* 30			
1534	153408		40* 40			
1634	163401	21	25	170,4	169,7	78,9
1634	163402		30			
1634	163403		35			
1634	163404		40			
1634	163406		25* 25			
1634	163407		30* 30			
1634	163408		40* 40			

Part	Article-Nr.	Z-	Bore	PD	OD	S
1539	153950	11	18*	90,2	92,0	39,7
1539	153951		25			
1539	153952		30			
1539	153953E		35			
1539	153954E		40			
1531	153150	14	18*	114,2	114,0	50,7
1531	153151		25			
1531	153152		30			
1531	153153		35			
1531	153154		40			
1532	153250	16	18*	130,2	129,0	58,7
1532	153251		25			
1532	153252		30			
1532	153253		35			
1532	153254		40			
1533	153350	18	18*	146,3	145,3	66,7
1533	153351		25			
1533	153352		30			
1533	153353		35			
1533	153354		40			
1533	153354		40			
1534	153450	20	18*	162,4	161,7	74,8
1534	153451		25			
1534	153452		30			
1534	153453		35			
1534	153454		40			
1634	163450	21	18*	170,4	169,7	78,9
1634	163451		25			
1634	163452		30			
1634	163453		35			
1634	163454		40			

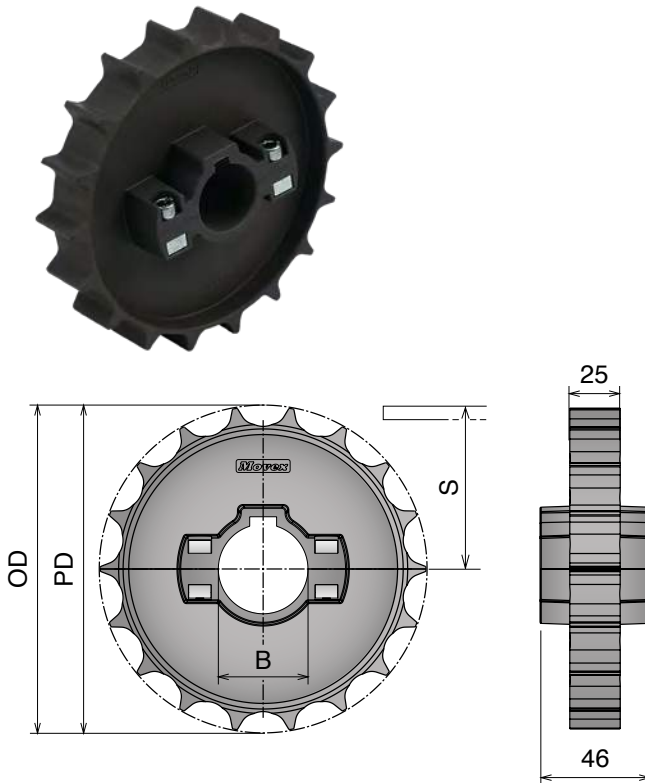
• Materiale / Material / Materialien:

Poliammide rinforzato / Polyamide reinforced / Verstärktes Polyamid
 Viti: Acciaio inox / Screws: Stainless steel / Schrauben: Edelstahl
 Dadi: Ottone nichelato / Nuts: Nickel plated brass / Mutter: Messing

551 Ruota traino divisa, stampata

Split drive sprocket, molded / geteiltes Antriebskettenrad, gespritzt

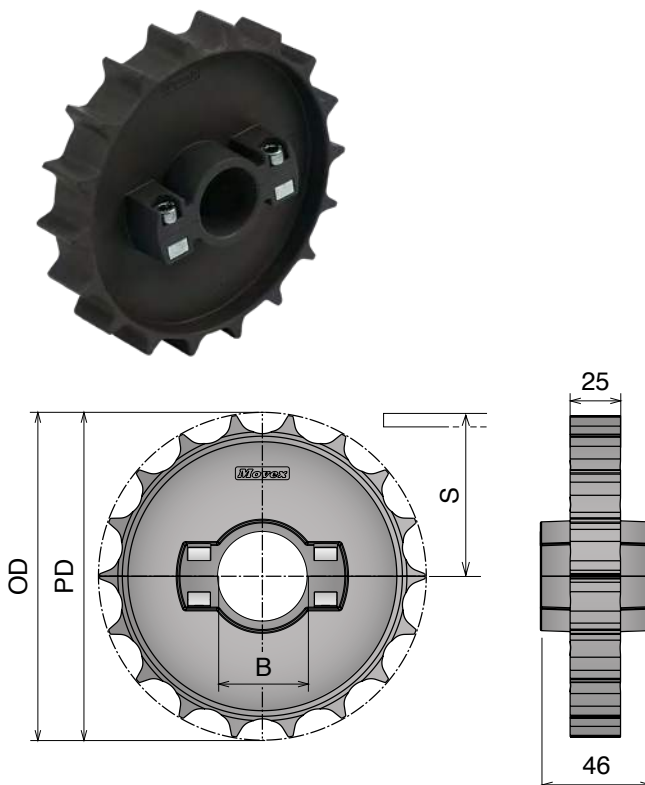
Delivery: **Easy** **Standard**



Part	Article-Nr.	Z-	Bore	PD	OD	S
1535	153501	14	25	114,2	113,5	50,7
1535	153502		30			
1535	153503		35			
1535	153504		40			
1535	153506		25* 25	□		
1535	153507		30* 30	□		
1535	153508		40* 40	□		
1536	153601	16	25	130,2	129,0	58,7
1536	153602		30			
1536	153603		35			
1536	153604		40			
1536	153606		25* 25	□		
1536	153607		30* 30	□		
1536	153608		40* 40	□		
1537	153701	18	25	146,3	145,3	66,7
1537	153702		30			
1537	153703		35			
1537	153704		40			
1537	153706		25* 25	□		
1537	153707		30* 30	□		
1537	153708		40* 40	□		
1538	153801	20	25	162,4	161,7	74,8
1538	153802		30			
1538	153803		35			
1538	153804		40			
1538	153806		25* 25	□		
1538	153807		30* 30	□		
1538	153808		40* 40	□		

Ruota rinvio divisa, stampata

Split idler sprocket, molded / geteiltes Umlenrad, gespritzt



Part	Article-Nr.	Z-	Bore	PD	OD	S
1535	153551	14	25	114,2	113,5	50,7
1535	153552		30			
1535	153553		35			
1535	153554		40			
1536	153651	16	25	130,2	129,0	58,7
1536	153652		30			
1536	153653		35			
1536	153654		40			
1537	153751	18	25	146,3	145,3	66,7
1537	153752		30			
1537	153753		35			
1537	153754		40			
1538	153851	20	25	162,4	161,7	74,8
1538	153852		30			
1538	153853		35			
1538	153854		40			

Materiale / Material / Materialien:

Poliammide/Polyamide/Polyamid

Viti: Acciaio inox/Screws: Stainless steel/Schrauben: Edelstahl

Dadi: ferro zincato/Nuts: zinc plated steel/Mutter: verzinkter Stahl

552 Ruota traino divisa, fresata Split drive sprocket, machined / geteiltes Antriebskettenrad, gefräst

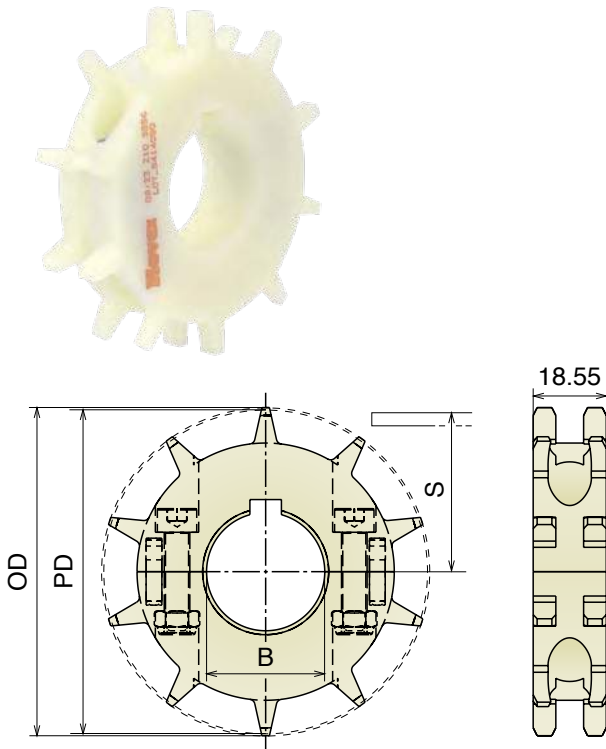
Part	Article-Nr.	Z-	Bore	PD	OD	S
1611	161101	16	25	130,2	130,6	58,7
1611	161102		30			
1611	161103		35			
1611	161104		40			
1611	161106		25* 25	□		
1611	161107		30* 30	□		
1611	161108		40* 40	□		
1612	161201	18	25	146,3	146,9	66,8
1612	161202		30			
1612	161203		35			
1612	161204		40			
1612	161206		25* 25	□		
1612	161207		30* 30	□		
1612	161208		40* 40	□		
1613	161301	21	25	170,4	170,7	78,8
1613	161302		30			
1613	161303		35			
1613	161304		40			
1613	161306		25* 25	□		
1613	161307		30* 30	□		
1613	161308		40* 40	□		
1614	161401	25	25	202,7	204,2	95,0
1614	161402		30			
1614	161403		35			
1614	161404		40			
1614	161406		25* 25	□		
1614	161407		30* 30	□		
1614	161408		40* 40	□		

Ruota rinvio divisa, fresata Split idler sprocket, machined / geteiltes Umlenrad, gefräst

Part	Article-Nr.	Z-	Bore	PD	OD	S
1611	161150	16	18*	130,2	130,6	58,7
1611	161151		25			
1611	161152		30			
1611	161153		35			
1611	161154		40			
1612	161250	18	18*	146,3	146,9	66,8
1612	161251		25			
1612	161252		30			
1612	161253		35			
1612	161254		40			
1613	161350	21	18*	170,4	170,7	78,8
1613	161351		25			
1613	161352		30			
1613	161353		35			
1613	161354		40			
1614	161450	25	18*	202,7	204,2	95,0
1614	161451		25			
1614	161452		30			
1614	161453		35			
1614	161454		40			

556 Ruota traino divisa, fresata

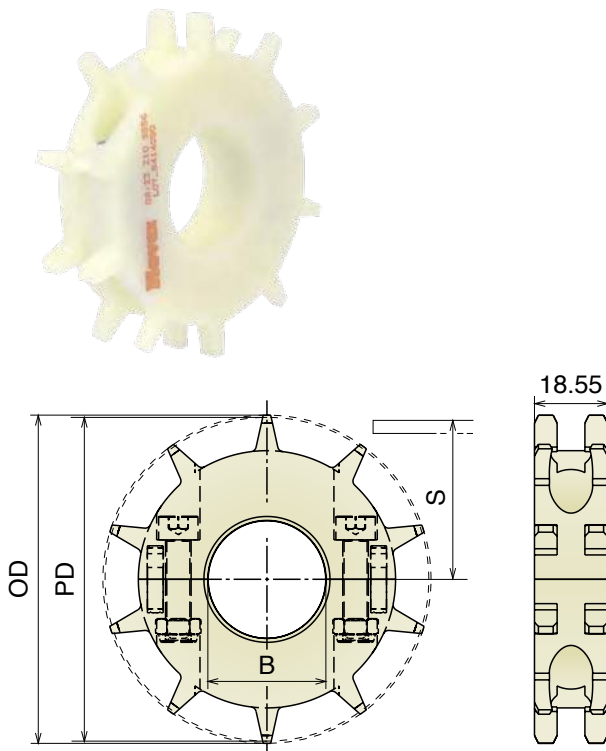
Split drive sprocket, machined / geteiltes Antriebskettenrad, gefräst



Part	Article-Nr.	Z-	Bore	PD	OD	S
1620	162001	10	25	82,2	83,3	33,0
1620	162002		30			
1620	162003E		35			
1620	162004E		40			
1620	162006		25*25	□		
1620	162007		30*30	□		
1620	162008E		40*40	□		
1621	162101	12	25	98,1	100,0	41,0
1621	162102		30			
1621	162103		35			
1621	162104		40			
1621	162106		25*25	□		
1621	162107		30*30	□		
1621	162108E		40*40	□		
1622	162201	15	25	122,2	124,3	53,0
1622	162202		30			
1622	162203		35			
1622	162204		40			
1622	162206		25*25	□		
1622	162207		30*30	□		
1622	162208		40*40	□		
1623	162301	18	25	146,3	147,8	65,0
1623	162302		30			
1623	162303		35			
1623	162304		40			
1623	162306		25*25	□		
1623	162307		30*30	□		
1623	162308		40*40	□		

Ruota rinvio divisa, fresata

Split idler sprocket, machined / geteiltes Umlenkrad, gefräst



Part	Article-Nr.	Z-	Bore	PD	OD	S
1620	162050	10	18*	82,2	83,3	33,0
1620	162051		25			
1620	162052		30			
1620	162053E		35			
1620	162054E		40			
1621	162150	12	18*	98,1	100,0	41,0
1621	162151		25			
1621	162152		30			
1621	162153		35			
1621	162154		40			
1622	162250	15	18*	122,2	124,3	53,0
1622	162251		25			
1622	162252		30			
1622	162253		35			
1622	162254		40			
1623	162350	18	18*	146,3	147,8	65,0
1623	162351		25			
1623	162352		30			
1623	162353		35			
1623	162354		40			

Materiale / Material / Materialien:

Poliamide/Polyamide/Polyamid

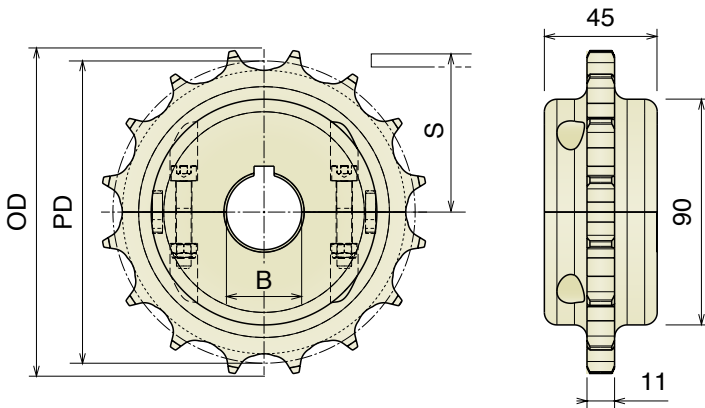
Viti: Acciaio inox/Screws: Stainless steel/Schrauben: Edelstahl

Dadi: ferro zincato/Nuts: zinc plated steel/Mutter: verzinkter Stahl

260-261 Ruota traino divisa, fresata Split drive sprocket, machined / geteiltes Antriebskettenrad, gefräst

Delivery: **Easy** **Standard**

Part	Article-Nr.	Z-	Bore	PD	OD	S
1541	154101	16	25	128,9	130,9	67,8
1541	154102		30			
1541	154103		35			
1541	154104		40			
1542	154201	18	25	144,8	146,8	75,7
1542	154202		30			
1542	154203		35			
1542	154204		40			
1543	154301	19	25	154,3	156,3	80,5
1543	154302		30			
1543	154303		35			
1543	154304		40			

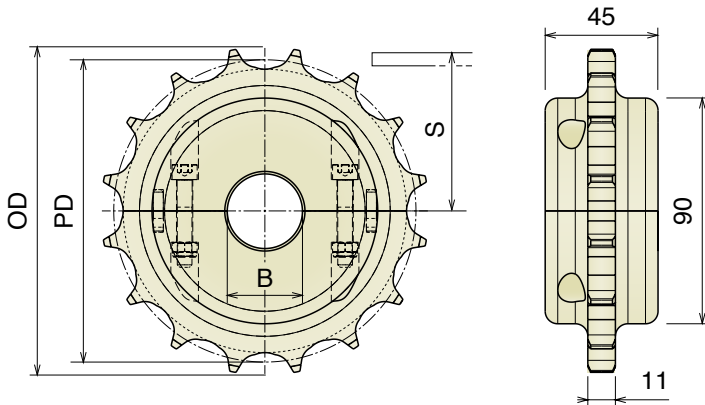


Ruota rinvio divisa, fresata Split idler sprocket, machined / geteiltes Umlenrad, gefräst



Part	Article-Nr.	Z-	Bore	PD	OD	S
1541	154150	16	18*	128,9	130,9	67,8
1541	154151		25			
1541	154152		30			
1541	154153		35			
1541	154154		40			
1542	154250	18	18*	144,8	146,8	75,7
1542	154251		25			
1542	154252		30			
1542	154253		35			
1542	154254		40			
1543	154350	19	18*	154,3	156,3	80,5
1543	154351		25			
1543	154352		30			
1543	154353		35			
1543	154354		40			

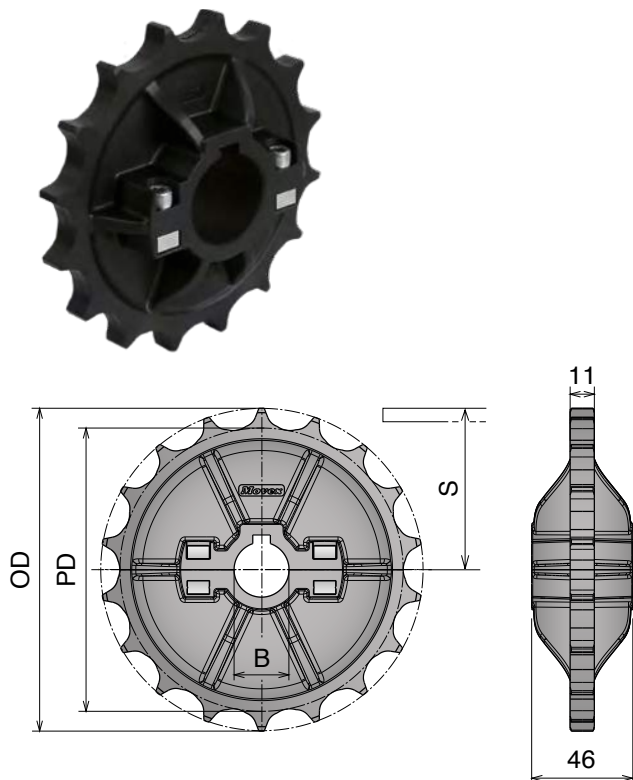
*Plain Bore



260-261

Ruota traino divisa, stampata
 Split drive sprocket, molded / geteiltes Antriebskettenrad, gespritzt

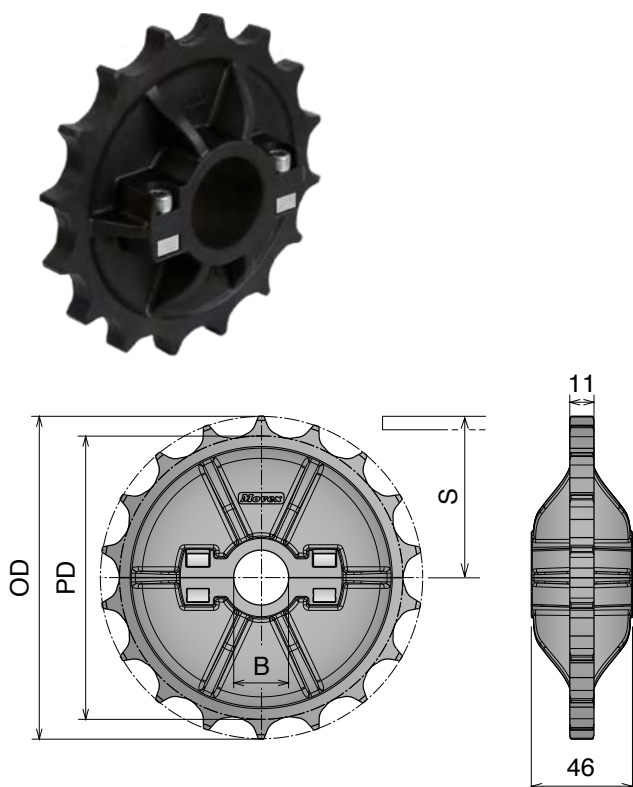
Delivery: **Easy** **Standard**



Part	Article-Nr.	Z-	Bore	PD	OD	S
1545	154501	16	25	128,9	130,9	67,8
1545	154502		30			
1545	154503		35			
1545	154504		40			
1545	154506		25*25	□		
1545	154507		30*30	□		
1545	154508		40*40	□		
1546	154601	18	25	144,8	146,8	75,7
1546	154602		30			
1546	154603		35			
1546	154604		40			
1546	154606		25*25	□		
1546	154607		30*30	□		
1546	154608		40*40	□		
1547	154701	19	25	154,3	156,3	80,5
1547	154702		30			
1547	154703		35			
1547	154704		40			
1547	154706		25*25	□		
1547	154707		30*30	□		
1547	154708		40*40	□		

Improved Design and Performance

Ruota rinvio divisa, stampata
 Split idler sprocket, molded / geteiltes Umlenkrad, gespritzt



Part	Article-Nr.	Z-	Bore	PD	OD	S
1545	154551	16	25	128,9	130,9	67,8
1545	154552		30			
1545	154553		35			
1545	154554		40			
1546	154651	18	25	144,8	146,8	75,7
1546	154652		30			
1546	154653		35			
1546	154654		40			
1547	154751	19	25	154,3	156,3	80,5
1547	154752		30			
1547	154753		35			
1547	154754		40			

Improved Design and Performance

Materiale / Material / Materialien:

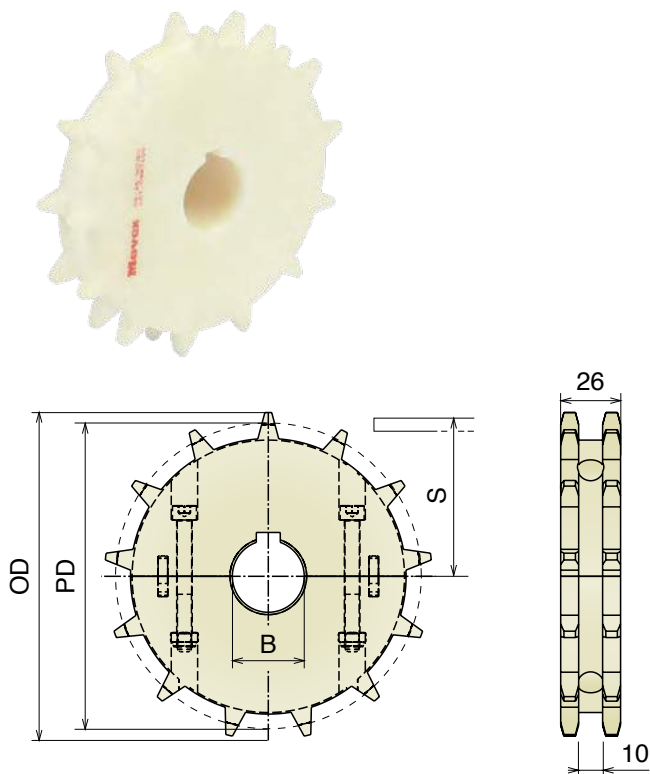
Poliamide/Polyamide/Polyamid

Viti: Acciaio inox/Screws: Stainless steel/Schrauben: Edelstahl

Dadi: ferro zincato/Nuts: zinc plated steel/Mutter: verzinkter Stahl

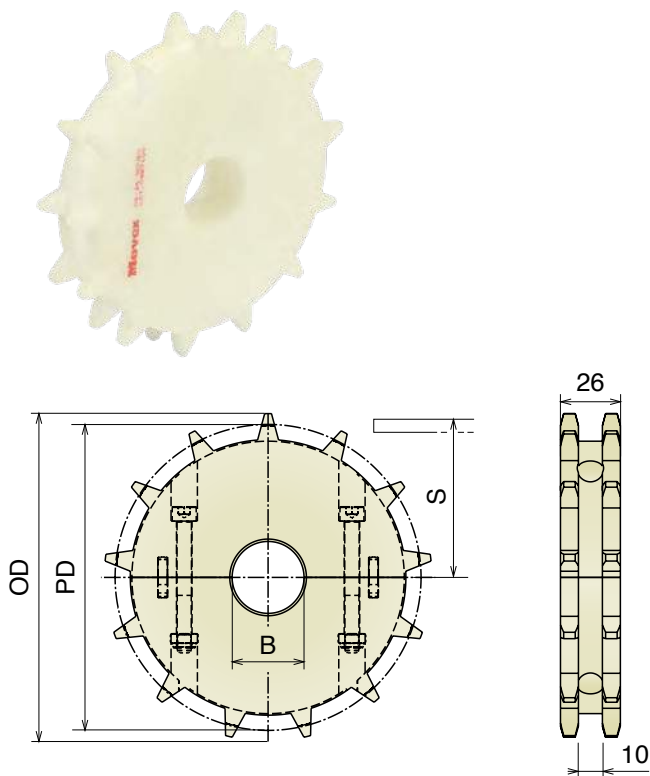
600 Ruota traino divisa, fresata
Split drive sprocket, machined / geteiltes Antriebskettenrad, gefräst

Part	Article-Nr.	Z-	Bore	PD	OD	S
1571	157101	10	25	102,8	107,7	45,0
1571	157102		30			
1571	157103		35			
1571	157104		40			
1572	157201	13	25	132,7	138,8	60,0
1572	157202		30			
1572	157203		35			
1572	157204		40			
1573	157301	15	25	152,7	159,4	70,0
1573	157302		30			
1573	157303		35			
1573	157304		40			
1574	157401	16	25	162,8	169,6	75,0
1574	157402		30			
1574	157403		35			
1574	157404		40			



Ruota rinvio divisa, fresata
Split idler sprocket, machined / geteiltes Umlenrad, gefräst

Part	Article-Nr.	Z-	Bore	PD	OD	S
1571	157150	10	18*	102,8	107,7	45,0
1571	157151		25			
1571	157152		30			
1571	157153		35			
1571	157154		40			
1572	157250	13	18*	132,7	138,8	60,0
1572	157251		25			
1572	157252		30			
1572	157253		35			
1572	157254		40			
1573	157350	15	18*	152,7	159,4	70,0
1573	157351		25			
1573	157352		30			
1573	157353		35			
1573	157354		40			
1574	157450	16	18*	162,8	169,6	75,0
1574	157451		25			
1574	157452		30			
1574	157453		35			
1574	157454		40			



*Plain Bore

600 Support sprocket/Split support roller

Ruote per tappeti / Belt sprockets / Kettenräder für Mattenketten

Material / Material / Materialien:

Poliamide/Polyamide/Polyamid

Viti: Acciaio inox/Screws: Stainless steel/Schrauben: Edelstahl

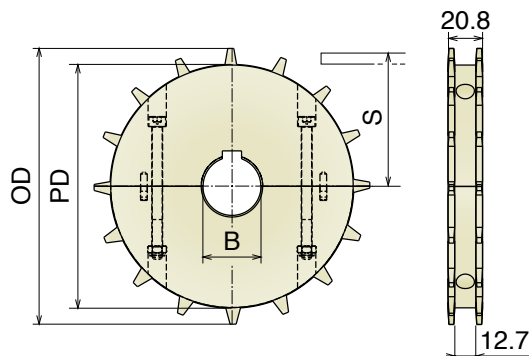
Dadi: ferro zincato/Nuts: zinc plated steel/Mutter: verzinkter stahl

600 Support sprocket

Ruota traino divisa, fresata

Split drive sprocket, machined / geteiltes Antriebskettenrad gefräst

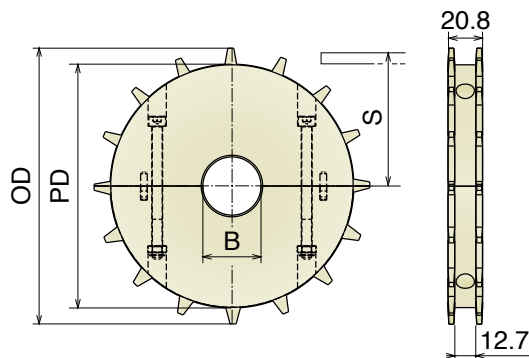
Designed to support Small radius section



Article-Nr.	Z-	Bore	PD	OD	S
157101SR	10	25	102,8	107,7	45,0
157102SR		30			
157103SR		35			
157104SR		40			
157201SR	13	25	132,7	138,8	60,0
157202SR		30			
157203SR		35			
157204SR		40			
157301SR	15	25	152,7	159,4	70,0
157302SR		30			
157303SR		35			
157304SR		40			
157401SR	16	25	162,8	169,6	75,0
157402SR		30			
157403SR		35			
157404SR		40			

Ruota rinvio divisa, fresata

Split idler sprocket, machined / geteiltes Umlenkrad, gefräst



Article-Nr.	Z-	Bore	PD	OD	S
157150SR	10	18*	102,8	107,7	45,0
157151SR		25			
157152SR		30			
157153SR		35			
157154SR		40			
157250SR	13	18*	132,7	138,8	60,0
157251SR		25			
157252SR		30			
157253SR		35			
157254SR		40			
157350SR	15	18*	152,7	159,4	70,0
157351SR		25			
157352SR		30			
157353SR		35			
157354SR		40			
157450SR	16	18*	162,8	169,6	75,0
157451SR		25			
157452SR		30			
157453SR		35			
157454SR		40			

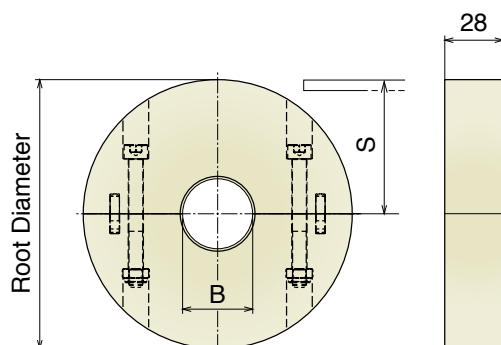
*Plain Bore

600 Split support roller

Ruota traino divisa, fresata

Split drive sprocket, machined / geteiltes Antriebskettenrad gefräst

Designed to support Small radius section



Article-Nr.	Z- eq.	Bore	Root Ø	S
157150R	10	18*	85,1	45,0
157151R		25		
157152R		30		
157153R		35		
157154R		40		
157250R	13	18*	115,0	60,0
157251R		25		
157252R		30		
157253R		35		
157254R		40		
157350R	15	18*	134,3	70,0
157351R		25		
157352R		30		
157353R		35		
157354R		40		
157450R	16	18*	146,8	75,0
157451R		25		
157452R		30		
157453R		35		
157454R		40		

TECHNICAL RECOMMENDATION:



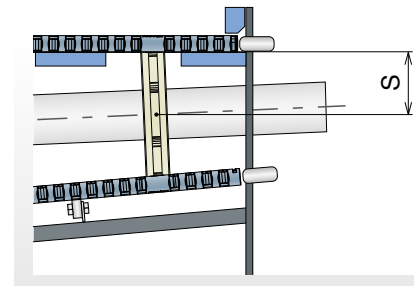
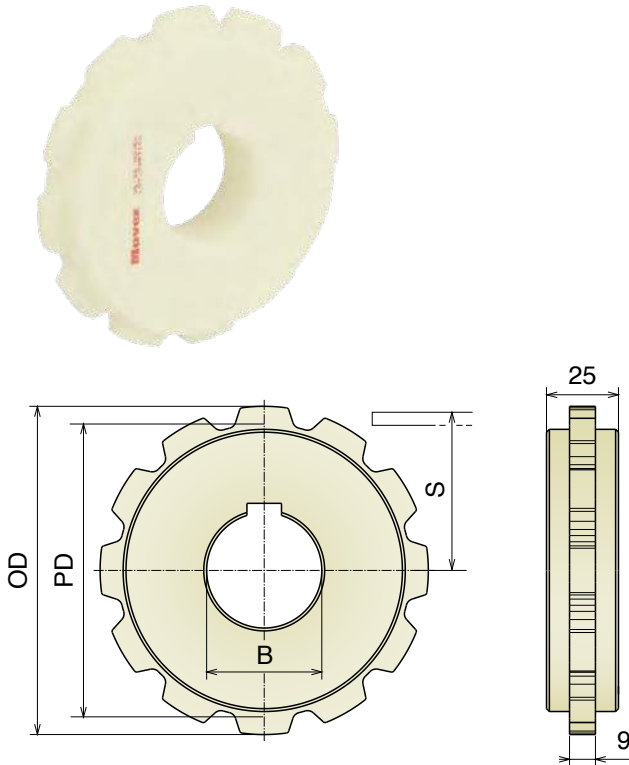
Fix Split support roller with split collars Part 215 Pag 357

ZERO CONTACT

Ruota traino, fresata
Drive sprocket, machined / Antriebskettenrad, gefräst

New

Part	Article-Nr.	Z-	Bore	R min.	PD	OD	S
1624	162401	12	40	650	58,0	61,0	25,6
1624	162402			750	66,0	69,0	29,9
1624	162403			850	76,0	79,0	34,2
1624	162404			950	84,0	86,0	38,5
1624	162405			1050	94,0	97,0	42,8
1624	162406			1150	102,0	104,0	47,1
1624	162407			1250	112,0	114,0	51,4
1624	162408			1350	119,0	122,0	55,7
1624	162409			1450	130,0	132,0	60,0
1624	162410			1550	137,0	140,0	64,3
1624	162411			1650	145,0	148,0	68,6
1624	162412			1750	144,0	157,0	72,9
1624	162413			1850	163,0	166,0	77,2
1624	162414			1950	171,0	174,0	81,5
1624	162415			2050	180,0	183,0	85,8
1624	162416			2150	189,0	192,0	90,1

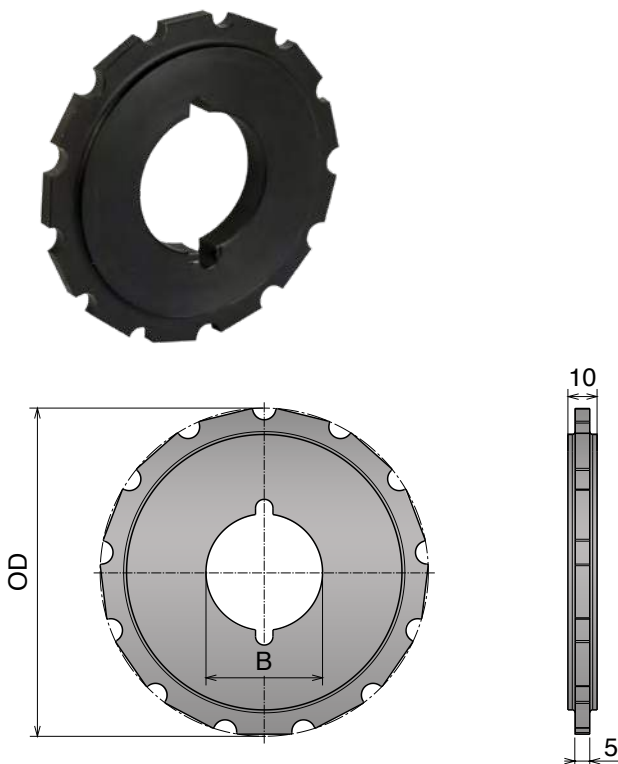


ZERO CONTACT PRO

Ruota traino, fresata
Drive sprocket, machined / Antriebskettenrad, gefräst

New

Part	Article-Nr.	Z-	Bore	OD
1633	163301	13	30	45,9
1633	163302		40	52,0
1633	163303			58,0
1633	163304			64,1
1633	163305			70,2
1633	163306			76,2
1633	163307			82,3
1633	163308			88,3
1633	163309			94,4
1633	163310			100,5
1633	163311			106,6
1633	163312			112,6
1633	163313			118,7
1633	163314			124,7
1633	163315			130,8
1633	163316			136,9
1633	163317			142,9



500 RR

Ruote per tappeti / Belt sprockets / Kettenräder für Mattenketten

Materiali / Material / Materialien:

Poliammide/Polyamide/Polyamid

Viti: Acciaio inox/Screws: Stainless steel/Schrauben: Edelstahl

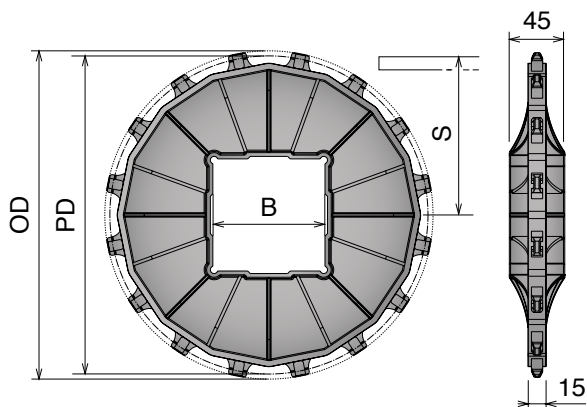
Dadi: ferro zincato/Nuts: zinc plated steel/Mutter: verzinkter Stahl

500 RR

Ruota traino, stampata

Drive sprocket, molded / Antriebskettenrad, gespritzt

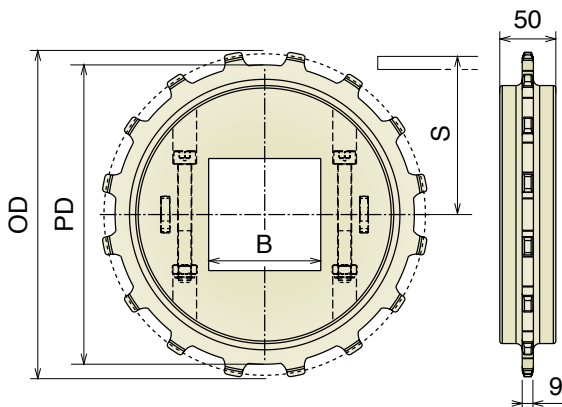
Delivery: **Easy** **Standard**



Part	Article-Nr.	Z-	Bore	PD	OD	S
1551	155104	10	Ø40	164,4	163,1	74,2
1551	155105		Ø50			
1551	155106		40x40			
1551	155107		60x60			
1551	155108		65x65			
1552	155204	12	Ø40	196,3	196,3	90,1
1552	155206		40x40			
1552	155207		60x60			
1552	155208		65x65			
1553	155311	13	Ø65	212,3	209,0	98,1
1553	155310		Ø90			
1553	155306		40x40			
1553	155307		60x60			
1553	155308		65x65			
1553	155309		90x90			
1559	155910	16	Ø90	260,4	262,0	122,3
1559	155905		Ø2,5"			
1559	155908		65x65			
1559	155909		90x90			
1559	155912		120x120			

Ruota traino, fresata

Drive sprocket, machined / Antriebskettenrad, gefräst



Part	Article-Nr.	Z-	Bore	PD	OD	S
1607	160704	10	Ø40	164,4	163,1	74,2
1607	160705		Ø50			
1607	160706		40x40			
1607	160707		60x60			
1607	160708		65x65			
1608	160804	12	Ø40	196,3	196,3	90,1
1608	160806		40x40			
1608	160807		60x60			
1608	160808		65x65			
1609	160911	13	Ø65	212,3	209,0	98,1
1609	160910		Ø90			
1609	160906		40x40			
1609	160907		60x60			
1609	160908		65x65			
1609	160909		90x90			
1610	161010	16	Ø90	260,4	262,0	122,3
1610	161005		Ø2,5"			
1610	161008		65x65			
1610	161009		90x90			
1610	161012E		120x120			

Materiale / Material / Materialien:

Resina acetica/Acetal resin/Azetal

Viti: Acciaio inox/Screws: Stainless steel/Schrauben: Edelstahl

Dadi: Acciaio inox/Nuts: Stainless steel/Mutter: Edelstahl

500 RR Split Version

Ruote per tappeti / Belt sprockets / Kettenräder für Mattenketten

500 RR Split Version

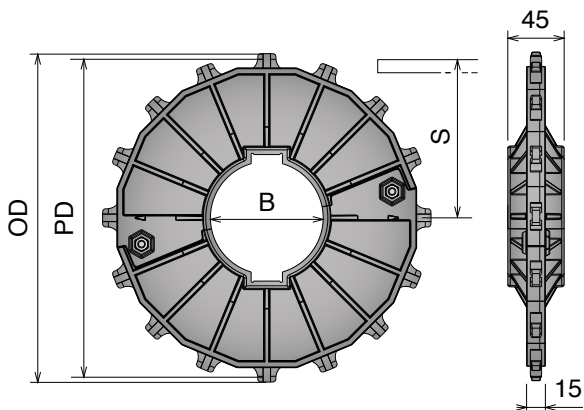
Ruota traino, stampata/Drive sprocket, molded / Antriebskettenrad, gespritzt

Delivery:	Easy	Standard	Part	Article-Nr.	Z-	Bore	PD	OD	S
			1558	155810	16	Ø 90 with double keyway	260,4	262,0	122,3

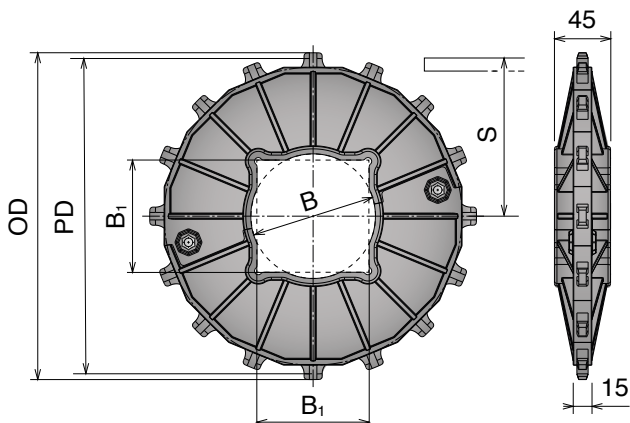


Advantages:

- ▶ Easy Clean
- ▶ Easy installation
- ▶ Heavy duty design

**Ruota rinvio divisa, stampata***Split idler sprocket, molded / geteiltes Umlenkrad, gespritzt*

Part	Article-Nr.	Z-	Bore (B)	Bore (B ₁ x B ₂)	PD	OD	S
1558	155809	16	Ø 100	90 x 90	260,4	262,0	122,3



BluLub è un nuovo materiale ad alte prestazioni composto da lubrificanti solidi di ultima generazione UHMW-PE. **BluLub** migliora il limite PV rispetto allo standard UHMW-PE, soprattutto nelle applicazioni dove la lubrificazione è limitata o assente e le velocità e/o i carichi sono elevati. **BluLub** ti fa consumare meno energia e con un basso coefficiente di attrito, migliora la stabilità del prodotto, l'usura della catene e de nastri modulari allungandone la vita utile.

BluLub is a new high-performance compounded UHMW-PE material with the latest generation of solid lubricants. **BluLub** contributes to improve PV-properties compared to standard UHMW-PE, especially in applications with limited lubrication, higher speeds and/or higher loads. **BluLub** requires less energy and with the lower coefficient of friction, improves the product stability and wear life of chains and modular belts.

BluLub ist ein neues High-Performance UHMW-PE Material mit der neuesten Generation von festen Schmierstoffen. **BluLub** trägt dazu bei die PV-Eigenschaften im Vergleich zu Standard-UHMW-PE zu verbessern, vor allem in Anwendungen mit begrenzter Schmierung, höheren Geschwindigkeiten und / oder höheren Lasten. Mit **BluLub** wird weniger Energie benötigt. Mit dem niedrigeren Reibungskoeffizienten, verbessert sich die Produktstabilität. Die Standzeiten von Ketten und Modulbändern werden erhöht.

Properties:

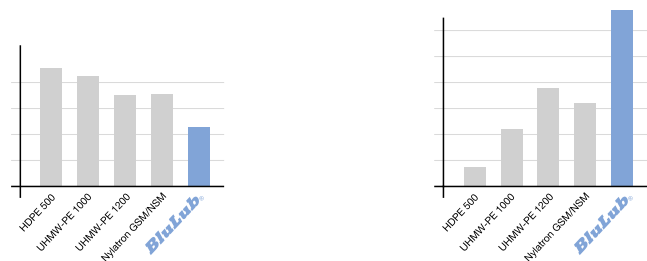
- UHMW-PE Polyethylene with molecular density 5,600,000 g/mol or 9,200,000 g/mol.
- Operating temperature: -40 to 176°F (-40 to + 80°C)
- BluLub complies with the Code of Federal Regulations of FDA

Advantages:

- Running dry
- High speed
- Reduced noise and squeaking
- Lower Coefficient of Friction
- Lower wear
- Less energy consumption
- Minimal moisture absorption
- Smooth and quiet chain running

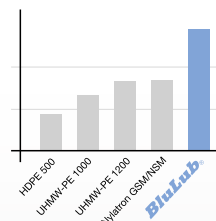
Vorteile

- Trockenlauf
- Hohe Geschwindigkeit
- Reduzierte Geräuschentwicklung und kein "Quietschen"
- Niedrigerer Reibwert
- Geringerer Verschleiß
- Weniger Energieverbrauch
- Minimale Feuchtigkeitsaufnahme
- Ruhiger Lauf der Kette

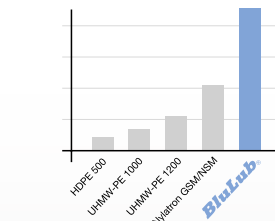


Coefficient of friction (average)

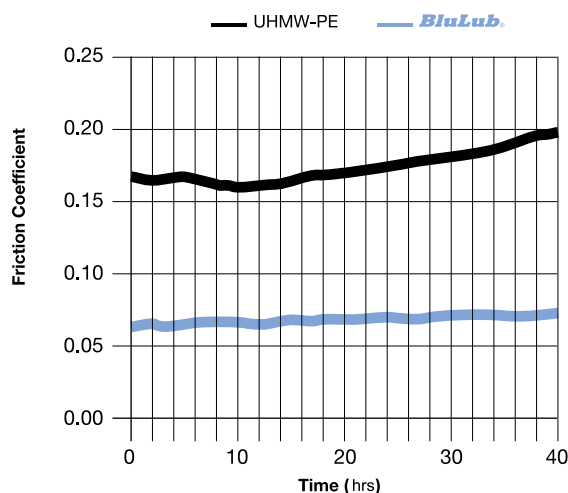
Relative wearlife



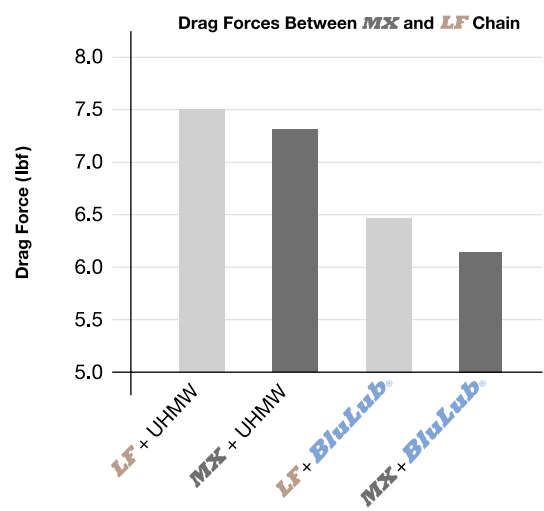
Max speed
max. recommended surface speed (dry-acetal LF chain)



PV-limit



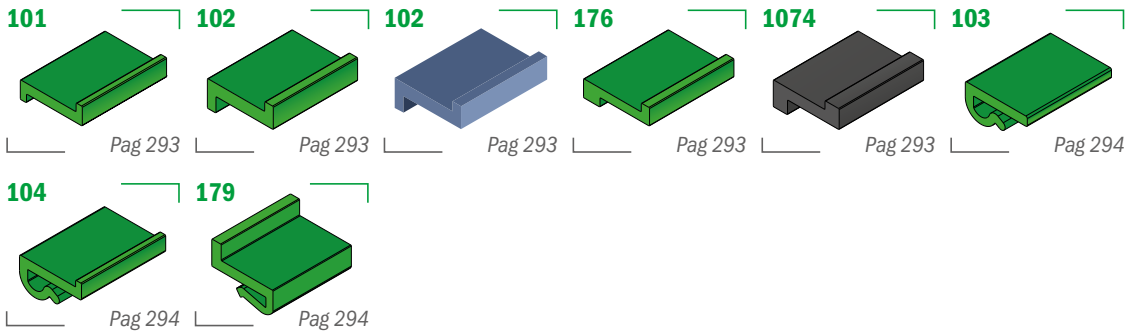
Less Friction Compared to UHMW-PE



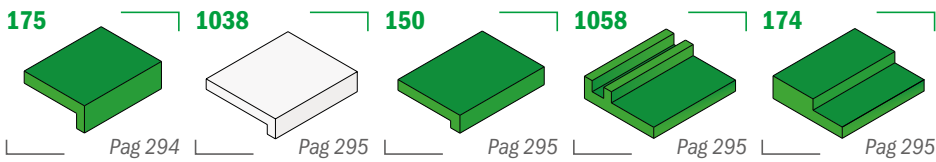
Chain / Wear Strip Configuration



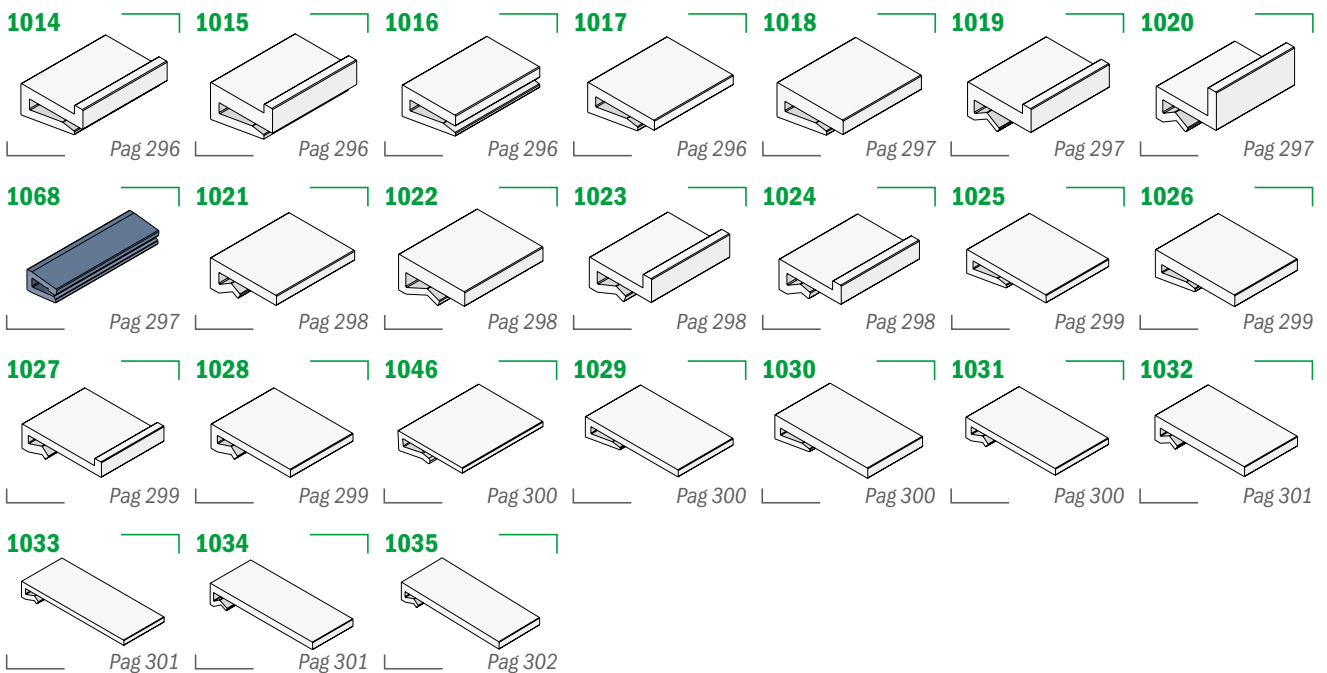
Z-Profile



L-Profile

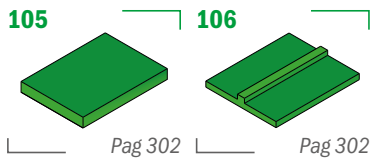


J-Profile

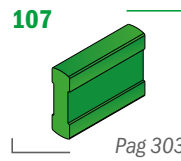


Extruded Profiles

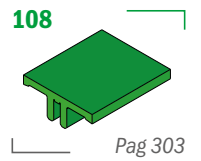
Flat profile



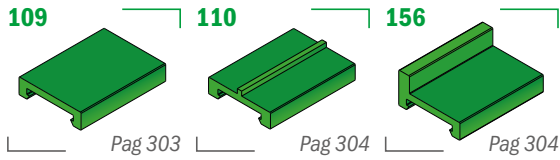
Wear strip



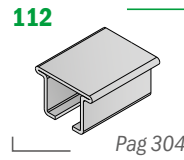
T-profile



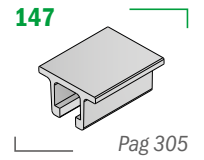
Flat clip-on



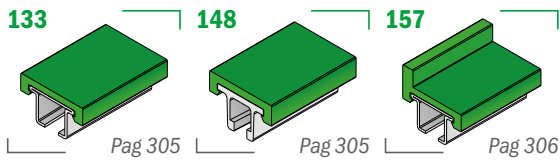
Stainless steel profile



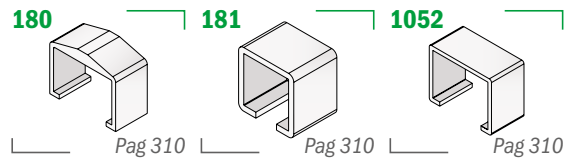
Aluminum profile



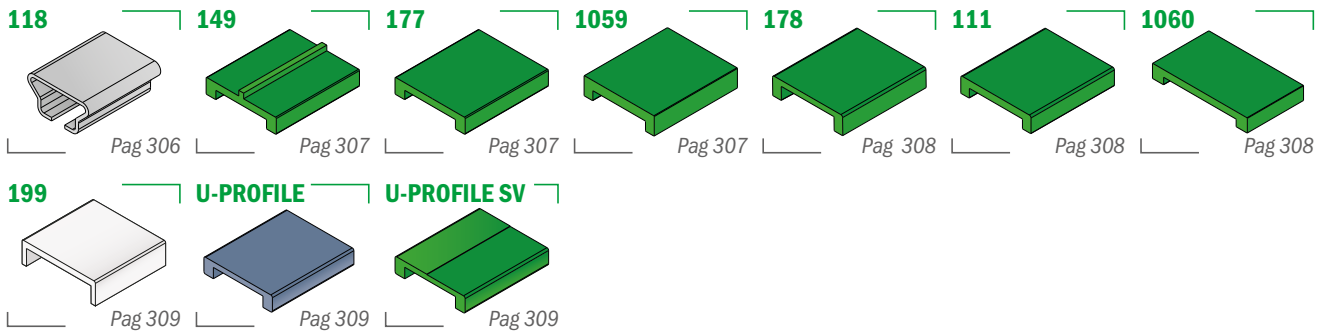
Profile assembled clip-on



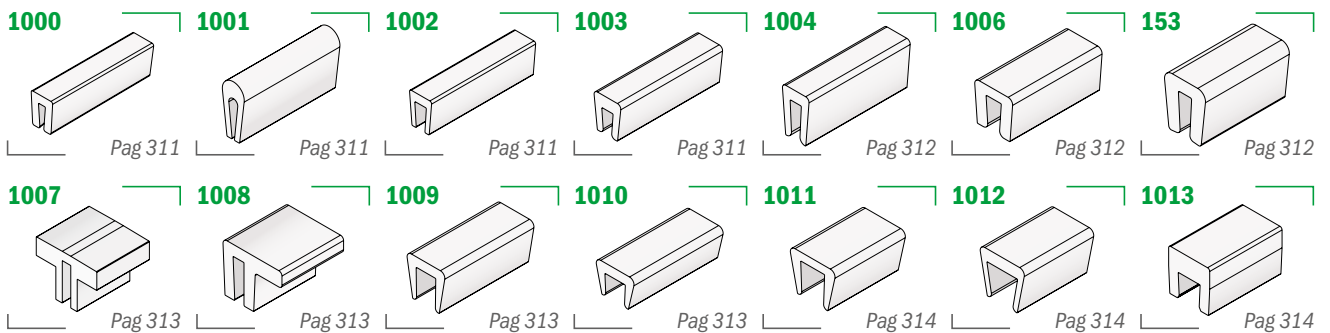
Bar cover



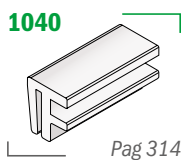
D-Profile and U-profile



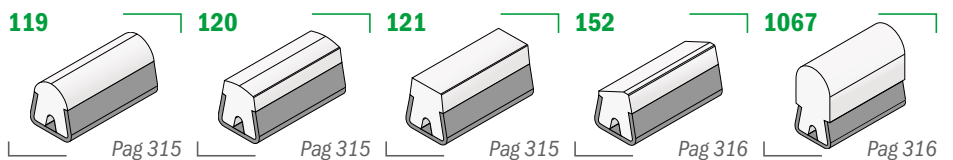
Bar cap



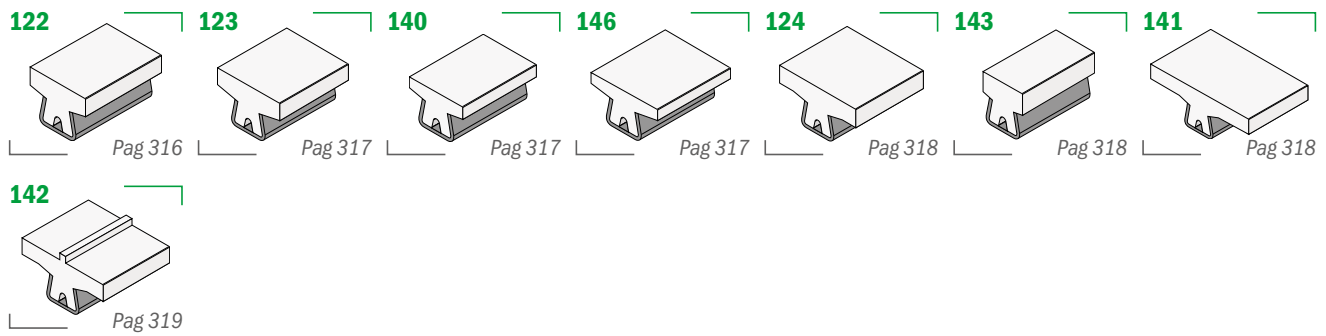
Belt side guide



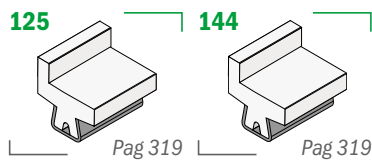
Guide rail



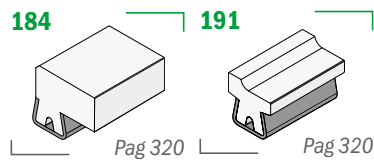
Guide rail T-shape



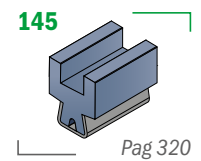
Guide rail L-shape



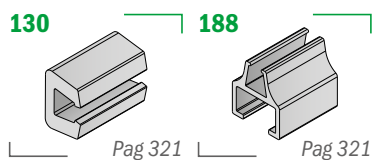
Guide rail for chain and Guide rail for label protection



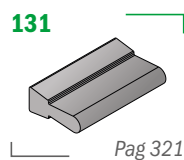
Belt side guide



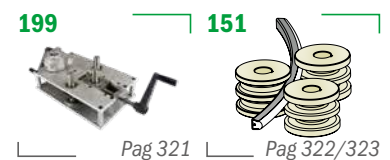
Aluminum rail for bottle guide



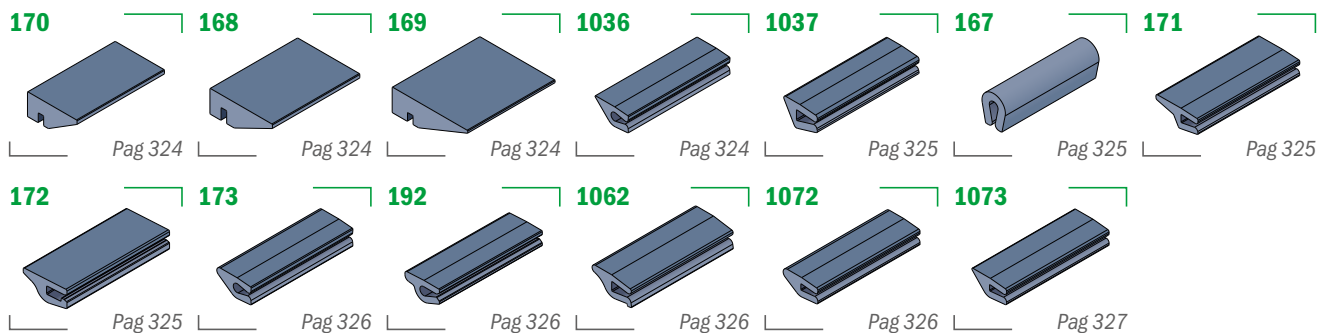
Plastic rail for bottle guide



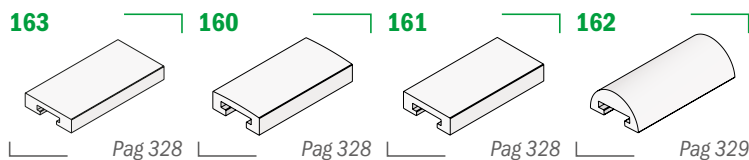
Bending machine and Roller



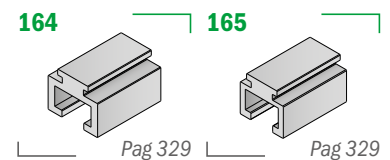
Neck guide



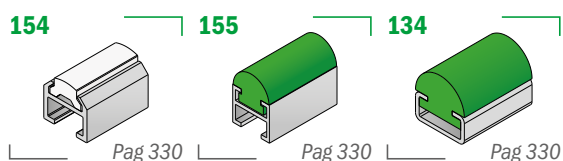
Profile for aluminum guide



Aluminum guide

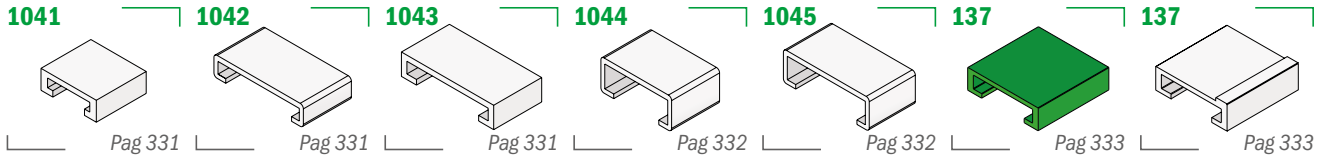


Side and Standard guide rail

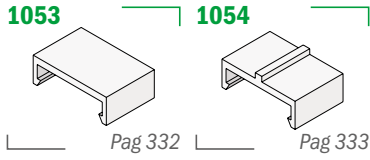


Extruded Profiles

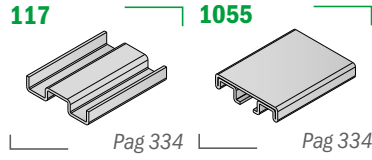
C-Profile



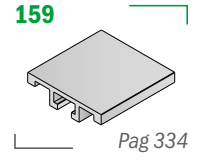
Bar cover



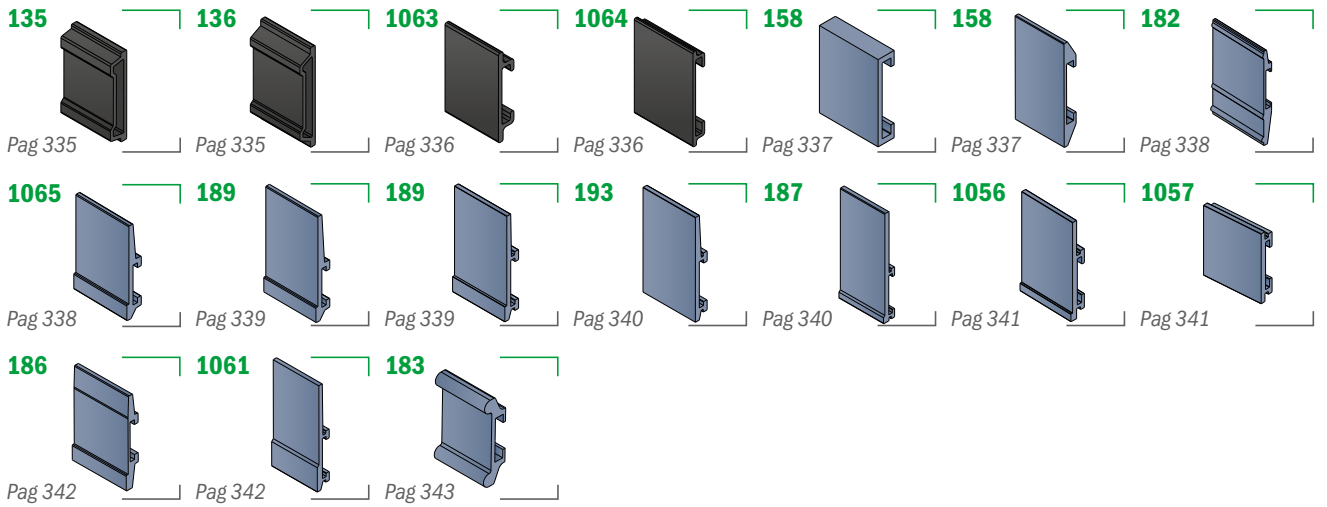
Stainless steel guide



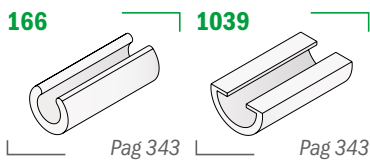
Aluminum guide



Side guide rail



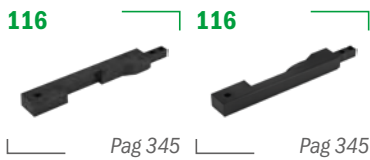
Profile for steel rods



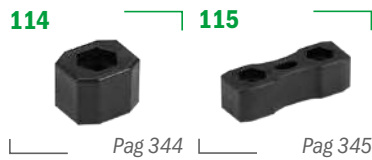
Central wear strip shoe



Side transfer guide shoe



Fixing clamp



Connecting element

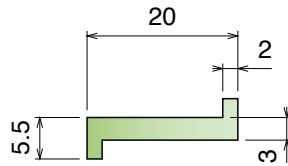
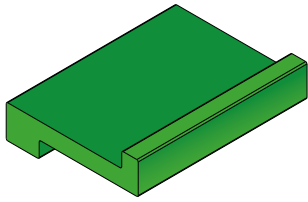


Material:

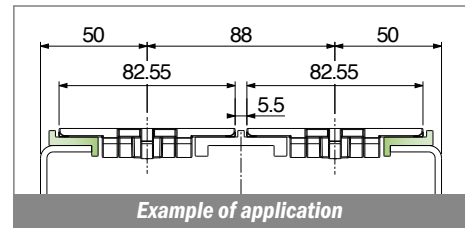
Polyethylene UHMW-PE with molecular density 5,600,000 g/mol
 Linear expansion coefficient: $1.1 \times 10^{-4} \text{ } ^\circ\text{F}^{-1}$ ($2 \times 10^{-4} \text{ } ^\circ\text{C}^{-1}$)
 Operating temperature: -40 to 176°F (-40 to +80°C)

101 Profilo "Z" / Z-Profile / Z-Profil

Delivery: **Easy** **Standard** On request available in white color

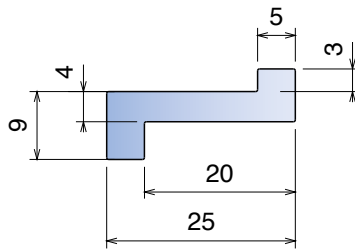
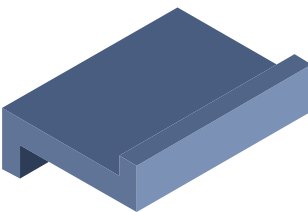
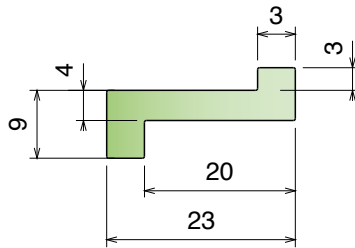
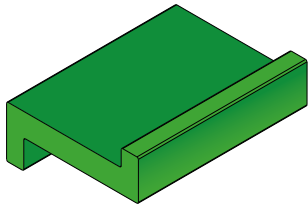


Part	Article-Nr.	Colour	Availability	Supply
101	10101	black	Stock item	60 m coils
101	10102	green	Stock item	60 m coils



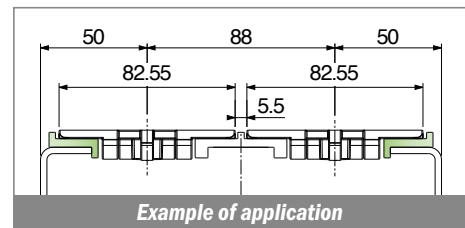
102 Profilo Z-clip rinforzato / Z-clip profile reinforced / Z Profil verstärkt

Delivery: **Easy** **Standard** On request available in white color



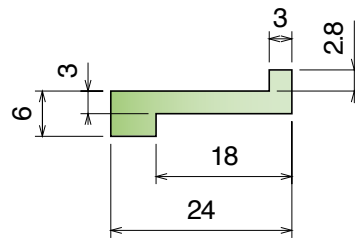
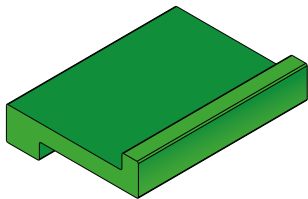
Part	Article-Nr.	Colour	Availability	Supply
102	10201	black	Stock item	60 m coils
102	10202	green	Stock item	60 m coils
102	10202B	BluLub	Stock item	60 m coils

Part	Article-Nr.	Colour	Availability	Supply
102	10297	black	Stock item	60 m coils
102	10298	green	Stock item	60 m coils
102	10299B	BluLub	Stock item	60 m coils

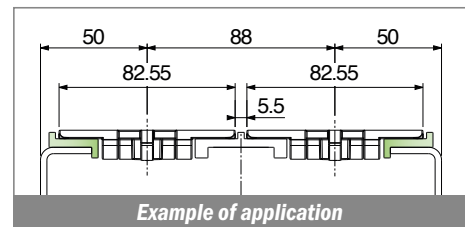


176 Profilo "Z" / Z-Profile / Z-Profil

On request available in white color

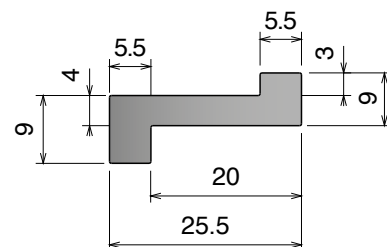
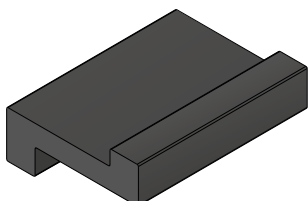


Part	Article-Nr.	Colour	Availability	Supply
176	17601	black	Stock item	60 m coils
176	17602	green	Stock item	60 m coils

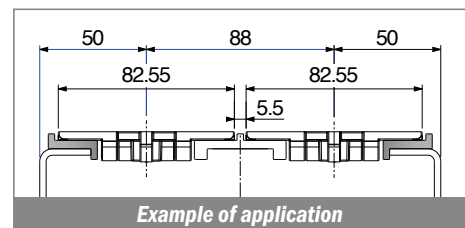


1074 Profilo "Z" / Z-Profile / Z-Profil

On request available in white color



Part	Article-Nr.	Colour	Availability	Supply
1074	107401	black	Stock item	60 m coils

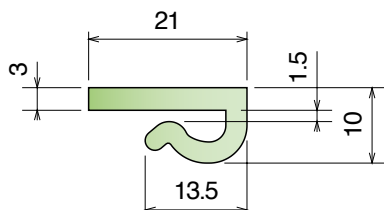
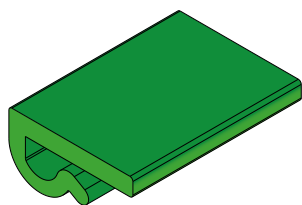


Material:

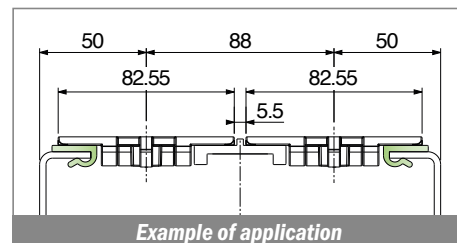
Polyethylene UHMW-PE with molecular density 5,600,000 g/mol
 Linear expansion coefficient: $1.1 \times 10^{-4} \text{ } ^\circ\text{F}^{-1}$ ($2 \times 10^{-4} \text{ } ^\circ\text{C}^{-1}$)
 Operating temperature: -40 to 176°F (-40 to +80°C)

103 Profilo Z-clip senza bordo / Z-clip profile without nose / Z Profil ohne Nase

Delivery: **Easy** **Standard** Fit on 2,5 to 3,5 mm

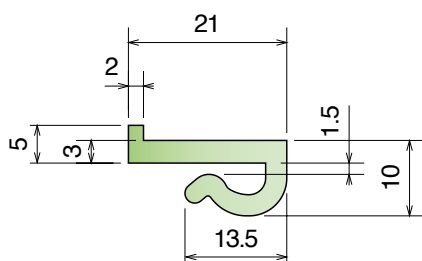
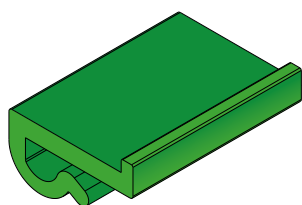


Part	Article-Nr.	Colour	Availability	Supply
103	10301	black	Stock item	60 m coils
103	10302	green	Stock item	60 m coils
103	10303	white	Stock item	60 m coils
103	10300B-30	BluLub	Stock item	30 m coils

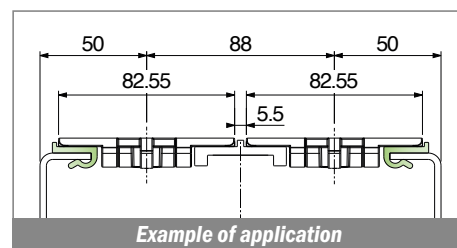


104 Profilo Z-clip con bordo / Z-clip profile with nose / Z Profil mit Nase

Delivery: **Easy** **Standard** Fit on 2,5 to 3,5 mm

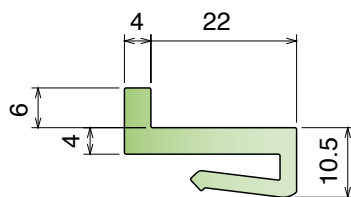
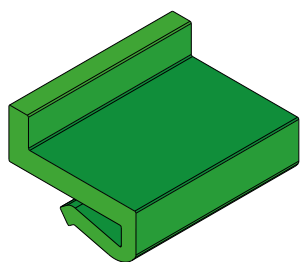


Part	Article-Nr.	Colour	Availability	Supply
104	10401	black	Stock item	60 m coils
104	10402	green	Stock item	60 m coils
104	10403	white	Stock item	60 m coils
103	10400B	BluLub	Stock item	30 m coils

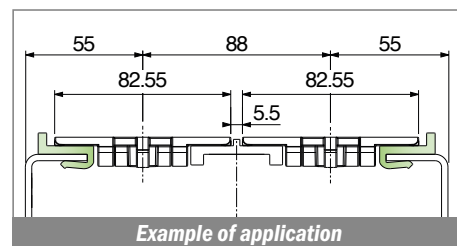


179 Profilo Z-clip con bordo / Z-clip profile with nose / Z Profil mit Nase

Delivery: **Easy** **Standard** On request available in white color | Fit on 2,5 to 3,5 mm

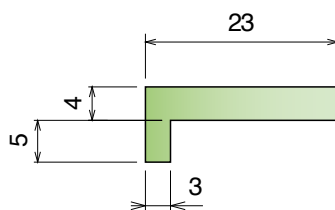
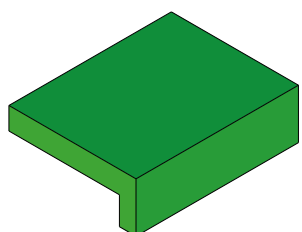


Part	Article-Nr.	L	Colour	Availability	Supply
179	17901C	3 m	black	Stock item	3 m bars
179	17901	6 m	black	On request	6 m bars
179	17902C	3 m	green	Stock item	3 m bars
179	17902	6 m	green	On request	6 m bars
179	17902-60	60 m	green	Stock item	60 m coils

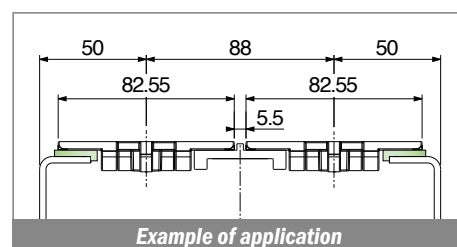


175 Profilo "L" / L-Profile / L-Profil

On request available in white color



Part	Article-Nr.	Colour	Availability	Supply
175	17501	black	Stock item	60 m coils
175	17502	green	Stock item	60 m coils

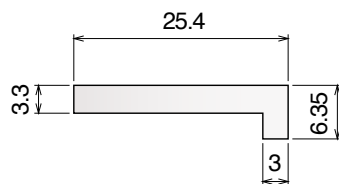
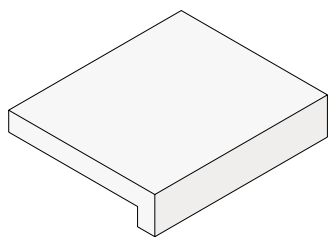


Material:

Polyethylene UHMW-PE with molecular density 5,600,000 g/mol
 Linear expansion coefficient: $1.1 \times 10^{-4} \text{ } ^\circ\text{F}^{-1}$ ($2 \times 10^{-4} \text{ } ^\circ\text{C}^{-1}$)
 Operating temperature: -40 to 176°F (-40 to +80°C)

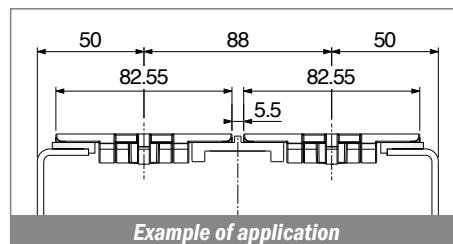
1038

Profilo "L" / L-Profile / L-Profil



North America STANDARD

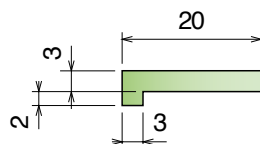
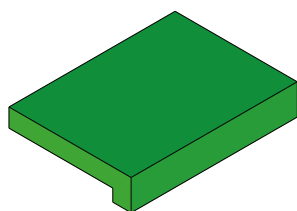
Part	Article-Nr.	L	Colour	Availability	Supply
1038	103803	60 m	white	On request	60 m coils



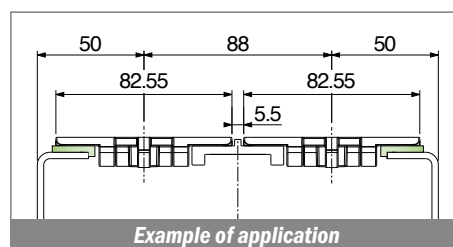
150

Profilo "L" / L-Profile / L-Profil

Delivery: **Easy** **Standard** On request available in white color



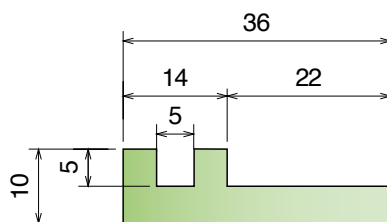
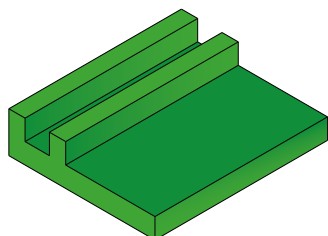
Part	Article-Nr.	Colour	Availability	Supply
150	15001	black	Stock item	60 m coils
150	15002	green	Stock item	60 m coils



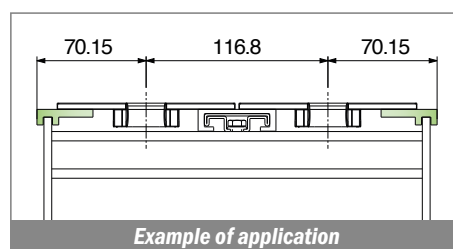
1058

Profilo "L" / L-Profile / L-Profil

On request available in white color



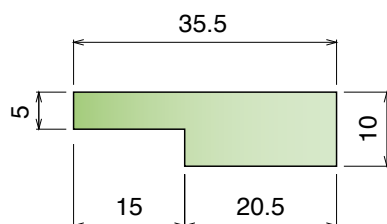
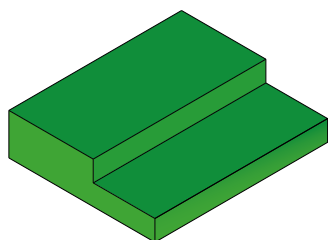
Part	Article-Nr.	L	Colour	Availability	Supply
1058	105801C	3 m	black	Stock item	3 m bars
1058	105801	6 m	black	On request	6 m bars
1058	105802C	3 m	green	Stock item	3 m bars
1058	105802	6 m	green	On request	6 m bars



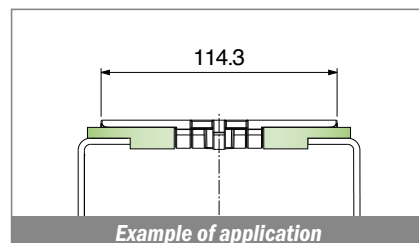
174

Profilo "L" / L-Profile / L-Profil

On request available in white color



Part	Article-Nr.	L	Colour	Availability	Supply
174	17401C	3 m	black	Stock item	3 m bars
174	17401	6 m	black	On request	6 m bars
174	17402C	3 m	green	Stock item	3 m bars
174	17402	6 m	green	On request	6 m bars



1014-1015-1016-1017

Guide estruse / Extruded profiles / Extrudiertes Profil

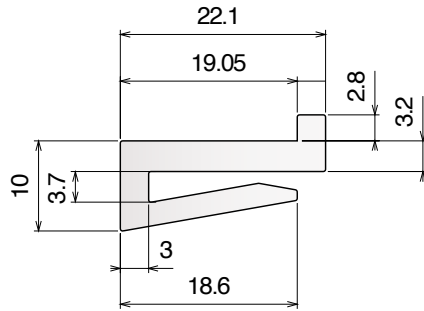
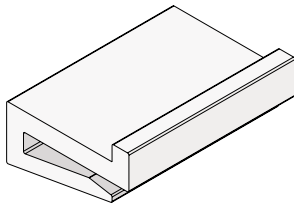
Material:

Polyethylene UHMW-PE with molecular density 5,600,000 g/mol
 Linear expansion coefficient: $1.1 \times 10^{-4} \text{ } ^\circ\text{F}^{-1}$ ($2 \times 10^{-4} \text{ } ^\circ\text{C}^{-1}$)
 Operating temperature: -40 to 176°F (-40 to +80°C)

1014

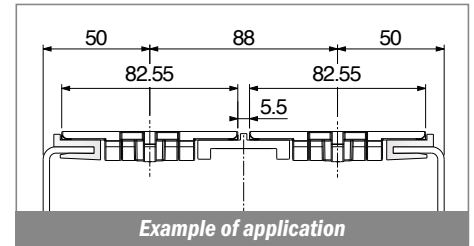
Profilo J-Leg 19.05 / J-Leg Profile 19.05 / J Profil mit Nase 19.05

Fit on 3 mm



North America STANDARD

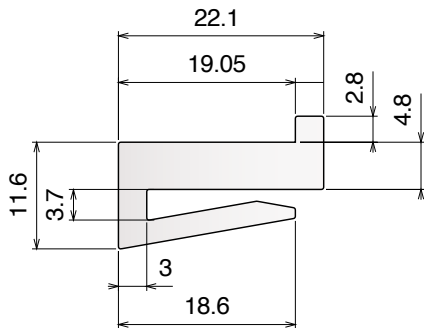
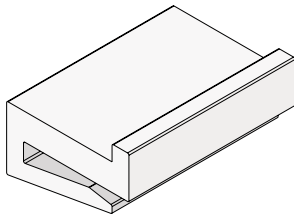
Part	Article-Nr.	L	Colour	Availability	Supply
1014	101403C	3 m	white	On request	3 m bars
1014	101403	6 m	white	On request	6 m bars



1015

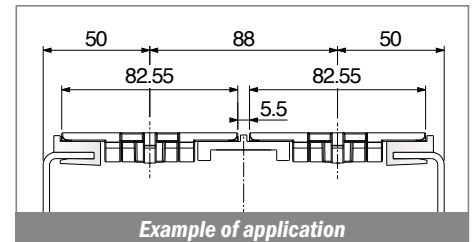
Profilo J-Leg 19.05 / J-Leg Profile 19.05 / J Profil mit Nase 19.05

Fit on 3 mm



North America STANDARD

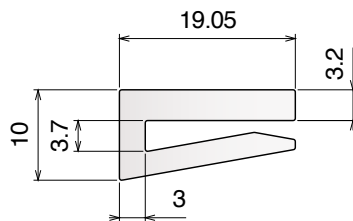
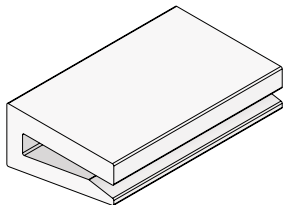
Part	Article-Nr.	L	Colour	Availability	Supply
1015	101503C	3 m	white	On request	3 m bars
1015	101503	6 m	white	On request	6 m bars



1016

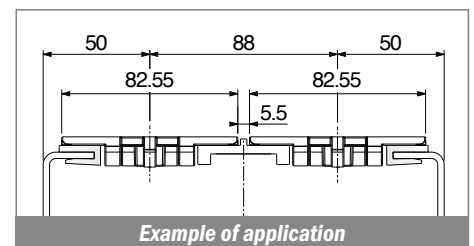
Profilo J-Leg 19.05 / J-Leg Profile 19.05 / J Profil 19.05

Delivery: **Easy** **Standard** Fit on 3 mm



North America STANDARD

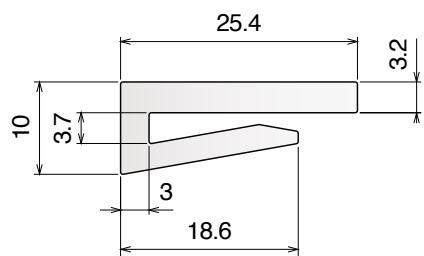
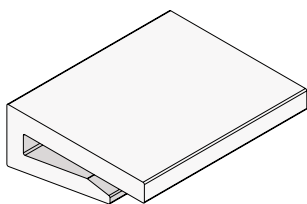
Part	Article-Nr.	L	Colour	Availability	Supply
1016	101603C	3 m	white	On request	3 m bars
1016	101603	6 m	white	On request	6 m bars
1016	101603-30	30 m	white	On request	30 m coils



1017

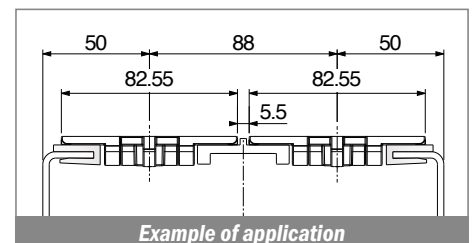
Profilo J-Leg 25.4 / J-Leg Profile 25.4 / J Profil 25.4

Delivery: **Easy** **Standard** Fit on 3 mm



North America STANDARD

Part	Article-Nr.	L	Colour	Availability	Supply
1017	101703C	3 m	white	On request	3 m bars
1017	101703	6 m	white	On request	6 m bars
1017	101703-30	30 m	white	On request	30 m coils
1017	101703-75	75 m	white	On request	75 m coils



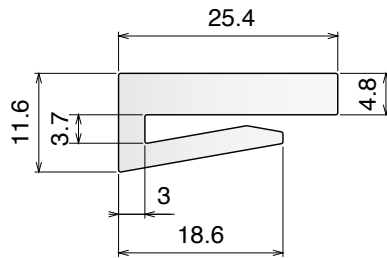
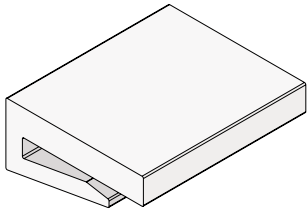
Material:

Polyethylene UHMW-PE with molecular density 5,600,000 g/mol
 Linear expansion coefficient: $1.1 \times 10^{-4} \text{ } ^\circ\text{F}^{-1}$ ($2 \times 10^{-4} \text{ } ^\circ\text{C}^{-1}$)
 Operating temperature: -40 to 176°F (-40 to +80°C)

1018

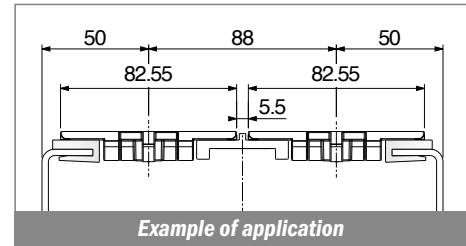
Profilo J-Leg 25.4 / J-Leg Profile 25.4 / J Profil 25.4

Fit on 3 mm



North America STANDARD

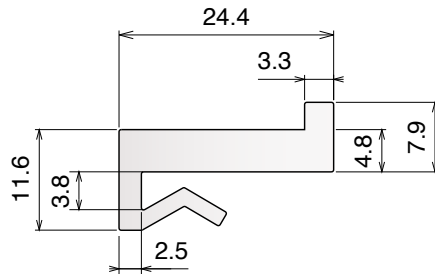
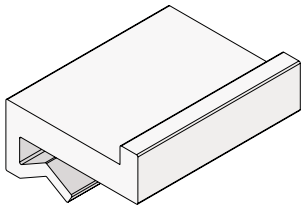
Part	Article-Nr.	L	Colour	Availability	Supply
1018	101803C	3 m	white	On request	3 m bars
1018	101803	6 m	white	On request	6 m bars



1019

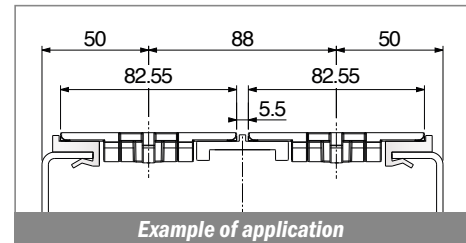
Profilo J-Leg 25.4 / J-Leg Profile 25.4 / J Profil 25.4

Fit on 3 mm



North America STANDARD

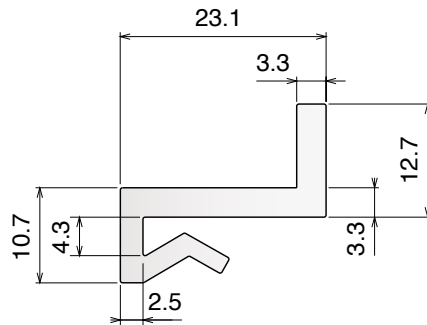
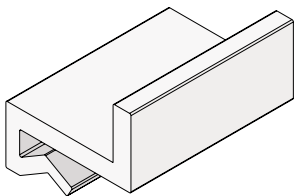
Part	Article-Nr.	L	Colour	Availability	Supply
1019	101903C	3 m	white	On request	3 m bars
1019	101903	6 m	white	On request	6 m bars



1020

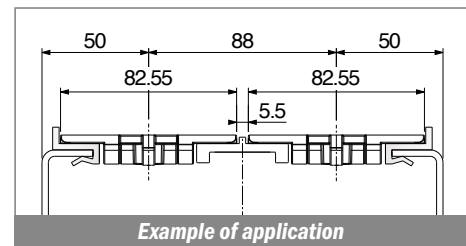
Profilo J-Leg 25.4 / J-Leg Profile 25.4 / J Profil 25.4

Fit on 3 mm



North America STANDARD

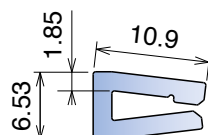
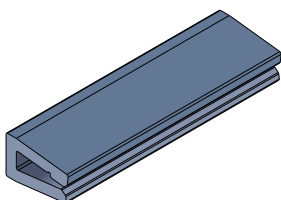
Part	Article-Nr.	L	Colour	Availability	Supply
1020	102003C	3 m	white	On request	3 m bars
1020	102003	6 m	white	On request	6 m bars



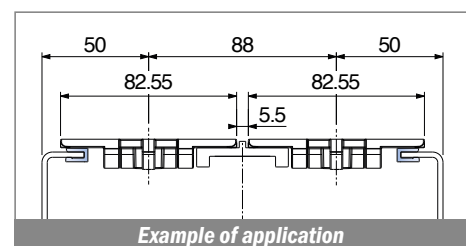
1068

Guida collo / Neck guide / Nackenführung

Fit on 1.8 - 2 mm



Part	Article-Nr.	L	Material	Availability	Supply
1068	106800B	30 m	BluLub	Stock item	30 m coils



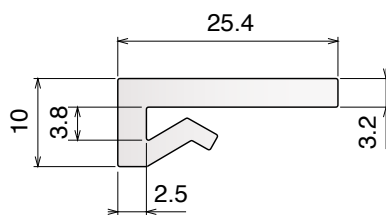
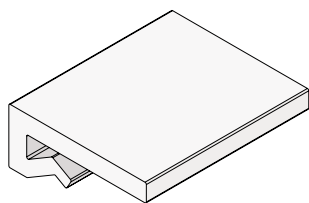
Material:

Polyethylene UHMW-PE with molecular density 5,600,000 g/mol
 Linear expansion coefficient: $1.1 \times 10^{-4} \text{ } ^\circ\text{F}^{-1}$ ($2 \times 10^{-4} \text{ } ^\circ\text{C}^{-1}$)
 Operating temperature: -40 to 176°F (-40 to +80°C)

1021

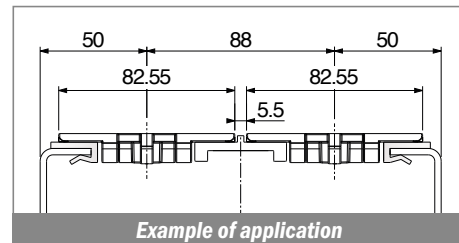
Profilo J-Leg 25.4 / J-Leg Profile 25.4 / J Profil 25.4

Fit on 3 mm



North America STANDARD

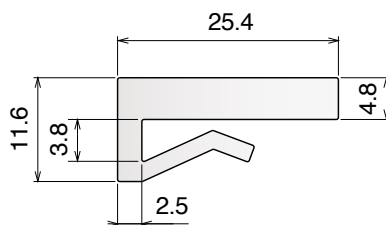
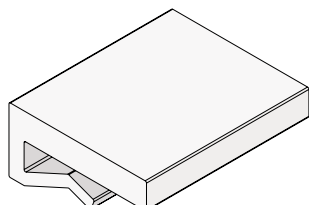
Part	Article-Nr.	L	Colour	Availability	Supply
1021	102103C	3 m	white	On request	3 m bars
1021	102103	6 m	white	On request	6 m bars
1021	102103-30	30 m	white	On request	30 m coils
1021	102103-75	75 m	white	On request	75 m coils



1022

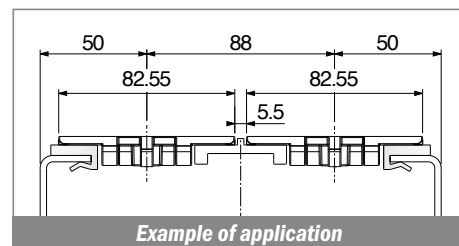
Profilo J-Leg 25.4 / J-Leg Profile 25.4 / J Profil 25.4

Fit on 3 mm



North America STANDARD

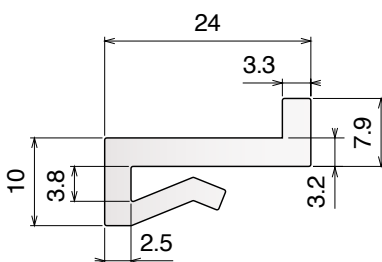
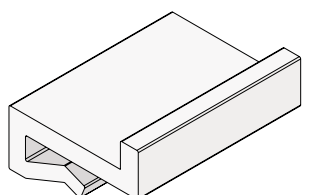
Part	Article-Nr.	L	Colour	Availability	Supply
1022	102203C	3 m	white	On request	3 m bars
1022	102203	6 m	white	On request	6 m bars
1022	102203-30	30 m	white	On request	30 m coils



1023

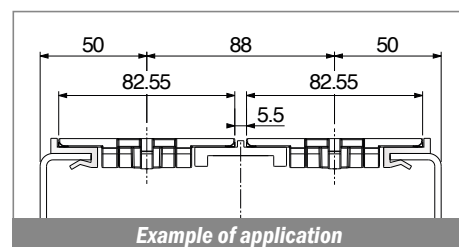
Profilo J-Leg 25.4 / J-Leg Profile 25.4 / J Profil 25.4

Fit on 3 mm



North America STANDARD

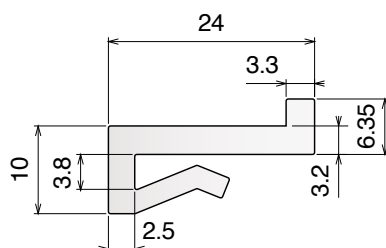
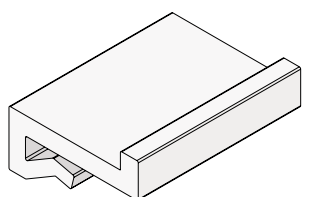
Part	Article-Nr.	L	Colour	Availability	Supply
1023	102303C	3 m	white	On request	3 m bars
1023	102303	6 m	white	On request	6 m bars



1024

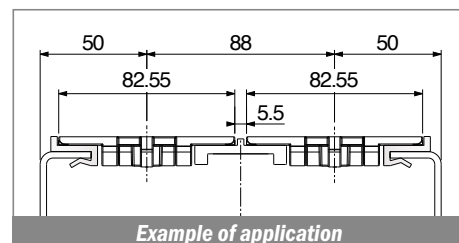
Profilo J-Leg 25.4 / J-Leg Profile 25.4 / J Profil 25.4

Fit on 3 mm



North America STANDARD

Part	Article-Nr.	L	Colour	Availability	Supply
1024	102403C	3 m	white	On request	3 m bars
1024	102403	6 m	white	On request	6 m bars
1024	102403-30	30 m	white	On request	30 m coils
1024	102402	6 m	green	On request	6 m bars



Material:

Polyethylene UHMW-PE with molecular density 5,600,000 g/mol
 Linear expansion coefficient: $1.1 \times 10^{-4} \text{ } ^\circ\text{F}^{-1}$ ($2 \times 10^{-4} \text{ } ^\circ\text{C}^{-1}$)
 Operating temperature: -40 to 176°F (-40 to +80°C)

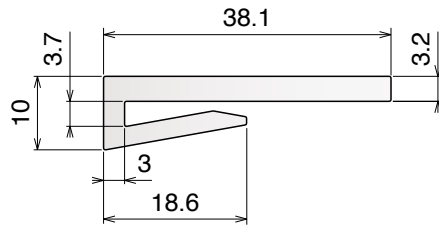
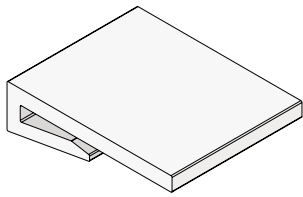
1025-1026-1027-1028

Guide estruse / Extruded profiles / Extrudiertes profil

1025

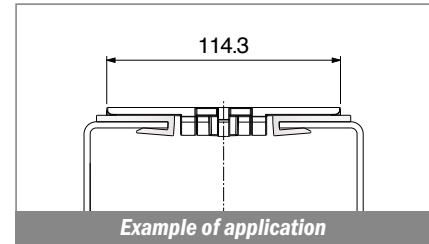
Profilo J-Leg 38.1 / J-Leg Profile 38.1 / J Profil 38.1

Fit on 3 mm



North America STANDARD

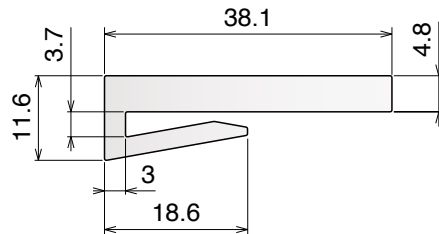
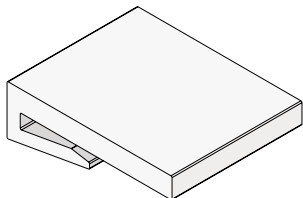
Part	Article-Nr.	L	Colour	Availability	Supply
1025	102503C	3 m	white	On request	3 m bars
1025	102503	6 m	white	On request	6 m bars
1025	102503-30	30 m	white	On request	30 m coils



1026

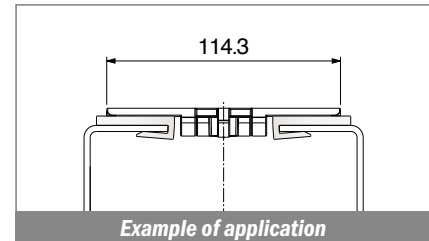
Profilo J-Leg 38.1 / J-Leg Profile 38.1 / J Profil 38.1

Fit on 3 mm



North America STANDARD

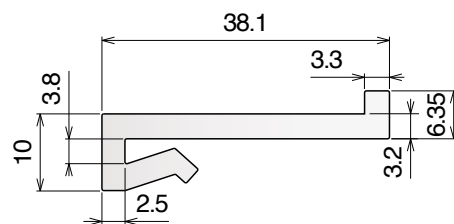
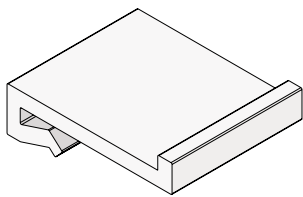
Part	Article-Nr.	L	Colour	Availability	Supply
1026	102603C	3 m	white	On request	3 m bars
1026	102603	6 m	white	On request	6 m bars



1027

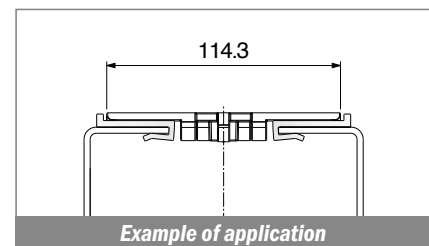
Profilo J-Leg 38.1 / J-Leg Profile 38.1 / J Profil 38.1

Fit on 3 mm



North America STANDARD

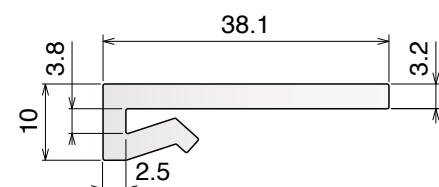
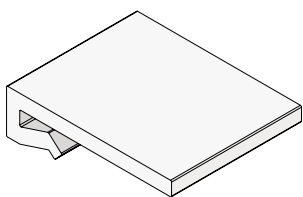
Part	Article-Nr.	L	Colour	Availability	Supply
1027	102703C	3 m	white	On request	3 m bars
1027	102703	6 m	white	On request	6 m bars



1028

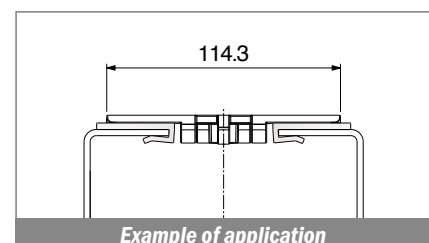
Profilo J-Leg 38.1 / J-Leg Profile 38.1 / J Profil 38.1

Fit on 3 mm



North America STANDARD

Part	Article-Nr.	L	Colour	Availability	Supply
1028	102803C	3 m	white	On request	3 m bars
1028	102803	6 m	white	On request	6 m bars



Material:

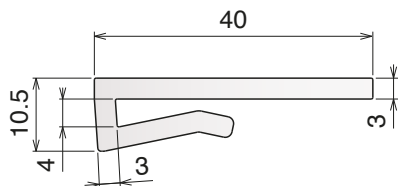
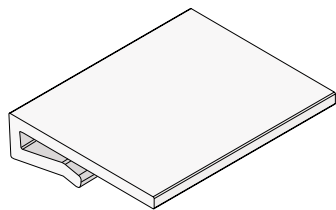
Polyethylene UHMW-PE with molecular density 5,600,000 g/mol
 Linear expansion coefficient: $1.1 \times 10^{-4} \text{ } ^\circ\text{F}^{-1}$ ($2 \times 10^{-4} \text{ } ^\circ\text{C}^{-1}$)
 Operating temperature: -40 to 176°F (-40 to +80°C)

1046

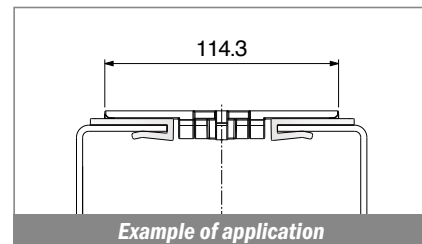
Profilo J-Leg 40 / J-Leg Profile 40 / J Profil 40

Delivery: **Easy** **Standard** Fit on 3 mm

North America STANDARD



Part	Article-Nr.	L	Colour	Availability	Supply
1046	104602C	3 m	green	On request	3 m bars
1046	104603C	3 m	white	On request	3 m bars
1046	104602-30	30 m	green	On request	30 m coils

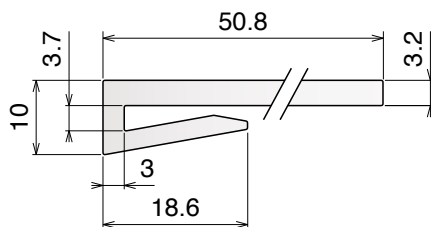
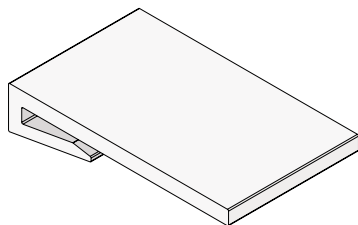


1029

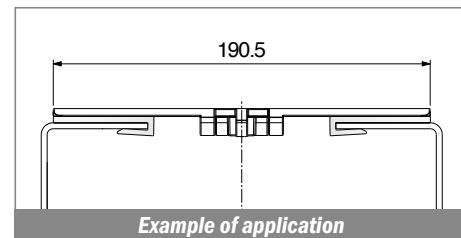
Profilo J-Leg 50.8 / J-Leg Profile 50.8 / J Profil 50.8

Fit on 3 mm

North America STANDARD



Part	Article-Nr.	L	Colour	Availability	Supply
1029	102903C	3 m	white	On request	3 m bars
1029	102903	6 m	white	On request	6 m bars

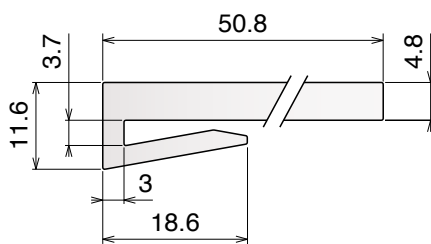
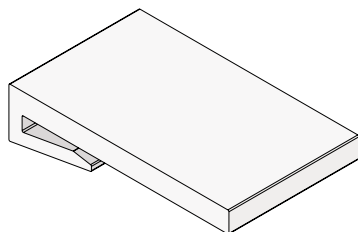


1030

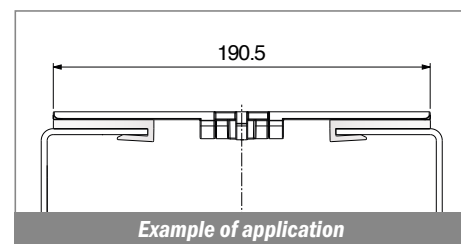
Profilo J-Leg 50.8 / J-Leg Profile 50.8 / J Profil 50.8

Fit on 3 mm

North America STANDARD



Part	Article-Nr.	L	Colour	Availability	Supply
1030	103003C	3 m	white	On request	3 m bars
1030	103003	6 m	white	On request	6 m bars

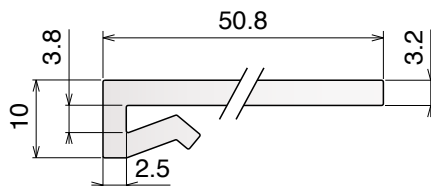
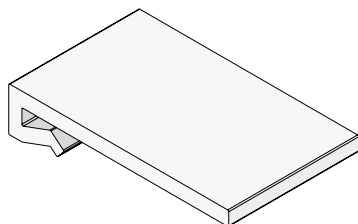


1031

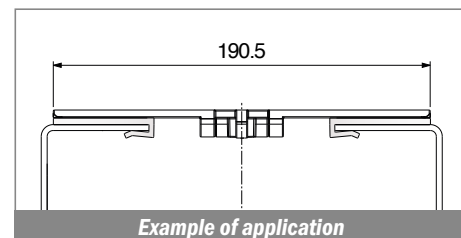
Profilo J-Leg 50.8 / J-Leg Profile 50.8 / J Profil 50.8

Fit on 3 mm

North America STANDARD



Part	Article-Nr.	L	Colour	Availability	Supply
1031	103103C	3 m	white	On request	3 m bars
1031	103103	6 m	white	On request	6 m bars

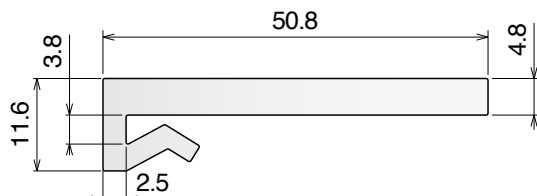
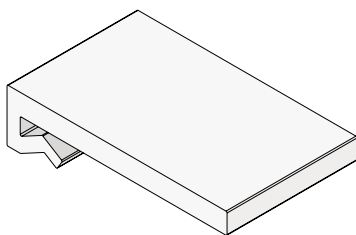


Material:

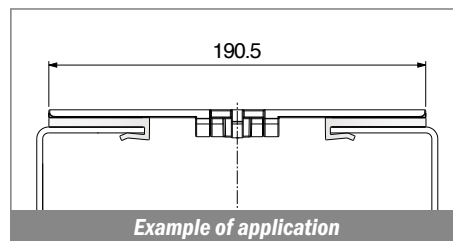
Polyethylene UHMW-PE with molecular density 5,600,000 g/mol
 Linear expansion coefficient: $1.1 \times 10^{-4} \text{ } ^\circ\text{F}^{-1}$ ($2 \times 10^{-4} \text{ } ^\circ\text{C}^{-1}$)
 Operating temperature: -40 to 176°F (-40 to +80°C)

1032**Profilo J-Leg 50.8 / J-Leg Profile 50.8 / J Profil 50.8**

Fit on 3 mm

**North America STANDARD**

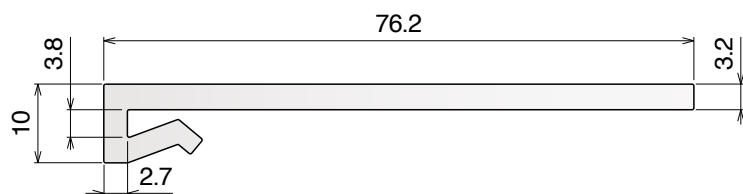
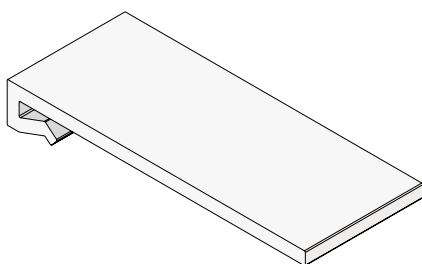
Part	Article-Nr.	L	Colour	Availability	Supply
1032	103203C	3 m	white	On request	3 m bars
1032	103203	6 m	white	On request	6 m bars



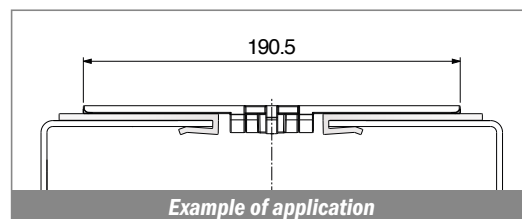
Example of application

1033**Profilo J-Leg 76.2 / J-Leg Profile 76.2 / J Profil 76.2**

Fit on 3 mm

**North America STANDARD**

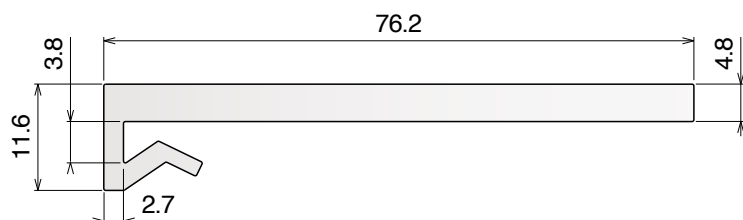
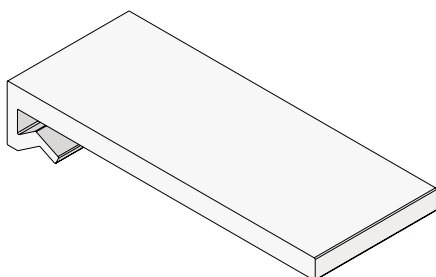
Part	Article-Nr.	L	Colour	Availability	Supply
1033	103303C	3 m	white	On request	3 m bars
1033	103303	6 m	white	On request	6 m bars



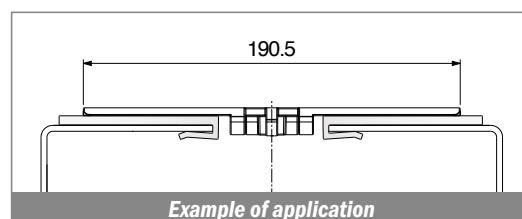
Example of application

1034**Profilo J-Leg 76.2 / J-Leg Profile 76.2 / J Profil 76.2**

Fit on 3 mm

**North America STANDARD**

Part	Article-Nr.	L	Colour	Availability	Supply
1034	103403C	3 m	white	On request	3 m bars
1034	103403	6 m	white	On request	6 m bars



Example of application

1035-105-106

Guide estruse / Extruded profiles / Extrudiertes profil

Material:

Polyethylene UHMW-PE with molecular density 5,600,000 g/mol
 Linear expansion coefficient: $1.1 \times 10^{-4} \text{ } ^\circ\text{F}^{-1}$ ($2 \times 10^{-4} \text{ } ^\circ\text{C}^{-1}$)
 Operating temperature: -40 to 176°F (-40 to +80°C)

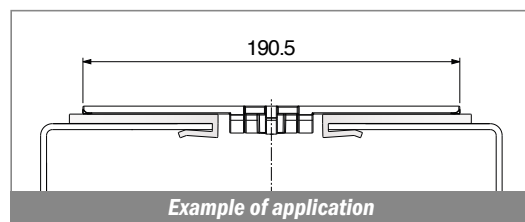
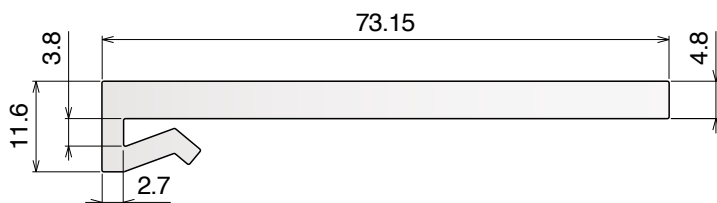
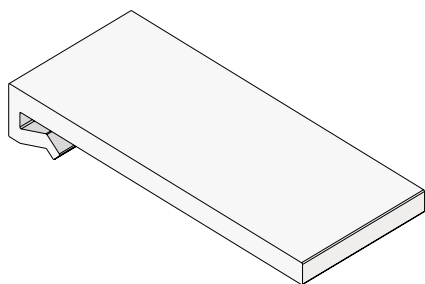
1035

Profilo J-Leg 73 / J-Leg Profile 73 / J Profil 73

Fit on 3 mm

North America STANDARD

Part	Article-Nr.	L	Colour	Availability	Supply
1035	103503C	3 m	white	On request	3 m bars
1035	103503	6 m	white	On request	6 m bars

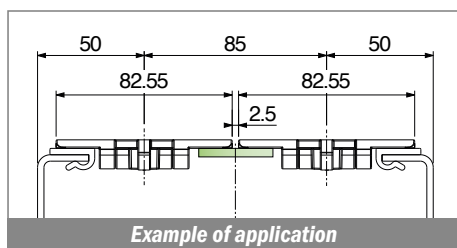
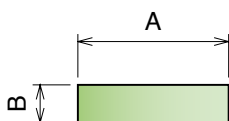
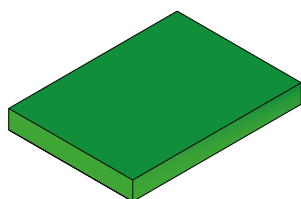


105

Profilo "Z" / Z-Profile / Z-Profil

Delivery: **Easy** **Standard** On request available in white color

Part	Article-Nr.	A	B	Colour	Availability	Supply
105	10501	20	3	black	Stock item	60 m coils
105	10502	20	3	green	Stock item	60 m coils
105	10503	20	5	black	Stock item	60 m coils
105	10504	20	5	green	Stock item	60 m coils
105	10595	25	3	green	Stock item	60 m coils
105	10592	30	3	green	On request	60 m coils
105	10594	30	5	green	On request	60 m coils
105	10596	40	3	green	Stock item	60 m coils
105	10597	50	3	green	On request	60 m coils
105	10505	60	3	black	Stock item	60 m coils
105	10506	60	3	green	Stock item	60 m coils
105	10507	70	3	black	Stock item	60 m coils
105	10508	70	3	green	Stock item	60 m coils
105	10509	100	3	black	On request	60 m coils
105	10510	100	3	green	Stock item	60 m coils

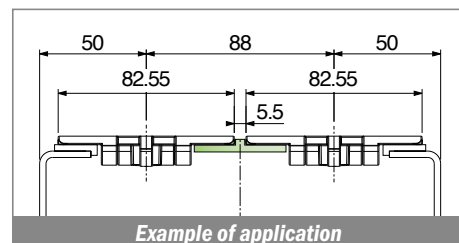
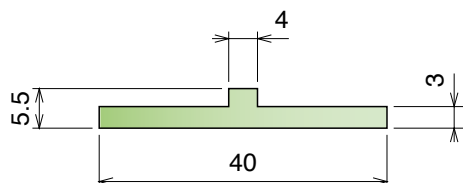
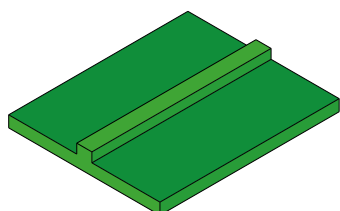


106

Profilo guida catena / Flat profile with nose / Flachprofil mit Nase

On request available in white color

Part	Article-Nr.	Colour	Availability	Supply
106	10601	black	Stock item	60 m coils
106	10602	green	Stock item	60 m coils



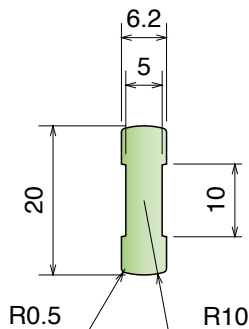
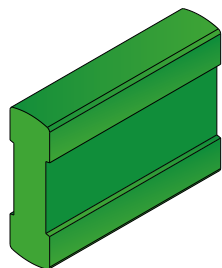
Material:

Polyethylene UHMW-PE with molecular density 5,600,000 g/mol
 Linear expansion coefficient: $1.1 \times 10^{-4} \text{ } ^\circ\text{F}^{-1}$ ($2 \times 10^{-4} \text{ } ^\circ\text{C}^{-1}$)
 Operating temperature: -40 to 176°F (-40 to +80°C)

107 Profilo guida catena / Wear strip / Rückführleiste

Delivery: **Easy** **Standard** On request available in white color

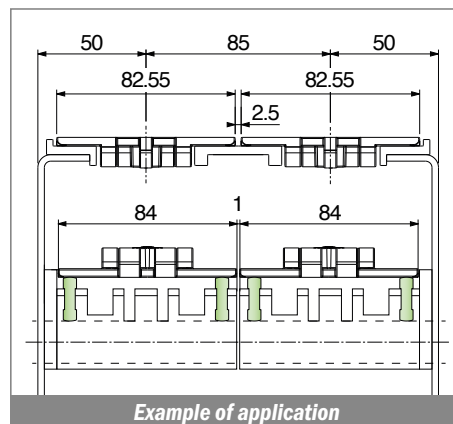
Part	Article-Nr.	Colour	Availability	Supply
107	10701	black	Stock item	60 m coils
107	10702	green	Stock item	60 m coils



Supports Available:

PART 230-231

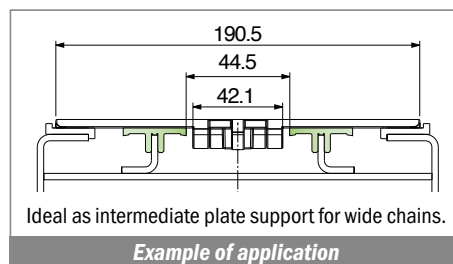
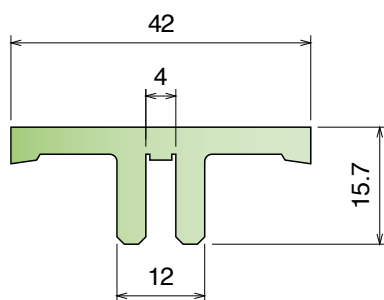
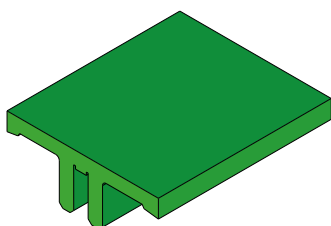
Pag 358



108 Profilo T / T-profile / T-Profil

Delivery: **Easy** **Standard** On request available in white color

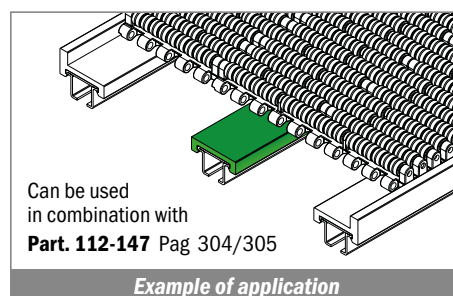
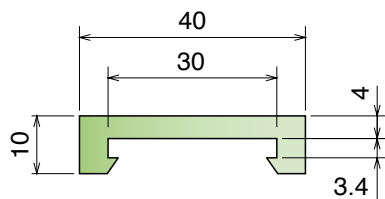
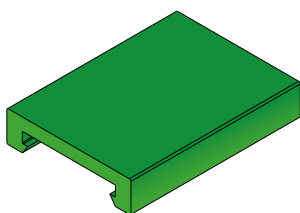
Part	Article-Nr.	L	Colour	Availability	Supply
108	10801C	3 m	black	Stock item	3 m bars
108	10801	6 m	black	On request	6 m bars
108	10802C	3 m	green	Stock item	3 m bars
108	10802	6 m	green	On request	6 m bars



109 Profilo clip-on guida catena / Flat clip-on wear strip / U-Profil Clip-on

Delivery: **Easy** **Standard**

Part	Article-Nr.	L	Colour	Availability	Supply
109	10901C	3 m	black	Stock item	3 m bars
109	10901	6 m	black	On request	6 m bars
109	10902C	3 m	green	Stock item	3 m bars
109	10902	6 m	green	On request	6 m bars
109	10903C	3 m	white	Stock item	3 m bars
109	10903	6 m	white	Stock item	6 m bars
109	10901BC	3 m	BluLub	Stock item	3 m bars
109	10901B	6 m	BluLub	On request	6 m bars
109	10901B-30	30 m	BluLub	On request	30 m coils



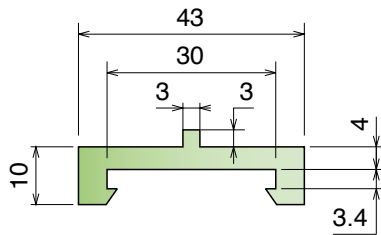
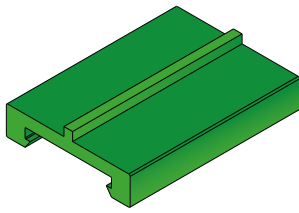
Material:

Polyethylene UHMW-PE with molecular density 5,600,000 g/mol
 Linear expansion coefficient: $1.1 \times 10^{-4} \text{ } ^\circ\text{F}^{-1}$ ($2 \times 10^{-4} \text{ } ^\circ\text{C}^{-1}$)
 Operating temperature: -40 to 176°F (-40 to +80°C)

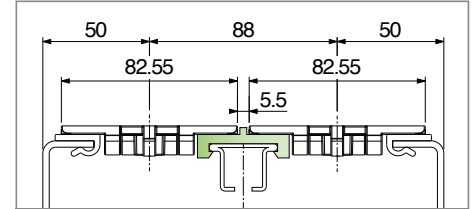
110

Profilo clip-on guida catena con bordo / Flat clip-on wear strip with nose / U-Profil Clip-on mit Nase

On request available in white color



Part	Article-Nr.	L	Colour	Availability	Supply
110	11001C	3 m	black	Stock item	3 m bars
110	11001	6 m	black	On request	6 m bars
110	11002C	3 m	green	Stock item	3 m bars
110	11002	6 m	green	On request	6 m bars

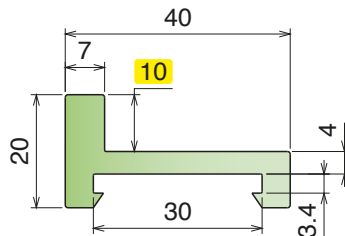
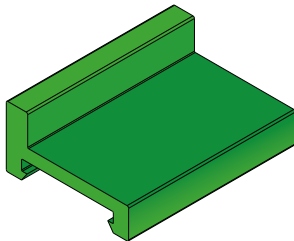


Example of application

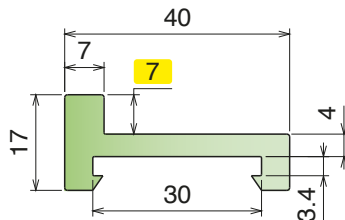
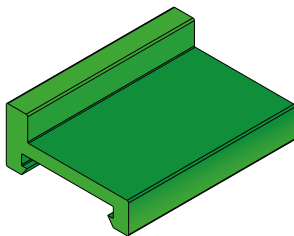
156

Profilo clip-on guida tappeto / Clip-on wear strip for belt / Clip-on m. Seitenführung

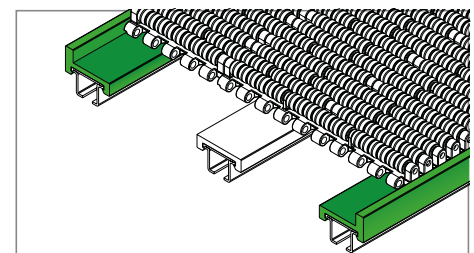
Delivery: **Easy** **Standard** On request available in white color



Part	Article-Nr.	L	Colour	Availability	Supply
156	15601C	3 m	black	Stock item	3 m bars
156	15601	6 m	black	On request	6 m bars
156	15602C	3 m	green	Stock item	3 m bars
156	15602	6 m	green	On request	6 m bars



Part	Article-Nr.	L	Colour	Availability	Supply
156	15699C	3 m	green	On request	3 m bars

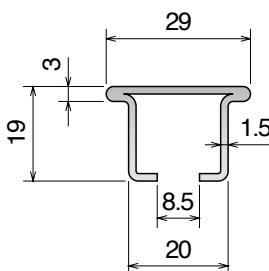
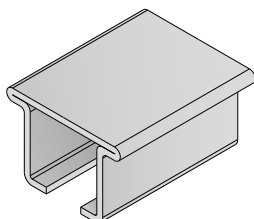


Example of application

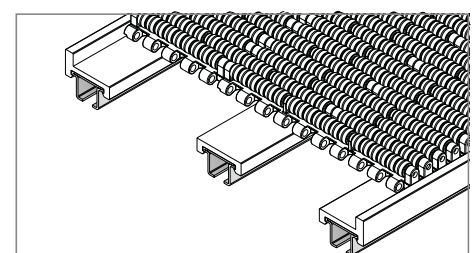
112

Profilo / Profile / Profil

Delivery: **Easy** **Standard**



Part	Article-Nr.	L	Material	Availability	Supply
112	11201C	3 m	AISI 304	Stock item	3 m bars
112	11201	6 m	AISI 304	On request	6 m bars
112	11202C	3 m	AISI 430	Stock item	3 m bars
112	11202	6 m	AISI 430	On request	6 m bars



Example of application

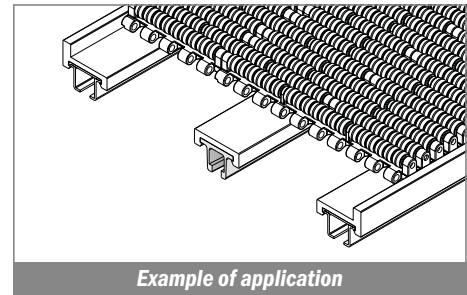
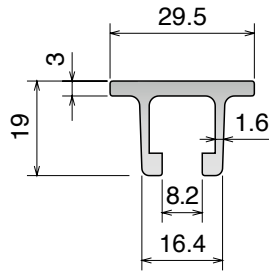
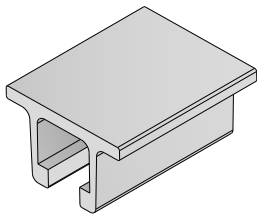
Material:

Polyethylene UHMW-PE with molecular density 5,600,000 g/mol
 Linear expansion coefficient: $1.1 \times 10^{-4} \text{ } ^\circ\text{F}^{-1}$ ($2 \times 10^{-4} \text{ } ^\circ\text{C}^{-1}$)
 Operating temperature: -40 to 176°F (-40 to +80°C)

147 Profilo in alluminio / Aluminum profile / Aluminium-Profil

Delivery: **Easy** **Standard**

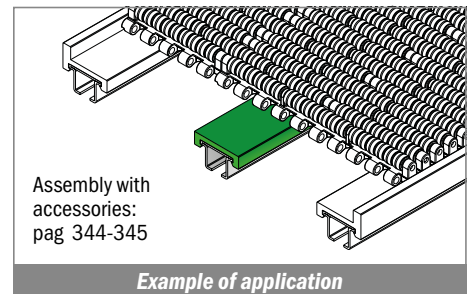
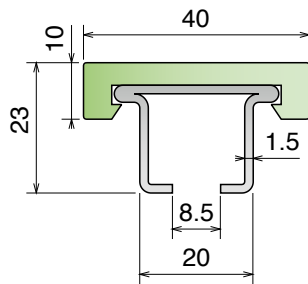
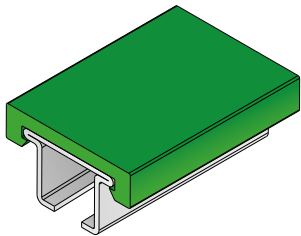
Part	Article-Nr.	L	Material	Availability	Supply
147	14701C	3 m	Aluminium	Stock item	3 m bars
147	14701	6 m	Aluminium	On request	6 m bars



133 Profilo assemblato clip-on / Profile assembled clip-on / Profile montiert clip-on

Delivery: **Easy** **Standard** On request available in white color

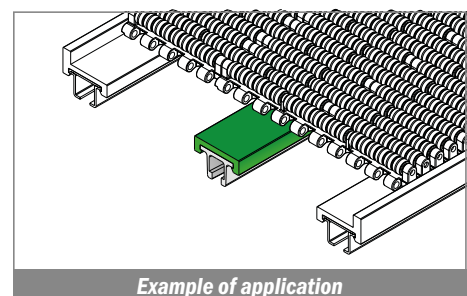
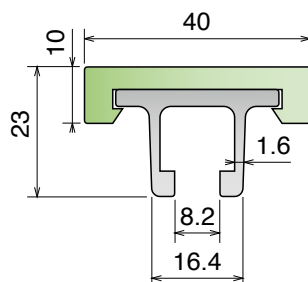
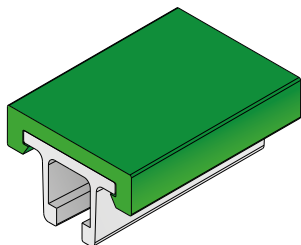
Part	Article-Nr.	L	Material	Colour	Availability	Supply
133	13301C	3 m	AISI 304	green	Stock item	3 m bars
133	13301	6 m	AISI 304	green	On request	6 m bars
133	13302C	3 m	AISI 430	green	Stock item	3 m bars
133	13302	6 m	AISI 430	green	On request	6 m bars
133	13303C	3 m	AISI 304	black	Stock item	3 m bars
133	13303	6 m	AISI 304	black	On request	6 m bars
133	13304C	3 m	AISI 430	black	Stock item	3 m bars
133	13304	6 m	AISI 430	black	On request	6 m bars
133	13305BC	3 m	AISI 304	BluLub	Stock item	3 m bars
133	13305B	6 m	AISI 304	BluLub	On request	6 m bars
133	13306BC	3 m	AISI 430	BluLub	Stock item	3 m bars
133	13306B	6 m	AISI 430	BluLub	On request	6 m bars



148 Profilo assemblato clip-on / Profile assembled clip-on / Profile montiert clip-on

Delivery: **Easy** **Standard**

Part	Article-Nr.	L	Material	Colour	Availability	Supply
148	14801C	3 m	Aluminium	green	Stock item	3 m bars
148	14801	6 m	Aluminium	green	On request	6 m bars
148	14801BC	3 m	Aluminium	BluLub	Stock item	3 m bars
148	14801B	6 m	Aluminium	BluLub	On request	6 m bars
148	14802C	3 m	Aluminium	black	Stock item	3 m bars
148	14802	6 m	Aluminium	black	On request	6 m bars
148	14803C	3 m	Aluminium	white	Stock item	3 m bars



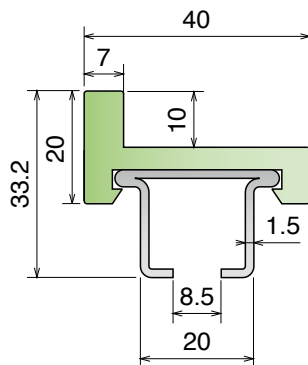
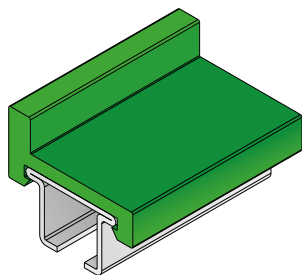
Material:

Polyethylene UHMW-PE with molecular density 5,600,000 g/mol
 Linear expansion coefficient: $1.1 \times 10^{-4} \text{ } ^\circ\text{F}^{-1}$ ($2 \times 10^{-4} \text{ } ^\circ\text{C}^{-1}$)
 Operating temperature: -40 to 176°F (-40 to +80°C)

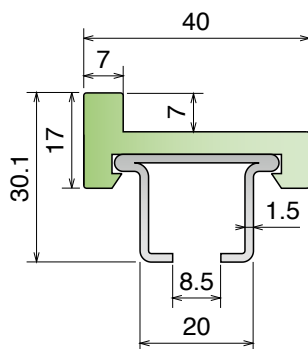
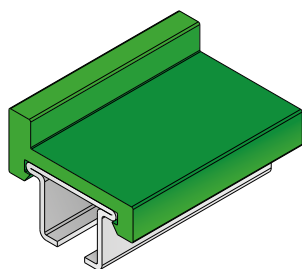
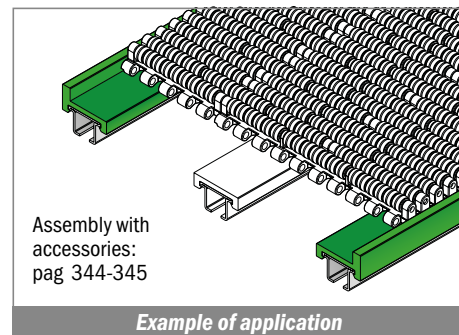
157

Profilo guida tappeto assemblato / Wear strip assembled for belt / Gleitleiste für mattenketten kpl montiert

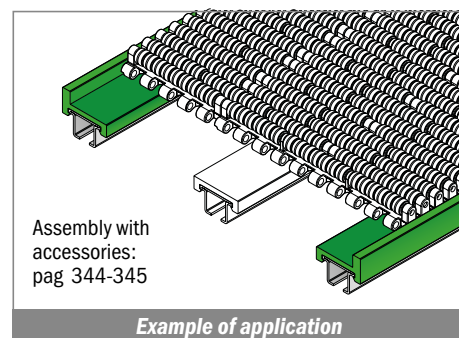
Delivery: **Easy** Standard On request available in white color



Part	Article-Nr.	L	Material	Colour	Availability	Supply
157	15701C	3 m	AISI 304	green	Stock item	3 m bars
157	15701	6 m	AISI 304	green	On request	6 m bars
157	15702C	3 m	AISI 430	green	Stock item	3 m bars
157	15702	6 m	AISI 430	green	On request	6 m bars



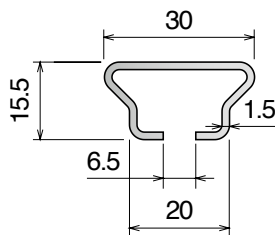
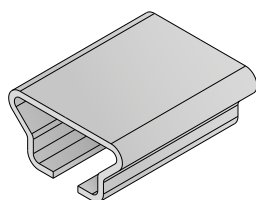
Part	Article-Nr.	L	Material	Colour	Availability	Supply
157	15799C	3 m	AISI 304	green	On request	3 m bars



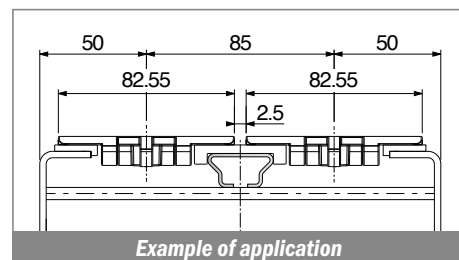
118

Profilo Delta / D-Profile / D-Profil

Delivery: **Easy** Standard



Part	Article-Nr.	L	Material	Availability	Supply
118	11801C	3 m	AISI 304	Stock item	3 m bars
118	11801	6 m	AISI 304	On request	6 m bars
118	11802C	3 m	AISI 430	Stock item	3 m bars
118	11802	6 m	AISI 430	On request	6 m bars

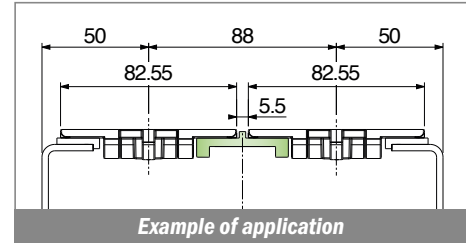
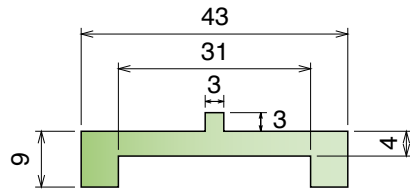
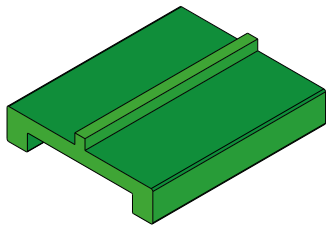


Material:

Polyethylene UHMW-PE with molecular density 5,600,000 g/mol
 Linear expansion coefficient: $1.1 \times 10^{-4} \text{ } ^\circ\text{F}^{-1}$ ($2 \times 10^{-4} \text{ } ^\circ\text{C}^{-1}$)
 Operating temperature: -40 to 176°F (-40 to +80°C)

149 Profilo ad "U" con bordo / U-profile with nose / U-Profil mit Nase

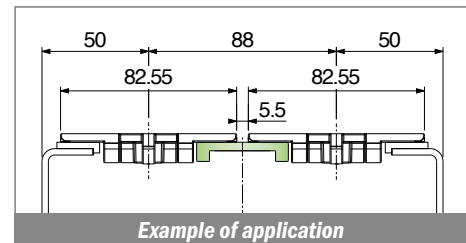
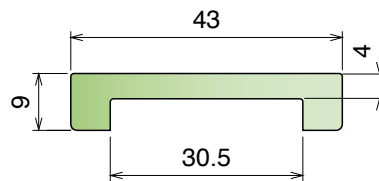
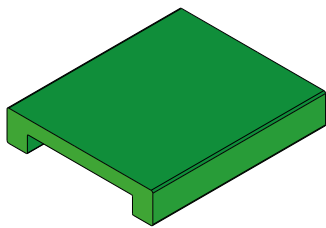
On request available in white color | Coils available



Part	Article-Nr.	L	Colour	Availability	Supply
149	14950C	3 m	black	Stock item	3 m bars
149	14950	6 m	black	On request	6 m bars
149	14952C	3 m	green	Stock item	3 m bars
149	14952	6 m	green	On request	6 m bars

177 Profilo ad "U" / U-profile / U-Profil

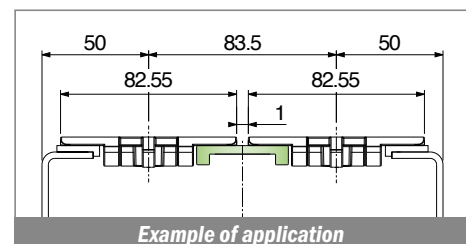
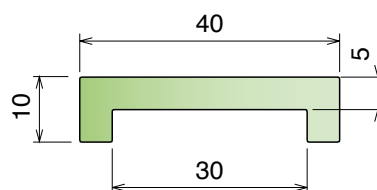
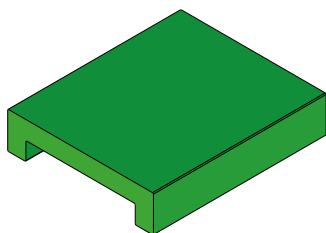
Delivery: **Easy** **Standard** On request available in white color



Part	Article-Nr.	L	Colour	Availability	Supply
177	17701C	3 m	black	Stock item	3 m bars
177	17701	6 m	black	On request	6 m bars
177	17702C	3 m	green	Stock item	3 m bars
177	17702	6 m	green	On request	6 m bars
177	17701BC	3 m	BluLub	Stock item	3 m bars
177	17701B	6 m	BluLub	On request	6 m bars
177	17702-30	30 m	green	On request	30 m coils

1059 Profilo ad "U" / U-profile / U-Profil

Delivery: **Easy** **Standard** On request available in white color
 Coils available



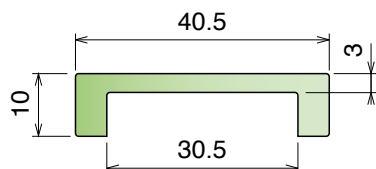
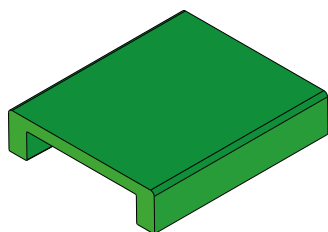
Part	Article-Nr.	L	Colour	Availability	Supply
1059	105901C	3 m	black	Stock item	3 m bars
1059	105901	6 m	black	On request	6 m bars
1059	105902C	3 m	green	Stock item	3 m bars
1059	105902	6 m	green	On request	6 m bars
1059	105901BC	3 m	BluLub	Stock item	3 m bars
1059	105901B	6 m	BluLub	On request	6 m bars

Material:

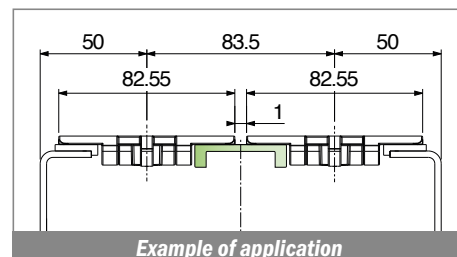
Polyethylene UHMW-PE with molecular density 5,600,000 g/mol
 Linear expansion coefficient: $1.1 \times 10^{-4} \text{ } ^\circ\text{F}^{-1}$ ($2 \times 10^{-4} \text{ } ^\circ\text{C}^{-1}$)
 Operating temperature: -40 to 176°F (-40 to +80°C)

178 Profilo ad "U" / U-profile / U-Profil

Delivery: **Easy** **Standard** On request available in white color | Coils available

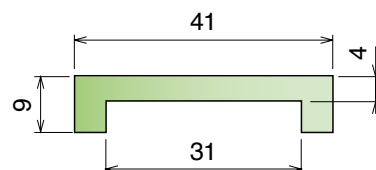
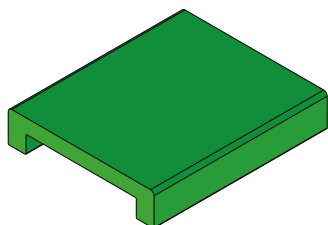


Part	Article-Nr.	L	Colour	Availability	Supply
178	17801C	3 m	black	Stock item	3 m bars
178	17801	6 m	black	On request	6 m bars
178	17802C	3 m	green	Stock item	3 m bars
178	17802	6 m	green	On request	6 m bars
178	17801BC	3 m	BluLub	Stock item	3 m bars
178	17801B	6 m	BluLub	On request	6 m bars

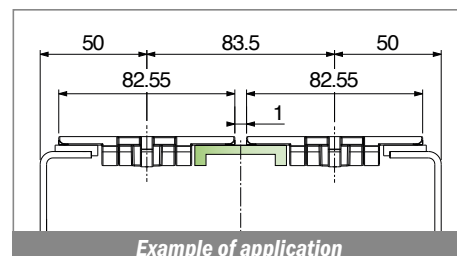


111 Profilo ad "U" / U-profile / U-Profil

Delivery: **Easy** **Standard** On request available in white color

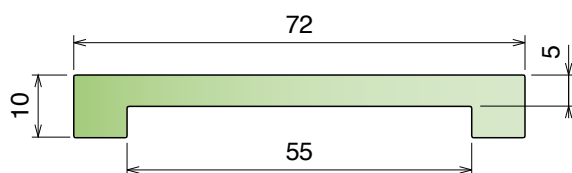
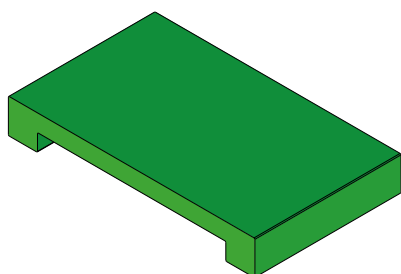


Part	Article-Nr.	L	Colour	Availability	Supply
111	11101C	3 m	black	Stock item	3 m bars
111	11101	6 m	black	On request	6 m bars
111	11102C	3 m	green	Stock item	3 m bars
111	11102	6 m	green	On request	6 m bars
111	11101-60	60 m	black	On request	60 m coils
111	11102-60	60 m	green	On request	60 m coils
111	11101BC	3 m	BluLub	Stock item	3 m bars
111	11101B	6 m	BluLub	On request	6 m bars

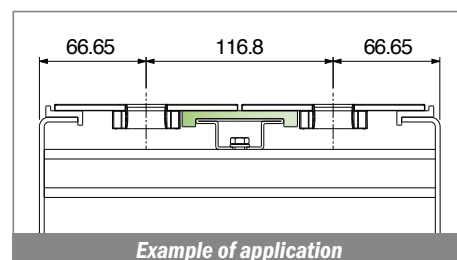


1060 Profilo ad "U" / U-profile / U-Profil

Delivery: **Easy** **Standard** On request available in white color
 Coils available



Part	Article-Nr.	L	Colour	Availability	Supply
1060	106001C	3 m	black	Stock item	3 m bars
1060	106001	6 m	black	On request	6 m bars
1060	106002C	3 m	green	Stock item	3 m bars
1060	106002	6 m	green	On request	6 m bars



Material:

Polyethylene UHMW-PE with molecular density 5,600,000 g/mol
 Linear expansion coefficient: $1.1 \times 10^{-4} \text{ } ^\circ\text{F}^{-1}$ ($2 \times 10^{-4} \text{ } ^\circ\text{C}^{-1}$)
 Operating temperature: -40 to 176°F (-40 to +80°C)

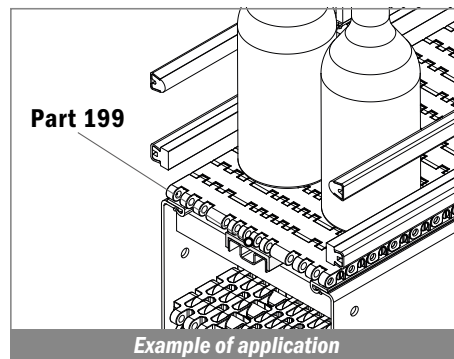
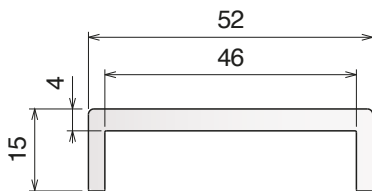
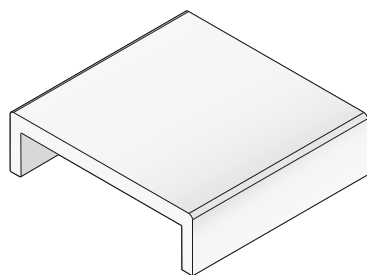
199-U-Profile

Guide estruse / Extruded profiles / Extrudiertes profil

199 Profilo ad "U" / U-profile / U-Profil

On request available in white color | Coils available

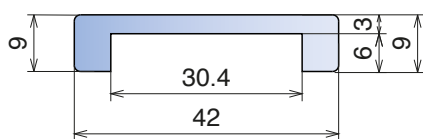
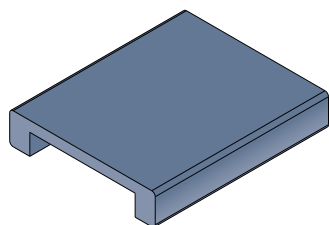
Part	Article-Nr.	L	Colour	Availability	Supply
199	19976	6 m	white	On request	6 m bars



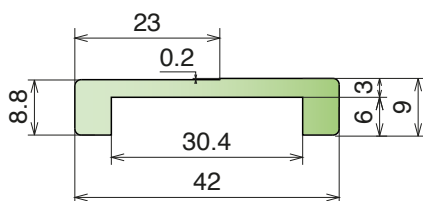
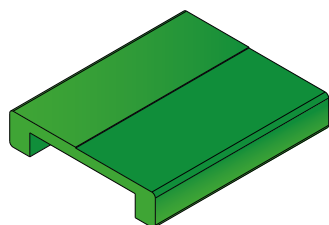
U-Profile Profilo ad "U" 42 mm / U-profile 42 mm / U-Profil 42 mm

On request available in white color

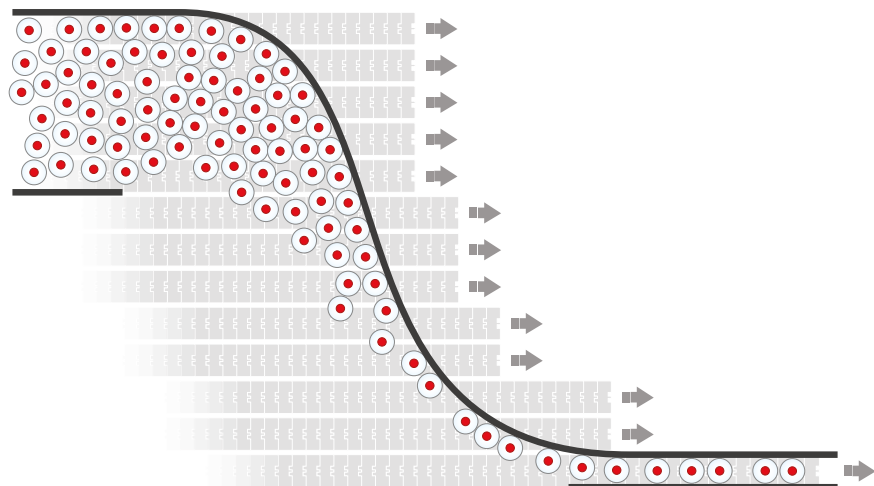
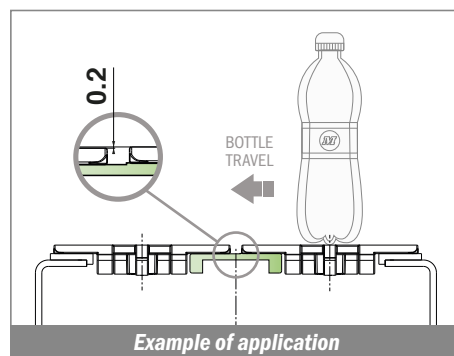
Part	Article-Nr.	L	Colour	Availability	Supply
199	19944B-30	30 m	BluLub	On request	30 m bars



Staggered version



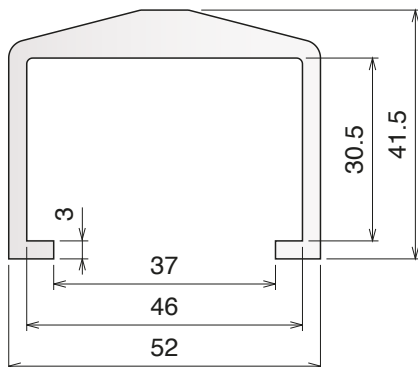
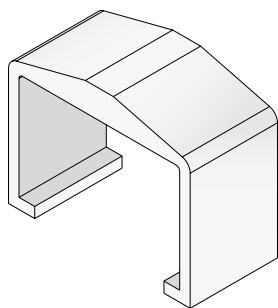
Part	Article-Nr.	L	Colour	Availability	Supply
199	19945-30	30 m	black	Stock item	30 m bars
199	19945B-30	30 m	BluLub	Stock item	30 m bars
199	19946-30	30 m	green	Stock item	30 m bars



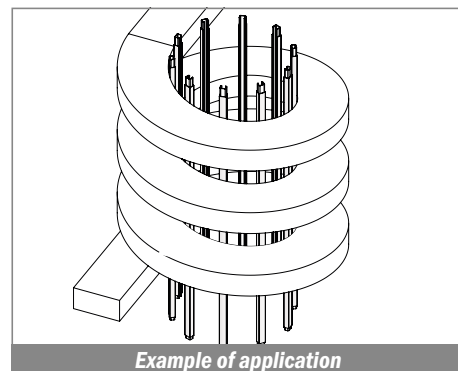
Material:

Polyethylene UHMW-PE with molecular density 5,600,000 g/mol
 Linear expansion coefficient: $1.1 \times 10^{-4} \text{ } ^\circ\text{F}^{-1}$ ($2 \times 10^{-4} \text{ } ^\circ\text{C}^{-1}$)
 Operating temperature: -40 to 176°F (-40 to +80°C)

180 Copri profilo / Bar cover / Abdeckprofil

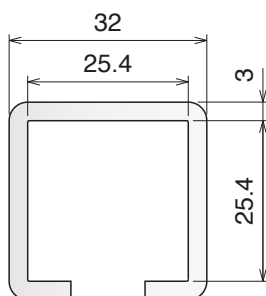
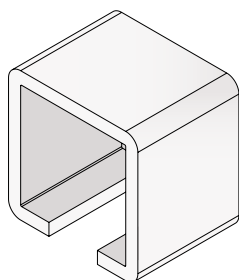


Part	Article-Nr.	L	Colour	Availability	Supply
180	18003C	3 m	white	Stock item	3 m bars
180	18003	6 m	white	On request	6 m bars

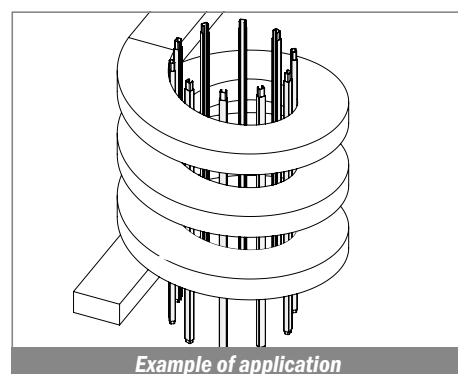


181 Copri profilo 25.4 x 25.4 / Bar cover 25.4 x 25.4 / Abdeckprofil 25.4 x 25.4

Fit on 25.4 x 25.4 mm

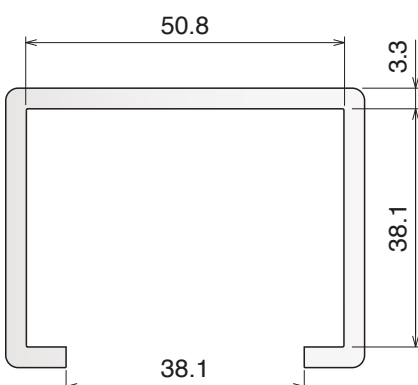
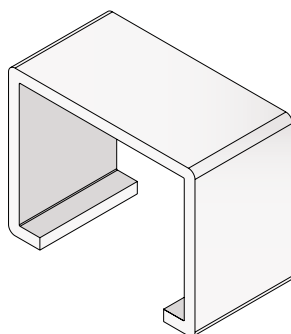


Part	Article-Nr.	L	Colour	Availability	Supply
181	18103C	3 m	white	Stock item	3 m bars
181	18103	6 m	white	On request	6 m bars

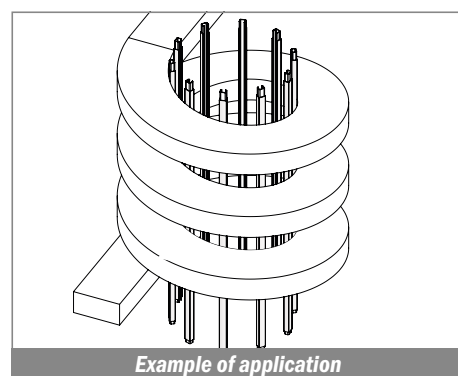


1052 Copri profilo 38.1 x 50.8 / Bar cover 38.1 x 50.8 / Abdeckprofil 38.1 x 50.8

Fit on 38.1 x 50.8 mm



Part	Article-Nr.	L	Colour	Availability	Supply
1052	105203C	3 m	white	Stock item	3 m bars
1052	105203	6 m	white	On request	6 m bars



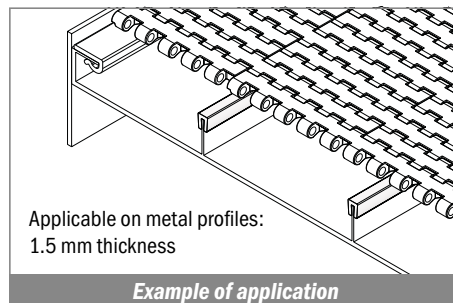
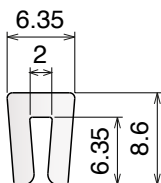
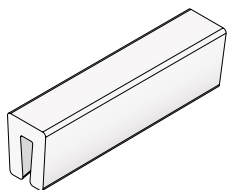
Material:

Polyethylene UHMW-PE with molecular density 5,600,000 g/mol
 Linear expansion coefficient: $1.1 \times 10^{-4} \text{ } ^\circ\text{F}^{-1}$ ($2 \times 10^{-4} \text{ } ^\circ\text{C}^{-1}$)
 Operating temperature: -40 to 176°F (-40 to +80°C)

1000 Copri profilo 1.5 mm / Bar cap 1.5 mm / Abdeckprofil 1.5 mm

Fit on 1.5 mm

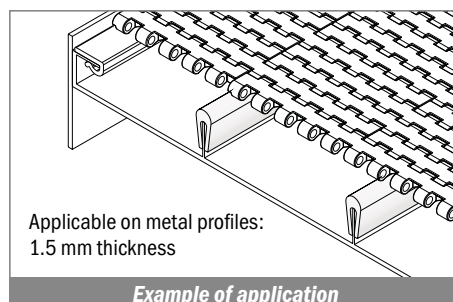
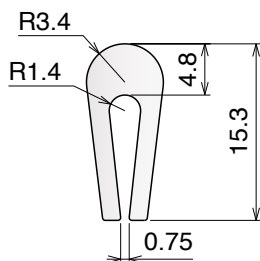
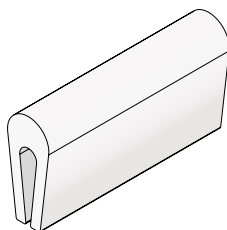
Part	Article-Nr.	L	Colour	Availability	Supply
1000	100003-30	30 m	white	On request	30 m coils



1001 Copri profilo 1.5 mm / Bar cap 1.5 mm / Abdeckprofil 1.5 mm

Fit on 1.5 mm

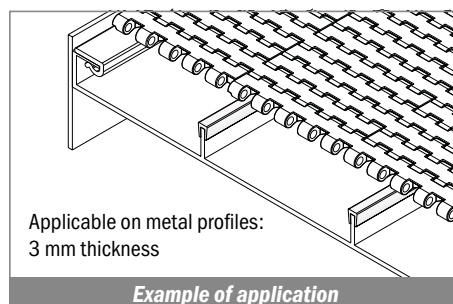
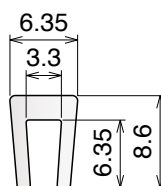
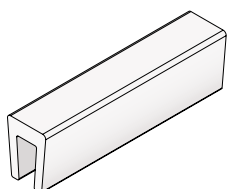
Part	Article-Nr.	L	Colour	Availability	Supply
1001	100103-30	30 m	white	On request	30 m coils



1002 Copri profilo 3 mm / Bar cap 3 mm / Abdeckprofil 3 mm

Fit on 3 mm

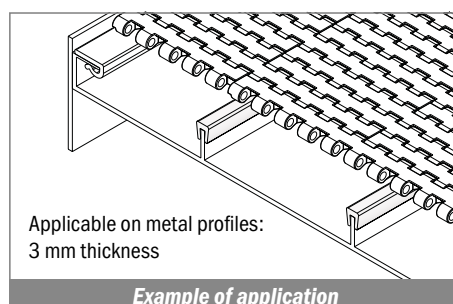
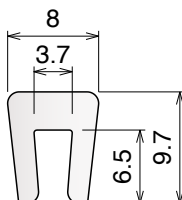
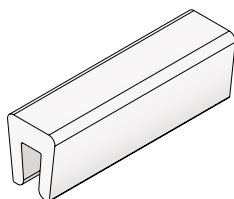
Part	Article-Nr.	L	Colour	Availability	Supply
1002	100203-30	30 m	white	On request	30 m coils



1003 Copri profilo 3 mm / Bar cap 3 mm / Abdeckprofil 3 mm

Delivery: **Easy** **Standard** Fit on 3 mm

Part	Article-Nr.	L	Colour	Availability	Supply
1003	100303-30	30 m	white	On request	30 m coils

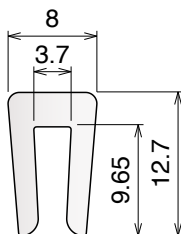
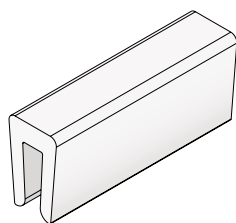


Material:

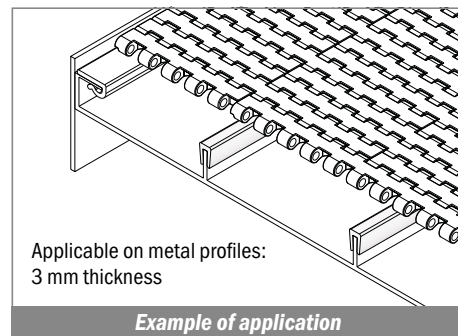
Polyethylene UHMW-PE with molecular density 5,600,000 g/mol
 Linear expansion coefficient: $1.1 \times 10^{-4} \text{ } ^\circ\text{F}^{-1}$ ($2 \times 10^{-4} \text{ } ^\circ\text{C}^{-1}$)
 Operating temperature: -40 to 176°F (-40 to +80°C)

1004 Copri profilo 3 mm / Bar cap 3 mm / Abdeckprofil 3 mm

Delivery: **Easy** **Standard** Fit on 3 mm

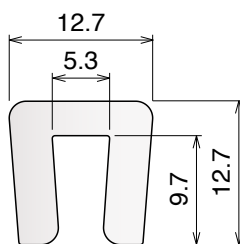
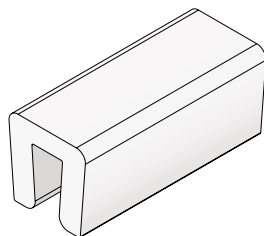


Part	Article-Nr.	L	Colour	Availability	Supply
1004	100403-30	30 m	white	On request	30 m coils

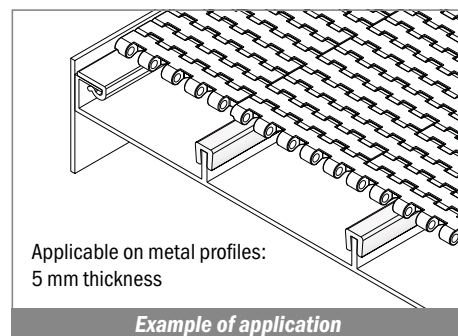


1006 Copri profilo 5 mm / Bar cap 5 mm / Abdeckprofil 5 mm

Fit on 5 mm

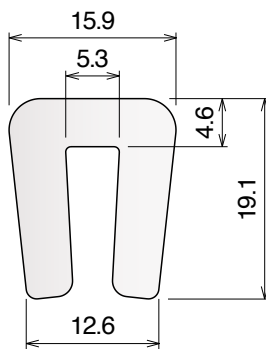
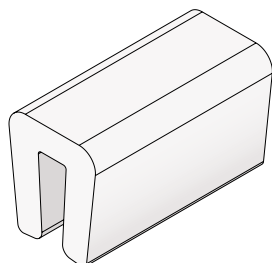


Part	Article-Nr.	L	Colour	Availability	Supply
1006	100603-30	30 m	white	On request	30 m coils

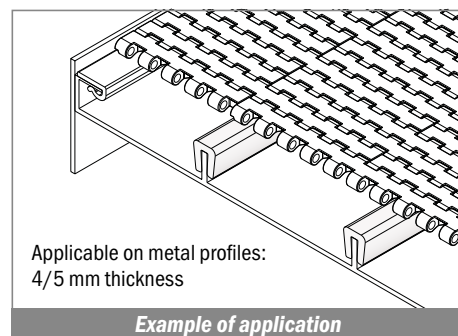


153 Copri profilo 5 mm / Bar cap 5 mm / Abdeckprofil 5 mm

Delivery: **Easy** **Standard** Fit on 4/5 mm



Part	Article-Nr.	L	Colour	Availability	Supply
153	15302	6 m	green	On request	30 m coils
153	15302C	3 m	green	On request	3 m bars
153	15303	6 m	white	On request	6 m bars
153	15303-30	30 m	white	Stock item	30 m coils
153	15300	6 m	BluLub	Stock item	6 m bars
153	15300-30	30 m	BluLub	Stock item	30 m coils
153	15300C	3 m	BluLub	On request	3 m bars

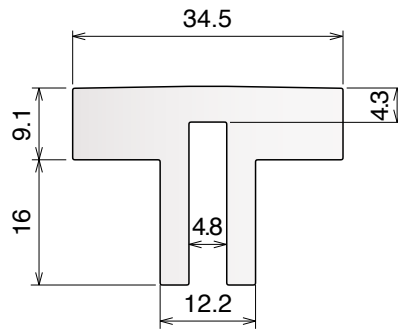
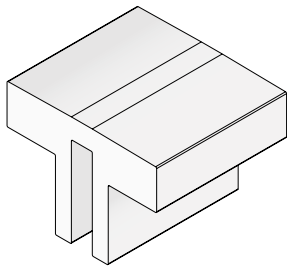


Material:

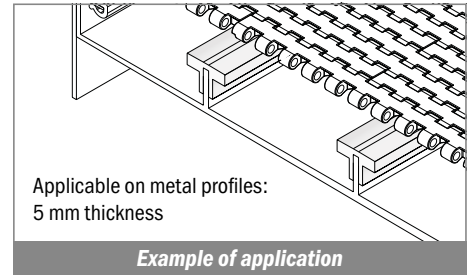
Polyethylene UHMW-PE with molecular density 5,600,000 g/mol
 Linear expansion coefficient: $1.1 \times 10^{-4} \text{ } ^\circ\text{F}^{-1}$ ($2 \times 10^{-4} \text{ } ^\circ\text{C}^{-1}$)
 Operating temperature: -40 to 176°F (-40 to +80°C)

1007 Copri profilo 5 mm / Bar cap 5 mm / Abdeckprofil 5 mm

Fit on 5 mm

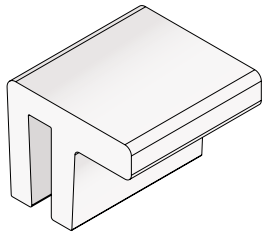


Part	Article-Nr.	L	Colour	Availability	Supply
1007	100703	6 m	white	On request	6 m bars
1007	100703B	6 m	BluLub	On request	6 m bars

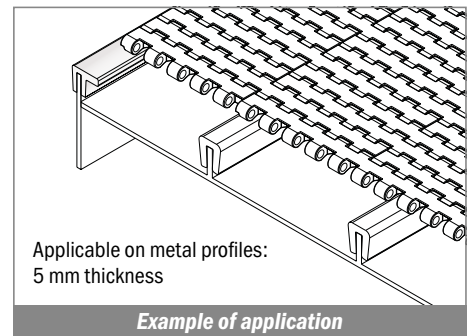


1008 Copri profilo 5 mm / Bar cap 5 mm / Abdeckprofil 5 mm

Fit on 5 mm

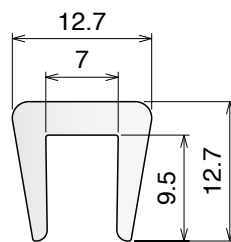
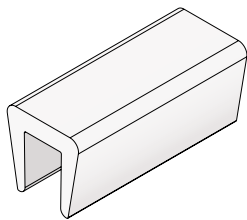


Part	Article-Nr.	L	Colour	Availability	Supply
1008	100803	6 m	white	On request	6 m bars
1008	100803B	6 m	BluLub	On request	6 m bars

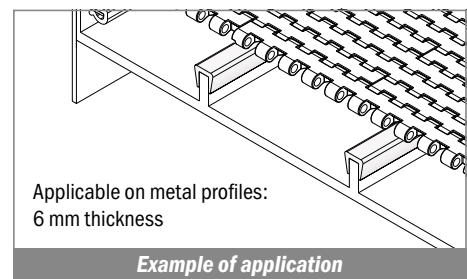


1009 Copri profilo 6 mm / Bar cap 6 mm / Abdeckprofil 6 mm

Delivery: **Easy** Standard Fit on 6 mm

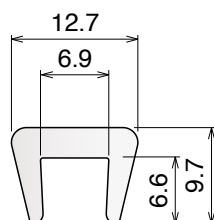
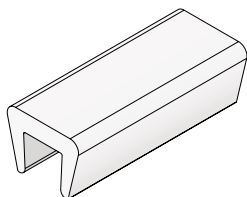


Part	Article-Nr.	L	Colour	Availability	Supply
1009	100903-30	30 m	white	On request	30 m coils

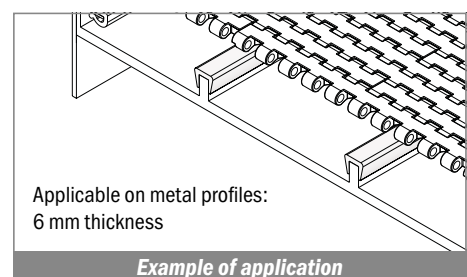


1010 Copri profilo 6 mm / Bar cap 6 mm / Abdeckprofil 6 mm

Fit on 6 mm



Part	Article-Nr.	L	Colour	Availability	Supply
1010	101003-30	30 m	white	On request	30 m coils

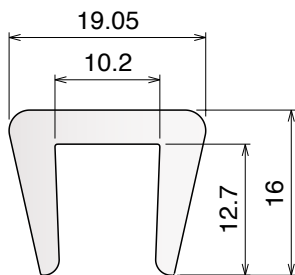
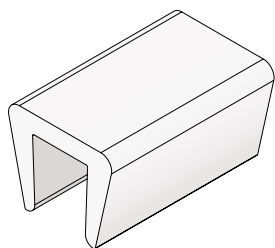


Material:

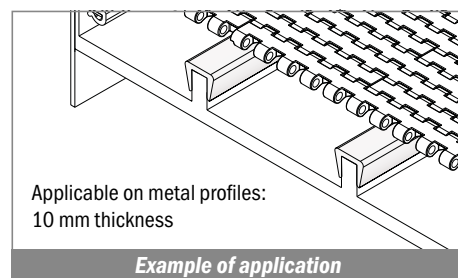
Polyethylene UHMW-PE with molecular density 5,600,000 g/mol
 Linear expansion coefficient: $1.1 \times 10^{-4} \text{ } ^\circ\text{F}^{-1}$ ($2 \times 10^{-4} \text{ } ^\circ\text{C}^{-1}$)
 Operating temperature: -40 to 176°F (-40 to +80°C)

1011 Copri profilo 10 mm / Bar cap 10 mm / Abdeckprofil 10 mm

Fit on 10 mm

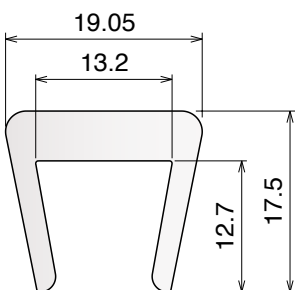
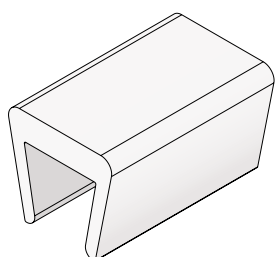


Part	Article-Nr.	L	Colour	Availability	Supply
1011	101103-30	30 m	white	On request	30 m coils
1011	101103-60	60 m	white	On request	60 m coils

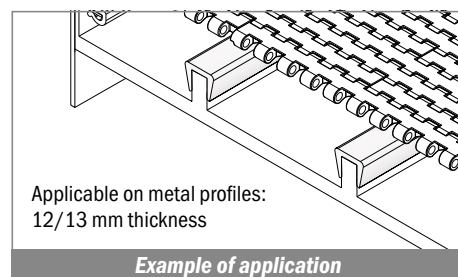


1012 Copri profilo 12-13 mm / Bar cap 12-13 mm / Abdeckprofil 12-13 mm

Fit on 12/13 mm

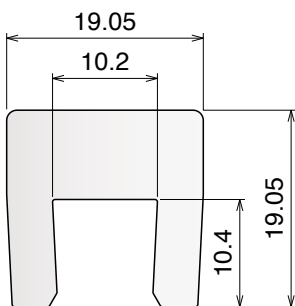
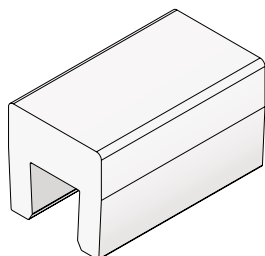


Part	Article-Nr.	L	Colour	Availability	Supply
1012	101203-30	30 m	white	On request	30 m coils

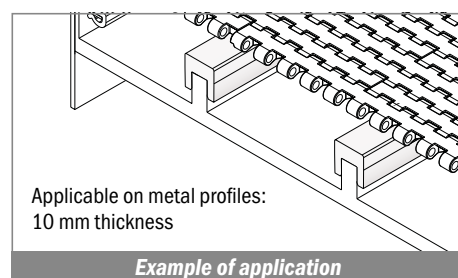


1013 Copri profilo 10 mm / Bar cap 10 mm / Abdeckprofil 10 mm

Fit on 10 mm

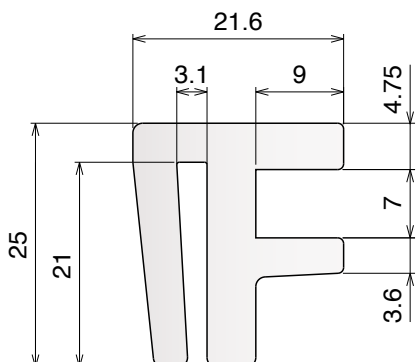
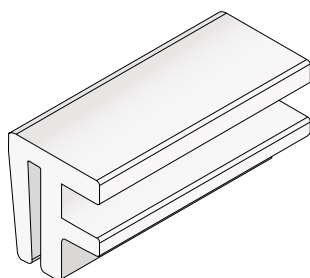


Part	Article-Nr.	L	Colour	Availability	Supply
1013	101303	6 m	white	On request	6 m coils

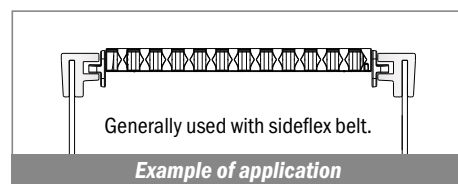


1040 Guide tappeto / Belt side guide / Seitentükuung für matterkette

Fit on 3 mm



Part	Article-Nr.	L	Colour	Availability	Supply
1040	104003C	3 m	white	On request	3 m bars
1040	104003	6 m	white	On request	6 m bars

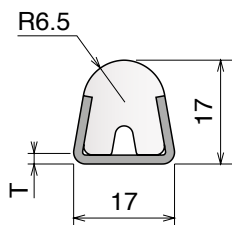
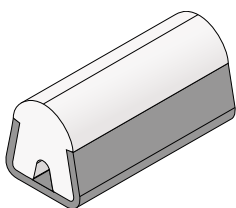


Material:

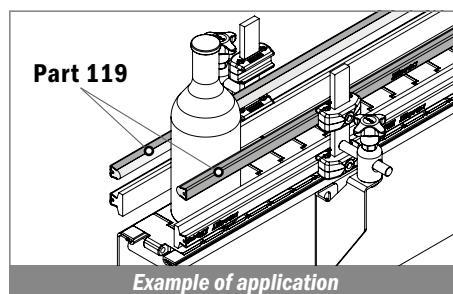
Polyethylene UHMW-PE with molecular density 5,600,000 g/mol
 Linear expansion coefficient: $1.1 \times 10^{-4} \text{ } ^\circ\text{F}^{-1}$ ($2 \times 10^{-4} \text{ } ^\circ\text{C}^{-1}$)
 Operating temperature: -40 to 176°F (-40 to +80°C)

119 Guida conica tonda / Guide rail round / konische Führung rund

Delivery: **Easy** **Standard** Supply: 3/6 m bars

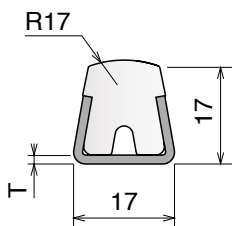
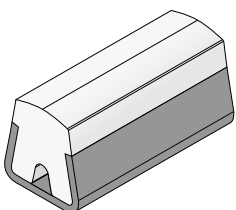


Part	Article-Nr.	L	T	Metal profile	Colour	Availability	Type
119	11963	3 m	1.9	AISI 304	white	Stock item	
119	11967	6 m	1.9	AISI 304	white	On request	
119	11963B	3 m	1.9	AISI 304	BluLub	On request	
119	11967B	6 m	1.9	AISI 304	BluLub	On request	
119	11901C	3 m	1.5	AISI 304	white	Stock item	
119	11901	6 m	1.5	AISI 304	white	Stock item	
119	11901BC	3 m	1.5	AISI 304	BluLub	Stock item	
119	11901B	6 m	1.5	AISI 304	BluLub	Stock item	

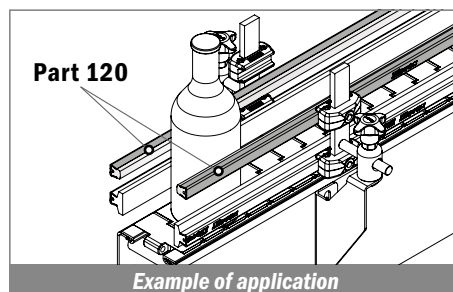


120 Guida conica semitonda / Guide rail modified / konische Führung halbrund

Delivery: **Easy** **Standard** Supply: 3/6 m bars

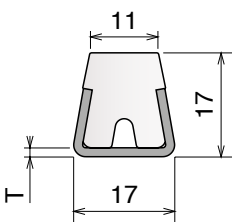
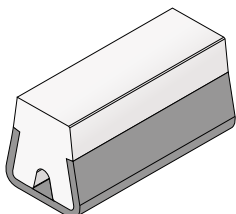


Part	Article-Nr.	L	T	Metal profile	Colour	Availability	Type
120	12063	3 m	1.9	AISI 304	white	Stock item	
120	12067	6 m	1.9	AISI 304	white	On request	
120	12063B	3 m	1.9	AISI 304	BluLub	On request	
120	12067B	6 m	1.9	AISI 304	BluLub	On request	
120	12001C	3 m	1.5	AISI 304	white	Stock item	
120	12001	6 m	1.5	AISI 304	white	Stock item	
120	12001BC	3 m	1.5	AISI 304	BluLub	Stock item	
120	12001B	6 m	1.5	AISI 304	BluLub	Stock item	

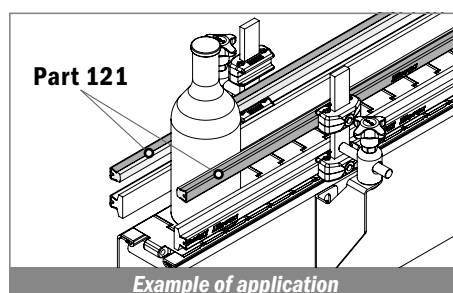


121 Guida conica piatta / Guide rail flat / konische Führung flach

Delivery: **Easy** **Standard** Supply: 3/6 m bars



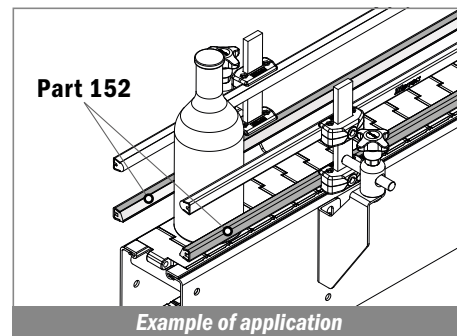
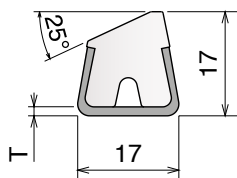
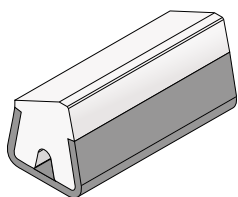
Part	Article-Nr.	L	T	Metal profile	Colour	Availability	Type
121	12163	3 m	1.9	AISI 304	white	On request	
121	12167	6 m	1.9	AISI 304	white	On request	
121	12163B	3 m	1.9	AISI 304	BluLub	On request	
121	12167B	6 m	1.9	AISI 304	BluLub	On request	
121	12101C	3 m	1.5	AISI 304	white	Stock item	
121	12101	6 m	1.5	AISI 304	white	Stock item	
121	12101BC	3 m	1.5	AISI 304	BluLub	Stock item	
121	12101B	6 m	1.5	AISI 304	BluLub	Stock item	



152 Guida conica 25° / Guide rail 25° / konische Führung 25°

Delivery: **Easy** Standard Supply: 3 m bars

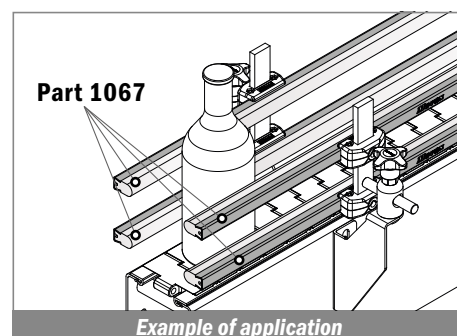
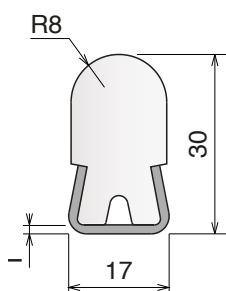
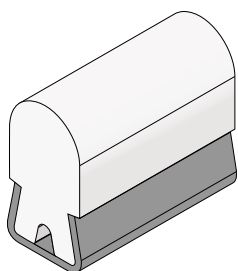
Part	Article-Nr.	L	T	Metal profile	Colour	Availability	Type
152	15263	3 m	1.9	AISI 304	white	On request	
152	15201C	3 m	1.5	AISI 304	white	Stock item	



1067 Guida conica H 18 / Guide rail H 18 / konische Führung H 18

Supply: 3 m bars

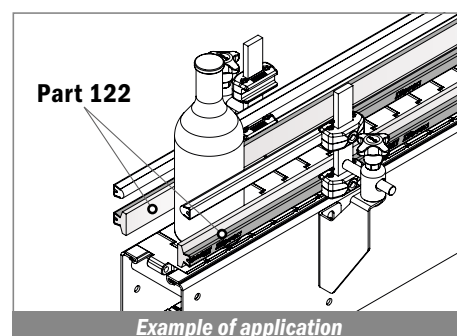
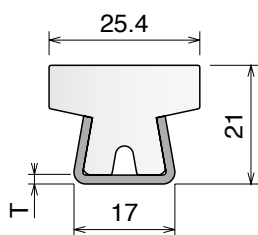
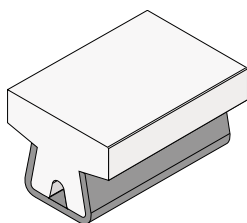
Part	Article-Nr.	L	T	Metal profile	Colour	Availability	Type
1067	106763	3 m	1.9	AISI 304	white	On request	
1067	106701C	3 m	1.5	AISI 304	white	On request	



122 Guida conica profilo a T 25,4 mm / Guide rail T-shape 25,4 mm / konische Führung flach (T) 25,4 mm

Delivery: **Easy** Standard Supply: 3 m bars

Part	Article-Nr.	L	T	Metal profile	Colour	Availability	Type
122	12263	3 m	1.9	AISI 304	white	Stock item	
122	12201C	3 m	1.5	AISI 304	white	Stock item	

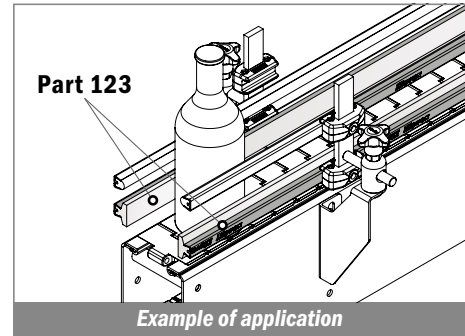
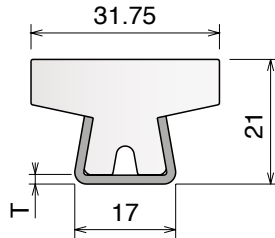
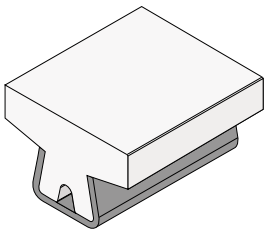


Material:
 Metal profile: Stainless steel
 Plastic profile: UHMW-PE

123 Guida conica profilo a T 31,75 mm / Guide rail T-shape 31,75 mm / konische Führung flach (T) 31,75 mm

Delivery: **Easy** **Standard** Supply: 3 m bars

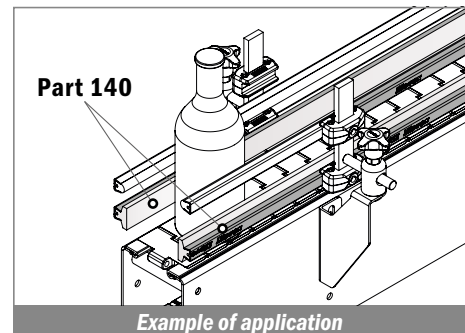
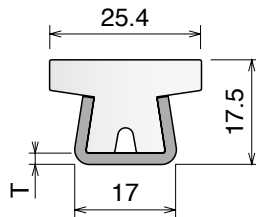
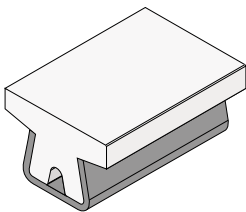
Part	Article-Nr.	L	T	Metal profile	Colour	Availability	Type
123	12363	3 m	1.9	AISI 304	white	Stock item	
123	12301C	3 m	1.5	AISI 304	white	Stock item	



140 Guida conica profilo a T 25,4 mm / Guide rail T-shape 25,4 mm / konische Führung flach (T) 25,4 mm

Delivery: **Easy** **Standard** Supply: 3 m bars

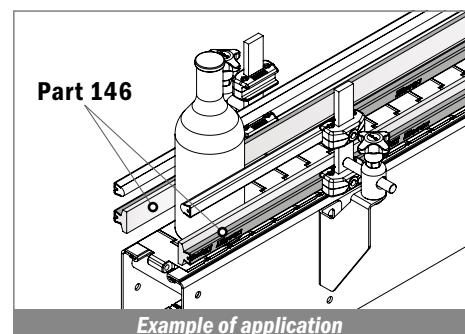
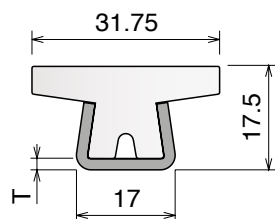
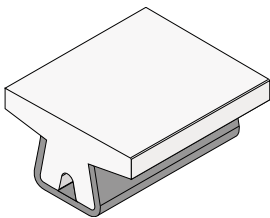
Part	Article-Nr.	L	T	Metal profile	Colour	Availability	Type
140	14063	3 m	1.9	AISI 304	white	Stock item	
140	14001C	3 m	1.5	AISI 304	white	Stock item	



146 Guida conica profilo a T 31,75 mm / Guide rail T-shape 31,75 mm / konische Führung flach (T) 31,75 mm

Delivery: **Easy** **Standard** Supply: 3 m bars

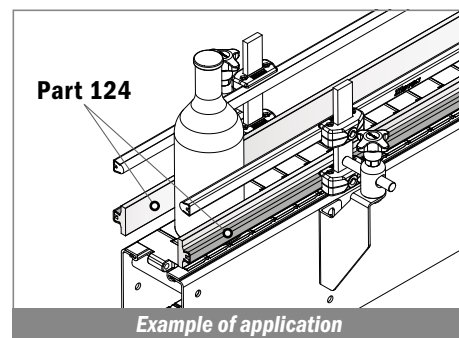
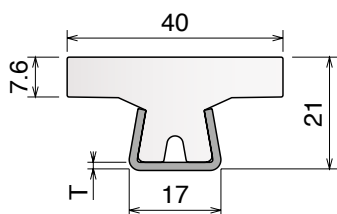
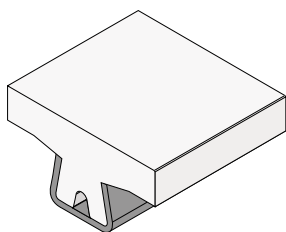
Part	Article-Nr.	L	T	Metal profile	Colour	Availability	Type
146	14663	3 m	1.9	AISI 304	white	On request	
146	14601C	3 m	1.5	AISI 304	white	Stock item	



124 Guida conica profilo a T 40 mm / Guide rail T-shape 40 mm / konische Führung flach (T) 40 mm

Delivery: **Easy** **Standard** Supply: 3 m bars

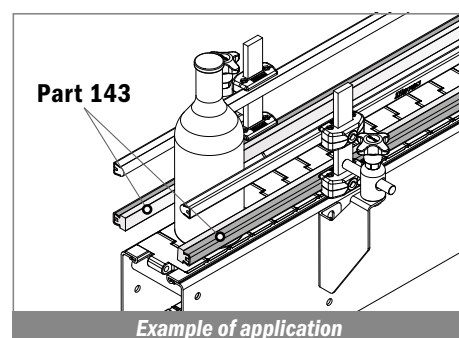
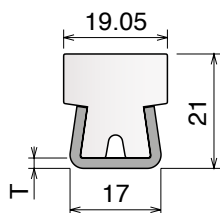
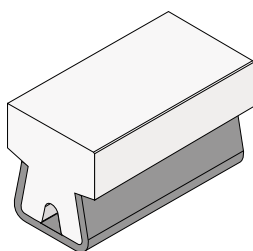
Part	Article-Nr.	L	T	Metal profile	Colour	Availability	Type
124	12463	3 m	1.9	AISI 304	white	On request	
124	12401C	3 m	1.5	AISI 304	white	Stock item	



143 Guida conica profilo a "T" 19,05 mm / Guide rail T-shape 19,05 mm / konische Führung flach (T) 19,05 mm

Delivery: **Easy** **Standard** Supply: 3 m bars

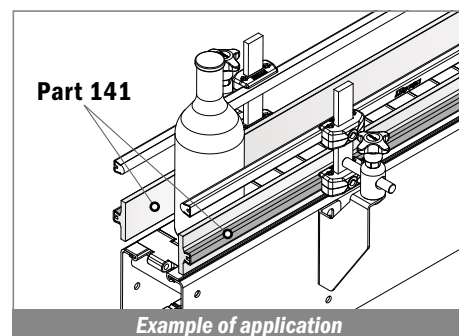
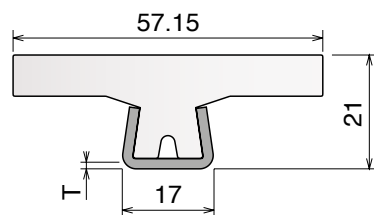
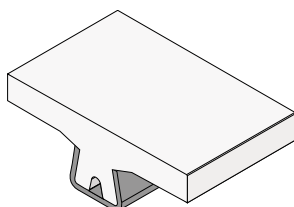
Part	Article-Nr.	L	T	Metal profile	Colour	Availability	Type
143	14363	3 m	1.9	AISI 304	white	On request	
143	14301C	3 m	1.5	AISI 304	white	Stock item	



141 Guida conica profilo a "T" 57,15 mm / Guide rail T-shape 57,15 mm / konische Führung flach (T) 57,15 mm

Delivery: **Easy** **Standard** Supply: 3 m bars

Part	Article-Nr.	L	T	Metal profile	Colour	Availability	Type
141	14163	3 m	1.9	AISI 304	white	On request	
141	14101C	3 m	1.5	AISI 304	white	Stock item	

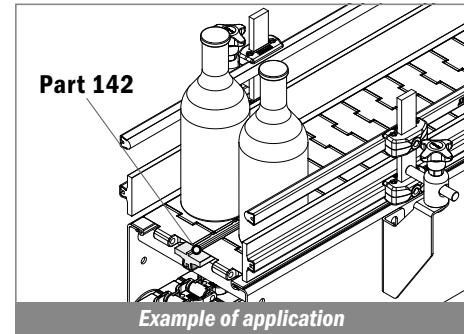
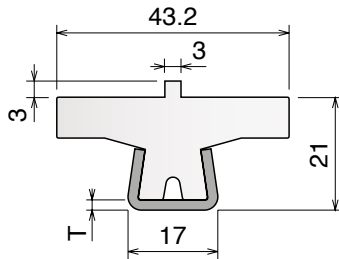
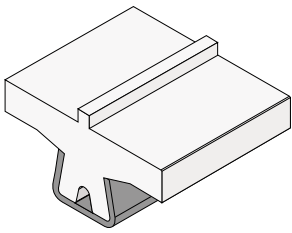


Material:
Metal profile: Stainless steel
Plastic profile: UHMW-PE

142 Guida conica profilo a "T" 43,2 mm / Guide rail T-shape 43,2 mm / konische Führung flach (T) 43,2 mm

Supply: 3 m bars

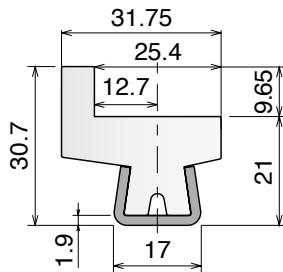
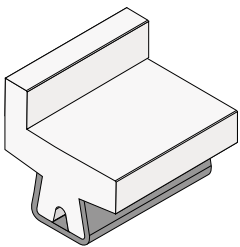
Part	Article-Nr.	L	T	Metal profile	Colour	Availability	Type
142	14263	3 m	1.9	AISI 304	white	On request	
142	14201C	3 m	1.5	AISI 304	white	Stock item	



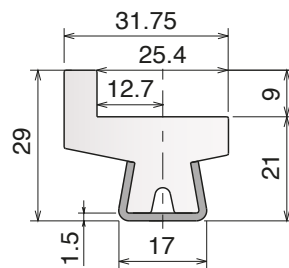
125 Guida conica profilo a "L" 31,75 mm / Guide rail L-shape 31,75 mm / konische Führung flach (L) 31,75 mm

Delivery: **Easy** Standard Supply: 3 m bars

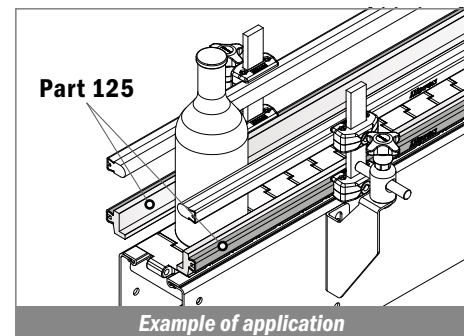
Part	Article-Nr.	L	T	Metal profile	Colour	Availability	Type
125	12563	3 m	1.9	AISI 304	white	Stock item	
125	12501C	3 m	1.5	AISI 304	white	Stock item	



PART 12563



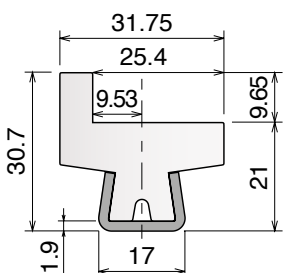
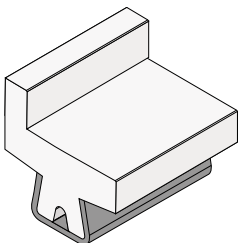
PART 12501C



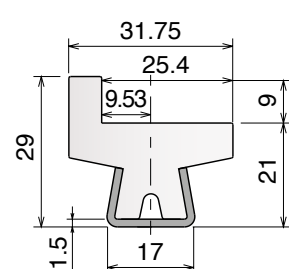
144 Guida conica profilo a "L" 31,75 mm / Guide rail L-shape 31,75 mm / konische Führung flach (L) 31,75 mm

Delivery: **Easy** Standard Supply: 3 m bars

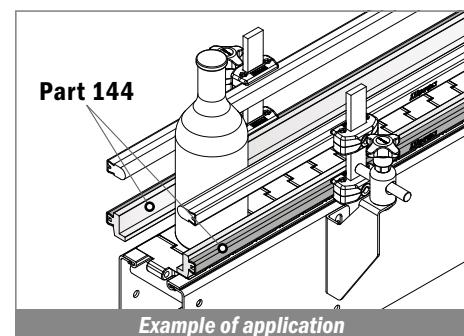
Part	Article-Nr.	L	T	Metal profile	Colour	Availability	Type
144	14463	3 m	1.9	AISI 304	white	Stock item	
144	14401C	3 m	1.5	AISI 304	white	Stock item	



PART 14463



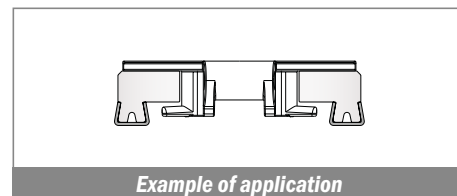
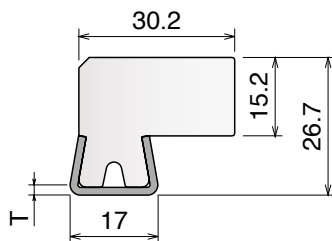
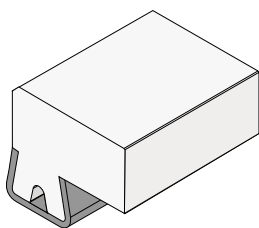
PART 14401C



184 Guida conica per catena / Guide rail for chain / konische Führung

Supply: 3 m bars

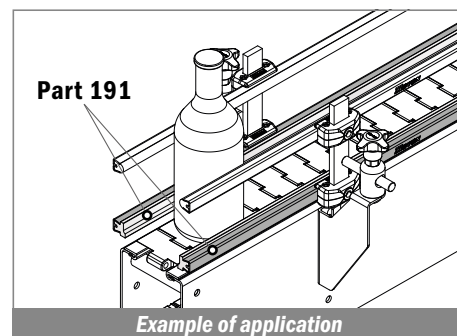
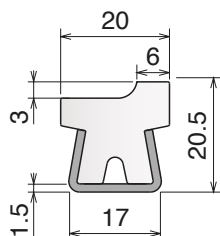
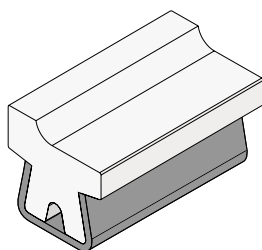
Part	Article-Nr.	L	T	Metal profile	Colour	Availability	Type
184	18463	3 m	1.9	AISI 304	white	On request	
184	18401C	3 m	1.5	AISI 304	white	Stock item	



191 Guida conica per catena / Guide rail for chain / konische Führung

Supply: 3 m bars

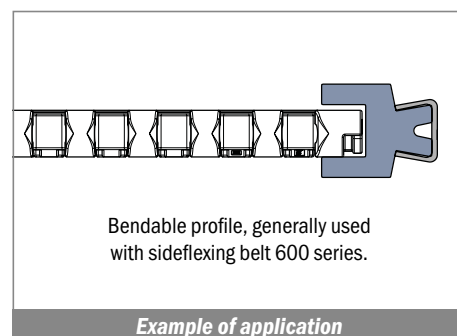
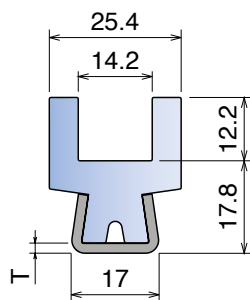
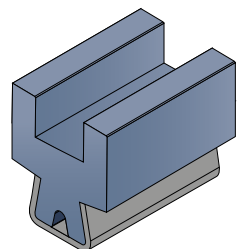
Part	Article-Nr.	L	T	Metal profile	Colour	Availability
191	19101C	3 m	1.9	AISI 304	white	On request



145 Guida tappeto / Belt side guide / Seitenführung für Mattenkette

Supply: 3 m bars

Part	Article-Nr.	L	T	Metal profile	Material	Availability	Type
145	14563	3 m	1.9	AISI 304	BluLub	On request	
145	14503C	3 m	1.5	AISI 304	BluLub	Stock item	



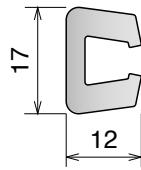
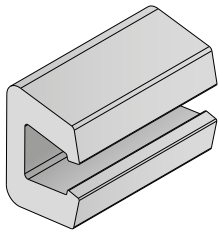
Material:

Polyethylene UHMW-PE with molecular density 5,600,000 g/mol
 Linear expansion coefficient: $1.1 \times 10^{-4} \text{ } ^\circ\text{F}^{-1}$ ($2 \times 10^{-4} \text{ } ^\circ\text{C}^{-1}$)
 Operating temperature: -40 to 176°F (-40 to +80°C)

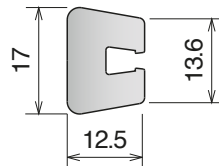
130 Profilo in alluminio / Aluminum rail for bottle guide / Aluminium profil

Delivery: **Easy** **Standard**

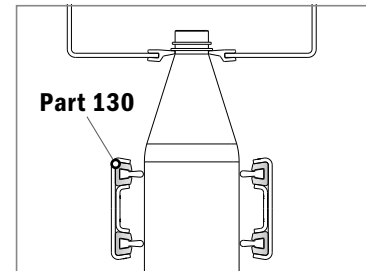
Part	Article-Nr.	L	Material	Type	Availability	Supply
130	13001C	3 m	Aluminium	A	Stock item	3 m bars
130	13001	6 m	Aluminium	A	On request	6 m bars
130	13002C	3 m	Aluminium	B	On request	3 m bars



Type A



Type B

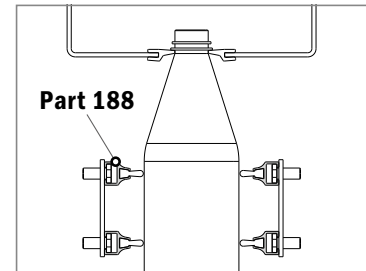
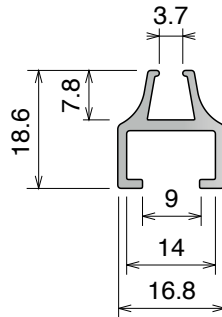
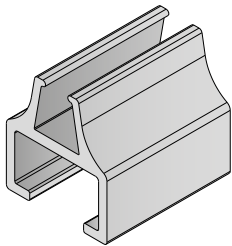


Example of application

188 Profilo in alluminio / Aluminum rail for bottle guide / Aluminium profil

Delivery: **Easy** **Standard**

Part	Article-Nr.	L	Material	Availability	Supply
188	18801C	3 m	Aluminium	Stock item	3 m bars
188	18801	6 m	Aluminium	On request	6 m bars

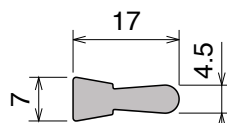
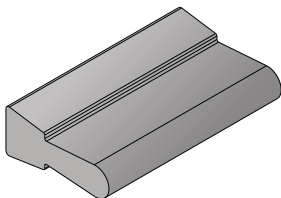


Example of application

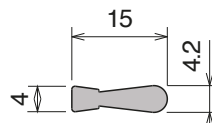
131 Profilo guida bottiglia / Plastic rail for bottle guide / Flaschenführungsprofil

Delivery: **Easy** **Standard**

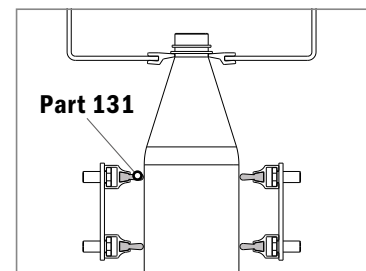
Part	Article-Nr.	Type	Colour	Availability	Supply
131	13101B	A	BluLub	Stock item	30 m coils
131	13101	A	grey	Stock item	30 m coils
131	13102B	B	BluLub	On request	30 m coils
131	13102	B	grey	On request	30 m coils



Type A



Type B



Example of application

199 Macchina curvatrice / Bending machine / Biegemaschine

Delivery: **Easy** **Standard**

Part	Article-Nr.
199	19999



Material:

Polyethylene UHMW-PE with molecular density 5,600,000 g/mol
 Linear expansion coefficient: $1.1 \times 10^{-4} \text{ } ^\circ\text{F}^{-1}$ ($2 \times 10^{-4} \text{ } ^\circ\text{C}^{-1}$)
 Operating temperature: -40 to 176°F (-40 to +80°C)

151

Rulli per macchina curvatrice / Roller for bending machine / Rollen für Biegemaschine

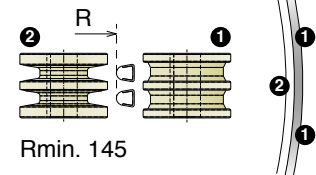
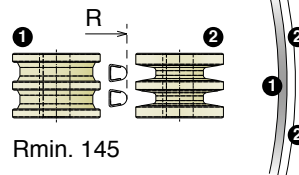


Internal curve

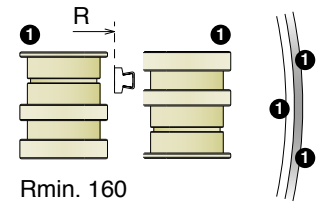
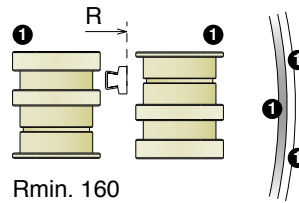
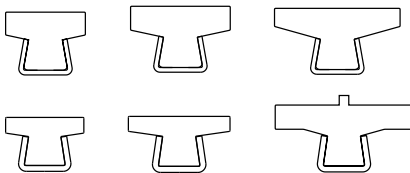


External curve

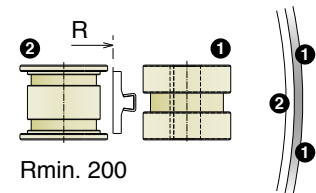
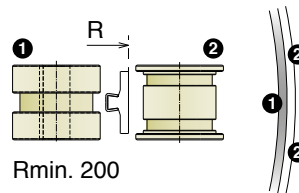
Part	Article-Nr.	Suitable for Part.
151	15101	119 - 120 - 121 - 152



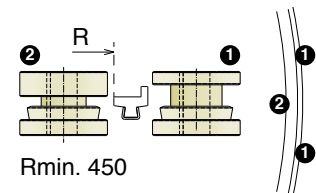
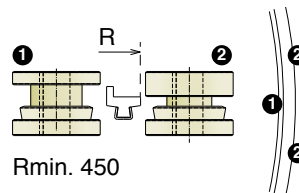
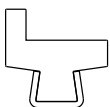
Part	Article-Nr.	Suitable for Part.
151	15102	122 - 123 - 124 - 142 - 140 - 146



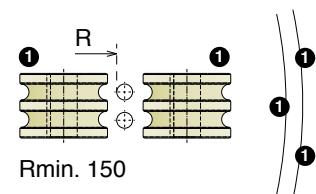
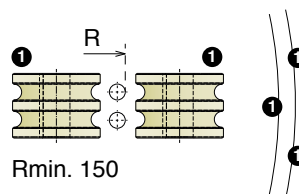
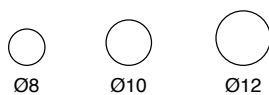
Part	Article-Nr.	Suitable for Part.
151	15103	141



Part	Article-Nr.	Suitable for Part.
151	15104	144



Part	Article-Nr.	Suitable for Part.
151	15105	for Ø8-Ø10-Ø12 - Ø1/2"-Ø5/8"



Material:

Polyethylene UHMW-PE with molecular density 5,600,000 g/mol
 Linear expansion coefficient: $1.1 \times 10^{-4} \text{ } ^\circ\text{F}^{-1}$ ($2 \times 10^{-4} \text{ } ^\circ\text{C}^{-1}$)
 Operating temperature: -40 to 176°F (-40 to +80°C)

151

Rulli per macchina curvatrice / Roller for bending machine / Rollen für Biegemaschine

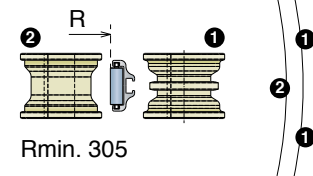
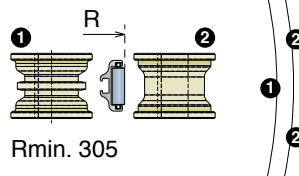


Internal curve

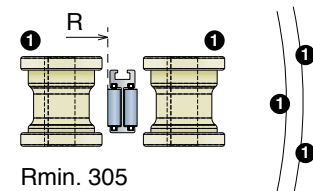
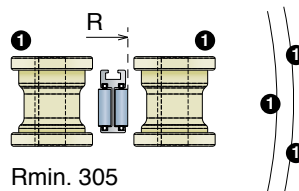
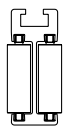


External curve

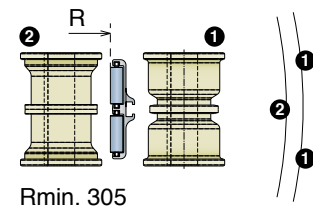
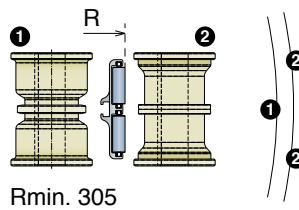
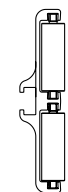
Part	Article-Nr.	Suitable for Part.
151	15109	358



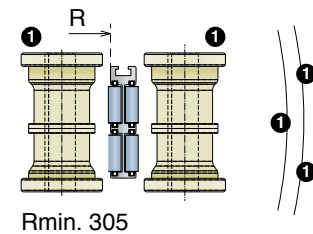
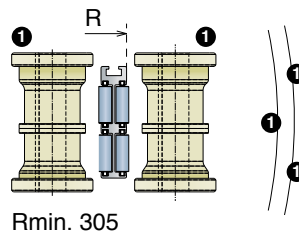
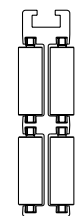
Part	Article-Nr.	Suitable for Part.
151	15110	360



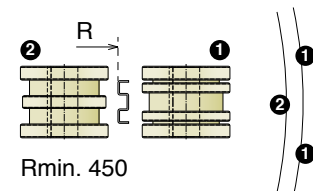
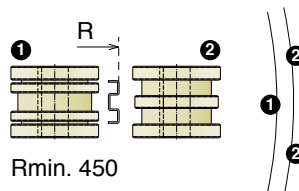
Part	Article-Nr.	Suitable for Part.
151	15106	359



Part	Article-Nr.	Suitable for Part.
151	15107	361



Part	Article-Nr.	Suitable for Part.
151	15108	117

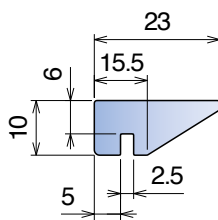
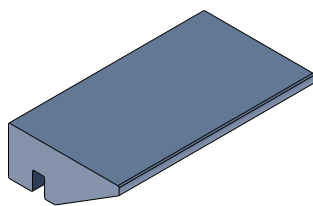


170-168-169-1036

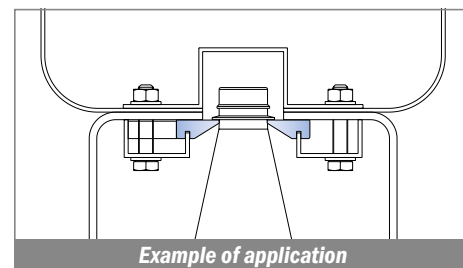
Guide estruse / Extruded profiles / Extrudiertes profil

Material: Polyethylene UHMW-PE with molecular density 9,200,000 g/mo. **BluLub**, new material with reduced coefficient of friction and higher wear resistance. BluLub complies with the code of Federal Regulations of FDA. Linear expansion coefficient: $1.1 \times 10^{-4} \text{ } ^\circ\text{F}^{-1}$ ($2 \times 10^{-4} \text{ } ^\circ\text{C}^{-1}$) Operating temperature: -40 to 176 °F (-40 to +80 °C)

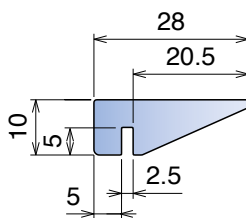
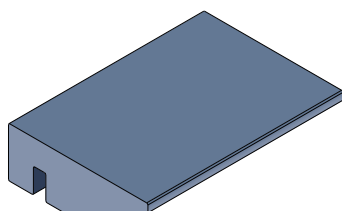
170 Guida collo / Neck guide / Nackenführung



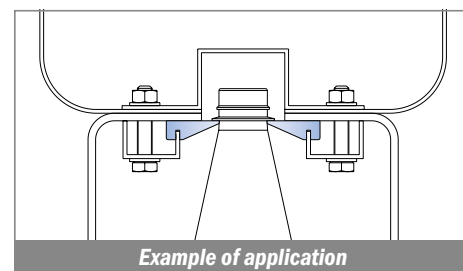
Part	Article-Nr.	L	Material	Availability	Supply
170	17001B	3 m	BluLub	Stock item	3 m bars
170	17002B	6 m	BluLub	On request	6 m bars
170	17000B	30 m	BluLub	On request	30 m coils



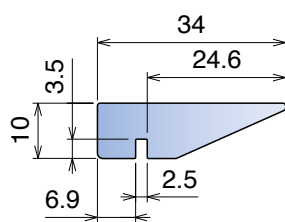
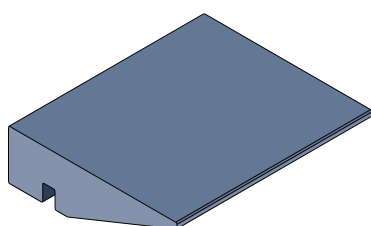
168 Guida collo / Neck guide / Nackenführung



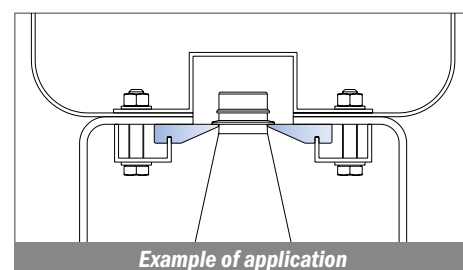
Part	Article-Nr.	L	Material	Availability	Supply
168	16801B	3 m	BluLub	Stock item	3 m bars
168	16802B	6 m	BluLub	On request	6 m bars
168	16800B	30 m	BluLub	On request	30 m coils



169 Guida collo / Neck guide / Nackenführung

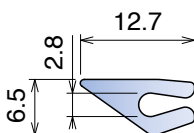
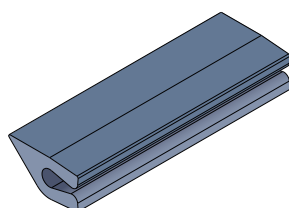


Part	Article-Nr.	L	Material	Availability	Supply
169	16901B	3 m	BluLub	Stock item	3 m bars
169	16902B	6 m	BluLub	On request	6 m bars
169	16900B	30 m	BluLub	On request	30 m coils

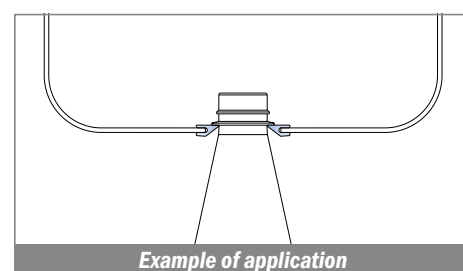


1036 Guida collo / Neck guide / Nackenführung

Fit on 1.8 - 2 mm



Part	Article-Nr.	L	Material	Availability	Supply
1036	103600B	30 m	BluLub	Stock item	30 m coils



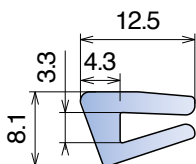
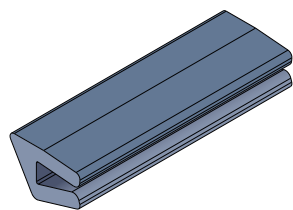
Material: Polyethylene UHMW-PE with molecular density 9,200,000 g/mo.
BluLub, new material with reduced coefficient of friction and higher wear resistance.
 BluLub complies with the code of Federal Regulations of FDA. Linear expansion coefficient:
 $1.1 \times 10^{-4} \text{ } ^\circ\text{F}^{-1}$ ($2 \times 10^{-4} \text{ } ^\circ\text{C}^{-1}$) Operating temperature: -40 to 176 °F (-40 to +80 °C)

1037-167-171-172

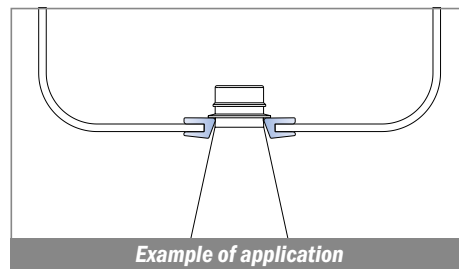
Guide estruse / Extruded profiles / Extrudiertes profil

1037 Guida collo / Neck guide / Nackenführung

Delivery: **Easy** **Standard** Fit on 3 mm

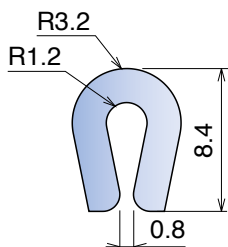
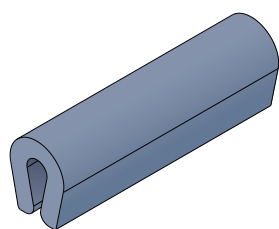


Part	Article-Nr.	L	Material	Availability	Supply
1037	103700B	30 m	BluLub	Stock item	30 m coils

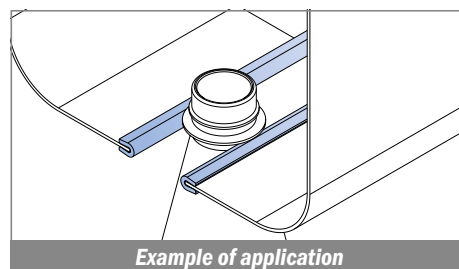


167 Guida collo / Neck guide / Nackenführung

Delivery: **Easy** **Standard** Fit on 1.8 - 2 mm

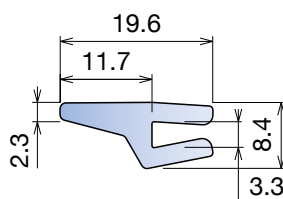
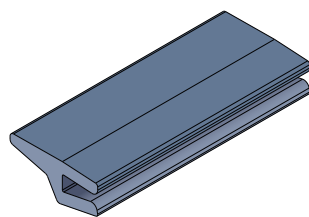


Part	Article-Nr.	L	Material	Availability	Supply
167	16700BC	3 m	BluLub	Stock item	3 m bars
167	16700B	6 m	BluLub	Stock item	6 m bars
167	16700B-30	30 m	BluLub	Stock item	30 m coils
167	16700B-75	75 m	BluLub	Stock item	75 m coils

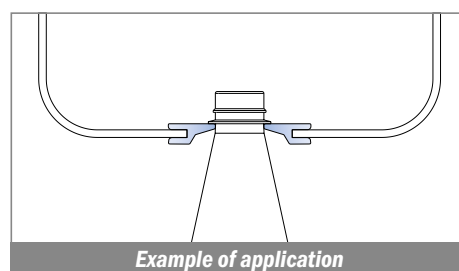


171 Guida collo / Neck guide / Nackenführung

Delivery: **Easy** **Standard** Fit on 3 mm

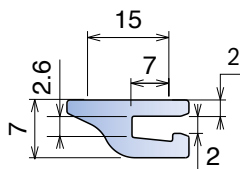
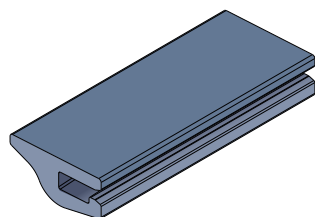


Part	Article-Nr.	L	Material	Availability	Supply
171	17100B	30 m	BluLub	Stock item	30 m coils

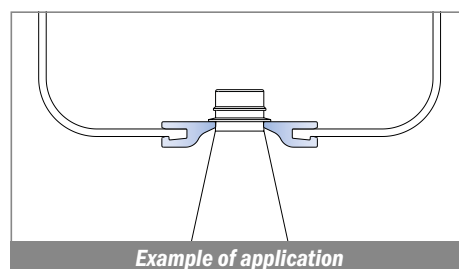


172 Guida collo / Neck guide / Nackenführung

Delivery: **Easy** **Standard** Fit on 3 mm



Part	Article-Nr.	L	Material	Availability	Supply
172	17200B	30 m	BluLub	Stock item	30 m coils

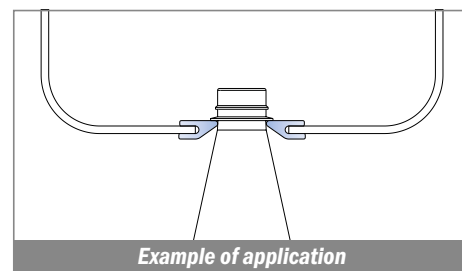
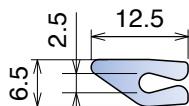
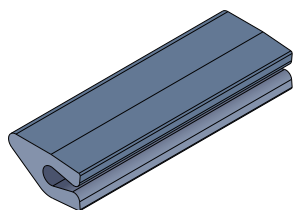


Material: Polyethylene UHMW-PE with molecular density 9,200,000 g/mo. **BluLub**, new material with reduced coefficient of friction and higher wear resistance. BluLub complies with the code of Federal Regulations of FDA. Linear expansion coefficient: $1.1 \times 10^{-4} \text{ } ^\circ\text{F}^{-1}$ ($2 \times 10^{-4} \text{ } ^\circ\text{C}^{-1}$) Operating temperature: -40 to 176 °F (-40 to +80 °C)

173 Guida collo / Neck guide / Nackenführung

Delivery: **Easy** **Standard** Fit on 1.8 - 2 mm

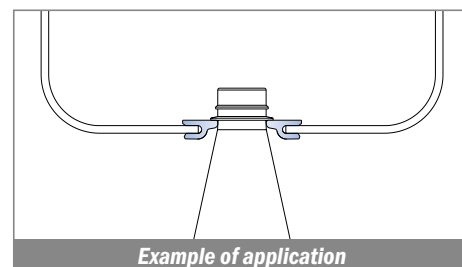
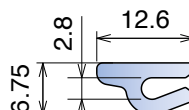
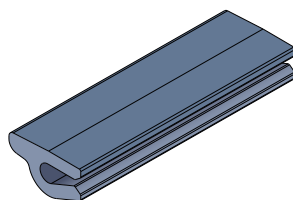
Part	Article-Nr.	L	Material	Availability	Supply
173	17300B	30 m	BluLub	Stock item	30 m coils



192 Guida collo / Neck guide / Nackenführung

Fit on 1.8 - 2 mm

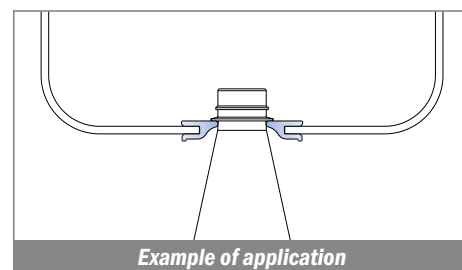
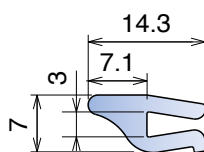
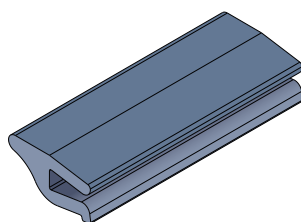
Part	Article-Nr.	L	Material	Availability	Supply
192	19200B	30 m	BluLub	Stock item	30 m coils



1062 Guida collo / Neck guide / Nackenführung

Delivery: **Easy** **Standard** Fit on 1.8 - 2 mm

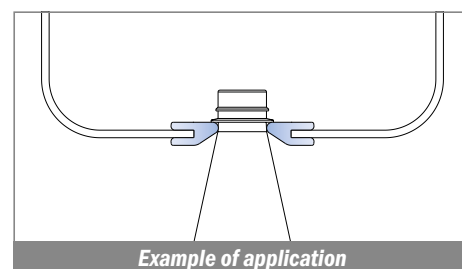
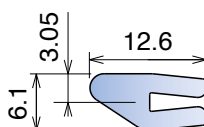
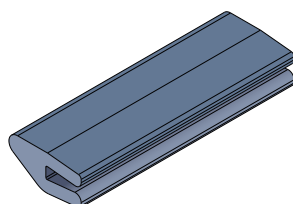
Part	Article-Nr.	L	Material	Availability	Supply
1062	106200B	30 m	BluLub	Stock item	30 m coils



1072 Guida collo / Neck guide / Nackenführung

Delivery: **Easy** **Standard** Fit on 1.8 - 2 mm

Part	Article-Nr.	L	Material	Availability	Supply
1072	107200B	30 m	BluLub	Stock item	30 m coils



Material: Polyethylene UHMW-PE with molecular density 9,200,000 g/mo.
BluLub, new material with reduced coefficient of friction and higher wear resistance.
 BluLub complies with the code of Federal Regulations of FDA. Linear expansion coefficient:
 $1.1 \times 10^{-4} \text{ } ^\circ\text{F}^{-1}$ ($2 \times 10^{-4} \text{ } ^\circ\text{C}^{-1}$) Operating temperature: -40 to 176 °F (-40 to +80 °C)

1073

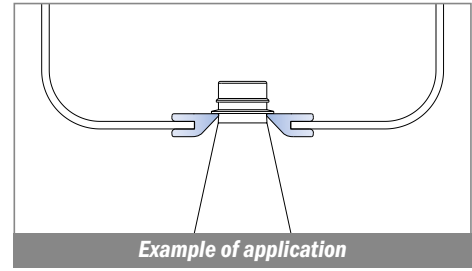
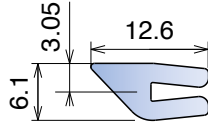
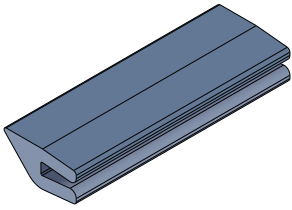
Guide estruse / Extruded profiles / Extrudiertes profil

1073

Guida collo / Neck guide / Nackenführung

Delivery: **Easy** **Standard** Fit on 1.8 - 2 mm

Part	Article-Nr.	L	Material	Availability	Supply
1073	107300B	30 m	BluLub	Stock item	30 m coils



163-160-161

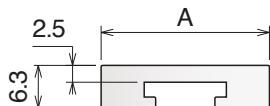
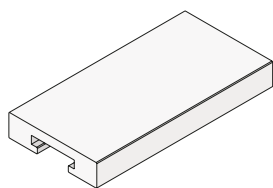
Guide estruse / Extruded profiles / Extrudiertes profil

Material:

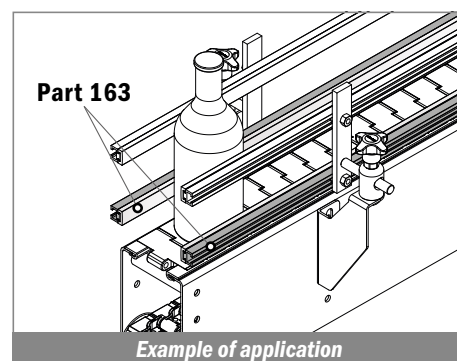
Polyethylene UHMW-PE with molecular density 5,600,000 g/mol
 Linear expansion coefficient: $1.1 \times 10^{-4} \text{ } ^\circ\text{F}^{-1}$ ($2 \times 10^{-4} \text{ } ^\circ\text{C}^{-1}$)
 Operating temperature: -40 to 176°F (-40 to +80°C)

163 Profilo 25 mm per guida in alluminio / Profile 25 mm for aluminum guide / C-Profil f. Aluminiumprofil

Coils available

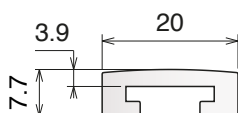
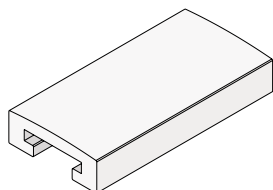


Part	Article-Nr.	A	L	Colour	Availability	Supply
163	16303C	25,4	3 m	white	Stock item	3 m bars
163	16303	25,4	6 m	white	On request	6 m bars
163	16313C	31,75	3 m	white	Stock item	3 m bars
163	16313	31,75	6 m	white	On request	6 m bars
163	16323C	35,0	3 m	white	Stock item	3 m bars
163	16323	35,0	6 m	white	On request	6 m bars
163	16324C	38,1	3 m	white	Stock item	3 m bars
163	16324	38,1	6 m	white	On request	6 m bars

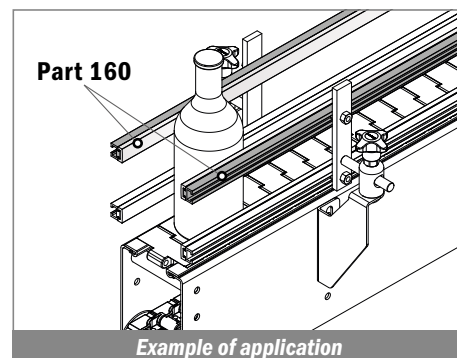


160 Profilo 20 mm per guida in alluminio / Profile 20 mm for aluminum guide / C-Profil f. Aluminiumprofil

Coils available

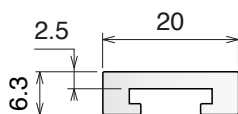
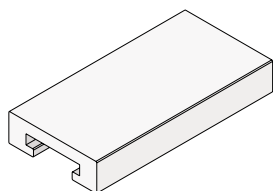


Part	Article-Nr.	L	Colour	Availability	Supply
160	16003C	3 m	white	Stock item	3 m bars
160	16003	6 m	white	On request	6 m bars

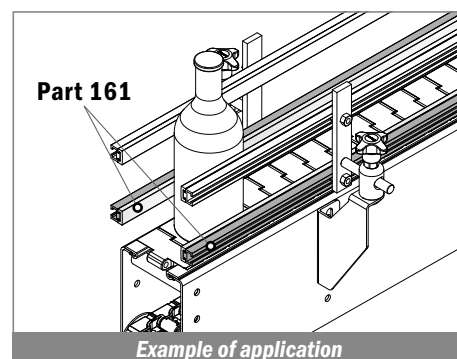


161 Profilo 20 mm per guida in alluminio / Profile 20 mm for aluminum guide / C-Profil f. Aluminiumprofil

Delivery: **Easy** **Standard** Coils available



Part	Article-Nr.	L	Colour	Availability	Supply
161	16103C	3 m	white	Stock item	3 m bars
161	16103	6 m	white	On request	6 m bars

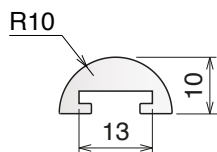
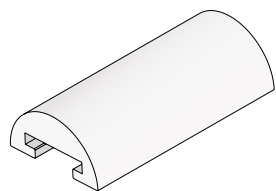


Material:

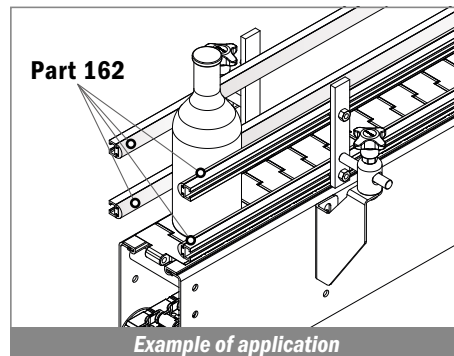
Polyethylene UHMW-PE with molecular density 5,600,000 g/mol
 Linear expansion coefficient: $1.1 \times 10^{-4} \text{ } ^\circ\text{F}^{-1}$ ($2 \times 10^{-4} \text{ } ^\circ\text{C}^{-1}$)
 Operating temperature: -40 to 176°F (-40 to +80°C)

162 Profilo tondo per guida in alluminio / Round profile for aluminum guide / Pilzprofil f. Aluminiumprofil

Coils available

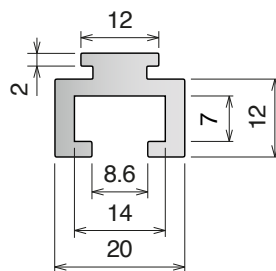
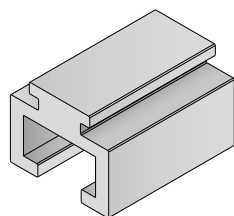


Part	Article-Nr.	L	Colour	Availability	Supply
162	16202C	3 m	green	Stock item	3 m bars
162	16202	6 m	green	On request	6 m bars
162	16203C	3 m	white	Stock item	3 m bars
162	16203	6 m	white	On request	6 m bars

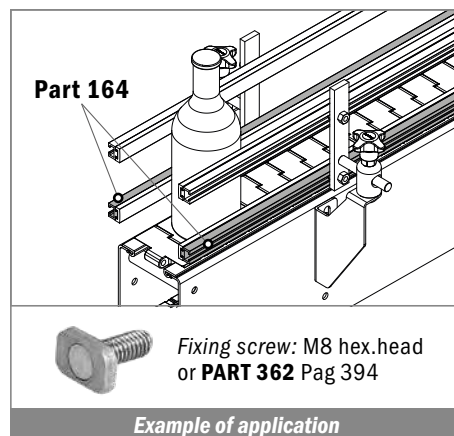


164 Guida in alluminio / Aluminum guide / Aluminiumprofil

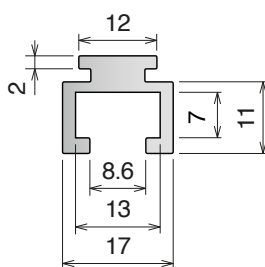
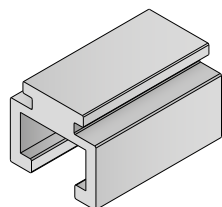
Delivery: **Easy** Standard



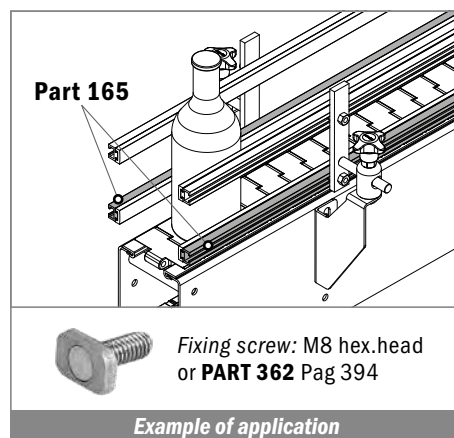
Part	Article-Nr.	L	Material	Availability	Supply
164	16401C	3 m	Aluminium	Stock item	3 m bars
164	16401	6 m	Aluminium	On request	6 m bars



165 Guida in alluminio / Aluminum guide / Aluminiumprofil



Part	Article-Nr.	L	Material	Availability	Supply
165	16501C	3 m	Aluminium	Stock item	3 m bars
165	16501	6 m	Aluminium	On request	6 m bars

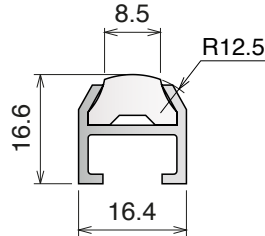
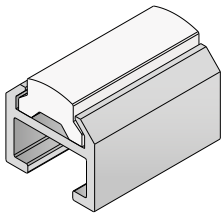


Material:

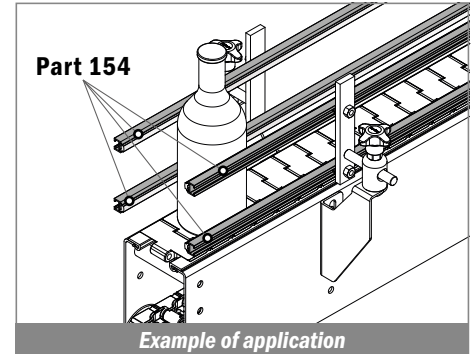
Polyethylene UHMW-PE with molecular density 5,600,000 g/mol
 Linear expansion coefficient: $1.1 \times 10^{-4} \text{ } ^\circ\text{F}^{-1}$ ($2 \times 10^{-4} \text{ } ^\circ\text{C}^{-1}$)
 Operating temperature: -40 to 176°F (-40 to +80°C)

154 Guida laterale / Side guide rail / Seitenführungen

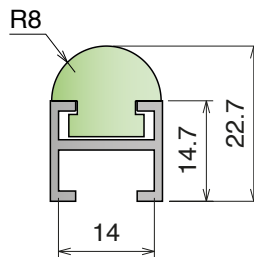
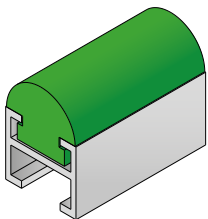
Delivery: **Easy** Standard



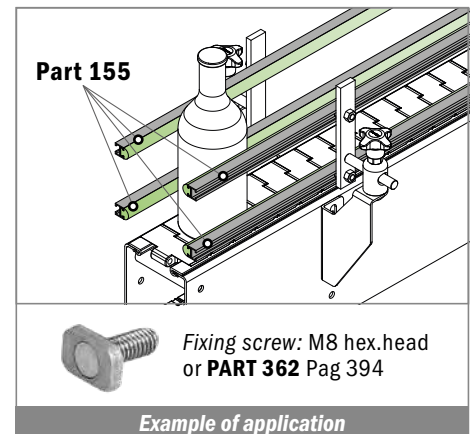
Part	Article-Nr.	L	Colour	Availability	Supply
154	15401C	3 m	white	Stock item	3 m bars
154	15401	6 m	white	On request	6 m bars
154	15401BC	3 m	BluLub	Stock item	3 m bars
154	15401B	6 m	BluLub	On request	6 m bars



155 Guida laterale / Side guide rail / Seitenführungen

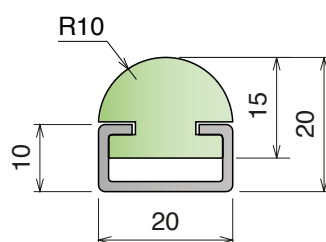
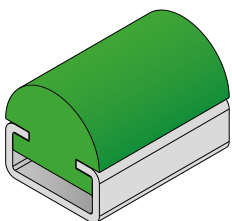


Part	Article-Nr.	L	Colour	Availability	Supply
155	15501C	3 m	green	Stock item	3 m bars
155	15501	6 m	green	On request	6 m bars

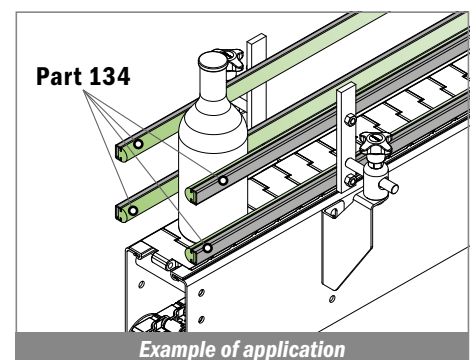


134 Guida standard / Standard guide rail / Seitenführung

Delivery: **Easy** Standard



Part	Article-Nr.	L	Colour	Availability	Supply
134	13401C	3 m	green	Stock item	3 m bars
134	13401	6 m	green	On request	6 m bars



Material:

Polyethylene UHMW-PE with molecular density 5,600,000 g/mol
 Linear expansion coefficient: $1.1 \times 10^{-4} \text{ } ^\circ\text{F}^{-1}$ ($2 \times 10^{-4} \text{ } ^\circ\text{C}^{-1}$)
 Operating temperature: -40 to 176°F (-40 to +80°C)

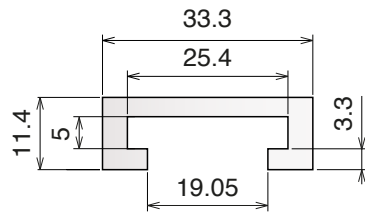
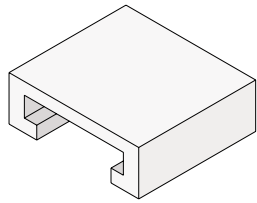
1041-1042-1043

Guide estruse / Extruded profiles / Extrudiertes profil

1041

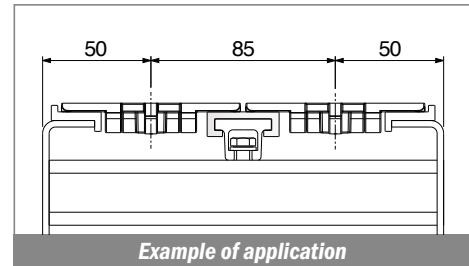
Profilo "C" / C-Profile / C-Profil

Fit on 5 x 25 mm



North America STANDARD

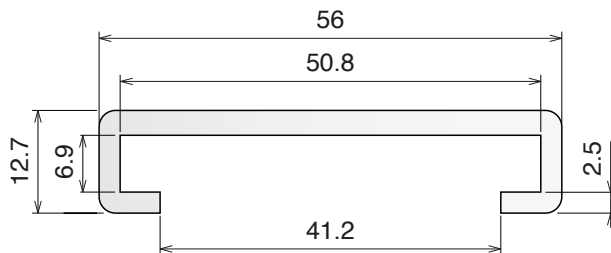
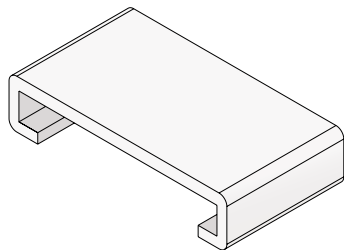
Part	Article-Nr.	L	Colour	Availability	Supply
1041	104103C	3 m	white	On request	3 m bars
1041	104103	6 m	white	On request	6 m bars



1042

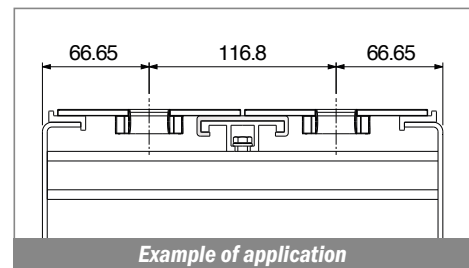
Profilo "C" / C-Profile / C-Profil

Fit on 6 x 50 mm



North America STANDARD

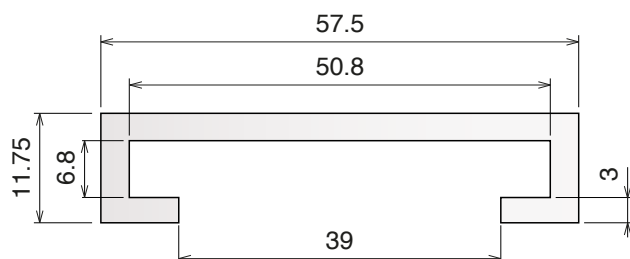
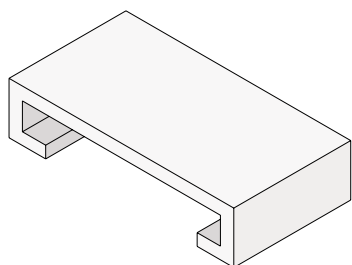
Part	Article-Nr.	L	Colour	Availability	Supply
1042	104203C	3 m	white	On request	3 m bars
1042	104203	6 m	white	On request	6 m bars



1043

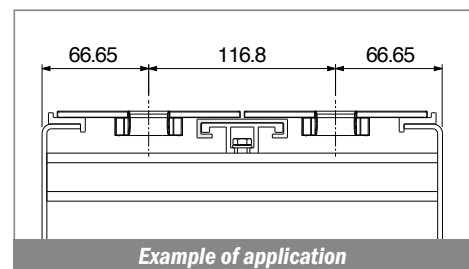
Profilo "C" / C-Profile / C-Profil

Fit on 6 x 50 mm



North America STANDARD

Part	Article-Nr.	L	Colour	Availability	Supply
1043	104303C	3 m	white	On request	3 m bars
1043	104303	6 m	white	On request	6 m bars



1044-1045-1053

Guide estruse / Extruded profiles / Extrudiertes Profil

Material:

Polyethylene UHMW-PE with molecular density 5,600,000 g/mol
 Linear expansion coefficient: $1.1 \times 10^{-4} \text{ } ^\circ\text{F}^{-1}$ ($2 \times 10^{-4} \text{ } ^\circ\text{C}^{-1}$)
 Operating temperature: -40 to 176°F (-40 to +80°C)

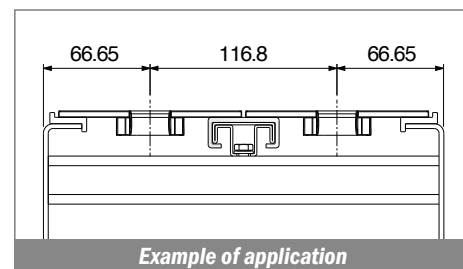
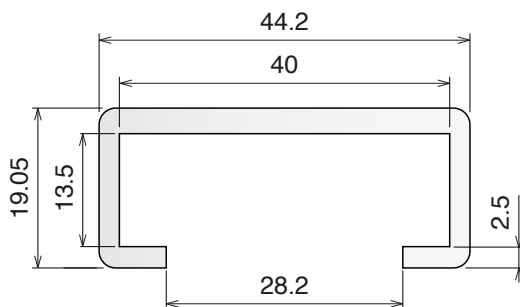
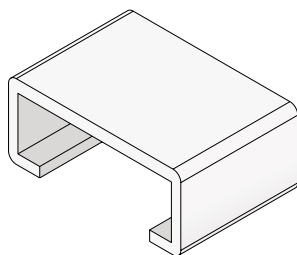
1044

Profilo "C" / C-Profile / C-Profil

Fit on 12.7 x 38.1 mm

North America STANDARD

Part	Article-Nr.	L	Colour	Availability	Supply
1044	104403C	3 m	white	On request	3 m bars
1044	104403	6 m	white	On request	6 m bars



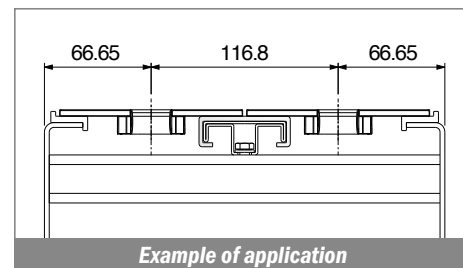
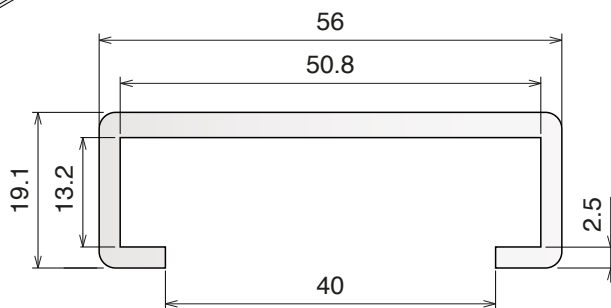
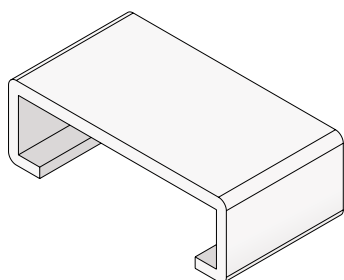
1045

Profilo "C" / C-Profile / C-Profil

Fit on 12.7 x 50.8 mm

North America STANDARD

Part	Article-Nr.	L	Colour	Availability	Supply
1045	104503C	3 m	white	On request	3 m bars
1045	104503	6 m	white	On request	6 m bars



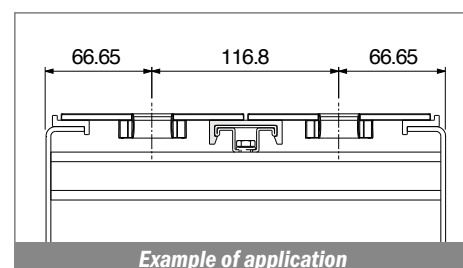
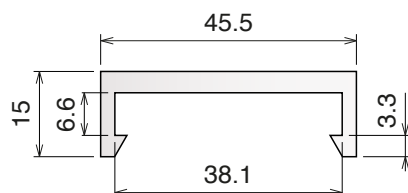
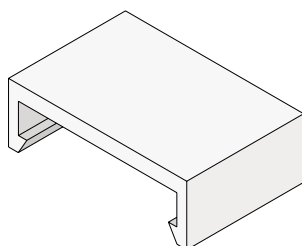
1053

Copri profilo / Bar cover / Abdeckprofil

Fit on 6.35 x 38.1 mm

North America STANDARD

Part	Article-Nr.	L	Colour	Availability	Supply
1053	105303C	3 m	white	On request	3 m bars
1053	105303	6 m	white	On request	6 m bars

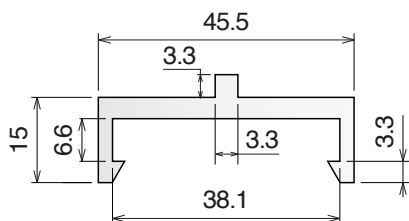
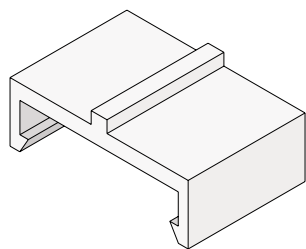


Material:

Polyethylene UHMW-PE with molecular density 5,600,000 g/mol
 Linear expansion coefficient: $1.1 \times 10^{-4} \text{ } ^\circ\text{F}^{-1}$ ($2 \times 10^{-4} \text{ } ^\circ\text{C}^{-1}$)
 Operating temperature: -40 to 176°F (-40 to +80°C)

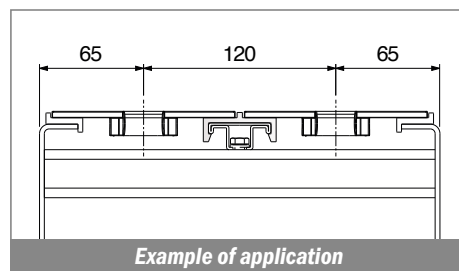
1054 Copri profilo / Bar cover / Abdeckprofil

Fit on 6.35 x 38.1 mm



North America STANDARD

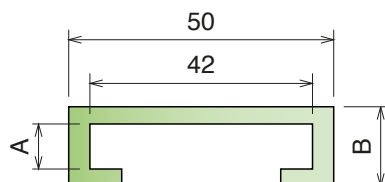
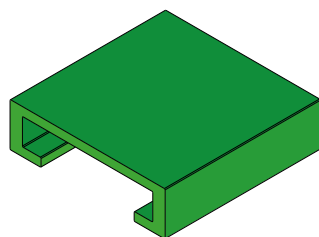
Part	Article-Nr.	L	Colour	Availability	Supply
1054	105403C	3 m	white	On request	3 m bars
1054	105403	6 m	white	On request	6 m bars



Example of application

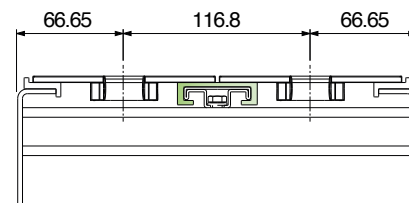
137 Profilo "C" / C-Profile / C-Profil

Delivery: **Easy** **Standard**

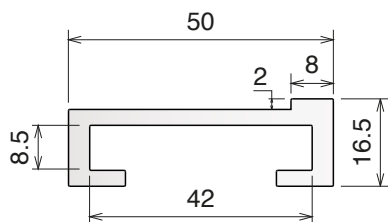
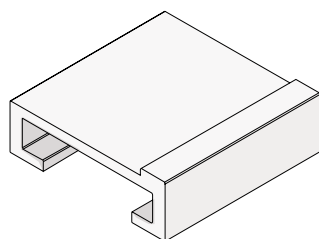


Part	Article-Nr.	L	A	B	Colour	Availability	Supply
137	13701C	3 m	8,5	14	green	Stock item	3 m bars
137	13701	6 m	8,5	14	green	On request	6 m bars
137	13701BC	3 m	8,5	14	BluLub	Stock item	3 m bars
137	13701B	6 m	8,5	14	BluLub	On request	6 m bars
137	13702C	3 m	8,5	14	black	Stock item	3 m bars
137	13702	6 m	8,5	14	black	On request	6 m bars
137	13711C	3 m	10,5	16	green	Stock item	3 m bars
137	13711	6 m	10,5	16	green	On request	6 m bars
137	13711BC	3 m	10,5	16	BluLub	Stock item	3 m bars
137	13711B	6 m	10,5	16	BluLub	On request	6 m bars

USE WITH STEEL 40 x 8 mm or 40 x 10 mm

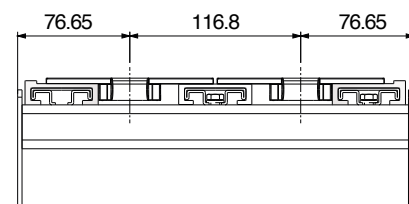


Example of application



Part	Article-Nr.	L	Colour	Availability	Supply
137	13720	6 m	white	On request	6 m bars

USE WITH STEEL 40 x 8 mm



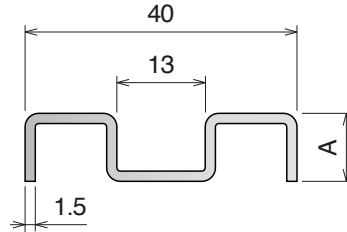
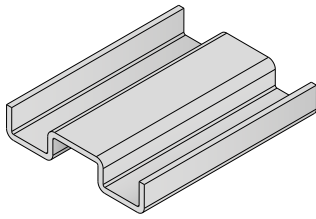
Example of application

Material:

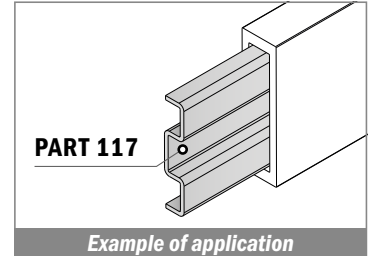
Polyethylene UHMW-PE with molecular density 5,600,000 g/mol
 Linear expansion coefficient: $1.1 \times 10^{-4} \text{ } ^\circ\text{F}^{-1}$ ($2 \times 10^{-4} \text{ } ^\circ\text{C}^{-1}$)
 Operating temperature: -40 to 176°F (-40 to +80°C)

117 Profilo Omega / M-Profile / M-Profil

Delivery: **Easy** Standard

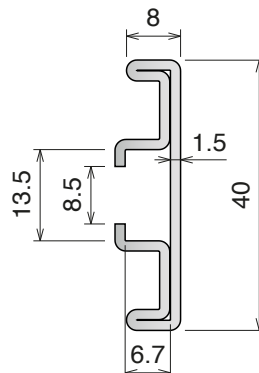
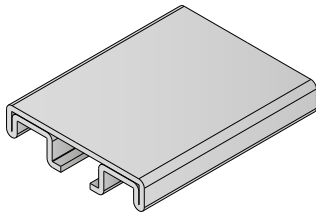


Part	Article-Nr.	L	A	Material	Availability	Supply
117	11701C	3 m	8	AISI 304	Stock item	3 m bars
117	11701	6 m	8	AISI 304	On request	6 m bars
117	11702C	3 m	10	AISI 304	Stock item	3 m bars
117	11702	6 m	10	AISI 304	On request	6 m bars
117	11703C	3 m	6	AISI 304	Stock item	3 m bars
117	11703	6 m	6	AISI 304	On request	6 m bars

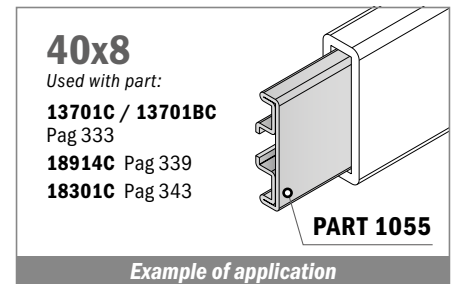


1055 Guida in acciaio inox / Stainless steel guide / Edelstahlprofil

Delivery: Easy **Standard**

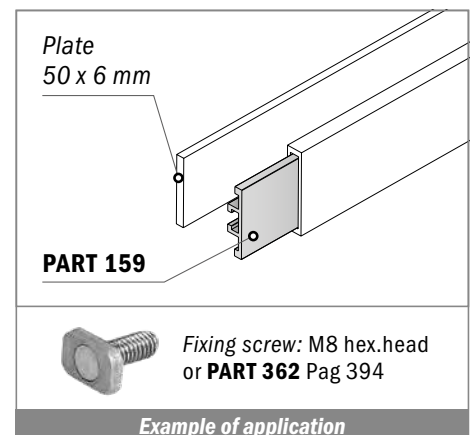
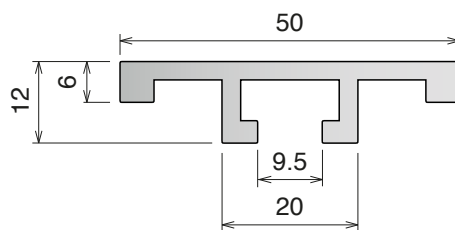
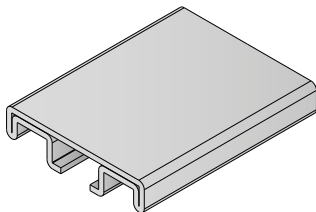


Part	Article-Nr.	L	Material	Availability	Supply
1055	105501C	3 m	AISI 304	Stock item	3 m bars
1055	105501	6 m	AISI 304	On request	6 m bars



159 Guida in alluminio / Aluminum guide / Aluminiumprofil

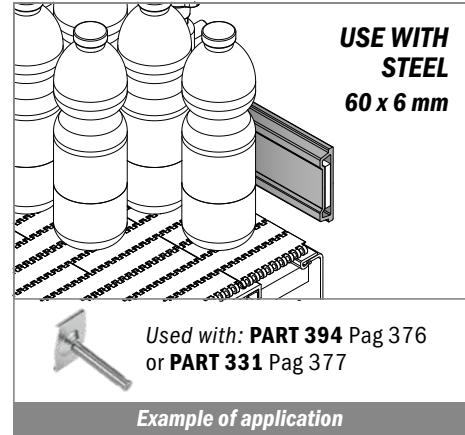
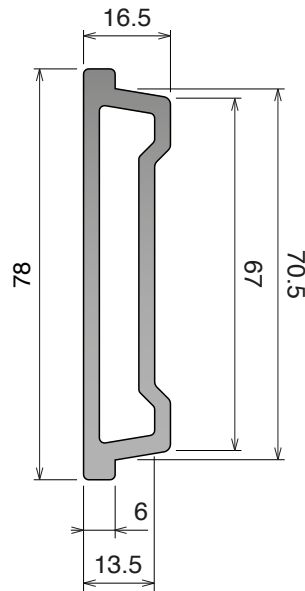
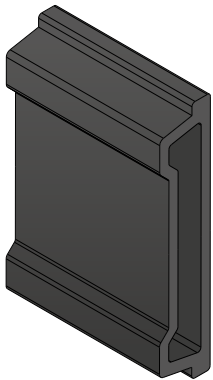
Part	Article-Nr.	L	Material	Availability	Supply
159	15901C	3 m	Aluminium	Stock item	3 m bars
159	15901	6 m	Aluminium	On request	6 m bars



135 Guida laterale H.78 mm / Side guide H.78 mm / Seitenführung H.78 mm

Delivery: **Easy** **Standard** For plate: 60 x 6 mm

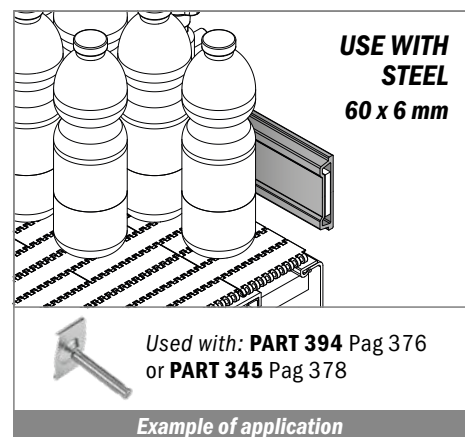
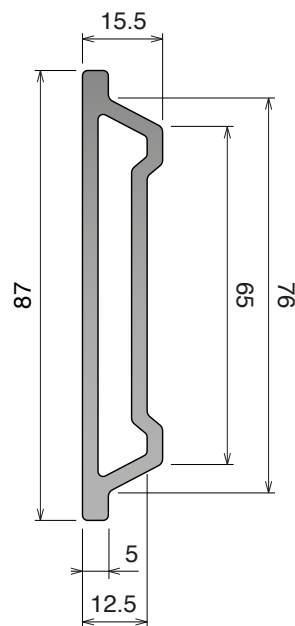
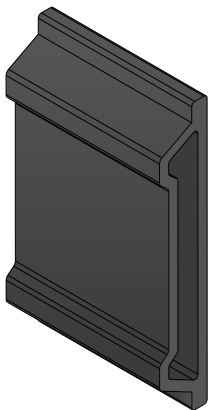
Part	Article-Nr.	L	Colour	Availability	Supply
135	13501C	3 m	black	Stock item	3 m bars
135	13501	6 m	black	On request	6 m bars
135	13502C	3 m	blu	Stock item	3 m bars
135	13502	6 m	blu	On request	6 m bars



136 Guida laterale H.87 mm / Side guide H.87 mm / Seitenführung H.87 mm

Delivery: **Easy** **Standard** For plate: 60 x 6 mm

Part	Article-Nr.	L	Colour	Availability	Supply
136	13601C	3 m	black	Stock item	3 m bars
136	13601	6 m	black	On request	6 m bars
136	13602C	3 m	blu	Stock item	3 m bars
136	13602	6 m	blu	On request	6 m bars



1063-1064

Guide estruse / Extruded profiles / Extrudiertes profil

Material:

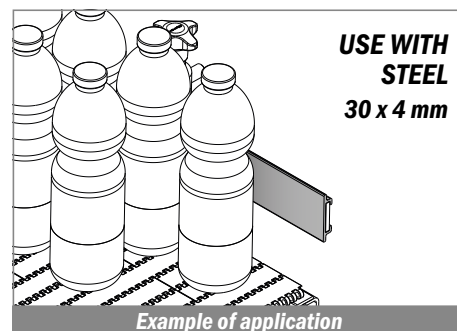
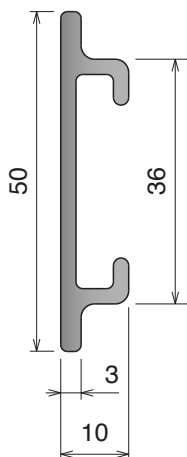
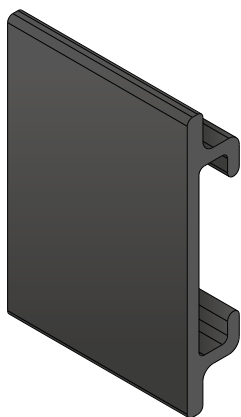
Polyethylene UHMW-PE with molecular density 5,600,000 g/mol
 Linear expansion coefficient: $1.1 \times 10^{-4} \text{ } ^\circ\text{F}^{-1}$ ($2 \times 10^{-4} \text{ } ^\circ\text{C}^{-1}$)
 Operating temperature: -40 to 176°F (-40 to +80°C)

1063

Guida laterale / Side guide rail / Seitenführung

Delivery: **Easy** **Standard** For plate: 30 x 4 mm

Part	Article-Nr.	L	Colour	Availability	Supply
1063	106301C	3 m	black	Stock item	3 m bars
1063	106302C	3 m	green	Stock item	3 m bars

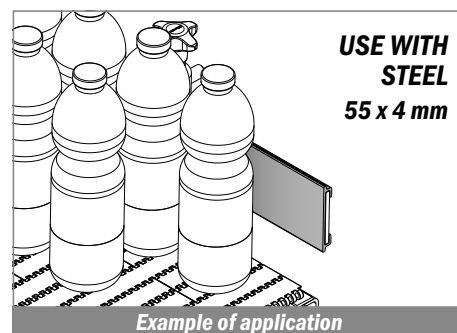
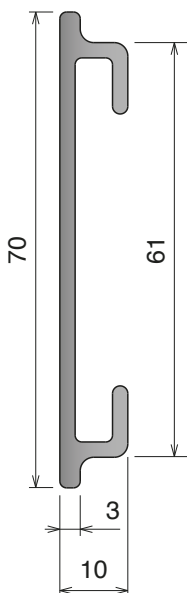
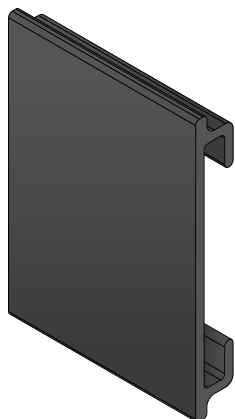


1064

Guida laterale / Side guide rail / Seitenführung

Delivery: **Easy** **Standard** For plate: 55 x 4 mm

Part	Article-Nr.	L	Colour	Availability	Supply
1064	106401C	3 m	black	Stock item	3 m bars

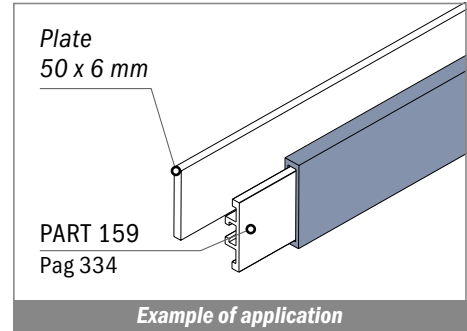
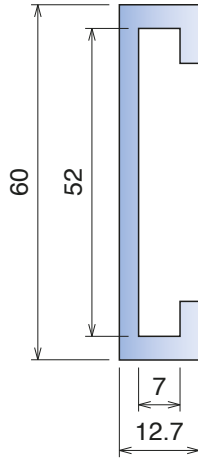
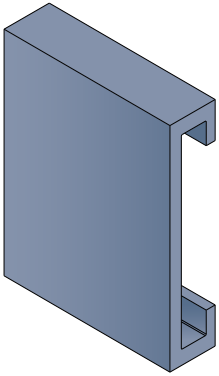


Material: Polyethylene UHMW-PE with molecular density 9,200,000 g/mo.
BluLub, new material with reduced coefficient of friction and higher wear resistance.
 BluLub complies with the code of Federal Regulations of FDA. Linear expansion coefficient:
 $1.1 \times 10^{-4} \text{ } ^\circ\text{F}^{-1}$ ($2 \times 10^{-4} \text{ } ^\circ\text{C}^{-1}$) Operating temperature: -40 to 176 °F (-40 to +80 °C)

158 Guida laterale / Side guide rail / Seitenführung

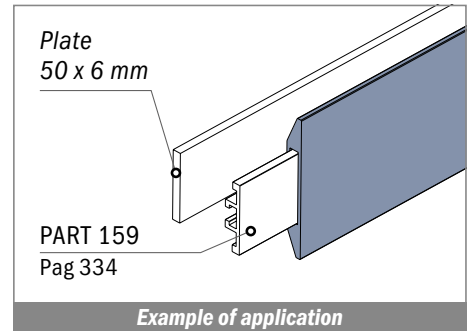
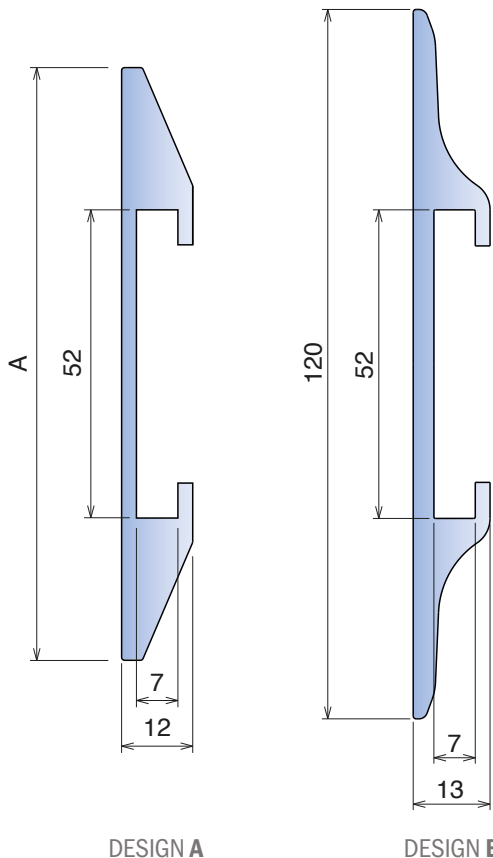
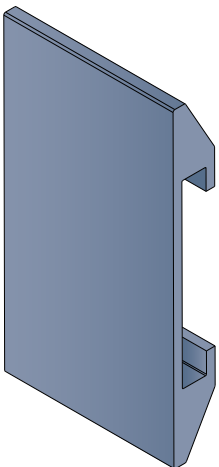
Delivery: **Easy** **Standard**

Part	Article-Nr.	L	Material	Availability	Supply
158	15800C	3 m	grey	Stock item	3 m bars
158	15800BC	3 m	BluLub	Stock item	3 m bars



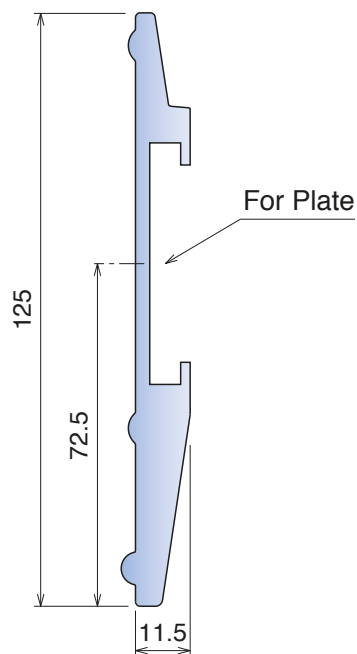
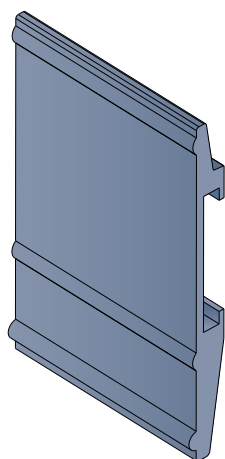
Guida laterale / Side guide rail / Seitenführung

Part	Article-Nr.	L	A	Material	Availability	Supply	Design
158	15801C	3 m	90	grey	On request	3 m bars	A
158	15801BC	3 m	90	BluLub	Stock item	3 m bars	A
158	15802C	3 m	100	grey	On request	3 m bars	A
158	15802BC	3 m	100	BluLub	Stock item	3 m bars	A
158	15803C	3 m	120	grey	On request	3 m bars	B
158	15803BC	3 m	120	BluLub	Stock item	3 m bars	B

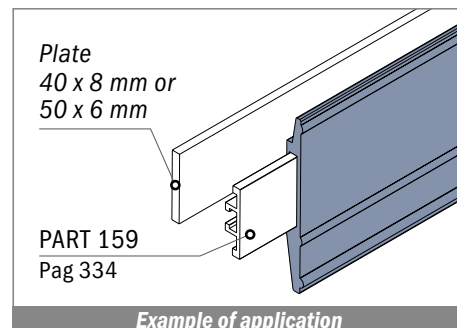


Material: Polyethylene UHMW-PE with molecular density 9,200,000 g/mo.
BluLub, new material with reduced coefficient of friction and higher wear resistance.
 BluLub complies with the code of Federal Regulations of FDA. Linear expansion coefficient:
 $1.1 \times 10^{-4} \text{ } ^\circ\text{F}^{-1}$ ($2 \times 10^{-4} \text{ } ^\circ\text{C}^{-1}$) Operating temperature: -40 to 176 °F (-40 to +80 °C)

182 Guida laterale / Side guide rail / Seitenführung

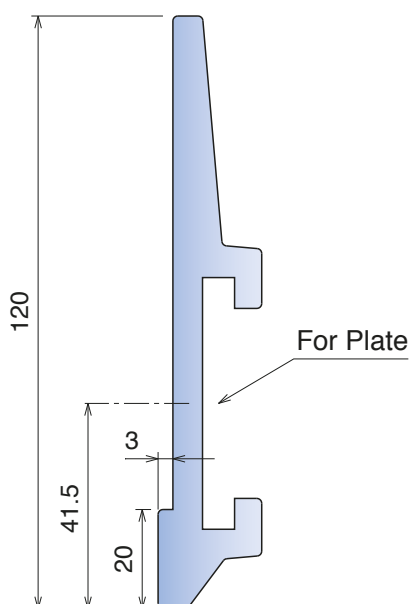
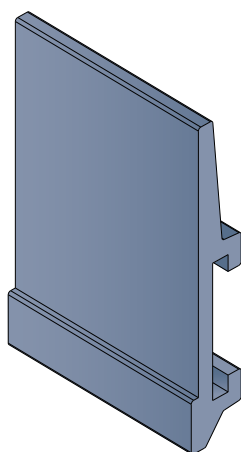


Part	Article-Nr.	L	For plate	Material	Availability	Supply
182	18214C	3 m	40 x 8 mm	grey	On request	3 m bars
182	18210BC	3 m	40 x 8 mm	BluLub	On request	3 m bars
182	18204C	3 m	50 x 6 mm	grey	Stock item	3 m bars
182	18200BC	3 m	50 x 6 mm	BluLub	Stock item	3 m bars

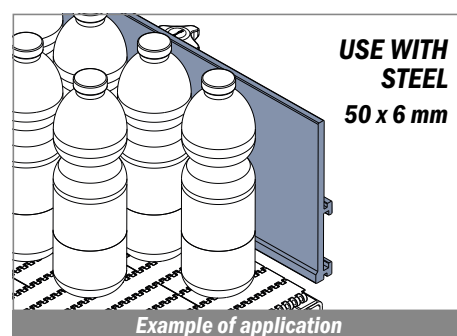


1065 Guida laterale / Side guide rail / Seitenführung

For plate: 50 x 6 mm



Part	Article-Nr.	L	Material	Availability	Supply
1065	106504C	3 m	grey	On request	3 m bars
1065	106500BC	3 m	BluLub	On request	3 m bars

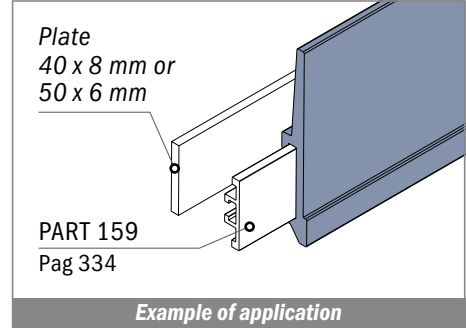
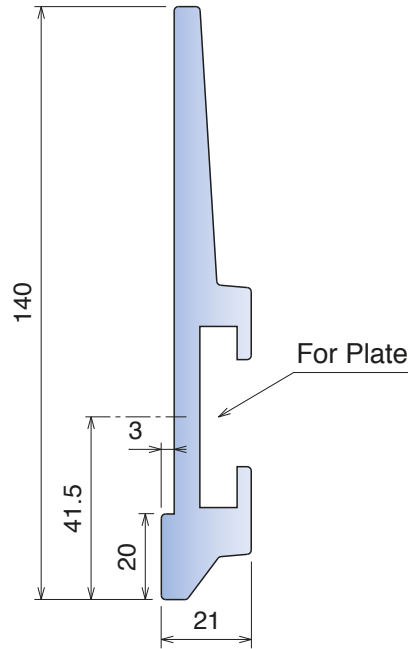
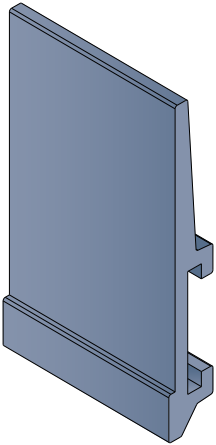


Material: Polyethylene UHMW-PE with molecular density 9,200,000 g/mo.
BluLub, new material with reduced coefficient of friction and higher wear resistance.
 BluLub complies with the code of Federal Regulations of FDA. Linear expansion coefficient:
 $1.1 \times 10^{-4} \text{ } ^\circ\text{F}^{-1}$ ($2 \times 10^{-4} \text{ } ^\circ\text{C}^{-1}$) Operating temperature: -40 to 176 °F (-40 to +80 °C)

189 Guida laterale / Side guide rail / Seitenführung

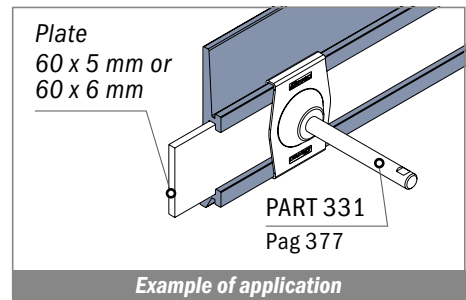
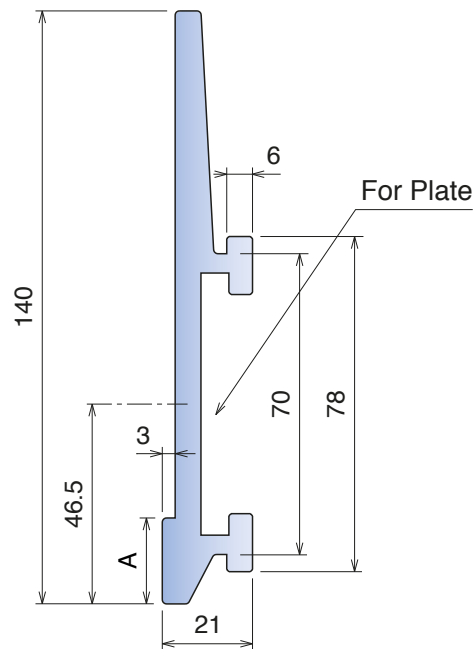
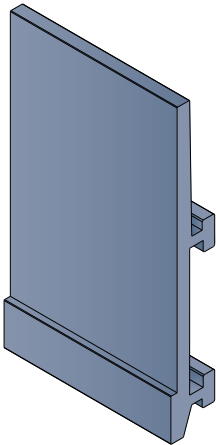
Delivery: **Easy** **Standard**

Part	Article-Nr.	L	For plate	Material	Availability	Supply
189	18914C	3 m	40 x 8 mm	grey	On request	3 m bars
189	18910BC	3 m	40 x 8 mm	BluLub	Stock item	3 m bars
189	18904C	3 m	50 x 6 mm	grey	On request	3 m bars
189	18900BC	3 m	50 x 6 mm	BluLub	Stock item	3 m bars



Guida laterale / Side guide rail / Seitenführung

Part	Article-Nr.	L	A	For plate	Material	Availability	Supply
189	18944C	3 m	40	60 x 5 mm	grey	Stock item	3 m bars
189	18940BC	3 m	40	60 x 5 mm	BluLub	Stock item	3 m bars
189	18924C	3 m	20	60 x 6 mm	grey	Stock item	3 m bars
189	18920BC	3 m	20	60 x 6 mm	BluLub	Stock item	3 m bars
189	18934C	3 m	40	60 x 6 mm	grey	Stock item	3 m bars
189	18930BC	3 m	40	60 x 6 mm	BluLub	Stock item	3 m bars

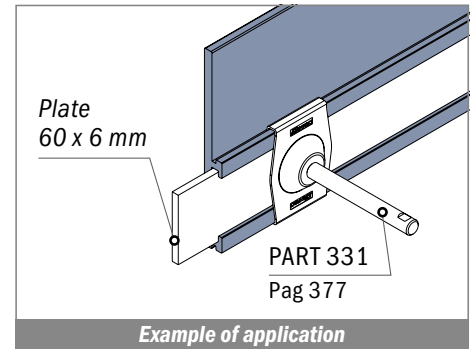
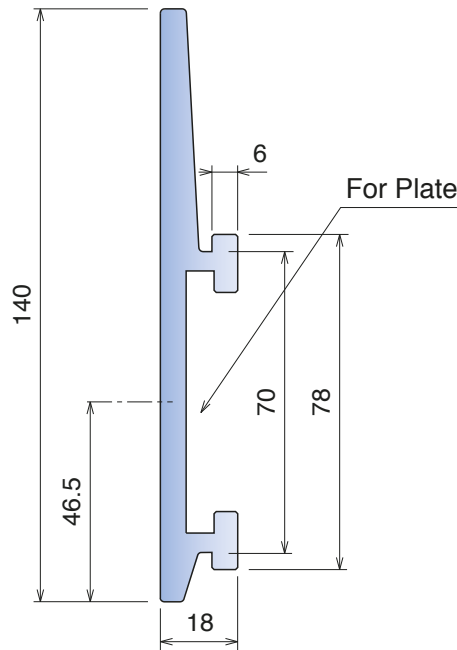
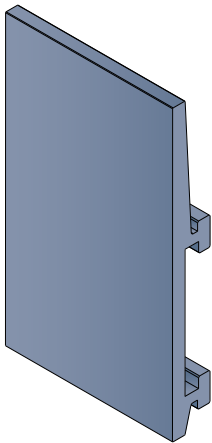


Material: Polyethylene UHMW-PE with molecular density 9,200,000 g/mo.
BluLub, new material with reduced coefficient of friction and higher wear resistance.
 BluLub complies with the code of Federal Regulations of FDA. Linear expansion coefficient:
 $1.1 \times 10^{-4} \text{ } ^\circ\text{F}^{-1}$ ($2 \times 10^{-4} \text{ } ^\circ\text{C}^{-1}$) Operating temperature: -40 to 176 °F (-40 to +80 °C)

193 Guida laterale / Side guide rail / Seitenführung

Delivery: **Easy** **Standard** For plate: 60 x 6 mm

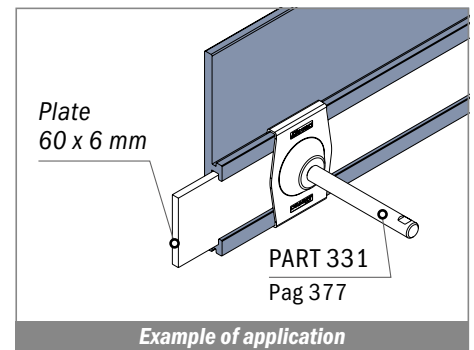
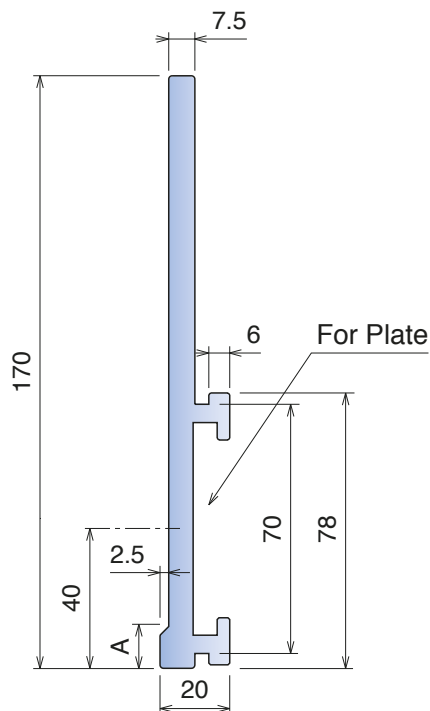
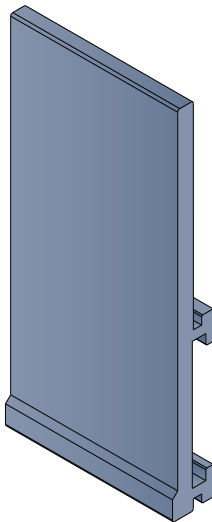
Part	Article-Nr.	L	Material	Availability	Supply
193	19324C	3 m	grey	Stock item	3 m bars
193	19320BC	3 m	BluLub	Stock item	3 m bars



187 Guida laterale / Side guide rail / Seitenführung

For plate: 60 x 6 mm

Part	Article-Nr.	L	A	Material	Availability	Supply
187	18724C	3 m	12	grey	Stock item	3 m bars
187	18720BC	3 m	12	BluLub	Stock item	3 m bars
187	18734C	3 m	20	grey	Stock item	3 m bars
187	18730BC	3 m	20	BluLub	Stock item	3 m bars
187	18744C	3 m	40	grey	Stock item	3 m bars
187	18740BC	3 m	40	BluLub	Stock item	3 m bars

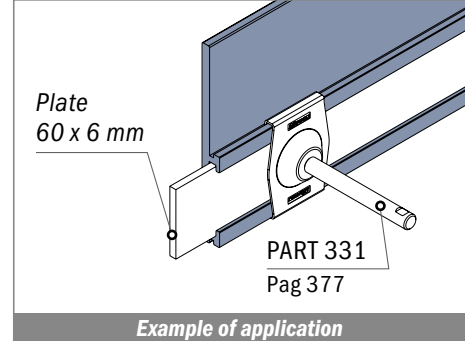
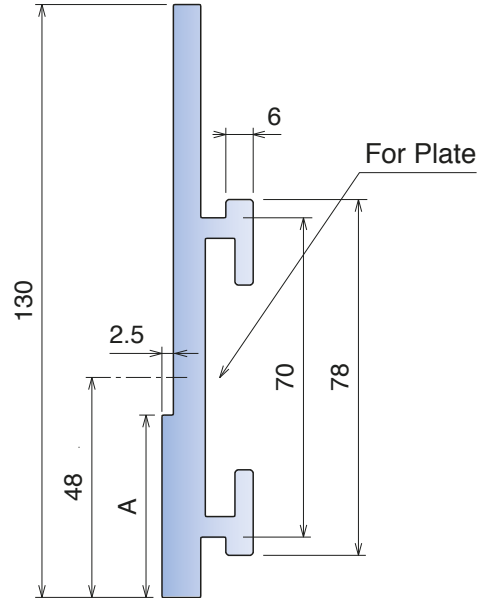
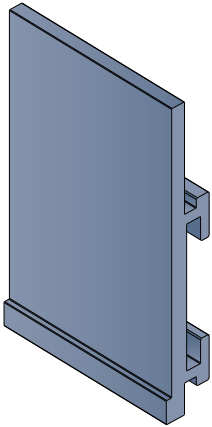


Material: Polyethylene UHMW-PE with molecular density 9,200,000 g/mo.
BluLub, new material with reduced coefficient of friction and higher wear resistance.
 BluLub complies with the code of Federal Regulations of FDA. Linear expansion coefficient:
 $1.1 \times 10^{-4} \text{ } ^\circ\text{F}^{-1}$ ($2 \times 10^{-4} \text{ } ^\circ\text{C}^{-1}$) Operating temperature: -40 to 176 °F (-40 to +80 °C)

1056 Guida laterale / Side guide rail / Seitenführung

For plate: 60 x 6 mm

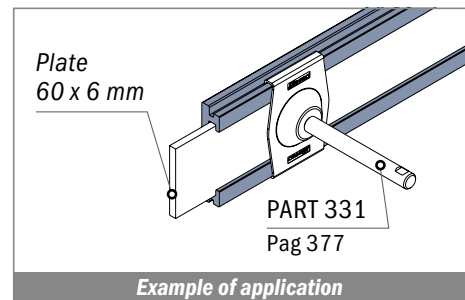
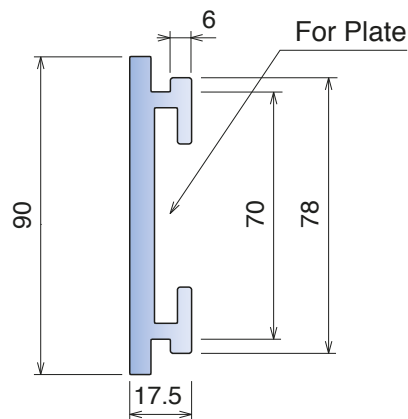
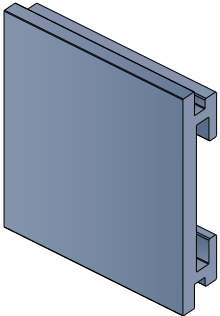
Part	Article-Nr.	L	A	Material	Availability	Supply
1056	105604C	3 m	10	grey	Stock item	3 m bars
1056	105600BC	3 m	10	BluLub	Stock item	3 m bars
1056	105634C	3 m	40	grey	Stock item	3 m bars
1056	105630BC	3 m	40	BluLub	Stock item	3 m bars



1057 Guida laterale / Side guide rail / Seitenführung

Delivery: **Easy** **Standard** For plate: 60 x 6 mm

Part	Article-Nr.	L	Material	Availability	Supply
1057	105704C	3 m	grey	Stock item	3 m bars
1057	105700BC	3 m	BluLub	Stock item	3 m bars

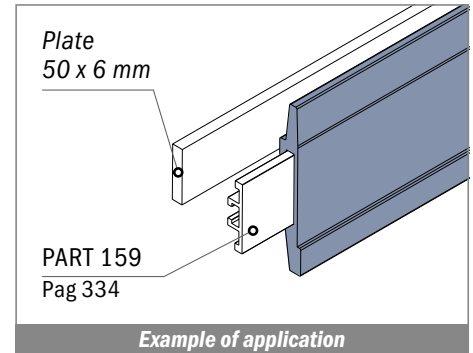
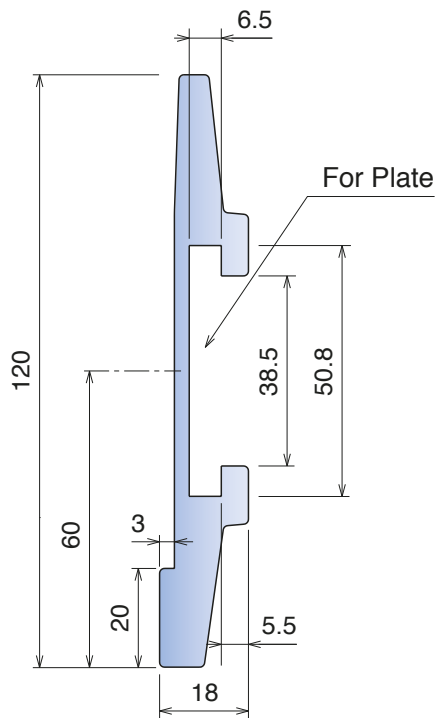
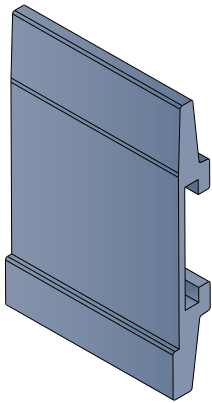


Material: Polyethylene UHMW-PE with molecular density 9,200,000 g/mo.
BluLub, new material with reduced coefficient of friction and higher wear resistance.
 BluLub complies with the code of Federal Regulations of FDA. Linear expansion coefficient:
 $1.1 \times 10^{-4} \text{ } ^\circ\text{F}^{-1}$ ($2 \times 10^{-4} \text{ } ^\circ\text{C}^{-1}$) Operating temperature: -40 to 176 °F (-40 to +80 °C)

186 Guida laterale / Side guide rail / Seitenführung

For plate: 50 x 6 mm

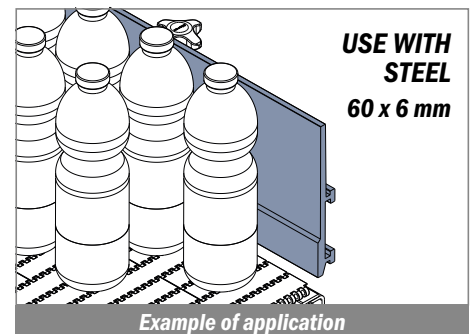
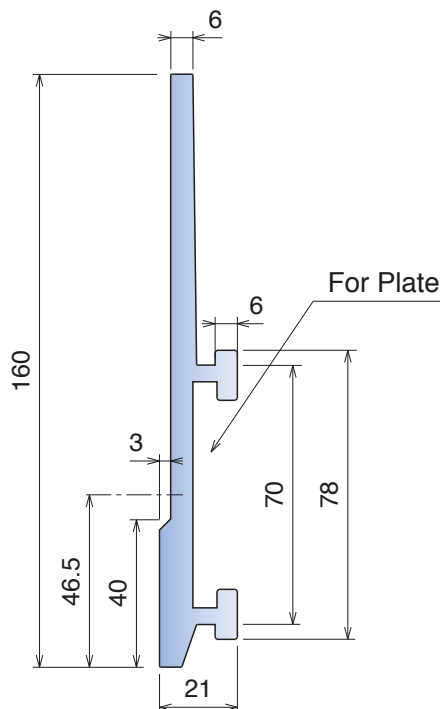
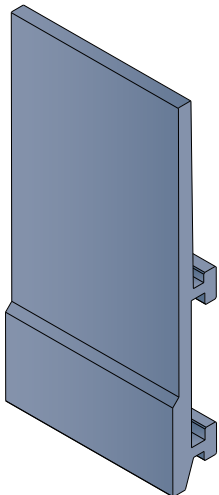
Part	Article-Nr.	L	Material	Availability	Supply
186	18604C	3 m	grey	On request	3 m bars
186	18600BC	3 m	BluLub	On request	3 m bars



1061 Guida laterale / Side guide rail / Seitenführung

For plate: 60 x 6 mm

Part	Article-Nr.	L	Material	Availability	Supply
1061	106104C	3 m	grey	On request	3 m bars
1061	106104BC	3 m	BluLub	On request	3 m bars



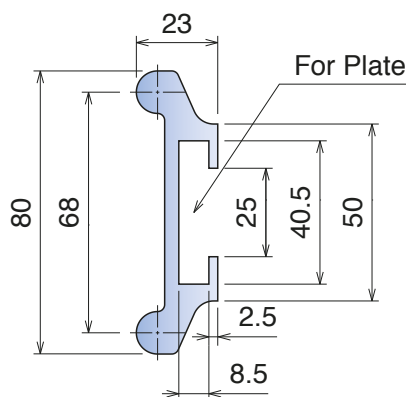
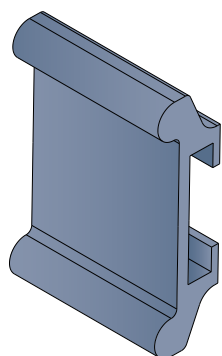
Material: Polyethylene UHMW-PE with molecular density 9,200,000 g/mo.
BluLub, new material with reduced coefficient of friction and higher wear resistance.
 BluLub complies with the code of Federal Regulations of FDA. Linear expansion coefficient:
 $1.1 \times 10^{-4} \text{ } ^\circ\text{F}^{-1}$ ($2 \times 10^{-4} \text{ } ^\circ\text{C}^{-1}$) Operating temperature: -40 to $176 \text{ } ^\circ\text{F}$ (-40 to $+80 \text{ } ^\circ\text{C}$)

183-166-1039

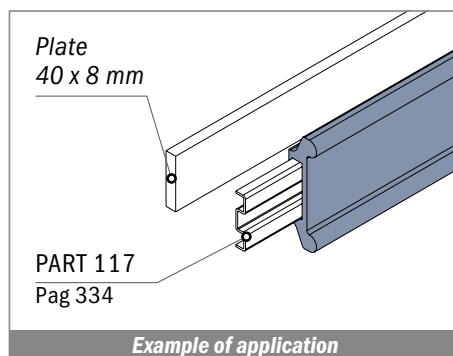
Guide estruse / Extruded profiles / Extrudiertes profil

183 Guida laterale / Side guide rail / Seitenführung

Delivery: **Easy** **Standard** For plate: 40 x 8 mm

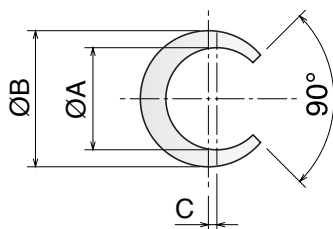
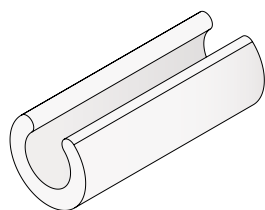


Part	Article-Nr.	L	Colour	Availability	Supply
183	18301C	3 m	black	Stock item	3 m bars
183	18301BC	3 m	BluLub	Stock item	3 m bars

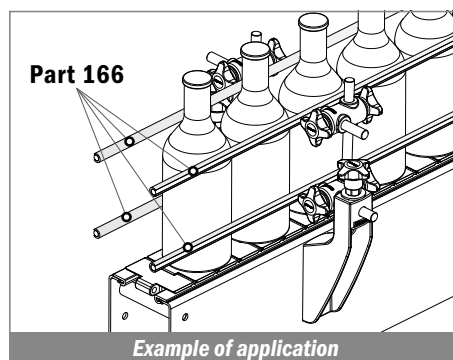


166 Profilo per tondini / Round profile for steel rods / Clip-on Profil für Rundmaterial

Delivery: **Easy** **Standard**

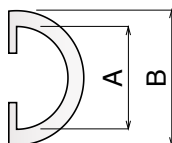
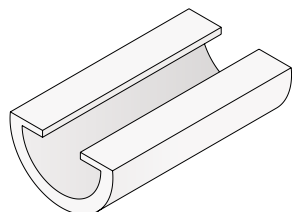


Part	Article-Nr.	A	B	C	Colour	Availability	Supply
166	16601	8	12	0,5	white	Stock item	30 m coils
166	16602	10	14	0,5	white	Stock item	30 m coils
166	16603	12	16	1	white	Stock item	30 m coils
166	16604	16	20	1,5	white	Stock item	30 m coils

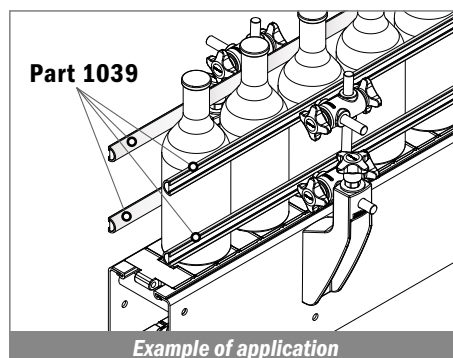


1039 Profilo per mezzitondi / Half round profile for steel rods / Halbmond Profil

Delivery: **Easy** **Standard**



Part	Article-Nr.	L	A	B	Colour	Availability	Supply
1039	103923C	3 m	16	20	white	Stock item	3 m bars
1039	103923	6 m	16	20	white	On request	6 m bars
1039	103923-30	30 m	16	20	white	On request	30 m coils
1039	103923-60	60 m	16	20	white	On request	60 m coils

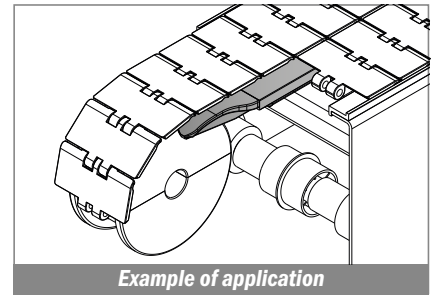
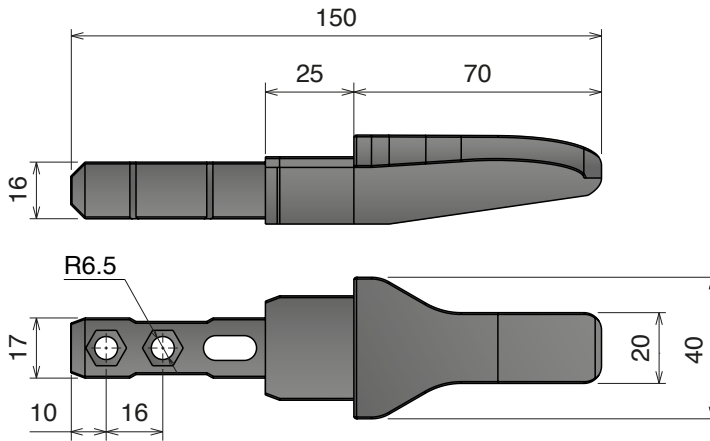


113

Pattino guida catena, centrale / Central wear strip shoe / Zentraler Einlaufschuh

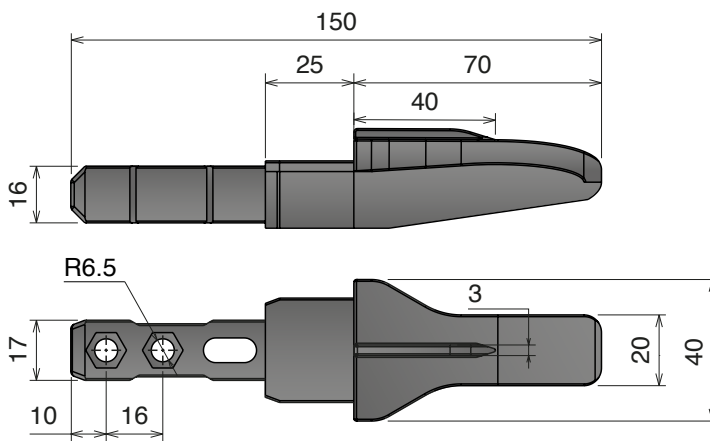
Delivery: **Easy** **Standard** Used with PART 112 pag. 304

Part	Article-Nr.	Colour	Availability
113	11301	black	On request

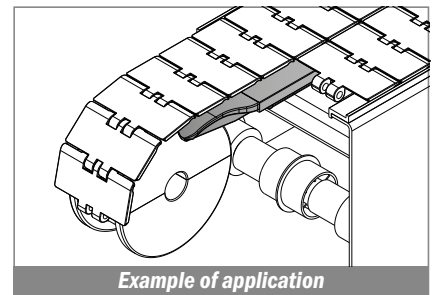


Example of application

CON NERVATURA / WITH NOSE / MIT NASE



Part	Article-Nr.	Colour	Availability
113	11302	black	On request



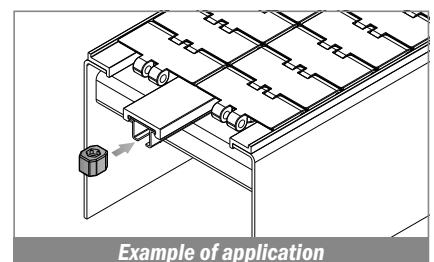
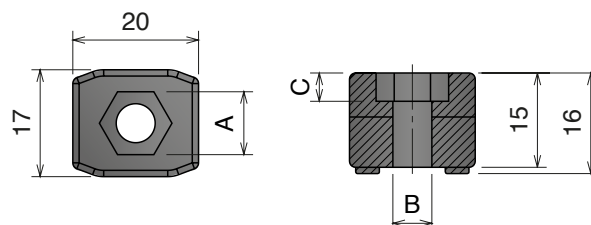
Example of application

114

Blocchetto fissaggio / Fixing clamp / Fixierblock

Delivery: **Easy** **Standard** Used with PART 112 pag. 304

Part	Article-Nr.	A	B	C	Colour	Availability
114	11401	10	6,2	4,5	black	On request
114	11402	13	8,2	6	black	On request



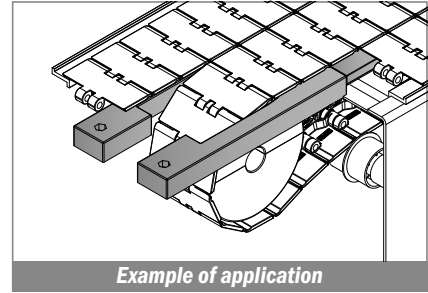
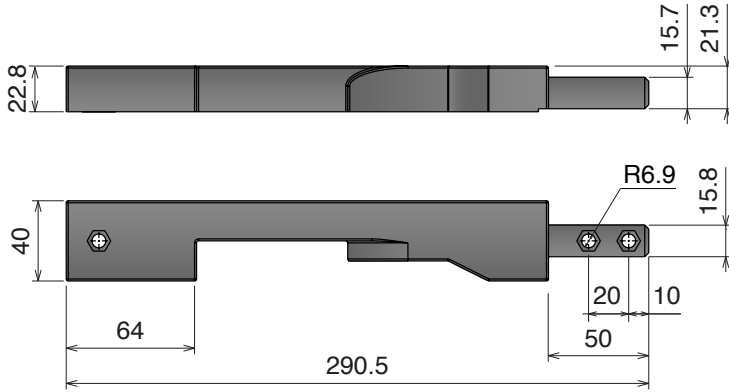
Example of application

116 Pattino guida catena, laterale / Side transfer guide shoe / Seitlicher Transfer Schuh

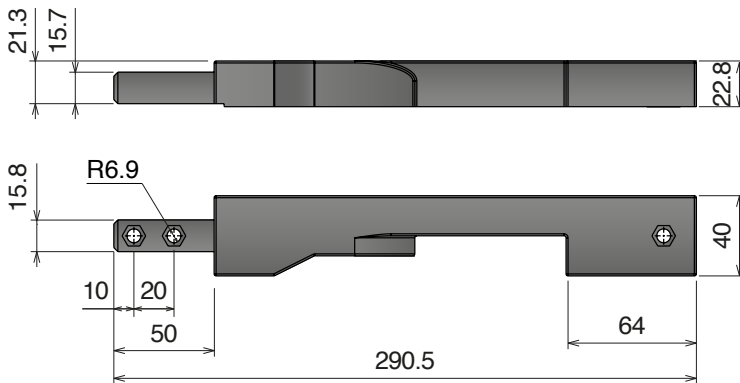
Delivery: **Easy** **Standard** Used with PART 112 pag. 304

Part	Article-Nr.	Colour	Availability
116	11601	black	On request

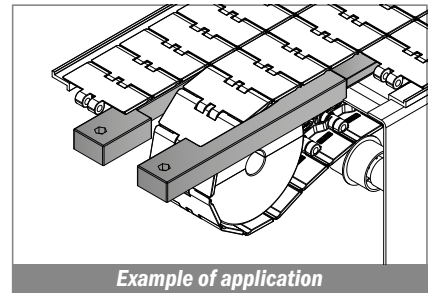
LEFT VERSION



RIGHT VERSION



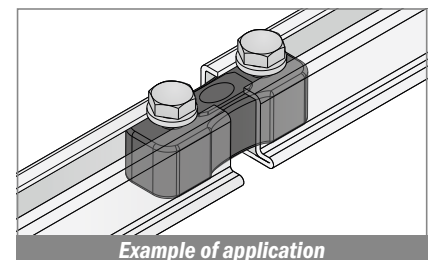
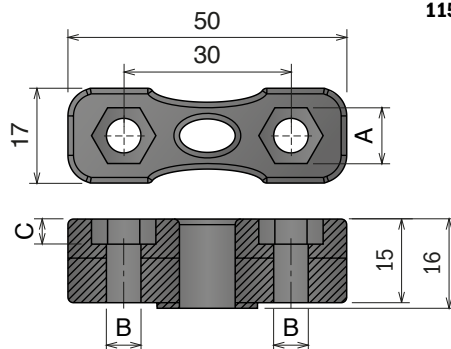
Part	Article-Nr.	Colour	Availability
116	11602	black	On request

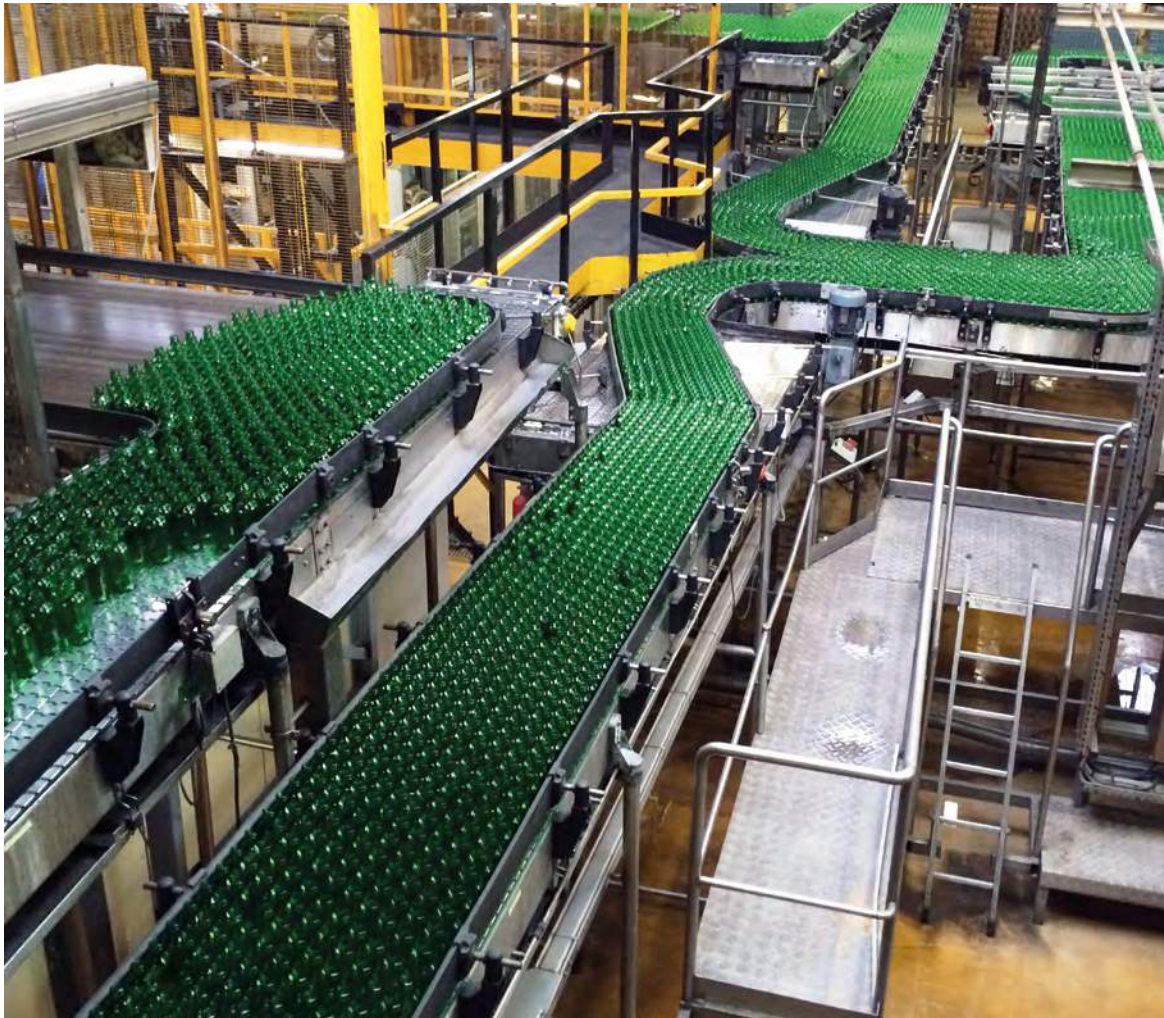


115 Blocchetto giunzione / Connecting element / Verbindungselement

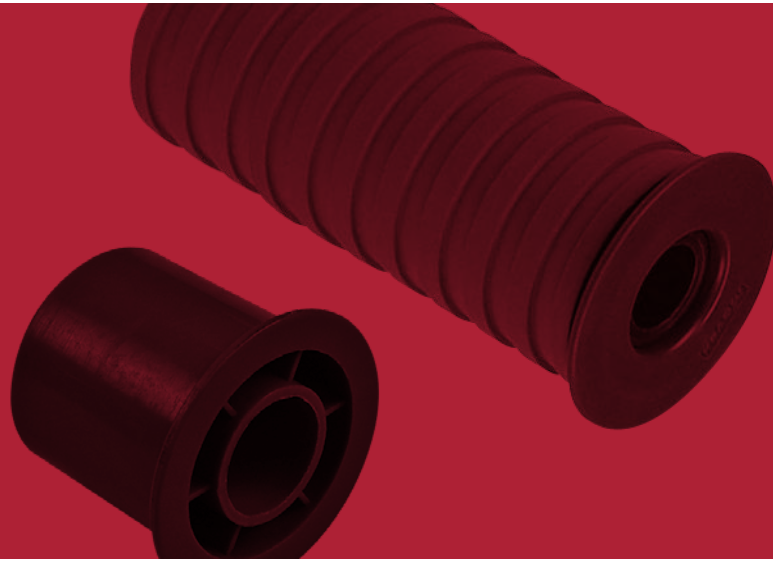
Delivery: **Easy** **Standard** Used with PART 112 pag. 304

Part	Article-Nr.	A	B	C	Colour	Availability
115	11501	10	6,2	4,5	black	On request
115	11502	13	8,2	6	black	On request





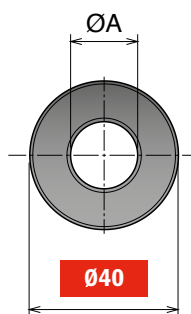
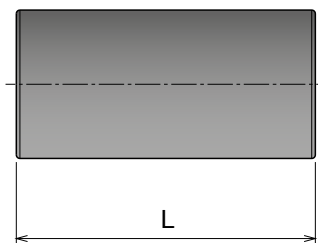
347



Return components

219 Rullini di ritorno D=40 mm Return roller D=40 mm / Rückführrolle D=40 mm

Delivery: **Easy** **Standard**



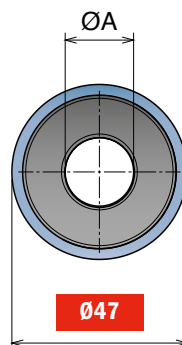
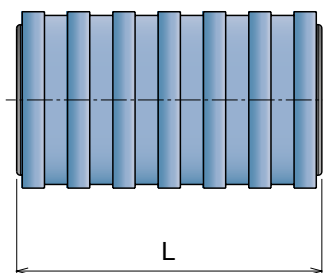
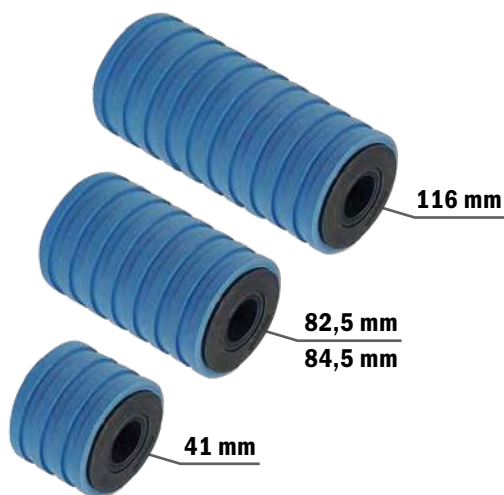
Part	Article-Nr.	L	ØA
219	21951	41	16
219	21952	41	18
219	21953	41	20
219	21901	82,5	16
219	21902	82,5	18
219	21903	82,5	20
219	21911	84,5	16
219	21912	84,5	18
219	21913	84,5	20
219	21964	116	12
219	21961	116	16
219	21962	116	18
219	21963	116	20



Tenuta stagna
 Watertight
 Wasserdicht

220 Rullini di ritorno gommati D=47 mm Return roller with rubber D=47 mm / Rückführrolle gummiert D=47 mm

Delivery: **Easy** **Standard**



Part	Article-Nr.	L	ØA
220	22051	41	16
220	22052	41	18
220	22053	41	20
220	22001	82,5	16
220	22002	82,5	18
220	22003	82,5	20
220	22011	84,5	16
220	22012	84,5	18
220	22013	84,5	20
220	22064	116	12
220	22061	116	16
220	22062	116	18
220	22063	116	20

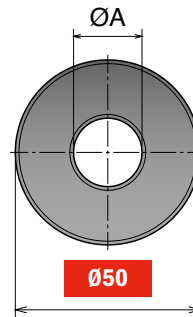
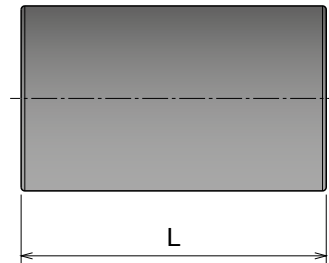
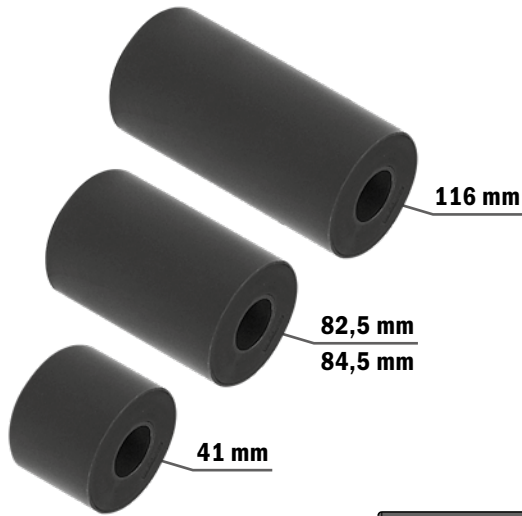


Tenuta stagna
 Watertight
 Wasserdicht

201 Rullini di ritorno D=50 mm Return roller D=50 mm / Rückführrolle D=50 mm

Delivery: **Easy** **Standard**

Part	Article-Nr.	L	ØA
201	20151	41	16
201	20152	41	18
201	20153	41	20
201	20101	82,5	16
201	20102	82,5	18
201	20103	82,5	20
201	20111	84,5	16
201	20112	84,5	18
201	20113	84,5	20
201	20164	116	12
201	20161	116	16
201	20162	116	18
201	20163	116	20

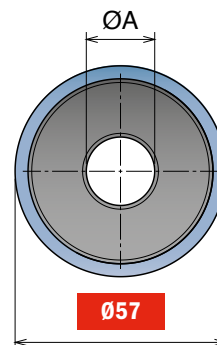
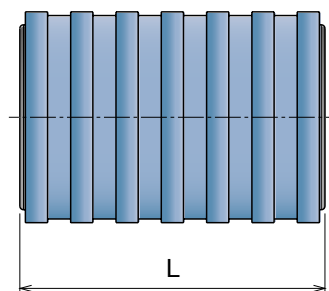


Tenuta stagna
Watertight
Wasserdicht

203 Rullini di ritorno gommati D=57 mm Return roller with rubber D=57 mm / Rückführrolle gummiert D=57 mm

Delivery: **Easy** **Standard**

Part	Article-Nr.	L	ØA
203	20351	41	16
203	20352	41	18
203	20353	41	20
203	20301	82,5	16
203	20302	82,5	18
203	20303	82,5	20
203	20311	84,5	16
203	20312	84,5	18
203	20313	84,5	20
203	20364	116	12
203	20361	116	16
203	20362	116	18
203	20363	116	20

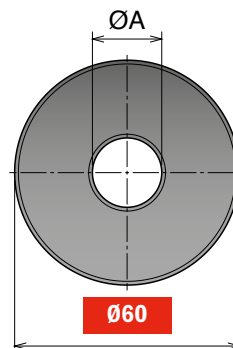
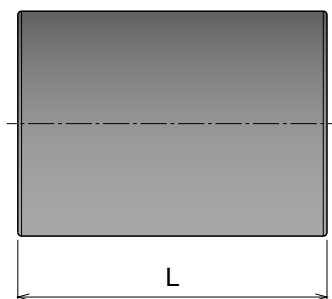
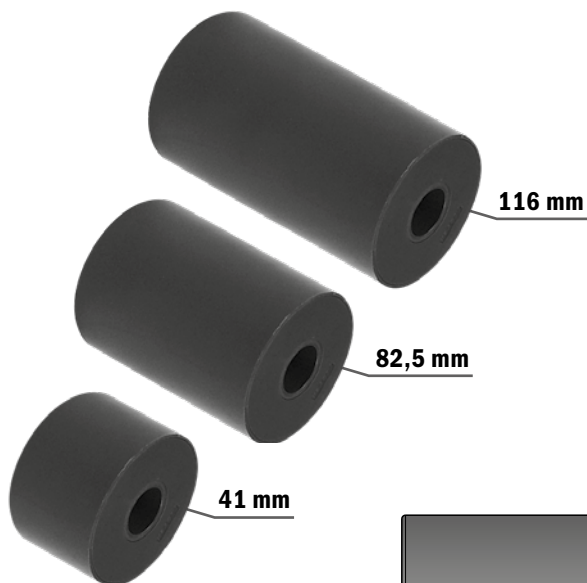


Tenuta stagna
Watertight
Wasserdicht

202 Rullini di ritorno D=60 mm Return roller D=60 mm / Rückführrolle D=60 mm

Delivery: **Easy** **Standard**

Part	Article-Nr.	L	ØA
202	20251	41	16
202	20252	41	18
202	20253	41	20
202	20201	82,5	16
202	20202	82,5	18
202	20203	82,5	20
202	20264	116	12
202	20261	116	16
202	20262	116	18
202	20263	116	20

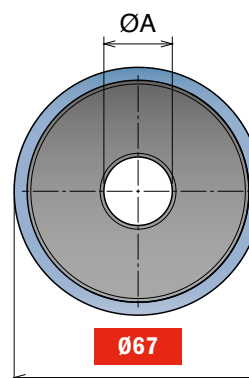
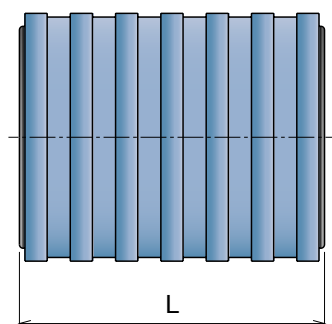
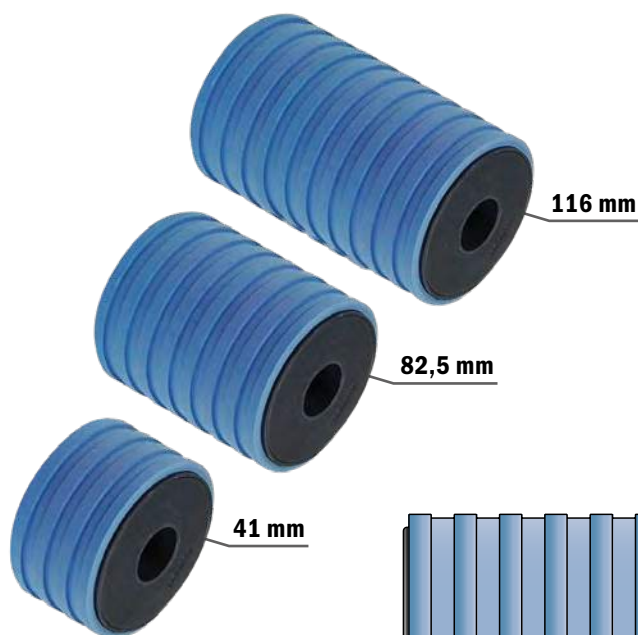


Tenuta stagna
 Watertight
 Wasserdicht

204 Rullini di ritorno gommati D=67 mm Return roller with rubber D=67 mm / Rückführrolle gummiert D=67 mm

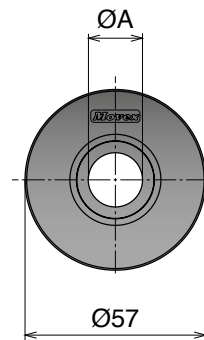
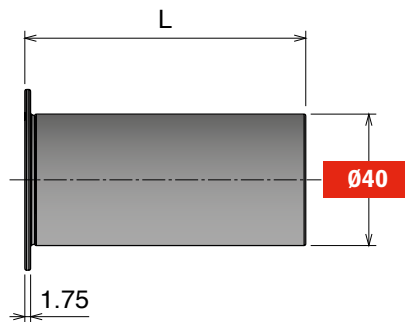
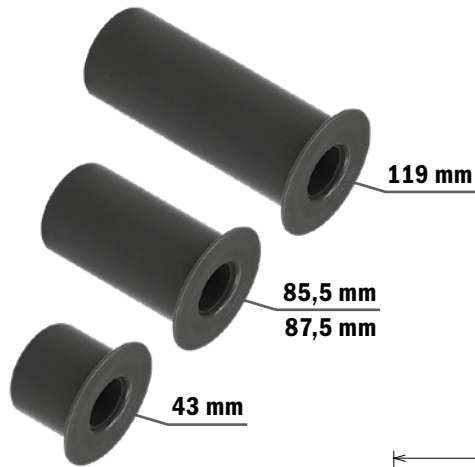
Delivery: **Easy** **Standard**

Part	Article-Nr.	L	ØA
204	20451	41	16
204	20452	41	18
204	20453	41	20
204	20401	82,5	16
204	20402	82,5	18
204	20403	82,5	20
204	20464	116	12
204	20461	116	16
204	20462	116	18
204	20463	116	20



Tenuta stagna
 Watertight
 Wasserdicht

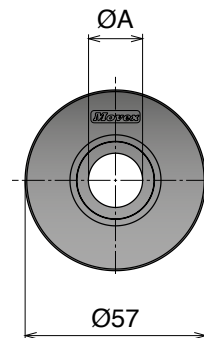
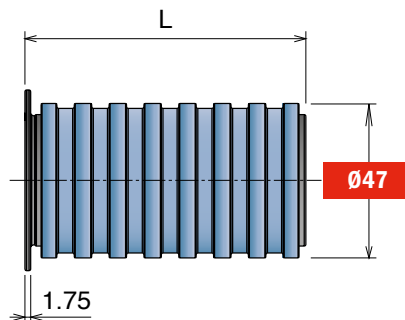
222 Rullini di ritorno flangiati D=40 mm Return roller with flange D=40 mm / Rückführrolle mit Seitenscheibe D=40 mm



Part	Article-Nr.	L	ØA
222	22251	43	16
222	22252	43	18
222	22253	43	20
222	22201	85,5	16
222	22202	85,5	18
222	22203	85,5	20
222	22211	87,5	16
222	22212	87,5	18
222	22213	87,5	20
222	22264	119	12
222	22261	119	16
222	22262	119	18
222	22263	119	20

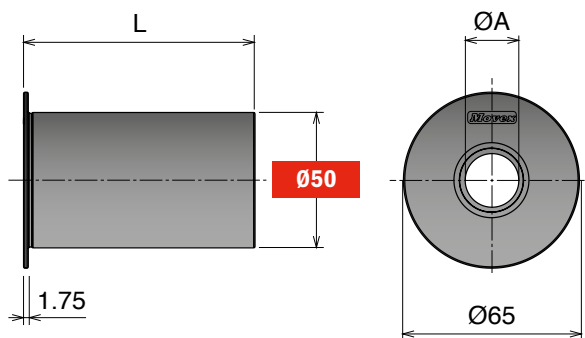
223 Rullini di ritorno flangiati gommati D=47 mm Return roller with flange and rubber D=47 mm / Rückführrolle gummiert mit Seitenscheibe D=47 mm

Delivery: **Easy** Standard



Part	Article-Nr.	L	ØA
223	22351	43	16
223	22352	43	18
223	22353	43	20
223	22301	85,5	16
223	22302	85,5	18
223	22303	85,5	20
223	22311	87,5	16
223	22312	87,5	18
223	22313	87,5	20
223	22364	119	12
223	22361	119	16
223	22362	119	18
223	22363	119	20

224 Rullini di ritorno flangiati D=50 mm Return roller with flange D=50 mm / Rückführrolle mit Seitenscheibe D=50 mm

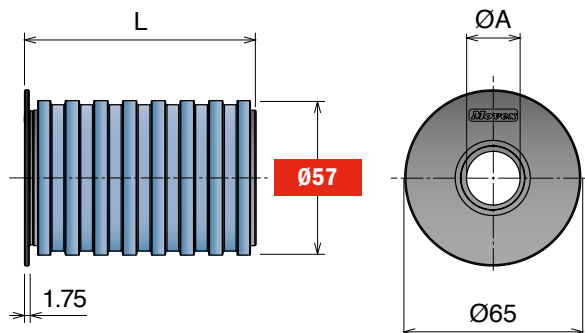
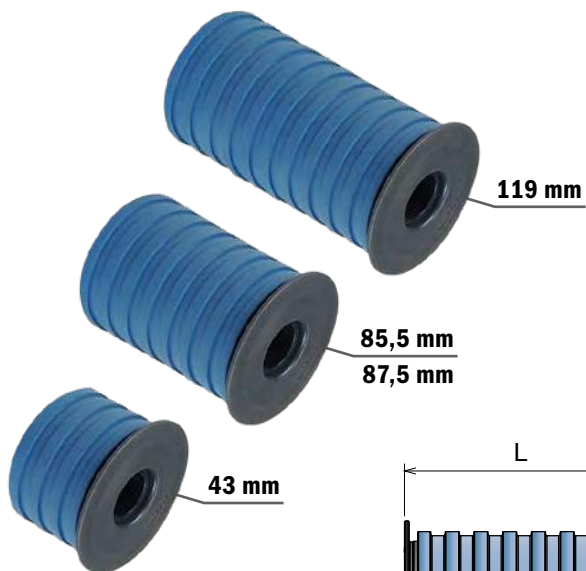


Part	Article-Nr.	L	ØA
224	22451	43	16
224	22452	43	18
224	22453	43	20
224	22401	85,5	16
224	22402	85,5	18
224	22403	85,5	20
224	22411	87,5	16
224	22412	87,5	18
224	22413	87,5	20
224	22464	119	12
224	22461	119	16
224	22462	119	18
224	22463	119	20

Tenuta stagna
Watertight
Wasserdicht

225 Rullini di ritorno flangiati gommati D=57 mm Return roller with flange and rubber D=57 mm / Rückführrolle gummiert mit Seitenscheibe D=57 mm

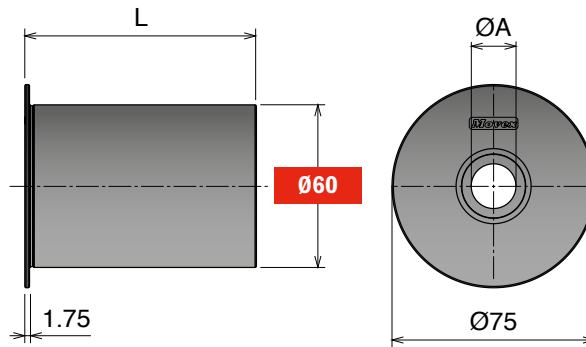
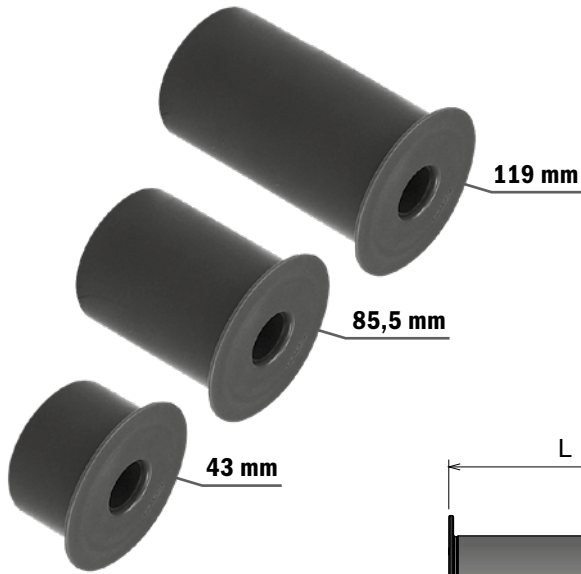
Delivery: **Easy** **Standard**



Part	Article-Nr.	L	ØA
225	22551	43	16
225	22552	43	18
225	22553	43	20
225	22501	85,5	16
225	22502	85,5	18
225	22503	85,5	20
225	22511	87,5	16
225	22512	87,5	18
225	22513	87,5	20
225	22564	119	12
225	22561	119	16
225	22562	119	18
225	22563	119	20

Tenuta stagna
Watertight
Wasserdicht

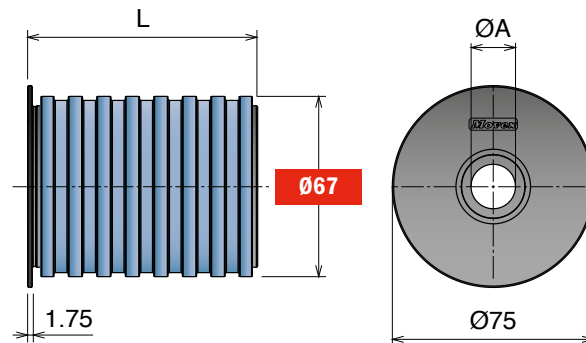
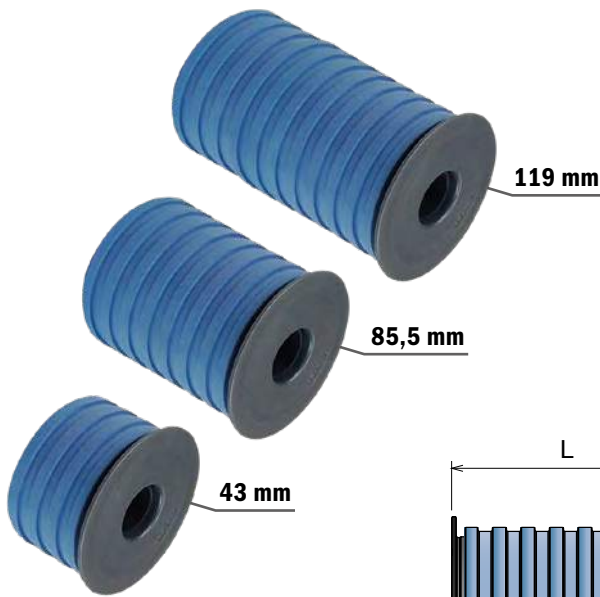
226 Rullini di ritorno flangiati D=60 mm Return roller with flange D=60 mm / Rückführrolle mit Seitenscheibe D=60 mm



Part	Article-Nr.	L	ØA
226	22651	43	16
226	22652	43	18
226	22653	43	20
226	22601	85,5	16
226	22602	85,5	18
226	22603	85,5	20
226	22664	119	12
226	22661	119	16
226	22662	119	18
226	22663	119	20

Tenuta stagna
Watertight
Wasserdicht

227 Rullini di ritorno flangiati gommati D=67 mm Return roller with flange and rubber D=67 mm / Rückführrolle gummiert mit Seitenscheibe D=67 mm



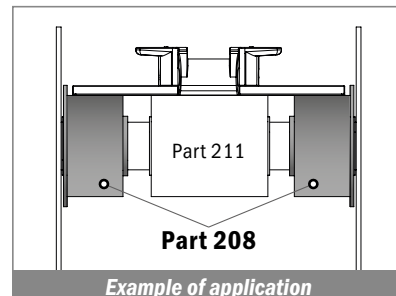
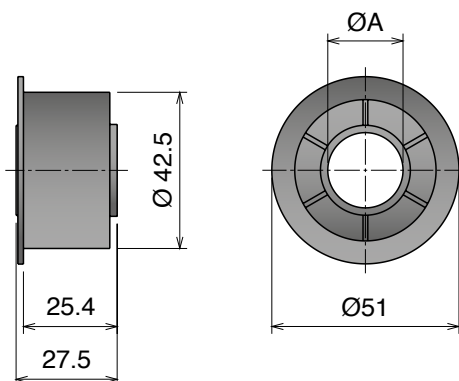
Part	Article-Nr.	L	ØA
227	22751	43	16
227	22752	43	18
227	22753	43	20
227	22701	85,5	16
227	22702	85,5	18
227	22703	85,5	20
227	22764	119	12
227	22761	119	16
227	22762	119	18
227	22763	119	20

Tenuta stagna
Watertight
Wasserdicht

208 Rullini di ritorno flangiati D=42.5 mm Return roller with flange D=42.5 mm / Rückführrolle mit Seitenscheibe D=42.5 mm

Delivery: **Easy** **Standard**

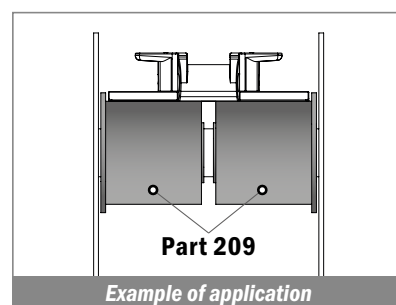
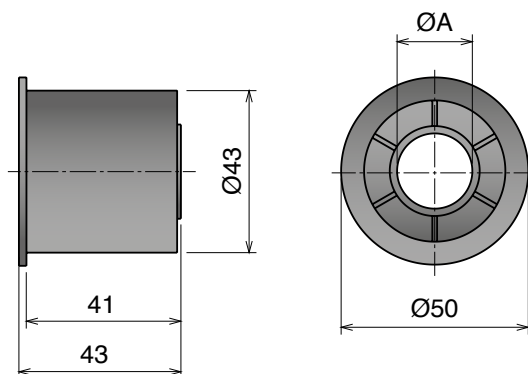
Part	Article-Nr.	ØA
208	20801	16
208	20802	18
208	20803	20



209 Rullini di ritorno flangiati D=43 mm Return roller with flange D=43 mm / Rückführrolle mit Seitenscheibe D=43 mm

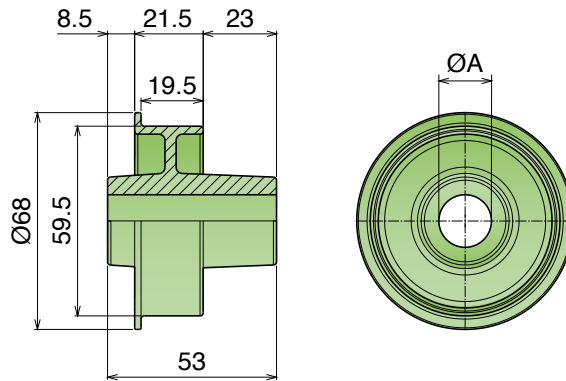
Delivery: **Easy** **Standard**

Part	Article-Nr.	ØA
209	20901	16
209	20902	18
209	20903	20



232 Rullini di ritorno flangiati Ø68 Return roller with flange Ø68 / Rückführrolle mit Seitenscheibe Ø68

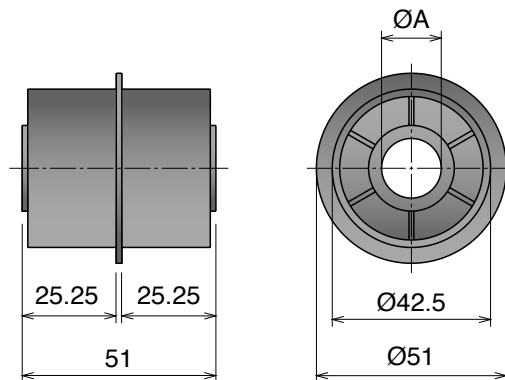
Delivery: **Easy** **Standard** Max recommended tightening torque: 0,3 N mt



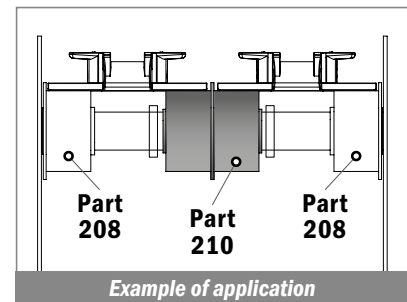
Part	Article-Nr.	ØA
232	23201	15
232	23202	16
232	23203	18
232	23204	20

210 Rullini doppio di ritorno Double return roller / Doppel- Rücklaufrolle

Delivery: **Easy** **Standard**

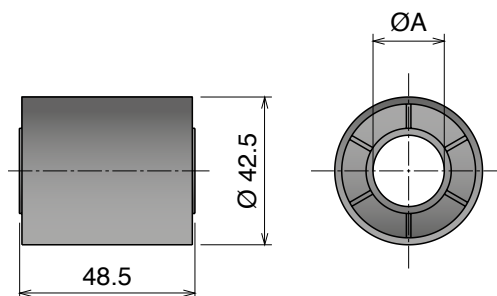


Part	Article-Nr.	ØA
210	21001	16
210	21002	18
210	21003	20

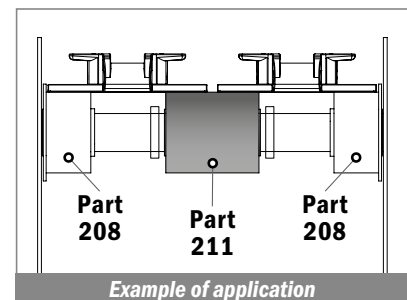


211 Rullini di ritorno D=42.5 mm Return roller D=42.5 mm / Rückführrolle D=42.5 mm

Delivery: **Easy** **Standard**



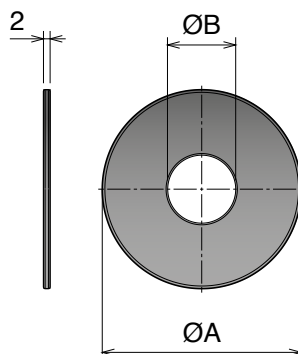
Part	Article-Nr.	ØA
211	21101	16
211	21102	18
211	21103	20



207 Flangia Flange / Seitenscheibe

Range Extension

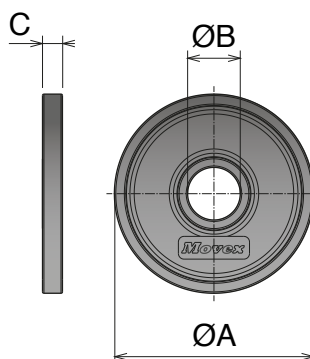
Delivery: **Easy** **Standard**



	Part	Article-Nr.	ØA	ØB
New	207	20719	50	12
	207	20712	50	16
	207	20713	50	18
	207	20714	50	20
New	207	20720	60	12
	207	20701	60	16
	207	20702	60	18
	207	20703	60	20
New	207	20721	70	12
	207	20704	70	16
	207	20705	70	18
	207	20706	70	20
New	207	20722	80	12
	207	20707	80	16
	207	20708	80	18
	207	20709	80	20

233 Flangia Flange / Seitenscheibe

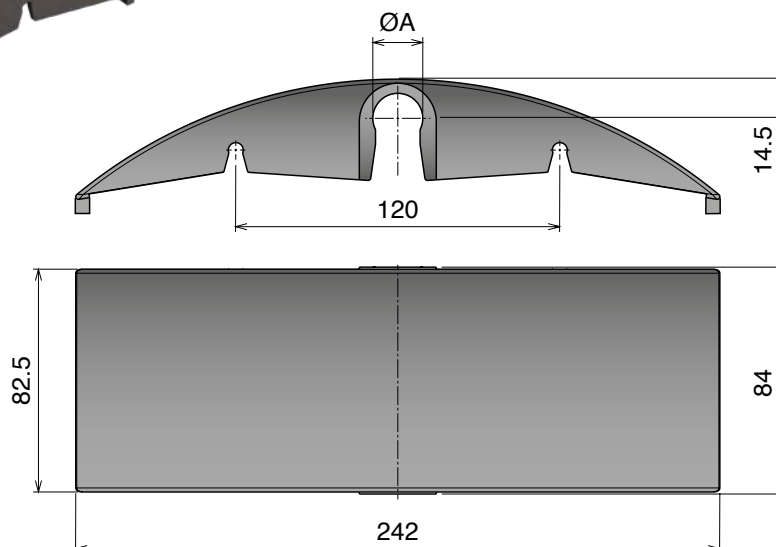
Delivery: **Easy** **Standard**



	Part	Article-Nr.	ØA	ØB	C
	233	23303	25,5	20	7,25
	233	23304	60	20	7,25
	233	23305	70	16	7
	233	23307	70	20	7
	233	23302	90	20	5

213 Pattino oscillante innesto rapido Snap-on sliding shoe / Rücklaufschuh, aufsteckbar

Delivery: **Easy** **Standard**



	Part	Article-Nr.	ØA
	213	21301	16
	213	21302	18
	213	21303	20

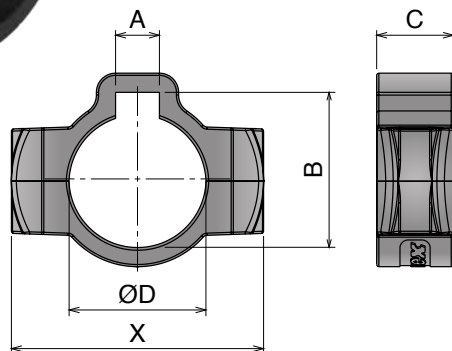
Materiale / Material / Materialien:

Morsetti: Poliammide/Clamps: Polyamide/Klemme: Polyamid

Viti e dadi: Acciaio inox/Screws and nuts: Stainless steel/Schraube und Mutter: Edelstahl

221 Collare di riferimento con chiave Split collar with keyway / geteilter Stelling mit Nut

Delivery: **Easy** **Standard** Max recommended tightening torque: 0,3 N mt

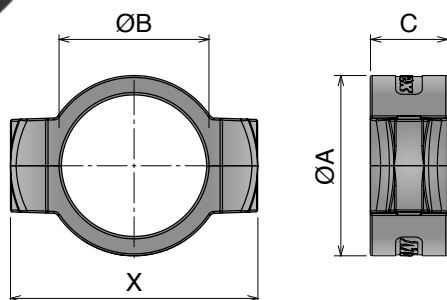


Part	Article-Nr.	A	B	C	ØD	X
221	22101	8	28,3	14	25	46
221	22102	8	33,3	16	30	51
221	22103	10	38,3	16	35	57
221	22104	12	43,3	18	40	64

Part	Article-Nr.	A	B	C	ØD	X
221	22101Y	6,85	28,3	14	1"	46
221	22102Y	6,85	34,7	16	1,25"	52
221	22104Y	10,025	42,4	18	1,5"	64

215 Collare di riferimento Split collar / geteilter Stelling

Delivery: **Easy** **Standard** Max recommended tightening torque: 0,3 N mt

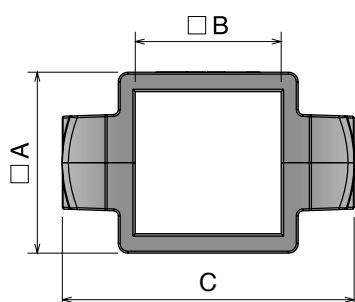


Part	Article-Nr.	ØA	ØB	C	X
215	21501	20	12	12	29,5
215	21502	22	14	12	31,5
215	21509	24	16	12	37
215	21503	26	18	14	40
215	21504	28	20	14	40
215	21505	32	25	14	46
215	21506	38	30	16	51
215	21507	43	35	16	57
215	21508	48	40	16	64

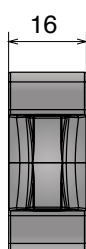
Part	Article-Nr.	ØA	ØB	C	X
215	21501Y	20	0,5"	12	29,5
215	21503Y	26	0,75"	14	40
215	21505Y	32	1"	14	46
215	21506Y	38	1,25"	16	52
215	21508Y	48	1,5"	18	64

217 Collare di riferimento Split collar / geteilter Stelling

Delivery: **Easy** **Standard** Max recommended tightening torque: 0,3 N mt



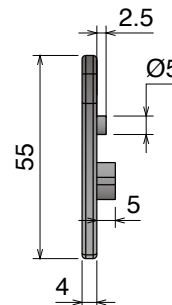
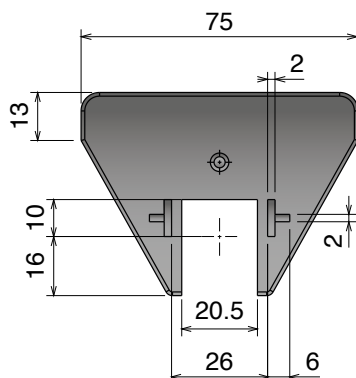
Part	Article-Nr.	□A	□B	C
217	21701	33	25	55
217	21702	37	30	60
217	21703	47	40	70
217	21704	59	50	81
217	21705	69	60	92



230 Piastrina Spacer / Führungsscheiben

Part Article-Nr.

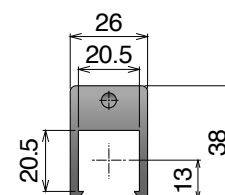
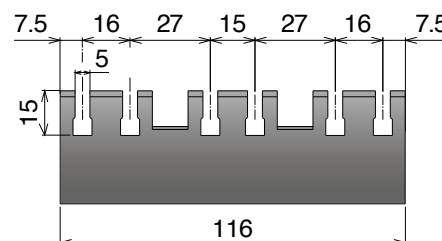
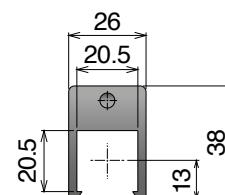
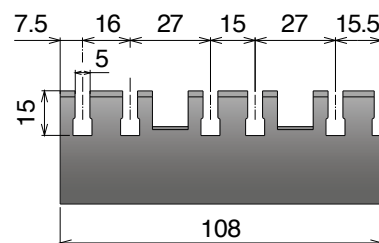
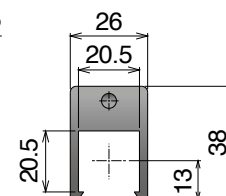
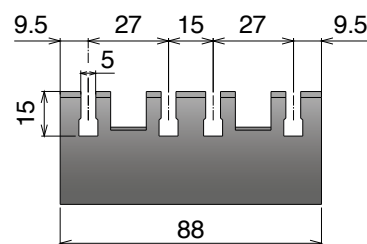
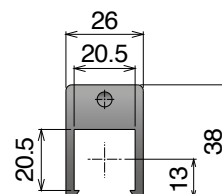
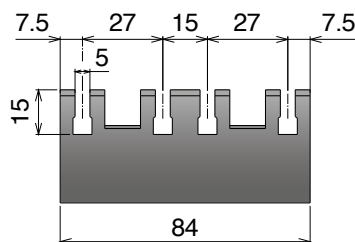
230 23001

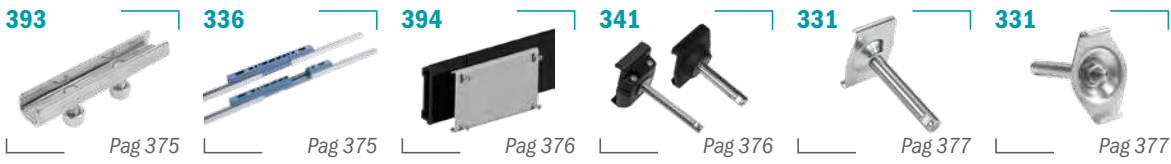
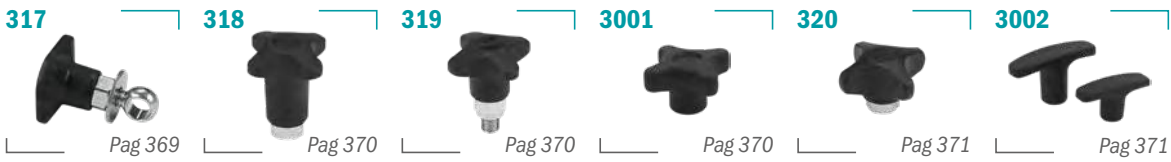
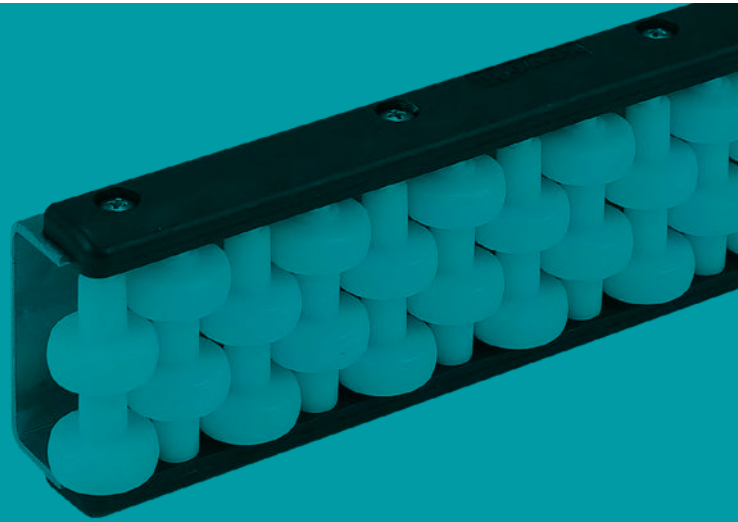



231 Distanziale per serpentina Spacer for serpentine / Montageblock

Part Article-Nr. W

231	23101	84
231	23102	88
231	23103	108
231	23104	116





351  Pag 380	352  Pag 380	347  Pag 381	348  Pag 381	346  Pag 382	356  Pag 382
357  Pag 382	335  Pag 383	358  Pag 384	364  Pag 384	359  Pag 385	365  Pag 385
360  Pag 386	360  Pag 387	366  Pag 386/387	361  Pag 388	361  Pag 389	367  Pag 388/389
364-365  Pag 390	366-367  Pag 391	366  Pag 392	367  Pag 392	364  Pag 393	365  Pag 393
395  Pag 394	362  Pag 394	358  Pag 394	333  Pag 394	353  Pag 395	354  Pag 395
355  Pag 395	363  Pag 396	396  Pag 397	363  Pag 398	199/299  Pag 399	368  Pag 400
369  Pag 400	370  Pag 401	371  Pag 401	342  Pag 402	372  Pag 402	373  Pag 403
383  Pag 403	384  Pag 403	385  Pag 404	386  Pag 404	397  Pag 405	3003  Pag 405
374  Pag 406	375  Pag 406	377  Pag 407	378  Pag 407	379  Pag 408	380  Pag 408
381  Pag 409	382  Pag 409	376  Pag 410	376  Pag 410	376  Pag 410	391  Pag 411
387  Pag 412	388  Pag 412				

Materiale / Material / Materialien:

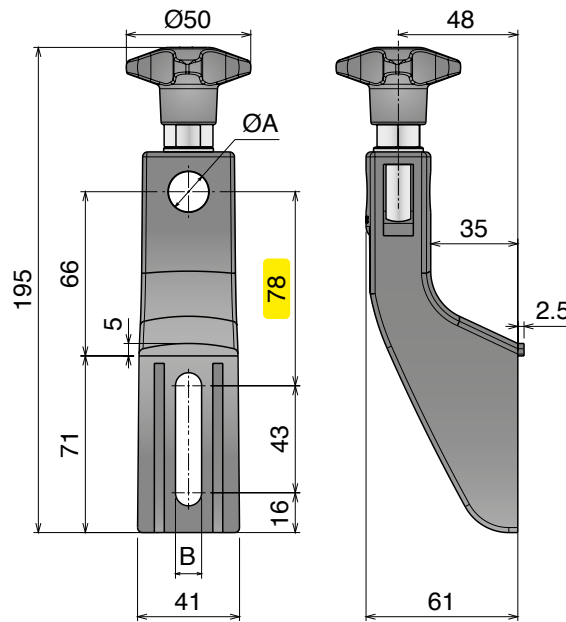
Supporto: PA Support: PA Halter: PA

Volantino: PA+ottone nichelato Knob: PA+nickel plated brass Sterngriff: PA+ Messing vernickelt

Tirante: Acciaio inox Eyebolt: Stainless steel Augenschraube: Edelstahl

301 Supporto laterale -piccolo- Side bracket -small- / Geländerhalter -klein-

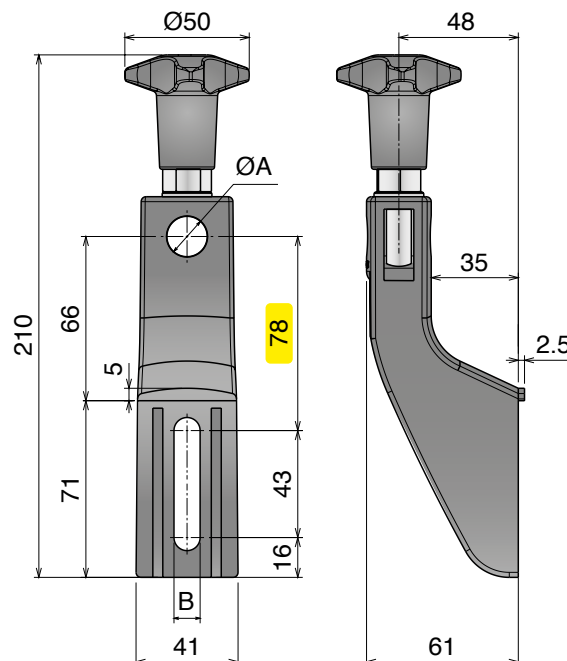
Delivery: **Easy** Standard



Part	Article-Nr.	ØA	B
301	30101	12	9
301	30105	14	9
301	30102	16	9
301	30103	12	10,5
301	30106	14	10,5
301	30104	16	10,5

302 Supporto laterale -piccolo- volantino alto Side bracket -small- high knob / Geländerhalter -klein- hoher Sterngriff

Delivery: **Easy** Standard



Part	Article-Nr.	ØA	B
302	30201	12	9
302	30205	14	9
302	30202	16	9
302	30203	12	10,5
302	30206	14	10,5
302	30204	16	10,5

305-306

Componenti / Conveyor components / Komponenten

Materiale / Material / Materialien:

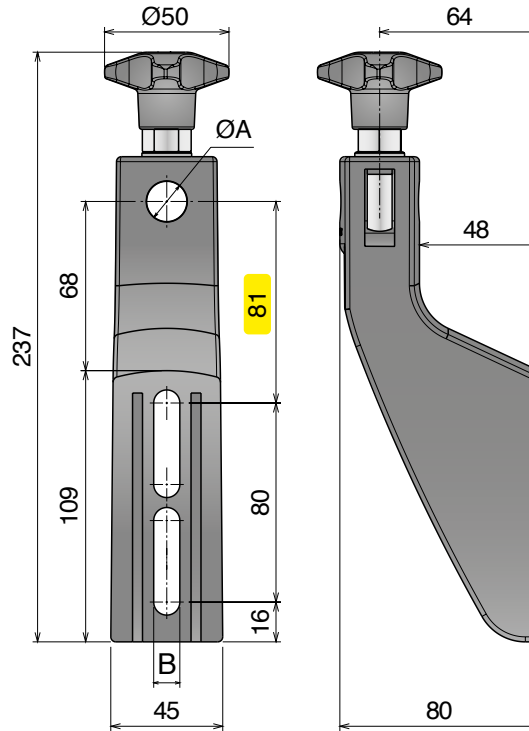
Supporto: PA Support: PA Halter: PA

Volantino: PA+ottone nichelato Knob: PA+nickel plated brass Sterngriff: PA+ Messing vernickelt

Tirante: Acciaio inox Eyebolt: Stainless steel Augenschraube: Edelstahl

305 Supporto laterale -medio- Side bracket -medium- / Geländerhalter -medium-

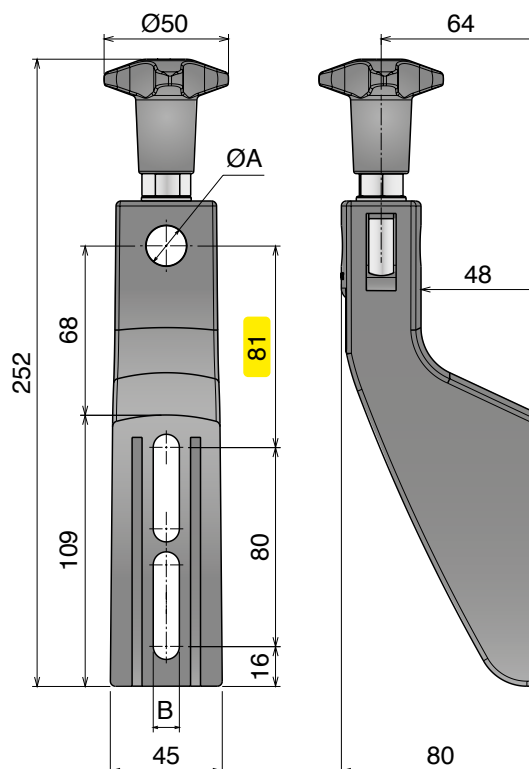
Delivery: **Easy** Standard



Part	Article-Nr.	ØA	B
305	30501	12	9
305	30505	14	9
305	30502	16	9
305	30503	12	10,5
305	30506	14	10,5
305	30504	16	10,5

306 Supporto laterale -medio- volantino alto Side bracket -medium- high knob / Geländerhalter -medium- hoher Sterngriff

Delivery: **Easy** Standard



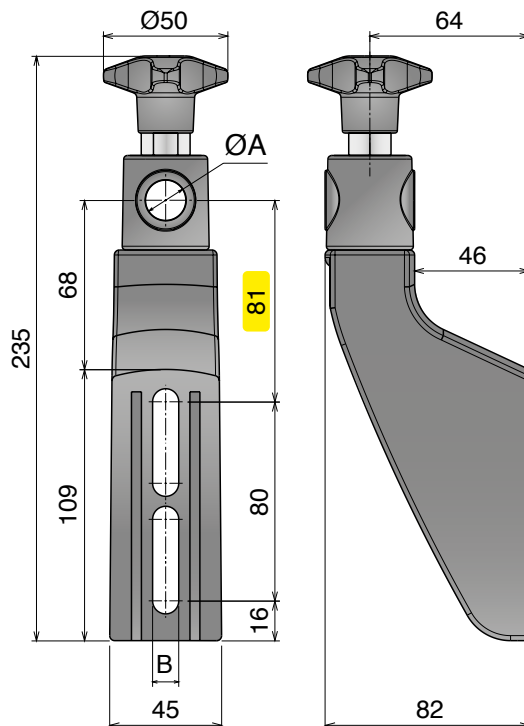
Part	Article-Nr.	ØA	B
306	30601	12	9
306	30605	14	9
306	30602	16	9
306	30603	12	10,5
306	30606	14	10,5
306	30604	16	10,5

Materiale / Material / Materialien: Supporto: PA Support: PA Halter: PA
 Volantino: PA+ottone nichelato Knob: PA+nickel plated brass Sterngriff: PA+ Messing vernickelt
 Tirante: Acciaio inox Eyebolt: Stainless steel Augenschraube: Edelstahl
 Testina: PA o Acciaio inox Heads: PA or stainless steel Schwenkkopf: PA oder Edelstahl
 Vite, rondella e dado: Acciaio inox Screw, washers and nut: Stainless steel Schraube, Unterlegs und Mutter: Edelstahl

307 Supporto laterale -medio- orientabile Side bracket -medium- adjustable / Geländerhalter -medium- einstellbar

Delivery: **Easy** Standard

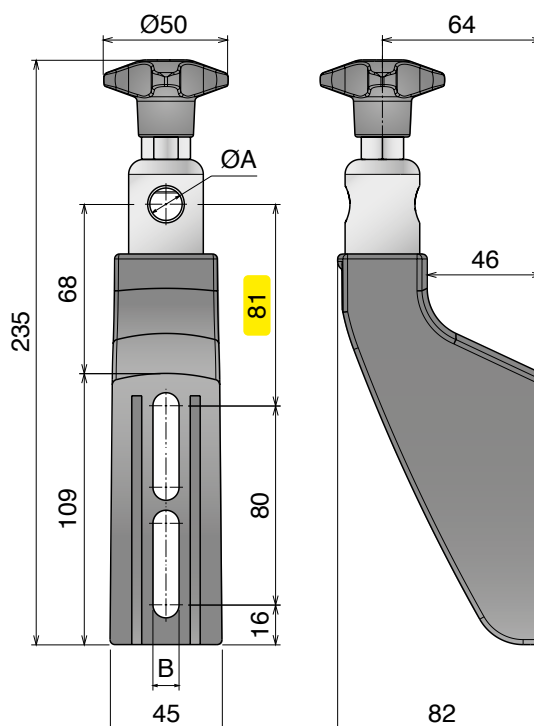
Part	Article-Nr.	ØA	B
307	30701	12	9
307	30705	14	9
307	30702	16	9
307	30703	12	10,5
307	30706	14	10,5
307	30704	16	10,5
307	30709	bracket	9
307	30710	bracket	10,5



308 Supporto laterale -medio- orientabile INOX Side bracket -medium- adjustable SS / Geländerhalter -medium- einstellbar Edelstahl

Delivery: **Easy** Standard

Part	Article-Nr.	ØA	B
308	30801	12	9
308	30805	14	9
308	30802	16	9
308	30803	12	10,5
308	30806	14	10,5
308	30804	16	10,5



309-310

Componenti / Conveyor components / Komponenten

Materiale / Material / Materialien:

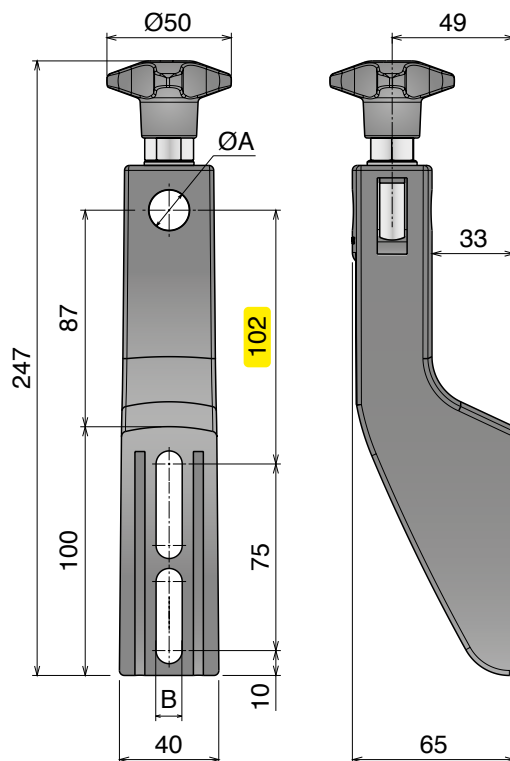
Supporto: PA Support: PA Halter: PA

Volantino: PA+ottone nichelato Knob: PA+nickel plated brass Sterngriff: PA+ Messing vernickelt

Tirante: Acciaio inox Eyebolt: Stainless steel Augenschraube: Edelstahl

309 Supporto laterale -grande- Side bracket -large- / Geländerhalter -groß-

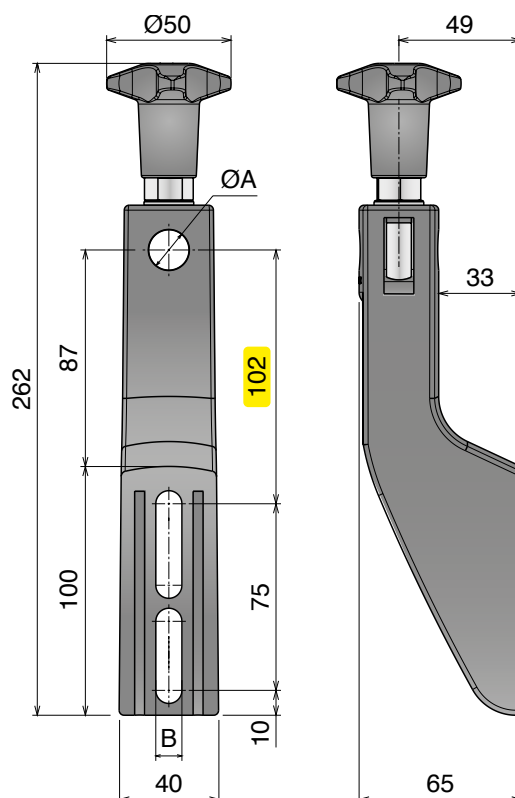
Delivery: **Easy** Standard



Part	Article-Nr.	$\varnothing A$	B
309	30901	12	9
309	30905	14	9
309	30902	16	9
309	30903	12	10,5
309	30906	14	10,5
309	30904	16	10,5

310 Supporto laterale -grande- volantino alto Side bracket -large- high knob / Geländerhalter -groß- hoher Sterngriff

Delivery: **Easy** Standard

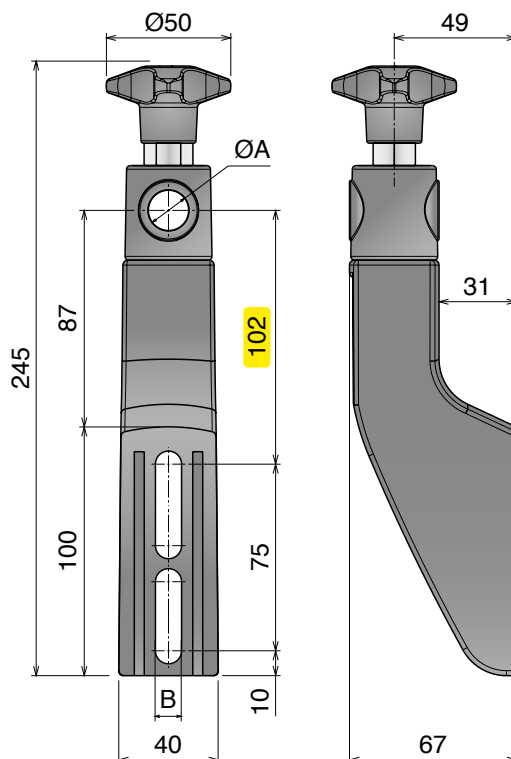


Part	Article-Nr.	$\varnothing A$	B
310	31001	12	9
310	31005	14	9
310	31002	16	9
310	31003	12	10,5
310	31006	14	10,5
310	31004	16	10,5

Materiale / Material / Materialien: Supporto: PA Support: PA Halter: PA
 Volantino: PA+ottone nichelato Knob: PA+nickel plated brass Sterngriff: PA+ Messing vernickelt
 Tirante: Acciaio inox Eyebolt: Stainless steel Augenschraube: Edelstahl
 Testina: PA o Acciaio inox Heads: PA or stainless steel Schwenkopf: PA oder Edelstahl
 Vite, rondella e dado: Acciaio inox Screw, washers and nut: Stainless steel Schraube, Unterlegs und Mutter: Edelstahl

311 Supporto laterale -grande- orientabile Side bracket -large- adjustable / Geländerhalter -groß- einstellbar

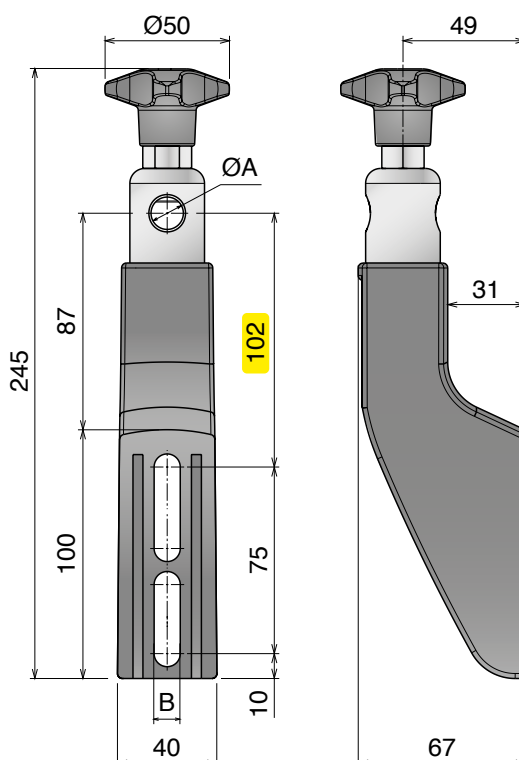
Delivery: **Easy** Standard



Part	Article-Nr.	ØA	B
311	31101	12	9
311	31105	14	9
311	31102	16	9
311	31103	12	10,5
311	31106	14	10,5
311	31104	16	10,5
311	31109	bracket	9
311	31110	bracket	10,5

312 Supporto laterale -grande- orientabile INOX Side bracket -large- adjustable SS / Geländerhalter -groß- einstellbar Edelstahl

Delivery: **Easy** Standard



Part	Article-Nr.	ØA	B
312	31201	12	9
312	31205	14	9
312	31202	16	9
312	31203	12	10,5
312	31206	14	10,5
312	31204	16	10,5

Materiale / Material / Materialien:

Supporto: Acciaio inox Support: Stainless steel Halter: Edelstahl

Volantino: PA+ottone nichelato Knob: PA+nickel plated brass Sterngriff: PA+ Messing vernickelt

398

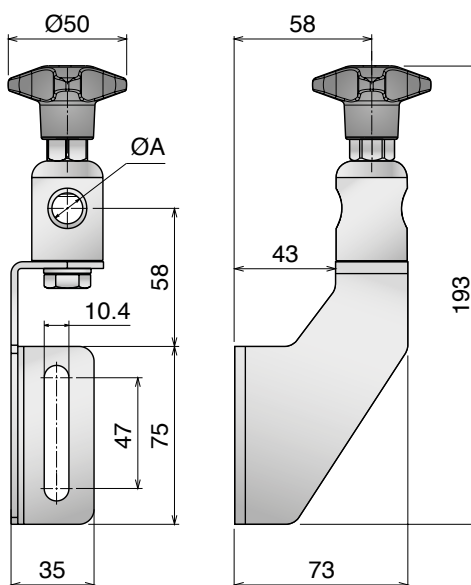
Supporto laterale inox -medio- orientabile

SS bracket -medium- adjustable / Edelstahl Geländerhalter -medium- einstellbar

Stainless Steel | AISI 304

Delivery: **Easy** Standard

Part	Article-Nr.	ØA
398	39860	12
398	39862	14
398	39861	16

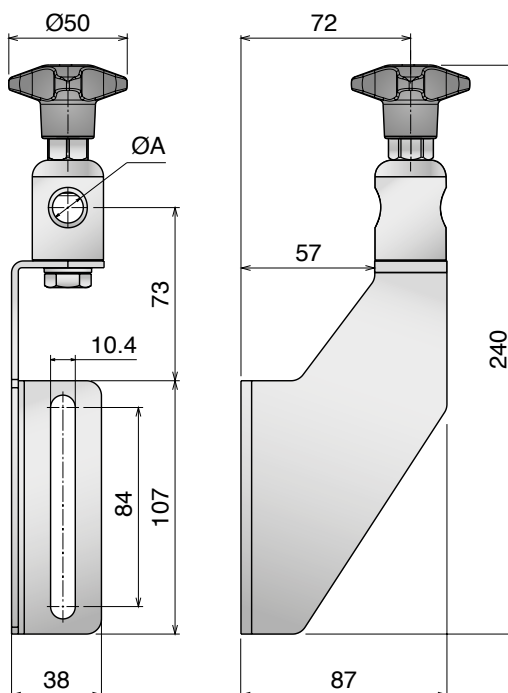


Supporto laterale inox -grande- orientabile

SS bracket -large- adjustable / Edelstahl Geländerhalter -groß- einstellbar

Stainless Steel | AISI 304

Part	Article-Nr.	ØA
398	39870	12
398	39872	14
398	39871	16



Materiale / Material / Materialien:

Volantino: PA+ottone nichelato Knob: PA+nickel plated brass Sterngriff: PA+ Messing vernickelt

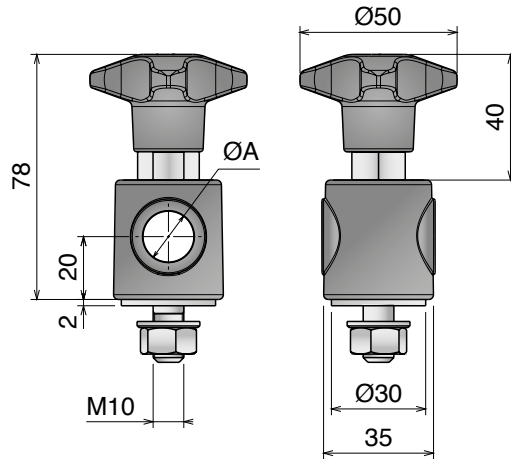
Tirante: Acciaio inox Eyebolt: Stainless steel Augenschraube: Edelstahl

Testina: PA o Acciaio inox Heads: PA or stainless steel Schwenkkopf: PA oder Edelstahl

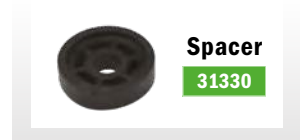
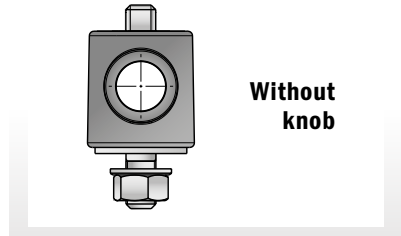
Vite, rondella e dado: Acciaio inox Screw, washers and nut: Stainless steel Schraube, Unterlegs und Mutter: Edelstahl

313 Testina orientabile Adjustable head / Schwenkkopf

Delivery: **Easy** **Standard**

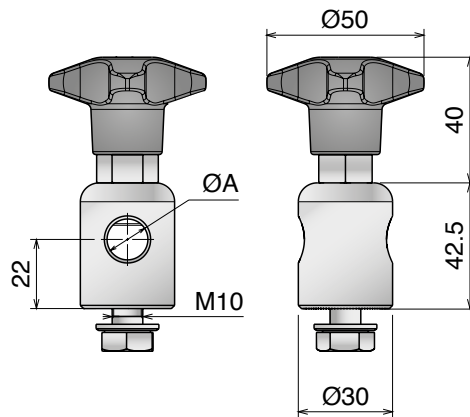


Part	Article-Nr.	ØA
313	31301	12
313	31303	14
313	31302	16
313	31311	12-without knob
313	31313	14-without knob
313	31312	16-without knob

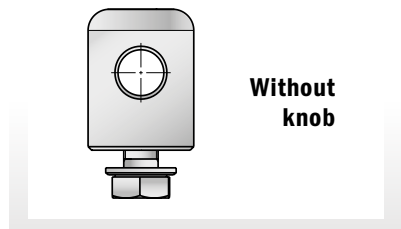


314 Testina orientabile, acciaio inox Adjustable head, stainless steel / Schwenkkopf, Edelstahl

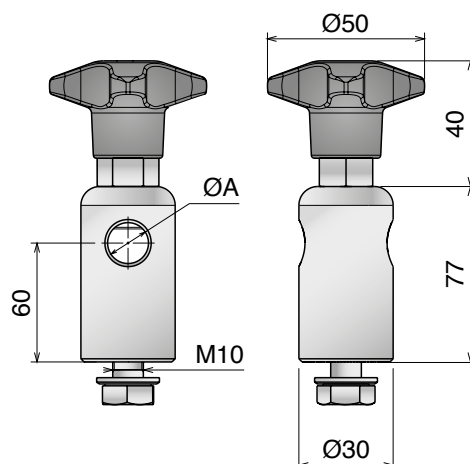
Delivery: **Easy** **Standard**



Part	Article-Nr.	ØA
314	31401	12
314	31403	14
314	31402	16
314	31411	12-without knob
314	31413	14-without knob
314	31412	16-without knob



Testina orientabile alta, acciaio inox Adjustable head, stainless steel / Schwenkkopf, Edelstahl



Part	Article-Nr.	ØA
314	31409	12
314	31414	14
314	31410	16
314	31419	12-without knob
314	31421	14-without knob
314	31420	16-without knob



315-316

Componenti / Conveyor components / Komponenten

Materiale / Material / Materialien:
Acciaio inox / Stainless steel / Edelstahl

315 Supporto laterale "L" L-bracket / Winkel

Stainless Steel | AISI 304

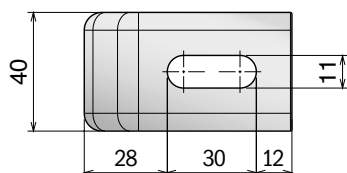
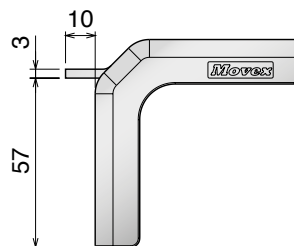
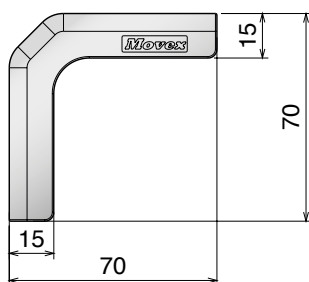
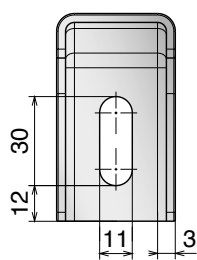
Delivery: **Easy** **Standard**

Part	Article-Nr.	Type
315	31501	A
315	31502	B



Type A - without nose

Type B - with nose



316 Supporto laterale "L" L-bracket / Winkel

Stainless Steel | AISI 304

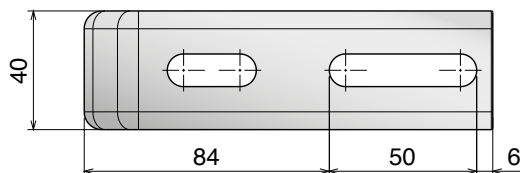
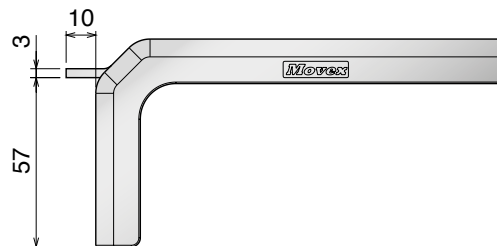
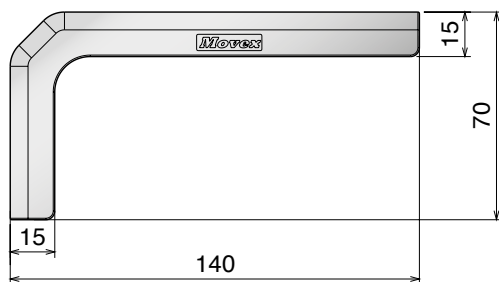
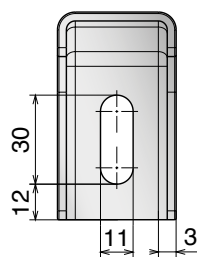
Delivery: **Easy** **Standard**

Part	Article-Nr.	Type
316	31601	A
316	31602	B



Type A - without nose

Type B - with nose

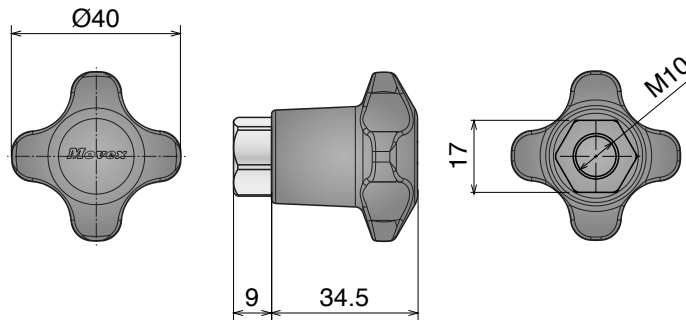
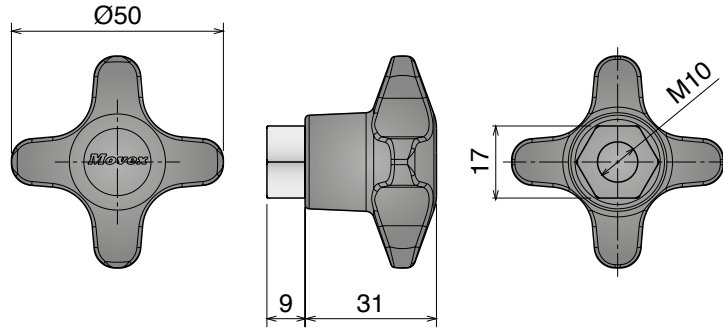


Materiale / Material / Materialien:
 Poliammide + ottone nichelato
 Polyamide + nickel plated brass
 Polyamid + Messing vernickelt

317 Volantino Star knob / Sterngriff

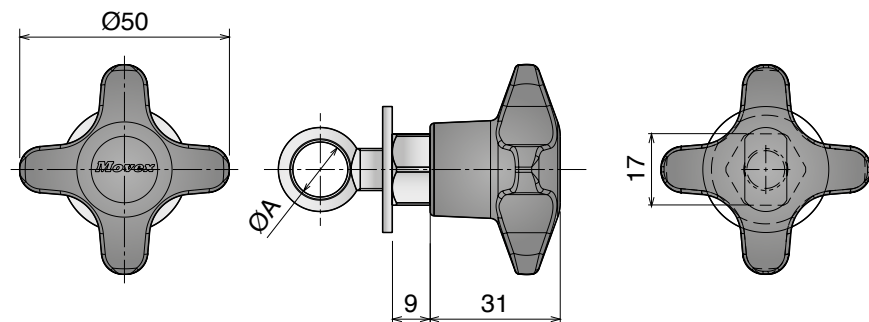
Delivery: **Easy** Standard

Part	Article-Nr.	Ø
317	31701	50
317	31702	40



Volantino con tirante Star knob with eye-bolt / Sterngriff mit Augenschraube

Part	Article-Nr.	ØA
317	31799	12
317	31797	14
317	31798	16



318-319-3001

Componenti / Conveyor components / Komponenten

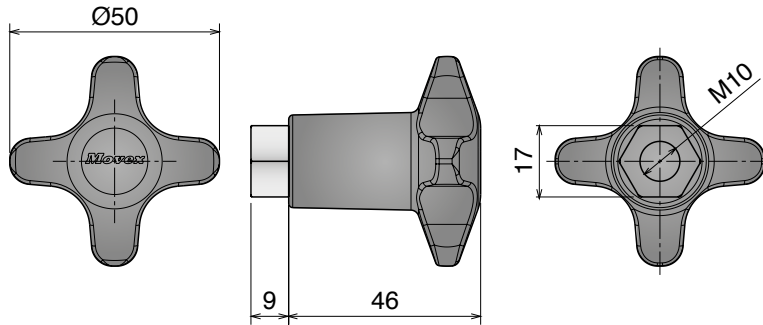
Materiale / Material / Materialien:

Poliammide + ottone nichelato / Acciaio inox / Ottone
 Polyamide + nickel plated brass / Stainless steel / Brass
 Polyamid + Messing vernickelt / Edelstahl / Messing

318 Volantino Star knob / Sterngriff

Delivery: **Easy** **Standard**

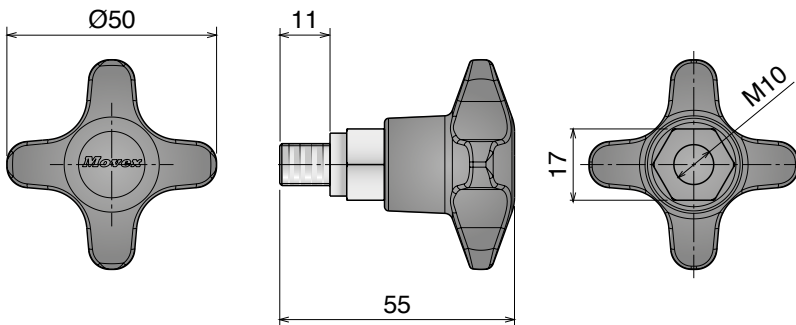
Part	Article-Nr.
318	31801



319 Volantino Star knob / Sterngriff

Delivery: **Easy** **Standard**

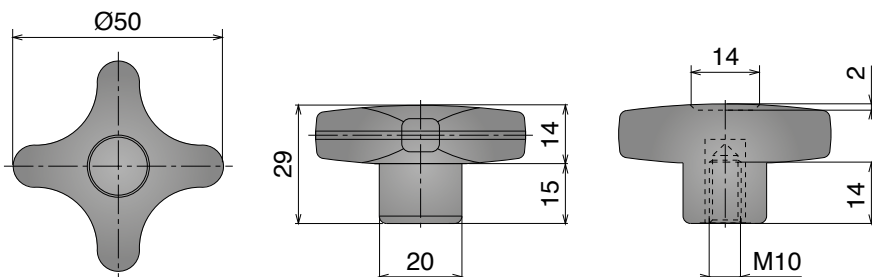
Part	Article-Nr.	Ø
319	31901	50



3001 Volantino a croce con boccia filettata Star knob with threaded bush / Sterngriff mit Innengewinde

New

Part	Article-Nr.	Threaded bush material
3001	300101	Stainless steel
3001	300102	Brass



Materiale / Material / Materialien:

Part. 320: Poliammide + ottone nichelato / Polyamide + nickel plated brass / Polyamid + messing vernickelt
 Part. 3002: Poliammide + ottone / Polyamide + brass / Polyamid + messing

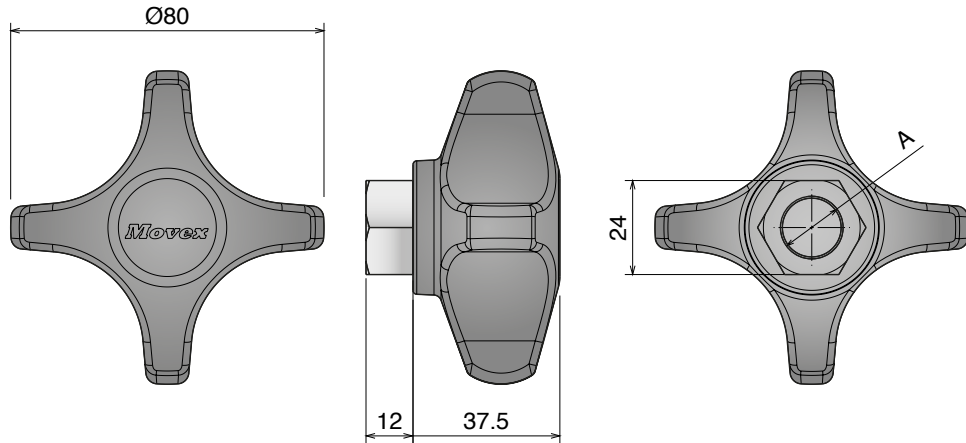
320-3002

Componenti / Conveyor components / Komponenten

320 Volantino Ø80 Star knob Ø80 / Sterngriff Ø80

Delivery: **Easy** Standard

Part	Article-Nr.	A
320	32001	M12
320	32002	M16

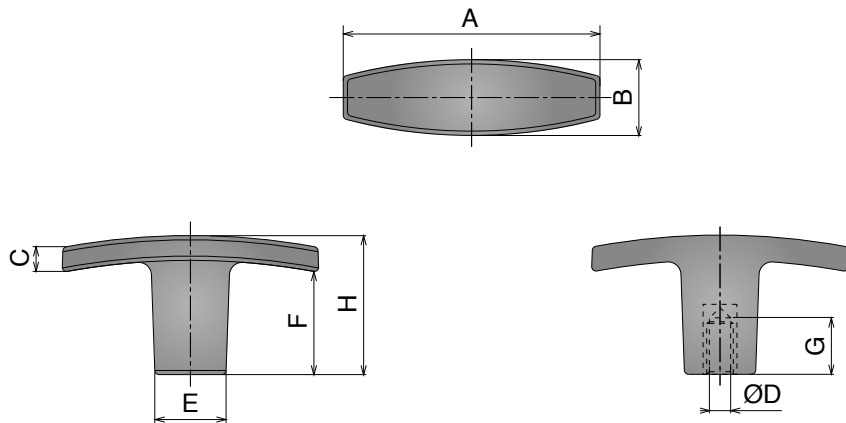


3002 Tirante con boccia filettata Handle with threaded insert / T-Griff mit Innengewinde

New

Delivery: **Easy** Standard

Part	Article-Nr.	A	B	C	ØD	E	F	G	H
3002	300201	50	15	5	M6	14	17	10	24
3002	300202	50	15	5	M8	14	17	14	24
3002	300203	60	18	6	M10	16.5	24	21	33

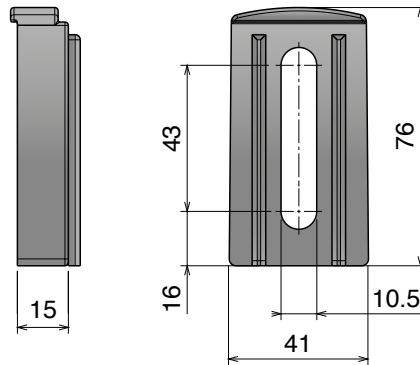


321 Distanziale per supporto -piccolo- Spacer for bracket -small- / Distanzstück für Geländerhalter -klein-

Delivery: **Easy** **Standard**

Part Article-Nr.

321 32101



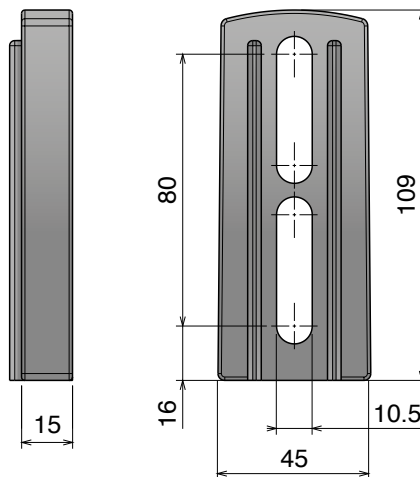
Use with bracket
part. 301-302
pag 361

322 Distanziale per supporto -medio- Spacer for bracket -medium- / Distanzstück für Geländerhalter -medium-

Delivery: **Easy** **Standard**

Part Article-Nr.

322 32201



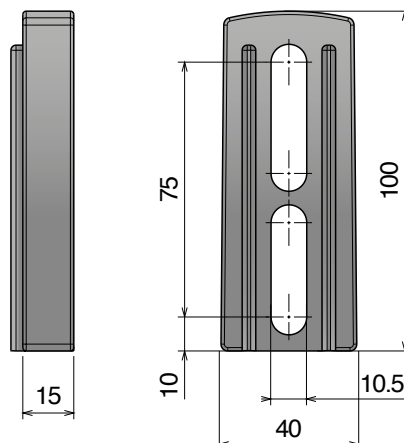
Use with bracket
part. 305-306-307-308
pag 362-363

323 Distanziale per supporto -grande- Spacer for bracket -large- / Distanzstück für Geländerhalter -groß-

Delivery: **Easy** **Standard**

Part Article-Nr.

323 32301



Use with bracket
part. 309-310-311-312
pag 364-365

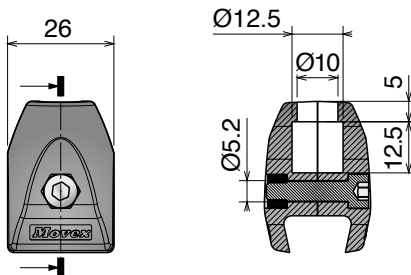
• **Materiale / Material / Materialien:** Morsetti: PA/Clamp: PA/Klemme: PA
 Vite, perno e rondella: Acciaio inox/Screw, pin and washer: Stainless steel
 Schraube, Bolzen und Scheibe: Edelstahl
 Dado: ottone nichelato/Nut: nickel plated brass/Mutter: Messing vernickelt

324 Morsetto singolo per guida laterale conica Single clamp for conical side guide / Einfachklemme für konische Seitenführung

Delivery: **Easy** Standard

Part Article-Nr.

324 32401



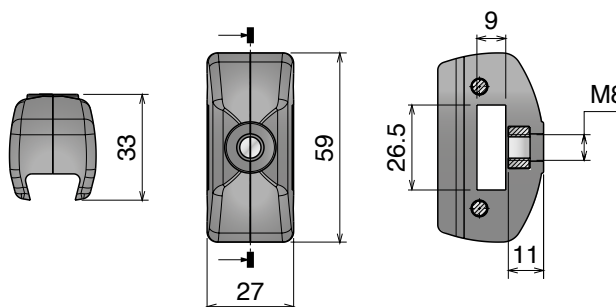
Pin design
 pag 380

325 Morsetto singolo per guida laterale conica Single clamp for conical side guide / Einfachklemme für konische Seitenführung

Delivery: **Easy** Standard

Part Article-Nr.

325 32501

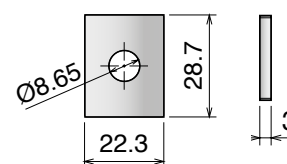
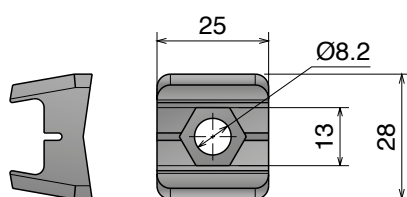


326 Morsetto singolo per guida laterale conica Single clamp for conical side guide / Einfachklemme für konische Seitenführung

Delivery: **Easy** Standard

Part Article-Nr.

326 32601



Reinforcement plate **33201**

327 Morsetto doppio per guida laterale conica Double clamp for conical side guide / Doppelklemme für konische Seitenführung

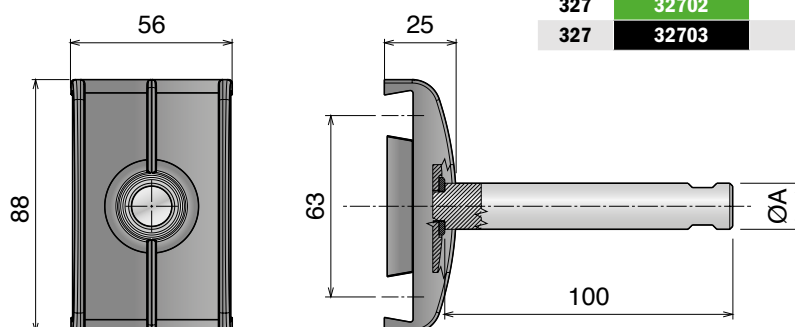
Delivery: **Easy** Standard

Part Article-Nr. ØA

327 32701 without pin

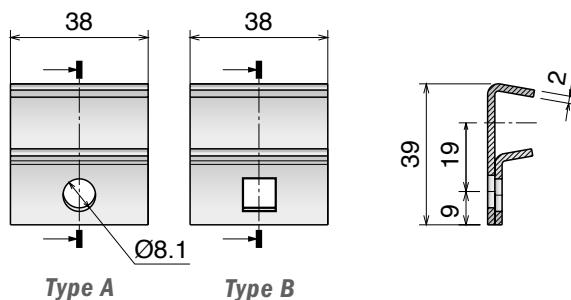
327 32702 12

327 32703 16



328 Morsetto singolo per guida laterale conica Single clamp for conical side guide / Einfachklemme für konische Seitenführung

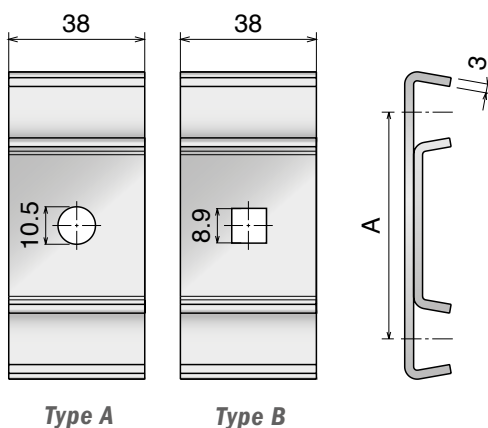
Delivery: **Easy** Standard



Part	Article-Nr.	Material	Type
328	32801	AISI 304	A
328	32802	AISI 304	B
328	32811	AISI 316	A

329 Morsetto doppio per guida laterale conica Double clamp for conical side guide / Doppelklemme für konische Seitenführung

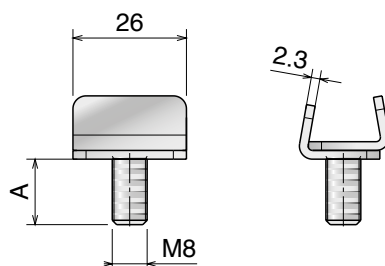
Delivery: **Easy** Standard



Part	Article-Nr.	A	Type
329	32904	50,0	A
329	32901	63,5	A
329	32902	82,55	A
329	32903	95,25	A
329	32911	63,5	B
329	32912	82,55	B
329	32913	95,25	B

330 Morsetto singolo per guida laterale conica Single clamp for conical side guide / Einfachklemme für konische Seitenführung

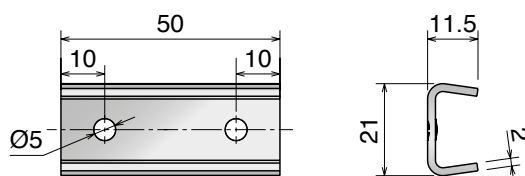
Delivery: **Easy** Standard



Part	Article-Nr.	A
330	33001	15
330	33002	26
330	33003	20
330	33004	30

390 Elemento di giunzione Connecting element / Verbinder

Delivery: **Easy** Standard



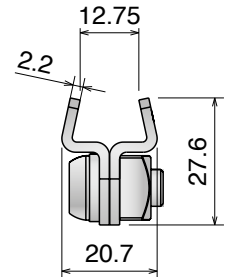
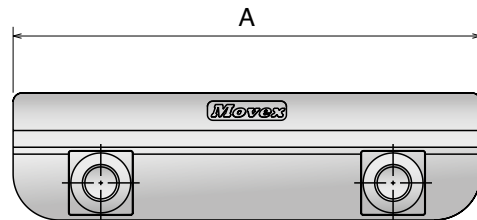
Part	Article-Nr.
390	39001

Materiale / Material / Materialien: Acciaio inox/Stainless steel/Edelstahl
 Morsetti: Resina acetalica/Clamp: Acetal resin/Klemme: Azetal
 Vite, perno e dadi: Acciaio inox/Screw, pin and nut: Stainless steel
 Schraube, Bolzen und Mutter: Edelstahl

392 Elemento di connessione Connecting clamp / Verbindungsklemme

Delivery: **Easy** **Standard**

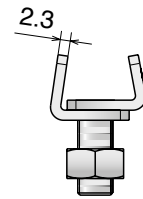
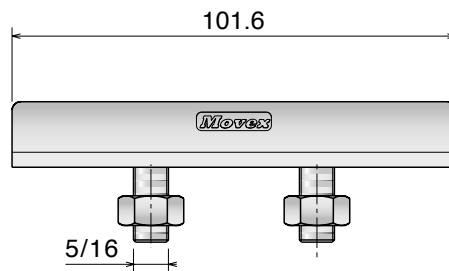
Part	Article-Nr.	A
392	39201	75
392	39202	100
392	39203	150



393 Elemento di connessione Connecting clamp / Verbindungsklemme

Delivery: **Easy** **Standard**

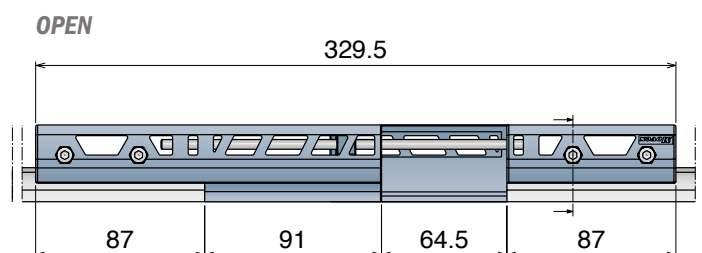
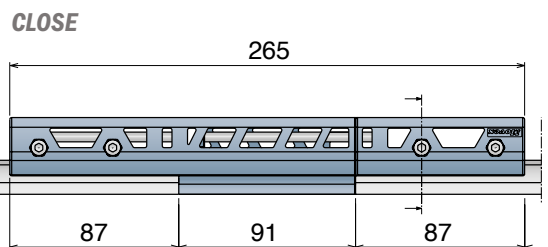
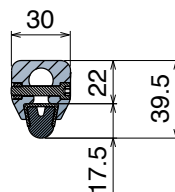
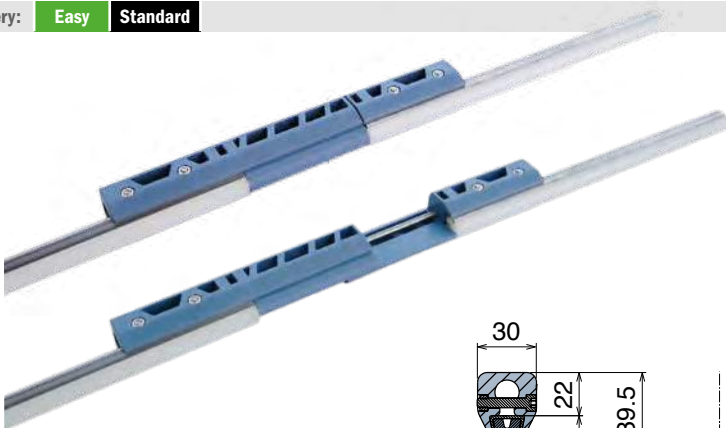
Part	Article-Nr.
393	39302



336 Morsetto aggiustabile guide coniche Adjustable clamp for conical guide / verstellbare Klemme für konische Führungen

Delivery: **Easy** **Standard**

Part	Article-Nr.
336	33601



394-341

Componenti / Conveyor components / Komponenten

Materiale / Material / Materialien: Acciaio inox / Stainless steel / Edelstahl

Morsetti: PA / Clamp: PA / Klemme: PA

Vite, perno e rondelle: Acciaio inox / Screw, pin and washer: Stainless steel / Schraube, Bolzen und Scheibe: Edelstahl

Dado: ottone nichelato / Nut: nickel plated brass / Mutter: Messing vernickelt

394 Morsetto di giunzione Joint clamp / Verbindungsplatte

Delivery: **Easy** Standard



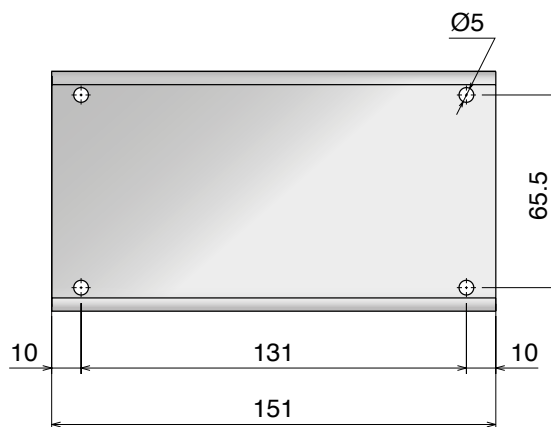
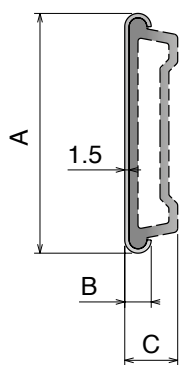
Part	Article-Nr.	A	B	C	Specific
394	39401	81,5	9	18	used with part 135
394	39402	90	8	17	used with part 136



Used with
Part 135
Pag 335



Used with
Part 136
Pag 335

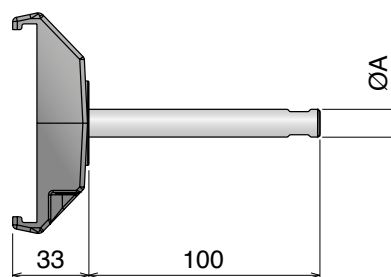


341 Morsetto Clamp / Klemme

Delivery: **Easy** Standard



Type A



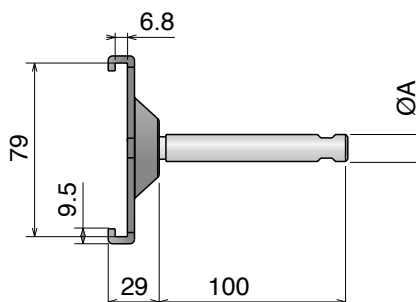
Part	Article-Nr.	ØA	Type
341	34101	without pin	A
341	34102	12	A
341	34103	16	A



Used with
Part 136
Pag 335



Type B



Part	Article-Nr.	ØA	Type
341	34111	without pin	B
341	34112	12	B
341	34113	16	B



Used with
Part 135
Pag 335

Materiale / Material / Materialien:

Morsetti: acciaio inox/Clamp: SS/Klemme: Edelstahl

Viti e perno: Acciaio inox/Screws and pin: Stainless steel/Schraube und Bolzen:Edelstahl

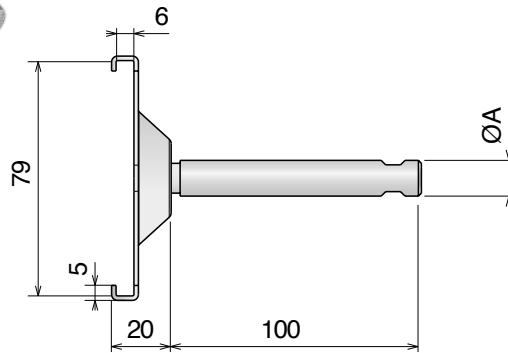
Dadi: ottone nichelato/Nuts: nickel plated brass/Mutter: Messing vernickelt

331 Morsetto acciaio inox
Clamp, stainless steel / Klemme, Edelstahl

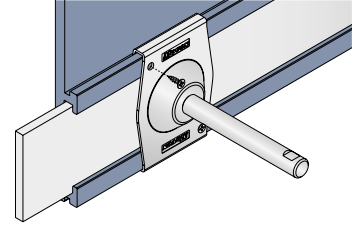
New

Delivery: **Easy** Standard

Part	Article-Nr.	ØA
331	33101	without pin
331	33102	12
331	33103	16



For straight application

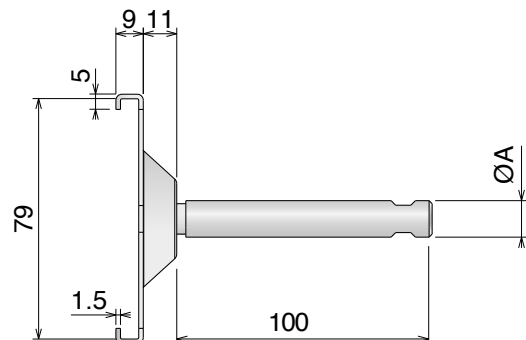
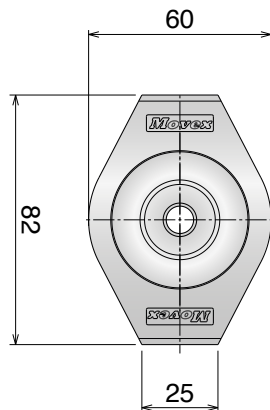


Used with Part:

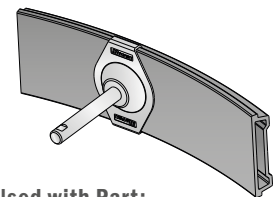
135 Pag 335 - 187 Pag 340
189 Pag 339 - 1056 Pag 341
1057 Pag 341

Morsetto acciaio inox
Clamp, for side guide / Klemme, Edelstahl

Part	Article-Nr.	ØA
331	33105	without pin
331	33106	12
331	33107	16



For curved application



Used with Part:

135 Pag 335 - 187 Pag 340
189 Pag 339 - 1056 Pag 341
1057 Pag 341

345

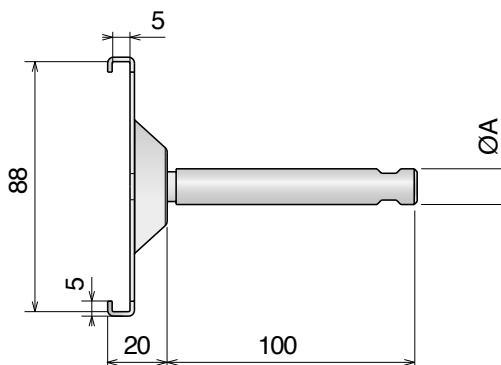
Morsetto acciaio inox
Clamp, stainless steel / Klemme, Edelstahl

Delivery: **Easy** **Standard**

Part	Article-Nr.	ØA
345	34501	without pin
345	34502	12
345	34503	16



Used with
Part 136
Pag 335

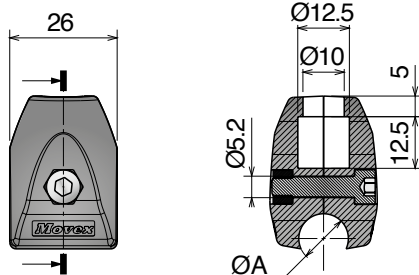


337 Morsetto singolo per tondino

Single clamp for round bar / Einfachklemme für Rund Profil

Delivery: **Easy** Standard

Part	Article-Nr.	ØA
337	33701	10
337	33702	12



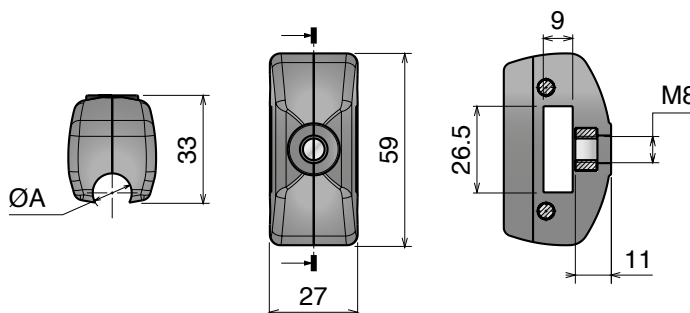
Pin design
pag 380

338 Morsetto singolo per tondino

Single clamp for round bar / Einfachklemme für Rund Profil

Delivery: **Easy** Standard

Part	Article-Nr.	ØA
338	33801	10
338	33802	12

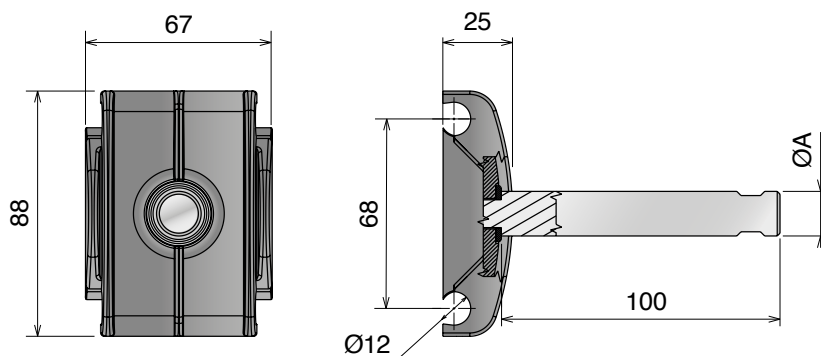


339 Morsetto doppio per tondino

Double clamp for round bar / Doppelklemme für Rund Profil

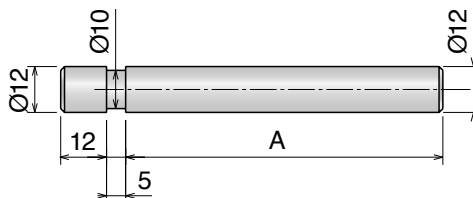
Delivery: **Easy** Standard

Part	Article-Nr.	ØA
339	33901	without pin
339	33902	12
339	33904	14
339	33903	16



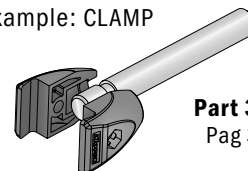
349 Perno Rod / Bolzen

Delivery: **Easy** **Standard**



Part	Article-Nr.	A
349	34901	80
349	34902	100
349	34903	150

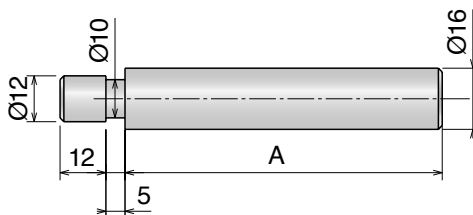
Example: CLAMP



Part 324
Pag 373

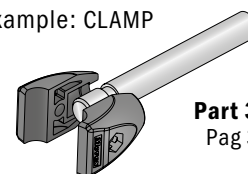
350 Perno Rod / Bolzen

Delivery: **Easy** **Standard**



Part	Article-Nr.	A
350	35001	80
350	35002	100
350	35003	150

Example: CLAMP



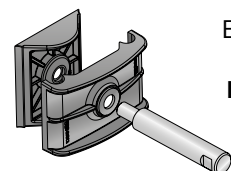
Part 337
Pag 379

351 Perno Rod / Bolzen

Delivery: **Easy** **Standard**



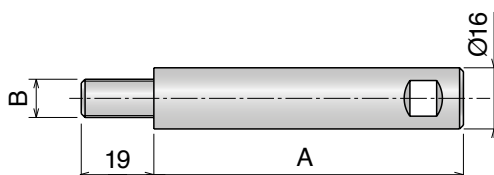
Part	Article-Nr.	A	B
351	35101	80	M10
351	35102	100	M10
351	35103	150	M10
351	35151	80	M8
351	35152	100	M8
351	35153	150	M8



Example:
CLAMP
Part 339
Pag 379

352 Perno Rod / Bolzen

Delivery: **Easy** **Standard**



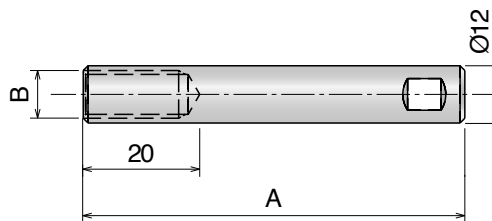
Part	Article-Nr.	A	B
352	35201	80	M10
352	35202	100	M10
352	35203	150	M10
352	35251	80	M8
352	35252	100	M8
352	35253	150	M8

347 Perno filettato femmina Rod / Bolzen

Delivery: **Easy** Standard



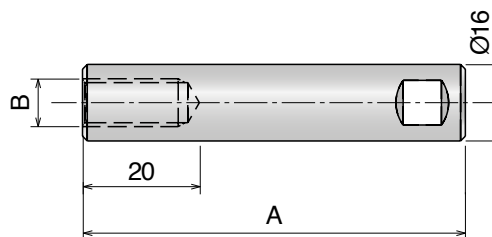
Part	Article-Nr.	A	B
347	34701	80	M10
347	34702	100	M10
347	34703	150	M10
347	34751	80	M8
347	34752	100	M8
347	34753	150	M8



348 Perno filettato femmina Rod / Bolzen



Part	Article-Nr.	A	B
348	34801	80	M10
348	34802	100	M10
348	34803	150	M10
348	34851	80	M8
348	34852	100	M8
348	34853	150	M8

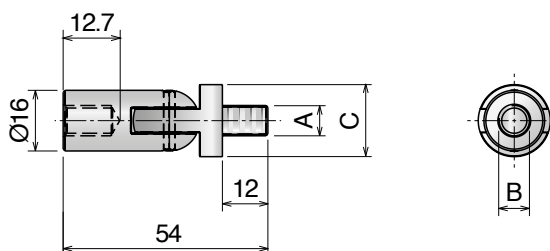


346 Snodo Joint rod adapter / Gelenk

Delivery: **Easy** **Standard**



Part	Article-Nr.	A	B	C
346	34601	M8	M8	19
346	34602	M8	M10	19
346	34603	M10	M10	19
346	34699	M8	M8	16



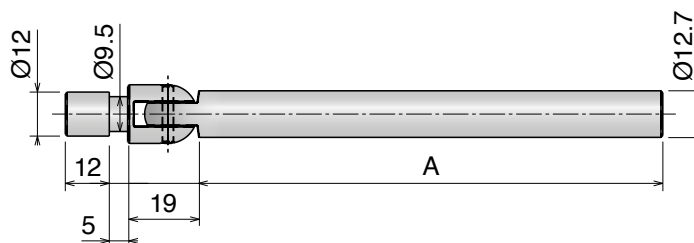
356 Perno snodato Jointed rods / Gelenkbolzen

Delivery: **Easy** **Standard**



Part	Article-Nr.	A
356	35601	80
356	35602	100
356	35603	150

Use with bracket:
Part 324 Pag 373
Part 337 Pag 379

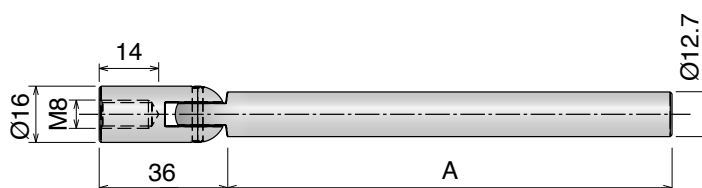


357 Perno snodato Jointed rods / Gelenkbolzen

Delivery: **Easy** **Standard**



Part	Article-Nr.	A
357	35701	80
357	35702	100
357	35703	150

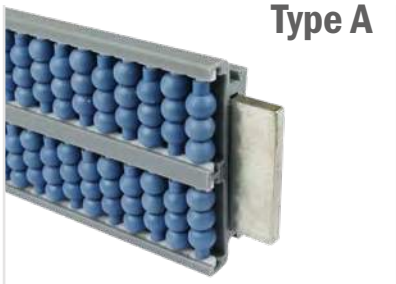


Materiale / Material / Materialien:
 Polietilene HMW-PE / Polyethylene HMW-PE / Polyethylen HMW-PE
 Rulli: resina acetalica o gomma SEBS / Rollers: Acetal Resin or SEBS
 rubber / Röllchen: Azetal oder SEBS gummi

335 Guide a rulli laterale
 Roller guides / Röllchenführung

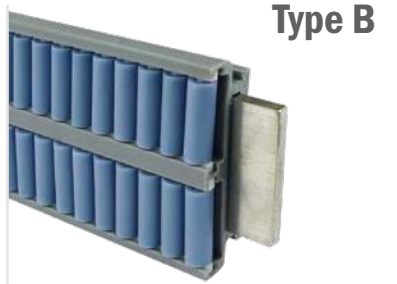
Max fixing load M8 screw: 15 N/m

New Patented **New**



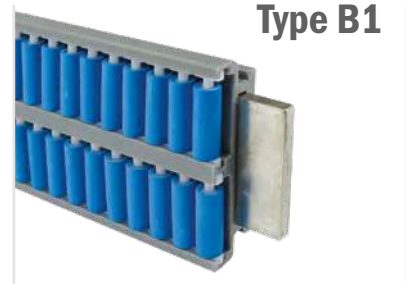
Type A

Part	Article-Nr.	Type
335	33502	A



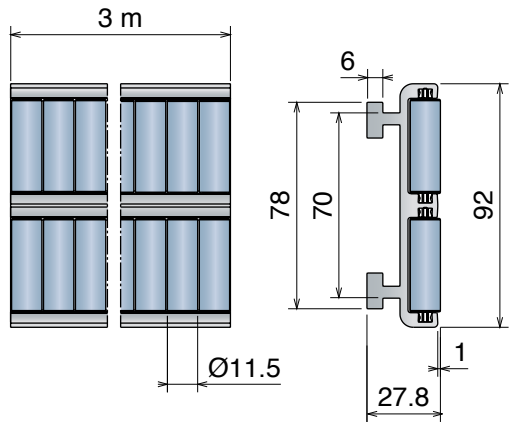
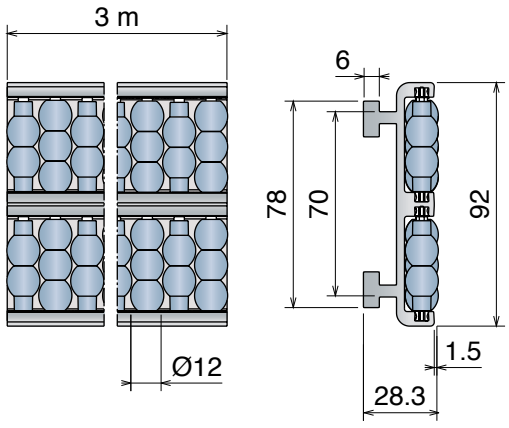
Type B

Part	Article-Nr.	Type
335	33504	B



Type B1

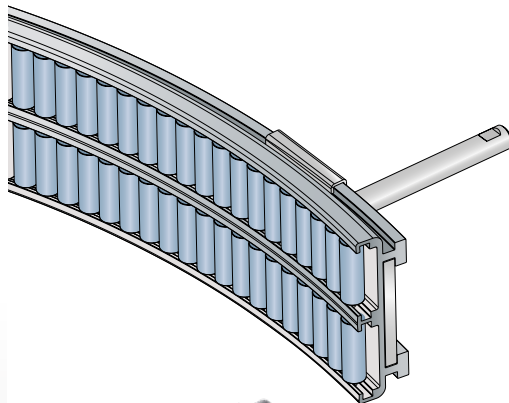
Part	Article-Nr.	Type
335	33506	B1



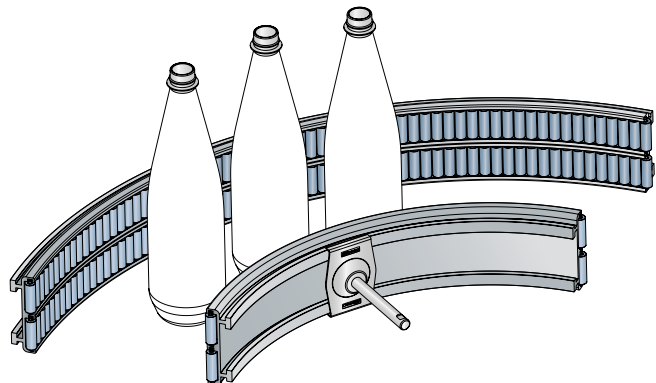
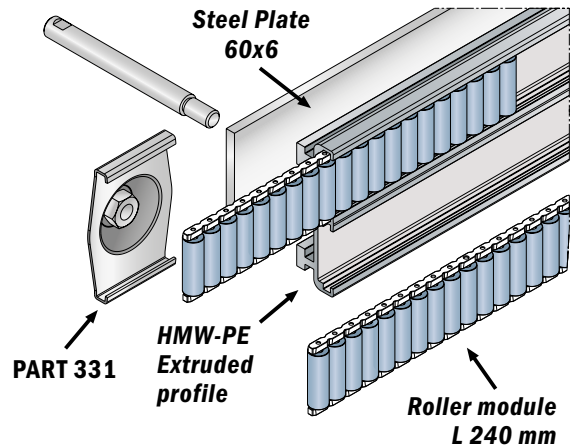
Soft roller
SEBS rubber

Advantages:

- ▶ Noise reduction
- ▶ Improved product stability



Available roller
for bending
machine



Materiale / Material / Materialien:

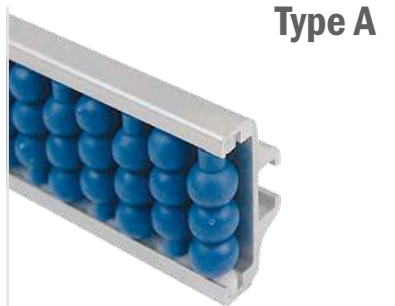
Guida: alluminio anodizzato / Guide: anodized aluminum / Führung: eloxiertem Aluminium

Rulli: resina acetica o gomma SEBS / Rollers: Acetal Resin or SEBS rubber / Röllchen: Azetal oder SEBS gummi

Vite: Acciaio inox / Screw: Stainless steel / Schrauben: Edelstahl

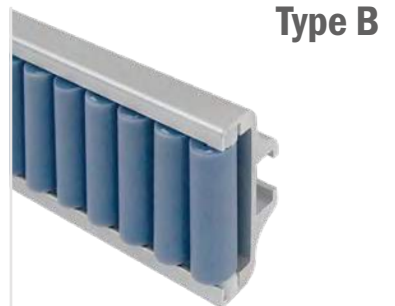
358 Guide a rulli laterale Roller guides / Röllchenführung

Delivery: **Easy** **Standard** Max fixing load M8 screw: 15 N/m



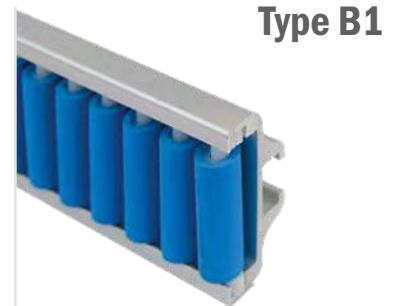
Type A

Part	Article-Nr.	Type
358	35802	A



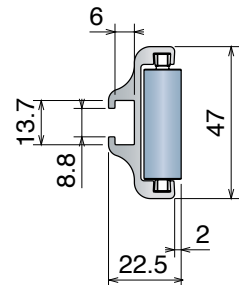
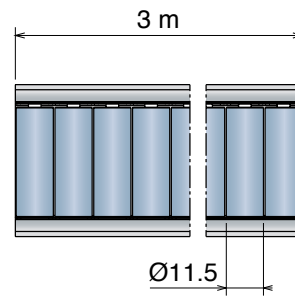
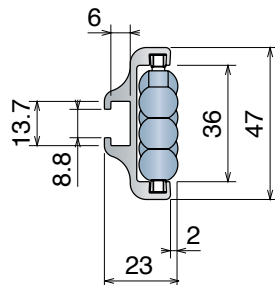
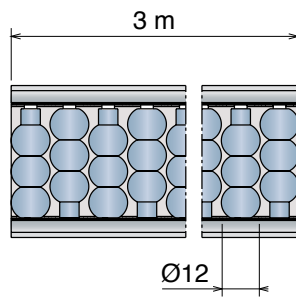
Type B

Part	Article-Nr.	Type
358	35804	B



Type B1

Part	Article-Nr.	Type
358	35806	B1



**Soft roller
SEBS rubber**

Roller
pag 322-323



Fixing screw:
M8 hex.head
or **PART 362** Pag 394



Puntale / Shoe / Einlaufschuh



Part	Article-Nr.	Type
364	36401	fresato/machined/gefräst

Discover more options:
Pag 390/391

Materiale / Material / Materialien:

Guida: alluminio anodizzato / Guide: anodized aluminum / Führung: eloxiertem Aluminium
 Rulli: resina acetilica o gomma SEBS / Rollers: Acetal Resin or SEBS rubber / Röllchen: Azetal oder SEBS gummi
 Vite: Acciaio inox / Screw: Stainless steel / Schrauben: Edelstahl

359

Guide a rulli laterale

Roller guides / Röllchenführung

Delivery: **Easy** **Standard** Max fixing load M8 screw: 15 N/m



Type A

Part	Article-Nr.	Type
359	35902	A



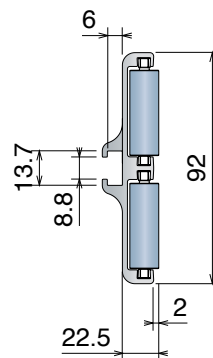
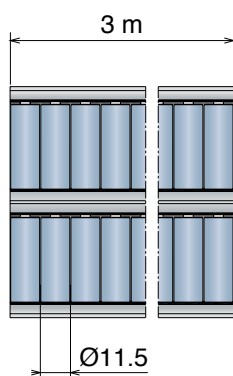
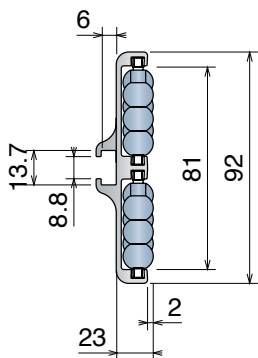
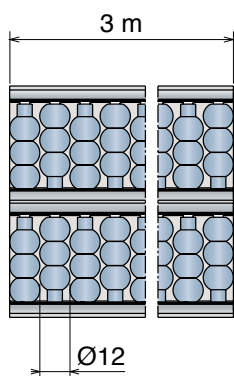
Type B

Part	Article-Nr.	Type
359	35904	B



Type B1

Part	Article-Nr.	Type
359	35906	B1



Soft roller
SEBS rubber

Roller
pag 322-323



Fixing screw:
M8 hex.head
or **PART 362** Pag 394



Puntale / Shoe / Einlaufschuh



Part	Article-Nr.	Type
365	36501	fresato/machined/gefräst

Discover more options:
Pag 390/391

Materiale / Material / Materialien:

Guida: alluminio anodizzato / Guide: anodized aluminum / Führung: eloxiertem Aluminium
 Rulli: resina acetica o gomma SEBS / Rollers: Acetal Resin or SEBS rubber / Röllchen: Azetal oder SEBS gummi

360 Guide a rulli intermedia Roller guides / Röllchenführung

Delivery: **Easy** **Standard** Max fixing load M8 screw: 15 N/m



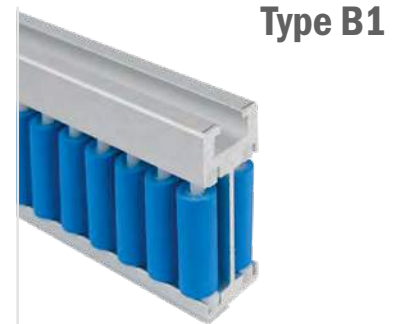
Type A

Part	Article-Nr.	Type
360	36002	A



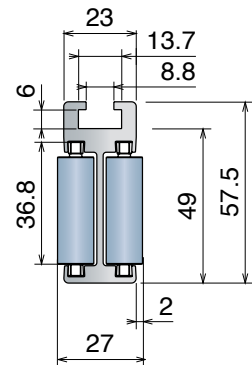
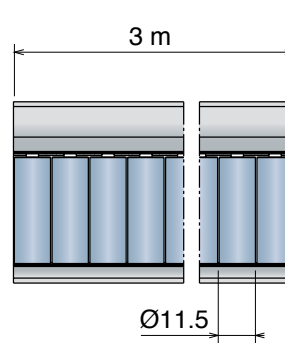
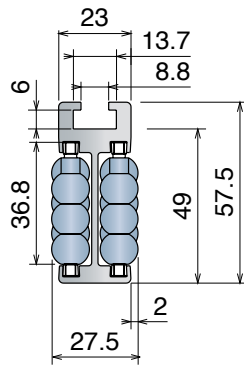
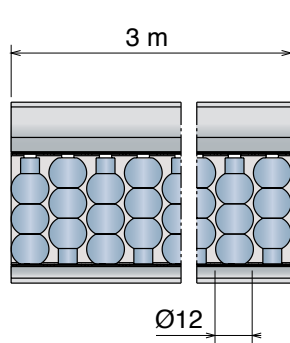
Type B

Part	Article-Nr.	Type
360	36004	B



Type B1

Part	Article-Nr.	Type
360	36006	B1



**Soft roller
 SEBS rubber**

Roller
 pag 322-323



Fixing screw:
 M8 hex.head
 or **PART 362** Pag 394



Puntale / Shoe / Einlaufschuh



Part	Article-Nr.	Type
366	36601	fresato/machined/gefräst

Discover more options:
 Pag 390/391

Materiale / Material / Materialien:

Guida: alluminio anodizzato / Guide: anodized aluminum / Führung: eloxiertem Aluminium
 Rulli: resina acetica o gomma SEBS / Rollers: Acetal Resin or SEBS rubber / Röllchen: Azetal oder SEBS gummi

360 Guide a rulli intermedia
 Roller guides / Röllchenführung

Reinforced Version

New

Max fixing load M8 screw: 15 N/m



Type A

Part	Article-Nr.	Type
360	36012	A



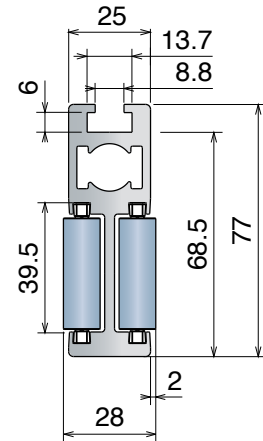
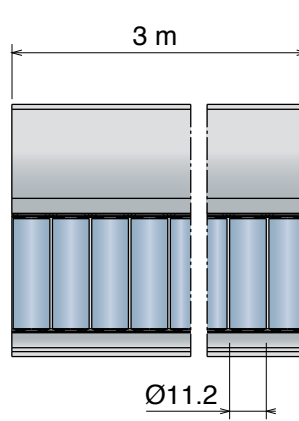
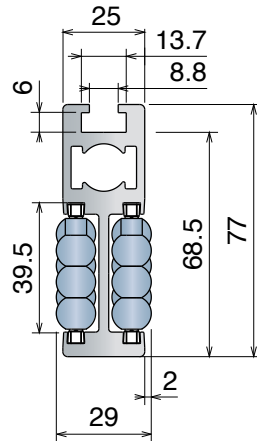
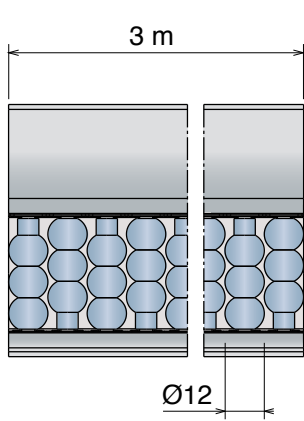
Type B

Part	Article-Nr.	Type
360	36014	B



Type B1

Part	Article-Nr.	Type
360	36016	B1



Soft roller
SEBS rubber

Roller
pag 322-323



Fixing screw:
M8 hex.head
or PART 362 Pag 394

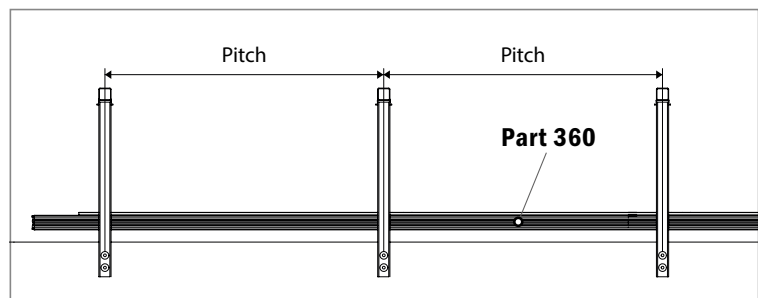


Puntale / Shoe / Einlaufschuh



Part	Article-Nr.	Type
366	36601	fresato/machined/gefräst

Discover more options: Pag 390/391



Part. 360 Reinforced version is a reliable roller guides solution, the new robust design permits less support elements and allows higher pitches.

Example of application

Materiale / Material / Materialien:

Guida: alluminio anodizzato / Guide: anodized aluminum / Führung: eloxiertem Aluminium
 Rulli: resina acetica o gomma SEBS / Rollers: Acetal Resin or SEBS rubber / Röllchen: Azetal oder SEBS gummi

361 Guide a rulli intermedia Roller guides / Röllchenführung

Delivery: **Easy** **Standard** Max fixing load M8 screw: 15 N/m



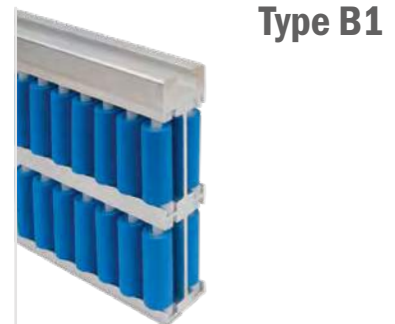
Type A

Part	Article-Nr.	Type
361	36102	A



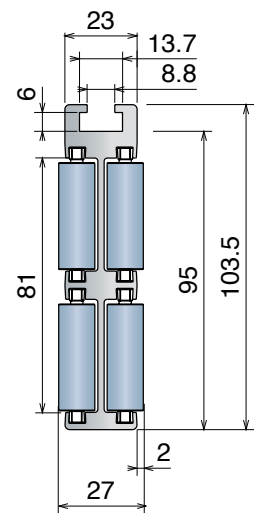
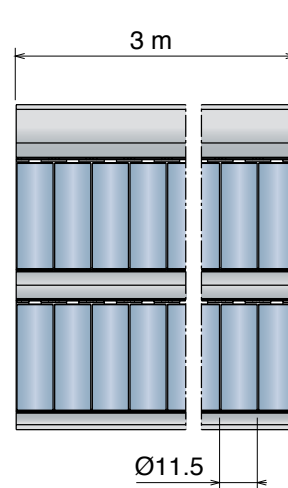
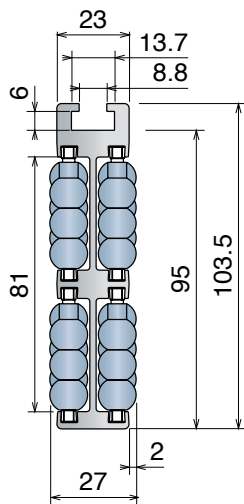
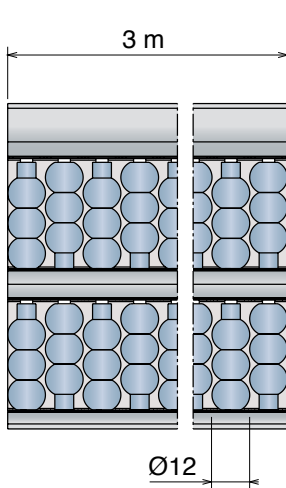
Type B

Part	Article-Nr.	Type
361	36104	B



Type B1

Part	Article-Nr.	Type
361	36106	B1



**Soft roller
 SEBS rubber**

Roller
 pag 322-323



Fixing screw:
 M8 hex.head
 or **PART 362** Pag 394



Puntale / Shoe / Einlaufschuh



Part	Article-Nr.	Type
367	36701	fresato/machined/gefräst

Discover more options:
 Pag 390/391

Materiale / Material / Materialien:

Guida: alluminio anodizzato / Guide: anodized aluminum / Führung: eloxiertem Aluminium
 Rulli: resina acetilica o gomma SEBS / Rollers: Acetal Resin or SEBS rubber / Röllchen: Azetal oder SEBS gummi

361 Guide a rulli intermedia
 Roller guides / Röllchenführung

Reinforced Version

New

Delivery: **Easy** **Standard** Max fixing load M8 screw: 15 N/m



Type A

Part	Article-Nr.	Type
361	36112	A



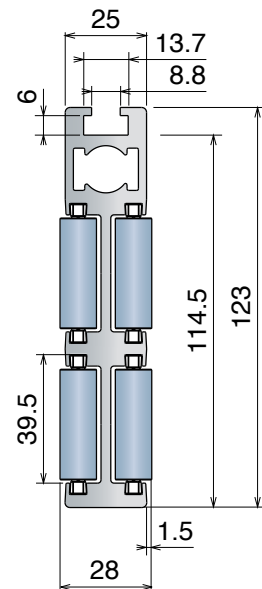
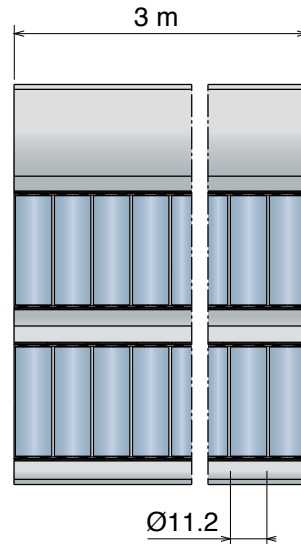
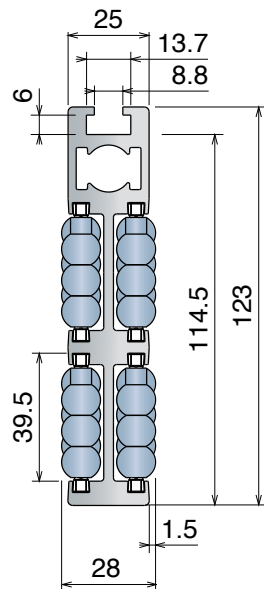
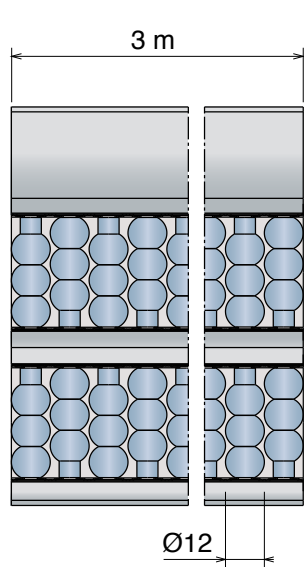
Type B

Part	Article-Nr.	Type
361	36114	B



Type B1

Part	Article-Nr.	Type
361	36116	B1



Soft roller
SEBS rubber

Roller
pag 322-323



Fixing screw:
M8 hex.head
or PART 362 Pag 394

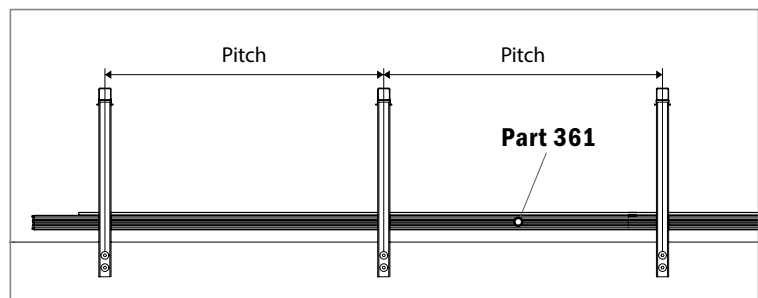


Puntale / Shoe / Einlaufschuh



Part	Article-Nr.	Type
367	36701	fresato/machined/gefräst

Discover more options: Pag 390/391



Part. 361 Reinforced version is a reliable roller guides solution, the new robust design permits less support elements and allows higher pitches.

Example of application

364-365

Componenti / Conveyor components / Komponenten

Materiale / Material / Materialien:

Rulli: Resina acetlica / Rollers: Acetal Resin / Röllchen: Azetal

Grano: Acciaio inox/Grub Screws: Stainless steel/Gewindestift: Edelstahl

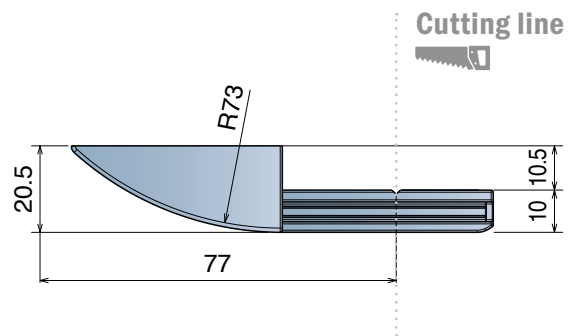
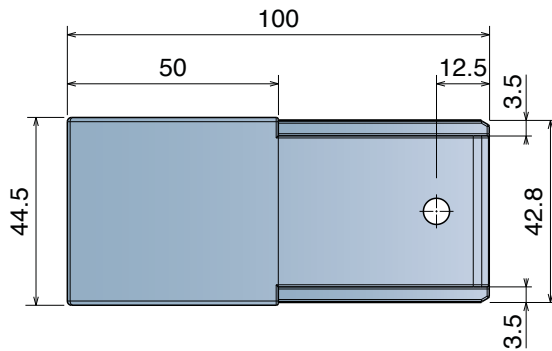
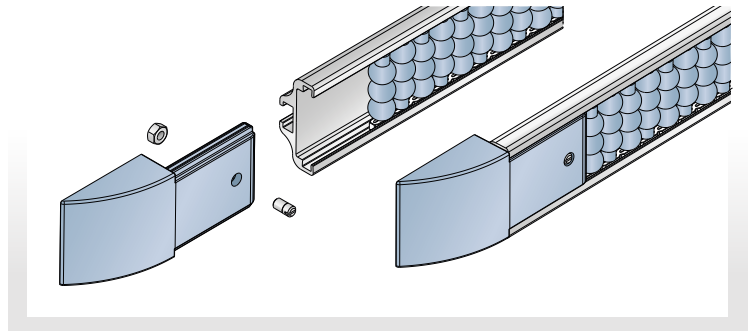
Dadi: ottone nichelato/Nuts: nickel plated brass/Mutter: Messing vernickelt

364 Puntale Shoe / Einlaufschuh

New

Delivery: **Easy** **Standard** Part. 364 it is designed to allow the possibility to shorten it, if necessary.

Part	Article-Nr.	Grub screw
364	36411	M6

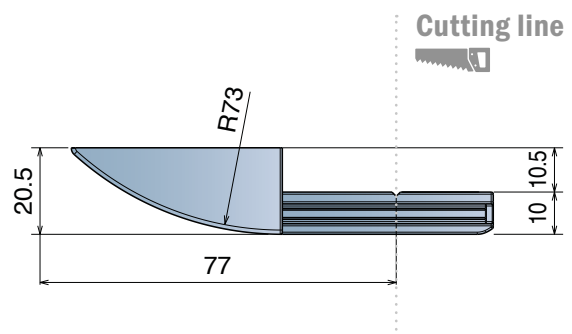
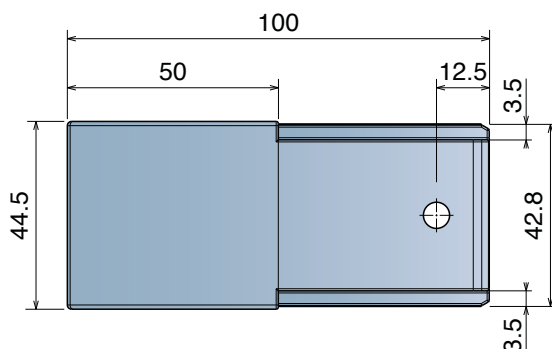
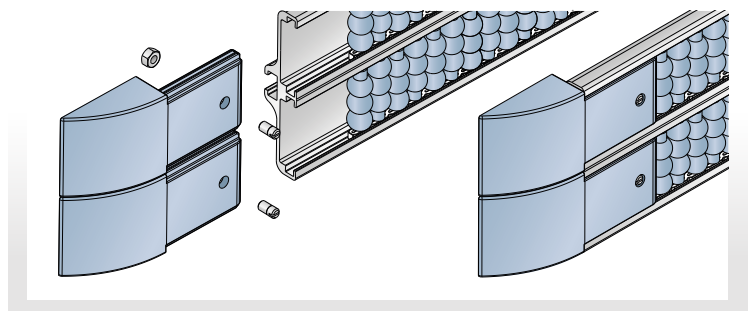


365 Puntale Shoe / Einlaufschuh

New

Delivery: **Easy** **Standard** Part. 365 it is designed to allow the possibility to shorten it, if necessary.

Part	Article-Nr.	Grub screw
365	36511	M6



Materiale / Material / Materialien:

Rulli: Resina acetica / Rollers: Acetal Resin / Röllchen: Azetal
 Grano: Acciaio inox/Grub Screws: Stainless steel/Gewindestift: Edelstahl
 Dadi: ottone nichelato/Nuts: nickel plated brass/Mutter: Messing vernickelt

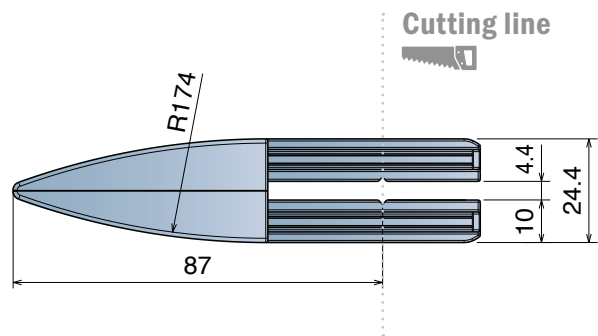
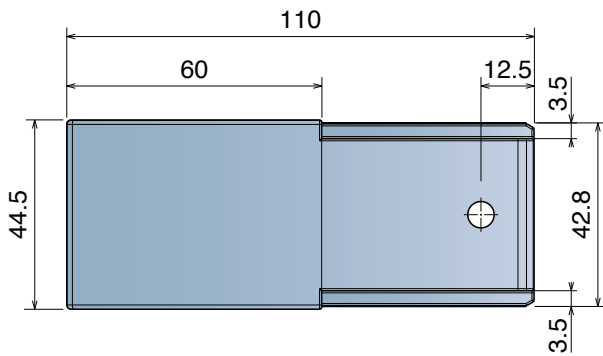
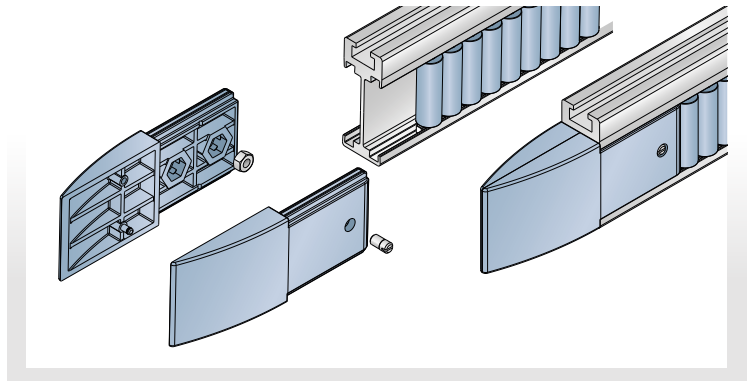
366 Puntale Shoe / Einlaufschuh

New

Delivery: **Easy** **Standard** Part. 366 it is designed to allow the possibility to shorten it, if necessary.

Part	Article-Nr.	Grub screw
------	-------------	------------

366	36611	M6
-----	-------	----



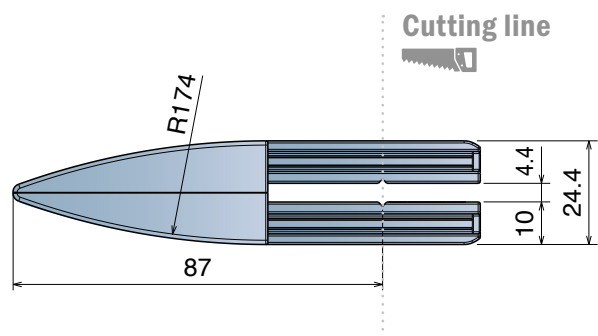
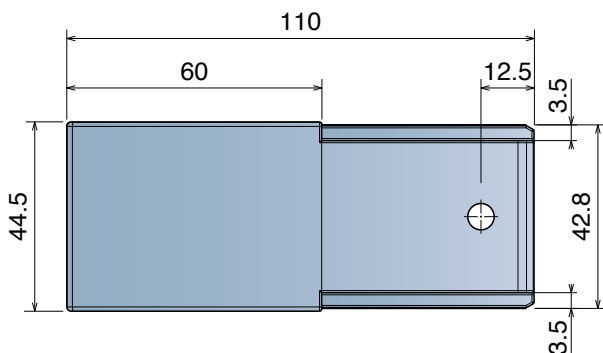
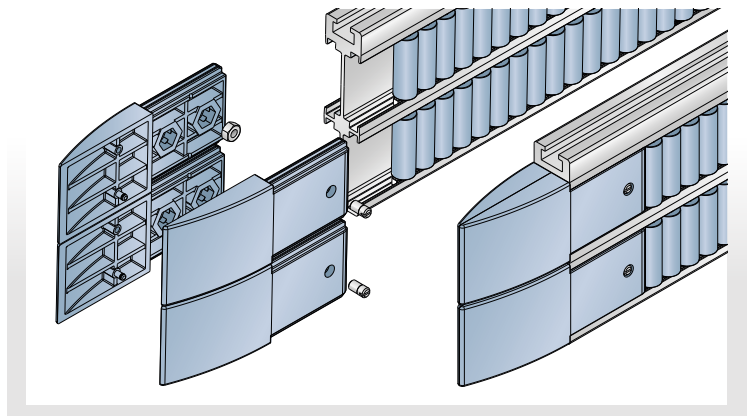
367 Puntale Shoe / Einlaufschuh

New

Delivery: **Easy** **Standard** Part. 367 it is designed to allow the possibility to shorten it, if necessary.

Part	Article-Nr.	Grub screw
------	-------------	------------

367	36711	M6
-----	-------	----



366-367

Componenti / Conveyor components / Komponenten

• **Materiale / Material / Materialien:** Puntale: PE HD / Shoe: PE HD / Corpus: PE HD
 Perni: acciaio inox / Pins: SS / Bolzen: Edelstahl
 Rulli: resina acetalica o gomma SEBS / Rollers: Acetal Resin or SEBS rubber
 Röllchen: Azetal oder SEBS gummi

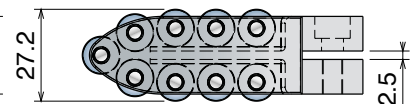
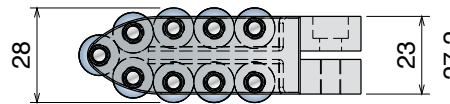
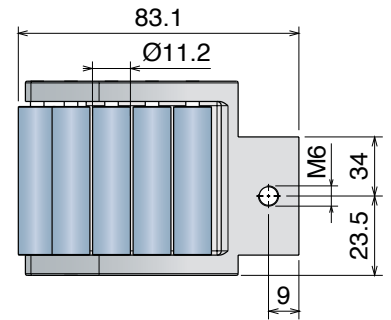
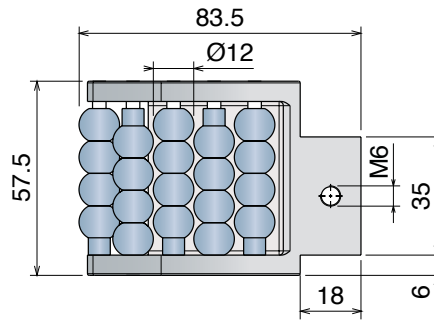
366 Puntale centrale a rulli Central roller shoe / Einlaufschuh mitting

Patented



Type B1
Soft roller
SEBS rubber

Part	Article-Nr.	Type
366	36621	A
366	36622	B
366	36623	B1



Type A

Type B

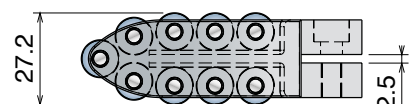
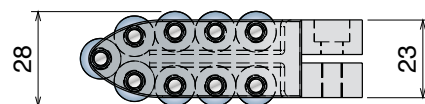
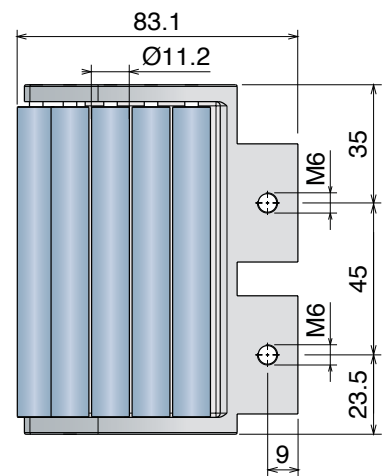
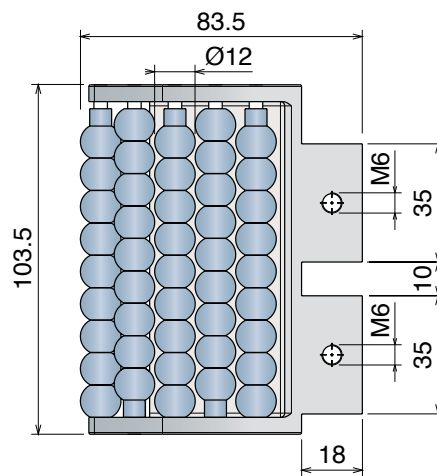
367 Puntale centrale a rulli Central roller shoe / Einlaufschuh mitting

Patented



Type B1
Soft roller
SEBS rubber

Part	Article-Nr.	Type
367	36721	A
367	36722	B
367	36723	B1



Type A

Type B

Materiale / Material / Materialien: Puntale: PE HD/Shoe: PE HD/Corpus: PE HD
 Perni: acciaio inox/Pins: SS/Bolzen: Edelstahl
 Rulli: resina acetatica o gomma SEBS/Rollers: Acetal Resin or SEBS rubber
 Röllchen: Azetal oder SEBS gummi

364-365

Componenti / Conveyor components / Komponenten

364 Puntale laterale a rulli Side roller shoe / Einlaufschuh seitlich

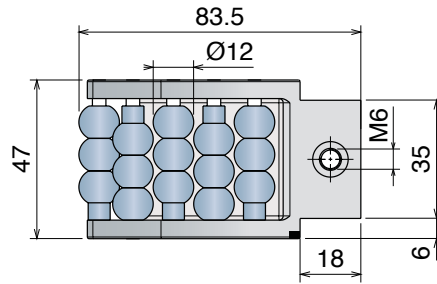
Patented



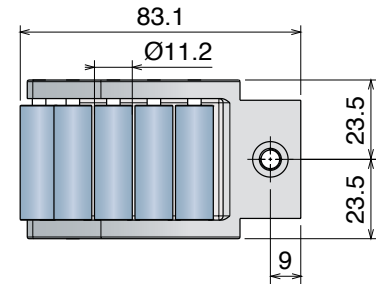
Part	Article-Nr.	Type
364	36421	A
364	36422	B
364	36423	B1



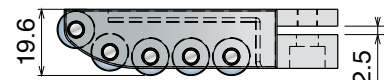
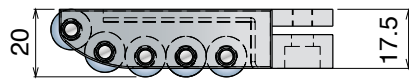
Type B1
Soft roller
SEBS rubber



Type A



Type B



365 Puntale laterale a rulli Side roller shoe / Einlaufschuh seitlich

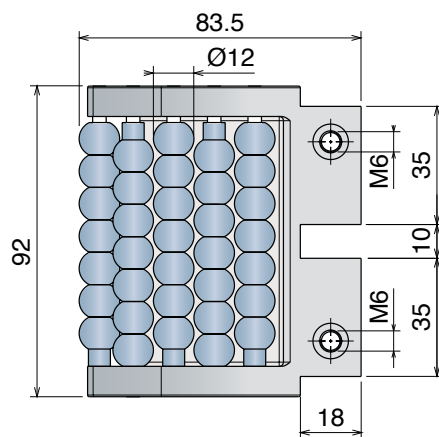
Patented



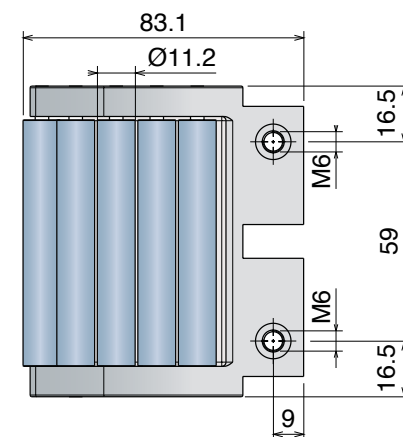
Part	Article-Nr.	Type
365	36521	A
365	36522	B
365	36523	B1



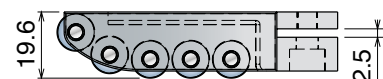
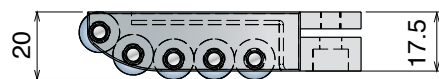
Type B1
Soft roller
SEBS rubber



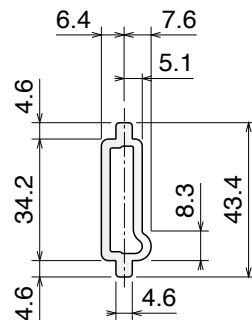
Type A



Type B



395 Guida laterale in PE PE side guides / Seitenführung in PE

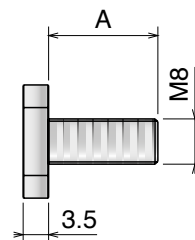
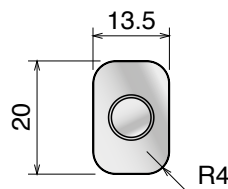


Part	Article-Nr.	L
395	39501	3 m



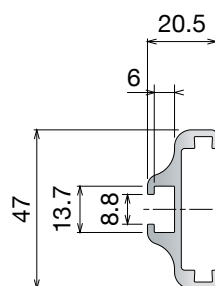
362 Vite a "T" T-bolt / T-Schraube

Delivery: **Easy** Standard

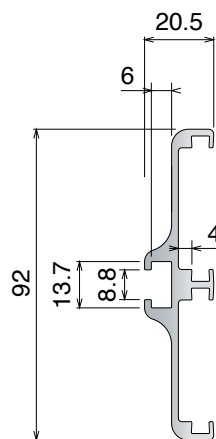


Part	Article-Nr.	A
362	36201	16
362	36202	19
362	36203	25

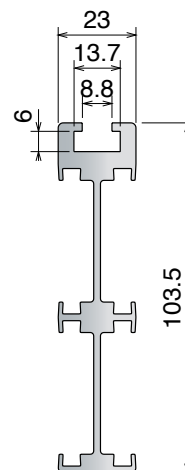
358 Guide in alluminio Aluminum guides / Aluminiumführung



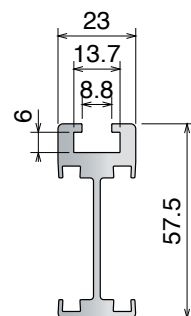
35800



35900



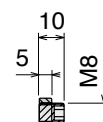
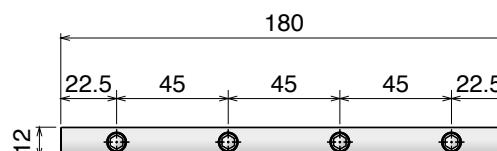
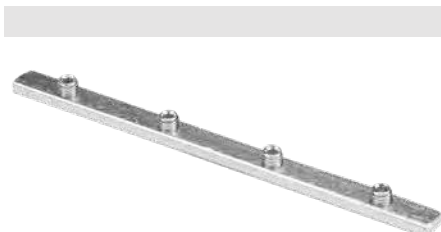
36100



36000

Part	Article-Nr.	Version	Min. radius	L
358	35800	Single-lateral	250	3 m
359	35900	Double-lateral	500	3 m
360	36000	Single-central	500	3 m
361	36100	Double-central	750	3 m

333 Elemento di giunzione Connecting elements / Verbindungselement



Part	Article-Nr.
333	33301

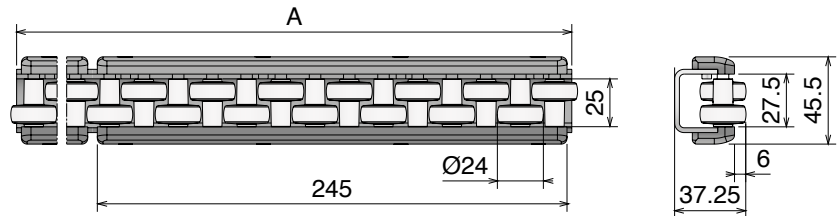
Materiale / Material / Materialien: Rulli: resina acetatica/Rollers: Acetal Resin Röllchen: Azetal
 Modulo di connesione: PA/Connection module: PA/Module: PA
 Profilo metallico e viti: Acciaio inox/Metal Profile and screws: Stainless steel/U-Schiene und Schrauben: Edelstahl

353 Guide a rulli di accumulo Accumulation roller guides / Stauröllchenführung

Delivery: **Easy** Standard



Part	Article-Nr.	A	Pin	Pin Ø
353	35301	1 m	PA	6 mm
353	35302	2 m	PA	6 mm
353	35303	3 m	PA	6 mm

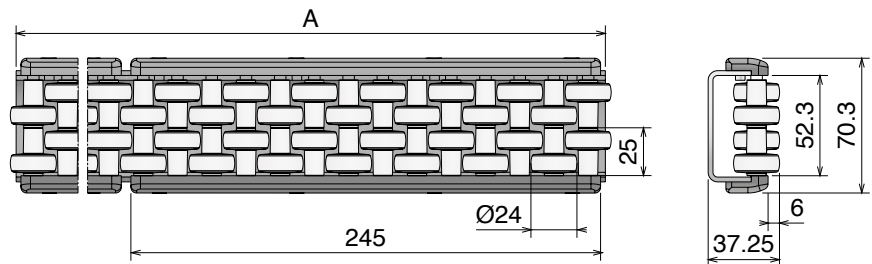


354 Guide a rulli di accumulo Accumulation roller guides / Stauröllchenführung

Delivery: **Easy** Standard



Part	Article-Nr.	A	Pin	Pin Ø
354	35401	1 m	PA	6 mm
354	35402	2 m	PA	6 mm
354	35403	3 m	PA	6 mm

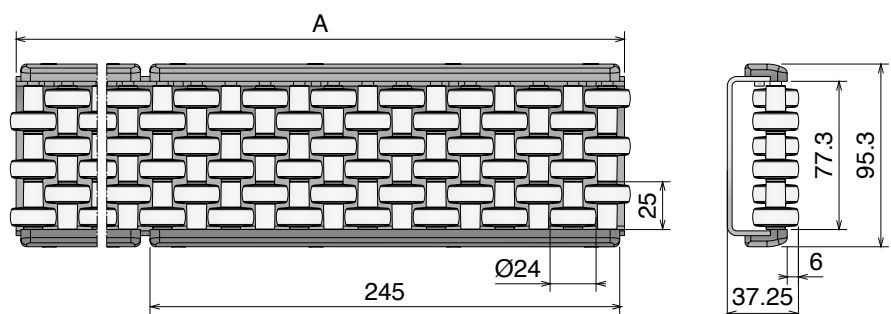


355 Guide a rulli di accumulo Accumulation roller guides / Stauröllchenführung

Delivery: **Easy** Standard



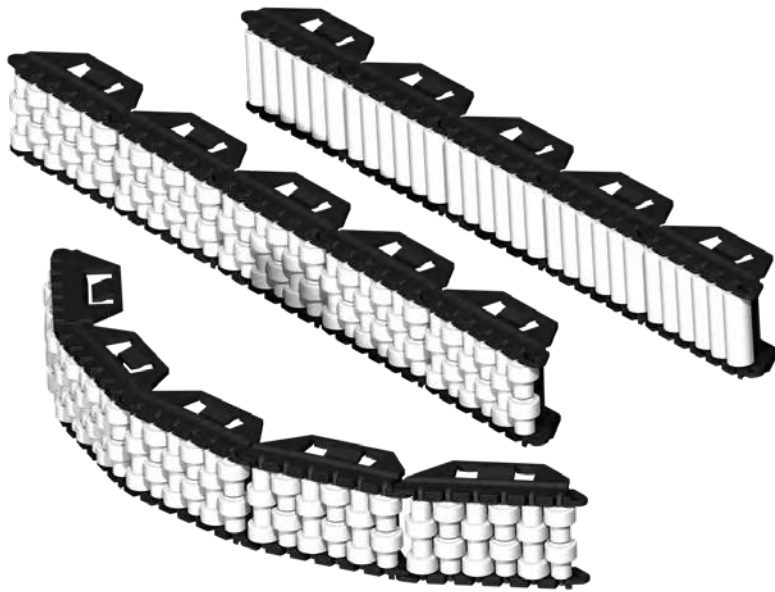
Part	Article-Nr.	A	Pin	Pin Ø
355	35501	1 m	SS	6 mm
355	35502	2 m	SS	6 mm
355	35503	3 m	SS	6 mm



363 Guida a rulli flessibile Flexible roller guide / Flexible Röllchenführung

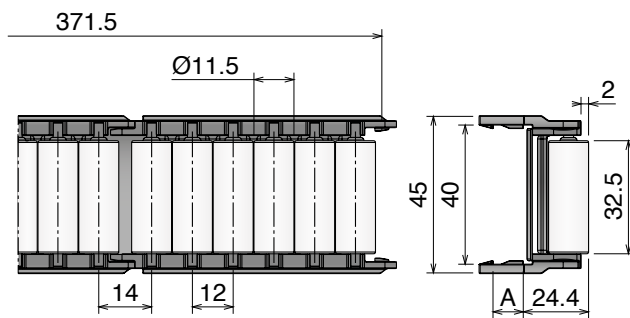
Delivery: **Easy** **Standard**

Part	Article-Nr.	Type	A
363	36301	A	8
363	36302	B	8
363	36303	A	10
363	36304	B	10

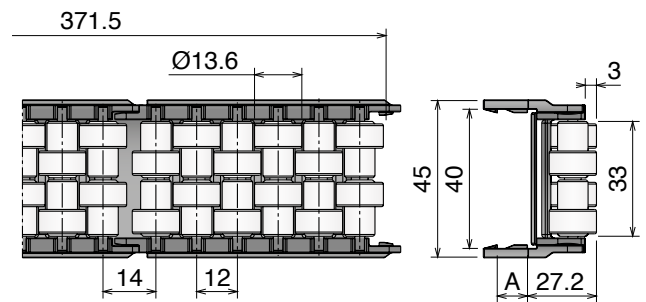


Advantages:

- ▶ Noise reduction
- ▶ Improved product stability

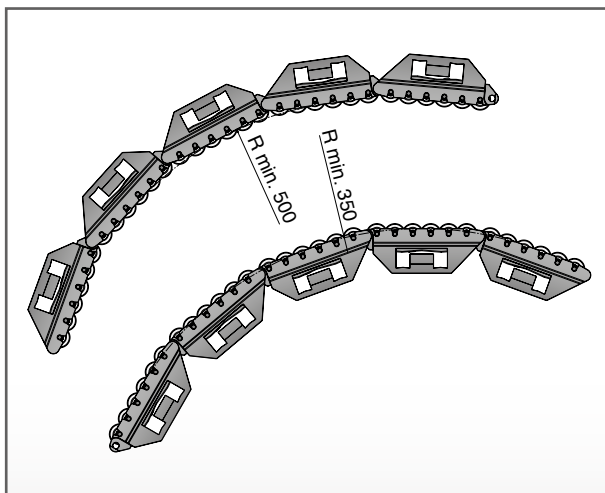


Type A



Type B

Curvature radius



Fixing with plate and metal profile

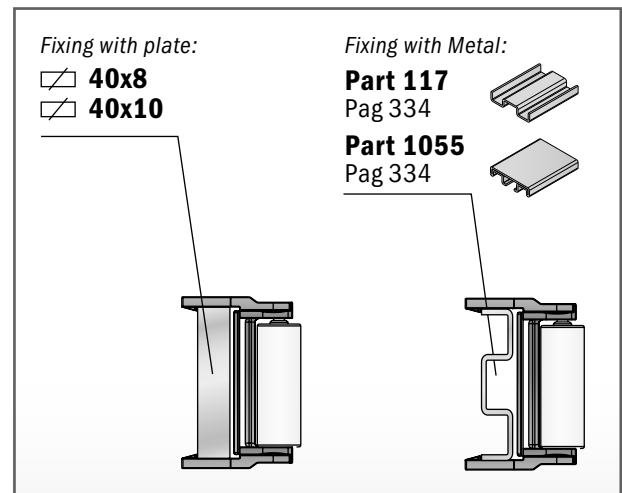
Fixing with plate:

- ▣ 40x8
- ▣ 40x10

Fixing with Metal:

Part 117
Pag 334

Part 1055
Pag 334

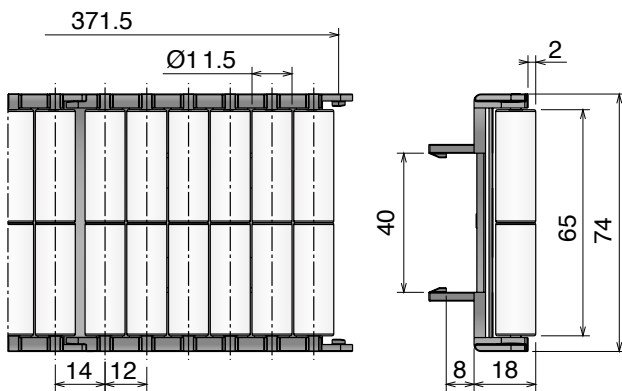
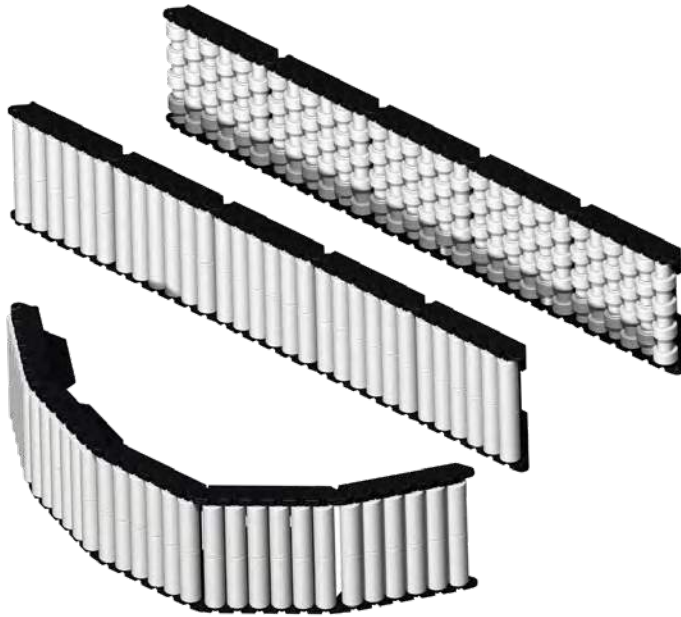


396 Guida a rulli flessibile

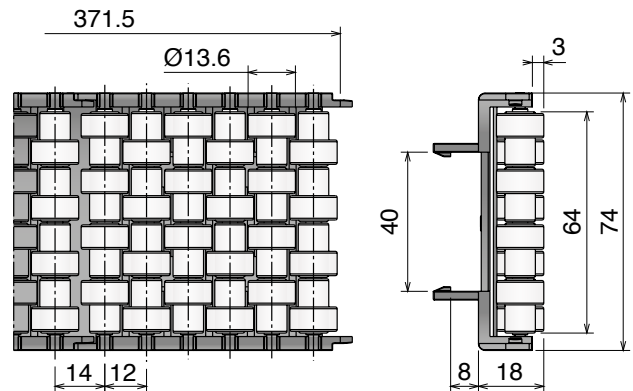
Flexible roller guide / Flexible Röllchenführung

Delivery: **Easy** Standard

Part	Article-Nr.	Type
396	39601	A
396	39602	B

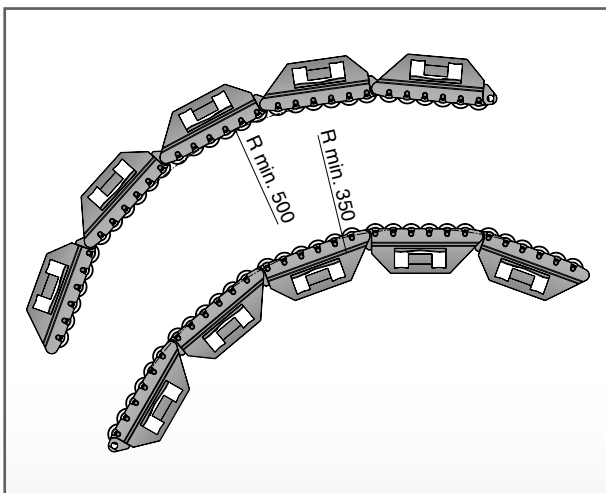


Type A

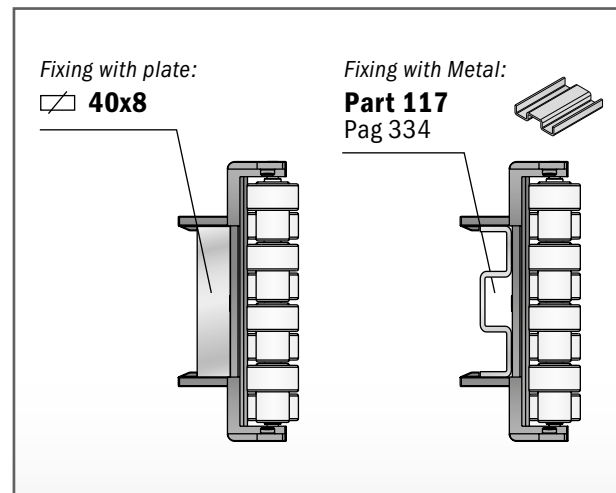


Type B

Curvature radius



Fixing with plate and metal profile



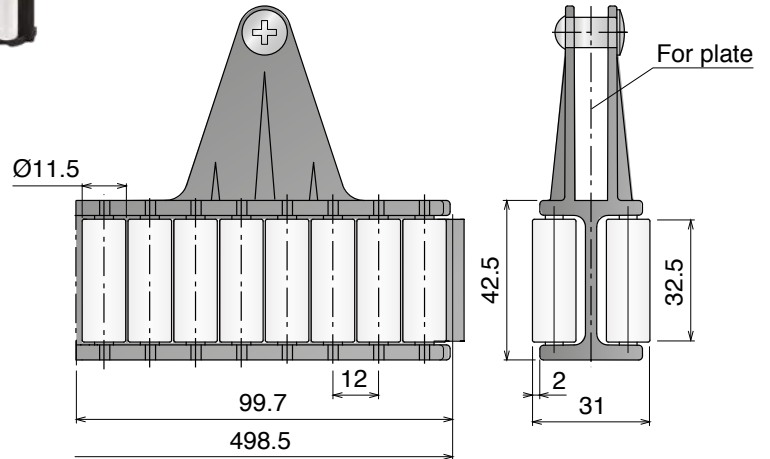
363 Guida a rulli flessibile (centrale) Flexible roller guide (Centre) / Flexible Röllchenführung (Zentral)

Delivery: **Easy** **Standard**

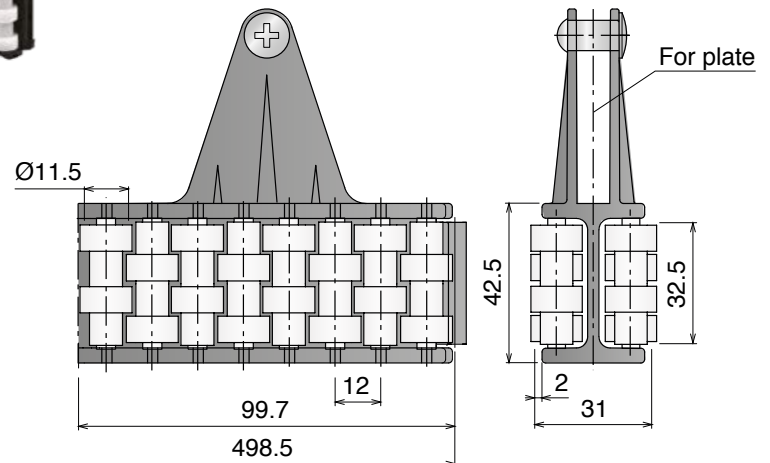
Part	Article-Nr.	Type	for plate
363	36313	A	40x8
363	36311	A	40x10
363	36314	B	40x8
363	36312	B	40x10



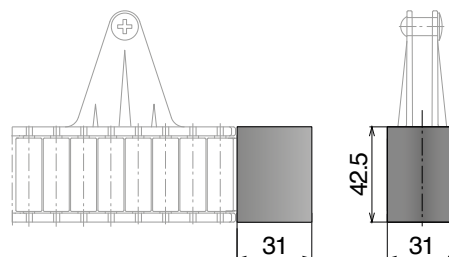
Type A



Type B



Puntale / Shoe / Einlaufschuh



Part	Article-Nr.	For Type
363	36399	A & B

Use with
Flexible roller guide
(Central version)
Part 363 Pag 396

Materiale / Material / Materialien:

Base: Alluminio / Base: Aluminum / Grundplatte: Aluminium

Parti di adattamento: Acciaio inox / adapter parts: stainless steel
 Adapterplatte: Edelstahl

199/299

Blocco di montaggio catena
Chain mounting block / Kettenmontageblock

Delivery: **Easy** Standard



Part Article-Nr.

199 19980

For steel chain:

812/815 (GT)

881 M (GT)

and plastic chain:

820 (GT)

831

Part Article-Nr.

199 19981

For steel chain:

8157 (GT)

8857 M (GT/LBP)

and plastic chain:

8257 (GT/LBP)

8857 (GT/LBP)

882 Bevel

Part Article-Nr.

199 19982

For steel chain:

812/815 (GT)

881 M (GT)

and plastic chain:

828 (GT/LBP)

880 M

880 Bevel

879 M

879 Bevel

Part Article-Nr.

299 29978

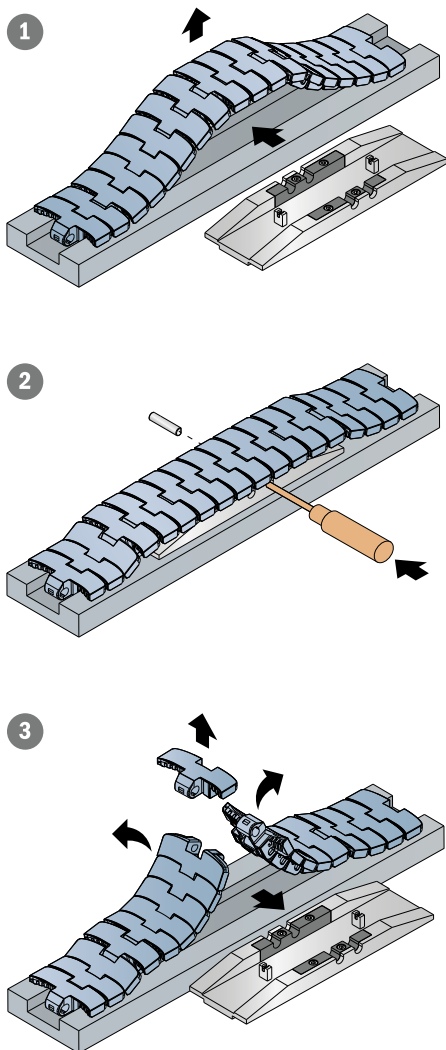
For sideflexing

belt/ chain:

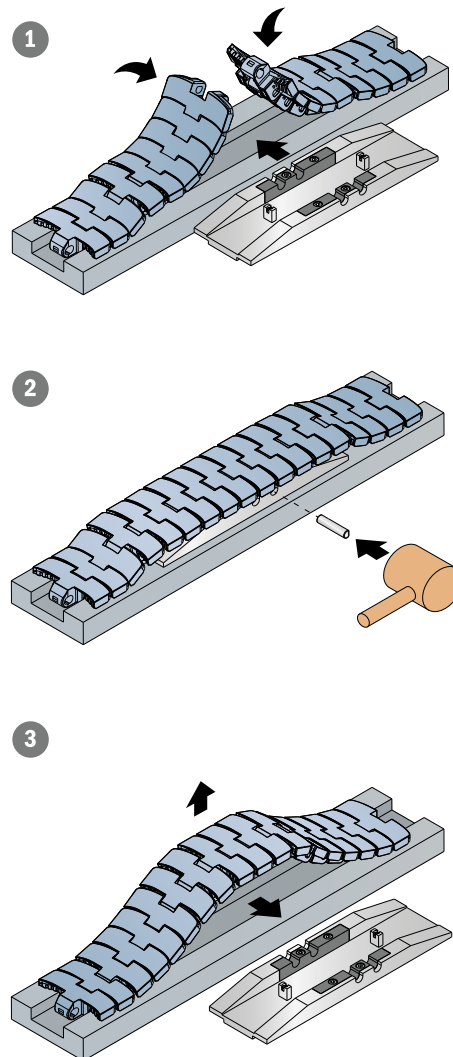
260 M (FT/FG)

261 M (FT)

Disassembling mode:



Assembling mode:

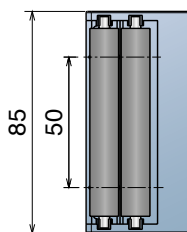
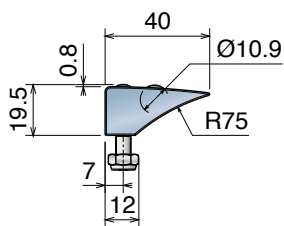


368 Moduli di trasferimento L=85 mm Transfer modules L=85 mm / Überschubmodul L=85 mm

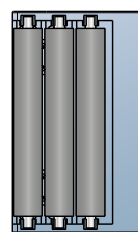
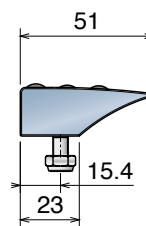
Delivery: **Easy** **Standard**



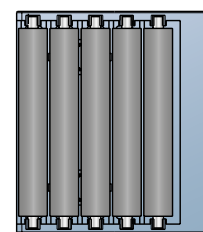
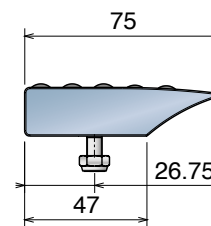
Smart Roll
 with mini
 bearing
 in stainless
 steel



Type A



Type B



Type C

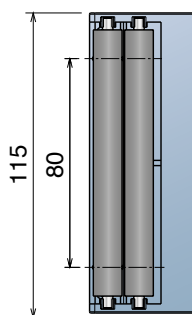
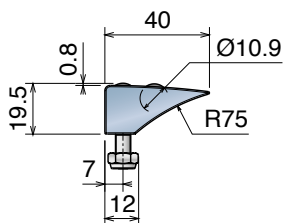
Part	Article-Nr.	Type	Roller material
368	36801	A	Acetal resin
368	36802	B	Acetal resin
368	36803	C	Acetal resin
368	36801SS	A	Stainless steel
368	36802SS	B	Stainless steel
368	36803SS	C	Stainless steel

369 Moduli di trasferimento L=115 mm Transfer modules L=115 mm / Überschubmodul L=115 mm

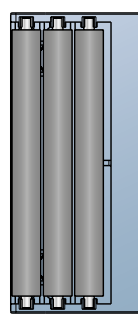
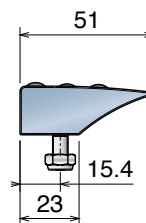
Delivery: **Easy** **Standard**



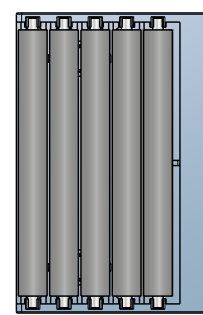
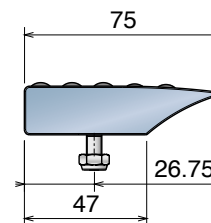
Smart Roll
 with mini
 bearing
 in stainless
 steel



Type A



Type B

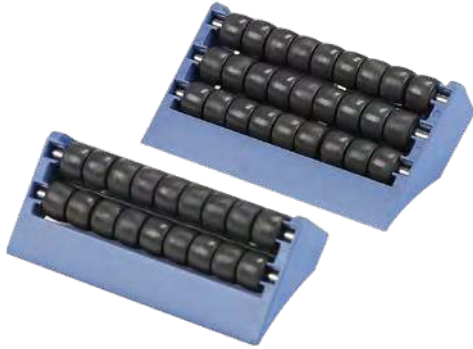


Type C

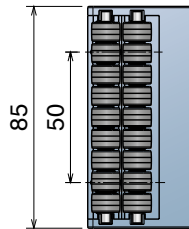
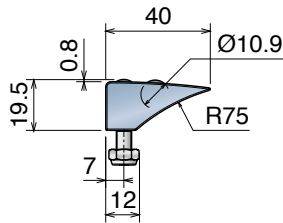
Part	Article-Nr.	Type	Roller material
369	36901	A	Acetal resin
369	36902	B	Acetal resin
369	36903	C	Acetal resin
369	36901SS	A	Stainless steel
369	36902SS	B	Stainless steel
369	36903SS	C	Stainless steel

370 Moduli di trasferimento L=85 mm Transfer modules L=85 mm / Überschubmodul L=85 mm

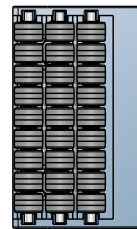
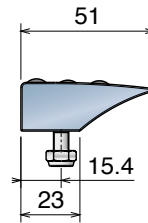
Delivery: **Easy** **Standard**



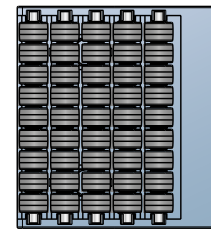
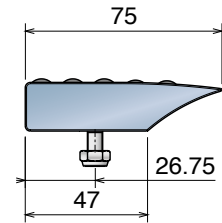
Part	Article-Nr.	Type
370	37001	A
370	37002	B
370	37003	C



Type A



Type B



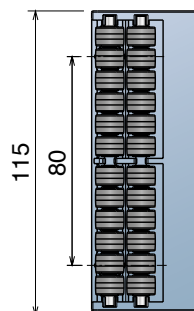
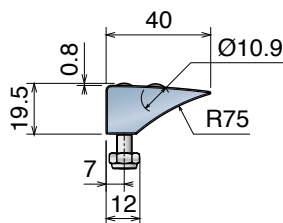
Type C

371 Moduli di trasferimento L=115 mm Transfer modules L=115 mm / Überschubmodul L=115 mm

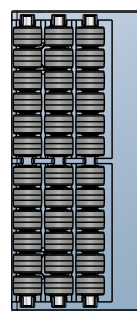
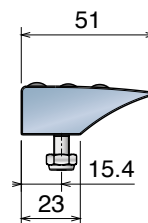
Delivery: **Easy** **Standard**



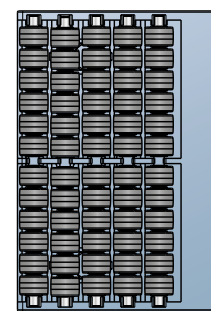
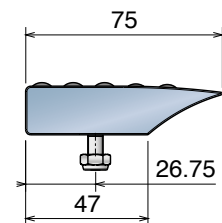
Part	Article-Nr.	Type
371	37101	A
371	37102	B
371	37103	C



Type A



Type B



Type C

Materiale / Material / Materialien:

Part. 342 Modulo: resina acetalica/Moduls: acetal resin/Module: azetal

Perni, viti e dadi: Acciaio inox/Pins, Screws and nuts: stainless steel/Bolzen, Schraube und Mutter: edelstahl

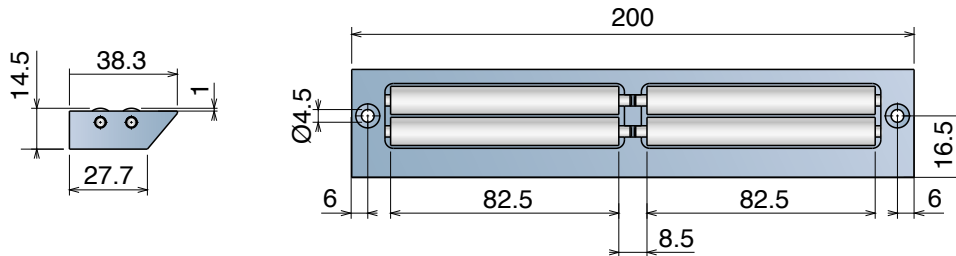
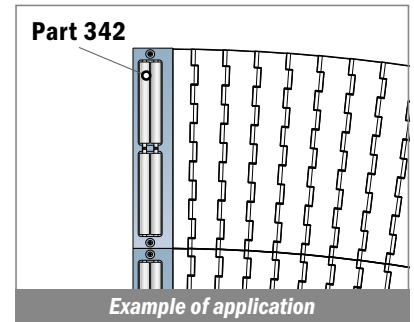
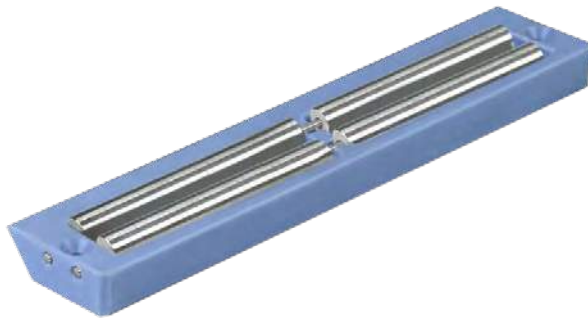
Rulli: acciaio inox/Rollers: stainless steel/Rolle: edelstahl

342 Moduli di trasferimento L=200 mm Transfer modules L=200 mm / Überschubmodul L=200 mm

New

Part Article-Nr.

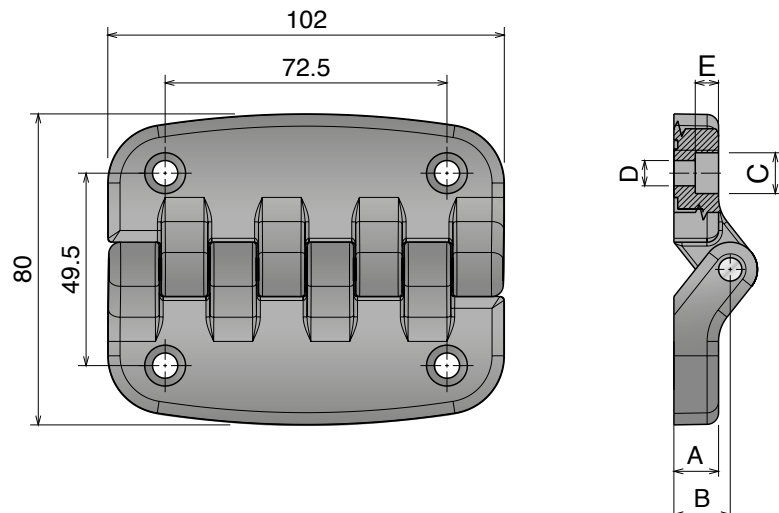
342 34201



372 Cerniera Hinge / Scharnier

Delivery: **Easy** Standard

Part	Article-Nr.	A	B	C	D	E
372	37201	11	14	10,5	6,5	6
372	37202	11	14	13,5	8,5	8
372	37203	18	21	13,5	8,5	8



Materiale / Material / Materialien:

Part. 383-384 Cerniera: Poliammide o Acciaio inox/Hinges: Polyamide or Stainless steel/Scharnier: Polyamid oder Edelstahl

Part. 372-373 Cerniera: Poliammide/Hinges: Polyamide/Scharnier: Polyamid

Perni: Acciaio inox/Pins: Stainless steel/Bolzen: Edelstahl

373-383-384

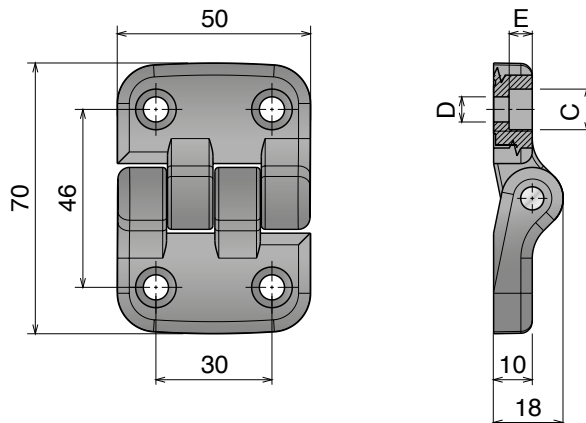
Componenti / Conveyor components / Komponenten

373 Cerniera Hinge / Scharnier

Delivery: **Easy** Standard



Part	Article-Nr.	C	D	E
373	37301	10,5	6,5	6
373	37302	13,5	8,5	4

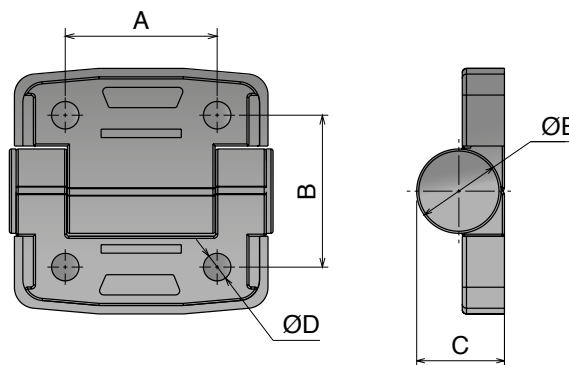


383 Cerniera Hinge / Scharnier

Delivery: **Easy** Standard



Part	Article-Nr.	A	B	C	ØD	ØE	F	G
383	38301	24	25	14,5	4,5	14	44,6	41
383	38302	36	36	20,8	6,5	20	62,5	58

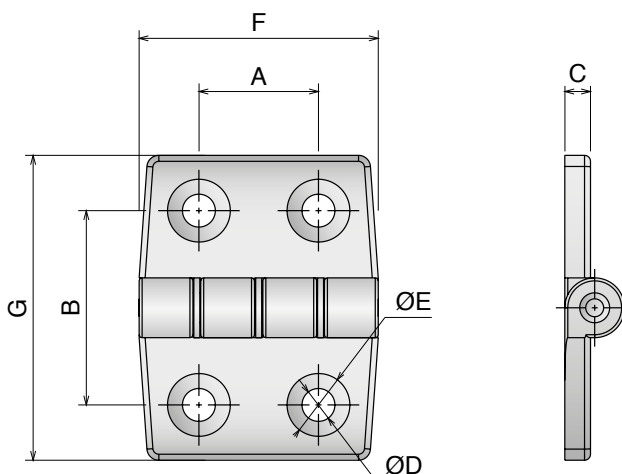


384 Cerniera Acciaio Inox SS Hinge / Edelstahl Scharnier

Delivery: **Easy** Standard



Part	Article-Nr.	A	B	C	ØD	ØE	F	G
384	38401	20	32,5	4,3	5,5	10,5	40	51
384	38402	30	41	5	6,5	12,5	60	71

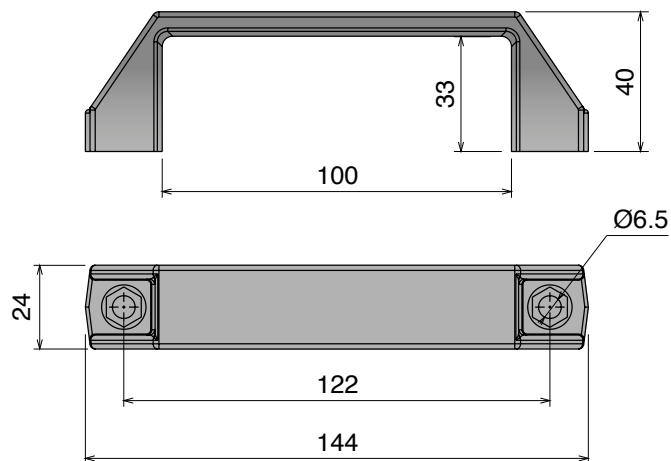


385 Maniglia ad impugnatura morbida Soft touch handle / Handgriffe "Soft Touch"

Delivery: **Easy** **Standard**

Part Article-Nr.

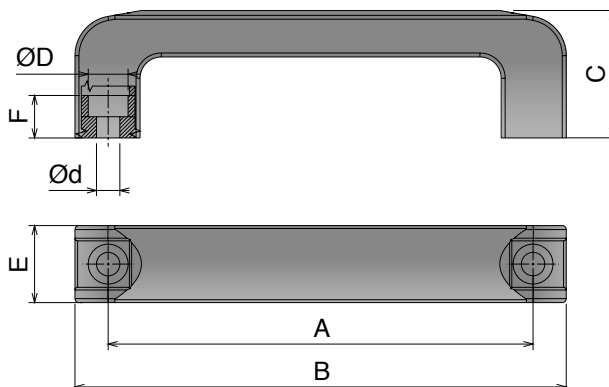
385 **38501**



386 Maniglia Handle / Handgriff

Delivery: **Easy** **Standard**

Part	Article-Nr.	A	B	C	Ød	ØD	E	F
386	38601	120	140	40	8,8	13	24,5	16
386	38602	160	185	48	8,8	15	29	16



Materiale / Material / Materialien:

Part. 397: Acciaio inox / Stainless steel / Edelstahl

Part. 3003: Morsetti: Poliammide / Handels: Polyamide / Griff: Polyamid

Insero femmina: Ottone / Female insert: Brass / Einsatz: Messing

397-3003

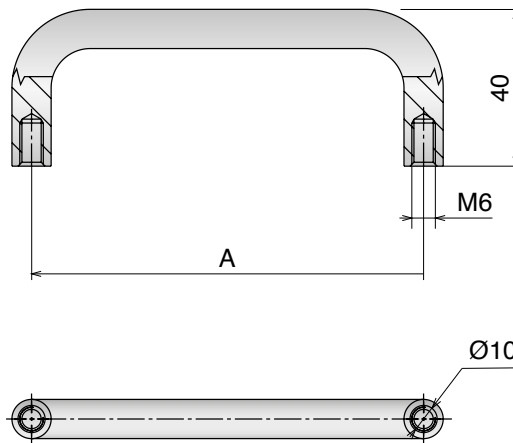
Componenti / Conveyor components / Komponenten

397 Maniglia acciaio inox Stainless Steel handle / Handgriffe Edelstahl

Stainless Steel | AISI 304

Delivery: **Easy** Standard

Part	Article-Nr.	A
397	39701	95
397	39702	100
397	39703	110

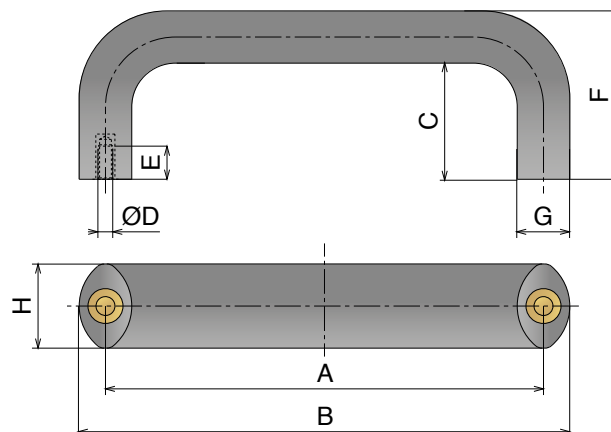


3003 Maniglia piena con boccola Solid handle with threaded insert / Handgriff mit Innengewinde

New

Delivery: **Easy** Standard

Part	Article-Nr.	A	B	C	ØD	E	F	G	H
3003	300301	120	134	34	M6	9	50	16	25
3003	300302	120	134	34	M8	14	50	16	25



Materiale / Material / Materialien:

Morsetti: Poliammide/Handels: Polyamide/Griff: Polyamid

Insero femmina: ottone nichelato/Female insert: Nickel plated brass /Einsatz: Messing vernickelt

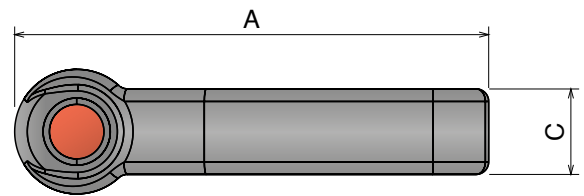
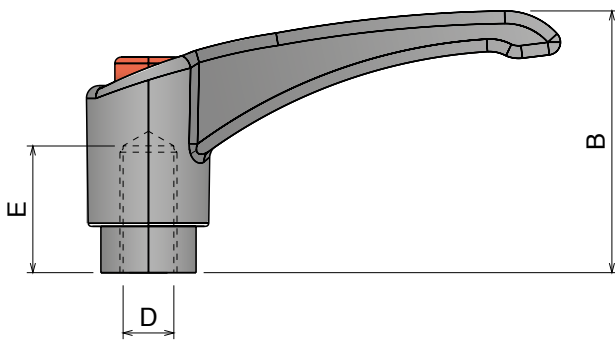
Insero maschio: Acciaio inox/Male insert: Stainless steel /Aussengewinde: Edelstahl

374 Maniglia a ripresa Adjustable handle / Ratschenhebel

Range Extension



Part	Article-Nr.	A	B	C	D	E
374	37403	51	33	9	M5	12
374	37404	51	33	9	M6	12
374	37405	63	40	12	M6	18
374	37406	63	40	12	M8	18
374	37407	63	40	12	M10	18
374	37401	76	43	14	M8	18
374	37409	76	43	14	M10	18
374	37402	93	52	17	M10	22
374	37408	93	52	17	M12	22



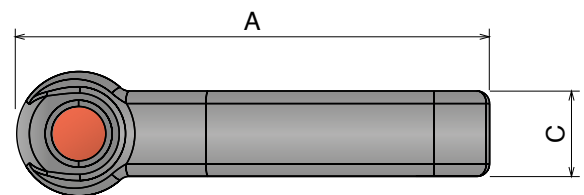
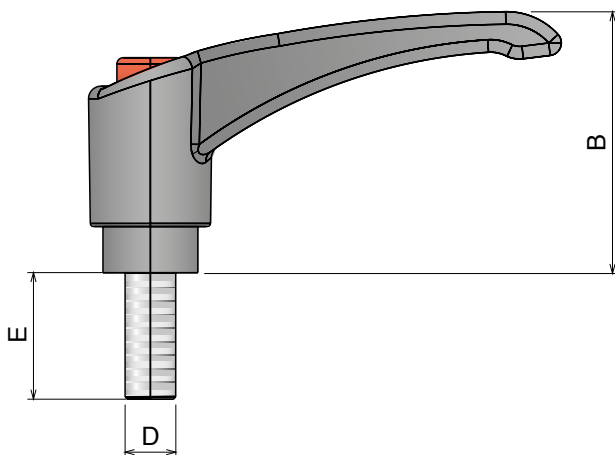
375 Maniglia a ripresa Adjustable handle / Ratschenhebel

Range Extension

Delivery: **Easy** Standard



Part	Article-Nr.	A	B	C	D	E
375	37508	51	33	9	M5	15
375	37509	51	33	9	M6	15
375	37510	63	40	12	M8	15
375	37511	63	40	12	M8	20
375	37501	76	43	14	M8	20
375	37512	76	43	14	M8	25
375	37502	76	43	14	M10	25
375	37513	93	52	17	M10	20
375	37514	93	52	17	M10	25



Materiale / Material / Materialien:

Morsetti: Poliammide/Clamps: Polyamide/Klemme: Polyamid

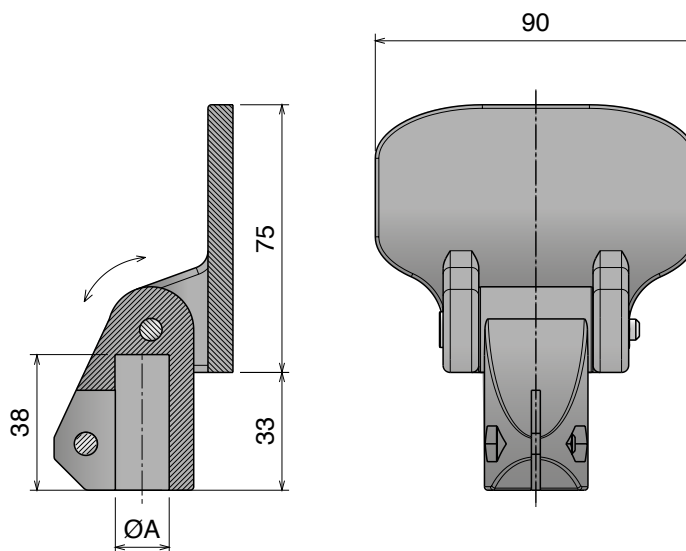
Viti e dadi: Acciaio inox/Screws and nuts: Stainless steel/Schraube und Mutter: Edelstahl

377-378

Componenti / Conveyor components / Komponenten

377 Morsetto standard per fotocellula o riflettore
Clamp for photocells or reflector / Klemme für Fotozelle oder Reflektor

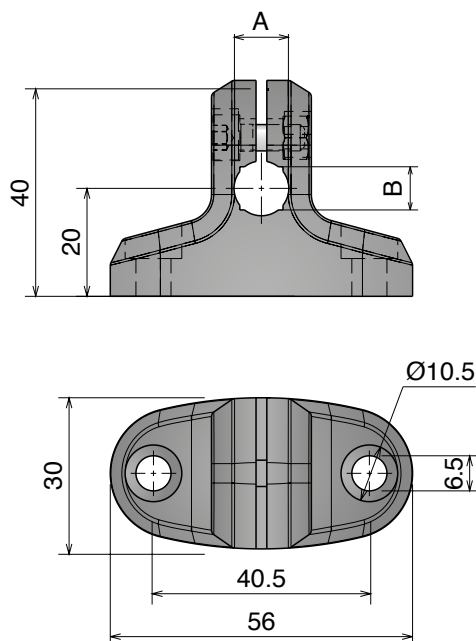
Part	Article-Nr.	ØA
377	37701	14
377	37702	16
377	37703	20



378 Morsetti "T"
T-clamp / T-Klemme

Delivery: **Easy** Standard

Part	Article-Nr.	A	B
378	37801	10	8
378	37802	12	10
378	37803	14	12



Materiale / Material / Materialien:

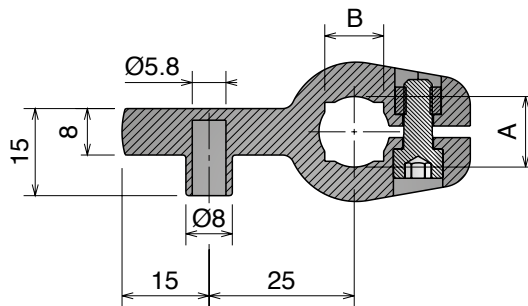
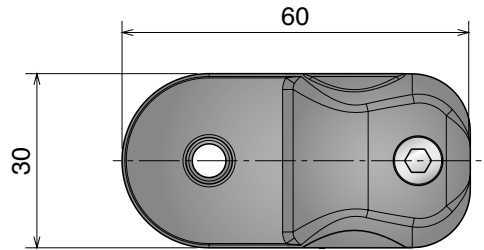
Morsetti: Poliammide/Clamps: Polyamide/Klemme: Polyamid

Viti e dadi: Acciaio inox/Screws and nuts: Stainless steel/Schraube und Mutter: Edelstahl

379 Morsetto per riflettore Clamp for reflector / Reflektorklemme



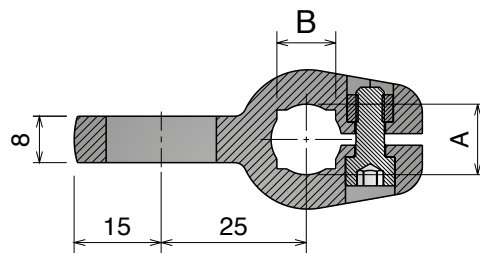
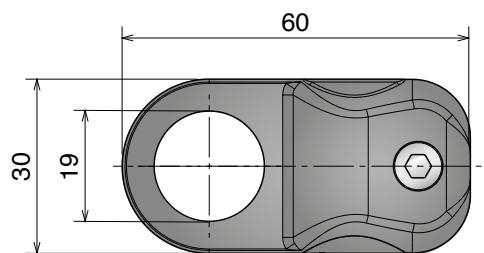
Part	Article-Nr.	A	B
379	37901	10	8
379	37902	12	10
379	37903	14	12



380 Morsetto per fotocellule o sensori Clamp for photocells or sensors / Klemme für Lichtschranke oder Sensoren

Delivery: **Easy** Standard

Part	Article-Nr.	A	B
380	38001	10	8
380	38002	12	10
380	38003	14	12



Materiale / Material / Materialien:

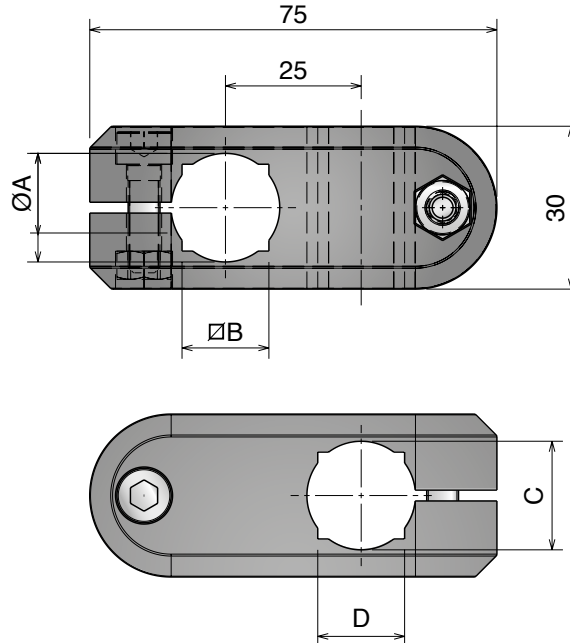
Morsetti: Poliammide/Clamps: Polyamide/Klemme: Polyamid

Viti e dadi: Acciaio inox/Screws and nuts: Stainless steel/Schraube und Mutter: Edelstahl

381 Morsetto a croce Cross clamp / Kreuzklemmee

Delivery: **Easy** Standard

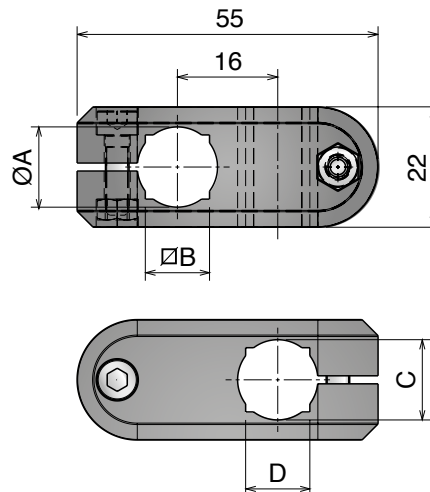
Part	Article-Nr.	ØA	ØB	C	D
381	38101	14	12	14	12
381	38102	16	14	16	14
381	38103	18	-	18	-
381	38104	20	16	20	16



382 Morsetto a croce Cross clamp / Kreuzklemmee

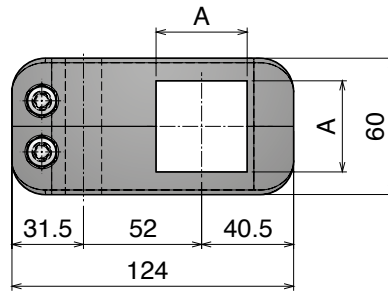
Delivery: **Easy** Standard

Part	Article-Nr.	ØA	ØB	C	D
382	38201	10	8	10	8
382	38202	12	10	12	10
382	38203	14	12	14	12

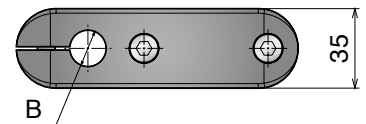


⚙️ **Materiale / Material / Materialien:** Corpo: PA/Body: PA/Korpus: PA
 Volantino: PA+ ottone nichelato/Knob: PA+ nickel plated brass/Stengriff: PA+ messing vernickelt
 Tirante e rondella: Acciaio inox/Eyebolt and washer: Stainless steel/
 Augenschraube und Unterlegs: Edelstahl

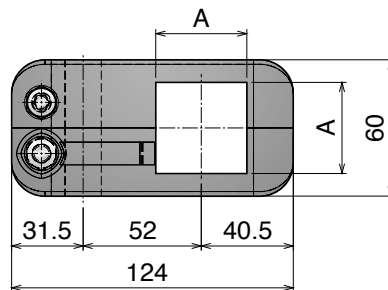
376 Morsetto a croce "extra" Extra Cross Block / Kreuzklemme "Extra"



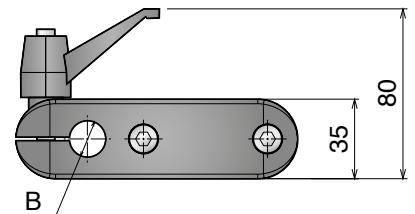
Part	Article-Nr.	A	B
376	37601	30x30	16
376	37602	40x40	16
376	37603	40x40	20



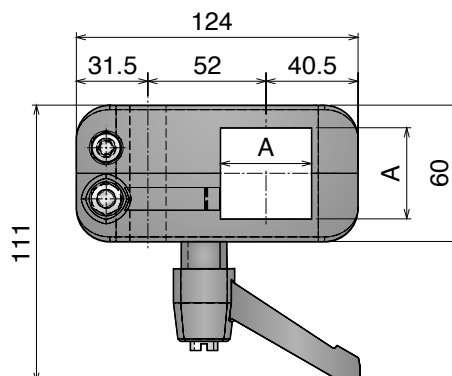
Morsetto a croce "extra" con maniglia Extra Cross Block with handle / Kreuzklemme "Extra" m. Ratschenhebel



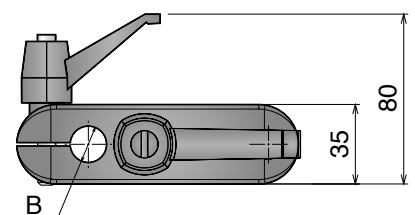
Part	Article-Nr.	A	B
376	37611	30x30	16
376	37612	40x40	16
376	37613	40x40	20



Morsetto a croce "extra" con maniglie Extra Cross Block with handles / Kreuzklemme "Extra" m. Ratschenhebel



Part	Article-Nr.	A	B
376	37621	30x30	16
376	37622	40x40	16
376	37623	40x40	20

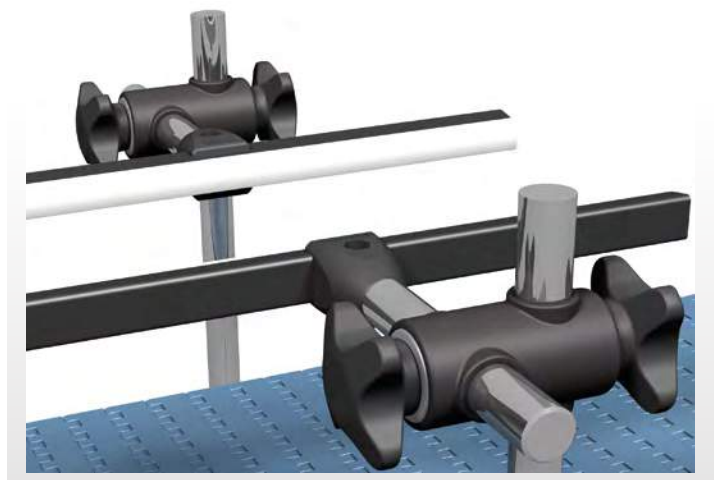
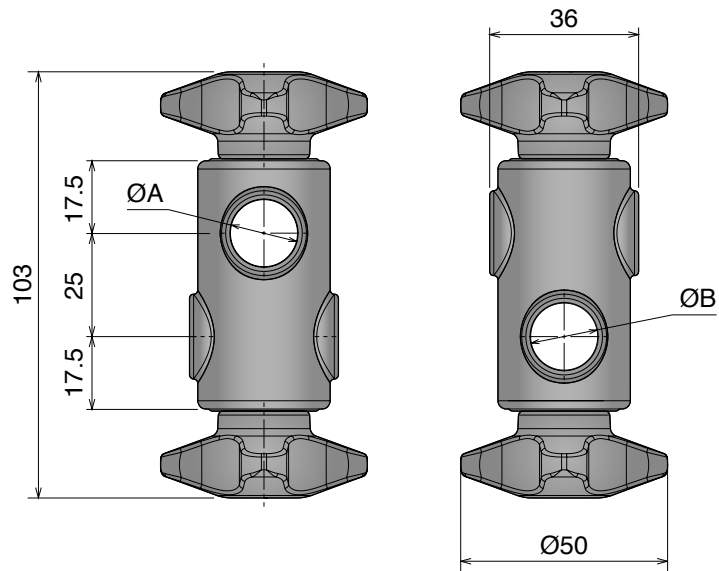


Materiale / Material / Materialien: Corpo: PA/Body: PA/Korpus: PA
 Volantino: PA+ ottone nichelato/Knob: PA+ nickel plated brass/Stengriff: PA+ messing vernickelt
 Tirante e rondella: Acciaio inox/Eyebolt and washer: Stainless steel/
 Augenschraube und Unterlegs: Edelstahl

391 Morsetto a croce Cross clamp / Kreuzklemmee

Delivery: **Easy** **Standard**

Part	Article-Nr.	ØA	ØB
391	39101	12	12
391	39103	14	14
391	39102	16	16
391	39104	12	16

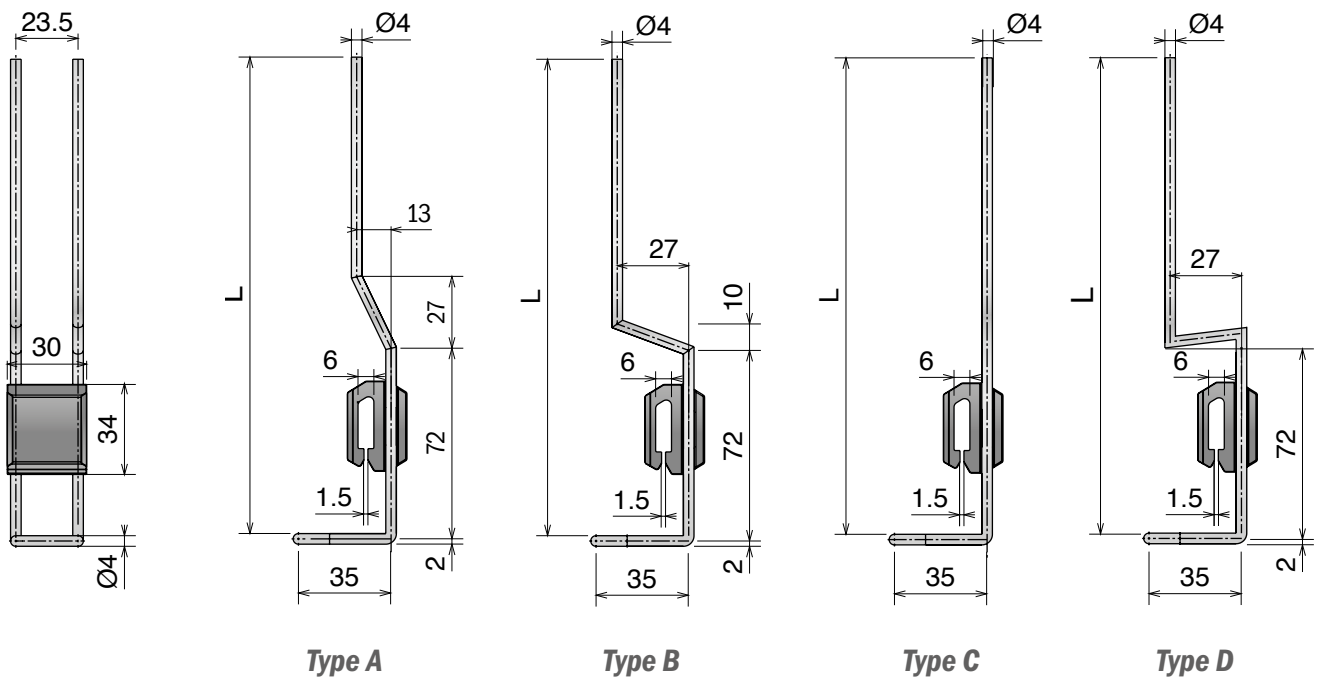


387 Sostegno per Sgocciolatoio Drip Tray Supports / Tropfblechhalter

Delivery: **Easy** **Standard** Max load capacity 20 Kg



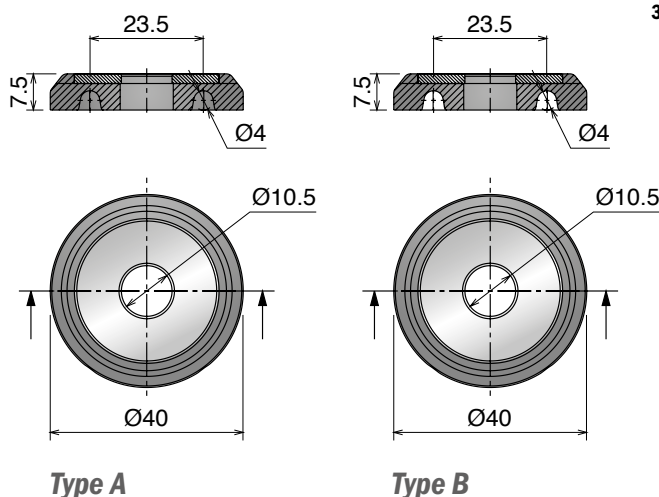
Part	Article-Nr.	L	Type
387	38701	180	A
387	38702	250	A
387	38703	180	B
387	38704	250	B
387	38705	280	B
387	38706	246	C
387	38707	396	C
387	38708	180	D
387	38709	250	D



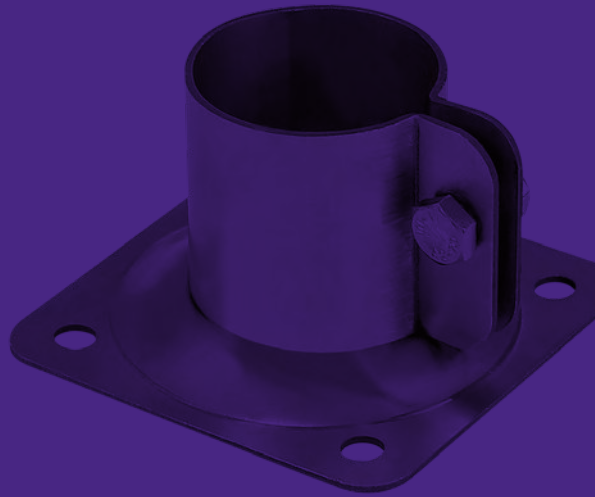
388 Rondella di fissaggio Fixing washer / Fixierscheibe

Delivery: **Easy** **Standard**

Part	Article-Nr.	Type
388	38801	A
388	38802	B



413



401  Pag 414	402  Pag 414	403  Pag 415	404  Pag 415	407  Pag 416	408  Pag 416
409  Pag 417	499  Pag 417	410  Pag 418	411  Pag 418	426  Pag 419	432  Pag 419
427  Pag 420	425  Pag 420	413  Pag 421	417  Pag 421	414  Pag 422	419  Pag 423
420  Pag 423	415  Pag 424	416  Pag 425	428  Pag 426	429  Pag 426	430  Pag 426
418  Pag 427	421  Pag 428	422  Pag 428	423  Pag 428	424  Pag 428	

Conveyor support components

401-402

Componenti di supporto / Conveyor support components / Stützelemente

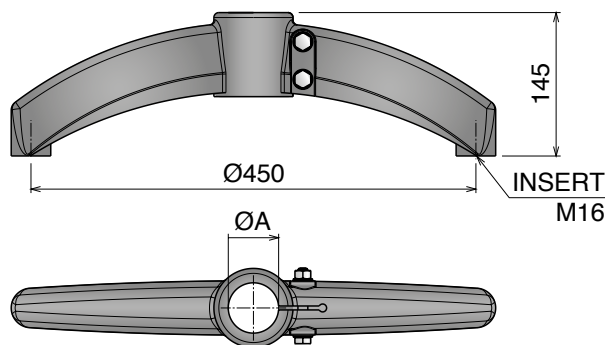
Materiale / Material / Materialien:

Basi: Poliammide/Base: Polyamide/Halter: Polyamid

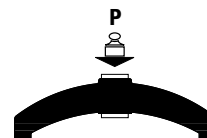
Viti e rondelle: Acciaio inox/Screws and washers: Stainless steel/Schrauben und Scheibe: Edelstahl
Inserti e dadi: ottone nichelato/Inserts nuts: nickel plated brass/Mutter: Messing vernickelt

401 Base a due braccia Bipod / Zweibeinhalter

Delivery: **Easy** **Standard** Screw included



Part	Article-Nr.	ØA
401	40101	48,3
401	40105	50,9
401	40102	60,3



Tube sliding load resistance

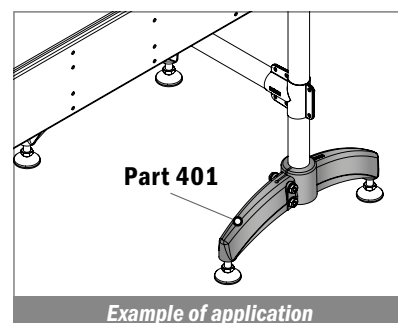
$P = 8000 \text{ N}$

Max applicable load

$P = 9600 \text{ N}$

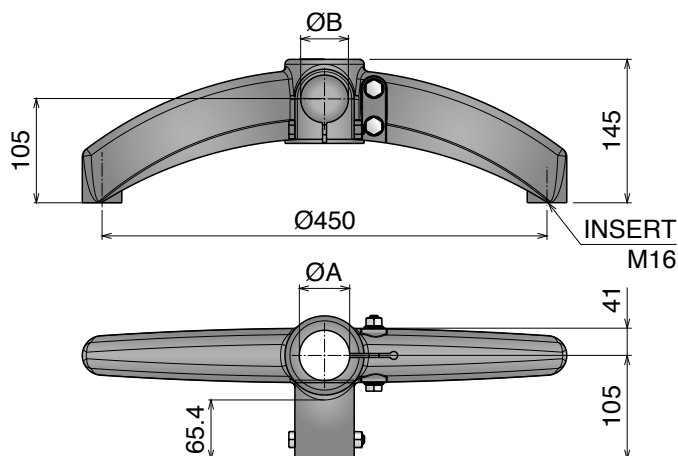
Bolts tightening torque

25 N.m

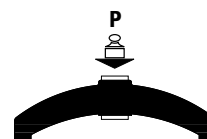


402 Base a due braccia 180° con giunto Bipod 180° with connector / Zweibeinhalter 180° m. Verbinder

Delivery: **Easy** **Standard** Screw included



Part	Article-Nr.	ØA	ØB
402	40201	48,3	48,3
402	40205	50,9	48,3
402	40202	60,3	48,3
402	40203	48,3	42,4
402	40206	50,9	42,4
402	40204	60,3	42,4



Tube sliding load resistance

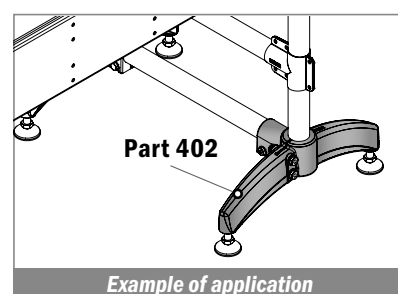
$P = 8000 \text{ N}$

Max applicable load

$P = 8000 \text{ N}$

Bolts tightening torque

25 N.m



Materiale / Material / Materialien:

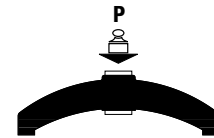
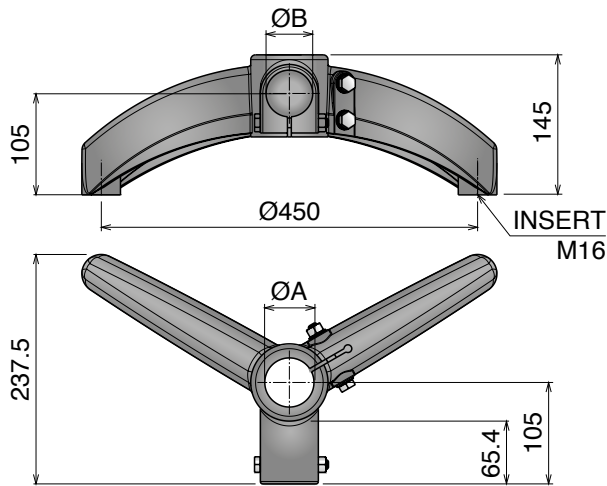
Basi: Poliammide/Base: Polyamide/Halter: Polyamid

Viti e rondelle: Acciaio inox/Screws and washers: Stainless steel/Schrauben und Scheibe: Edelstahl
 Inserti e dadi: ottone nichelato/Inserts nuts: nickel plated brass/Mutter: Messing vernickelt

403 Base a due braccia 120° con giunto
 Bipod 120° with connector / Zweibeinhalter 120° m. Verbinder

Delivery: **Easy** **Standard** Screw included

Part	Article-Nr.	ØA	ØB
403	40301	48,3	48,3
403	40305	50,9	48,3
403	40302	60,3	48,3
403	40303	48,3	42,4
403	40306	50,9	42,4
403	40304	60,3	42,4



Tube sliding load resistance

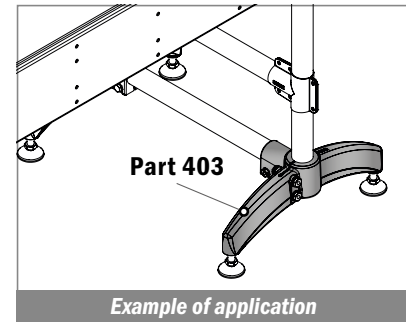
$P = 8000\text{ N}$

Max applicable load

$P = 8000\text{ N}$

Bolts tightening torque

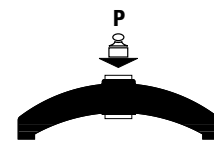
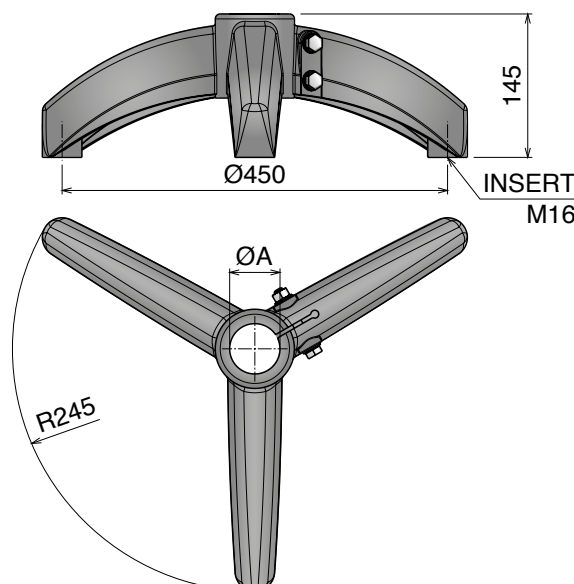
25 N.m



404 Base a tre braccia
 Tripod / Dreibeinhalter

Delivery: **Easy** **Standard** Screw included

Part	Article-Nr.	ØA
404	40401	48,3
404	40405	50,9
404	40402	60,3



Tube sliding load resistance

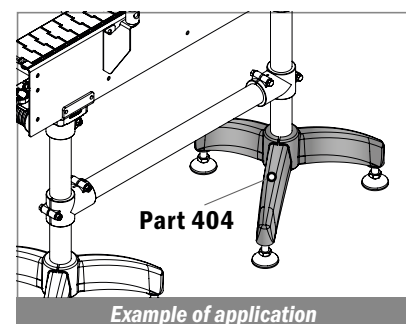
$P = 8000\text{ N}$

Max applicable load

$P = 10000\text{ N}$

Bolts tightening torque

25 N.m



407-408

Componenti di supporto / Conveyor support components / Stützelemente

Materiale / Material / Materialien:

Testata: Poliammide / Side bracket: Polyamide / Halter: Polyamid

Viti e rondelle: Acciaio inox / Screws and washers: Stainless steel / Schrauben und Scheibe: Edelstahl

Dadi: ottone nichelato / Nuts: nickel plated brass / Mutter: Messing vernickelt

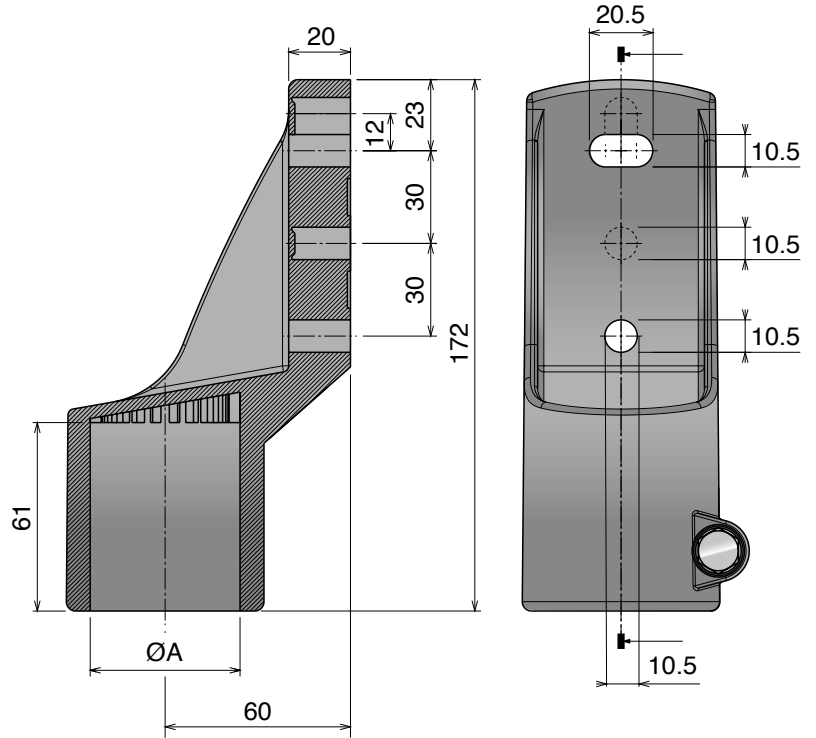
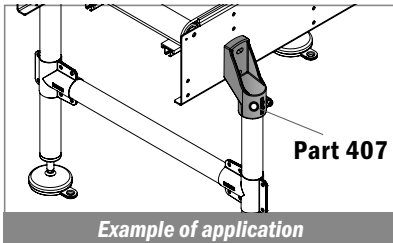
407

Testata laterale

Side mounting top bracket / seitlicher Stützkopf

Delivery: **Easy** **Standard** Max recommended tightening torque 2 kgm

Part	Article-Nr.	ØA
407	40701	48,3
407	40702	50,9



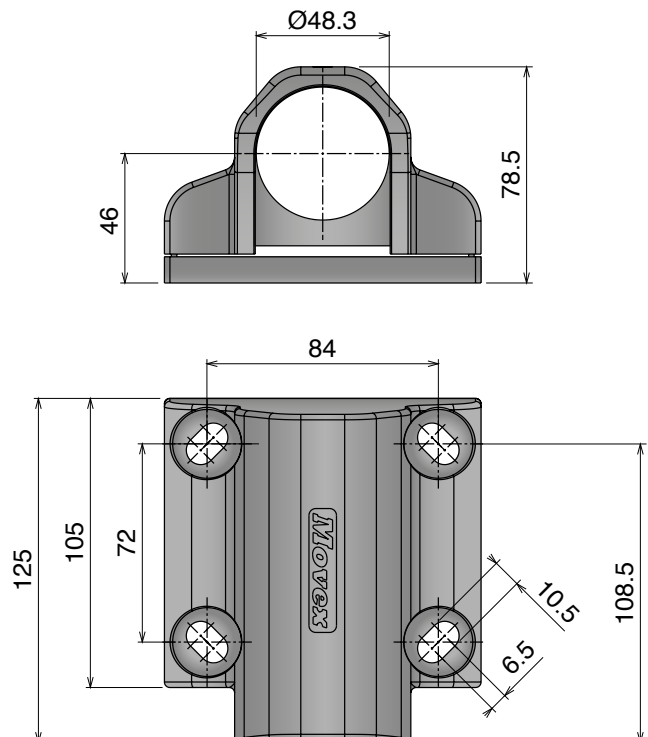
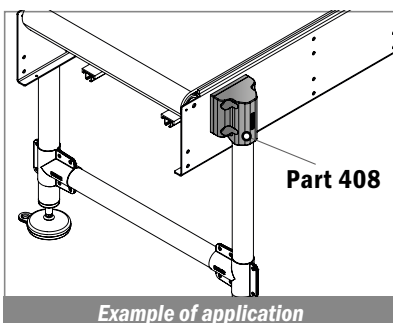
408

Testata laterale

Side mounting top bracket / seitlicher Stützkopf

Delivery: **Easy** **Standard** Max recommended tightening torque 2,5 kg/m | Screw not included

Part	Article-Nr.
408	40801



Materiale / Material / Materialien:

Testata: Acciaio inox / Support head: stainless steel / Halter: Edelstahl
 Viti e rondelle: Acciaio inox / Screws and washers: Stainless steel /
 Mutter: Edelstahl

409-499

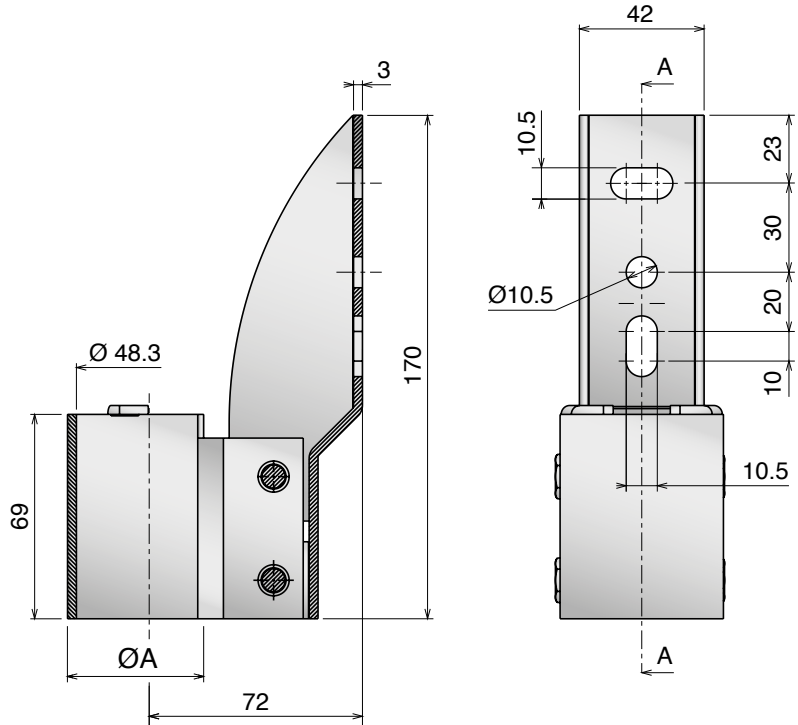
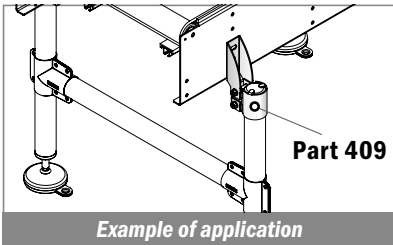
Componenti di supporto / Conveyor support components / Stützelemente

409 Testata laterale
 Side mounting top bracket / seitlicher Stützkopf

Stainless Steel | AISI 304

Delivery: **Easy** Standard Screw included

Part	Article-Nr.	ØA
409	40901	48,3

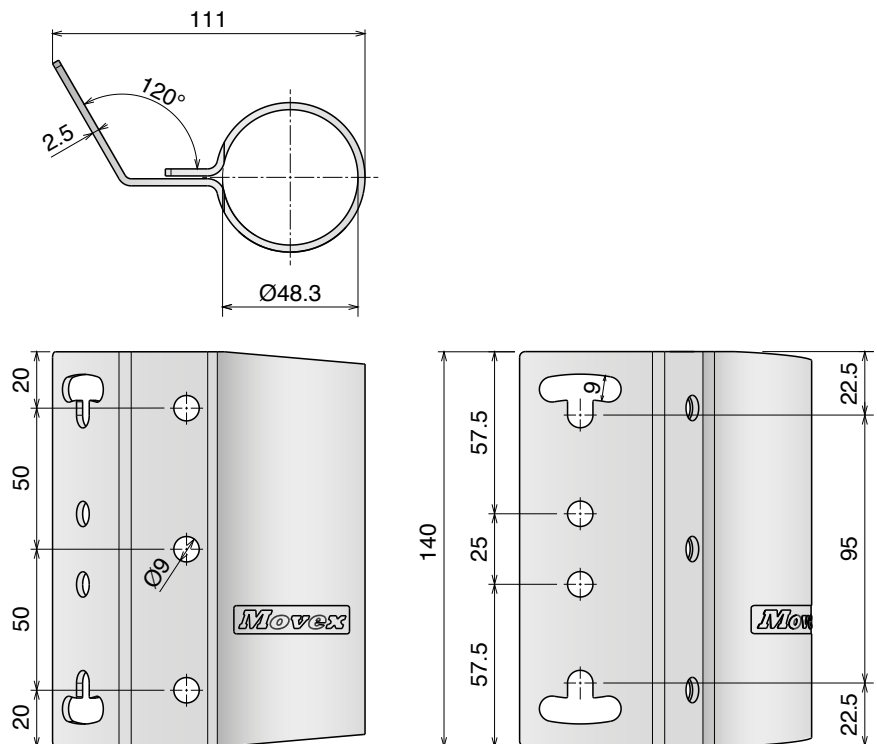
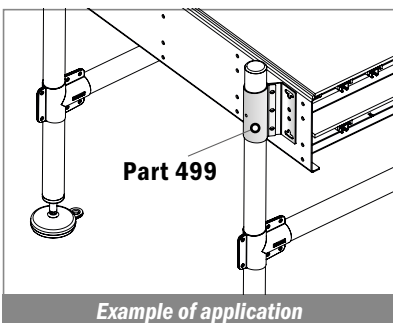


499 Testata laterale
 Side mounting top bracket / seitlicher Stützkopf

Stainless Steel | AISI 304

Delivery: **Easy** Standard Screw not included

Part	Article-Nr.	ØA
499	49995	48,3



410-411

Componenti di supporto / Conveyor support components / Stützelemente

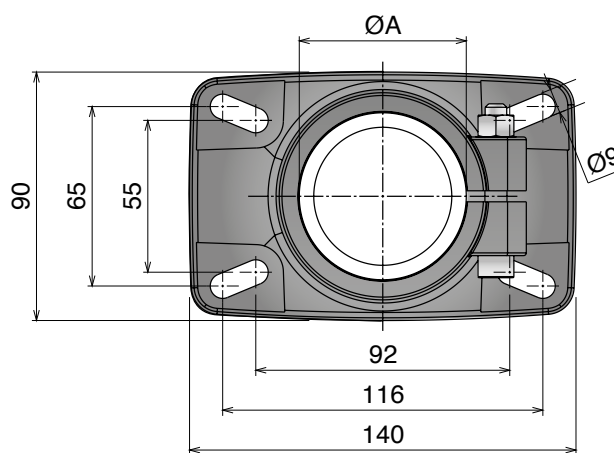
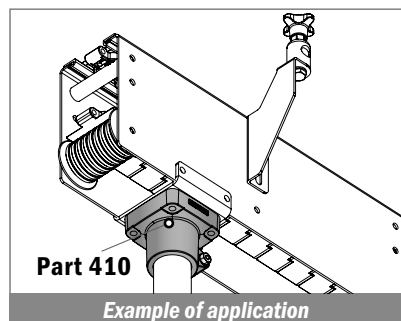
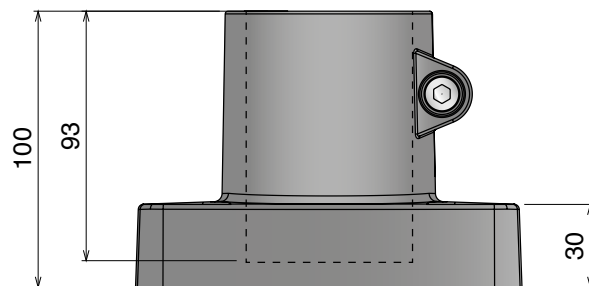
Materiale / Material / Materialien:

Testata: Poliammide / Support head: Polyamide / Halter: Polyamid
Viti e rondelle e dado: Acciaio inox / Screws, washers and nut: Stainless steel / Schrauben, Scheibe und Mutter: Edelstahl

410 Testata d'appoggio Support head / Stützkopf

Delivery: **Easy** **Standard** Max recommended tightening torque 3,5 kgm

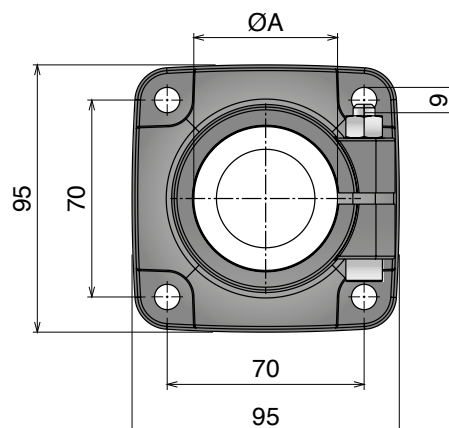
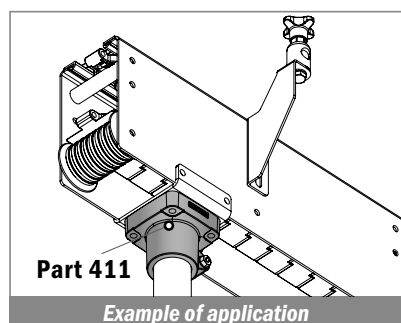
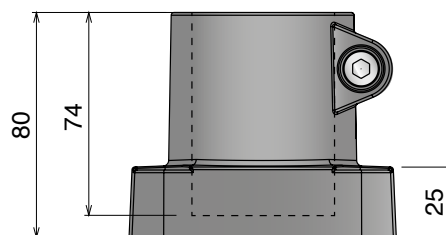
Part	Article-Nr.	ØA
410	41001	48,3
410	41002	60,3



411 Testata d'appoggio Support head / Stützkopf

Delivery: **Easy** **Standard** Max recommended tightening torque 1,5 kgm

Part	Article-Nr.	ØA
411	41101	48,3
411	41102	50,9



Material / Material / Materialien:
 Part 426: Acciaio inox / Stainless steel / Edelstahl
 Part 432: Poliammide / Polyamide / Polyamid

426-432

Componenti di supporto / Conveyor support components / Stützelemente

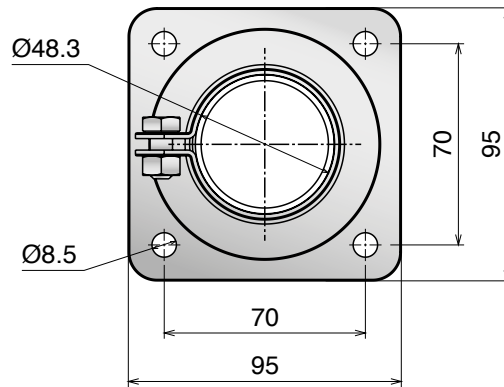
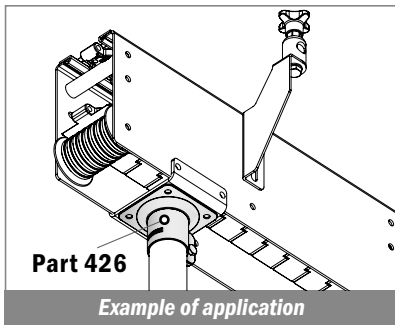
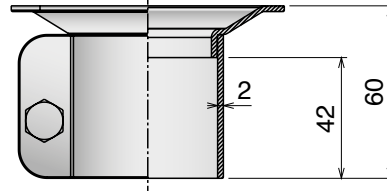
426 Testata d'appoggio
 Support head / Stützkopf

Stainless Steel | AISI 304

Screw included

Part	Article-Nr.
426	42601

426	42601
-----	-------



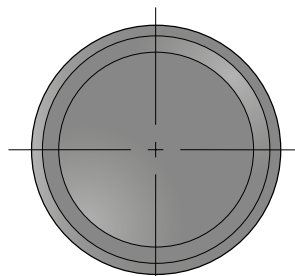
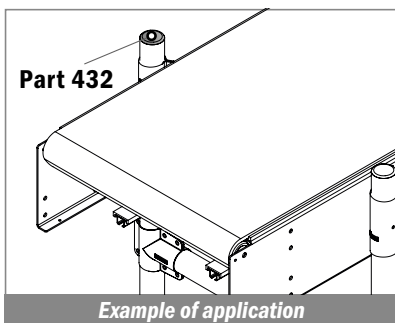
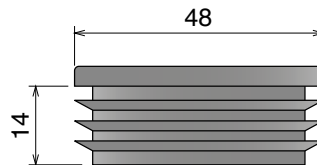
432 Tappo per tubi metrici tondi
 Plug for Round Metric Tubes / Runde Lamellenstopfen für metrische Röhren

New

Delivery: **Easy** Standard

Part	Article-Nr.
432	43201

432	43201
-----	-------



427-425

Componenti di supporto / Conveyor support components / Stützelemente

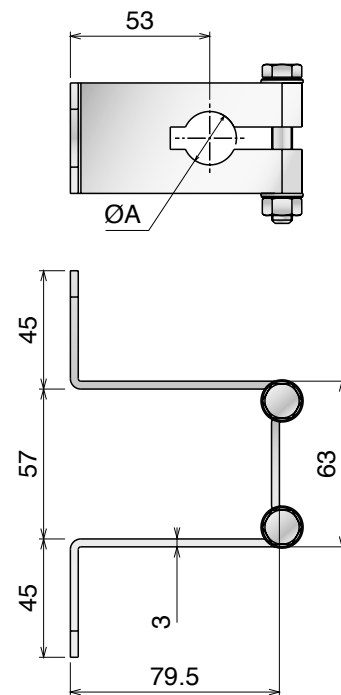
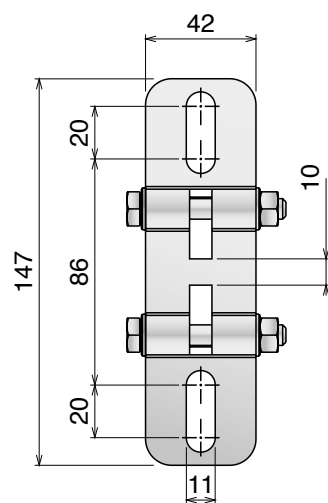
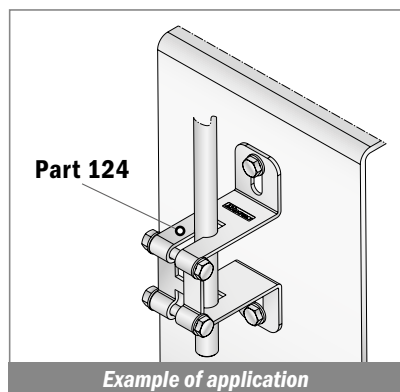
Materiale / Material / Materialien:
Acciaio inox / Stainless steel / Edelstahl

427 Supporto laterale Side bracket / Seitenhalter

Stainless Steel | AISI 304

Delivery: **Easy** **Standard** Screw-washer not included

Part	Article-Nr.	ØA
427	42701	16
427	42702	20

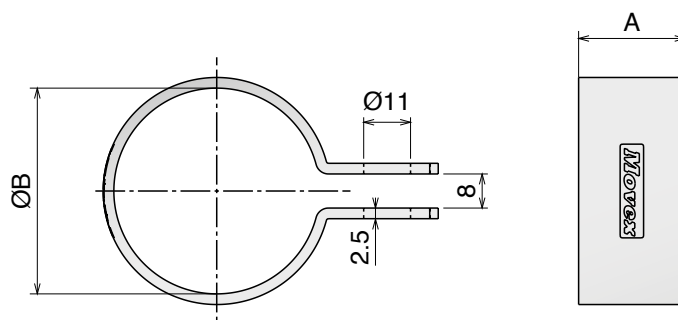
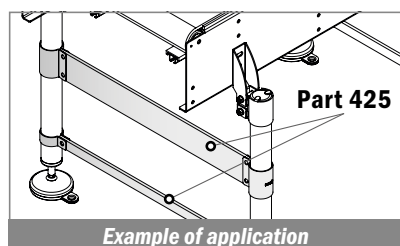


425 Morsetto a collare Clamp collar / Klemmschelle

Stainless Steel | AISI 304

Delivery: **Easy** **Standard**

Part	Article-Nr.	A	ØB
425	42501	25	48,3
425	42511	25	50,8
425	42521	76,2	50,8



Materiale / Material / Materialien:

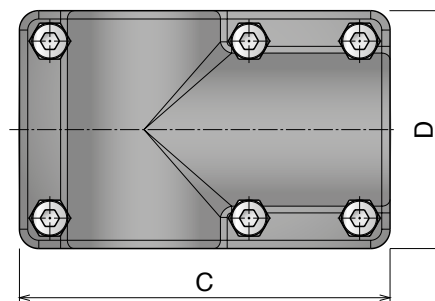
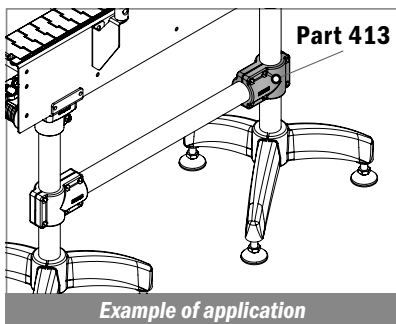
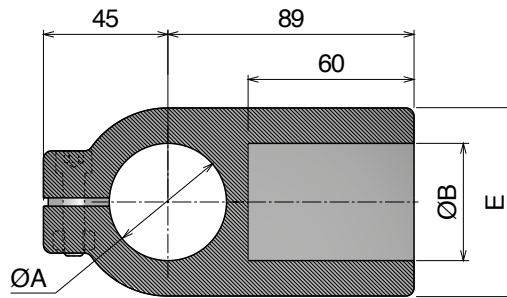
Giunto: Poliammide / Joint: Polyamide / Verbinder: Polyamid

Viti e rondelle: Acciaio inox / Screws and washers: Stainless steel / Schrauben und Scheibe: Edelstahl
 Inserti e dadi: Acciaio inox / Inserts nuts: Stainless steel / Mutter: Edelstahl

413 Giunto di collegamento Connecting joint / Verbindungselement

Delivery: **Easy** Standard Max recommended tightening torque 1,5 kgm

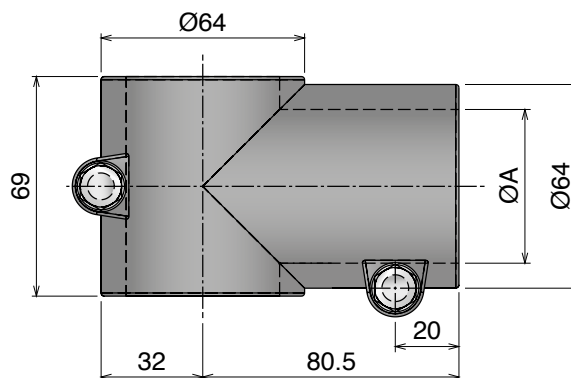
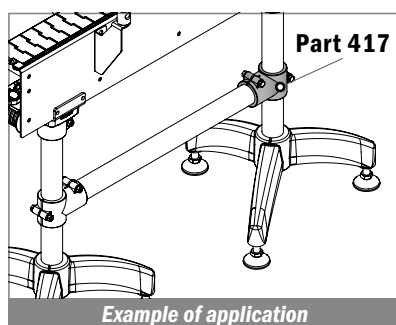
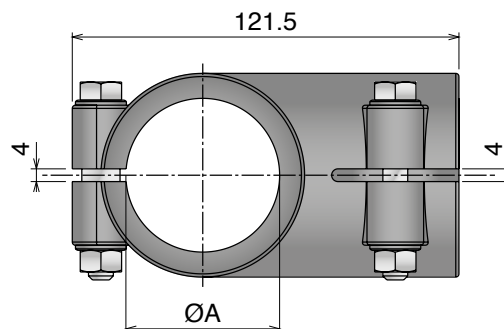
Part	Article-Nr.	ØA	ØB	C	D	E
413	41301	48,3	48,3	134	86	68
413	41302	60,3	48,3	146	98	80
413	41303	60,3	60,3	146	98	80



417 Giunto di collegamento Connecting joint / Verbindungselement

Delivery: **Easy** Standard

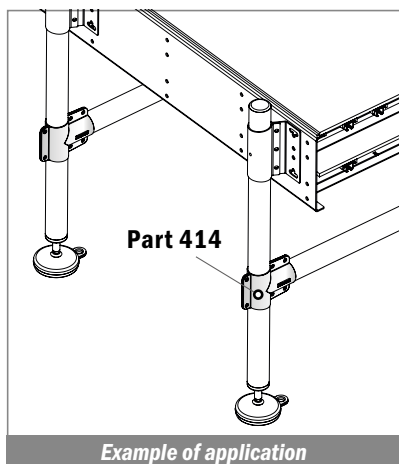
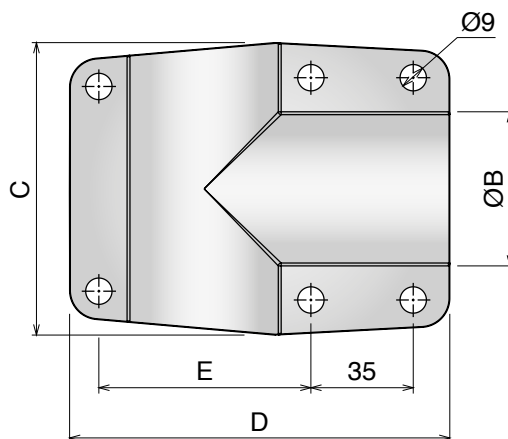
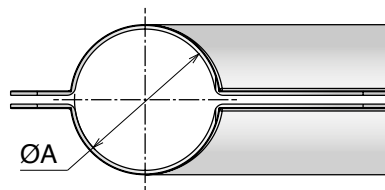
Part	Article-Nr.	ØA
417	41701	48,3
417	41702	50,9



414 Giunto di collegamento (acciaio inox) Connecting joint (SS) / Verbindungselement (Edelstahl)

Stainless Steel | AISI 304

Delivery:	Easy	Standard	Max recommended tightening torque 2,5 kgm	Part	Article-Nr.	ØA	ØB	C	D	E
				414	41401	48,3	48,3	100	130	72,5
				414	41402	60,3	60,3	110	150	92,5



Materiale / Material / Materialien:

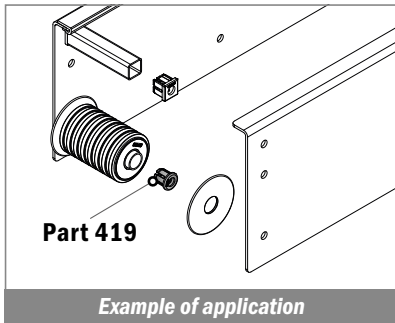
Tappo: Poliammide / Plug: Polyamide / Stopfen: Polyamid

Inseri: PA o Ottone / Inserts: PA or Brass

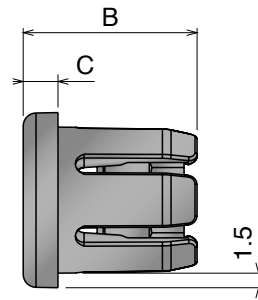
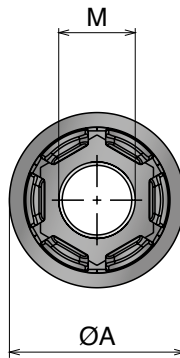
Einsatz: PA oder Messing

419 Tappi ad espansione Expansions plugs / Gewindezapfen, Spreizbar

Delivery: **Easy** Standard

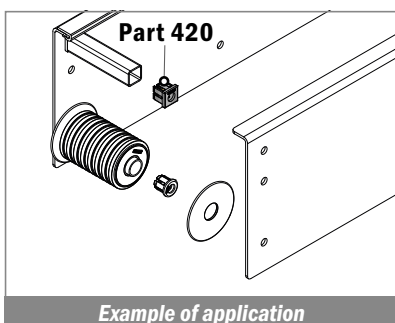


Part	Article-Nr.		ØA	B	C	M
	Brass Bush	PA Bush				
419	41907	-	20	19	3	M8
419	41908	-	20	19	3	M10
419	41901	-	20	20	4	M8
419	41902	-	20	20	4	M10
419	41903	41913	38	40	5	M8
419	41904	41914	38	40	5	M10
419	41905	41915	42,4	40	5	M8
419	41906	41916	42,4	40	5	M10

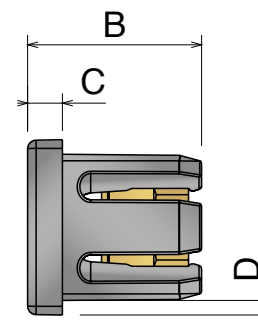
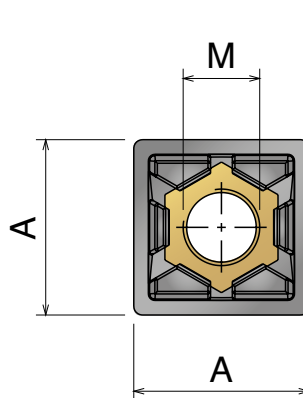


420 Tappi ad espansione Expansions plugs / Gewindezapfen, Spreizbar

Delivery: **Easy** Standard

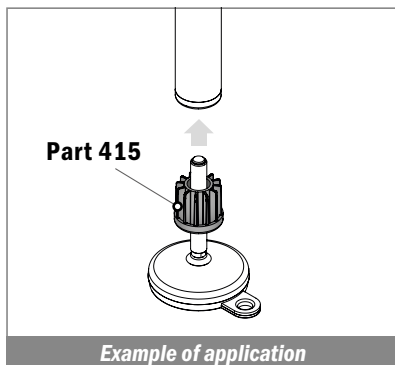
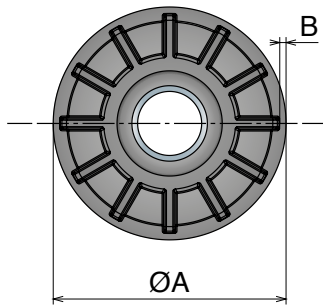
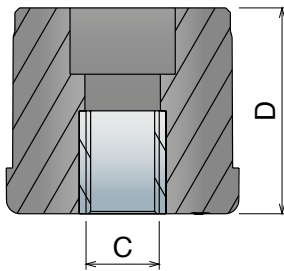


Part	Article-Nr.		A	B	C	D	M
	Brass Bush	PA Bush					
420	42001	-	20	20	4	1,5	M8
420	42002	-	20	20	4	1,5	M10
420	42003	-	20	20	4	2	M8
420	42004	-	20	20	4	2	M10
420	42005	42015	40	40	5	2	M8
420	42006	42016	40	40	5	2	M10



415 Tappi tondi filettati Threaded bushings for round tubes / Gewindezapfen f. Rund-Rohr

Delivery: **Easy** **Standard**



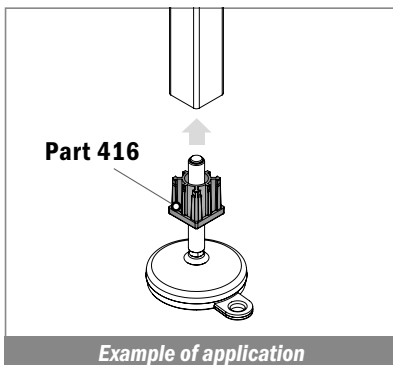
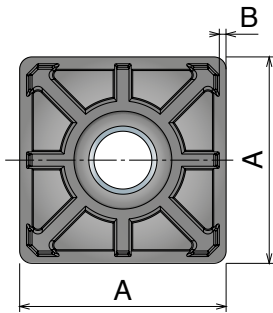
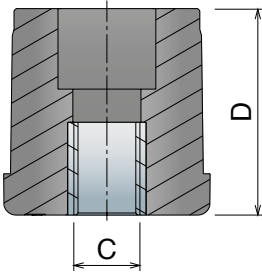
Part	Art.-Nr.	ØA	B	C	D
415	41507	30	1	M10	33
415	41508			M12	33
415	41509			M14	33
415	41510			M16	33
415	41511	30	1,5	M10	33
415	41512			M12	33
415	41513			M14	33
415	41514			M16	33
415	41515	30	2	M10	33
415	41516			M12	33
415	41517			M14	33
415	41518			M16	33
415	41519	30	2,5	M10	33
415	41520			M12	33
415	41521			M14	33
415	41522			M16	33
415	41523	38	1,5	M10	40
415	41524			M12	40
415	41525			M14	40
415	41526			M16	40
415	41527	38	2	M10	40
415	41528			M12	40
415	41529			M14	40
415	41530			M16	40
415	41531	38	2,5	M10	40
415	41532			M12	40
415	41533			M14	40
415	41534			M16	40
415	41535	42,4	1,5	M10	43
415	41536			M12	43
415	41537			M14	43
415	41538			M16	43
415	41539			M20	43
415	41540	42,4	2	M10	43
415	41541			M12	43
415	41542			M14	43
415	41543			M16	43
415	41544			M20	43
415	41545	42,4	2,5	M10	43
415	41546			M12	43
415	41547			M14	43
415	41548			M16	43
415	41549			M20	43
415	41550	48,3	1,5	M10	48
415	41551			M12	48
415	41552			M14	48
415	41501			M16	48
415	41502			M20	48

Part	Art.-Nr.	ØA	B	C	D
415	41553	48,3	2	M10	48
415	41554			M12	48
415	41555			M14	48
415	41556			M16	48
415	41557			M20	48
415	41558	48,3	2,5	M10	48
415	41559			M12	48
415	41560			M14	48
415	41561			M16	48
415	41562			M20	48
415	41563	50	1,5	M10	50
415	41564			M12	50
415	41565			M14	50
415	41503			M16	50
415	41504			M20	50
415	41566	50,9	1,5	M10	50
415	41567			M12	50
415	41568			M14	50
415	41569			M16	50
415	41570			M20	50
415	41571	50,9	2	M10	50
415	41572			M12	50
415	41573			M14	50
415	41574			M16	50
415	41575			M20	50
415	41576	50,9	2,5	M10	50
415	41577			M12	50
415	41578			M14	50
415	41579			M16	50
415	41580			M20	50
415	41581	60,3	1,5	M10	55
415	41582			M12	55
415	41583			M14	55
415	41584			M16	55
415	41585			M20	55
415	41586	60,3	2	M10	55
415	41587			M12	55
415	41588			M14	55
415	41505			M16	55
415	41506			M20	55
415	41589	60,3	2,5	M10	55
415	41590			M12	55
415	41591			M14	55
415	41592			M16	55
415	41593			M20	55

416 Tappi quadrati filettati

Threaded bushings for square tubes / Gewindezapfen f. Vierkant-Rohr

Delivery: **Easy** Standard



Part	Article-Nr.	A	B	C	D
416	41601	25	1,5	M10	30
416	41602			M12	30
416	41611	30	1,5	M10	33
416	41603			M12	33
416	41612			M14	33
416	41604			M16	33
416	41613	30	2	M10	33
416	41614			M12	33
416	41615			M14	33
416	41616			M16	33
416	41617	35	1,5	M10	43
416	41618			M12	43
416	41619			M14	43
416	41620			M16	43
416	41621			M20	43
416	41622			35	2
416	41623	M12	43		
416	41624	M14	43		
416	41625	M16	43		
416	41626	M20	43		
416	41681	38,1	1,6		
416	41682			M12	43
416	41683			M14	43
416	41684			M16	43
416	41685			M20	43
416	41686			38,1	3
416	41687	M12	43		
416	41688	M14	43		
416	41689	M16	43		
416	41690	M20	43		
416	41627	40	1,2		
416	41628			M12	43
416	41629			M14	43
416	41630			M16	43
416	41631			M20	43
416	41632			40	1,5
416	41605	M12	43		
416	41633	M14	43		
416	41606	M16	43		
416	41634	M20	43		
416	41635	40	2		
416	41636			M12	43
416	41637			M14	45
416	41607			M16	45
416	41608			M20	45
416	41638			40	2,5
416	41639	M12	45		
416	41640	M14	45		
416	41641	M16	45		
416	41642	M20	45		

Part	Article-Nr.	A	B	C	D
416	41643	45	2	M10	50
416	41644			M12	50
416	41645			M14	50
416	41646	45	2	M16	50
416	41647			M20	50
416	41648			50	1,2
416	41649	M12	50		
416	41650	M14	50		
416	41651	M16	50		
416	41652	M20	50		
416	41653	50	1,5		
416	41654			M12	50
416	41655			M14	50
416	41656			M16	50
416	41657			M20	50
416	41658			50	2
416	41659	M12	50		
416	41660	M14	50		
416	41609	M16	50		
416	41610	M20	50		
416	41661	50	2,5		
416	41662			M12	50
416	41663			M14	50
416	41664			M16	50
416	41665			M20	50
416	41666			50	3
416	41667	M12	50		
416	41668	M14	50		
416	41669	M16	50		
416	41670	M20	50		
416	41671	60	2		
416	41672			M12	55
416	41673			M14	55
416	41674			M16	55
416	41675			M20	55
416	41676			60	3
416	41677	M12	55		
416	41678	M14	55		
416	41679	M16	55		
416	41680	M20	55		

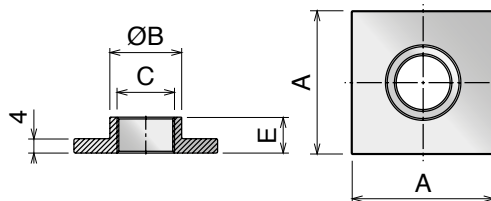
428 Tappi quadrati filettati Threaded bushings for square tube / Gewindezapfen f. Vierkant-Rohr

Stainless Steel | AISI 304

Delivery: **Easy** Standard



Part	Article-Nr.	A	C	ØB	E
428	42801	40	M16	20	10
428	42802	40	M20	23	11,5
428	42803	45	M16	20	10
428	42804	45	M20	23	11,5
428	42805	50	M16	20	10
428	42806	50	M20	23	11,5
428	42807	60	M16	20	10
428	42808	60	M20	23	11,5



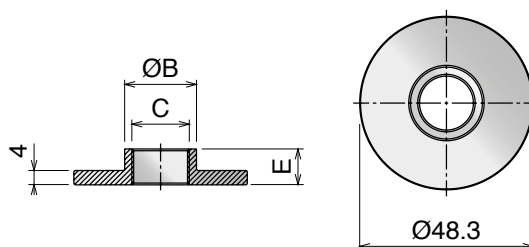
429 Tappi tondi filettati Threaded bushings for round tube / Gewindezapfen f. Rund-Rohr

Stainless Steel | AISI 304

Delivery: **Easy** Standard



Part	Article-Nr.	C	ØB	E
429	42901	M16	20	10
429	42902	M20	23	11,5



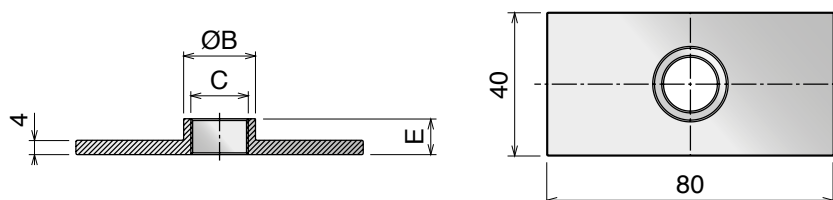
430 Tappi rettangolari filettati Threaded bushings for rectangular tube / Gewindezapfen f. Rechteck

Stainless Steel | AISI 304

Delivery: **Easy** Standard



Part	Article-Nr.	C	ØB	E
430	43001	M16	20	10
430	43002	M20	23	11,5




418

Giunto di collegamento
 Connecting joint / Verbindungselement

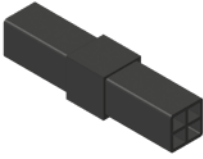
Delivery: **Easy** Standard

Type A



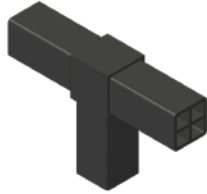
Part	Article-Nr.	Type
418	41801	A

Type B



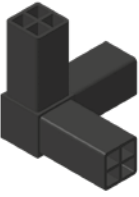
Part	Article-Nr.	Type
418	41802	B

Type C




Part	Article-Nr.	Type
418	41803	C

Type D



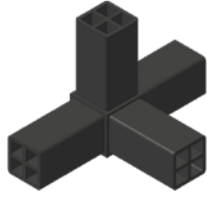
Part	Article-Nr.	Type
418	41804	D

Type E



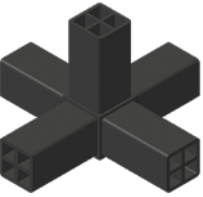
Part	Article-Nr.	Type
418	41805	E

Type F




Part	Article-Nr.	Type
418	41806	F

Type G

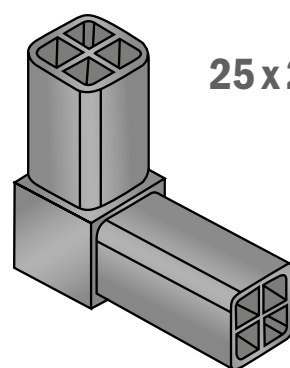
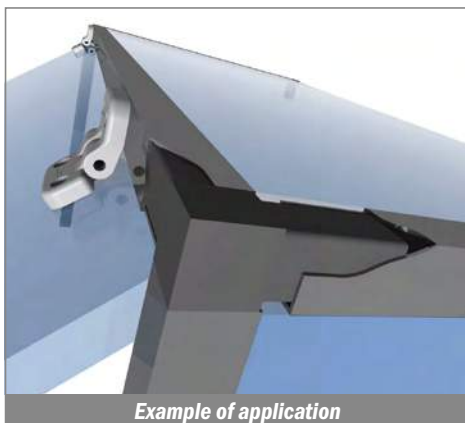


Part	Article-Nr.	Type
418	41807	G

Type H



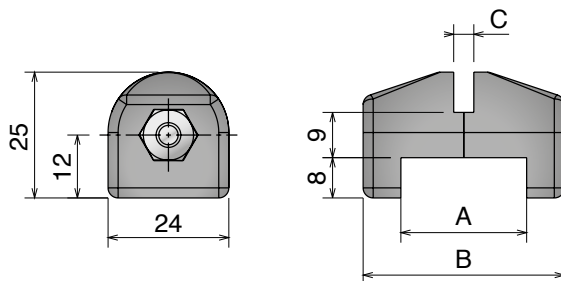
Part	Article-Nr.	Type
418	41808	H



For Tubes
 25 x 25 x 1.5 mm

421 Blocco per pannelli Panel clamp / Panelklemme

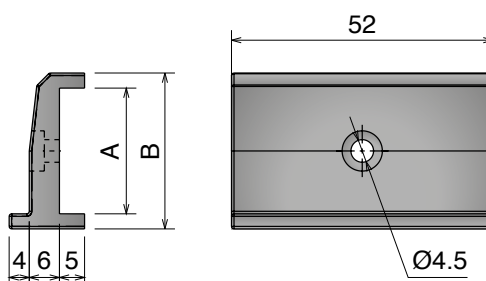
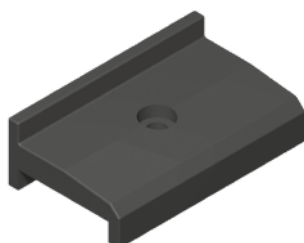
Delivery: **Easy** **Standard**



Part	Article-Nr.	A	B	C
421	42101	25	40	4
421	42102	25	40	5
421	42103	25	40	6
421	42104	30	45	4
421	42105	30	45	5
421	42106	30	45	6

422 Fermaporta Door stop / Türstopper

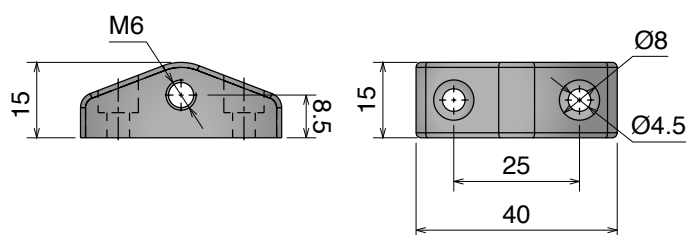
Delivery: **Easy** **Standard**



Part	Article-Nr.	A	B
422	42201	25	31

423 Blocchetto di fissaggio Fixing lock / Anschlag

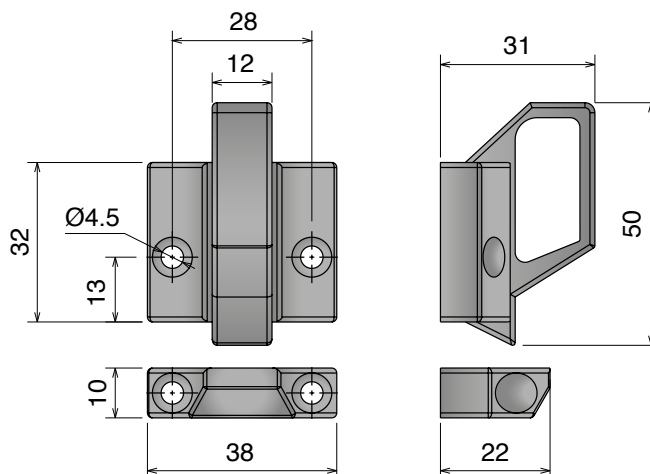
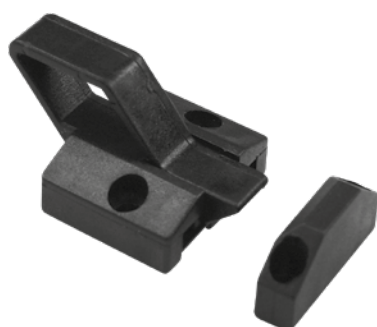
Delivery: **Easy** **Standard**



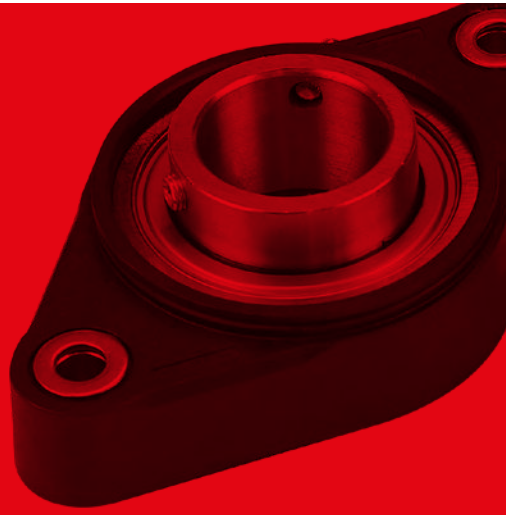
Part	Article-Nr.
423	42301

424 Fermaporta a molla Spring loaded latch / Türverschluss

Delivery: **Easy** **Standard**



Part	Article-Nr.
424	42401



UCFL Series



Pag 430

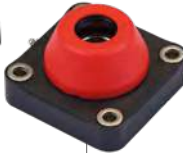


Pag 433

UCF Series



Pag 436



Pag 439

UCFA Series



Pag 442

UCFA Series



Pag 444

UCFL-H / UCF-H Series



Pag 446

CL / CS Series



Pag 448

FL / F / FB / UCT Series



Pag 450

SUCF / SUCFL / SUCFK Series



Pag 453

UCFL

Range Extended

Delivery: **Easy** Standard

Componenti

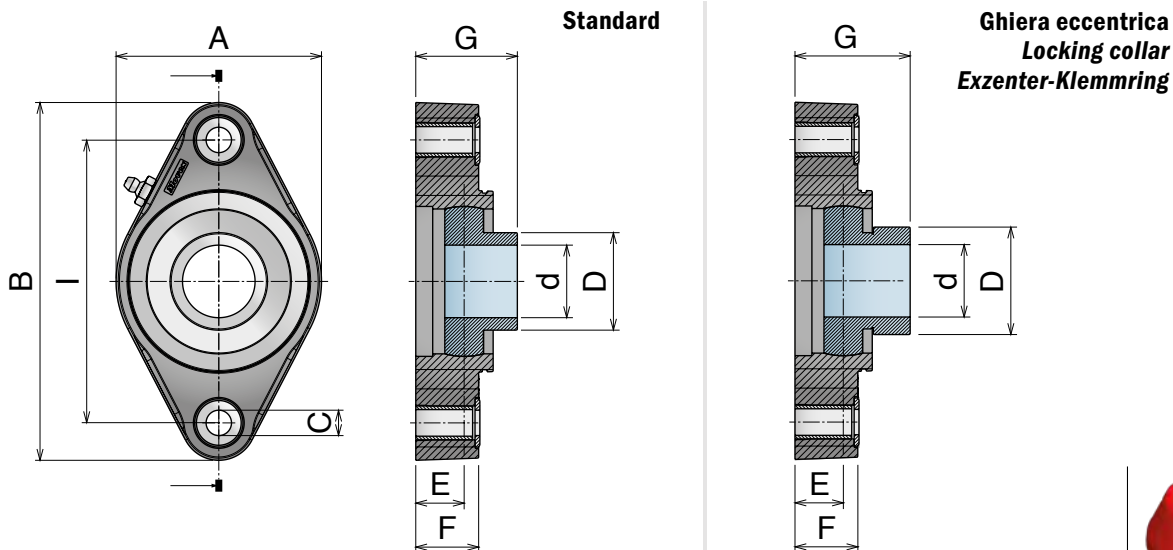
- Sede in poliammide rinforzato, con elevata resistenza meccanica e ottima resistenza contro agenti chimici corrosivi quali acqua, oli, benzina e liquidi contenenti alcool. Tutti i nostri cuscinetti possono essere utilizzati ad una temperatura compresa fra 0°C e +80°C.
- I cuscinetti sono realizzati in acciaio al cromo, disponibili anche, su richiesta, nella versione in acciaio inox. Il cuscinetto all'interno della flangia può essere regolato di 2,5°.
- L'ingrassatore viene realizzato in ferro nichelato, o in acciaio inox nella versione con il cuscinetto in acciaio inox.
- Distanziali realizzati in ottone nichelato per rinforzare il foro di fissaggio.
- Rondella in acciaio inox.

Components

- *Housing in reinforced polyamide, with higher load capacity and good resistance to corrosive chemicals such as water, oils, petrol and alcoholic beverages. All our bearings can be used at temperatures between 0°C and +80°C.*
- *Ball bearings are made in chrome steel. They are also available, upon request, in stainless steel. Max misalignment between shaft and housing: 2.5°.*
- *Grease nipple are made in nickel plated steel, but they can also be made in stainless steel on the stainless steel bearing.*
- *Spacers from nickel plated brass to reinforce fixing holes.*
- *Washer stainless steel.*

Komponenten

- *Gehäuse gefertigt aus verstärktem Polyamid. Dies gewährleistet eine gute Widerstandsfähigkeit gegenüber mechanischen Einflüssen und eine gute Korrosionsbeständigkeit gegenüber Wasser, Ölen, Benzin, Flüssigkeiten mit Alkohol und Chemikalien. Alle unsere Gehäuse-Lagereinheiten können in einem Temperaturbereich von 0°C bis +80°C eingesetzt werden.*
- *Die Lagereinsätze sind aus Chrom-Stahl, auf Anfrage auch in Edelstahl erhältlich. Alle Lager gleichen einen Fluchtungsfehler von bis zu 2,5° selbstständig aus.*
- *Die Schmiernippel sind aus vernickeltem Stahl (aus Edelstahl wenn die Ausführung mit Edelstahl Einsatz gefragt ist).*
- *Alle Distanzstücke sind aus vernickeltem Messing und verstärken die Befestigungsbohrungen.*
- *Alle Unterlegscheiben aus Edelstahl.*



Safety Cap

Inserto standard / Standard insert / Standard-Flanschlager

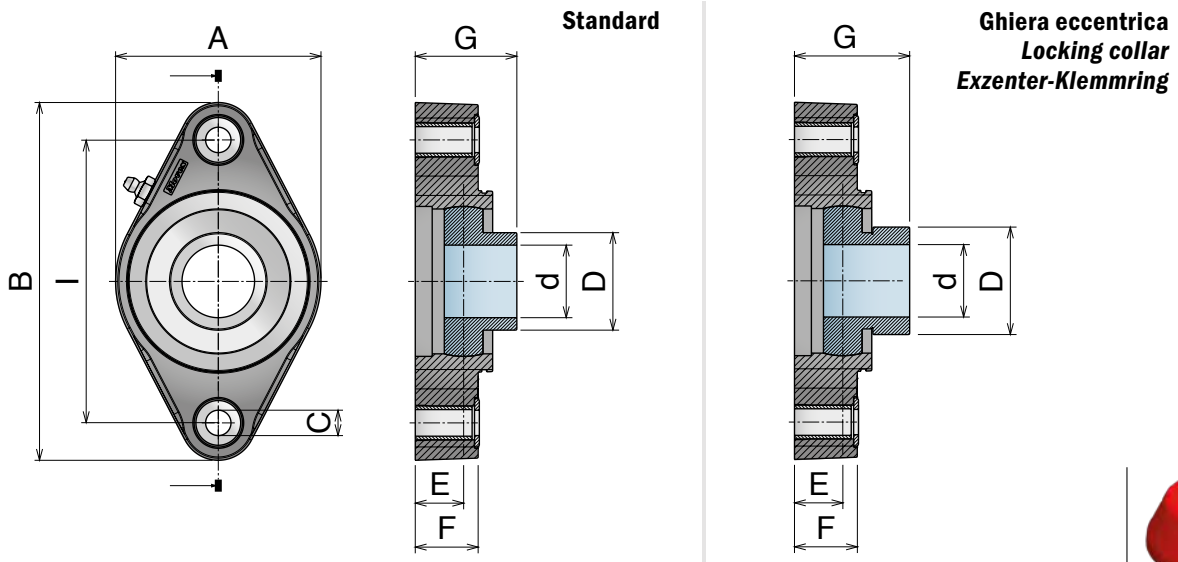
Chrome Steel	Part	Article-Nr.	Series	d	l	A	B	C	D	E	F	G	Article-Nr.
	801	80110	UCFL 204	20	90	62	116	11	29	16	20	34	89004
	801	80100	UCFL 204	20	90	71	130	11	29	17,5	22,5	33,5	89001
	801	80121	UCFL 205/90	25	90	85	116	11	34	14,5	20	34	89005
	801	80101	UCFL 205/90	25	90	71	130	11	34	16,8	22,5	36,3	89001
	801	80111	UCFL 205	25	99	71	130	11	34	16,8	22,5	36,3	89001
	801	80122	UCFL 206/90	30	90	85	116	11	40,3	14,5	20	36,5	89005
	801	80132	UCFL 206/99	30	99	85	130	11	40,3	20	26	42	89002
	801	80102	UCFL 206/99	30	99	85	148	11	40,3	20	26	42	89002
	801	80112	UCFL 206	30	117	85	148	11	40,3	20	26	42	89002
	801	80103	UCFL 207/117	35	117	93	148	11	48	19,5	26	43	89003
	801	80113	UCFL 207	35	130	93	162	11	48	19,5	26	43	89003
	801	80104	UCFL 208/117	40	117	93	148	11	53	19	26	44	89003
801	80114	UCFL 208	40	130	93	162	11	53	19	26	44	89003	

Inserto standard / Standard insert / Standard-Flanschlager

Stainless Steel	Part	Article-Nr.	Series	d	l	A	B	C	D	E	F	G	Article-Nr.
	801	80110SS	UCFL 204	20	90	62	116	11	29	16	20	34	89004
	801	80100SS	UCFL 204	20	90	71	130	11	29	17,5	22,5	33,5	89001
	801	80121SS	UCFL 205/90	25	90	85	116	11	34	14,5	20	34	89005
	801	80101SS	UCFL 205/90	25	90	71	130	11	34	16,8	22,5	36,3	89001
	801	80111SS	UCFL 205	25	99	71	130	11	34	16,8	22,5	36,3	89001
	801	80122SS	UCFL 206/90	30	90	85	116	11	40,3	14,5	20	36,5	89005
	801	80132SS	UCFL 206/99	30	99	85	130	11	40,3	20	26	42	89002
	801	80102SS	UCFL 206/99	30	99	85	148	11	40,3	20	26	42	89002
	801	80112SS	UCFL 206	30	117	85	148	11	40,3	20	26	42	89002
	801	80103SS	UCFL 207/117	35	117	93	148	11	48	19,5	26	43	89003
	801	80113SS	UCFL 207	35	130	93	162	11	48	19,5	26	43	89003
	801	80104SS	UCFL 208/117	40	117	93	148	11	53	19	26	44	89003
801	80114SS	UCFL 208	40	130	93	162	11	53	19	26	44	89003	

Inserto con ghiera eccentrica / Insert with locking collar / Flanschlager mit Exzenter-Klemmring

Chrome Steel	Part	Article-Nr.	Series	d	l	A	B	C	D	E	F	G	Article-Nr.
	802	80210	UCFL 204	20	90	62	116	11	33,3	16	20	39,9	89004
	802	80200	UCFL 204	20	90	71	130	11	33,3	17,5	22,5	41,4	89001
	802	80221	UCFL 205/90	25	90	85	116	11	38,1	14,5	20	37,9	89005
	802	80201	UCFL 205/90	25	90	71	130	11	38,1	16,8	22,5	40,2	89001
	802	80211	UCFL 205	25	99	71	130	11	38,1	16,8	22,5	40,2	89001
	802	80222	UCFL 206/90	30	90	85	116	11	44,5	14,5	20	42,2	89005
	802	80232	UCFL 206/99	30	99	85	130	11	44,5	20	26	47,7	89002
	802	80202	UCFL 206/99	30	99	85	148	11	44,5	20	26	47,7	89002
	802	80212	UCFL 206	30	117	85	148	11	44,5	20	26	47,7	89002
	802	80203	UCFL 207/117	35	117	93	148	11	55,6	19,5	26	49,9	89003
	802	80213	UCFL 207	35	130	93	162	11	55,6	19,5	26	49,9	89003
	802	80204	UCFL 208/117	40	117	93	148	11	60,3	19	26	53,7	89003
802	80214	UCFL 208	40	130	93	162	11	60,3	19	26	53,7	89003	



Safety Cap

Inserto standard / Standard insert / Standard-Flanschlager

Chrome Steel	Part	Article-Nr.	Series	d	l	A	B	C	D	E	F	G	Article-Nr.
	822	82205	UCFL 204/76,5	20	76,4	55,9	100	11	29	15,5	12	33,5	89007
	822	82210	UCFL 204	20	90	62	116	11	29	16	20	34	89004
	822	82201	UCFL 205/90	25	90	71	130	11	34	16,8	22,5	36,3	89001
	822	82211	UCFL 205	25	99	71	130	11	34	16,8	22,5	36,3	89001
	822	82222	UCFL 206/90	30	90	85	116	11	40,3	14,5	20	36,5	89005
	822	82212	UCFL 206	30	117	85	148	11	40,3	20	26	42	89002
	822	82203	UCFL 207/117	35	117	93	148	11	48	19,5	26	43	89003
	822	82213	UCFL 207	35	130	93	162	11	48	19,5	26	43	89003
	822	82204	UCFL 208/117	40	117	93	148	11	53	19	26	44	89003

Inserto standard / Standard insert / Standard-Flanschlager

Stainless Steel	Part	Article-Nr.	Series	d	l	A	B	C	D	E	F	G	Article-Nr.
	822	82205SS	UCFL 204/76,5	20	76,4	55,9	100	11	29	15,5	12	33,5	89007
	822	82210SS	UCFL 204	20	90	62	116	11	29	16	20	34	89004
	822	82201SS	UCFL 205/90	25	90	71	130	11	34	16,8	22,5	36,3	89001
	822	82211SS	UCFL 205	25	99	71	130	11	34	16,8	22,5	36,3	89001
	822	82222SS	UCFL 206/90	30	90	85	116	11	40,3	14,5	20	36,5	89005
	822	82212SS	UCFL 206	30	117	85	148	11	40,3	20	26	42	89002
	822	82203SS	UCFL 207/117	35	117	93	148	11	48	19,5	26	43	89003
	822	82213SS	UCFL 207	35	130	93	162	11	48	19,5	26	43	89003
	822	82204SS	UCFL 208/117	40	117	93	148	11	53	19	26	44	89003

Inserto con ghiera eccentrica / Insert with locking collar / Flanschlager mit Exzenter-Klemmring

Chrome Steel	Part	Article-Nr.	Series	d	l	A	B	C	D	E	F	G	Article-Nr.
	823	82305	UCFL 204/76,5	20	76,4	55,9	100	11	33,3	16	12	33,5	89007
	823	82310	UCFL 204	20	90	62	116	11	33,3	16	20	39,9	89004
	823	82301	UCFL 205/90	25	90	71	130	11	38,1	16,8	22,5	36,3	89001
	823	82311	UCFL 205	25	99	71	130	11	38,1	16,8	22,5	40,2	89001
	823	82322	UCFL 206/90	30	90	85	116	11	44,5	14,4	20	36,5	89005
	823	82312	UCFL 206	30	117	85	148	11	44,5	20	26	47,7	89002
	823	82303	UCFL 207/117	35	117	93	148	11	55,6	19,5	26	43	89003
	823	82313	UCFL 207	35	130	93	162	11	55,6	19,5	26	49,9	89003
	823	82304	UCFL 208/117	40	117	93	148	11	60,3	19	26	53,7	89003



Solid Housing

UCFL

Range Extended



Componenti

• Sede in poliammide rinforzato, con elevata resistenza meccanica e ottima resistenza contro agenti chimici corrosivi quali acqua, oli, benzina e liquidi contenenti alcool. Tutti i nostri cuscinetti possono essere utilizzati ad una temperatura compresa fra 0°C e +80°C.

• I cuscinetti sono realizzati in acciaio al cromo, disponibili anche, su richiesta, nella versione in acciaio inox.

Il cuscinetto all'interno della flangia può essere regolato di 2,5°.

• L'ingrassatore viene realizzato in ferro nichelato, o in acciaio inox nella versione con il cuscinetto in acciaio inox.

• Distanziali realizzati in ottone nichelato per rinforzare il foro di fissaggio.

• Rondella in acciaio inox.

• Coperchio di sicurezza in PP.

• Anello di tenuta in gomma NBR.

• O-ring in NBR rubber.

Components

• *Housing in reinforced polyamide, with higher load capacity and good resistance to corrosive chemicals such as water, oils, petrol and alcoholic beverages.*

All our bearings can be used at temperatures between 0°C and +80°C.

• *Ball bearings are made in chrome steel. They are also available, upon request, in stainless steel. Max misalignment between shaft and housing: 2.5°.*

• *Grease nipple are made in nickel plated steel, but they can also be made in stainless steel on the stainless steel bearing.*

• *Spacers from nickel plated brass to reinforce fixing holes.*

• *Washer stainless steel.*

• *Clip-on safety cap in PP.*

• *Rotary shaft seal ring in NBR rubber.*

• *O-ring in NBR rubber.*

Komponenten

• *Gehäuse gefertigt aus verstärktem Polyamid. Dies gewährleistet eine gute Widerstandsfähigkeit gegenüber mechanischen Einflüssen und eine gute Korrosionsbeständigkeit gegenüber Wasser, Ölen, Benzin, Flüssigkeiten mit Alkohol und Chemikalien. Alle unsere Gehäuse-Lagereinheiten können in einem Temperaturbereich von 0°C bis +80°C eingesetzt werden.*

• *Die Lagereinsätze sind aus Chrom-Stahl, auf Anfrage auch in Edelstahl erhältlich. Alle Lager gleichen eine Fluchtungsfehler von bis zu 2,5° selbstständig aus.*

• *Die Schmiernippel sind aus vernickeltem Stahl (aus Edelstahl wenn die Ausführung mit Edelstahl Einsatz gefragt ist).*

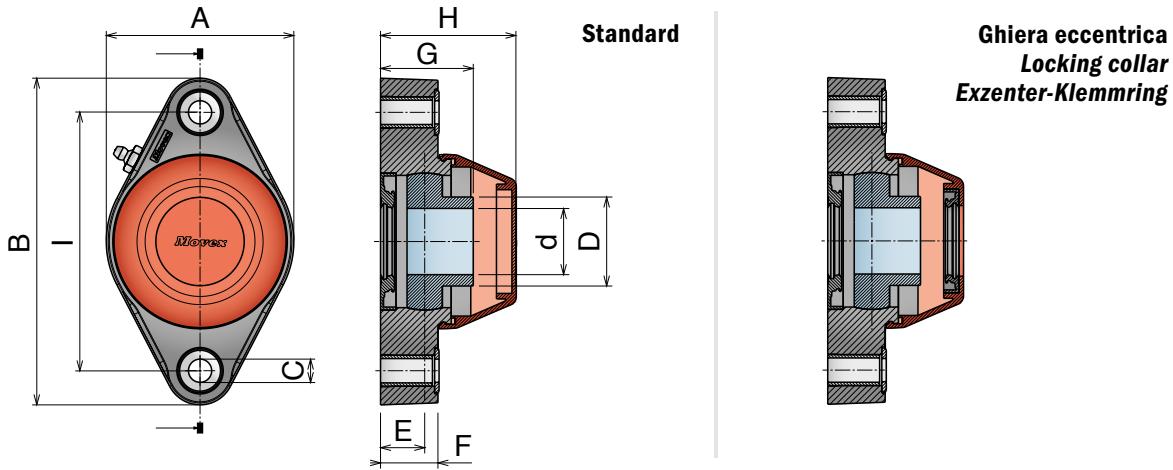
• *Alle Distanzstücke sind aus vernickeltem Messing und verstärkten die Befestigungsbohrungen.*

• *Alle Unterlegscheiben aus Edelstahl.*

• *Schutzkappe aus PP.*

• *Dichtringe aus NBR-Gummi.*

• *O-Ringe aus NBR-Gummi.*



Inserto standard, con guarnizioni, versione aperta e chiusa / Standard insert, sealed, open and close version / Standard-Flanschlager, abgedichtet, offene und geschlossene Version

	Part	Art-close	Part	Art-open	Series	d	I	A	B	C	D	E	F	G	H
	Chrome Steel	803	80310	804	80410	UCFL 204	20	90	62	116	11	29	16	20	34
803		80300	804	80400	UCFL 204	20	90	71	130	11	29	17,5	22,5	33,5	52
803		80321	804	80421	UCFL 205/90	25	90	85	116	11	34	14,5	20	34	55,5
803		80301	804	80401	UCFL 205/90	25	90	71	130	11	34	16,8	22,5	36,3	52
803		80311	804	80411	UCFL 205	25	99	71	130	11	34	16,8	22,5	36,3	52
803		80322	804	80422	UCFL 206/90	30	90	85	116	11	40,3	14,5	20	36,5	55,5
803		80332	804	80432	UCFL 206/99	30	99	85	130	11	40,3	20	26	42	61,5
803		80302	804	80402	UCFL 206/99	30	99	85	148	11	40,3	20	26	42	61,5
803		80312	804	80412	UCFL 206	30	117	85	148	11	40,3	20	26	42	61,5
803		80303	804	80403	UCFL 207/117	35	117	93	148	11	48	19,5	26	43	66,5
803		80313	804	80413	UCFL 207	35	130	93	162	11	48	19,5	26	43	66,5
803		80304	804	80404	UCFL 208/117	40	117	93	148	11	53	19	26	44	66,5
803		80314	804	80414	UCFL 208	40	130	93	162	11	53	19	26	44	66,5

Inserto standard, con guarnizioni, versione aperta e chiusa / Standard insert, sealed, open and close version / Standard-Flanschlager, abgedichtet, offene und geschlossene Version

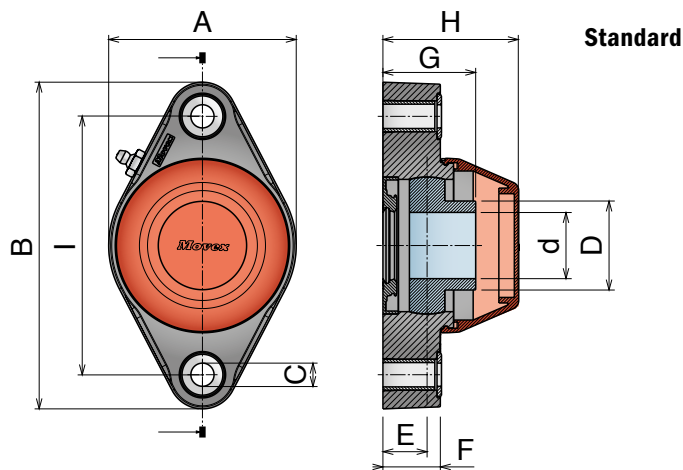
	Part	Art-close	Part	Art-open	Series	d	I	A	B	C	D	E	F	G	H
	Stainless Steel	803	80310SS	804	80410SS	UCFL 204	20	90	62	116	11	29	16	20	34
803		80300SS	804	80400SS	UCFL 204	20	90	71	130	11	29	17,5	22,5	33,5	52
803		80321SS	804	80421SS	UCFL 205/90	25	90	85	116	11	34	14,5	20	34	55,5
803		80301SS	804	80401SS	UCFL 205/90	25	90	71	130	11	34	16,8	22,5	36,3	52
803		80311SS	804	80411SS	UCFL 205	25	99	71	130	11	34	16,8	22,5	36,3	52
803		80322SS	804	80422SS	UCFL 206/90	30	90	85	116	11	40,3	14,5	20	36,5	55,5
803		80332SS	804	80432SS	UCFL 206/99	30	99	85	130	11	40,3	20	26	42	61,5
803		80302SS	804	80402SS	UCFL 206/99	30	99	85	148	11	40,3	20	26	42	61,5
803		80312SS	804	80412SS	UCFL 206	30	117	85	148	11	40,3	20	26	42	61,5
803		80303SS	804	80403SS	UCFL 207/117	35	117	93	148	11	48	19,5	26	43	66,5
803		80313SS	804	80413SS	UCFL 207	35	130	93	162	11	48	19,5	26	43	66,5
803		80304SS	804	80404SS	UCFL 208/117	40	117	93	148	11	53	19	26	44	66,5
803		80314SS	804	80414SS	UCFL 208	40	130	93	162	11	53	19	26	44	66,5

Inserto "long life", con guarnizioni, versione aperta e chiusa / "Long life" insert, sealed, open and close version / "Long Life"-Flanschlager, abgedichtet, offene und geschlossene Version

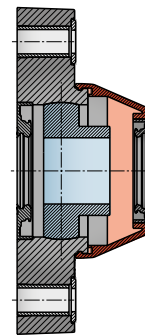
	Part	Art-close	Part	Art-open	Series	d	I	A	B	C	D	E	F	G	H
	Chrome Steel "Long life"	803	80310L	804	80410L	UCFL 204	20	90	62	116	11	29	16	20	34
803		80300L	804	80400L	UCFL 204	20	90	71	130	11	29	17,5	22,5	33,5	52
803		80321L	804	80421L	UCFL 205/90	25	90	85	116	11	34	14,5	20	34	55,5
803		80301L	804	80401L	UCFL 205/90	25	90	71	130	11	34	16,8	22,5	36,3	52
803		80311L	804	80411L	UCFL 205	25	99	71	130	11	34	16,8	22,5	36,3	52
803		80322L	804	80422L	UCFL 206/90	30	90	85	116	11	40,3	14,5	20	36,5	55,5
803		80332L	804	80432L	UCFL 206/99	30	99	85	130	11	40,3	20	26	42	61,5
803		80302L	804	80402L	UCFL 206/99	30	99	85	148	11	40,3	20	26	42	61,5
803		80312L	804	80412L	UCFL 206	30	117	85	148	11	40,3	20	26	42	61,5
803		80303L	804	80403L	UCFL 207/117	35	117	93	148	11	48	19,5	26	43	66,5
803		80313L	804	80413L	UCFL 207	35	130	93	162	11	48	19,5	26	43	66,5
803		80304L	804	80404L	UCFL 208/117	40	117	93	148	11	53	19	26	44	66,5
803		80314L	804	80414L	UCFL 208	40	130	93	162	11	53	19	26	44	66,5

Inserto con ghiera eccentrica, guarnizioni, versione aperta e chiusa / Insert with locking collar, sealed, open and close version / Flanschlager mit Exzenter-Klemmring, abgedichtet, offene und geschlossene Version

	Part	Art-close	Part	Art-open	Series	d	I	A	B	C	D	E	F	G	H
	Chrome Steel	805	80510	806	80610	UCFL 204	20	90	62	116	11	33,3	16	20	39,9
805		80500	806	80600	UCFL 204	20	90	71	130	11	33,3	17,5	22,5	41,4	52
805		80521	806	80621	UCFL 205/90	25	90	85	116	11	38,1	14,5	20	37,9	55,5
805		80501	806	80601	UCFL 205/90	25	90	71	130	11	38,1	16,8	22,5	40,2	52
805		80511	806	80611	UCFL 205	25	99	71	130	11	38,1	16,8	22,5	40,2	52
805		80522	806	80622	UCFL 206/90	30	90	85	116	11	44,5	14,5	20	42,2	55,5
805		80532	806	80632	UCFL 206/99	30	99	85	130	11	44,5	20	26	47,7	61,5
805		80502	806	80602	UCFL 206/99	30	99	85	148	11	44,5	20	26	47,7	61,5
805		80512	806	80612	UCFL 206	30	117	85	148	11	44,5	20	26	47,7	61,5
805		80503	806	80603	UCFL 207/117	35	117	93	148	11	55,6	19,5	26	49,9	66,5
805		80513	806	80613	UCFL 207	35	130	93	162	11	55,6	19,5	26	49,9	66,5
805		80504	806	80604	UCFL 208/117	40	117	93	148	11	60,3	19	26	53,7	66,5
805		80514	806	80614	UCFL 208	40	130	93	162	11	60,3	19	26	53,7	66,5



Ghiera eccentrica
Locking collar
Exzenter-Klemmring



Solid Housing

Inserto standard, con guarnizioni, versione aperta e chiusa / Standard insert, sealed, open and close version / Standard-Flanschlager, abgedichtet, offene und geschlossene Version

Chrome Steel	Part	Art-close	Part	Art-open	Series	d	l	A	B	C	D	E	F	G	H
	824	82405	825	82505	UCFL 204/76,5	20	76,5	56	100	11	29	15,5	12	26	49
	824	82410	825	82510	UCFL 204	20	90	62	116	11	29	16	20	34	51,5
	824	82401	825	82501	UCFL 205/90	25	90	71	130	11	34	16,8	22,5	36,3	52
	824	82411	825	82511	UCFL 205	25	99	71	130	11	34	16,8	22,5	36,3	52
	824	82422	825	82522	UCFL 206/90	30	90	85	116	11	40,3	14,5	20	36,5	55,5
	824	82412	825	82512	UCFL 206	30	117	85	148	11	40,3	20	26	42	61,5
	824	82403	825	82503	UCFL 207/117	35	117	93	148	11	48	19,5	26	43	66,5
	824	82413	825	82513	UCFL 207	35	130	93	162	11	48	19,5	26	43	66,5
	824	82404	825	82504	UCFL 208/117	40	117	93	148	11	53	19	26	44	66,5

Inserto standard, con guarnizioni, versione aperta e chiusa / Standard insert, sealed, open and close version / Standard-Flanschlager, abgedichtet, offene und geschlossene Version

Stainless Steel	Part	Art-close	Part	Art-open	Series	d	l	A	B	C	D	E	F	G	H
	824	82405SS	825	82505SS	UCFL 204/76,5	20	76,5	56	100	11	29	15,5	12	26	49
	824	82410SS	825	82510SS	UCFL 204	20	90	62	116	11	29	16	20	34	51,5
	824	82401SS	825	82501SS	UCFL 205/90	25	90	71	130	11	34	16,8	22,5	36,3	52
	824	82411SS	825	82511SS	UCFL 205	25	99	71	130	11	34	16,8	22,5	36,3	52
	824	82422SS	825	82522SS	UCFL 206/90	30	90	85	116	11	40,3	14,5	20	36,5	55,5
	824	82412SS	825	82512SS	UCFL 206	30	117	85	148	11	40,3	20	26	42	61,5
	824	82403SS	825	82503SS	UCFL 207/117	35	117	93	148	11	48	19,5	26	43	66,5
	824	82413SS	825	82513SS	UCFL 207	35	130	93	162	11	48	19,5	26	43	66,5
	824	82404SS	825	82504SS	UCFL 208/117	40	117	93	148	11	53	19	26	44	66,5

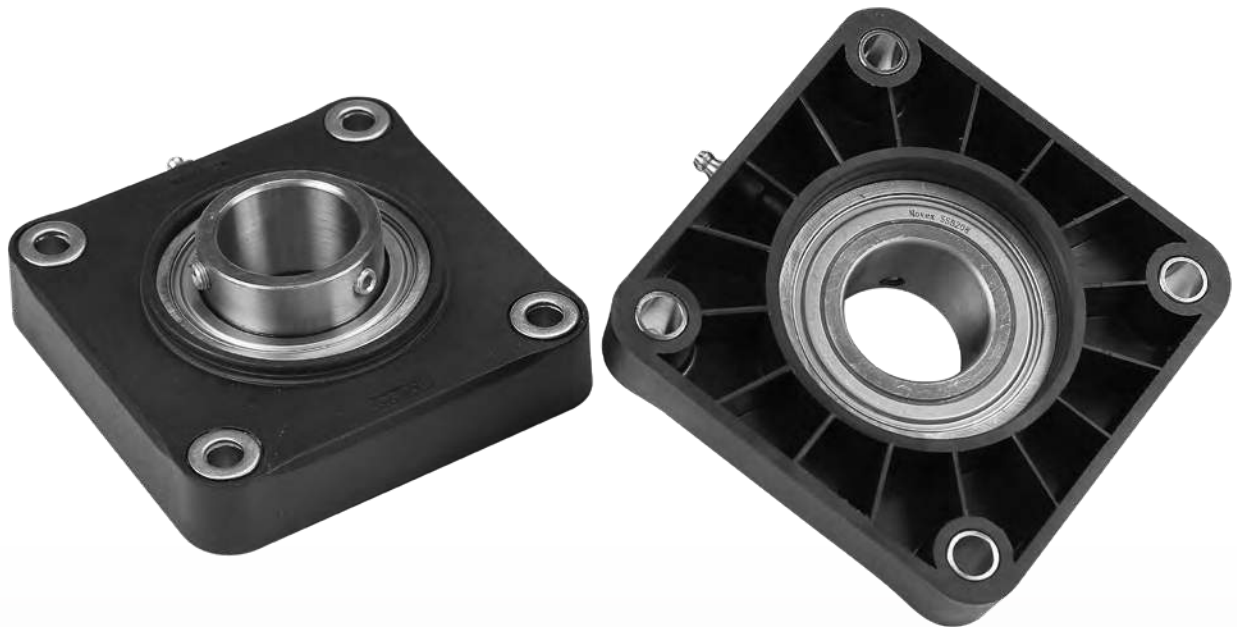
Inserto "long life", con guarnizioni, versione aperta e chiusa / "Long life" insert, sealed, open and close version / "Long Life"-Flanschlager, abgedichtet, offene und geschlossene Version

"Long life"	Part	Art-close	Part	Art-open	Series	d	l	A	B	C	D	E	F	G	H
	824	82405L	825	82505L	UCFL 204/76,5	20	76,5	56	100	11	29	15,5	12	26	49
	824	82410L	825	82510L	UCFL 204	20	90	62	116	11	29	16	20	34	51,5
	824	82401L	825	82501L	UCFL 205/90	25	90	71	130	11	34	16,8	22,5	36,3	52
	824	82411L	825	82511L	UCFL 205	25	99	71	130	11	34	16,8	22,5	36,3	52
	824	82422L	825	82522L	UCFL 206/90	30	90	85	116	11	40,3	14,5	20	36,5	55,5
	824	82412L	825	82512L	UCFL 206	30	117	85	148	11	40,3	20	26	42	61,5
	824	82403L	825	82503L	UCFL 207/117	35	117	93	148	11	48	19,5	26	43	66,5
	824	82413L	825	82513L	UCFL 207	35	130	93	162	11	48	19,5	26	43	66,5
	824	82404L	825	82504L	UCFL 208/117	40	117	93	148	11	53	19	26	44	66,5

Inserto con ghiera eccentrica, guarnizioni, versione aperta e chiusa / Insert with locking collar, sealed, open and close version / Flanschlager mit Exzenter-Klemmring, abgedichtet, offene und geschlossene Version

Chrome Steel	Part	Art-close	Part	Art-open	Series	d	l	A	B	C	D	E	F	G	H
	826	82605	827	82705	UCFL 204/76,5	20	76,5	56	100	11	33,3	15,5	12	39,4	49
	826	82610	827	82710	UCFL 204	20	90	62	116	11	33,3	16	20	39,9	51,5
	826	82601	827	82701	UCFL 205/90	25	90	71	130	11	38,1	16,8	22,5	40,2	52
	826	82611	827	82711	UCFL 205	25	99	71	130	11	38,1	16,8	22,5	40,2	52
	826	82622	827	82722	UCFL 206/90	30	90	85	116	11	44,5	14,5	20	42,2	55,5
	826	82612	827	82712	UCFL 206	30	117	85	148	11	44,5	20	26	47,7	61,5
	826	82603	827	82703	UCFL 207/117	35	117	93	148	11	55,6	19,5	26	49,9	66,5
	826	82613	827	82713	UCFL 207	35	130	93	162	11	55,6	19,5	26	49,9	66,5
	826	82604	827	82704	UCFL 208/117	40	117	93	148	11	60,3	19	26	53,7	66,5

UCF

Delivery: **Easy** Standard

Componenti

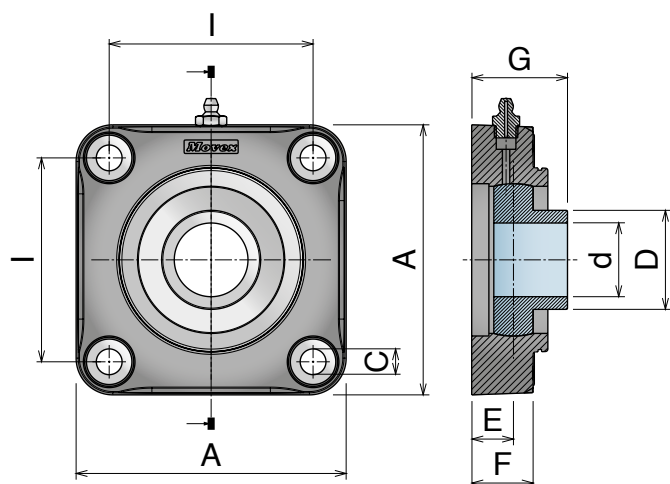
- Sede in poliammide rinforzato, con elevata resistenza meccanica e ottima resistenza contro agenti chimici corrosivi quali acqua, oli, benzina e liquidi contenenti alcool. Tutti i nostri cuscinetti possono essere utilizzati ad una temperatura compresa fra 0°C e +80°C.
- I cuscinetti sono realizzati in acciaio al cromo, disponibili anche, su richiesta, nella versione in acciaio inox. Il cuscinetto all'interno della flangia può essere regolato di 2,5°.
- L'ingrassatore viene realizzato in ferro nichelato, o in acciaio inox nella versione con il cuscinetto in acciaio inox.
- Distanziali realizzati in ottone nichelato per rinforzare il foro di fissaggio.
- Rondella in acciaio inox.

Components

- *Housing in reinforced polyamide, with higher load capacity and good resistance to corrosive chemicals such as water, oils, petrol and alcoholic beverages. All our bearings can be used at temperatures between 0°C and +80°C.*
- *Ball bearings are made in chrome steel. They are also available, upon request, in stainless steel. Max misalignment between shaft and housing: 2.5°.*
- *Grease nipple are made in nickel plated steel, but they can also be made in stainless steel on the stainless steel bearing.*
- *Spacers from nickel plated brass to reinforce fixing holes.*
- *Washer stainless steel.*

Komponenten

- *Gehäuse gefertigt aus verstärktem Polyamid. Dies gewährleistet eine gute Widerstandsfähigkeit gegenüber mechanischen Einflüssen und eine gute Korrosionsbeständigkeit gegenüber Wasser, Ölen, Benzin, Flüssigkeiten mit Alkohol und Chemikalien. Alle unsere Gehäuse-Lagereinheiten können in einem Temperaturbereich von 0°C bis +80°C eingesetzt werden.*
- *Die Lagereinsätze sind aus Chrom-Stahl, auf Anfrage auch in Edelstahl erhältlich. Alle Lager gleichen einen Fluchtungsfehler von bis zu 2,5° selbstständig aus.*
- *Die Schmiernippel sind aus vernickeltem Stahl (aus Edelstahl wenn die Ausführung mit Edelstahl Einsatz gefragt ist).*
- *Alle Distanzstücke sind aus vernickeltem Messing und verstärken die Befestigungsbohrungen.*
- *Alle Unterlegscheiben aus Edelstahl.*



Inserto standard / Standard insert / Standard-Flanschlager

Chrome Steel	Part	Article-Nr.	Series	d	I	A	C	D	E	F	G
	807	80701	UCF 205	25	70	98	11	34	16	22	35,5
	807	80702	UCF 206	30	83	110	11	40,3	17	25	39
	807	80703	UCF 207/83	35	83	110	11	48	20	25	43,5
	807	80713	UCF 207	35	92	118	11	48	20	25	43,5
	807	80704	UCF 208/83	40	83	110	11	53	19,5	25	44,5
	807	80714	UCF 208	40	102	130	11	53	19	25	44



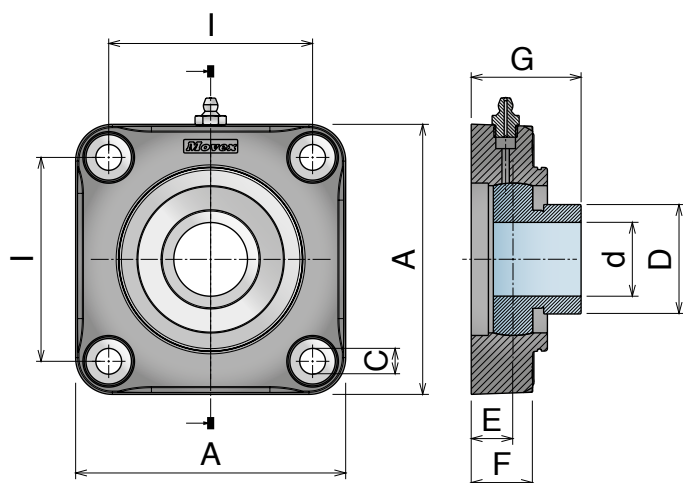
Safety Cap

Article-Nr.
89001
89002
89003
89003
89003
89003

Inserto standard / Standard insert / Standard-Flanschlager

Stainless Steel	Part	Article-Nr.	Series	d	I	A	C	D	E	F	G
	807	80701SS	UCF 205	25	70	98	11	34	16	22	35,5
	807	80702SS	UCF 206	30	83	110	11	40,3	17	25	39
	807	80703SS	UCF 207/83	35	83	110	11	48	20	25	43,5
	807	80713SS	UCF 207	35	92	118	11	48	20	25	43,5
	807	80704SS	UCF 208/83	40	83	110	11	53	19,5	25	44,5
	807	80714SS	UCF 208	40	102	130	11	53	19	25	44

Article-Nr.
89001
89002
89003
89003
89003
89003



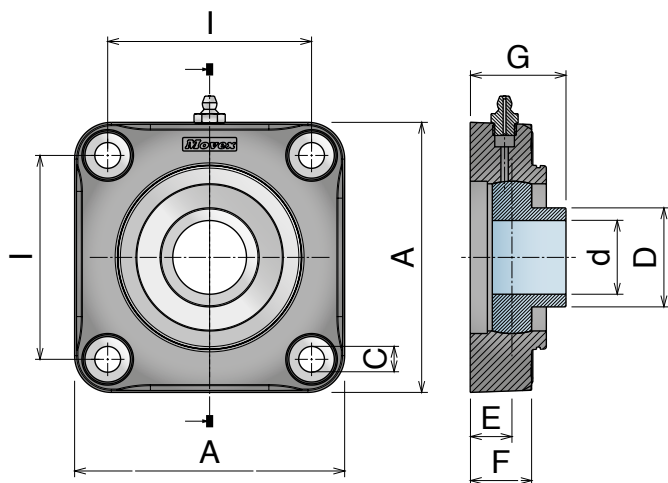
Inserto con ghiera eccentrica / Insert with locking collar / Flanschlager mit Exzenter-Klemmring

Chrome Steel	Part	Article-Nr.	Series	d	I	A	C	D	E	F	G
	808	80801	UCF 205	25	70	98	11	38,1	16	22	39,4
	808	80802	UCF 206	30	83	110	11	44,5	17	25	44,7
	808	80803	UCF 207/83	35	83	110	11	55,6	20	25	50,4
	808	80813	UCF 207	35	92	118	11	55,6	20	25	50,4
	808	80804	UCF 208/83	40	83	110	11	60,3	19,5	25	54,2
	808	80814	UCF 208	40	102	130	11	60,3	19	25	53,7



Safety Cap

Article-Nr.
89001
89002
89003
89003
89003
89003

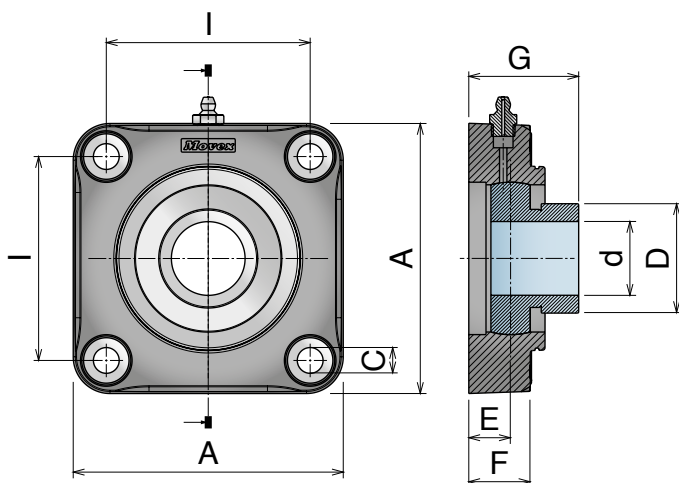


Inserto standard / Standard insert / Standard-Flanschlager

Chrome Steel	Part	Article-Nr.	Series	d	I	A	C	D	E	F	G	Article-Nr.
	828	82801	UCF 205	25	70	98	11	34	16	22	35,5	89001
	828	82802	UCF 206	30	83	110	11	40,3	17	25	39	89002
	828	82813	UCF 207	35	92	118	11	48	20	25	43,5	89003
	828	82804	UCF 208/83	40	83	110	11	53	19,5	25	44,5	89003

Inserto standard / Standard insert / Standard-Flanschlager

Stainless Steel	Part	Article-Nr.	Series	d	I	A	C	D	E	F	G	Article-Nr.
	828	82801SS	UCF 205	25	70	98	11	34	16	22	35,5	89001
	828	82802SS	UCF 206	30	83	110	11	40,3	17	25	39	89002
	828	82813SS	UCF 207	35	92	118	11	48	20	25	43,5	89003
	828	82804SS	UCF 208/83	40	83	110	11	53	19,5	25	44,5	89003



Inserto con ghiera eccentrica / Insert with locking collar / Flanschlager mit Exzenter-Klemmring

Chrome Steel	Part	Article-Nr.	Series	d	I	A	C	D	E	F	G	Article-Nr.
	829	82901	UCF 205	25	70	98	11	38,1	16	22	39,4	89001
	829	82902	UCF 206	30	83	110	11	44,5	17	25	44,7	89002
	829	82913	UCF 207	35	92	118	11	55,6	20	25	50,4	89003
	829	82904	UCF 208/83	40	83	110	11	60,3	19,5	25	54,2	89003

UCF

Delivery: **Easy** Standard

Componenti

• Sede in poliammide rinforzato, con elevata resistenza meccanica e ottima resistenza contro agenti chimici corrosivi quali acqua, oli, benzina e liquidi contenenti alcool. Tutti i nostri cuscinetti possono essere utilizzati ad una temperatura compresa fra 0°C e +80°C.

• I cuscinetti sono realizzati in acciaio al cromo, disponibili anche, su richiesta, nella versione in acciaio inox.

Il cuscinetto all'interno della flangia può essere regolato di 2,5°.

• L'ingrassatore viene realizzato in ferro nichelato, o in acciaio inox nella versione con il cuscinetto in acciaio inox.

• Distanziali realizzati in ottone nichelato per rinforzare il foro di fissaggio.

• Rondella in acciaio inox.

• Coperchio di sicurezza in PP.

• Anello di tenuta in gomma NBR.

• O-ring in NBR rubber.

Components

• *Housing in reinforced polyamide, with higher load capacity and good resistance to corrosive chemicals such as water, oils, petrol and alcoholic beverages.*

All our bearings can be used at temperatures between 0°C and +80°C.

• *Ball bearings are made in chrome steel. They are also available, upon request, in stainless steel. Max misalignment between shaft and housing: 2.5°.*

• *Grease nipple are made in nickel plated steel, but they can also be made in stainless steel on the stainless steel bearing.*

• *Spacers from nickel plated brass to reinforce fixing holes.*

• *Washer stainless steel.*

• *Clip-on safety cap in PP.*

• *Rotary shaft seal ring in NBR rubber.*

• *O-ring in NBR rubber.*

Komponenten

• *Gehäuse gefertigt aus verstärktem Polyamid. Dies gewährleistet eine gute Widerstandsfähigkeit gegenüber mechanischen Einflüssen und eine gute Korrosionsbeständigkeit gegenüber Wasser, Ölen, Benzin, Flüssigkeiten mit Alkohol und Chemikalien. Alle unsere Gehäuse-Lagereinheiten können in einem Temperaturbereich von 0°C bis +80°C eingesetzt werden.*

• *Die Lagereinsätze sind aus Chrom-Stahl, auf Anfrage auch in Edelstahl erhältlich. Alle Lager gleichen eine Fluchtungsfehler von bis zu 2,5° selbstständig aus.*

• *Die Schmiernippel sind aus vernickeltem Stahl (aus Edelstahl wenn die Ausführung mit Edelstahl Einsatz gefragt ist).*

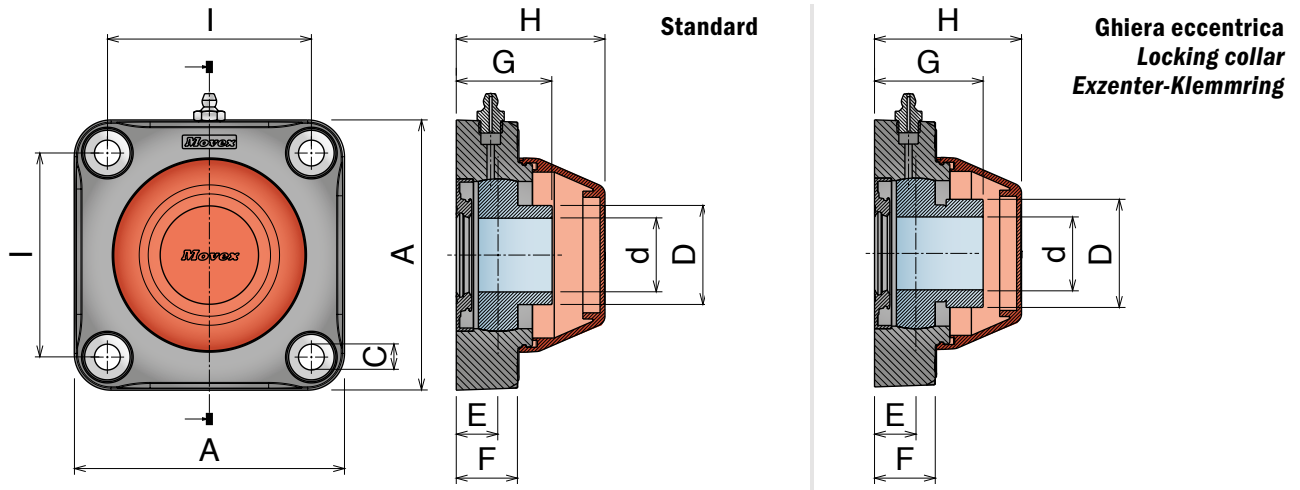
• *Alle Distanzstücke sind aus vernickeltem Messing und verstärkten die Befestigungsbohrungen.*

• *Alle Unterlegscheiben aus Edelstahl.*

• *Schutzkappe aus PP.*

• *Dichtringe aus NBR-Gummi.*

• *O-Ringe aus NBR-Gummi.*



Inserto standard, con guarnizioni, versione aperta e chiusa

Standard insert, sealed, open and close version/Standard-Flanschlager, abgedichtet, offene und geschlossene Version

Chrome Steel	Part	Art-close	Part	Art-open	Series	d	I	A	C	D	E	F	G	H
	809	80901	810	81001	UCF 205	25	70	98	11	34	16	22	35,5	51,5
809	80902	810	81002	UCF 206	30	83	110	11	40,3	17	25	39	60,5	
809	80903	810	81003	UCF 207/83	35	83	110	11	48	20	25	43,5	65,5	
809	80913	810	81013	UCF 207	35	92	118	11	48	20	25	43,5	65,5	
809	80904	810	81004	UCF 208/83	40	83	110	11	53	19,5	25	44,5	65,5	
809	80914	810	81014	UCF 208	40	102	130	11	53	19	25	44	65,5	

Inserto standard, con guarnizioni, versione aperta e chiusa

Standard insert, sealed, open and close version/Standard-Flanschlager, abgedichtet, offene und geschlossene Version

Stainless Steel	Part	Art-close	Part	Art-open	Series	d	I	A	C	D	E	F	G	H
	809	80901SS	810	81001SS	UCF 205	25	70	98	11	34	16	22	35,5	51,5
809	80902SS	810	81002SS	UCF 206	30	83	110	11	40,3	17	25	39	60,5	
809	80903SS	810	81003SS	UCF 207/83	35	83	110	11	48	20	25	43,5	65,5	
809	80913SS	810	81013SS	UCF 207	35	92	118	11	48	20	25	43,5	65,5	
809	80904SS	810	81004SS	UCF 208/83	40	83	110	11	53	19,5	25	44,5	65,5	
809	80914SS	810	81014SS	UCF 208	40	102	130	11	53	19	25	44	65,5	

Inserto "Long life", con guarnizioni, versione aperta e chiusa

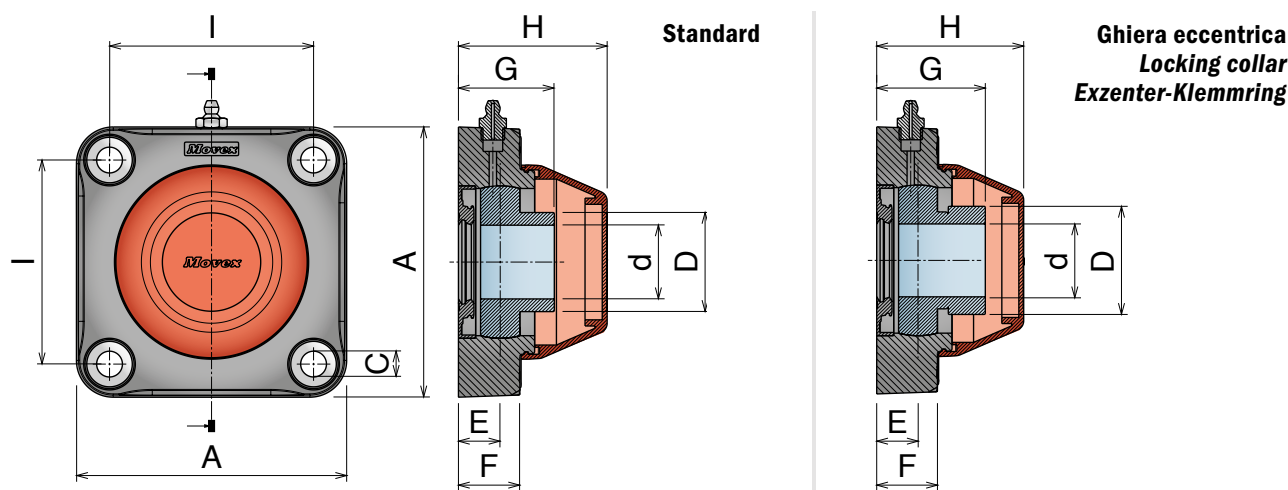
"Long life" insert, sealed, open and close version/"Long life"-Flanschlager, abgedichtet, offene und geschlossene Version

"Long life"	Part	Art-close	Part	Art-open	Series	d	I	A	C	D	E	F	G	H
	809	80901L	810	81001L	UCF 205	25	70	98	11	34	16	22	35,5	51,5
809	80902L	810	81002L	UCF 206	30	83	110	11	40,3	17	25	39	60,5	
809	80903L	810	81003L	UCF 207/83	35	83	110	11	48	20	25	43,5	65,5	
809	80913L	810	81013L	UCF 207	35	92	118	11	48	20	25	43,5	65,5	
809	80904L	810	81004L	UCF 208/83	40	83	110	11	53	19,5	25	44,5	65,5	
809	80914L	810	81014L	UCF 208	40	102	130	11	53	19	25	44	65,5	

Inserto con ghiera eccentrica, guarnizioni, versione aperta e chiusa

Insert with locking collar, sealed, open and close version/Flanschlager mit Exzenter-Klemmring, abgedichtet, offene und geschlossene Version

Chrome Steel	Part	Art-close	Part	Art-open	Series	d	I	A	C	D	E	F	G	H
	811	81101	812	81201	UCF 205	25	70	98	11	38,1	16	22	39,4	51,5
811	81102	812	81202	UCF 206	30	83	110	11	44,5	17	25	44,7	60,5	
811	81103	812	81203	UCF 207/83	35	83	110	11	55,6	20	25	50,4	65,5	
811	81113	812	81213	UCF 207	35	92	118	11	55,6	20	25	50,4	65,5	
811	81104	812	81204	UCF 208/83	40	83	110	11	60,3	19,5	25	54,2	65,5	
811	81114	812	81214	UCF 208	40	102	130	11	60,3	19	25	53,7	65,5	



Inserto standard, con guarnizioni, versione aperta e chiusa

Standard insert, sealed, open and close version/Standard-Flanschlager, abgedichtet, offene und geschlossene Version

Chrome Steel	Part	Art-close	Part	Art-open	Series	d	I	A	C	D	E	F	G	H
	830	83001	831	83101	UCF 205	25	70	98	11	34	16	22	35,5	51,5
	830	83002	831	83102	UCF 206	30	83	110	11	40,3	17	25	39	60,5
	830	83013	831	83113	UCF 207	35	92	118	11	48	20	25	43,5	65,5
	830	83004	831	83104	UCF 208/83	40	83	110	11	53	19,5	25	44,5	65,5

Inserto standard, con guarnizioni, versione aperta e chiusa

Standard insert, sealed, open and close version/Standard-Flanschlager, abgedichtet, offene und geschlossene Version

Stainless Steel	Part	Art-close	Part	Art-open	Series	d	I	A	C	D	E	F	G	H
	830	83001SS	831	83101SS	UCF 205	25	70	98	11	34	16	22	35,5	51,5
	830	83002SS	831	83102SS	UCF 206	30	83	110	11	40,3	17	25	39	60,5
	830	83013SS	831	83113SS	UCF 207	35	92	118	11	48	20	25	43,5	65,5
	830	83004SS	831	83104SS	UCF 208/83	40	83	110	11	53	19,5	25	44,5	65,5

Inserto "Long life", con guarnizioni, versione aperta e chiusa

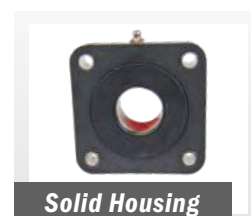
"Long life" insert, sealed, open and close version/"Long life"-Flanschlager, abgedichtet, offene und geschlossene Version

"Long life"	Part	Art-close	Part	Art-open	Series	d	I	A	C	D	E	F	G	H
	830	83001L	831	83101L	UCF 205	25	70	98	11	34	16	22	35,5	51,5
	830	83002L	831	83102L	UCF 206	30	83	110	11	40,3	17	25	39	60,5
	830	83013L	831	83113L	UCF 207	35	92	118	11	48	20	25	43,5	65,5
	830	83004L	831	83104L	UCF 208/83	40	83	110	11	53	19,5	25	44,5	65,5

Inserto con ghiera eccentrica, guarnizioni, versione aperta e chiusa

Insert with locking collar, sealed, open and close version/Flanschlager mit Exzenter-Klemmring, abgedichtet, offene und geschlossene Version

Chrome Steel	Part	Art-close	Part	Art-open	Series	d	I	A	C	D	E	F	G	H
	832	83201	833	83301	UCF 205	25	70	98	11	38,1	16	22	39,4	51,5
	832	83202	833	83302	UCF 206	30	83	110	11	44,5	17	25	44,7	60,5
	832	83213	833	83313	UCF 207	35	92	118	11	55,6	20	25	50,4	65,5
	832	83204	833	83304	UCF 208/83	40	83	110	11	60,3	19,5	25	54,2	65,5



Solid Housing

UCFA

Solid Housing

Delivery: **Easy** Standard

Componenti

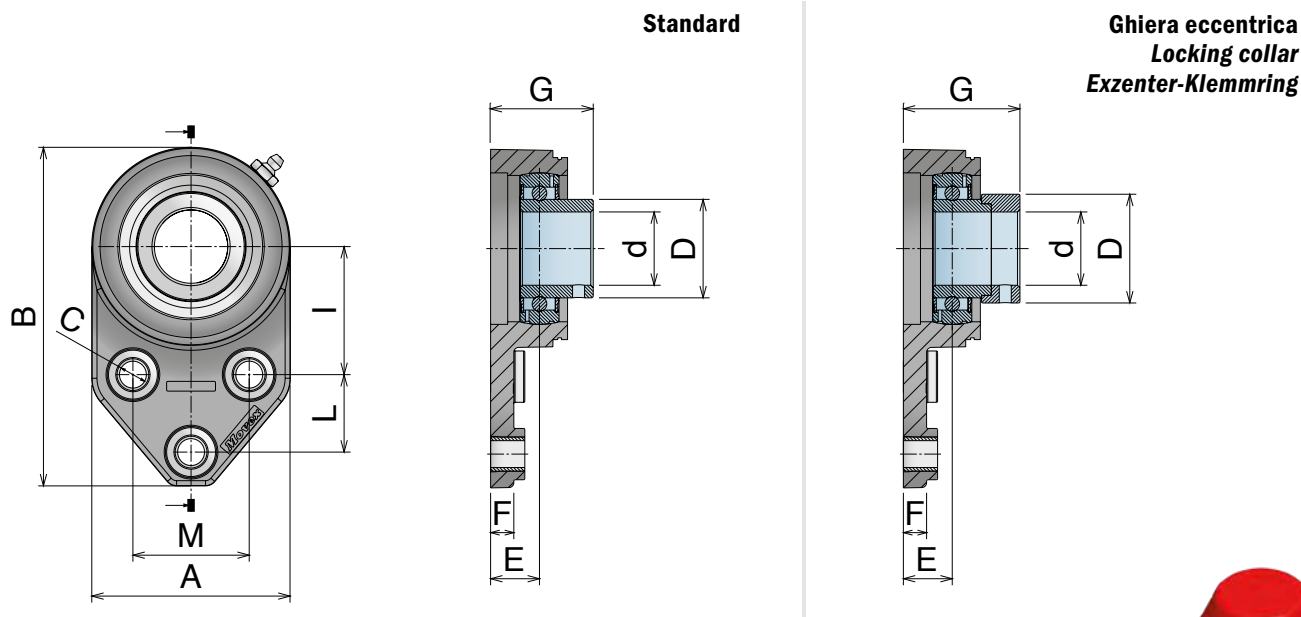
- Sede in poliammide rinforzato, con elevata resistenza meccanica e ottima resistenza contro agenti chimici corrosivi quali acqua, oli, benzina e liquidi contenenti alcool. Tutti i nostri cuscinetti possono essere utilizzati ad una temperatura compresa fra 0°C e +80°C.
- I cuscinetti sono realizzati in acciaio al cromo, disponibili anche, su richiesta, nella versione in acciaio inox. Il cuscinetto all'interno della flangia può essere regolato di 2,5°.
- L'ingrassatore viene realizzato in ferro nichelato, o in acciaio inox nella versione con il cuscinetto in acciaio inox.
- Distanziali realizzati in ottone nichelato per rinforzare il foro di fissaggio.
- Rondella in acciaio inox.

Components

- *Housing in reinforced polyamide, with higher load capacity and good resistance to corrosive chemicals such as water, oils, petrol and alcoholic beverages. All our bearings can be used at temperatures between 0°C and +80°C.*
- *Ball bearings are made in chrome steel. They are also available, upon request, in stainless steel. Max misalignment between shaft and housing: 2.5°.*
- *Grease nipple are made in nickel plated steel, but they can also be made in stainless steel on the stainless steel bearing.*
- *Spacers from nickel plated brass to reinforce fixing holes.*
- *Washer stainless steel.*

Komponenten

- *Gehäuse gefertigt aus verstärktem Polyamid. Dies gewährleistet eine gute Widerstandsfähigkeit gegenüber mechanischen Einflüssen und eine gute Korrosionsbeständigkeit gegenüber Wasser, Ölen, Benzin, Flüssigkeiten mit Alkohol und Chemikalien. Alle unsere Gehäuse-Lagereinheiten können in einem Temperaturbereich von 0°C bis +80°C eingesetzt werden.*
- *Die Lagereinsätze sind aus Chrom-Stahl, auf Anfrage auch in Edelstahl erhältlich. Alle Lager gleichen einen Fluchtungsfehler von bis zu 2,5° selbstständig aus.*
- *Die Schmiernippel sind aus vernickeltem Stahl (aus Edelstahl wenn die Ausführung mit Edelstahl Einsatz gefragt ist).*
- *Alle Distanzstücke sind aus vernickeltem Messing und verstärken die Befestigungsbohrungen.*
- *Alle Unterlegscheiben aus Edelstahl.*



Inserto standard / Standard insert / Standard-Flanschlager

Chrome Steel	Part	Article-Nr.	Series	d	l	A	C	D	L	M	B	E	F	G	Article-Nr.
	834	83400	UCFA 204	20	46	68,8	11	29	28,6	41,3	124,2	16,4	14	34,4	89001
	834	83401	UCFA 205	25	46	68,8	11	34	28,6	41,3	124,2	17,8	14	37,3	89001
	834	83402	UCFA 206	30	52,4	81,3	11	40,3	31,7	47,6	138,6	20	9,5	42	89002

Inserto standard / Standard insert / Standard-Flanschlager

Stainless Steel	Part	Article-Nr.	Series	d	l	A	C	D	L	M	B	E	F	G	Article-Nr.
	834	83400SS	UCFA 204	20	46	68,8	11	29	28,6	41,3	124,2	16,4	14	34,4	89001
	834	83401SS	UCFA 205	25	46	68,8	11	34	28,6	41,3	124,2	17,8	14	37,3	89001
	834	83402SS	UCFA 206	30	52,4	81,3	11	40,3	31,7	47,6	138,6	20	14	42	89002

Inserto con ghiera eccentrica / Insert with locking collar / Flanschlager mit Exzenter-Klemmring

Chrome Steel	Part	Article-Nr.	Series	d	l	A	C	D	L	M	B	E	F	G	Article-Nr.
	835	83500	UCFA 204	20	46	68,8	11	33,3	28,6	41,3	124,2	16,4	14	40,3	89001
	835	83501	UCFA 205	25	46	68,8	11	38,1	28,6	41,3	124,2	17,8	14	41,2	89001
	835	83502	UCFA 206	30	52,4	81,3	11	44,5	31,7	47,6	138,6	20	14	47,7	89002

UCFA

Solid Housing

**Componenti**

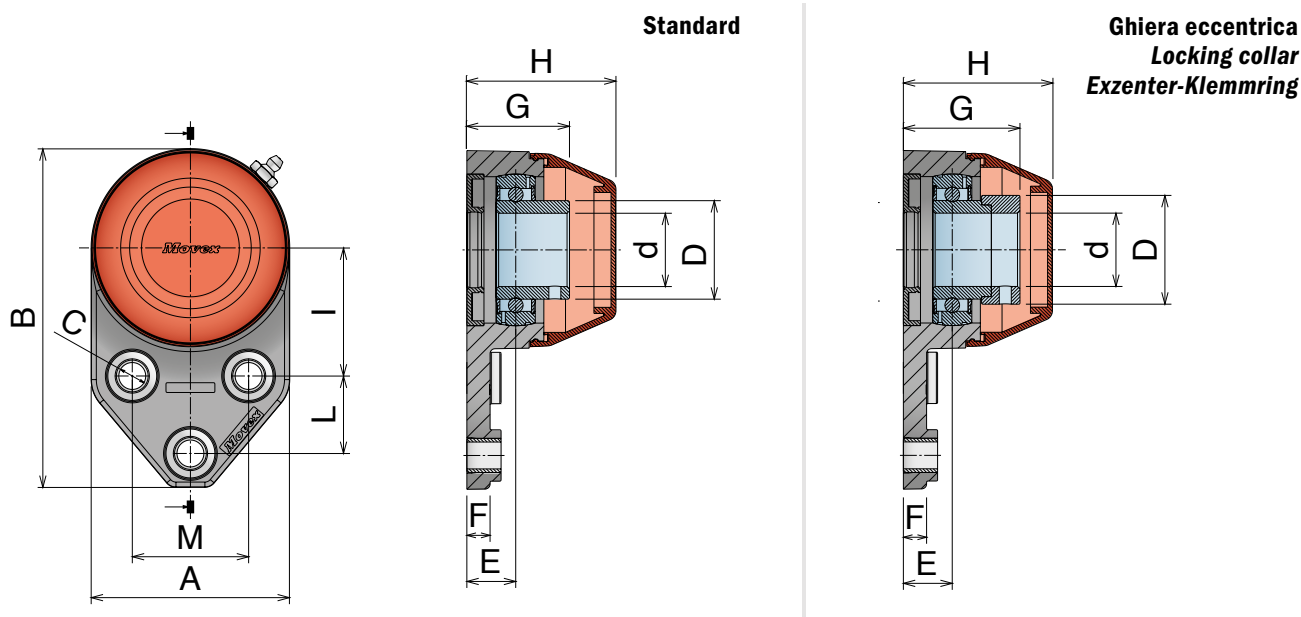
- Sede in poliammide rinforzato, con elevata resistenza meccanica e ottima resistenza contro agenti chimici corrosivi quali acqua, oli, benzina e liquidi contenenti alcool. Tutti i nostri cuscinetti possono essere utilizzati ad una temperatura compresa fra 0°C e +80°C.
- I cuscinetti sono realizzati in acciaio al cromo, disponibili anche, su richiesta, nella versione in acciaio inox. Il cuscinetto all'interno della flangia può essere regolato di 2,5°.
- L'ingrassatore viene realizzato in ferro nichelato, o in acciaio inox nella versione con il cuscinetto in acciaio inox.
- Distanziali realizzati in ottone nichelato per rinforzare il foro di fissaggio.
- Rondella in acciaio inox.
- Coperchio di sicurezza in PP.
- Anello di tenuta in gomma NBR.
- O-ring in NBR rubber.

Components

- *Housing in reinforced polyamide, with higher load capacity and good resistance to corrosive chemicals such as water, oils, petrol and alcoholic beverages. All our bearings can be used at temperatures between 0°C and +80°C.*
- *Ball bearings are made in chrome steel. They are also available, upon request, in stainless steel. Max misalignment between shaft and housing: 2.5°.*
- *Grease nipple are made in nickel plated steel, but they can also be made in stainless steel on the stainless steel bearing.*
- *Spacers from nickel plated brass to reinforce fixing holes.*
- *Washer stainless steel.*
- *Clip-on safety cap in PP.*
- *Rotary shaft seal ring in NBR rubber.*
- *O-ring in NBR rubber.*

Komponenten

- *Gehäuse gefertigt aus verstärktem Polyamid. Dies gewährleistet eine gute Widerstandsfähigkeit gegenüber mechanischen Einflüssen und eine gute Korrosionsbeständigkeit gegenüber Wasser, Ölen, Benzin, Flüssigkeiten mit Alkohol und Chemikalien. Alle unsere Gehäuse-Lagereinheiten können in einem Temperaturbereich von 0°C bis +80°C eingesetzt werden.*
- *Die Lagereinsätze sind aus Chrom-Stahl, auf Anfrage auch in Edelstahl erhältlich. Alle Lager gleichen eine Fluchtungsfehler von bis zu 2,5° selbstständig aus.*
- *Die Schmiernippel sind aus vernickeltem Stahl (aus Edelstahl wenn die Ausführung mit Edelstahl Einsatz gefragt ist).*
- *Alle Distanzstücke sind aus vernickeltem Messing und verstärkten die Befestigungsbohrungen.*
- *Alle Unterlegscheiben aus Edelstahl.*
- *Schutzkappe aus PP*
- *Dichtringe aus NBR-Gummi*
- *O-Ringe aus NBR-Gummi*



Inserto standard, con guarnizioni, versione aperta e chiusa

Standard insert, sealed, open and close version/Standard-Flanschlager, abgedichtet, offene und geschlossene Version

Chrome Steel	Part	Art-close	Part	Art-open	Series	d	I	A	C	D	L	M	B	E	F	G	H
	836	83600	837	83700	UCF 204	20	46	68,8	11	29	28,6	41,3	124,2	16,4	14	34,4	51,8
836	83601	837	83701	UCF 205	25	46	68,8	11	34	28,6	41,3	124,2	17,8	14	37,3	51,8	
836	83602	837	83702	UCF 206	30	52,4	81,3	11	40,3	31,7	47,6	138,6	20	14	42	61	

Inserto standard, con guarnizioni, versione aperta e chiusa

Standard insert, sealed, open and close version/Standard-Flanschlager, abgedichtet, offene und geschlossene Version

Stainless Steel	Part	Art-close	Part	Art-open	Series	d	I	A	C	D	L	M	B	E	F	G	H
	836	83600SS	837	83700SS	UCF 204	20	46	68,8	11	29	28,6	41,3	124,2	16,4	14	34,4	51,8
836	83601SS	837	83701SS	UCF 205	25	46	68,8	11	34	28,6	41,3	124,2	17,8	14	37,3	51,8	
836	83602SS	837	83702SS	UCF 206	30	52,4	81,3	11	40,3	31,7	47,6	138,6	20	14	42	61	

Inserto "Long life", con guarnizioni, versione aperta e chiusa

"Long life" insert, sealed, open and close version/"Long life"-Flanschlager, abgedichtet, offene und geschlossene Version

"Long life"	Part	Art-close	Part	Art-open	Series	d	I	A	C	D	L	M	B	E	F	G	H
	836	83600L	837	83700L	UCF 204	20	46	68,8	11	29	28,6	41,3	124,2	16,4	14	34,4	51,8
836	83601L	837	83701L	UCF 205	25	46	68,8	11	34	28,6	41,3	124,2	17,8	14	37,3	51,8	
836	83602L	837	83702L	UCF 206	30	52,4	81,3	11	40,3	31,7	47,6	138,6	20	14	42	61	

Inserto con ghiera eccentrica, guarnizioni, versione aperta e chiusa

Insert with locking collar, sealed, open and close version/Flanschlager mit Exzenter-Klemmring, abgedichtet, offene und geschlossene Version

Chrome Steel	Part	Art-close	Part	Art-open	Series	d	I	A	C	D	L	M	B	E	F	G	H
	838	83800	839	83900	UCF 204	20	46	68,8	11	33,3	28,6	41,3	124,2	16,4	14	40,3	51,8
838	83801	839	83901	UCF 205	25	46	68,8	11	38,1	28,6	41,3	124,2	17,8	14	41,2	51,8	
838	83802	839	83902	UCF 206	30	52,4	81,3	11	44,5	31,7	47,6	138,6	20	14	47,7	61	

UCFL-H/UCF-H

Cover in Stainless steel



Componenti

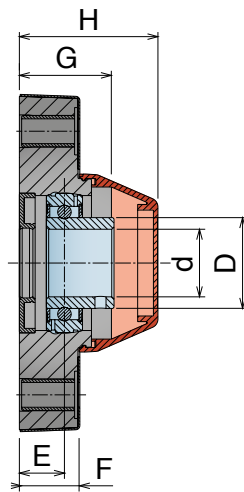
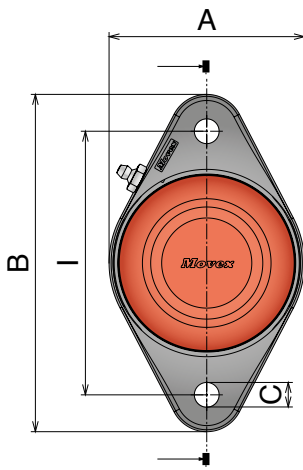
- Sede in poliammide rinforzato, con elevata resistenza meccanica e ottima resistenza contro agenti chimici corrosivi quali acqua, oli, benzina e liquidi contenenti alcool. Tutti i nostri cuscinetti possono essere utilizzati ad una temperatura compresa fra 0°C e +80°C.
- I cuscinetti sono realizzati in acciaio al cromo, disponibili anche, su richiesta, nella versione in acciaio inox. Il cuscinetto all'interno della flangia può essere regolato di 2,5°.
- L'ingrassatore viene realizzato in ferro nichelato, o in acciaio inox nella versione con il cuscinetto in acciaio inox.
- Distanziali realizzati in ottone nichelato per rinforzare il foro di fissaggio.
- Rondella in acciaio inox.
- Coperchio di sicurezza in PP.
- **"Cover"** in acciaio inox.

Components

- *Housing in reinforced polyamide, with higher load capacity and good resistance to corrosive chemicals such as water, oils, petrol and alcoholic beverages. All our bearings can be used at temperatures between 0°C and +80°C.*
- *Ball bearings are made in chrome steel. They are also available, upon request, in stainless steel. Max misalignment between shaft and housing: 2.5°.*
- *Grease nipple are made in nickel plated steel, but they can also be made in stainless steel on the stainless steel bearing.*
- *Spacers from nickel plated brass to reinforce fixing holes.*
- *Washer stainless steel.*
- **"Cover"** in stainless steel

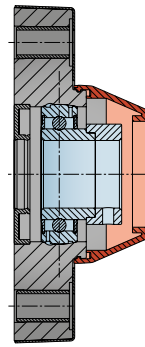
Komponenten

- *Gehäuse gefertigt aus verstärktem Polyamid. Dies gewährleistet eine gute Widerstandsfähigkeit gegenüber mechanischen Einflüssen und eine gute Korrosionsbeständigkeit gegenüber Wasser, Ölen, Benzin, Flüssigkeiten mit Alkohol und Chemikalien. Alle unsere Gehäuse-Lagereinheiten können in einem Temperaturbereich von 0°C bis +80°C eingesetzt werden.*
- *Die Lagereinsätze sind aus Chrom-Stahl, auf Anfrage auch in Edelstahl erhältlich. Alle Lager gleichen eine Fluchtungsfehler von bis zu 2,5° selbstständig aus.*
- *Die Schmiernippel sind aus vernickeltem Stahl (aus Edelstahl wenn die Ausführung mit Edelstahl Einsatz gefragt ist).*
- *Alle Distanzstücke sind aus vernickeltem Messing und verstärkten die Befestigungsbohrungen.*
- *Alle Unterlegscheiben aus Edelstahl.*
- *Gehäuseabdeckung aus Edelstahl.*



Standard

Ghiera eccentrica
Locking collar
Exzenter-Klemmring



Solid Housing

Inserto standard, con guarnizioni, versione aperta e chiusa / Standard insert, sealed, open and close version / Standard-Flanschlager, abgedichtet, offene und geschlossene Version

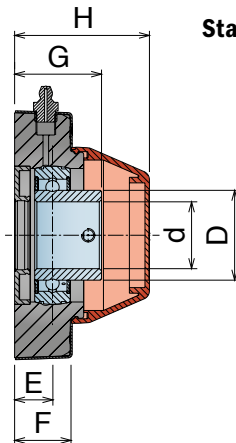
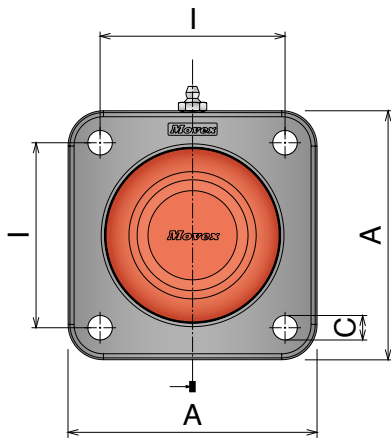
Chrome Steel	Part	Art-close	Part	Art-open	Series	d	I	A	B	C	D	E	F	G	H
	824	82412H	825	82512H	UCFL-H 206	30	117	86,7	149,7	11	40,3	20	26,85	42	61,5
824	82403H	825	82503H	UCFL-H 207/117	35	117	94,7	149,7	11	48	19,5	26	43	66,5	
824	82404H	825	82504H	UCFL-H 208/117	40	117	94,7	149,7	11	53	19	26,85	44	67	

Inserto "long life", con guarnizioni, versione aperta e chiusa / "Long life" insert, sealed, open and close version / "Long Life"-Flanschlager, abgedichtet, offene und geschlossene Version

"Long life"	Part	Art-close	Part	Art-open	Series	d	I	A	B	C	D	E	F	G	H
	824	82412LH	825	82512LH	UCFL-H 206	30	117	86,7	149,7	11	40,3	20	26,85	42	61,5
824	82403LH	825	82503LH	UCFL-H 207/117	35	117	94,7	149,7	11	48	19,5	26	43	66,5	
824	82404LH	825	82504LH	UCFL-H 208/117	40	117	94,7	149,7	11	53	19	26,85	44	67	

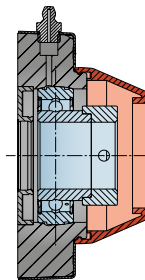
Inserto con ghiera eccentrica, guarnizioni, versione aperta e chiusa / Insert with locking collar, sealed, open and close version / Flanschlager mit Exzenter-Klemmring, abgedichtet, offene und geschlossene Version

Chrome Steel	Part	Art-close	Part	Art-open	Series	d	I	A	B	C	D	E	F	G	H
	826	82612H	827	82712H	UCFL-H 206	30	117	86,7	149,7	11	44,5	20	26,85	47,7	61,5
826	82603H	827	82703H	UCFL-H 207/117	35	117	94,7	149,7	11	55,6	19,5	26	49,9	66,5	
826	82604H	827	82704H	UCFL-H 208/117	40	117	94,7	149,7	11	60,3	19	26,85	54	67	



Standard

Ghiera eccentrica
Locking collar
Exzenter-Klemmring



Solid Housing

Inserto standard, con guarnizioni, versione aperta e chiusa / Standard insert, sealed, open and close version / Standard-Flanschlager, abgedichtet, offene und geschlossene Version

Chrome Steel	Part	Art-close	Part	Art-open	Series	d	I	A	C	D	E	F	G	H
	830	83002H	831	83102H	UCF-H 206	30	83	111,7	11	40,3	17	25	39	60,5
830	83004H	831	83104H	UCF-H 208/83	40	83	111,7	11	53	19,5	25	44,5	65,5	

Inserto "long life", con guarnizioni, versione aperta e chiusa / "Long life" insert, sealed, open and close version / "Long Life"-Flanschlager, abgedichtet, offene und geschlossene Version

"Long life"	Part	Art-close	Part	Art-open	Series	d	I	A	C	D	E	F	G	H
	830	83002LH	831	83102LH	UCF-H 206	30	83	111,7	11	40,3	17	25	39	60,5
830	83004LH	831	83104LH	UCF-H 208/83	40	83	111,7	11	53	19,5	25	44,5	65,5	

Inserto con ghiera eccentrica, guarnizioni, versione aperta e chiusa / Insert with locking collar, sealed, open and close version / Flanschlager mit Exzenter-Klemmring, abgedichtet, offene und geschlossene Version

Chrome Steel	Part	Art-close	Part	Art-open	Series	d	I	A	C	D	E	F	G	H
	832	83202H	833	83302H	UCF-H 206	30	83	111,7	11	44,5	17	25	47,7	60,5
832	83204H	833	83304H	UCF-H 208/83	40	83	111,7	11	60,3	19,5	25	54,2	65,5	

CL/CS

External housing in Stainless steel

Delivery: **Easy** Standard**Componenti**

• Sede in poliammide rinforzato, con elevata resistenza meccanica e ottima resistenza contro agenti chimici corrosivi quali acqua, oli, benzina e liquidi contenenti alcool. Tutti i nostri cuscinetti possono essere utilizzati ad una temperatura compresa fra 0°C e +80°C.

• I cuscinetti sono realizzati in acciaio al cromo, disponibili anche, su richiesta, nella versione in acciaio inox.

Il cuscinetto all'interno della flangia può essere regolato di 2,5°.

• L'ingrassatore viene realizzato in ferro nichelato, o in acciaio inox nella versione con il cuscinetto in acciaio inox.

• Distanziali realizzati in ottone nichelato per rinforzare il foro di fissaggio.

• Rondella in acciaio inox.

• Coperchio di sicurezza in PP.

• **"Cover"** in acciaio inox.

Components

• *Housing in reinforced polyamide, with higher load capacity and good resistance to corrosive chemicals such as water, oils, petrol and alcoholic beverages.*

All our bearings can be used at temperatures between 0°C and +80°C.

• *Ball bearings are made in chrome steel. They are also available, upon request, in stainless steel. Max misalignment between shaft and housing: 2.5°.*

• *Grease nipple are made in nickel plated steel, but they can also be made in stainless steel on the stainless steel bearing.*

• *Spacers from nickel plated brass to reinforce fixing holes.*

• *Washer stainless steel.*

• **"Cover"** in stainless steel

Komponenten

• *Gehäuse gefertigt aus verstärktem Polyamid. Dies gewährleistet eine gute Widerstandsfähigkeit gegenüber mechanischen Einflüssen und eine gute Korrosionsbeständigkeit gegenüber Wasser, Ölen, Benzin, Flüssigkeiten mit Alkohol und Chemikalien. Alle unsere Gehäuse-Lagereinheiten können in einem Temperaturbereich von 0°C bis +80°C eingesetzt werden.*

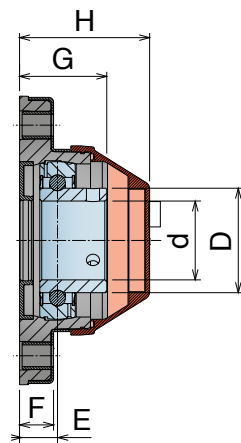
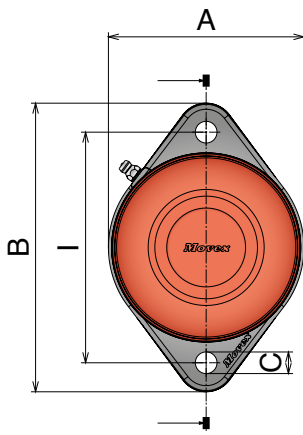
• *Die Lagereinsätze sind aus Chrom-Stahl, auf Anfrage auch in Edelstahl erhältlich. Alle Lager gleichen eine Fluchtungsfehler von bis zu 2,5° selbstständig aus.*

• *Die Schmiernippel sind aus vernickeltem Stahl (aus Edelstahl wenn die Ausführung mit Edelstahl Einsatz gefragt ist).*

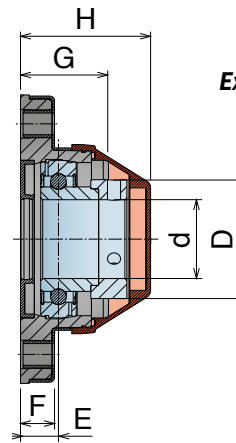
• *Alle Distanzstücke sind aus vernickeltem Messing und verstärkten die Befestigungsbohrungen.*

• *Alle Unterlegscheiben aus Edelstahl.*

• **"Cover"** aus Edelstahl.



Standard



Ghiera eccentrica
Locking collar
Exzenter-Klemmring

Solid Housing

Inserto standard, con guarnizioni, versione aperta e chiusa / Standard insert, sealed, open and close version / Standard-Flanschlager, abgedichtet, offene und geschlossene Version

Chrome Steel	Part	Art-close	Part	Art-open	Series	d	l	A	B	C	D	E	F	G	H
	845	84504	846	84604	CL 208	40	117	99	146,5	11	53	18,5	16,5	43	66

Inserto standard, con guarnizioni, versione aperta e chiusa / Standard insert, sealed, open and close version / Standard-Flanschlager, abgedichtet, offene und geschlossene Version

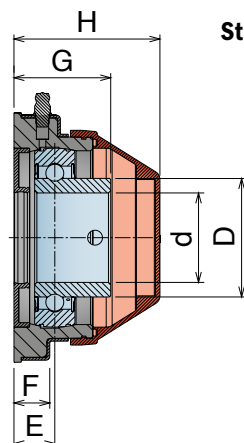
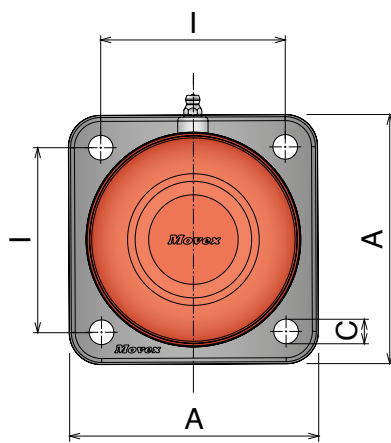
Stainless Steel	Part	Art-close	Part	Art-open	Series	d	l	A	B	C	D	E	F	G	H
	845	84504SS	846	84604SS	CL 208	40	117	99	146,5	11	53	18,5	16,5	43	66

Inserto "long life", con guarnizioni, versione aperta e chiusa / "Long life" insert, sealed, open and close version / "Long Life"-Flanschlager, abgedichtet, offene und geschlossene Version

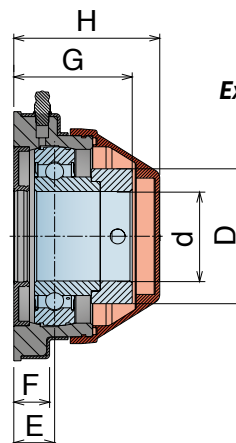
"Long life"	Part	Art-close	Part	Art-open	Series	d	l	A	B	C	D	E	F	G	H
	845	84504L	846	84604L	CL 208	40	117	99	146,5	11	53	18,5	16,5	43	66

Inserto con ghiera eccentrica, guarnizioni, versione aperta e chiusa / Insert with locking collar, sealed, open and close version / Flanschlager mit Exzenter-Klemmring, abgedichtet, offene und geschlossene Version

Chrome Steel	Part	Art-close	Part	Art-open	Series	d	l	A	B	C	D	E	F	G	H
	847	84704	848	84804	CL 208	40	117	99	146,5	11	60,3	18,5	16,5	43	66



Standard



Ghiera eccentrica
Locking collar
Exzenter-Klemmring

Solid Housing

Inserto standard, con guarnizioni, versione aperta e chiusa / Standard insert, sealed, open and close version / Standard-Flanschlager, abgedichtet, offene und geschlossene Version

Chrome Steel	Part	Art-close	Part	Art-open	Series	d	l	A	C	D	E	F	G	H
	849	84904	850	85004	CS 208	40	82,5	111	11	53	18,5	16,5	43	66

Inserto standard, con guarnizioni, versione aperta e chiusa / Standard insert, sealed, open and close version / Standard-Flanschlager, abgedichtet, offene und geschlossene Version

Stainless Steel	Part	Art-close	Part	Art-open	Series	d	l	A	C	D	E	F	G	H
	849	84904SS	850	85004SS	CS 208	40	82,5	111	11	53	18,5	16,5	43	66

Inserto "long life", con guarnizioni, versione aperta e chiusa / "Long life" insert, sealed, open and close version / "Long Life"-Flanschlager, abgedichtet, offene und geschlossene Version

"Long life"	Part	Art-close	Part	Art-open	Series	d	l	A	C	D	E	F	G	H
	849	84904L	850	85004L	CS 208	40	82,5	111	11	53	18,5	16,5	43	66

Inserto con ghiera eccentrica, guarnizioni, versione aperta e chiusa / Insert with locking collar, sealed, open and close version / Flanschlager mit Exzenter-Klemmring, abgedichtet, offene und geschlossene Version

Chrome Steel	Part	Art-close	Part	Art-open	Series	d	l	A	C	D	E	F	G	H
	851	85104	852	85204	CS 208	40	82,5	111	11	60,3	18,5	16,5	53	66

FL/F/FB/UCT

Range Extended

Delivery: **Easy** Standard



Cuscinetti - Bianchi

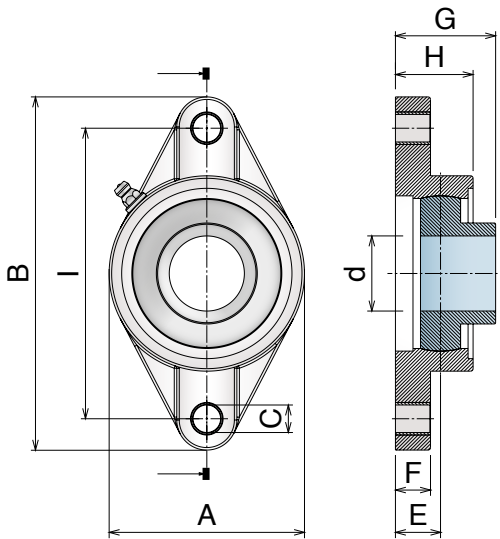
- Sede in Poliammide Bianco.
- I cuscinetti sono realizzati in Acciaio Inox, è possibile regolarli di 2.5° all'interno della flangia.
- L'ingrassatore viene realizzato in Acciaio Inox.
- Distanziali realizzati in Acciaio Inox.
- Rondella per ingrassatore realizzata in Polietilene.

Bearing units - White

- Housing in reinforced Polyamide, white
- Ball bearings are made in stainless steel, they allow a misalignment between shaft and housing of max. 2.5°.
- Grease nipple made in stainless steel.
- Spacers in stainless steel to reinforce fixing holes.
- Washer for grease nipple in PE.

Flanschlager - Weiss

- Lagergehäuse gefertigt aus verstärktem Polyamid, weiß.
- Lagereinsatz aus Edelstahl, alle Lager gleichen einen Fluchtungsfehler von bis zu 2,5° selbständig aus.
- Schmiernippel aus Edelstahl.
- Distanzstücke aus Edelstahl und verstärken die Befestigungsbohrungen.
- Unterlegscheibe für Schmiernippel aus Edelstahl.



FL Inserto standard Standard insert / Standard-Flanschlager

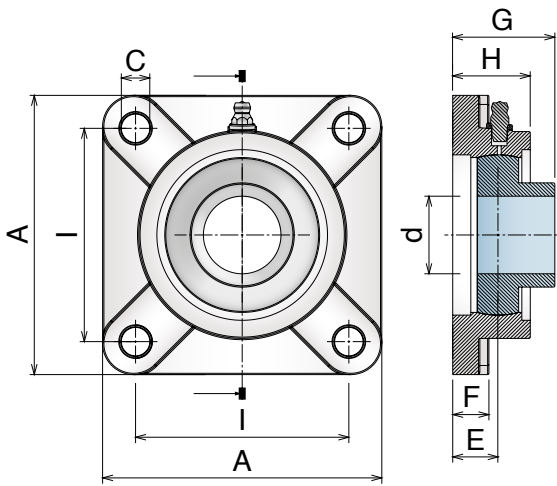
Stainless Steel Insert

Part	Article-Nr.	Series	d	I	A	B	C	E	F	G	H
813	81300	FL 204	20	90	64	113	11	15,4	11,4	33,7	26,5
813	81301	FL 205	25	99	70	131	11	17	13,5	36,7	29,1
813	81302	FL 206	30	117	80	148	11	19	13,3	41,2	30,5
813	81303	FL 207	35	130	90	164	13	18	16,1	43,4	32,8
813	81304	FL 208	40	144	100	176	14	21,5	20	51,7	37,5



Safety Cap

Series	Article-Nr.
FL 204	89801
FL 205	89802
FL 206	89803
FL 207	89804
FL 208	89805



F Inserto standard Standard insert / Standard-Flanschlager

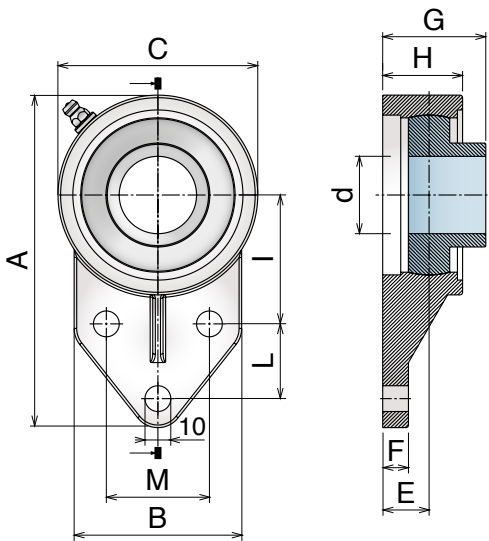
Stainless Steel Insert

Part	Article-Nr.	Series	d	I	A	C	E	F	G	H
814	81400	F 204	20	63,5	86	11	18	13,4	36,3	27,8
814	81401	F 205	25	70	95	11	17	14	36,7	28,0
814	81402	F 206	30	83	107	11	19,2	14,3	41,4	31,5
814	81403	F 207	35	92	118	13	21,5	15,5	46,9	34,8
814	81404	F 208	40	102	130	14	23	17	53,2	37,5



Safety Cap

Series	Article-Nr.
FL 204	89801
FL 205	89802
FL 206	89803
FL 207	89804
FL 208	89805



FB Inserto standard Standard insert / Standard-Flanschlager

Stainless Steel Insert

Part	Art.-Nr.	Series	d	A	I	L	M	C	B	E	F	G	H
815	81500	FB 204	20	108,5	42,9	22,2	38,1	62	62	15,4	12	33,7	26,2
815	81501	FB 205	25	120,6	46	28,6	41,3	68,5	63,5	21	12	40,7	33,5
815	81502	FB 206	30	140	52,4	31,8	47,6	83	75	19	14	41,2	31,5
815	81503	FB 207	35	157	60,3	31,8	50,8	95	89	21,4	16	46,8	36,5
815	81504	FB 208	40	164	60,3	41,3	50	100	78	22	18	47,5	35,7

FB Inserto standard Standard insert / Standard-Flanschlager

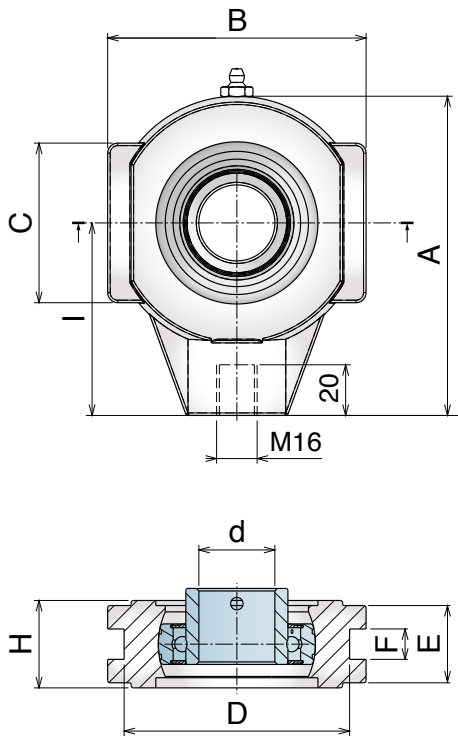
Chrome Steel Insert

Part	Art.-Nr.	Series	d	A	I	L	M	C	B	E	F	G	H
816	81600	FB 204	20	108,5	42,9	22,2	38,1	62	62	15,4	12	33,7	26,2
816	81601	FB 205	25	120,6	46	28,6	41,3	68,5	63,5	21	12	40,7	33,5
816	81602	FB 206	30	140	52,4	31,8	47,6	83	75	19	14	41,2	31,5
816	81603	FB 207	35	157	60,3	31,8	50,8	95	89	21,4	16	46,8	36,5
816	81604	FB 208	40	164	60,3	41,3	50	100	78	22	18	47,5	35,7



Safety Cap

Series	Article-Nr.
FL 204	89801
FL 205	89802
FL 206	89803
FL 207	89804
FL 208	89805



UCT Insetto standard Standard insert / Standard-Flanschlager

Stainless Steel Insert

Part	Art.-Nr.	Series	d	A	I	C	B	E	F	H	D
860	86000	UCT204	20	99	64	47	88	23,5	12	27,5	76
860	86001	UCT205	25	99	64	47	88	23,5	12	27,5	76
860	86002	UCT206	30	125	76	63	102	30,5	12	34,5	90
860	86003	UCT207	35	125	76	63	102	30,5	12	34,5	90
860	86004	UCT208	40	140	85	80	114	33,5	16	38,5	102

UCT Insetto standard Standard insert / Standard-Flanschlager

Chrome Steel Insert

Part	Art.-Nr.	Series	d	A	I	C	B	E	F	H	D
870	87000	UCT204	20	99	64	47	88	23,5	12	27,5	76
870	87001	UCT205	25	99	64	47	88	23,5	12	27,5	76
870	87002	UCT206	30	125	76	63	102	30,5	12	34,5	90
870	87003	UCT207	35	125	76	63	102	30,5	12	34,5	90
870	87004	UCT208	40	140	85	80	114	33,5	16	38,5	102



Safety Cap

Series	Article-Nr.
FL 204	89801
FL 205	89802
FL 206	89803
FL 207	89804
FL 208	89805

SUCF/SUCFL/SUCFK

Delivery: **Easy** **Standard**



Cuscinetti Acciaio Inox

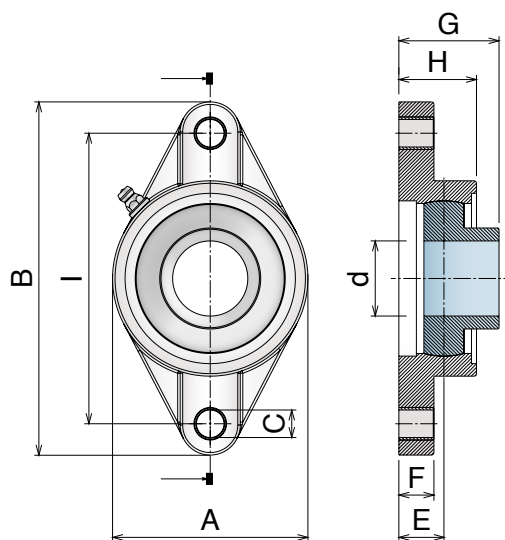
- Sede in Acciaio Inox, ottimale per l'utilizzo nei processi alimentari e farmaceutici.
- I cuscinetti sono realizzati in Acciaio inox, è possibile regolarli di 2.5° all'interno della flangia.
- Ingrassatore realizzato in Acciaio inox.
- Rondella per ingrassatore realizzata in Polietilene.

Bearing units in Stainless steel

- Housing in stainless steel, best choice for processes in food or pharmaceutical industries.
- Ball bearings are made in stainless steel, they allow a misalignment between shaft and housing of max. 2.5°.
- Grease nipple made in stainless steel.
- Washer for grease nipple in PE.

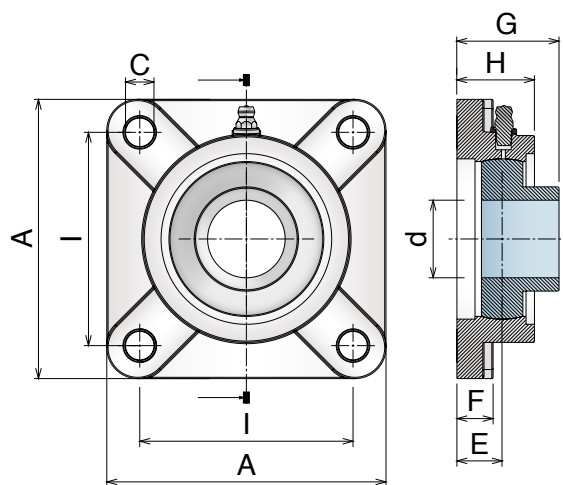
Flanschlager aus Edelstahl

- Lagergehäuse aus Edelstahl, optimal für den Einsatz in der Lebensmittel- oder Pharmaindustrie.
- Lagereinsatz aus Edelstahl, alle Lager gleichen einen Fluchtungsfehler von bis zu 2,5° selbständig aus.
- Schmiernippel aus Edelstahl.
- Unterlegscheibe für Schmiernippel aus PE.



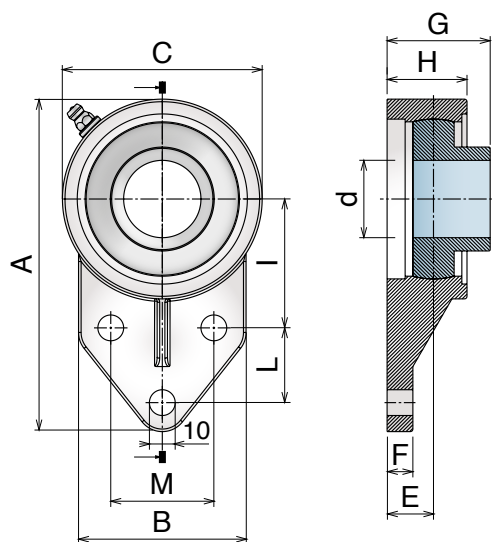
SUCFL Insetto standard Standard insert / Standard-Flanschlager

Part	Article-Nr.	Series	d	I	A	B	C	E	F	G	H
817	81700	SUCFL 204	20	90	60	113	12	15	11	33,3	25,5
817	81701	SUCFL 205	25	99	68	130	16	16	13	35,8	27
817	81702	SUCFL 206	30	117	80	148	16	18	13	40,2	31
817	81703	SUCFL 207	35	130	90	161	16	19	15	44,4	34
817	81704	SUCFL 208	40	144	100	175	16	21	15	51,2	36



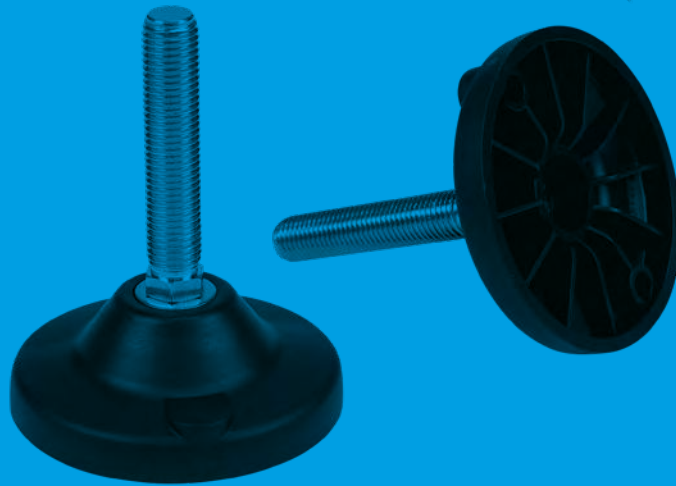
SUCF Insetto standard Standard insert / Standard-Flanschlager

Part	Article-Nr.	Series	d	I	A	C	E	F	G	H
819	81900	SUCF 204	20	64	86	12	15	12	33,3	25,5
819	81901	SUCF 205	25	70	95	12	16	14	35,8	27
819	81902	SUCF 206	30	83	108	12	18	14	40,2	31
819	81903	SUCF 207	35	92	117	14	19	15	44,4	34
819	81904	SUCF 208	40	102	130	16	21	15	51,2	36



SUCFK Insetto standard Standard insert / Standard-Flanschlager

Part	Art.-Nr.	Series	d	A	I	L	M	B	C	E	F	G	H
821	82100	SUCFK 204	20	110	42	27	32	52	62	15	13	33,3	25,5
821	82101	SUCFK 205	25	116	45	27	34	56	68	16	13	35,8	27
821	82102	SUCFK 206	30	130	50	29	40	65	78	18	13	40,2	31
821	82103	SUCFK 207	35	144	55	32	46	70	90	19	15	44,4	34
821	82104	SUCFK 208	40	164	60	41	50	78	100	21	16	51,2	36



901-909 Basic
Ø40-Ø50-Ø60



Pag 456

953-957 Basic
Ø80-Ø100



Pag 458

910-918 Standard
Ø80-Ø100-Ø120



Pag 460

943-947
Ø110



Pag 462

948-952
Ø123



Pag 464

958-959/931-932/981-983
Ø123



Pag 466

919-980 Easy Clean
Ø50-Ø65-Ø75-Ø100-Ø125-Ø150-Ø180



Pag 468

985-991 Easy Clean
Ø50-Ø65-Ø75-Ø100-Ø125-Ø150-Ø180



Pag 471

934-939 Easy Clean
Ø75-Ø100



Pag 474

992-993 Easy Clean
Ø75-Ø100



Pag 476

960-971
Ø123.5



Pag 478

901-909 Basic

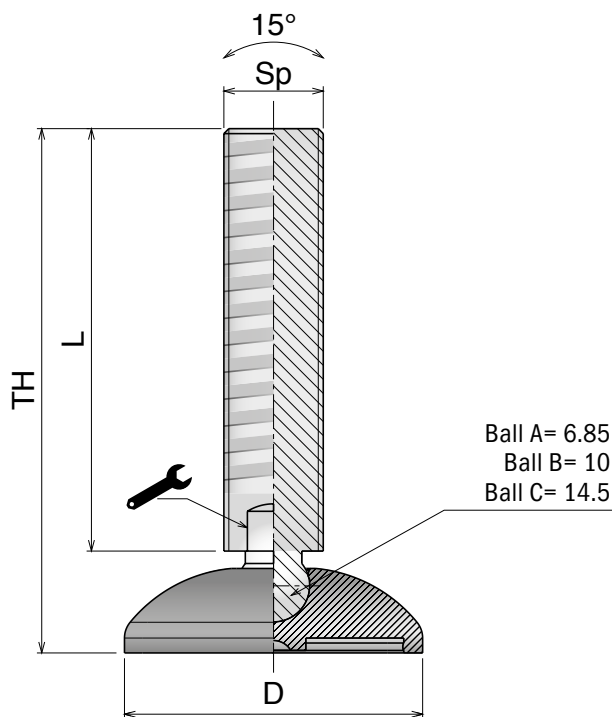
Piedi / Leveling pads / Gelenkfüsse

Materiale / Material / Materialien:

Basi: Poliammide Base / Plate: Polyamide / Fussplatte: Polyamid
 Stelo: Acciaio inox o Ferro zincato / Spindle: Stainless steel or Zinc plated steel / Spindel: Edelstahl oder Stahl Verzinkt

901-909 Basic

Delivery: **Easy** Standard



Accessori / Accessories / Zubehör



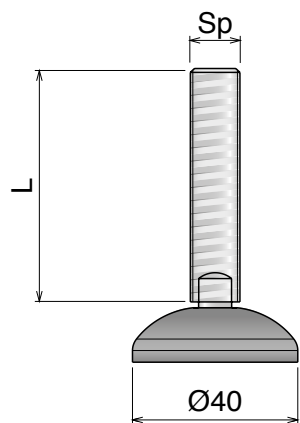
Gomma anti-scivolo
 Anti-slip pad / Gummiplatte

Part	Article-Nr.	For base
996	99601	Ø40
996	99602	Ø50
996	99603	Ø60



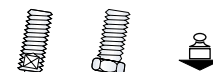
Dadi acciaio inox
 Stainless steel nuts / Mutter Edelstahl

Part	Article-Nr.	Spindle
998	99801	M10
998	99802	M12
998	99804	M16
998	99805	M20

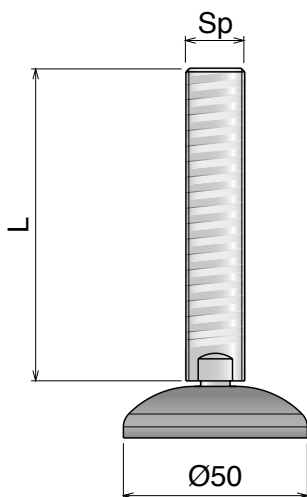


Piede diam. 40 mm

Leveller diam. 40 mm / Gelenkfuss Diam. 40 mm

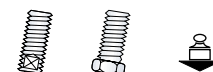


Part	SS	FeZn	Sp	TH	L	Ball	N	
901	90101	90101Z	M10	50	35	A	7	-
901	90102	90102Z		100	85	A	7	10.000
901	90103	90103Z		150	135	A	7	-
902	90201	90201Z	M12	75	60	B	9	-
902	90202	90202Z		100	85	B	9	12.000
902	90203	90203Z		150	135	B	9	-
903	90301	90301Z	M16	75	60	B	13	-
903	90302	90302Z		100	85	B	13	-
903	90303	90303Z		150	135	B	13	-
903	90301H	90301ZH		75	60	B	-	16
903	90302H	90302ZH		100	85	B	-	16
903	90303H	90303ZH		150	135	B	-	16

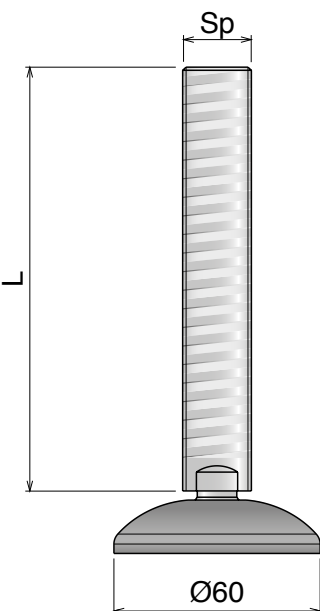


Piede diam. 50 mm

Leveller diam. 50 mm / Gelenkfuss Diam. 50 mm

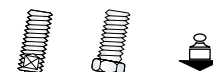


Part	SS	FeZn	Sp	TH	L	Ball	N	
904	90401	90401Z	M10	50	35	A	7	-
904	90402	90402Z		100	85	A	7	10.000
904	90403	90403Z		150	135	A	7	-
905	90501	90501Z	M12	75	60	B	9	-
905	90502	90502Z		100	85	B	9	12.000
905	90503	90503Z		150	135	B	9	-
906	90601	90601Z	M16	75	60	B	13	-
906	90602	90602Z		100	85	B	13	-
906	90603	90603Z		150	135	B	13	-
906	90601H	90601ZH		75	60	B	-	16
906	90602H	90602ZH		100	85	B	-	16
906	90603H	90603ZH		150	135	B	-	16



Piede diam. 60 mm

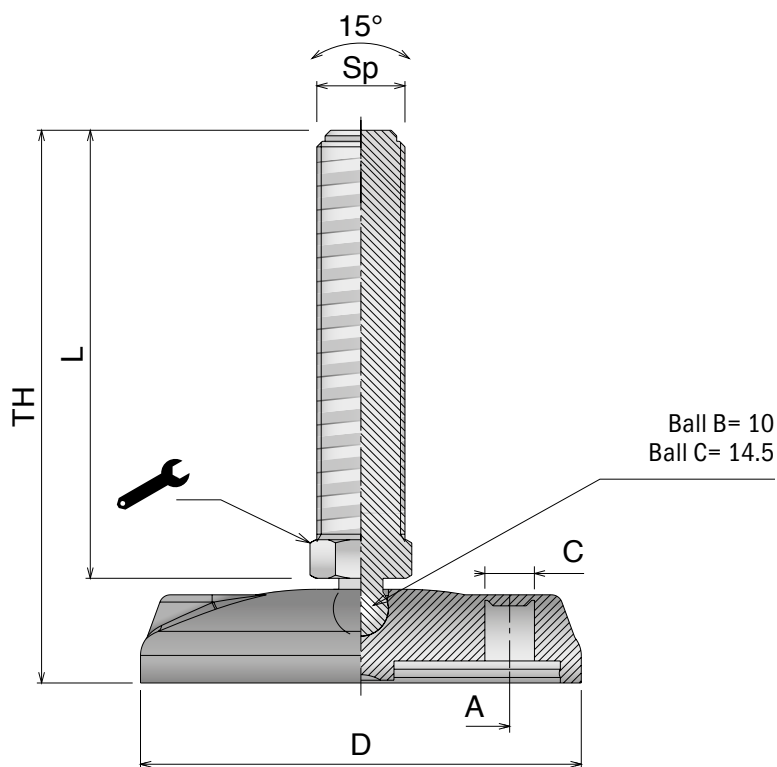
Leveller diam. 60 mm / Gelenkfuss Diam. 60 mm



Part	SS	FeZn	Sp	TH	L	Ball	N	
907	90701	90701Z	M12	80	60	B	9	-
907	90702	90702Z		105	85	B	9	12.000
907	90703	90703Z		155	135	B	9	-
908	90801	90801Z	M16	105	85	B	13	-
908	90802	90802Z		155	135	B	13	-
908	90803	90803Z		205	185	B	13	-
908	90801H	90801ZH		105	85	B	-	16
908	90802H	90802ZH		155	135	B	-	16
908	90803H	90803ZH		205	185	B	-	16
909	90901	90901Z	M20	105	85	C	16	-
909	90902	90902Z		155	135	C	16	-
909	90903	90903Z		205	185	C	16	-
909	90901H	90901ZH		105	85	C	-	20
909	90902H	90902ZH		155	135	C	-	20
909	90903H	90903ZH		205	185	C	-	20

953-957 Basic

Delivery: **Easy** Standard



Accessori / Accessories / Zubehör



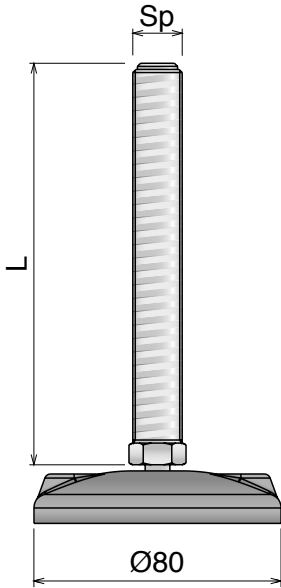
Gomma anti-scivolo
 Anti-slip pad / Gummipolatte

Part	Article-Nr.	For base
996	99604	Ø80
996	99605	Ø100

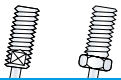


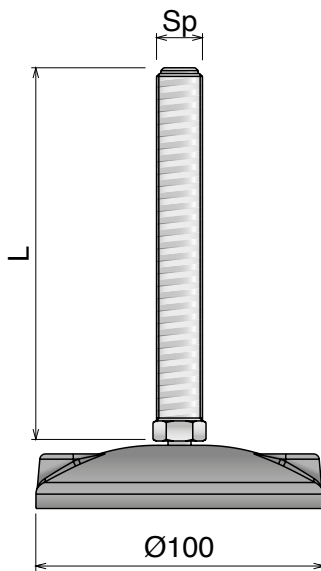
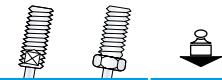
Dadi acciaio inox
 Stainless steel nuts / Mutter Edelstahl

Part	Article-Nr.	Spindle
998	99802	M12
998	99804	M16
998	99805	M20

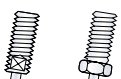


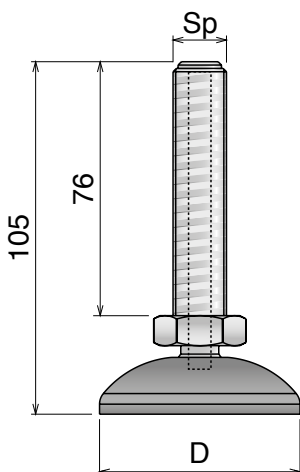
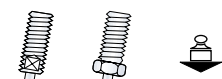
Piede diam. 80 mm
Leveler diam. 80 mm / Gelenkfuss Diam. 80 mm

Part	SS	FeZn	Sp	TH	L	Ball			N
953	95301	95301Z	M12	80	60	B	9	-	12.000
953	95302	95302Z		105	85	B	9	-	
953	95303	95303Z		155	135	B	9	-	
954	95401	95401Z	M16	105	85	B	13	-	15.000
954	95402	95402Z		155	135	B	13	-	
954	95403	95403Z		205	185	B	13	-	
954	95401H	95401ZH		105	85	B	-	16	
954	95402H	95402ZH		155	135	B	-	16	
954	95403H	95403ZH		205	185	B	-	16	
955	95501	95501Z	M20	105	85	C	16	-	18.000
955	95502	95502Z		155	135	C	16	-	
955	95503	95503Z		205	185	C	16	-	
955	95501H	95501ZH		105	85	C	-	20	
955	95502H	95502ZH		155	135	C	-	20	
955	95503H	95503ZH		205	185	C	-	20	

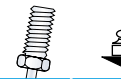


Piede diam. 100 mm
Leveler diam. 100 mm / Gelenkfuss Diam. 100 mm

Part	SS	FeZn	Sp	TH	L	Ball			N
956	95601	95601Z	M16	108	85	B	13	-	15.000
956	95602	95602Z		158	135	B	13	-	
956	95603	95603Z		208	185	B	13	-	
956	95601H	95601ZH		108	85	B	-	16	
956	95602H	95602ZH		158	135	B	-	16	
956	95603H	95603ZH		208	185	B	-	16	
957	95701	95701Z	M20	108	85	C	16	-	18.000
957	95702	95702Z		158	135	C	16	-	
957	95703	95703Z		208	185	C	16	-	
957	95701H	95701ZH		108	85	C	-	20	
957	95702H	95702ZH		158	135	C	-	20	
957	95703H	95703ZH		208	185	C	-	20	

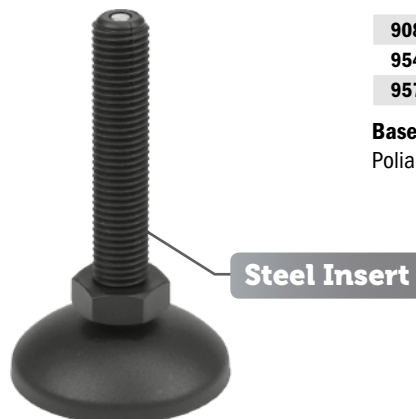


Piede diam. 60-80-100 mm
Leveler diam. 60-80-100 mm
Gelenkfuss Diam. 60-80-100 mm

Part	Article-Nr.	Sp	D	Ball			N
908	90810PH	M16	60	C	24	12.000	
954	95410PH		80	C	24		
957	95710PH		100	C	24		

Base and spindle:

Poliammide / Polyamide / Polyamid



910-918 Standard

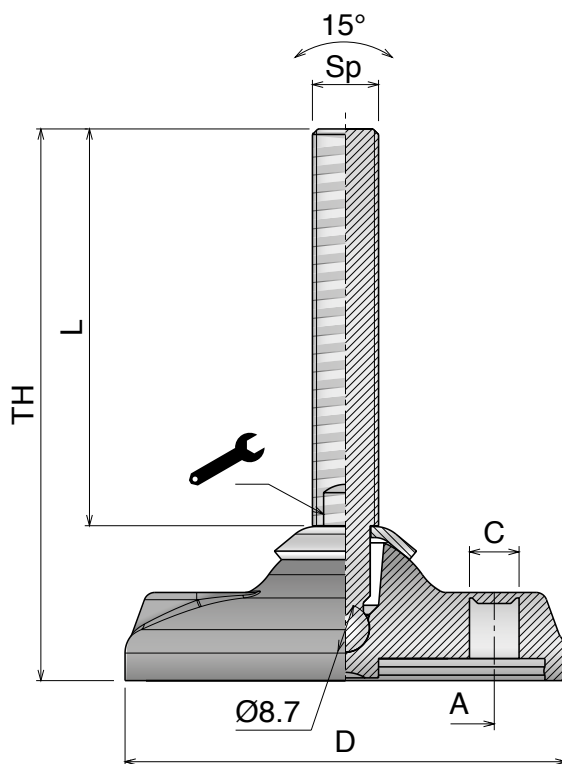
Piedi / Leveling pads / Gelenkfüsse

Materiale / Material / Materialien:

Basi: Poliammide Base / Plate: Polyamide / Fussplatte: Polyamid
 Stelo: Acciaio inox o Ferro zincato / Spindle: Stainless steel or Zinc plated steel / Spindel: Edelstahl oder Stahl Verzinkt

910-918 Standard

Delivery: **Easy** **Standard**



Accessori / Accessories / Zubehör



Gomma anti-scivolo
 Anti-slip pad / Gummiplatte

Part	Article-Nr.	For base
996	99604	Ø80
996	99605	Ø100
996	99606	Ø120

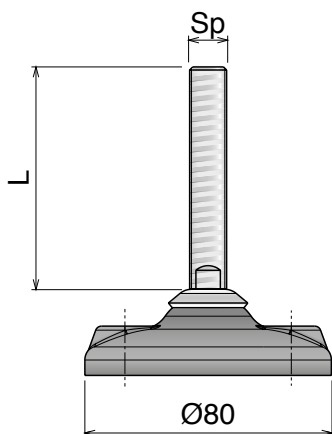


Dadi acciaio inox
 Stainless steel nuts / Mutter Edelstahl

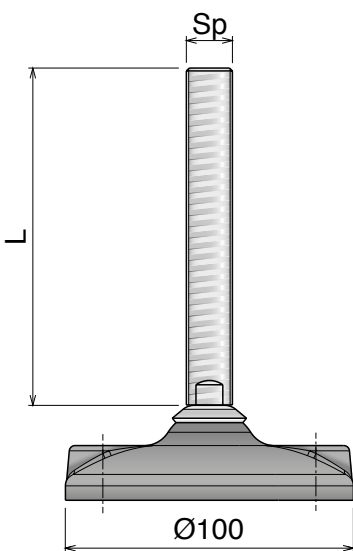
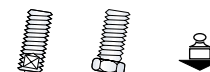
Part	Article-Nr.	Spindle
998	99802	M12
998	99804	M16
998	99805	M20
998	99806	M24

Piede diam. 80 mm

Leveller diam. 80 mm / Gelenkfuss Diam. 80 mm



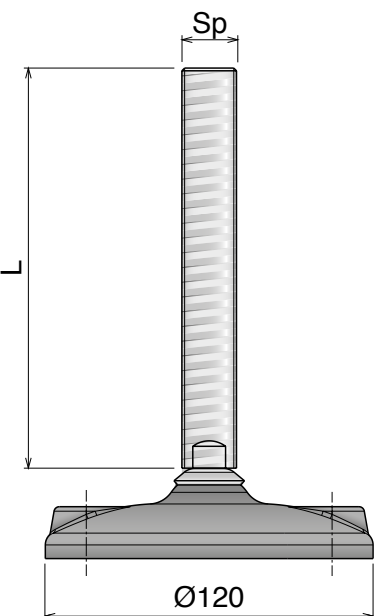
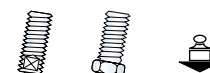
Part	SS	FeZn	Sp	TH	L	A	C		N
910	91001	91001Z	M12	100	72	54	9	9	-
910	91002	91002Z		150	122	54	9	9	-
910	91003	91003Z		200	172	54	9	9	-
911	91101	91101Z	M16	95	67	54	9	13	-
911	91102	91102Z		145	117	54	9	13	-
911	91103	91103Z		195	167	54	9	13	-
911	91101H	91101ZH		95	67	54	9	-	16
911	91102H	91102ZH		145	117	54	9	-	16
911	91103H	91103ZH		195	167	54	9	-	16
912	91201	91201Z	M20	120	92	54	9	16	-
912	91202	91202Z		170	142	54	9	16	-
912	91203	91203Z		220	192	54	9	16	-
912	91201H	91201ZH		120	92	54	9	-	20
912	91202H	91202ZH		170	142	54	9	-	20
912	91203H	91203ZH		220	192	54	9	-	20



Piede diam. 100 mm

Leveller diam. 100 mm / Gelenkfuss Diam. 100 mm

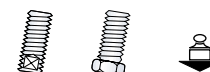
Part	SS	FeZn	Sp	TH	L	A	C		N
913	91301	91301Z	M16	100	67	74	13	13	-
913	91302	91302Z		150	117	74	13	13	-
913	91303	91303Z		200	167	74	13	13	-
913	91301H	91301ZH		100	67	74	13	-	16
913	91302H	91302ZH		150	117	74	13	-	16
913	91303H	91303ZH		200	167	74	13	-	16
914	91401	91401Z	M20	125	92	74	13	16	-
914	91402	91402Z		175	142	74	13	16	-
914	91403	91403Z		225	192	74	13	16	-
914	91401H	91401ZH		125	92	74	13	-	20
914	91402H	91402ZH		175	142	74	13	-	20
914	91403H	91403ZH		225	192	74	13	-	20
915	91501	91501Z	M24	125	92	74	13	19	-
915	91502	91502Z		175	142	74	13	19	-
915	91503	91503Z		225	192	74	13	19	-



Piede diam. 120 mm

Leveller diam. 120 mm / Gelenkfuss Diam. 120 mm

Part	SS	FeZn	Sp	TH	L	A	C		N
916	91601	91601Z	M16	100	67	90	13	13	-
916	91602	91602Z		150	117	90	13	13	-
916	91603	91603Z		200	167	90	13	13	-
916	91601H	91601ZH		100	67	90	13	-	16
916	91602H	91602ZH		150	117	90	13	-	16
916	91603H	91603ZH		200	167	90	13	-	16
917	91701	91701Z	M20	125	92	90	13	16	-
917	91702	91702Z		175	142	90	13	16	-
917	91703	91703Z		225	192	90	13	16	-
917	91701H	91701ZH		125	92	90	13	-	20
917	91702H	91702ZH		175	142	90	13	-	20
917	91703H	91703ZH		225	192	90	13	-	20
918	91801	91801Z	M24	125	92	90	13	19	-
918	91802	91802Z		175	142	90	13	19	-
918	91803	91803Z		225	192	90	13	19	-



943-947 Ø110

Piedi / Leveling pads / Gelenkfüsse

Materiale / Material / Materialien:

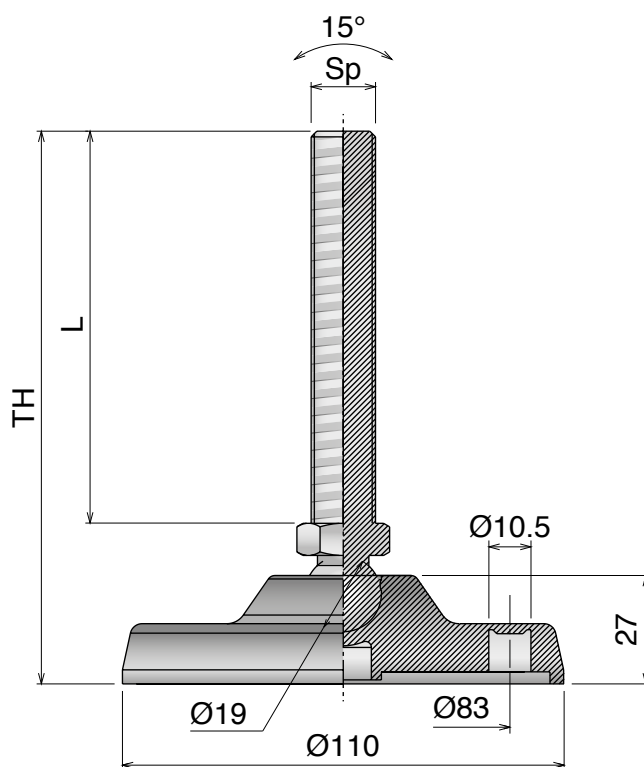
Basi: Poliammide Base / Plate: Polyamide / Fussplatte: Polyamid
Stelo: Acciaio inox o Ferro zincato / Spindle: Stainless steel or Zinc plated steel / Spindel: Edelstahl oder Stahl Verzinkt

943-947 Ø110

Delivery: **Easy** Standard



Ø110



Accessori / Accessories / Zubehör



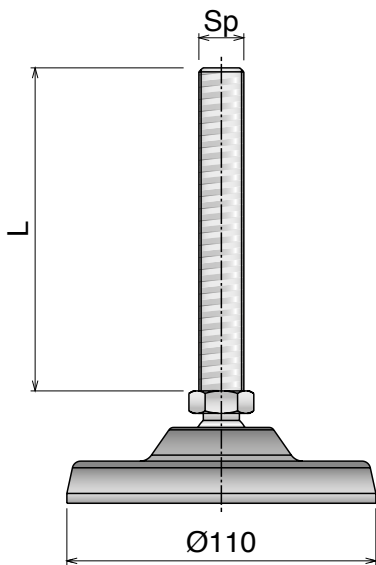
Gomma anti-scivolo
Anti-slip pad / Gummiplatte

Part	Article-Nr.	For base
996	99607	Ø110



Dadi acciaio inox
Stainless steel nuts / Mutter Edelstahl


Part	Article-Nr.	Spindle
998	99804	M16
998	99805	M20
998	99806	M24




Piede diam. 110 mm

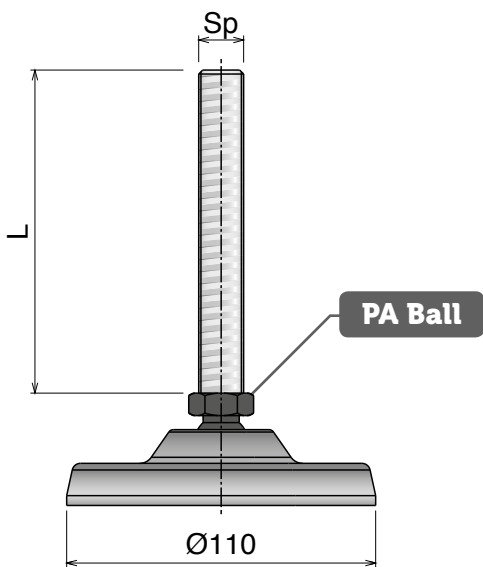
Leveller diam. 110 mm / Gelenkfuss Diam. 110 mm

Without antislip rubber

Part	SS	FeZn	Sp	TH	L		N
943	94301H	94301ZH	M16	155	115	20	15.000
943	94302H	94302ZH		185	145	20	
943	94303H	94303ZH		235	195	20	
944	94401H	94401ZH	M20	155	115	20	15.000
944	94402H	94402ZH		185	145	20	
944	94403H	94403ZH		235	195	20	
945	94501H	94501ZH	M24	155	115	24	18.000
945	94502H	94502ZH		185	145	24	
945	94503H	94503ZH		235	195	24	

With antislip rubber


Part	SS	FeZn	Sp	TH	L		N
943	94351H	94351ZH	M16	155	115	20	15.000
943	94352H	94352ZH		185	145	20	
943	94353H	94353ZH		235	195	20	
944	94451H	94451ZH	M20	155	115	20	15.000
944	94452H	94452ZH		185	145	20	
944	94453H	94453ZH		235	195	20	
945	94551H	94551ZH	M24	155	115	24	18.000
945	94552H	94552ZH		185	145	24	
945	94553H	94553ZH		235	195	24	




Piede diam. 110 mm

Leveller diam. 110 mm / Gelenkfuss Diam. 110 mm

Without antislip rubber

Part	SS	FeZn	Sp	TH	L		N
946	94601H	94601ZH	M16	155	115	24	12.000
946	94602H	94602ZH		185	145	24	
946	94603H	94603ZH		235	195	24	
947	94701H	94701ZH	M20	155	115	24	12.000
947	94702H	94702ZH		185	145	24	
947	94703H	94703ZH		235	195	24	

With antislip rubber

Part	SS	FeZn	Sp	TH	L		N
946	94651H	94651ZH	M16	155	115	24	12.000
946	94652H	94652ZH		185	145	24	
946	94653H	94653ZH		235	195	24	
947	94751H	94751ZH	M20	155	115	24	12.000
947	94752H	94752ZH		185	145	24	
947	94753H	94753ZH		235	195	24	

948-952 Ø123

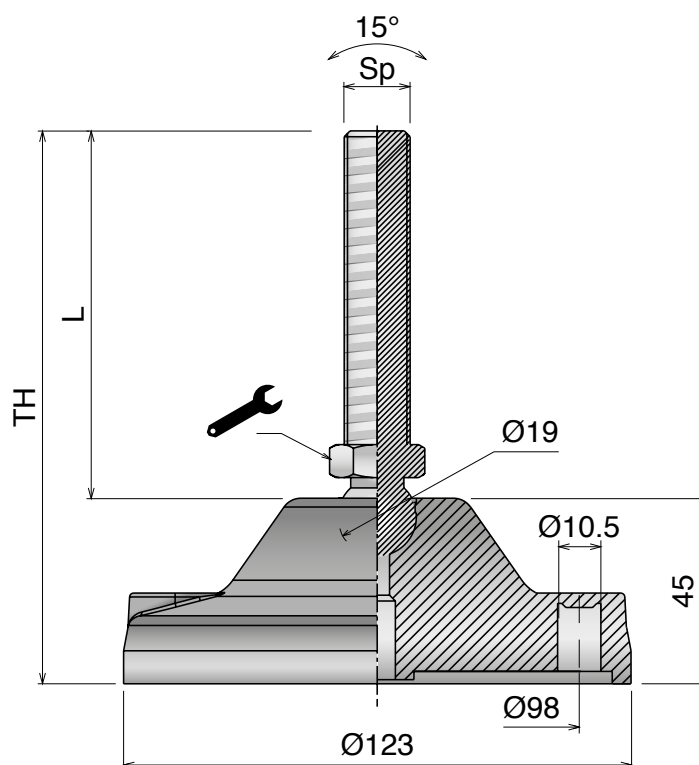
Piedi / Leveling pads / Gelenkfüsse

Materiale / Material / Materialien:

Basi: Poliammide Base / Plate: Polyamide / Fussplatte: Polyamid
Stelo: Acciaio inox o Ferro zincato / Spindle: Stainless steel or Zinc plated steel / Spindel: Edelstahl oder Stahl Verzinkt

948-952 Ø123

Delivery: **Easy** Standard



Accessori / Accessories / Zubehör



Gomma anti-scivolo
Anti-slip pad / Gummiplatte

Part	Article-Nr.	For base
996	99608	Ø123




Dadi acciaio inox
Stainless steel nuts / Mutter Edelstahl

Part	Article-Nr.	Spindle
998	99804	M16
998	99805	M20
998	99806	M24


Piede diam. 123 mm

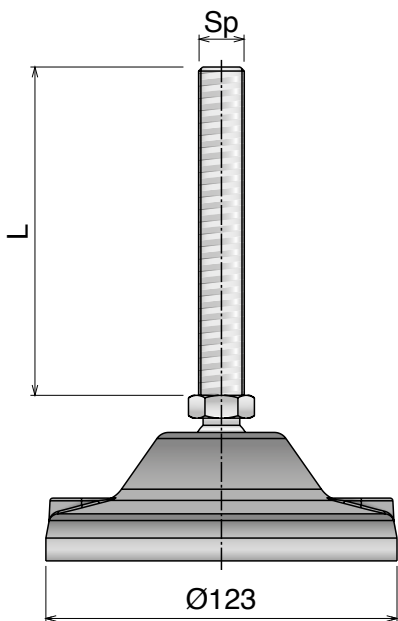
Leveller diam. 123 mm / Gelenkfuss Diam. 123 mm

Without antislip rubber

Part	SS	FeZn	Sp	TH	L		N
948	94801H	94801ZH	M16	175	115	20	25.000
948	94802H	94802ZH		205	145	20	
948	94803H	94803ZH		255	195	20	
949	94901H	94901ZH	M20	175	115	20	25.000
949	94902H	94902ZH		205	145	20	
949	94903H	94903ZH		255	195	20	
950	95001H	95001ZH	M24	175	115	24	25.000
950	95002H	95002ZH		205	145	24	
950	95003H	95003ZH		255	195	24	

With antislip rubber


Part	SS	FeZn	Sp	TH	L		N
948	94851H	94851ZH	M16	175	115	20	25.000
948	94852H	94852ZH		205	145	20	
948	94853H	94853ZH		255	195	20	
949	94951H	94951ZH	M20	175	115	20	25.000
949	94952H	94952ZH		205	145	20	
949	94953H	94953ZH		255	195	20	
950	95051H	95051ZH	M24	175	115	24	25.000
950	95052H	95052ZH		205	145	24	
950	95053H	95053ZH		255	195	24	




Piede diam. 123 mm

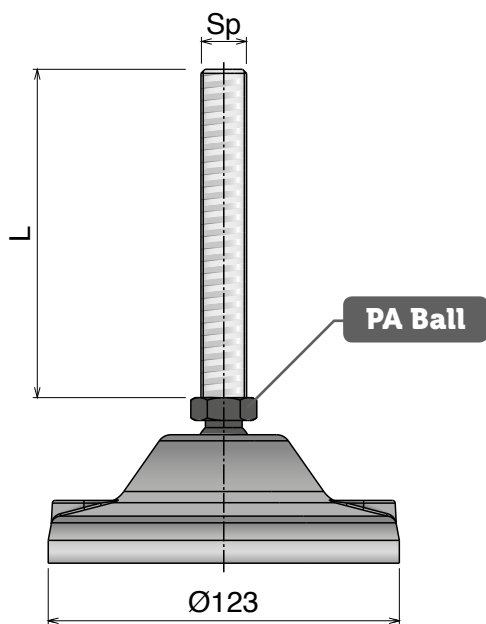
Leveller diam. 123 mm / Gelenkfuss Diam. 123 mm

Without antislip rubber

Part	SS	FeZn	Sp	TH	L		N
951	95101H	95101ZH	M16	175	115	24	20.000
951	95102H	95102ZH		205	145	24	
951	95103H	95103ZH		255	195	24	
952	95201H	95201ZH	M20	175	115	24	20.000
952	95202H	95202ZH		205	145	24	
952	95203H	95203ZH		255	195	24	

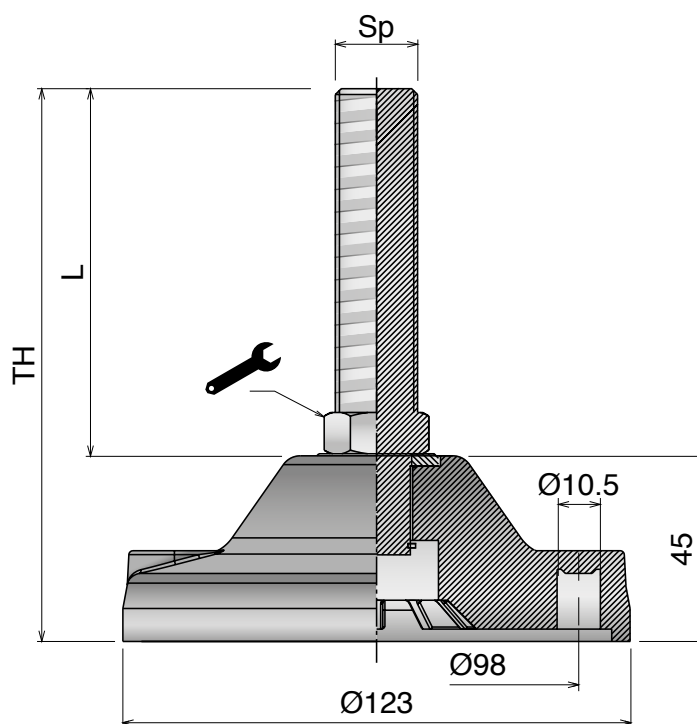
With antislip rubber

Part	SS	FeZn	Sp	TH	L		N
951	95151H	95151ZH	M16	175	115	24	20.000
951	95152H	95152ZH		205	145	24	
951	95153H	95153ZH		255	195	24	
952	95251H	95251ZH	M20	175	115	24	20.000
952	95252H	95252ZH		205	145	24	
952	95253H	95253ZH		255	195	24	



958-959/931-933/981-983 Ø123

Delivery: **Easy** Standard



Accessori / Accessories / Zubehör



Gomma anti-scivolo
 Anti-slip pad / Gummiplatte

Part	Article-Nr.	For base
996	99608	Ø123




Dadi acciaio inox
 Stainless steel nuts / Mutter Edelstahl


Part	Article-Nr.	Spindle
998	99804	M16
998	99805	M20
998	99806	M24

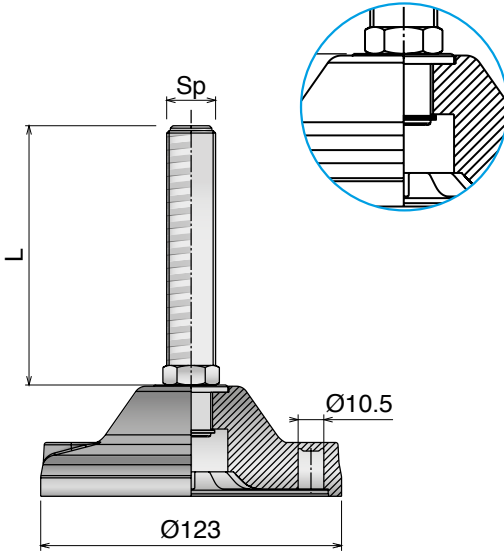
Piede diam. 123 mm / Leveller diam. 123 mm / Gelenkfuss Diam. 123 mm

Without antislip rubber

Part	SS	FeZn	Sp	TH	L		N
958	95801H	95801ZH	M20	150	98	20	30.000
958	95802H	95802ZH		200	148	20	
958	95803H	95803ZH		250	198	20	
959	95901H	95901ZH	M24	150	98	24	30.000
959	95902H	95902ZH		200	148	24	
959	95903H	95903ZH		250	198	24	


With antislip rubber

Part	SS	FeZn	Sp	TH	L		N
958	95851H	95851ZH	M20	150	98	20	30.000
958	95852H	95852ZH		200	148	20	
958	95853H	95853ZH		250	198	20	
959	95951H	95951ZH	M24	150	98	24	30.000
959	95952H	95952ZH		200	148	24	
959	95953H	95953ZH		250	198	24	




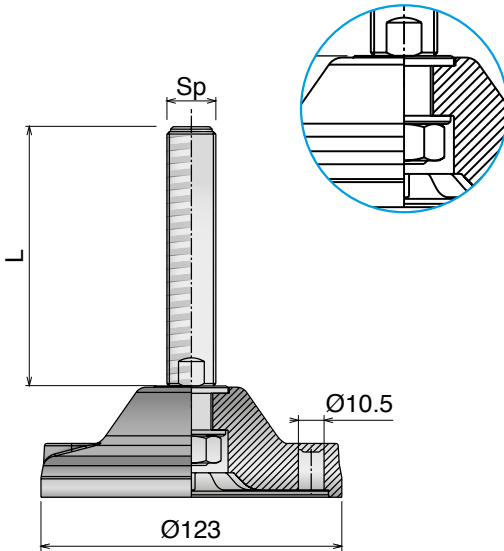
Piede diam. 123 mm / Leveller diam. 123 mm / Gelenkfuss Diam. 123 mm

Without antislip rubber

Part	SS	FeZn	Sp	TH	L		N
931	93102	93102Z	M20	200	148	16	30.000
931	93103	93103Z		250	198	16	
932	93202	93202Z	M24	200	148	19	30.000
932	93203	93203Z		250	198	19	
933	93302	93302Z	M30	200	148	24	30.000
933	93303	93303Z		250	198	24	


With antislip rubber

Part	SS	FeZn	Sp	TH	L		N
931	93152	93152Z	M20	200	148	16	30.000
931	93153	93153Z		250	198	16	
932	93252	93252Z	M24	200	148	19	30.000
932	93253	93253Z		250	198	19	
933	93352	93352Z	M30	200	148	24	30.000
933	93353	93353Z		250	198	24	




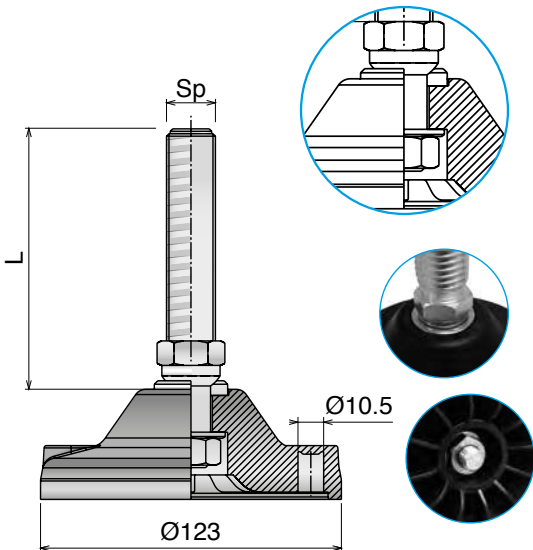
Piede diam. 123 mm / Leveller diam. 123 mm / Gelenkfuss Diam. 123 mm

Without antislip rubber

Part	SS	FeZn	Sp	TH	L		N
981	98102H	98102ZH	M20	200	148	24	30.000
981	98103H	98103ZH		250	198	24	
982	98202H	98202ZH	M24	200	148	24	30.000
982	98203H	98203ZH		250	198	24	
983	98302H	98302ZH	M30	200	148	32	30.000
983	98303H	98303ZH		250	198	32	

With antislip rubber

Part	SS	FeZn	Sp	TH	L		N
981	98152H	98152ZH	M20	200	148	24	30.000
981	98153H	98153ZH		250	198	24	
982	98252H	98252ZH	M24	200	148	24	30.000
982	98253H	98253ZH		250	198	24	
983	98352H	98352ZH	M30	200	148	32	30.000
983	98353H	98353ZH		250	198	32	



919-980 Easy clean

Piedi / Leveling pads / Gelenkfüsse

Materiali / Material / Materialien:

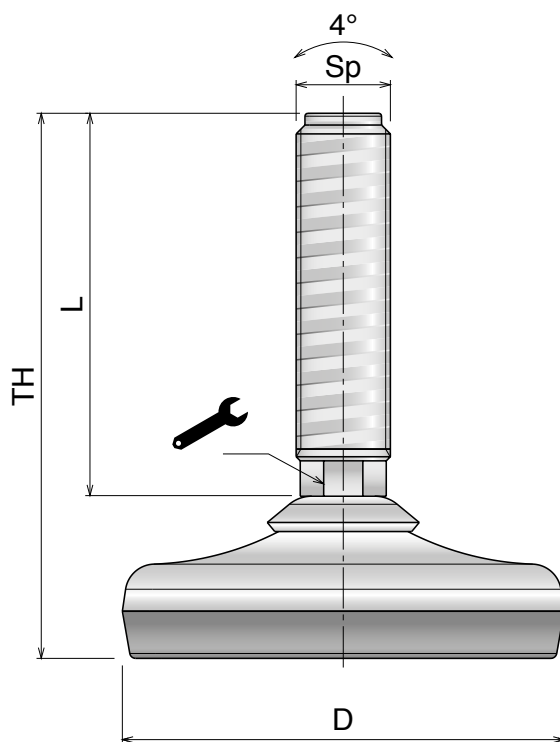
Basi, stelo e rondella: Acciaio inox

Base plate, spindle and washer: Stainless steel

Fussplatte, Spindel und Scheibe: Edelstahl

919-980 Easy clean

Delivery: **Easy** Standard



Accessori / Accessories / Zubehör

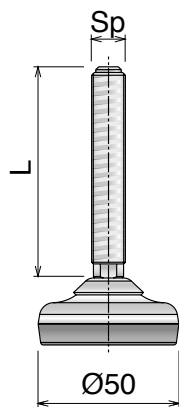


Dadi acciaio inox
Stainless steel nuts / Mutter Edelstahl

Part	Article-Nr.	Spindle
998	99802	M12
998	99804	M16
998	99805	M20
998	99806	M24
998	99807	M30

Materiale / Material / Materialien:

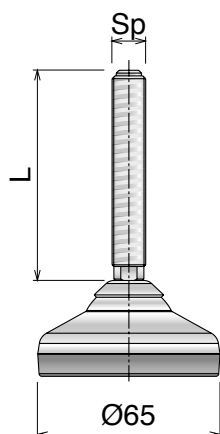
Basi, stelo e rondella: Acciaio inox
 Base plate, spindle and washer: Stainless steel
 Fussplatte, Spindel und Scheibe: Edelstahl



Piede diam. 50 mm
Leveller diam. 50 mm / Gelenkfuss Diam. 50 mm



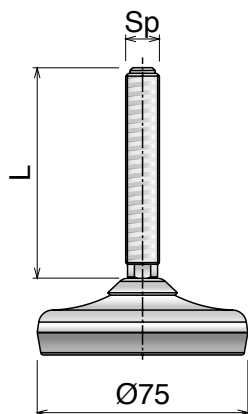
Part	Article-Nr.	Sp	TH	L		N
919	91901	M12	75	50	9	3.000
919	91902		100	75	9	
919	91903		150	125	9	
920	92001	M16	90	65	13	3.000
920	92002		140	115	13	
920	92003		190	165	13	
921	92101	M20	90	65	16	3.000
921	92102		115	90	16	
921	92103		165	140	16	



Piede diam. 65 mm
Leveller diam. 65 mm / Gelenkfuss Diam. 65 mm



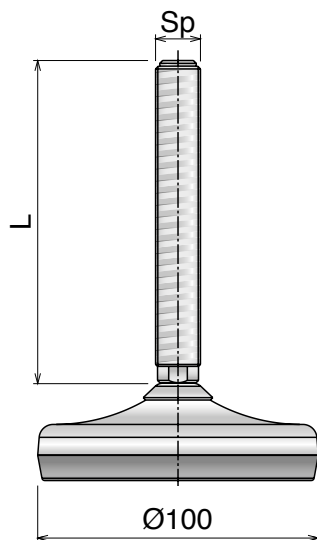
Part	Article-Nr.	Sp	TH	L		N
972	97201	M12	75	50	9	5.000
972	97202		100	75	9	
972	97203		150	125	9	
973	97301	M16	90	65	13	5.000
973	97302		140	115	13	
973	97303		190	165	13	
974	97401	M20	90	65	16	5.000
974	97402		115	90	16	
974	97403		165	140	16	



Piede diam. 75 mm
Leveller diam. 75 mm / Gelenkfuss Diam. 75 mm



Part	Article-Nr.	Sp	TH	L		N
922	92201	M12	80	50	9	8.000
922	92202		105	75	9	
922	92203		155	125	9	
923	92301	M16	95	65	13	8.000
923	92302		145	115	13	
923	92303		195	165	13	
924	92401	M20	95	65	16	8.000
924	92402		120	90	16	
924	92403		170	140	16	



Piede diam. 100 mm
Leveller diam. 100 mm / Gelenkfuss Diam. 100 mm



Part	Article-Nr.	Sp	TH	L		N
925	92501	M16	100	65	13	20.000
925	92502		150	115	13	
925	92503		200	165	13	
926	92601	M20	125	90	16	20.000
926	92602		175	140	16	
926	92603		225	190	16	
927	92701	M24	125	90	19	20.000
927	92702		175	140	19	
927	92703		225	190	19	

919-980 Easy clean

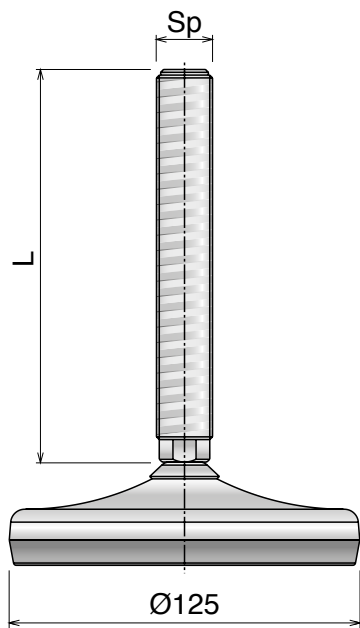
Piedi / Leveling pads / Gelenkfüsse

• Materiale / Material / Materialien:

Basi, stelo e rondella: Acciaio inox

Base plate, spindle and washer: Stainless steel

Fussplatte, Spindel und Scheibe: Edelstahl

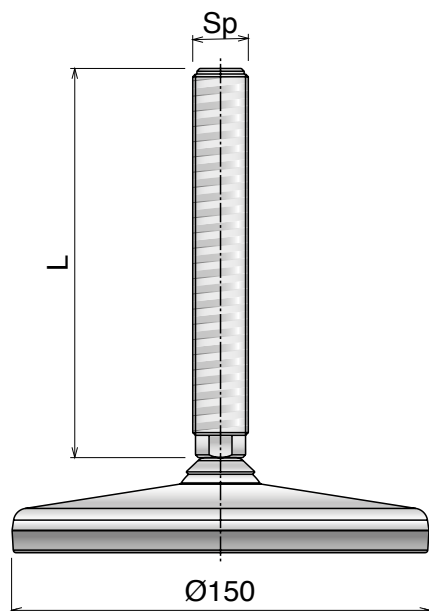


Piede diam. 125 mm

Leveller diam. 125 mm / Gelenkfuss Diam. 125 mm



Part	Article-Nr.	Sp	TH	L		N
928	92801	M20	130	90	16	
928	92802		180	140	16	
928	92803		230	190	16	
929	92901	M24	130	90	19	30.000
929	92902		180	140	19	
929	92903		230	190	19	
930	93001	M30	155	115	24	
930	93002		205	165	24	
930	93003		255	215	24	

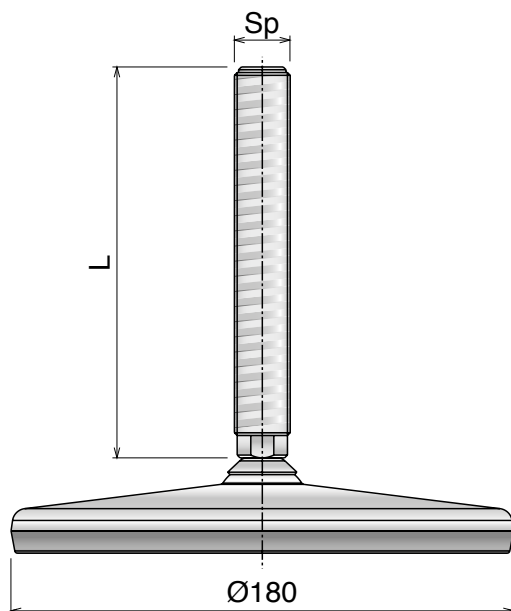


Piede diam. 150 mm

Leveller diam. 150 mm / Gelenkfuss Diam. 150 mm



Part	Article-Nr.	Sp	TH	L		N
975	97501	M20	125	90	16	
975	97502		175	140	16	
975	97503		225	190	16	
976	97601	M24	175	140	19	35.000
976	97602		225	190	19	
976	97603		285	250	19	
977	97702	M30	175	140	24	
977	97703		225	190	24	
977	97704		285	250	24	



Piede diam. 180 mm

Leveller diam. 180 mm / Gelenkfuss Diam. 180 mm

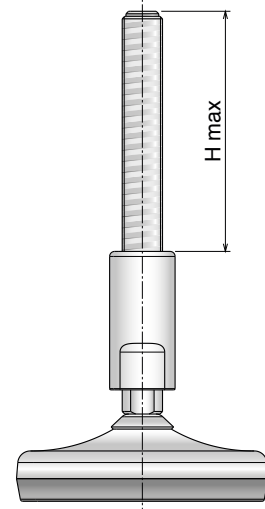
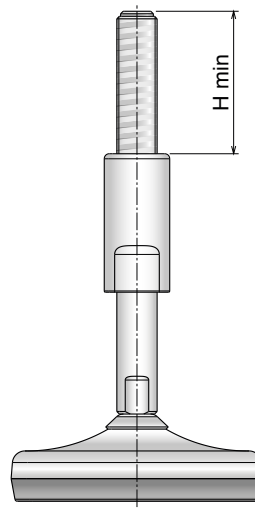
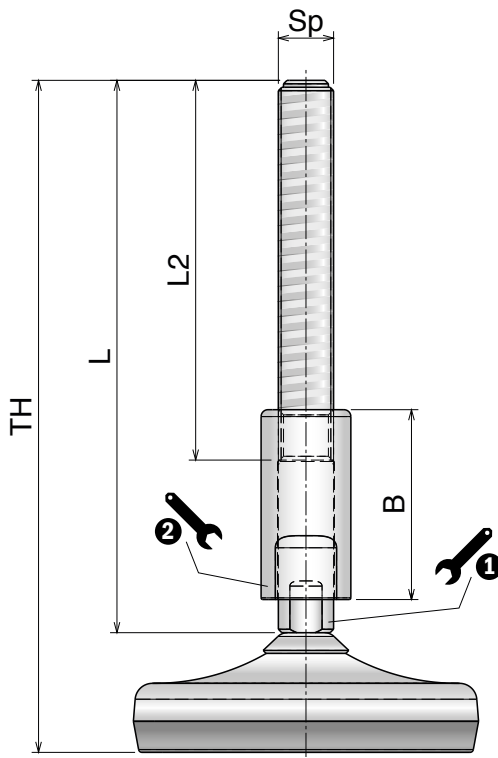


Part	Article-Nr.	Sp	TH	L		N
978	97801	M20	125	90	16	
978	97802		175	140	16	
978	97803		225	190	16	
979	97902	M24	125	90	19	38.000
979	97903		175	140	19	
979	97904		225	190	19	
980	98003	M30	225	190	24	
980	98004		285	250	24	
980	98005		335	300	24	

Materiale / Material / Materialien:

Basi, stelo e rondella: Acciaio inox
 Base plate, spindle and washer: Stainless steel
 Fussplatte, Spindel und Scheibe: Edelstahl

985-991 Easy clean



Adjustment range

	H min	H max
L: 160 / B: 55	56,6	95,4
L: 210 / B: 85	45,6	114,5

Accessori / Accessories / Zubehör



Dadi acciaio inox
 Stainless steel nuts / Mutter Edelstahl

Part	Article-Nr.	Spindle
998	99804	M16
998	99805	M20
998	99806	M24

985-991 Easy clean

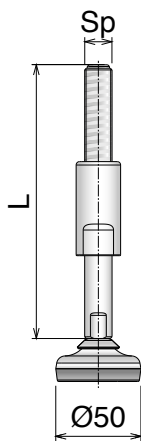
Piedi / Leveling pads / Gelenkfüsse

• Materiale / Material / Materialien:

Basi, stelo e rondella: Acciaio inox

Base plate, spindle and washer: Stainless steel

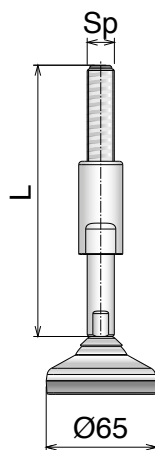
Fussplatte, Spindel und Scheibe: Edelstahl



Piede diam. 50 mm

Leveller diam. 50 mm / Gelenkfuss Diam. 50 mm

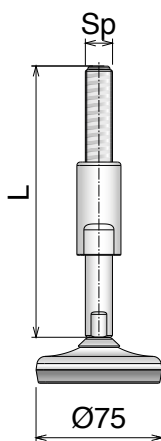
Part	Article-Nr.	Sp	TH	L	L2	B	①	②
985	98501	M16	185	160	110	55	13	19
985	98502		235	210	130	85	13	19
985	98503	M20	185	160	110	55	16	24
985	98504		235	210	130	85	16	24
985	98505	M24	185	160	110	55	19	27
985	98506		235	210	130	85	19	27



Piede diam. 65 mm

Leveller diam. 65 mm / Gelenkfuss Diam. 65 mm

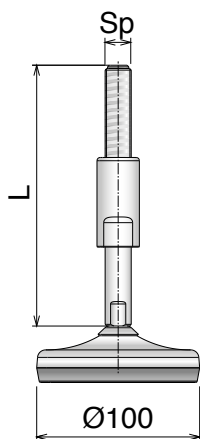
Part	Article-Nr.	Sp	TH	L	L2	B	①	②
986	98601	M16	195	160	110	55	13	19
986	98602		245	210	130	85	13	19
986	98603	M20	195	160	110	55	16	24
986	98604		245	210	130	85	16	24
986	98605	M24	195	160	110	55	19	27
986	98606		245	210	130	85	19	27



Piede diam. 75 mm

Leveller diam. 75 mm / Gelenkfuss Diam. 75 mm

Part	Article-Nr.	Sp	TH	L	L2	B	①	②
987	98701	M16	190	160	110	55	13	19
987	98702		240	210	130	85	13	19
987	98703	M20	190	160	110	55	16	24
987	98704		240	210	130	85	16	24
987	98705	M24	190	160	110	55	19	27
987	98706		240	210	130	85	19	27



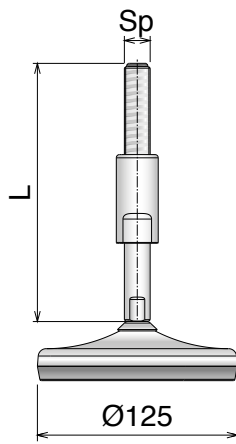
Piede diam. 100 mm

Leveller diam. 100 mm / Gelenkfuss Diam. 100 mm

Part	Article-Nr.	Sp	TH	L	L2	B	①	②
988	98801	M16	195	160	110	55	13	19
988	98802		245	210	130	85	13	19
988	98803	M20	195	160	110	55	16	24
988	98804		245	210	130	85	16	24
988	98805	M24	195	160	110	55	19	27
988	98806		245	210	130	85	19	27

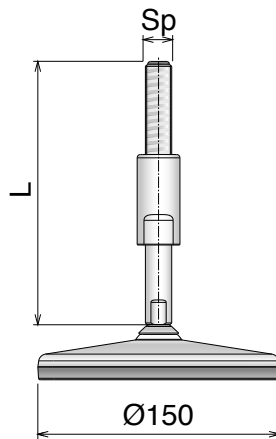
Materiale / Material / Materialien:

Basi, stelo e rondella: Acciaio inox
 Base plate, spindle and washer: Stainless steel
 Fussplatte, Spindel und Scheibe: Edelstahl



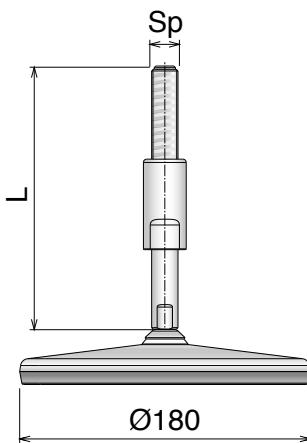
Piede diam. 125 mm
Leveller diam. 125 mm / Gelenkfuss Diam. 125 mm

Part	Article-Nr.	Sp	TH	L	L2	B	①	②
989	98901	M16	195	160	110	55	13	19
989	98902		245	210	130	85	13	19
989	98903	M20	195	160	110	55	16	24
989	98904		245	210	130	85	16	24
989	98905	M24	195	160	110	55	19	27
989	98906		245	210	130	85	19	27



Piede diam. 150 mm
Leveller diam. 150 mm / Gelenkfuss Diam. 150 mm

Part	Article-Nr.	Sp	TH	L	L2	B	①	②
990	99001	M16	195	160	110	55	13	19
990	99002		245	210	130	85	13	19
990	99003	M20	195	160	110	55	16	24
990	99004		245	210	130	85	16	24
990	99005	M24	195	160	110	55	19	27
990	99006		245	210	130	85	19	27



Piede diam. 180 mm
Leveller diam. 180 mm / Gelenkfuss Diam. 180 mm

Part	Article-Nr.	Sp	TH	L	L2	B	①	②
991	99101	M16	195	160	110	55	13	19
991	99102		245	210	130	85	13	19
991	99103	M20	195	160	110	55	16	24
991	99104		245	210	130	85	16	24
991	99105	M24	195	160	110	55	19	27
991	99106		245	210	130	85	19	27

934-939 Easy clean

Piedi / Leveling pads / Gelenkfüsse

• Materiale / Material / Materialien:

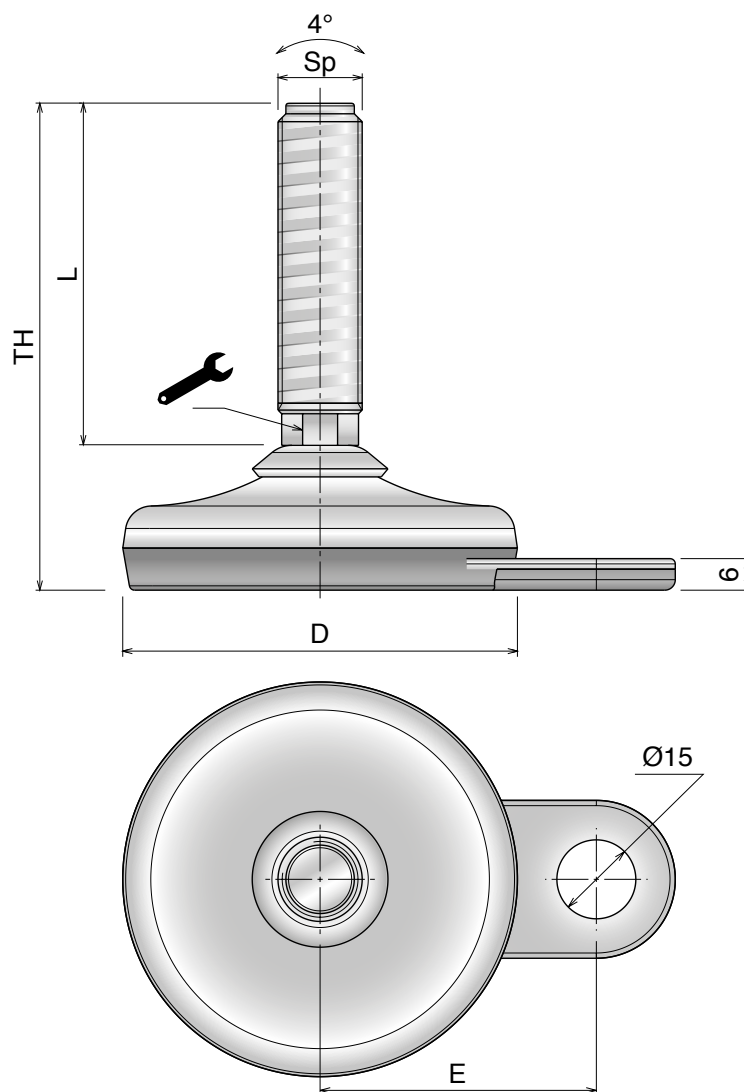
Basi, stelo e rondella: Acciaio inox

Base plate, spindle and washer: Stainless steel

Fussplatte, Spindel und Scheibe: Edelstahl

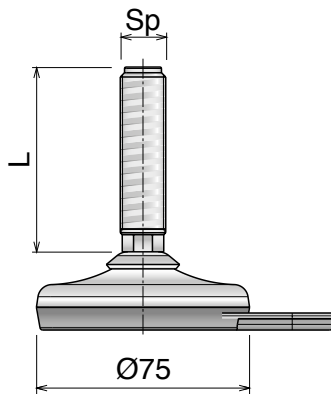
934-939 Easy clean

Delivery: **Easy** Standard

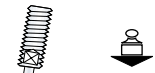


Materiale / Material / Materialien:

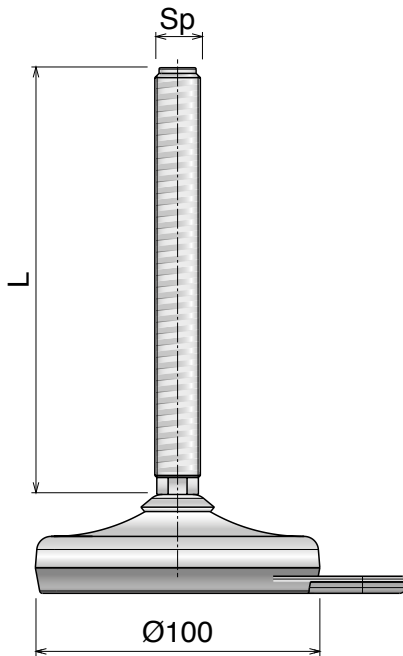
Basi, stelo e rondella: Acciaio inox
 Base plate, spindle and washer: Stainless steel
 Fussplatte, Spindel und Scheibe: Edelstahl



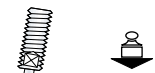
Piede diam. 75 mm con fori fissaggio
Leveller diam. 75 mm with fixing holes
Stellfuss diam. 75 mm mit Befestigungsbohrung



Part	Article-Nr.	Sp	E	TH	L		N
934	93401	M12	52,5	80	50	9	8.000
934	93402		52,5	105	75	9	
934	93403		52,5	155	125	9	
935	93501	M16	52,5	95	65	13	
935	93502		52,5	145	115	13	
935	93503		52,5	195	165	13	
936	93601	M20	52,5	95	65	16	
936	93602		52,5	120	90	16	
936	93603		52,5	170	140	16	



Piede diam. 100 mm con fori fissaggio
Leveller diam. 100 mm with fixing holes
Stellfuss diam. 100 mm mit Befestigungsbohrung



Part	Article-Nr.	Sp	E	TH	L		N
937	93701	M16	65	100	65	13	20.000
937	93702		65	150	115	13	
937	93703		65	200	165	13	
938	93801	M20	65	125	90	16	
938	93802		65	175	140	16	
938	93803		65	225	190	16	
939	93901	M24	65	125	90	19	
939	93902		65	175	140	19	
939	93903		65	225	190	19	

Accessori / Accessories / Zubehör



Dadi acciaio inox
Stainless steel nuts / Mutter Edelstahl

Part	Article-Nr.	Spindle
998	99802	M12
998	99804	M16
998	99805	M20
998	99806	M24
998	99807	M30

992-993 Easy clean

Piedi / Leveling pads / Gelenkfüsse

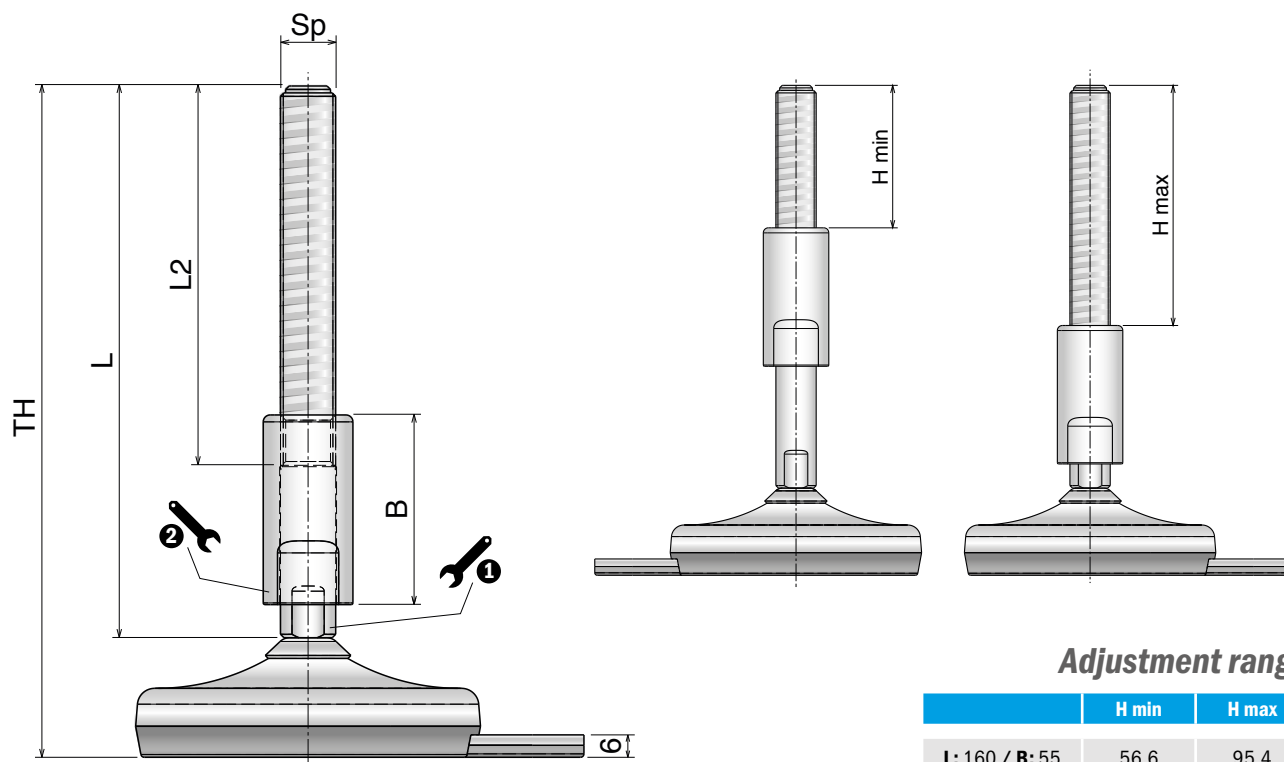
• Materiale / Material / Materialien:

Basi, stelo e rondella: Acciaio inox

Base plate, spindle and washer: Stainless steel

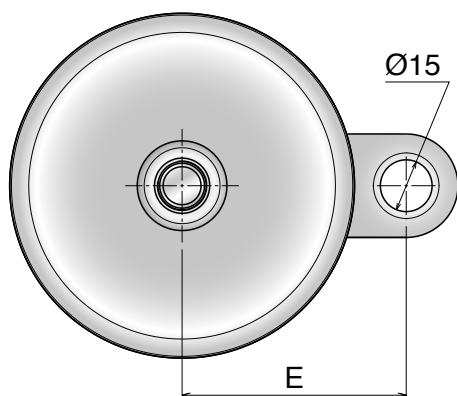
Fussplatte, Spindel und Scheibe: Edelstahl

992-993 Easy clean



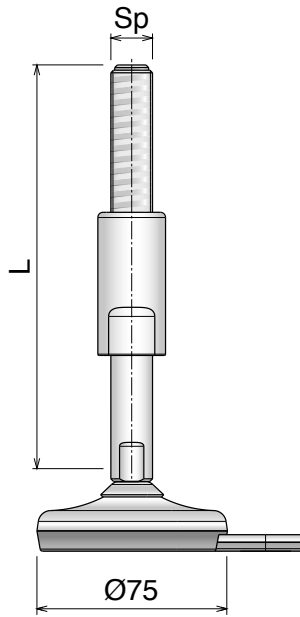
Adjustment range

	H min	H max
L: 160 / B: 55	56,6	95,4
L: 210 / B: 85	45,6	114,5



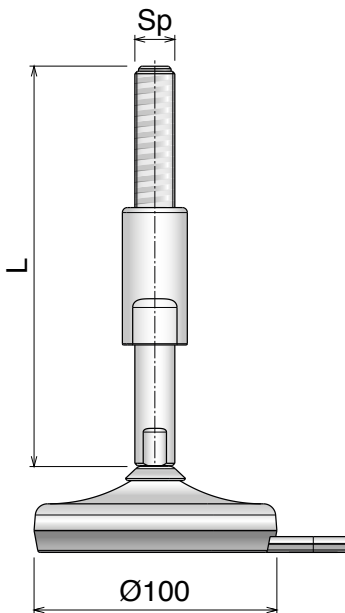
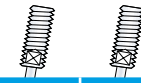
Materiale / Material / Materialien:

Basi, stelo e rondella: Acciaio inox
 Base plate, spindle and washer: Stainless steel
 Fussplatte, Spindel und Scheibe: Edelstahl



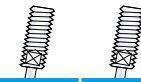
Piede diam. 75 mm con fori fissaggio
 Leveller diam. 75 mm with fixing holes
 Stellfuss diam. 75 mm mit Befestigungsbohrung

Part	Article-Nr.	Sp	TH	L	L2	B	E	①	②
992	99201	M16	190	160	110	55	52,5	13	19
992	99202		240	210	130	85	52,5	13	19
992	99203	M20	190	160	110	55	52,5	16	24
992	99204		240	210	130	85	52,5	16	24
992	99205	M24	190	160	110	55	52,5	19	27
992	99206		240	210	130	85	52,5	19	27



Piede diam. 100 mm con fori fissaggio
 Leveller diam. 100 mm with fixing holes
 Stellfuss diam. 100 mm mit Befestigungsbohrung

Part	Article-Nr.	Sp	TH	L	L2	B	E	①	②
993	99301	M16	195	160	110	55	65	13	19
993	99302		245	210	130	85	65	13	19
993	99303	M20	195	160	110	55	65	16	24
993	99304		245	210	130	85	65	16	24
993	99305	M24	195	160	110	55	65	19	27
993	99306		245	210	130	85	65	19	27



Accessori / Accessories / Zubehör



Dadi acciaio inox
 Stainless steel nuts / Mutter Edelstahl

Part	Article-Nr.	Spindle
998	99804	M16
998	99805	M20
998	99806	M24

960-971

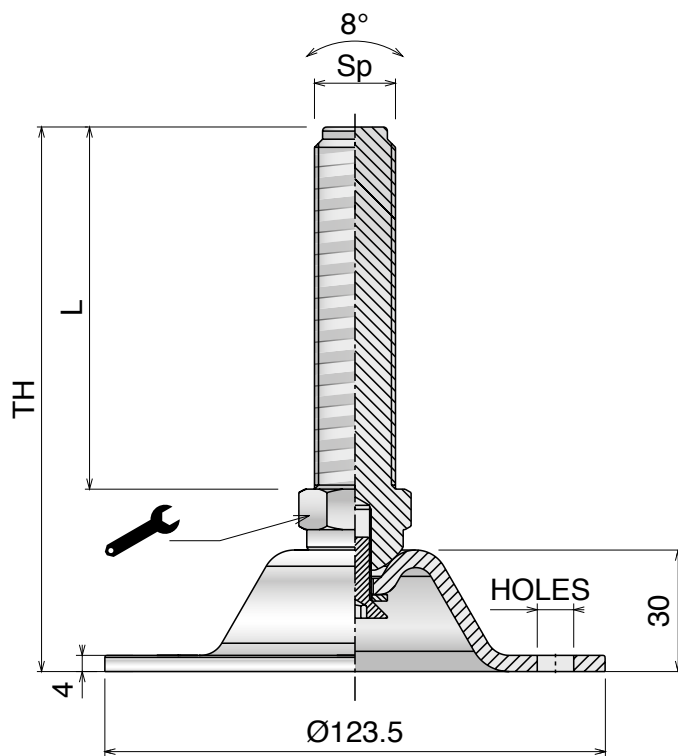
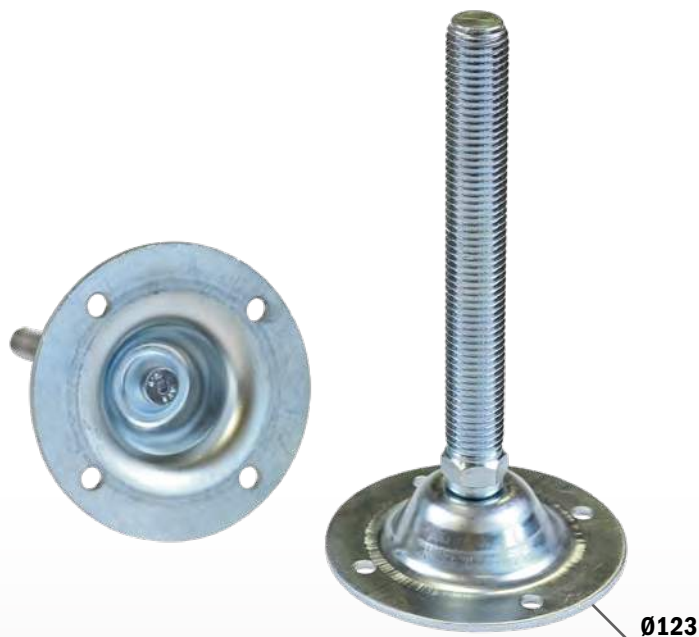
Piedi / Leveling pads / Gelenkfüsse

Material / Material / Materialien:

Acciaio inox o Ferro zincato
Stainless steel or Zinc plated steel
Edelstahl oder Stahl Verzinkt

960-971

Delivery: **Easy** Standard

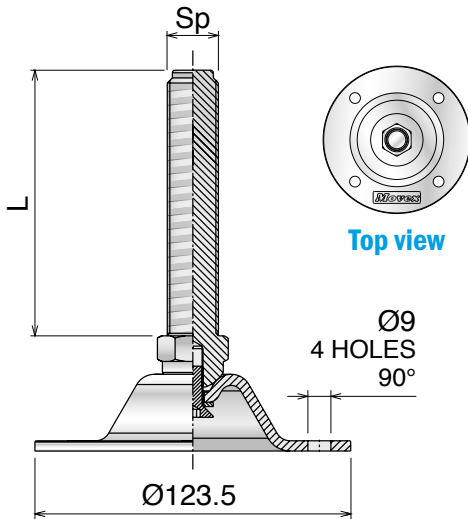


Accessori / Accessories / Zubehör

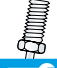

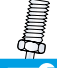



Dadi acciaio inox
Stainless steel nuts / Mutter Edelstahl

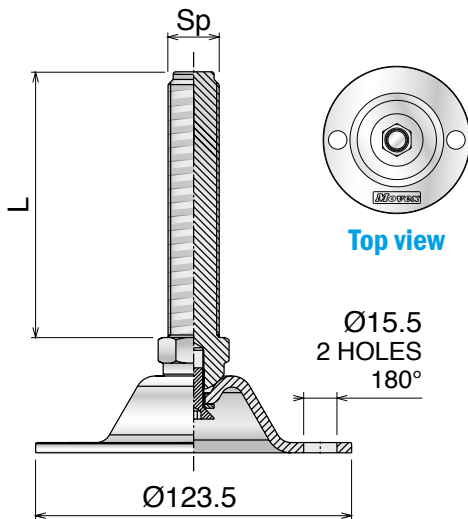
Part	Article-Nr.	Spindle
998	99804	M16
998	99805	M20
998	99806	M24
998	99807	M30



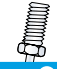

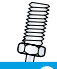

Piede diam. 123 mm con 4 fori 90°
 Leveller diam. 123 mm with 4 holes 90°
 Stellfuss diam. 123 mm mit 4 Befestigungsbohrung 90°

Part	SS	FeZn	Sp	TH	L			N
960	96001H	96001ZH	M16	155	115	20		
960	96002H	96002ZH		175	135	20		
961	96101H	96101ZH	M20	160	115	24		
961	96102H	96102ZH		175	135	24		
962	96201H	96201ZH	M24	170	125	24		
962	96202H	96202ZH		230	185	24		
963	96301H	96301ZH	M30	170	125	30		
963	96302H	96302ZH		230	185	30		

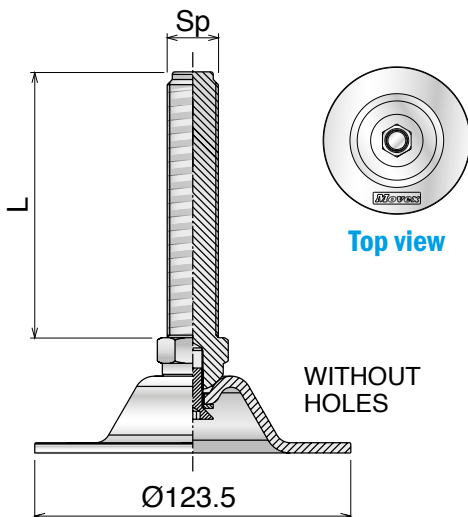
10.000



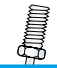

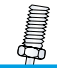

Piede diam. 123 mm con 2 fori 180°
 Leveller diam. 123 mm with 2 holes 180°
 Stellfuss diam. 123 mm mit 2 Befestigungsbohrung 180°

Part	SS	FeZn	Sp	TH	L			N
964	96401H	96401ZH	M16	155	115	20		
964	96402H	96402ZH		175	135	20		
965	96501H	96501ZH	M20	160	115	24		
965	96502H	96502ZH		175	135	24		
966	96601H	96601ZH	M24	170	125	24		
966	96602H	96602ZH		230	185	24		
967	96701H	96701ZH	M30	170	125	32		
967	96702H	96702ZH		230	185	32		

10.000



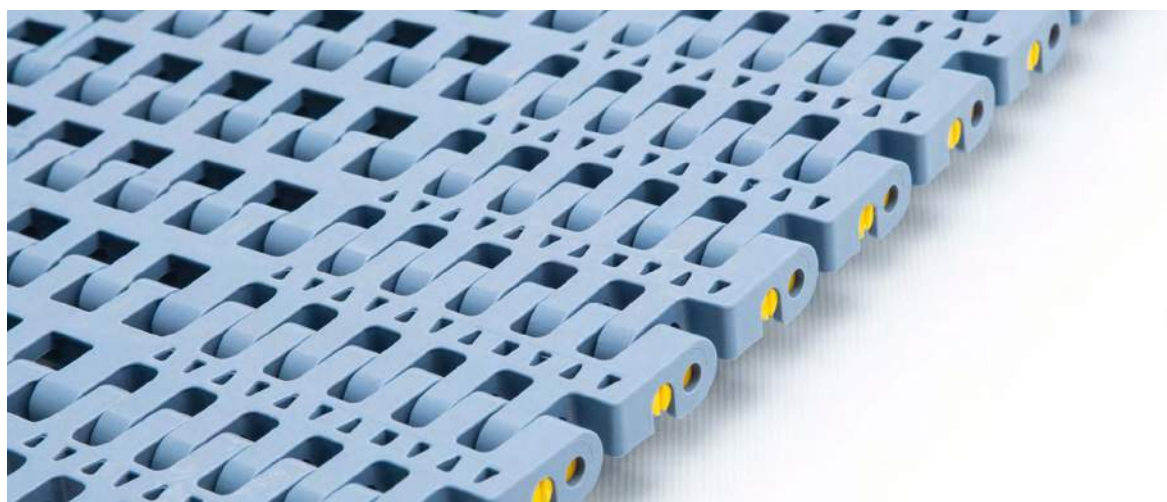
Piede diam. 123 mm senza fori
 Leveller diam. 123 mm without holes
 Stellfuss diam. 123 mm ohne Befestigungsbohrung

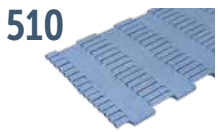
Part	SS	FeZn	Sp	TH	L			N
968	96801H	96801ZH	M16	155	115	20		
968	96802H	96802ZH		175	135	20		
969	96901H	96901ZH	M20	160	115	24		
969	96902H	96902ZH		175	135	24		
970	97001H	97001ZH	M24	170	125	24		
970	97002H	97002ZH		230	185	24		
971	97101H	97101ZH	M30	170	125	30		
971	97102H	97102ZH		230	185	30		

10.000

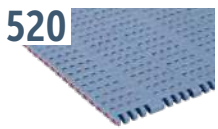
Movex[®]

movexii.com

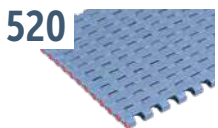




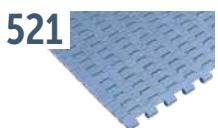
510 FT
Pag 482



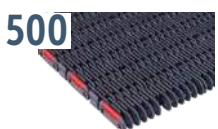
520 HD FT
520 PRO LBP
Pag 482



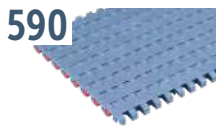
520 FT
520 FG
520 GT
520 LBP
520 FTT
Pag 483



521 FT
Pag 484



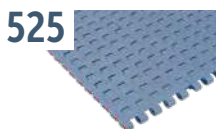
500 RR
Pag 484



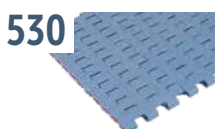
590 FT
Pag 485

590 FT One track Belt
Pag 486

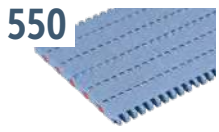
590 FTT
Pag 487



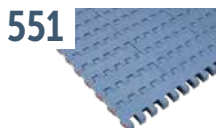
525 HD FT
525 HD FG
525 HD GT
525 HD GT Side indent
525 FTT
Pag 488



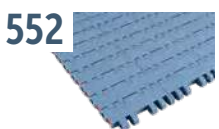
530 FT
530 GT
530 GT Side indent
530 LBP
530 FTT
Pag 489



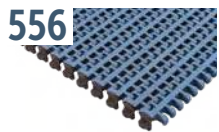
550 FT
550 FG
550 GT
550 GT Side indent
550 FTT
Pag 490



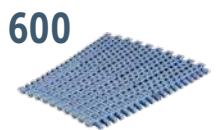
551 FT
551 GT
551 GT Side indent
551 LBP
551 PRO LBP
551 FTT
Pag 491



552 FT
552 PT
552 GT
552 GT Side indent
Pag 492
552 FT One track Belt
552 FTT
Pag 493

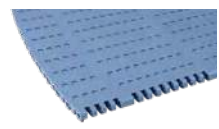


556 FT
556 GT
Pag 494

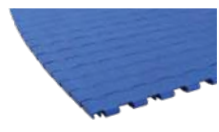


600 Standard
Pag 495
600 Heavy duty
Pag 496/497
600 Heavy duty with Bearings
Pag 498/499
600 Small radius
Pag 500/501
600 Heavy duty/ Small radius
Pag 502/503
600 Heavy duty/ Small radius with Bearings
Pag 504/505

Support sprocket
Split support roller
Pag 506



ZERO CONTACT
Dedicated Sprockets
Pag 507



ZERO CONTACT PRO
1 Track version
R586
Pag 508

R756
Pag 509

R1011
Pag 510

2 Track version
R586
Pag 511

R756
Pag 512

R1011
Pag 513

Dedicated Sprockets
Pag 514

Sprockets position manual

510 Series / 520 Series / OPTIMIZED SPROCKETS POSITION

Manuale posizionamento ruote / Sprockets position manual / Einbauhinweise kettenräder

Belt width (in/mm)	Recommended n° of sprockets*
3 / 76.2	1
6 / 152.4	2
9 / 228.6	3
12 / 304.5	4
15 / 381.0	5
18 / 457.2	6
21 / 533.4	7
24 / 609.6	8

*If more sprockets are required contact application engineering.

IMPORTANT

- Add sprocket positions every 76,2 mm according to 76,2 mm width increments of the belt corresponding with 76,2 mm conveyor track pitch system.

⊗ It's **NOT** possible to place the sprockets in this position.

Belt width (in/mm)	Recommended n° of sprockets*
85	1
170	2
255	3
340	4
425	5
510	6
595	7
680	8

*If more sprockets are required contact application engineering.

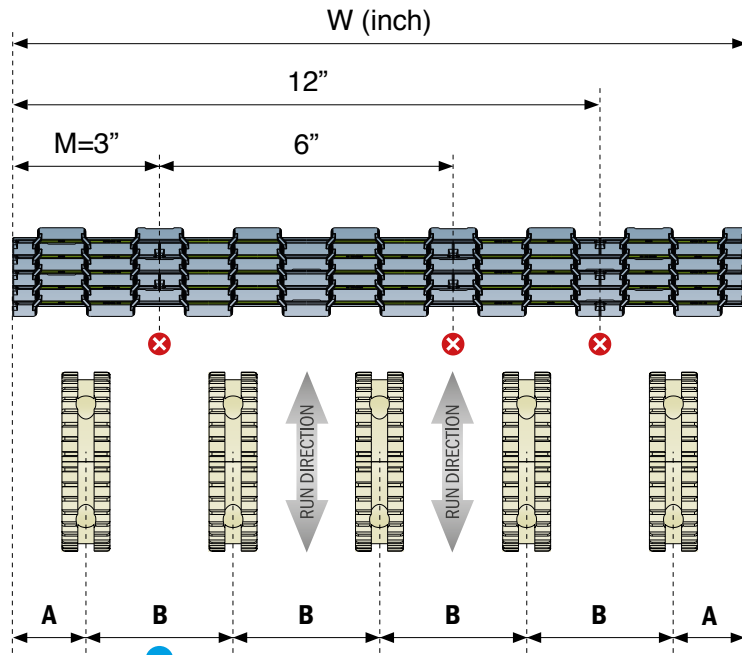
IMPORTANT

- Add sprocket positions every 85 mm according to 85 mm width increments of the belt corresponding with 85 mm conveyor track pitch system.

⊗ It's **NOT** possible to place the sprockets in this position.

SPROCKETS POSITION FOR:
510 FT

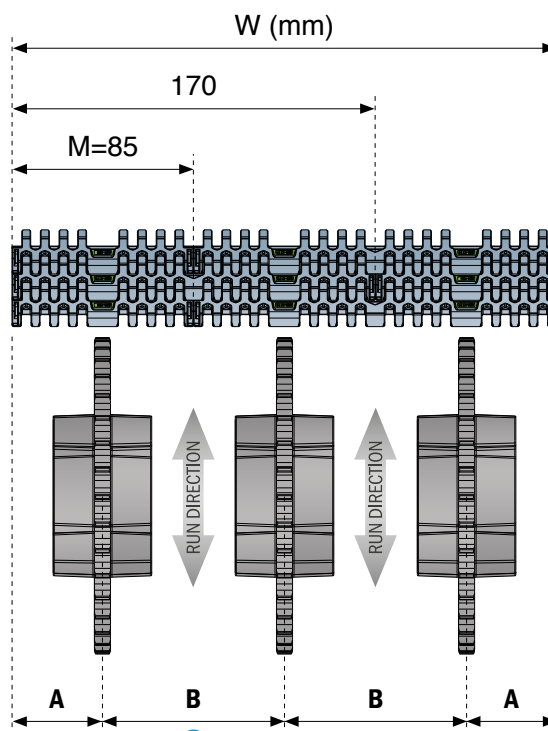
👁️ BOTTOM VIEW
● Contact point



A: 1,5" (38,1 mm) B: 3" (76,2 mm /steps)

SPROCKETS POSITION FOR:
520 HD FT - 520 PRO LBP

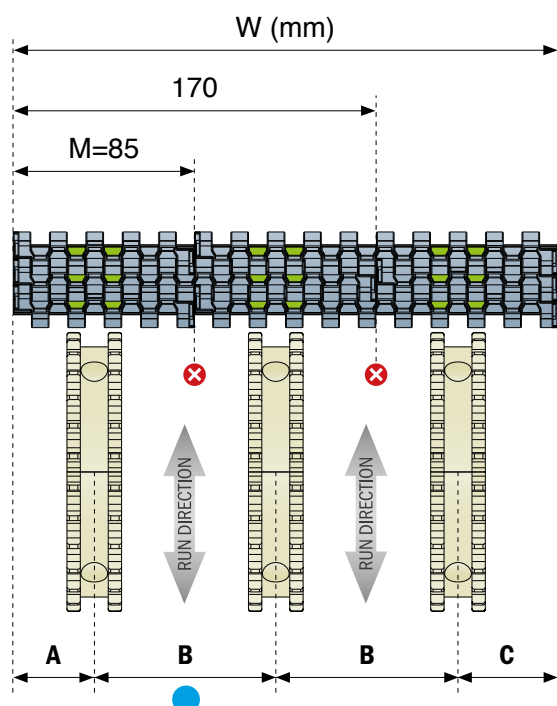
👁️ BOTTOM VIEW
● Contact point



A: 46,5 mm B: 85 mm (steps)

SPROCKETS POSITION FOR:
520 FT - 520 FG - 520 GT - 520 LBP

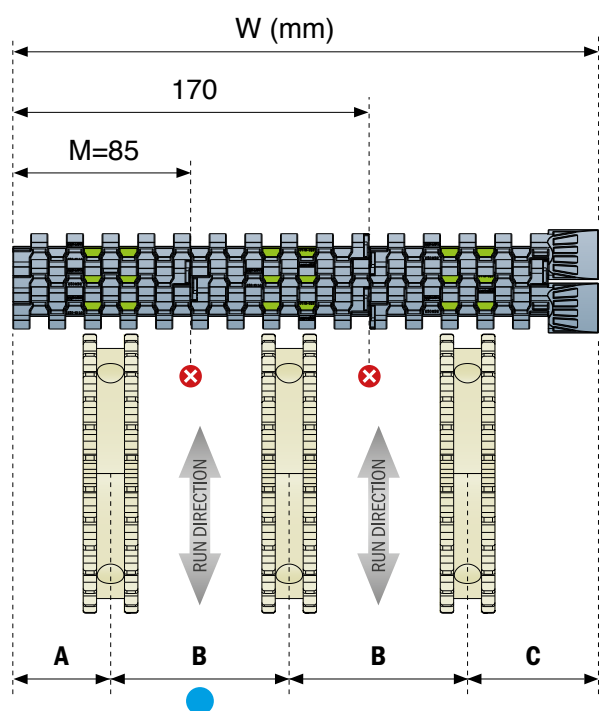
BOTTOM VIEW
 Contact point



A: 38,25 mm **B:** 85 mm (steps) **C:** 46,75 mm

SPROCKETS POSITION FOR:
520 FTT

BOTTOM VIEW
 Contact point



A: 46,75 mm **B:** 85 mm (steps) **C:** 62,25 mm

Belt width (mm)	Recommended n° of sprockets*
85	1
170	2
255	3
340	4
425	5
510	6
595	7
680	8
765	9
850	10
935	11
1020	12
1105	13
1190	14
1275	15
1360	16
1445	17
1530	18

*If more sprockets are required contact application engineering.

IMPORTANT

Add sprocket positions every 85 mm according to 85 mm width increments of the belt corresponding with 85 mm conveyor track pitch system.

It's **NOT** possible to place the sprockets in this position.

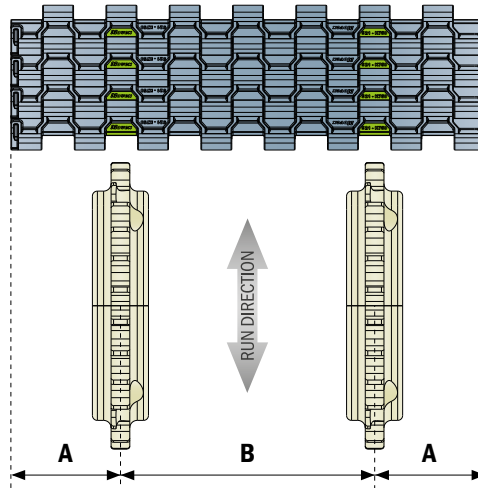
521 Series / 500 Series / OPTIMIZED SPROCKETS POSITION

Manuale posizionamento ruote / Sprockets position manual / Einbauhinweise kettenräder

SPROCKETS POSITION FOR:
521 FT

BOTTOM VIEW
 Contact point

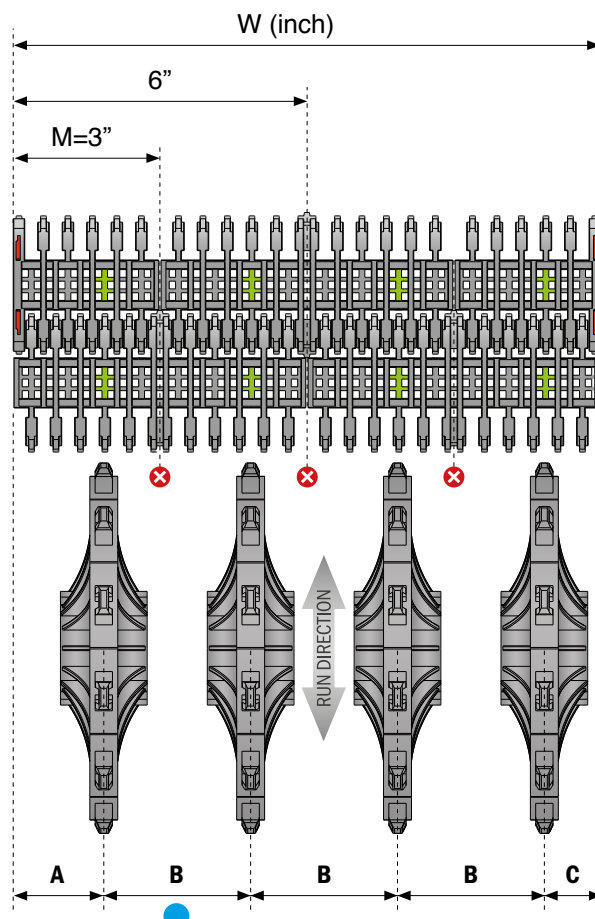
K750 7,5" (190,5 mm)



A: 2,25" (57,15 mm) B: 3" (76,2 mm /steps)

SPROCKETS POSITION FOR:
500 RR

BOTTOM VIEW
 Contact point



A: 1,85" (47 mm)
B: 3" (76,2 mm)
C: 1,15" (29,2 mm)

Belt width (in/mm)	Recommended n° of sprockets*
3 / 76.2	1
6 / 152.4	2
9 / 228.6	3
12 / 304.5	4
15 / 381.0	5
18 / 457.2	6
21 / 533.4	7
24 / 609.6	8
27 / 685.8	9
30 / 762.0	10
33 / 838.2	11
36 / 914.4	12

*If more sprockets are required contact application engineering.

IMPORTANT

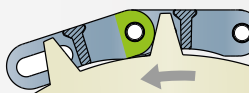
Add sprocket positions every 76,2 mm according to 76,2 mm width increments of the belt corresponding with 76,2 mm conveyor track pitch system.

It's **NOT** possible to place the sprockets in this position.

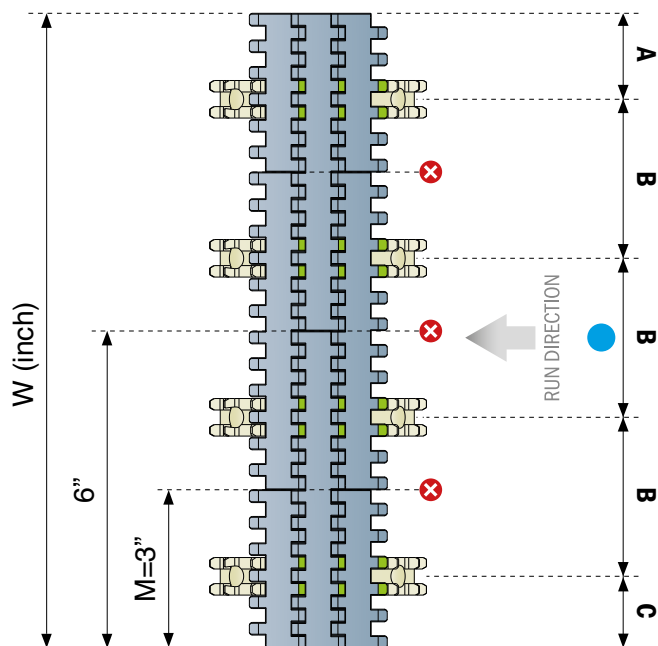
Manuale posizionamento ruote / Sprockets position manual / Einbauhinweise kettenräder

1 Gearmotor section

Contact point



SPROCKETS POSITION FOR: 590 FT



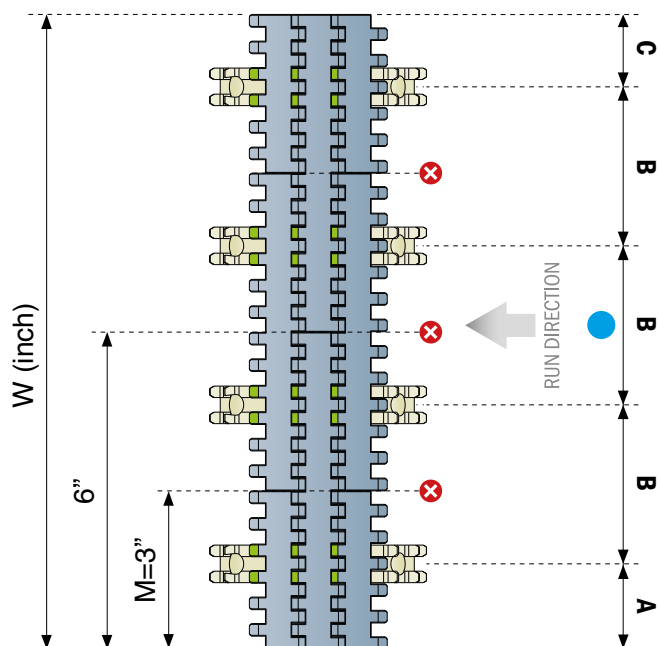
A: 1,62" (41,2 mm) **B:** 3" (76,2 mm /steps) **C:** 1,37" (34,9 mm)

2 Return section

Contact point



SPROCKETS POSITION FOR: 590 FT



A: 1,62" (41,2 mm) **B:** 3" (76,2 mm /steps) **C:** 1,37" (34,9 mm)



STRAIGHT Running

Belt width (in/mm)	Recommended n° of sprockets*
3 / 76.2	1
6 / 152.4	2
9 / 228.6	3
12 / 304.5	4
15 / 381.0	5
18 / 457.2	6
21 / 533.4	7
24 / 609.6	8
27 / 685.8	9
30 / 762.0	10
33 / 838.2	11
36 / 914.4	12
39 / 990.6	13
42 / 1066.8	14
45 / 1143.0	15
48 / 1219.2	16
51 / 1295.4	17
54 / 1371.6	18

*If more sprockets are required contact application engineering.

IMPORTANT

● Add sprocket positions every 76,2 mm according to 76,2 mm width increments of the belt corresponding with 76,2 mm conveyor track pitch system.

✗ It's **NOT** possible to place the sprockets in this position.



STRAIGHT Running

Belt width (in/mm)	Recommended n° of sprockets*
3 / 76.2	1
6 / 152.4	2
9 / 228.6	3
12 / 304.5	4
15 / 381.0	5
18 / 457.2	6
21 / 533.4	7
24 / 609.6	8
27 / 685.8	9
30 / 762.0	10
33 / 838.2	11
36 / 914.4	12
39 / 990.6	13
42 / 1066.8	14
45 / 1143.0	15
48 / 1219.2	16
51 / 1295.4	17
54 / 1371.6	18

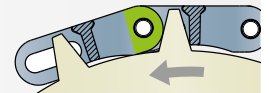
*If more sprockets are required contact application engineering.

IMPORTANT

● Add sprocket positions every 76,2 mm according to 76,2 mm width increments of the belt corresponding with 76,2 mm conveyor track pitch system.

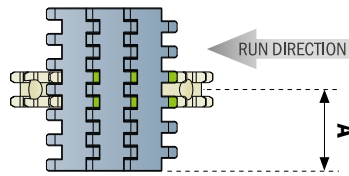
1 Gearmotor section

Contact point



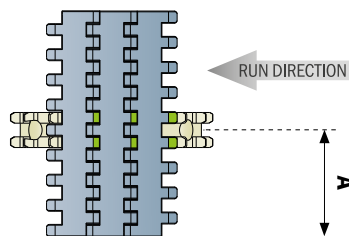
SPROCKETS POSITION FOR: 590 FT One track Belt

K325 3,25" (82,55 mm)



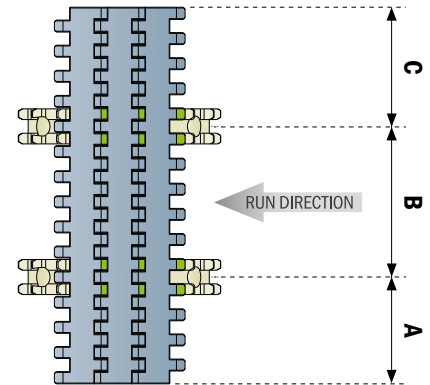
A: 1,62" (41,2 mm)

K450 4,5" (114,3 mm)



A: 2,12" (54 mm)

K750 7,5" (190,5 mm)



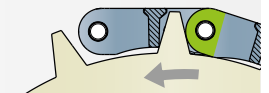
A: 2,12" (54 mm)

B: 3" (76,2 mm)

C: 2,37" (60,3 mm)

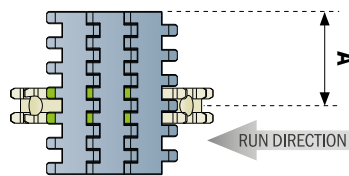
2 Return section

Contact point



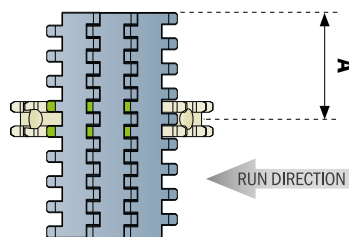
SPROCKETS POSITION FOR: 590 FT One track Belt

K325 3,25" (82,55 mm)



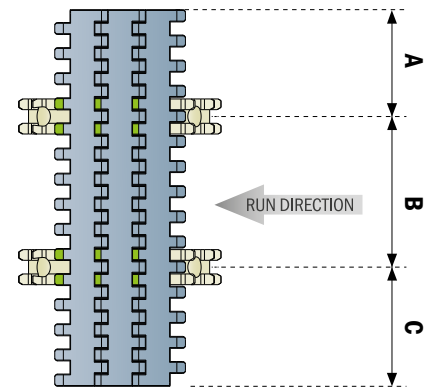
A: 1,87" (47,55 mm)

K450 4,5" (114,3 mm)



A: 2,12" (54 mm)

K750 7,5" (190,5 mm)



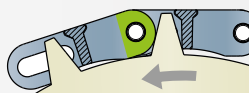
A: 2,12" (54 mm)

B: 3" (76,2 mm)

C: 2,37" (60,3 mm)

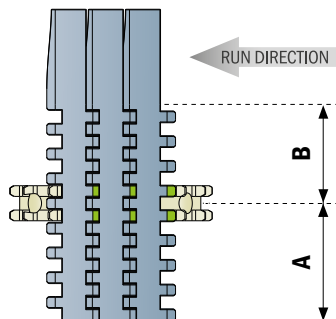
1 Gearmotor section

Contact point



SPROCKETS POSITION FOR: 590 FTT

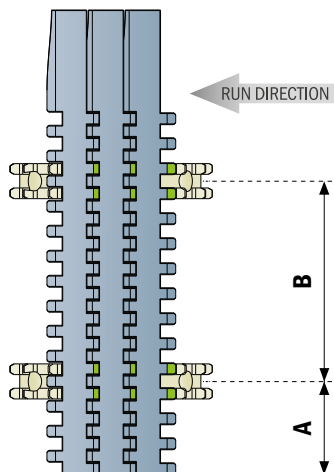
K450 4,5" (114,3 mm)



A min: 2,37" (60,3 mm)

B min: 2" (50,8 mm)

K750 7,5" (190,5 mm)



A min: 1,87" (47,55 mm)

B min: 4" (101,6 mm)



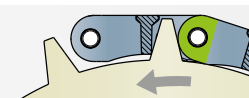
590 FTT Running

Belt width (in/mm)	Recommended n° of sprockets*
3 / 76.2	1
6 / 152.4	2
9 / 228.6	3
12 / 304.5	4
15 / 381.0	5
18 / 457.2	6
21 / 533.4	7
24 / 609.6	8
27 / 685.8	9
30 / 762.0	10
33 / 838.2	11
36 / 914.4	12
39 / 990.6	13
42 / 1066.8	14
45 / 1143.0	15
48 / 1219.2	16
51 / 1295.4	17
54 / 1371.6	18

*If more sprockets are required contact application engineering.

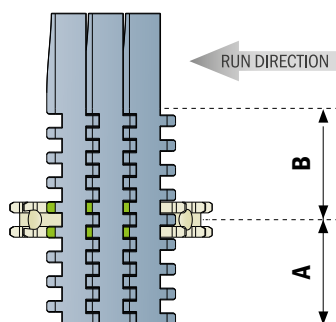
2 Return section

Contact point



SPROCKETS POSITION FOR: 590 FTT

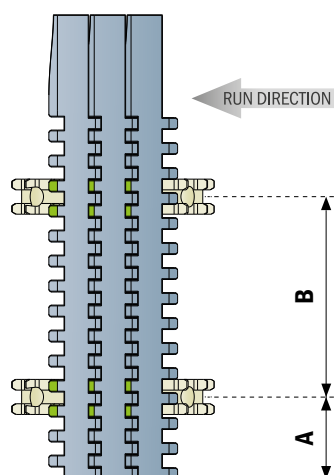
K450 4,5" (114,3 mm)



A min: 2,12" (54 mm)

B min: 2,12" (54 mm)

K750 7,5" (190,5 mm)



A min: 1,62" (41,2 mm)

B min: 4" (101,6 mm)

IMPORTANT

● Add sprocket positions every 76,2 mm according to 76,2 mm width increments of the belt corresponding with 76,2 mm conveyor track pitch system.

525 Series / OPTIMIZED SPROCKETS POSITION

Manuale posizionamento ruote / Sprockets position manual / Einbauhinweise kettenräder

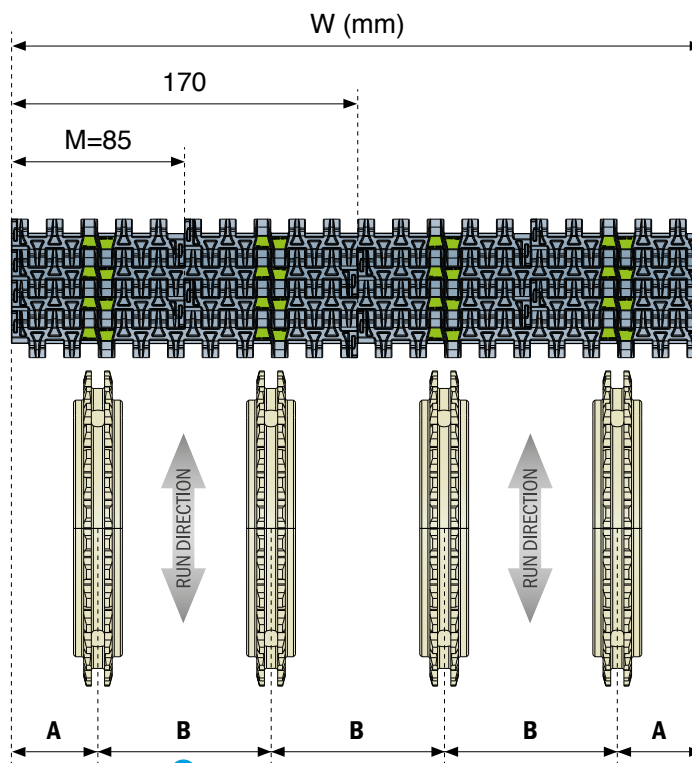
Belt width (mm)	Recommended n° of sprockets*
85	1
170	2
255	3
340	4
425	5
510	6
595	7
680	8
765	9
850	10
935	11
1020	12
1105	13
1190	14
1275	15
1360	16
1445	17
1530	18

*If more sprockets are required contact application engineering.

SPROCKETS POSITION FOR:

525 HD FT - 525 HD FG - 525 HD GT - 525 HD GTsi

👁️ BOTTOM VIEW
● Contact point



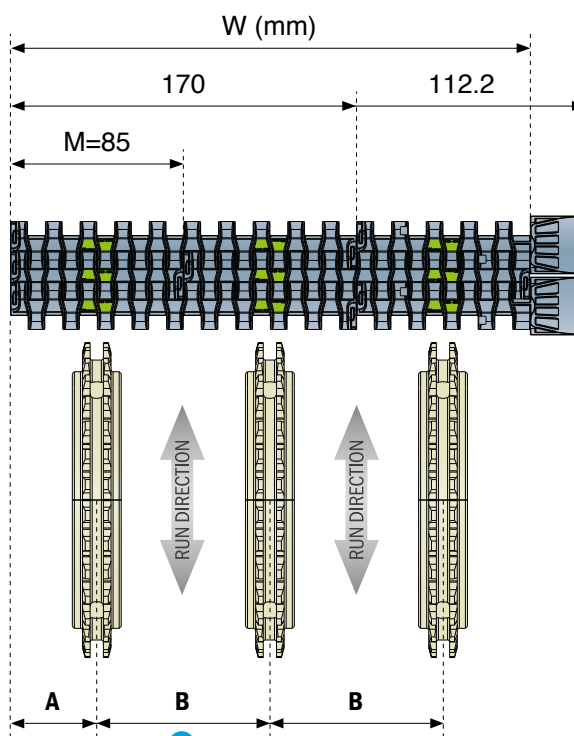
A minimum: 42,5 mm

B minimum: 85 mm (steps)

SPROCKETS POSITION FOR:

525 FTT

👁️ BOTTOM VIEW
● Contact point



A minimum: 42,5 mm

B minimum: 85 mm (steps)

IMPORTANT

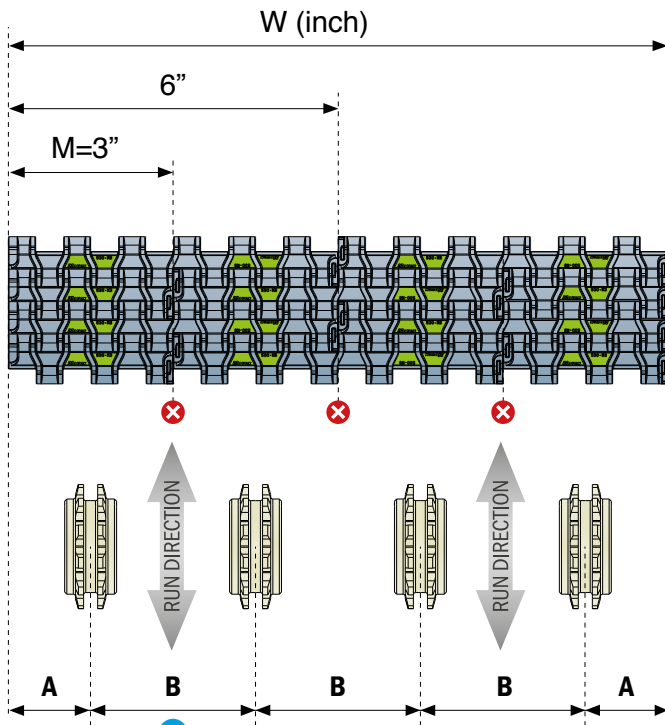
● Add sprocket positions every 85 mm according to 85 mm width increments of the belt corresponding with 85 mm conveyor track pitch system.

SPROCKETS POSITION FOR:

530 FT - 530 GT - 530 GTsi - 530 LBP

BOTTOM VIEW

Contact point



A: 1,5" (38,1 mm)

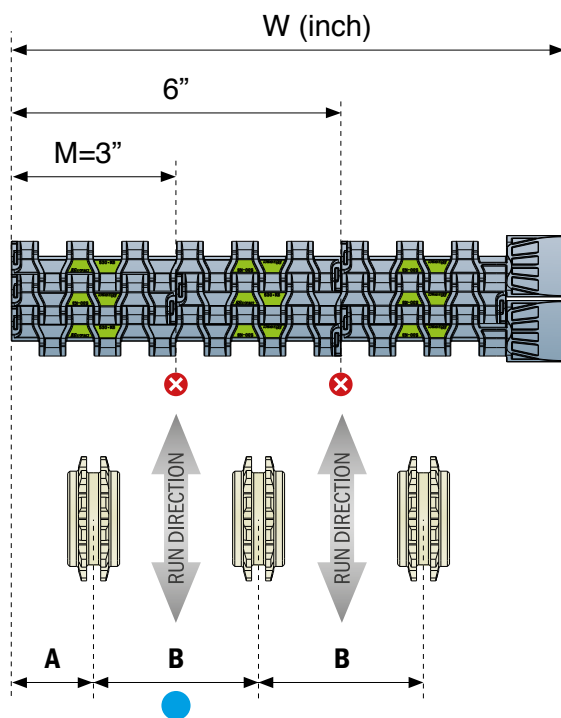
B: 3" (76,2 mm /steps)

SPROCKETS POSITION FOR:

530 FTT

BOTTOM VIEW

Contact point



A: 1,5" (38,1 mm)

B: 3" (76,2 mm /steps)

Belt width (in/mm)	Recommended n° of sprockets*
3 / 76.2	1
6 / 152.4	2
9 / 228.6	3
12 / 304.5	4
15 / 381.0	5
18 / 457.2	6
21 / 533.4	7
24 / 609.6	8
27 / 685.8	9
30 / 762.0	10
33 / 838.2	11
36 / 914.4	12
39 / 990.6	13
42 / 1066.8	14
45 / 1143.0	15
48 / 1219.2	16
51 / 1295.4	17
54 / 1371.6	18

*If more sprockets are required contact application engineering.

IMPORTANT

Add sprocket positions every 76,2 mm according to 76,2 mm width increments of the belt corresponding with 76,2 mm conveyor track pitch system.

It's **NOT** possible to place the sprockets in this position.

550 Series / OPTIMIZED SPROCKETS POSITION

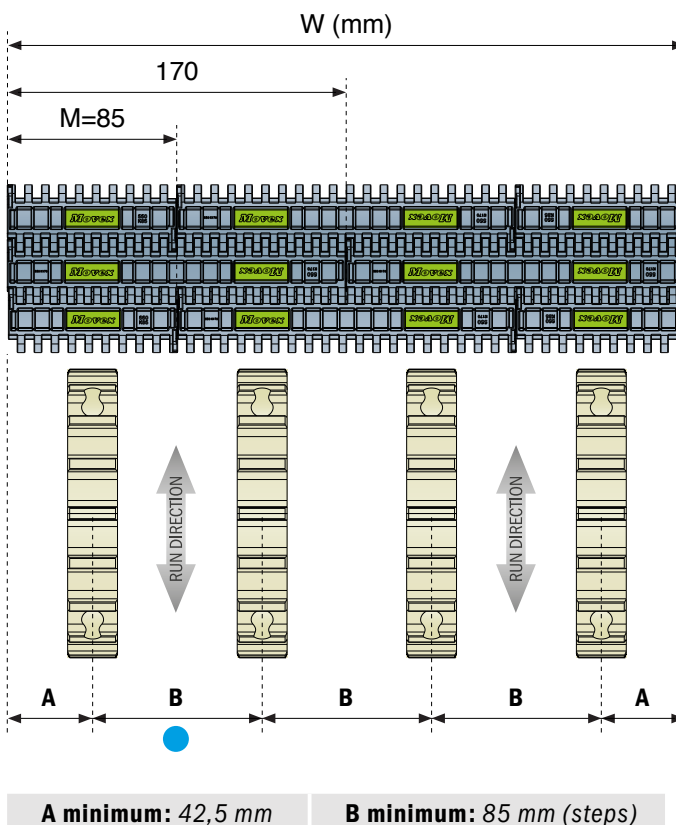
Manuale posizionamento ruote / Sprockets position manual / Einbauhinweise kettenräder

Belt width (mm)	Recommended n° of sprockets*
85	1
170	2
255	3
340	4
425	5
510	6
595	7
680	8
765	9
850	10
935	11
1020	12
1105	13
1190	14
1275	15
1360	16
1445	17
1530	18

*If more sprockets are required contact application engineering.

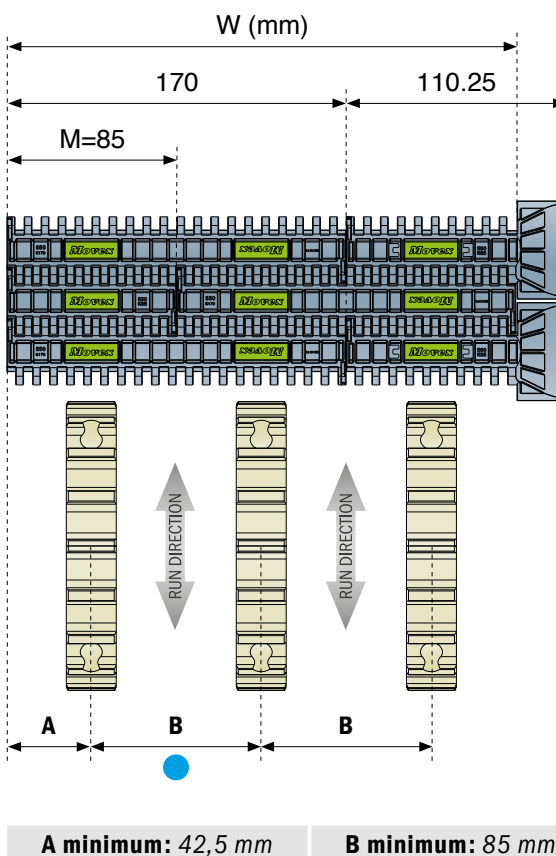
SPROCKETS POSITION FOR:
550 FT - 550 FG - 550 GT - 550 GTsi

👁️ BOTTOM VIEW
● Contact point



SPROCKETS POSITION FOR:
550 FTT

👁️ BOTTOM VIEW
● Contact point



IMPORTANT

● Add sprocket positions every 85 mm according to 85 mm width increments of the belt corresponding with 85 mm conveyor track pitch system.

551 Series / OPTIMIZED SPROCKETS POSITION

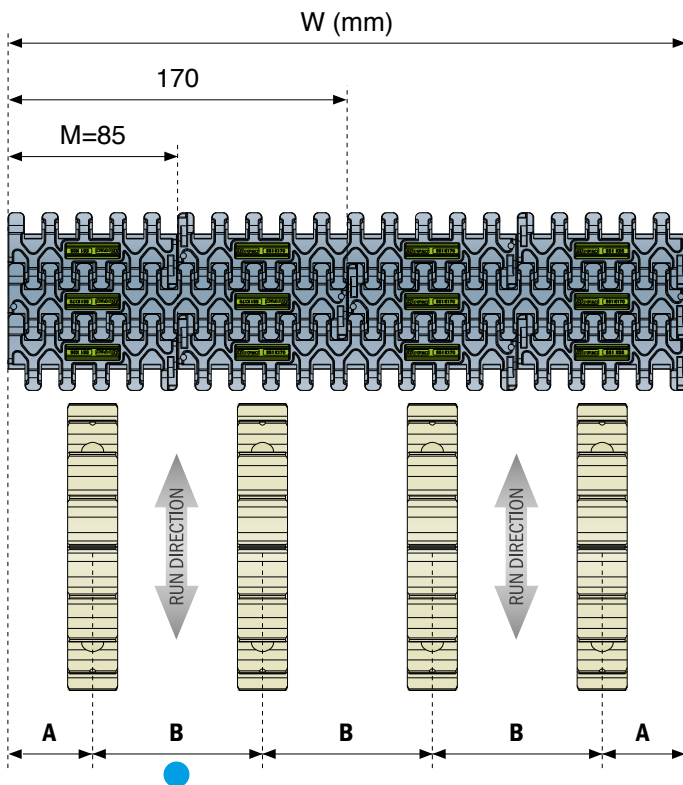
Manuale posizionamento ruote / Sprockets position manual / Einbauhinweise kettenräder

SPROCKETS POSITION FOR:

551 FT - 551 GT - 551 GTsi - 551 LBP - 551 PRO LBP

 BOTTOM VIEW

 **Contact point**



A minimum: 42,5 mm

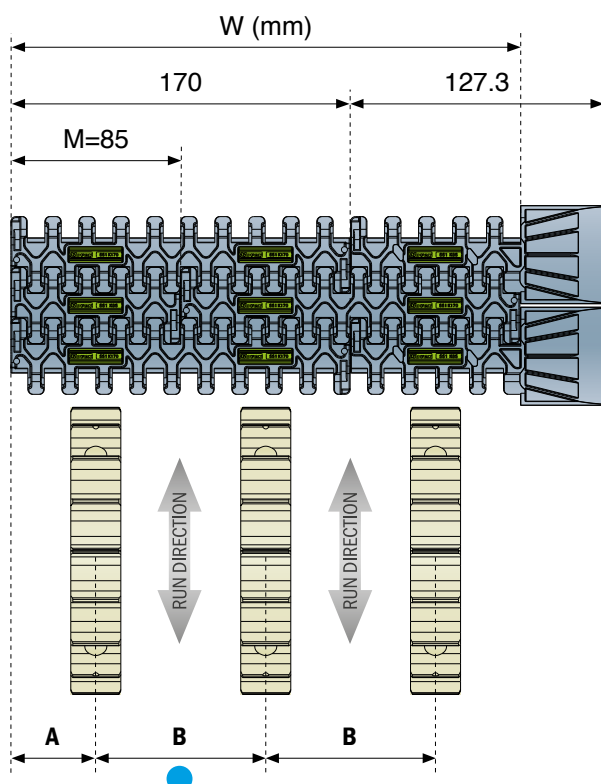
B minimum: 85 mm (steps)

SPROCKETS POSITION FOR:

551 FTT

 BOTTOM VIEW

 **Contact point**




A minimum: 42,5 mm

B minimum: 85 mm (steps)

Belt width (mm)	Recommended n° of sprockets*
85	1
170	2
255	3
340	4
425	5
510	6
595	7
680	8
765	9
850	10
935	11
1020	12
1105	13
1190	14
1275	15
1360	16
1445	17
1530	18

*If more sprockets are required contact application engineering.

IMPORTANT

 Add sprocket positions every 85 mm according to 85 mm width increments of the belt corresponding with 85 mm conveyor track pitch system.

552 Series / OPTIMIZED SPROCKETS POSITION

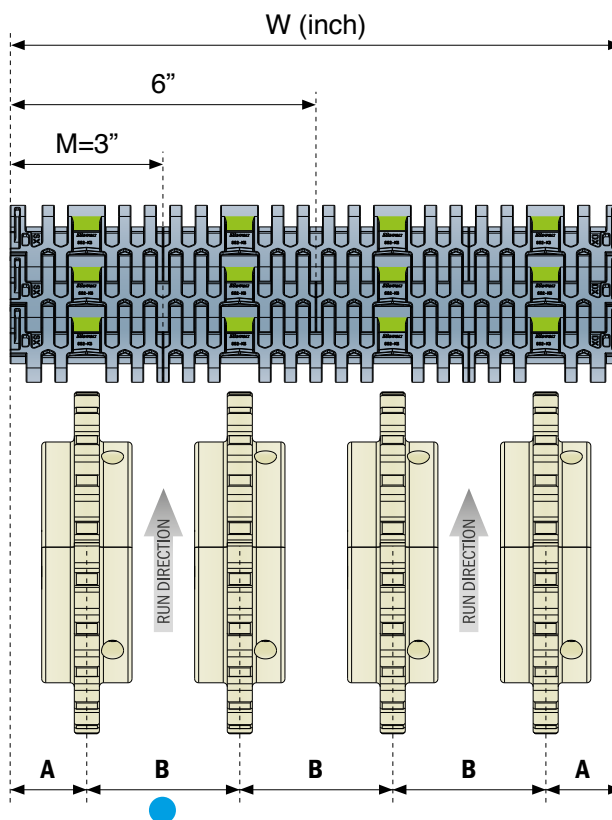
Manuale posizionamento ruote / Sprockets position manual / Einbauhinweise kettenräder

👁️ BOTTOM VIEW
● Contact point

Belt width (in/mm)	Recommended n° of sprockets*
3 / 76.2	1
6 / 152.4	2
9 / 228.6	3
12 / 304.5	4
15 / 381.0	5
18 / 457.2	6
21 / 533.4	7
24 / 609.6	8
27 / 685.8	9
30 / 762.0	10
33 / 838.2	11
36 / 914.4	12
39 / 990.6	13
42 / 1066.8	14
45 / 1143.0	15
48 / 1219.2	16
51 / 1295.4	17
54 / 1371.6	18

*If more sprockets are required contact application engineering.

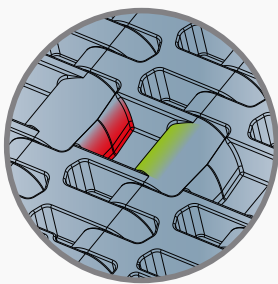
SPROCKETS POSITION FOR:
552 FT - 552 PT - 552 GT - 552 GTsi



A minimum: 1,5" (38,1 mm)

B minimum: 3" (76,2 mm)

ENGAGEMENT ZOOM



Correct contact point

Wrong contact point

IMPORTANT

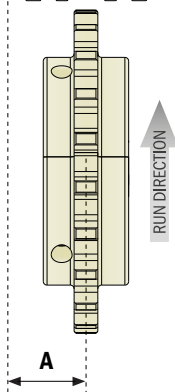
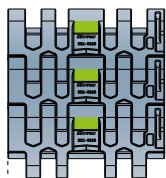
● Add sprocket positions every 76,2 mm according to 76,2 mm width increments of the belt corresponding with 76,2 mm conveyor track pitch system.

SPROCKETS POSITION FOR:
552 FT One track belt

BOTTOM VIEW
 Contact point

K325

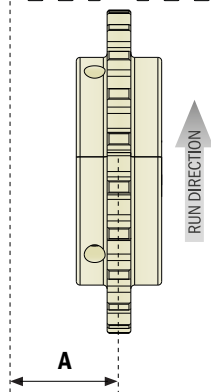
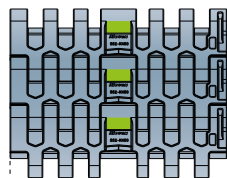
3,25" (82,55 mm)



A: 1,62"
(41,3 mm)

K450

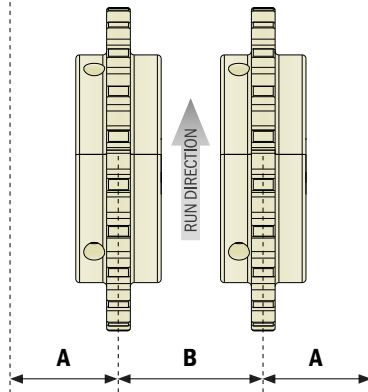
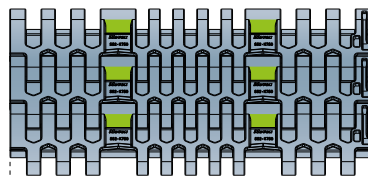
4,5" (114,3 mm)



A: 2,25"
(57,15 mm)

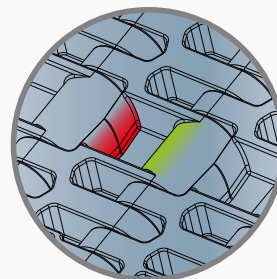
K750

7,5" (190,5 mm)



A: 2,25" (57,15 mm)
B: 3" (76,2 mm)

ENGAGEMENT ZOOM



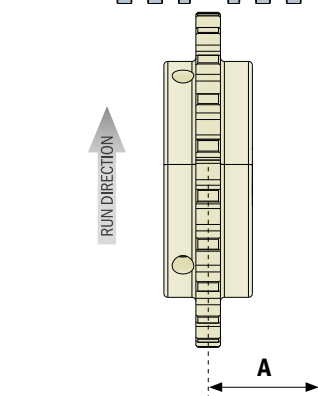
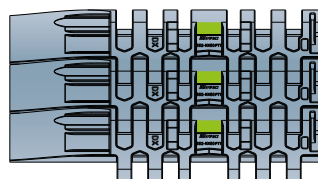
Correct contact point
Wrong contact point

SPROCKETS POSITION FOR:
552 FTT

BOTTOM VIEW
 Contact point

K450

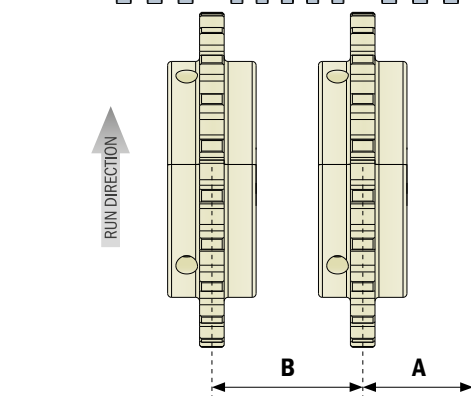
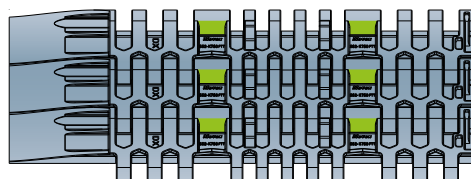
4,5" (114,3 mm)



A: 2,25" (57,15 mm)

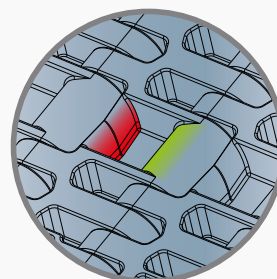
K750

7,5" (190,5 mm)

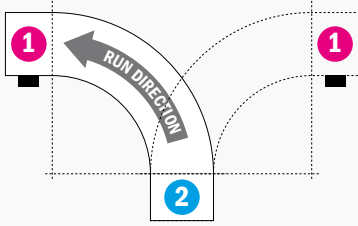


A: 2,25" (57,15 mm) **B: 3" (76,2 mm)**

ENGAGEMENT ZOOM



Correct contact point
Wrong contact point



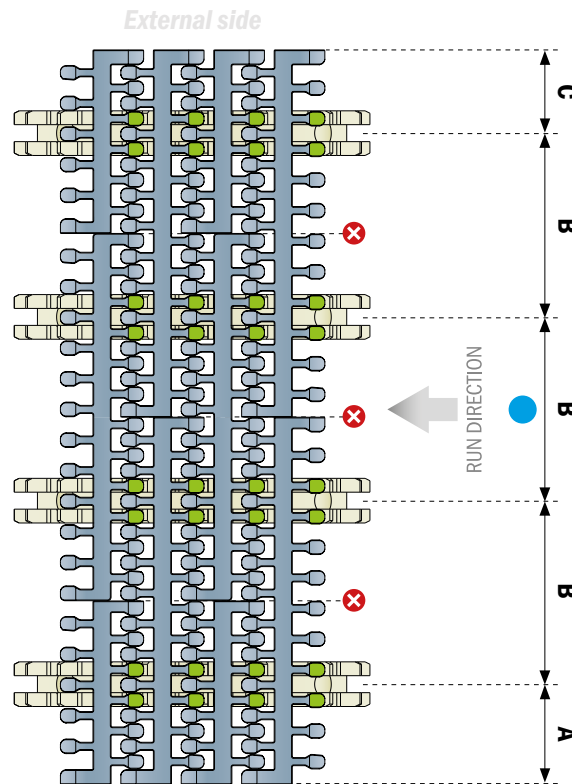
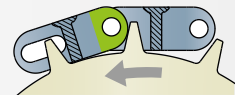
LEFT and RIGHT Version

Belt width (In/mm)	Recommended n° of sprockets*
6 / 152.4	2
9 / 228.6	3
12 / 304.5	4
15 / 381.0	5
18 / 457.2	6
21 / 533.4	7
24 / 609.6	8

*If more sprockets are required contact application engineering.

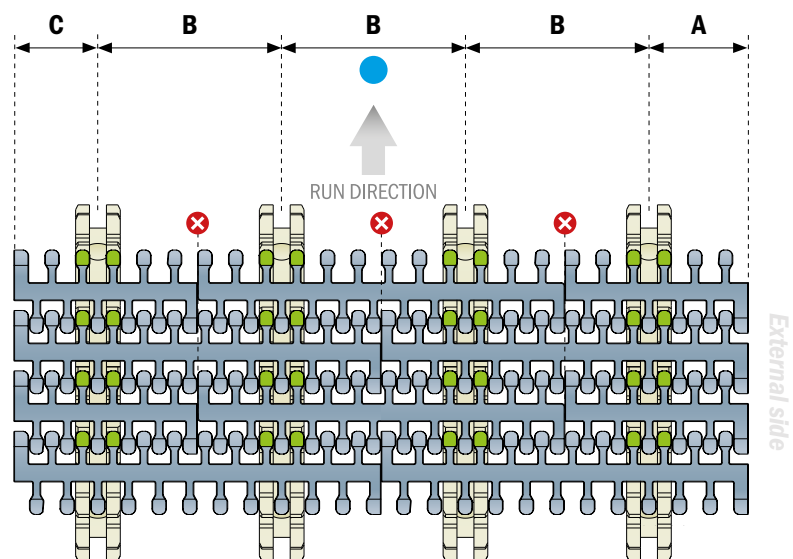
1 Gearmotor section

Contact point



2 Return section

Contact point



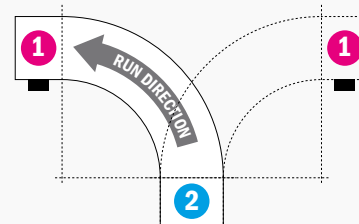
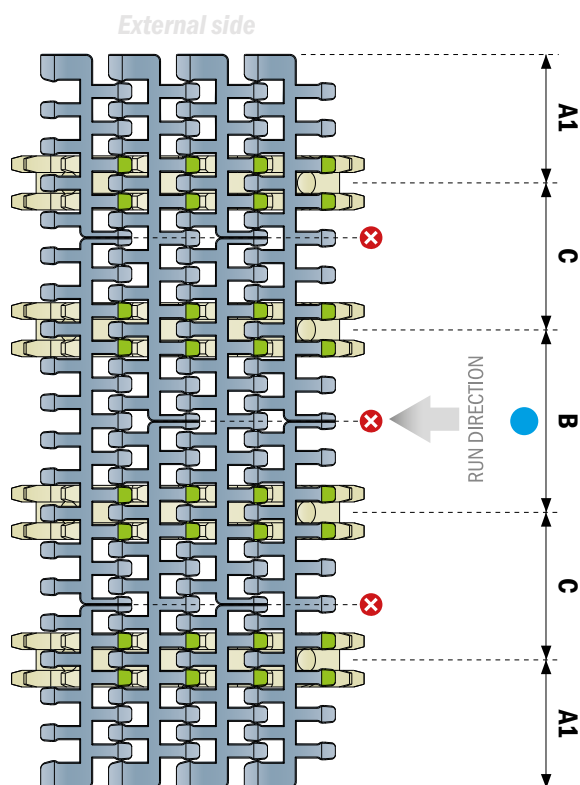
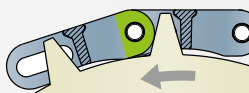
A min: 35,1 mm

B min: 76,2 mm

C min: 41,1 mm

1 Gearmotor section

Contact point



LEFT and RIGHT Version

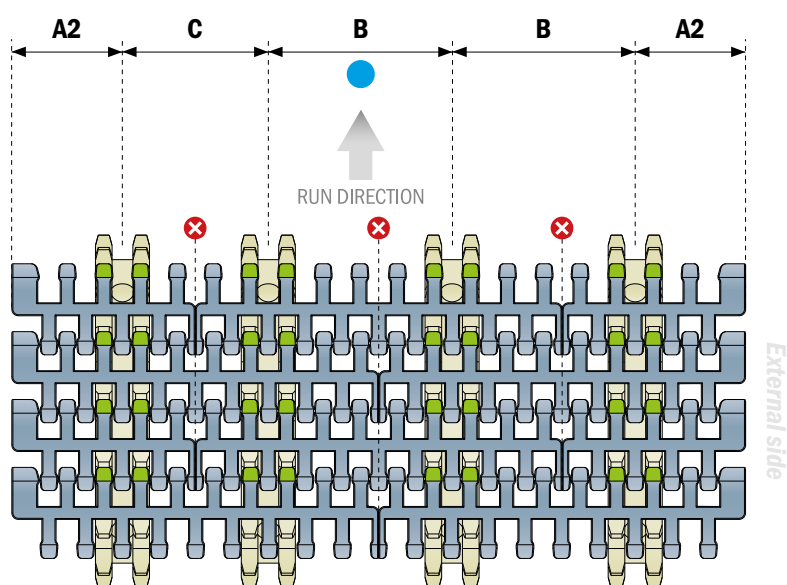
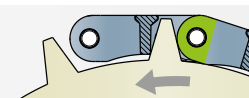
Belt width (mm)	Recommended n° of sprockets*
255	3
340	4
425	5
510	6
595	7
680	8
765	9
850	10

* Configuration valid for drive and idler section.

If more sprockets are required contact application engineering.

2 Return section

Contact point



IMPORTANT

Sprockets teeth must press against the hinge loops, never against the module's central bridge in the gap between the hinge loops.

● Add sprocket positions every 85 mm according to 85 mm width increments of the belt corresponding with 85 mm conveyor track pitch system.

✗ It's **NOT** possible to place the sprockets in this position.

A1: 59,5 mm

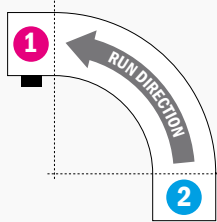
A2: 51 mm

B: 85 mm

C: 68 mm

600 Heavy duty / OPTIMIZED SPROCKETS POSITION

Manuale posizionamento ruote / Sprockets position manual / Einbauhinweise kettenräder



LEFT
Version

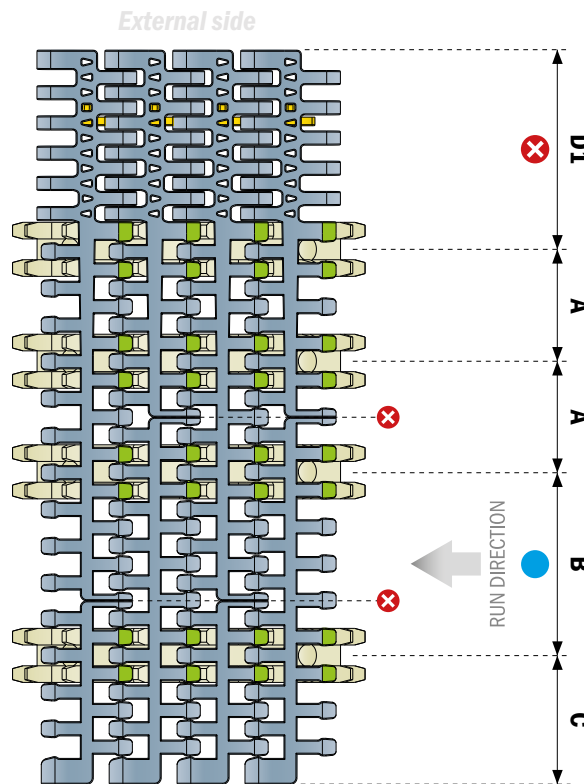
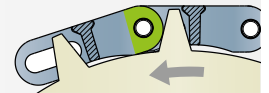
Belt width (mm)	Recommended n° of sprockets*
340	4
425	5
510	6
595	7
680	8
765	9
850	10

* Configuration valid for drive and idler section.

If more sprockets are required contact application engineering.

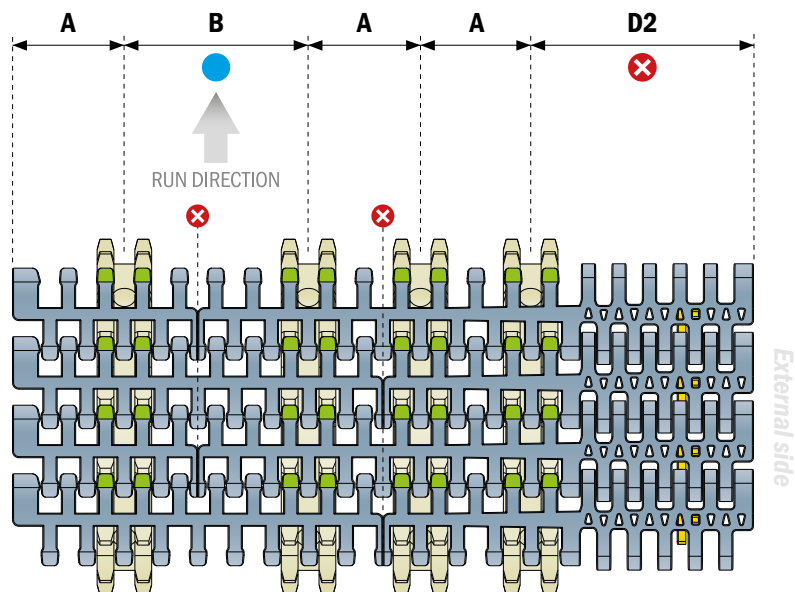
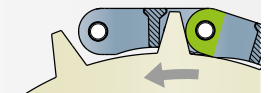
1 Gearmotor section

Contact point



2 Return section

Contact point



IMPORTANT

Sprockets teeth must press against the hinge loops, never against the module's central bridge in the gap between the hinge loops.

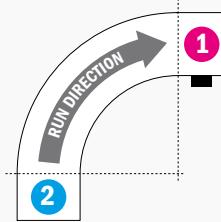
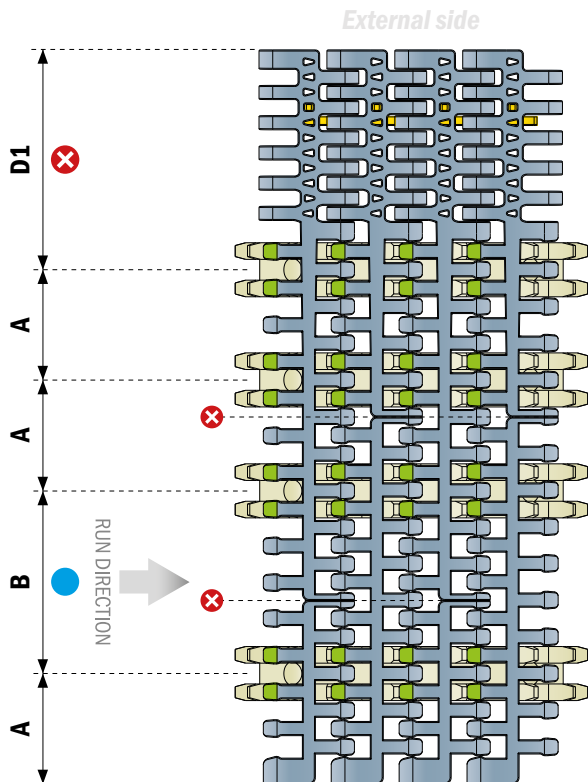
● Add sprocket positions every 85 mm according to 85 mm width increments of the belt corresponding with 85 mm conveyor track pitch system.

✗ It's **NOT** possible to place the sprockets in this position.

A: 51 mm	B: 85 mm	C: 59.5 mm
D1: 93.5 mm	D2: 102 mm	

1 Gearmotor section

Contact point



RIGHT
Version

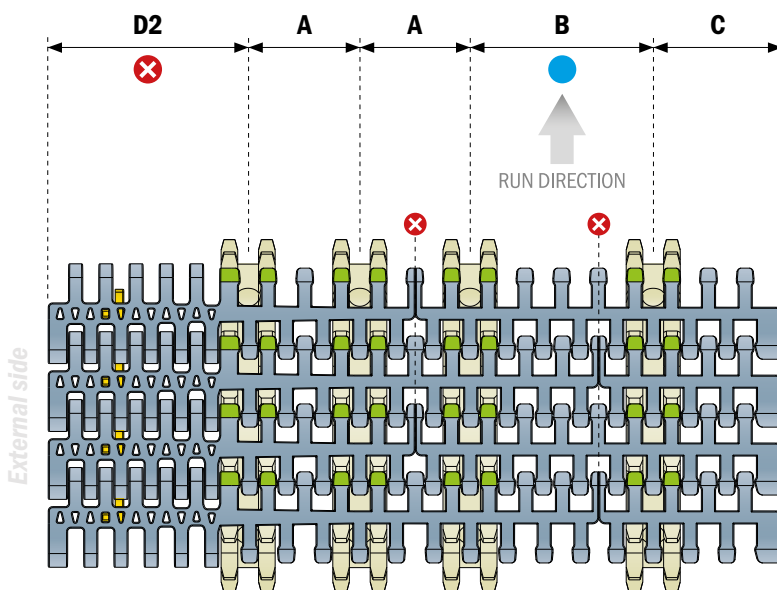
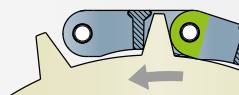
Belt width (mm)	Recommended n° of sprockets*
340	4
425	5
510	6
595	7
680	8
765	9
850	10

* Configuration valid for drive and idler section.

If more sprockets are required contact application engineering.

2 Return section

Contact point



IMPORTANT

Sprockets teeth must press against the hinge loops, never against the module's central bridge in the gap between the hinge loops.

● Add sprocket positions every 85 mm according to 85 mm width increments of the belt corresponding with 85 mm conveyor track pitch system.

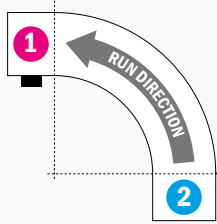
✗ It's **NOT** possible to place the sprockets in this position.

A: 51 mm **B:** 85 mm **C:** 59.5 mm

D1: 102 mm **D2:** 93.5 mm

600 Heavy duty with Bearings / OPTIMIZED SPROCKETS POSITION

Manuale posizionamento ruote / Sprockets position manual / Einbauhinweise kettenräder



**LEFT
Version**

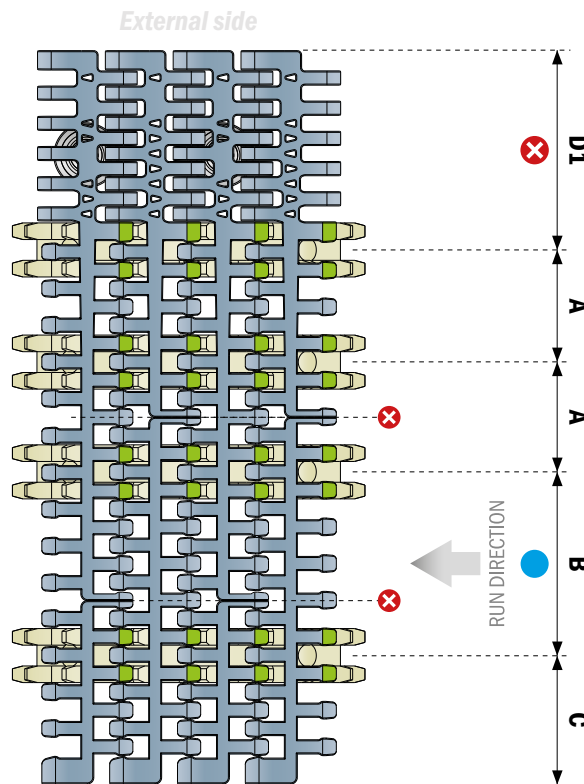
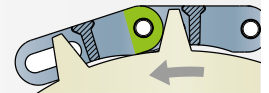
Belt width (mm)	Recommended n° of sprockets*
340	5
425	6
510	7
595	8
680	9
765	10
850	11

* Configuration valid for drive and idler section.

If more sprockets are required contact application engineering.

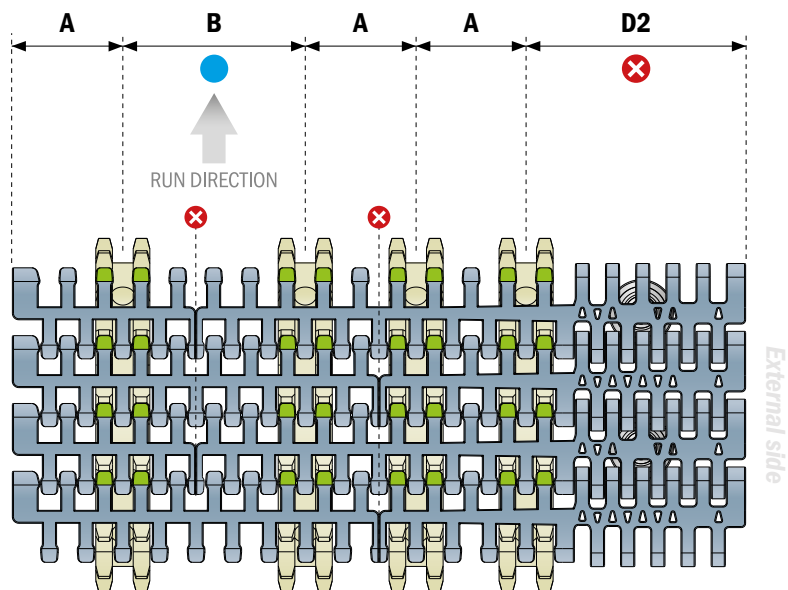
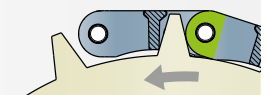
1 Gearmotor section

Contact point



2 Return section

Contact point



IMPORTANT

Sprockets teeth must press against the hinge loops, never against the module's central bridge in the gap between the hinge loops.

● Add sprocket positions every 85 mm according to 85 mm width increments of the belt corresponding with 85 mm conveyor track pitch system.

✗ It's **NOT** possible to place the sprockets in this position.

A: 51 mm

B: 85 mm

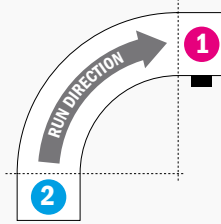
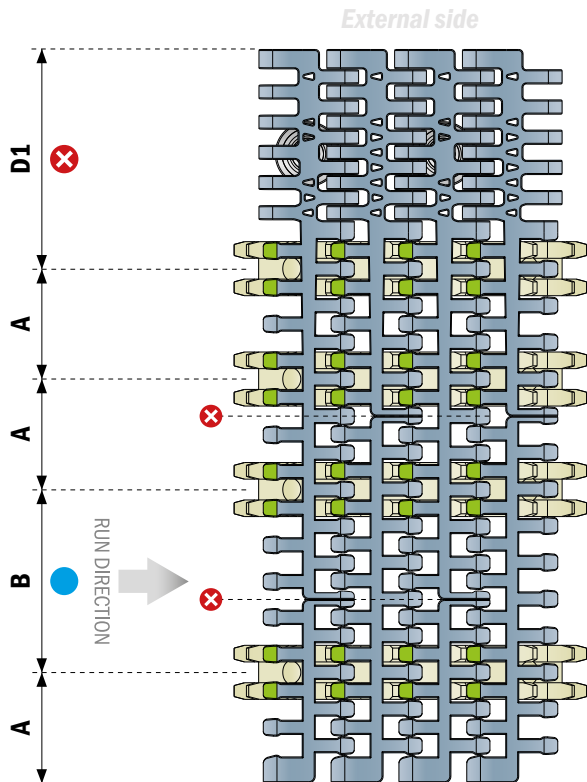
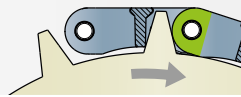
C: 59.5 mm

D1: 93.5 mm

D2: 102 mm

1 Gearmotor section

Contact point



RIGHT
Version

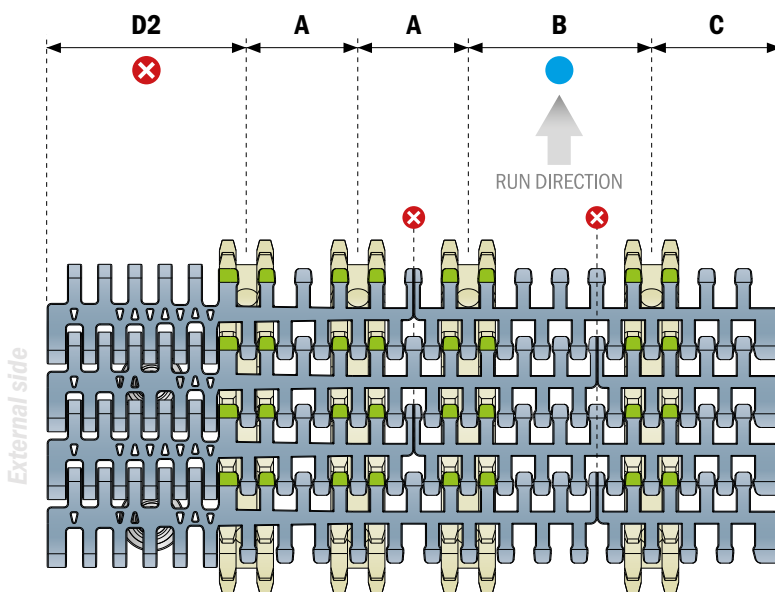
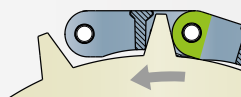
Belt width (mm)	Recommended n° of sprockets*
340	5
425	6
510	7
595	8
680	9
765	10
850	11

* Configuration valid for drive and idler section.

If more sprockets are required contact application engineering.

2 Return section

Contact point



IMPORTANT

Sprockets teeth must press against the hinge loops, never against the module's central bridge in the gap between the hinge loops.

● Add sprocket positions every 85 mm according to 85 mm width increments of the belt corresponding with 85 mm conveyor track pitch system.

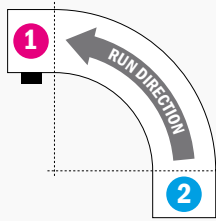
✗ It's **NOT** possible to place the sprockets in this position.

A: 51 mm **B:** 85 mm **C:** 59.5 mm

D1: 102 mm **D2:** 93.5 mm

600 *Small radius* / OPTIMIZED SPROCKETS POSITION

Manuale posizionamento ruote / Sprockets position manual / Einbauhinweise kettenräder



LEFT Version

Belt width (mm)	Recommended n° of sprockets*
340	5
425	6
510	7
595	8
680	9
765	10
850	11

* Configuration valid for drive and idler section.

If more sprockets are required contact application engineering.

IMPORTANT

Sprockets teeth must press against the hinge loops, never against the module's central bridge in the gap between the hinge loops.

● Add sprocket positions every 85 mm according to 85 mm width increments of the belt corresponding with 85 mm conveyor track pitch system.

⊗ It's **NOT** possible to place the sprockets in this position.

! Small radius section support options:



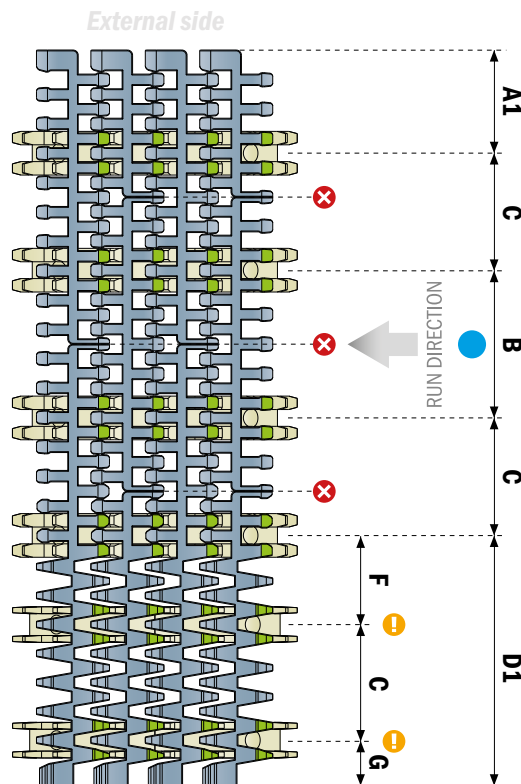
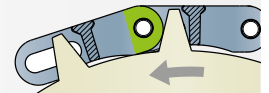
Support sprocket
info and order code
Pag 506



Split support roller
info and order code
Pag 506

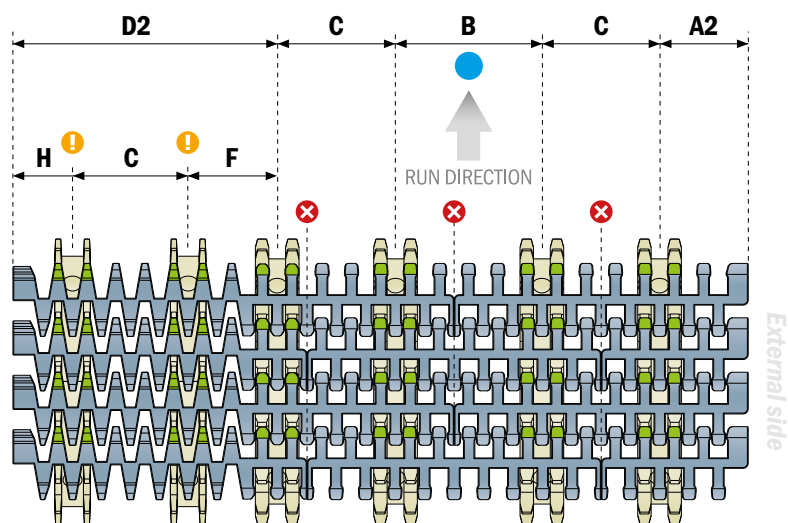
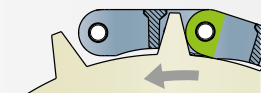
1 Gearmotor section

Contact point



2 Return section

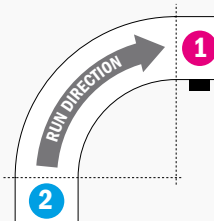
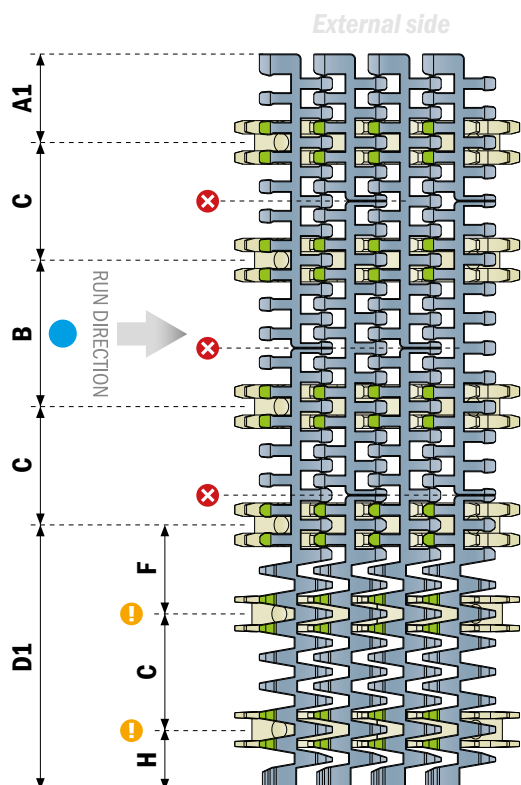
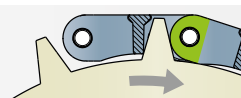
Contact point



A: 59.5 mm	A2: 51 mm	B: 85 mm	C: 68 mm	D1: 144.5 mm
D2: 153 mm	F: 50.5 mm	G: 26 mm	H: 34.5 mm	

1 Gearmotor section

Contact point



**RIGHT
Version**

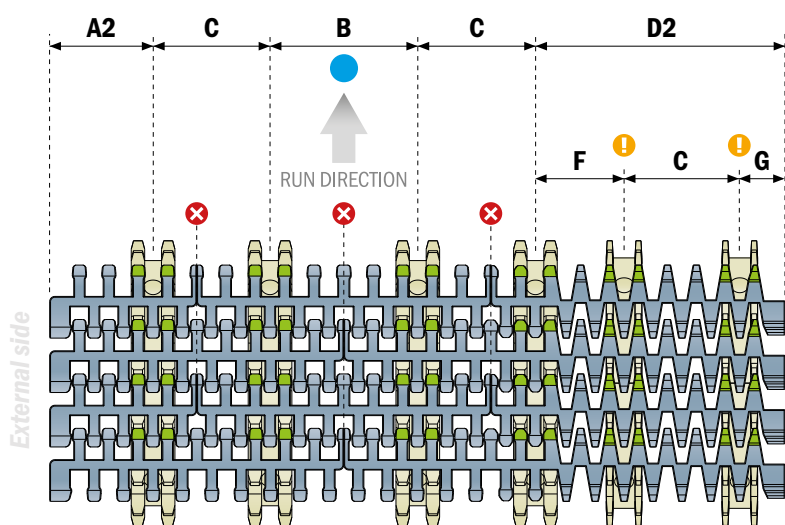
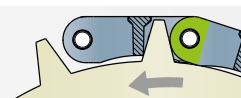
Belt width (mm)	Recommended n° of sprockets*
340	5
425	6
510	7
595	8
680	9
765	10
850	11

* Configuration valid for drive and idler section.

If more sprockets are required contact application engineering.

2 Return section

Contact point



IMPORTANT

Sprockets teeth must press against the hinge loops, never against the module's central bridge in the gap between the hinge loops.

● Add sprocket positions every 85 mm according to 85 mm width increments of the belt corresponding with 85 mm conveyor track pitch system.

✗ It's **NOT** possible to place the sprockets in this position.

! **Small radius section support options:**



Support sprocket
info and order code
Pag 506

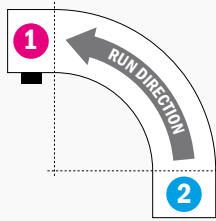


Split support roller
info and order code
Pag 506

A1: 51 mm	A2: 59.5 mm	B: 85 mm	C: 68 mm	D1: 153 mm
D2: 144.5 mm	F: 50.5 mm	G: 26 mm	H: 34.5 mm	

600 Heavy duty/Small radius / OPTIMIZED SPROCKETS POSITION

Manuale posizionamento ruote / Sprockets position manual / Einbauhinweise kettenräder



LEFT
Version

Belt width (mm)	Recommended n° of sprockets*
340	5
425	6
510	7
595	8
680	9
765	10
850	11

* Configuration valid for drive and idler section.

If more sprockets are required contact application engineering.

IMPORTANT

Sprockets teeth must press against the hinge loops, never against the module's central bridge in the gap between the hinge loops.

● Add sprocket positions every 85 mm according to 85 mm width increments of the belt corresponding with 85 mm conveyor track pitch system.

⊗ It's **NOT** possible to place the sprockets in this position.

! Small radius section support options:



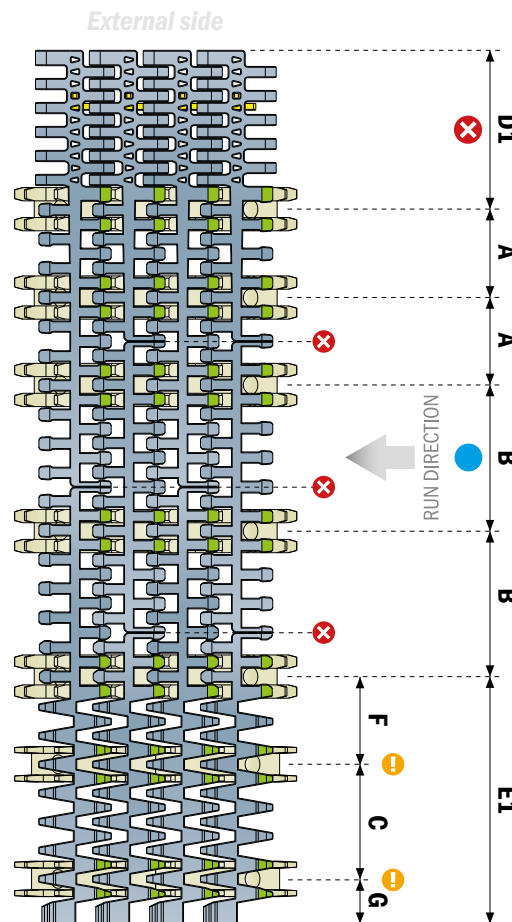
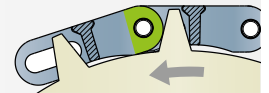
Support sprocket
info and order code
Pag 506



Split support roller
info and order code
Pag 506

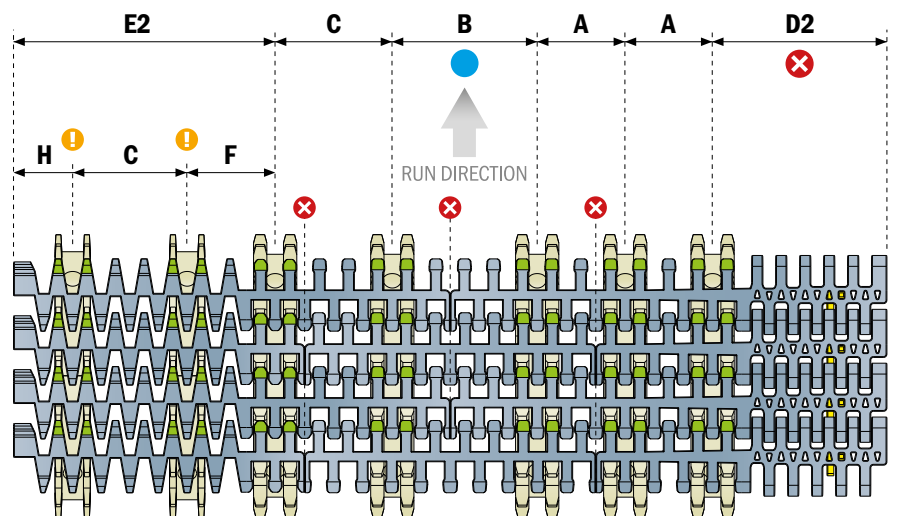
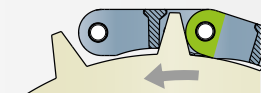
1 Gearmotor section

Contact point



2 Return section

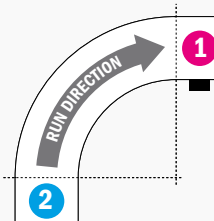
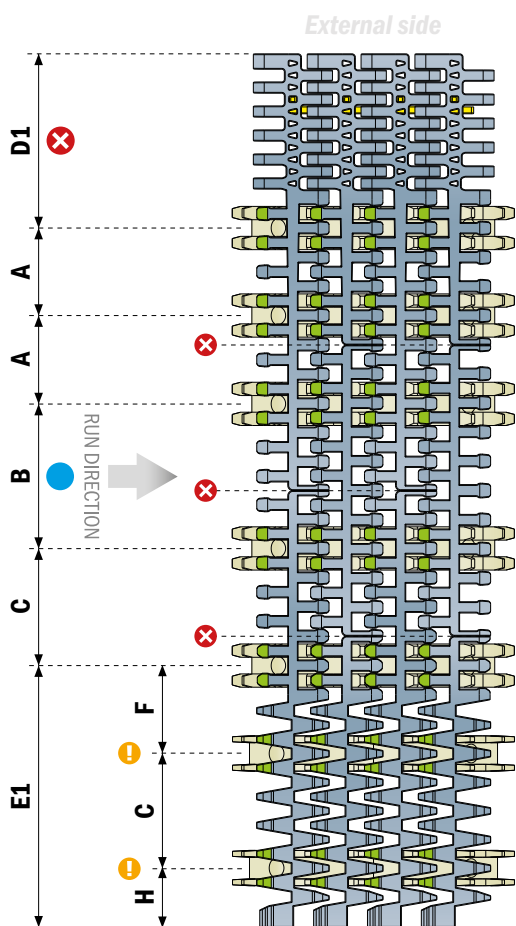
Contact point



A: 51 mm	B: 85 mm	C: 68 mm	D1: 93.5 mm	D2: 102 mm
E1: 144.5 mm	E2: 153 mm	F: 50.5 mm	G: 26 mm	H: 34.5 mm

1 Gearmotor section

Contact point



RIGHT Version

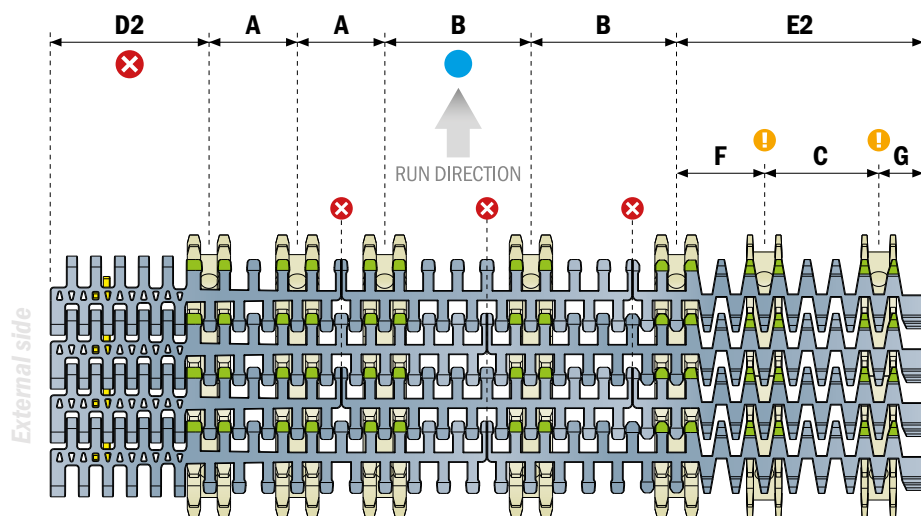
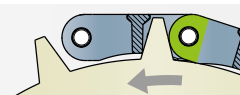
Belt width (mm)	Recommended n° of sprockets*
340	5
425	6
510	7
595	8
680	9
765	10
850	11

* Configuration valid for drive and idler section.

If more sprockets are required contact application engineering.

2 Return section

Contact point



A: 51 mm	B: 85 mm	C: 68 mm	D1: 102 mm	D2: 93.5 mm
E1: 153 mm	E2: 144.5 mm	F: 50.5 mm	G: 26 mm	H: 34.5 mm

IMPORTANT

Sprockets teeth must press against the hinge loops, never against the module's central bridge in the gap between the hinge loops.

● Add sprocket positions every 85 mm according to 85 mm width increments of the belt corresponding with 85 mm conveyor track pitch system.

✗ It's **NOT** possible to place the sprockets in this position.

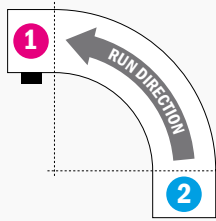
! Small radius section support options:



Support sprocket
info and order code
Pag 506



Split support roller
info and order code
Pag 506



LEFT Version

Belt width (mm)	Recommended n° of sprockets*
340	5
425	6
510	7
595	8
680	9
765	10
850	11

* Configuration valid for drive and idler section.

If more sprockets are required contact application engineering.

IMPORTANT

Sprockets teeth must press against the hinge loops, never against the module's central bridge in the gap between the hinge loops.

● Add sprocket positions every 85 mm according to 85 mm width increments of the belt corresponding with 85 mm conveyor track pitch system.

⊗ It's **NOT** possible to place the sprockets in this position.

Small radius section support options:



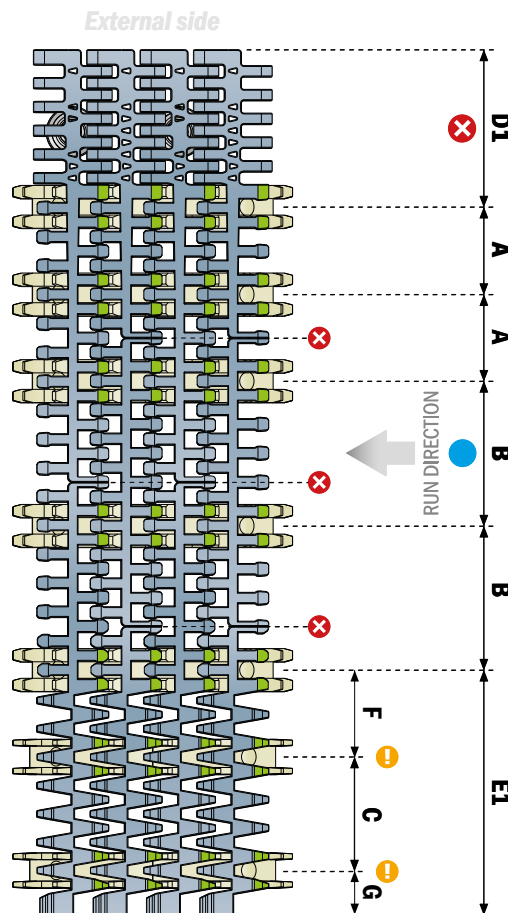
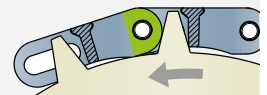
Support sprocket
info and order code
Pag 506



Split support roller
info and order code
Pag 506

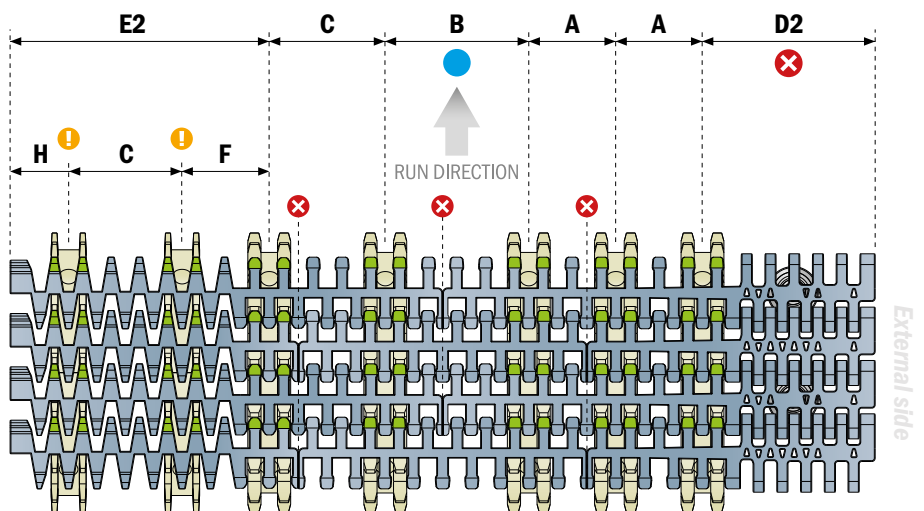
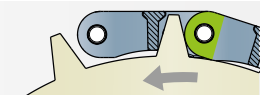
1 Gearmotor section

Contact point



2 Return section

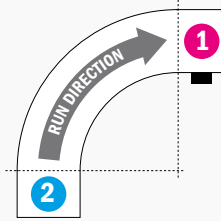
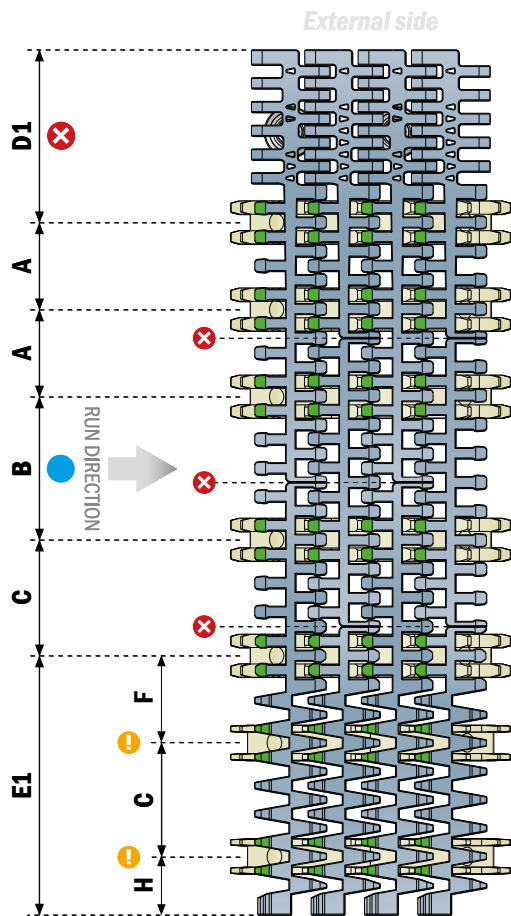
Contact point



A: 51 mm	B: 85 mm	C: 68 mm	D1: 93.5 mm	D2: 102 mm
E1: 144.5 mm	E2: 153 mm	F: 50.5 mm	G: 26 mm	H: 34.5 mm

1 Gearmotor section

Contact point



RIGHT
Version

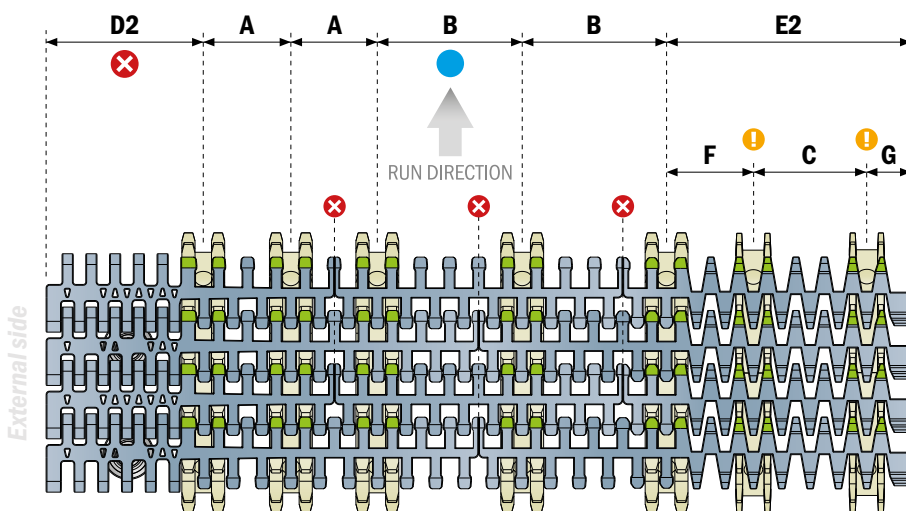
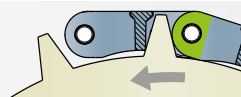
Belt width (mm)	Recommended n° of sprockets*
340	5
425	6
510	7
595	8
680	9
765	10
850	11

* Configuration valid for drive and idler section.

If more sprockets are required contact application engineering.

2 Return section

Contact point



IMPORTANT

Sprockets teeth must press against the hinge loops, never against the module's central bridge in the gap between the hinge loops.

● Add sprocket positions every 85 mm according to 85 mm width increments of the belt corresponding with 85 mm conveyor track pitch system.

✗ It's **NOT** possible to place the sprockets in this position.

! **Small radius section support options:**



Support sprocket
info and order code
Pag 506



Split support roller
info and order code
Pag 506

A: 51 mm	B: 85 mm	C: 68 mm	D1: 102 mm	D2: 93.5 mm
E1: 153 mm	E2: 144.5 mm	F: 50.5 mm	G: 26 mm	H: 34.5 mm

600 Support sprocket/Split support roller

Manuale posizionamento ruote / Sprockets position manual / Einbauhinweise kettenräder

Materiali / Material / Materialien:

Poliammide/Polyamide/Polyamid

Viti: Acciaio inox/Screws: Stainless steel/Schrauben: Edelstahl

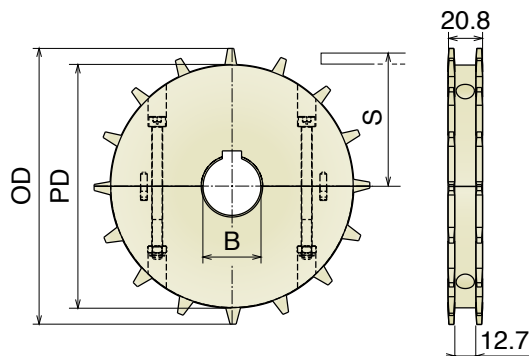
Dadi: ferro zincato/Nuts: zinc plated steel/Mutter: verzinkter stahl

600 Support sprocket

Ruota traino divisa, fresata

Split drive sprocket, machined / geteiltes Antriebskettenrad gefräst

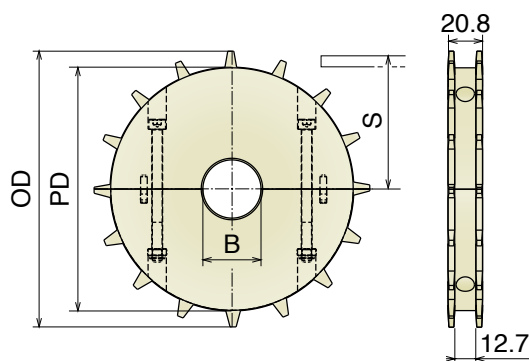
Small radius section support options



Article-Nr.	Z-	Bore	PD	OD	S
157101SR	10	25	102,8	107,7	45,0
157102SR		30			
157103SR		35			
157104SR		40			
157201SR	13	25	132,7	138,8	60,0
157202SR		30			
157203SR		35			
157204SR		40			
157301SR	15	25	152,7	159,4	70,0
157302SR		30			
157303SR		35			
157304SR		40			
157401SR	16	25	162,8	169,6	75,0
157402SR		30			
157403SR		35			
157404SR		40			

Ruota rinvio divisa, fresata

Split idler sprocket, machined / geteiltes Umlenkrad, gefräst



Article-Nr.	Z-	Bore	PD	OD	S
157150SR	10	18*	102,8	107,7	45,0
157151SR		25			
157152SR		30			
157153SR		35			
157154SR		40			
157250SR	13	18*	132,7	138,8	60,0
157251SR		25			
157252SR		30			
157253SR		35			
157254SR		40			
157350SR	15	18*	152,7	159,4	70,0
157351SR		25			
157352SR		30			
157353SR		35			
157354SR		40			
157450SR	16	18*	162,8	169,6	75,0
157451SR		25			
157452SR		30			
157453SR		35			
157454SR		40			

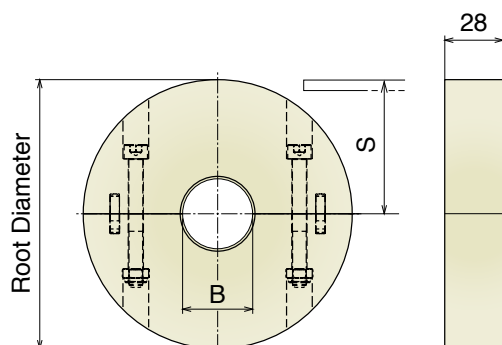
*Plain Bore

600 Split support roller

Ruota traino divisa, fresata

Split drive sprocket, machined / geteiltes Antriebskettenrad gefräst

Small radius section support options

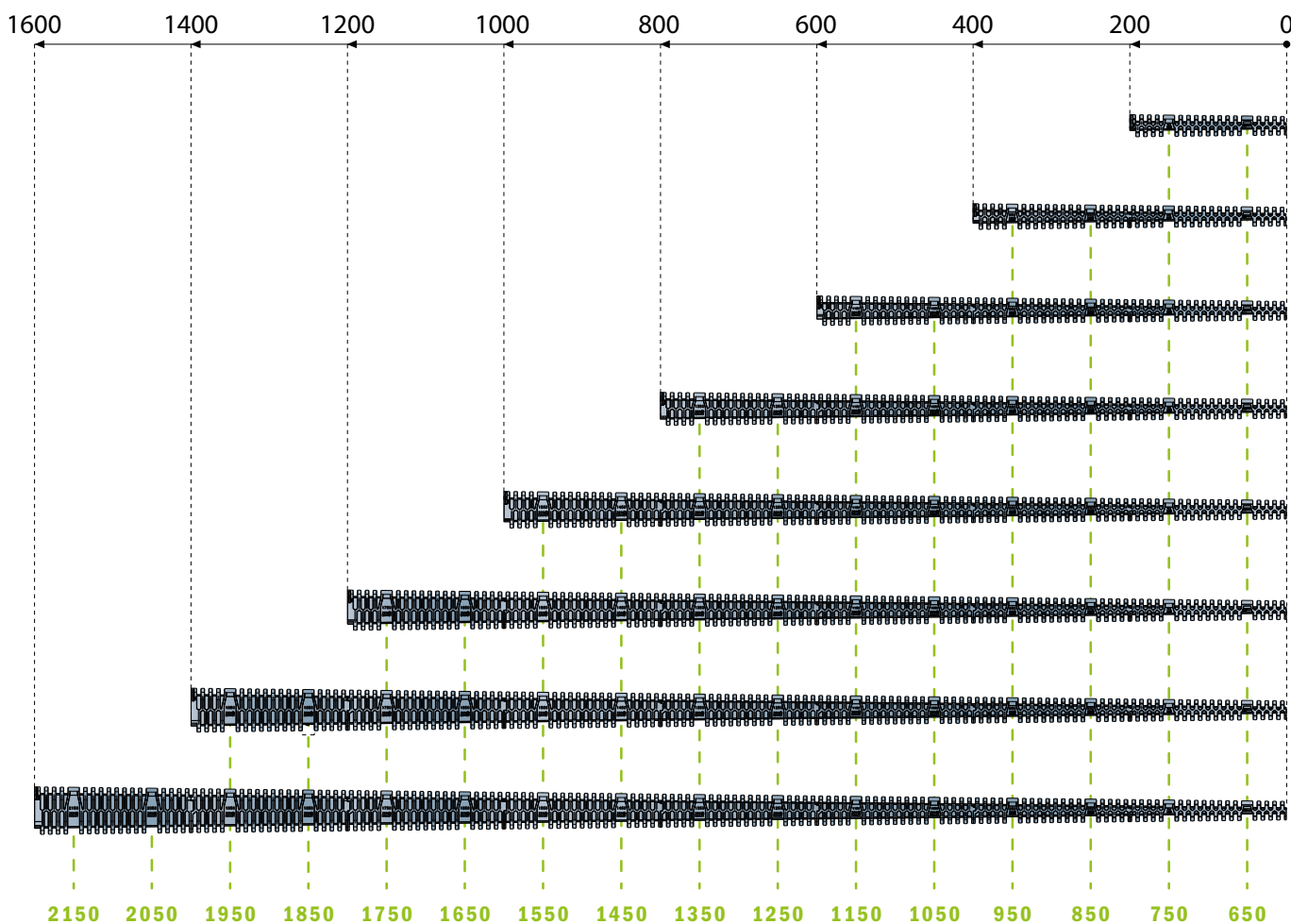


Article-Nr.	Z- eq.	Bore	Root Ø	S
157150R	10	18*	85,1	45,0
157151R		25		
157152R		30		
157153R		35		
157154R		40		
157250R	13	18*	115,0	60,0
157251R		25		
157252R		30		
157253R		35		
157254R		40		
157350R	15	18*	134,3	70,0
157351R		25		
157352R		30		
157353R		35		
157354R		40		
157450R	16	18*	146,8	75,0
157451R		25		
157452R		30		
157453R		35		
157454R		40		

TECHNICAL RECOMMENDATION:



Fix Split support roller with split collars Part 215 Pag 357



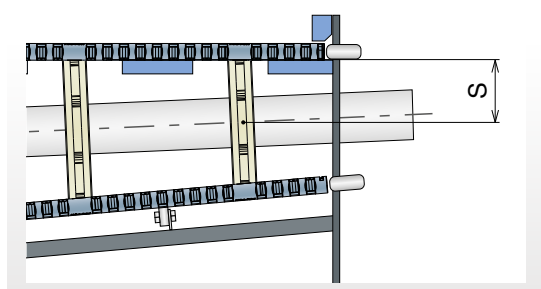
Dedicated Sprockets

Ruota traino, fresata / Drive sprocket, machined / Antriebskettenrad gefräst



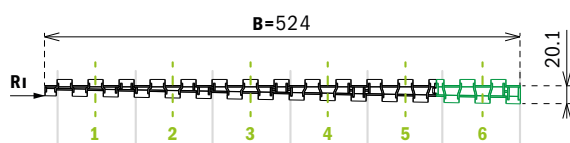
Radius	Part	Article-Nr.	Z-	Bore	Pitch Diam.	Ext. Diam.	S
650	1624	162401	12	40	58,0	61,0	25,6
750	1624	162402			66,0	69,0	29,9
850	1624	162403			76,0	79,0	34,2
950	1624	162404			84,0	86,0	38,5
1050	1624	162405			94,0	97,0	42,8
1150	1624	162406			102,0	104,0	47,1
1250	1624	162407			112,0	114,0	51,4
1350	1624	162408			119,0	122,0	55,7
1450	1624	162409			130,0	132,0	60,0
1550	1624	162410			137,0	140,0	64,3
1650	1624	162411			145,0	148,0	68,6
1750	1624	162412			144,0	157,0	72,9
1850	1624	162413			163,0	166,0	77,2
1950	1624	162414			171,0	174,0	81,5
2050	1624	162415			180,0	183,0	85,8
2150	1624	162416			189,0	192,0	90,1

Radius match with the molded number underneath the belt.
 Consult our Engineering department for details.



Width 524

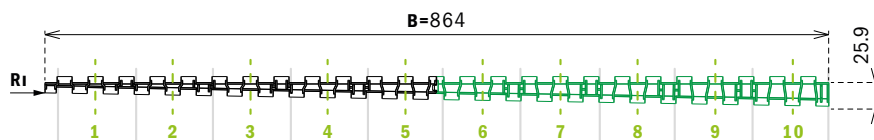
R586



Serial Number	Order code	Track	B Belt width (Tolerance+/-3mm)	Ri Belt radius (Rkury-14mm)	Number of modules for assembled belt	Weight in Kg (unit)
1	5461280524A-M	1	524	586	200	9

Width 864

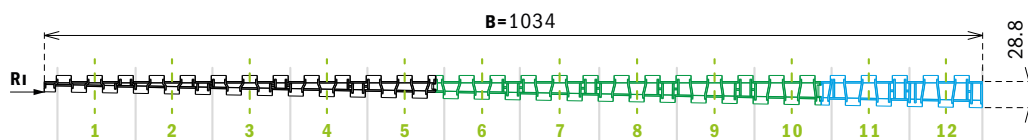
R586



Serial Number	Order code	Track	B Belt width (Tolerance+/-3mm)	Ri Belt radius (Rkury-14mm)	Number of modules for assembled belt	Weight in Kg (unit)
2	5461280864A-M	1	864	586	200	16

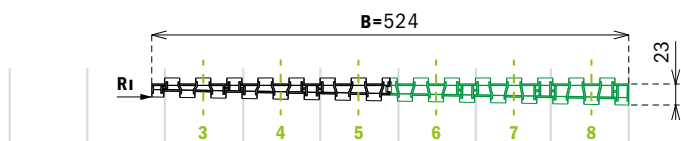
Width 1034

R586



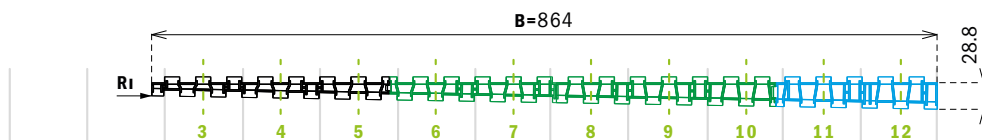
Serial Number	Order code	Track	B Belt width (Tolerance+/-3mm)	Ri Belt radius (Rkury-14mm)	Number of modules for assembled belt	Weight in Kg (unit)
3	5461281034A-M	1	1034	586	200	18

Width 524

R756

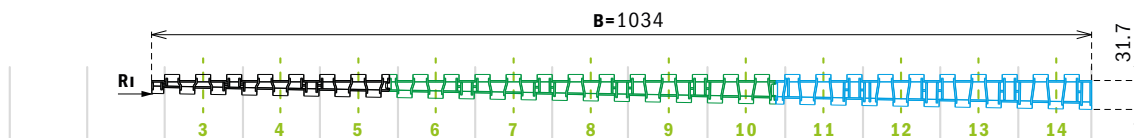
Serial Number	Order code	Track	B Belt width (Tolerance+/-3mm)	Ri Belt radius (Rkurv-14mm)	Number of modules for assembled belt	Weight in Kg (unit)
4	5462280524A-M	1	524	756	200	10

Width 864

R756

Serial Number	Order code	Track	B Belt width (Tolerance+/-3mm)	Ri Belt radius (Rkurv-14mm)	Number of modules for assembled belt	Weight in Kg (unit)
5	5462280864A-M	1	864	756	200	18

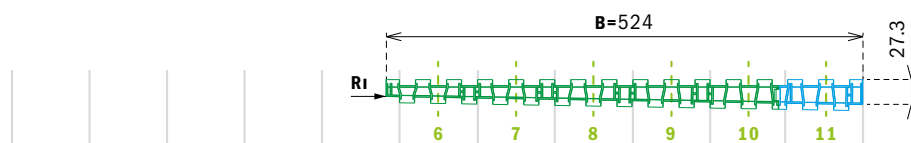
Width 1034

R756

Serial Number	Order code	Track	B Belt width (Tolerance+/-3mm)	Ri Belt radius (Rkurv-14mm)	Number of modules for assembled belt	Weight in Kg (unit)
6	5462281034A-M	1	1034	756	200	22

Width 524

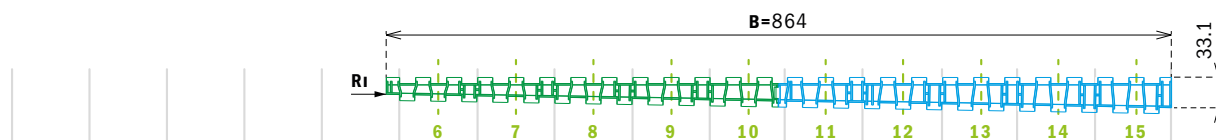
R1011



Serial Number	Order code	Track	B Belt width (Tolerance+/-3mm)	Ri Belt radius (Rkurv-14mm)	Number of modules for assembled belt	Weight in Kg (unit)
7	5463280524A-M	1	524	1011	200	11

Width 864

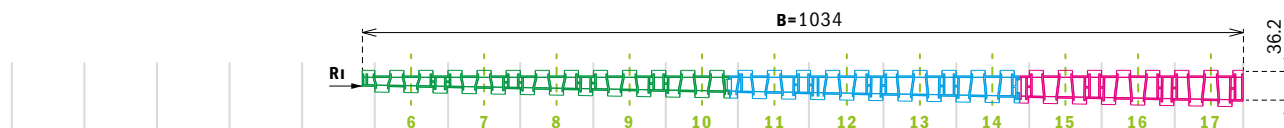
R1011



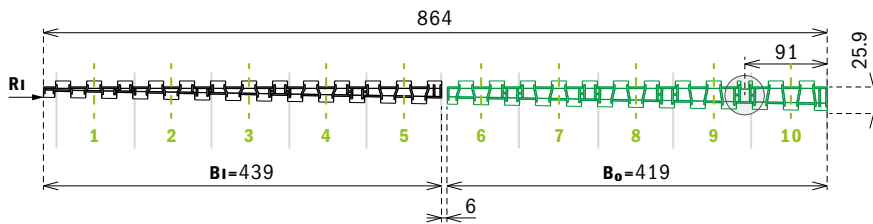
Serial Number	Order code	Track	B Belt width (Tolerance+/-3mm)	Ri Belt radius (Rkurv-14mm)	Number of modules for assembled belt	Weight in Kg (unit)
8	5463280864A-M	1	864	1011	200	20

Width 1034

R1011



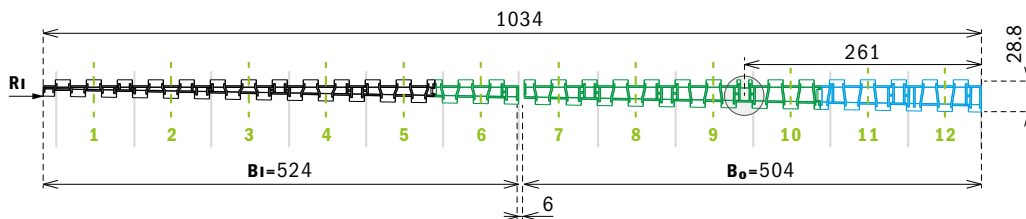
Serial Number	Order code	Track	B Belt width (Tolerance+/-3mm)	Ri Belt radius (Rkurv-14mm)	Number of modules for assembled belt	Weight in Kg (unit)
9	5463281034A-M	1	1034	1011	200	24

Width 864 (439/419)**R586****inner belt - without bearing - on bottom side**

Serial Number	Order code	Track	B ₁ Belt width (Tolerance+/-3mm)	R _i Belt radius (Rkurv-14mm)	Number of modules for assembled belt	Weight in Kg (unit)
10	5461280439A-M	1	439	586	200	8

outer belt - with bearing - on bottom side

Serial Number	Order code	Track	B ₀ Belt width (Tolerance+/-3mm)	R ₀ Belt radius (=R _i +B ₁ +6mm)	Number of modules for assembled belt	Weight in Kg (unit)
15	5461280419A-M	1	419	1031	200	9

Width 1034 (524/504)**R586****inner belt - without bearing - on bottom side**

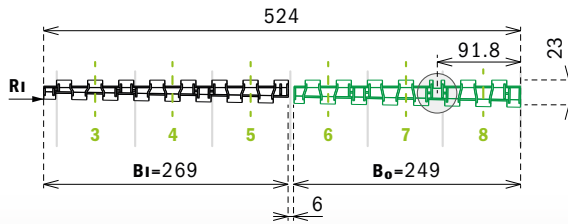
Serial Number	Order code	Track	B ₁ Belt width (Tolerance+/-3mm)	R _i Belt radius (Rkurv-14mm)	Number of modules for assembled belt	Weight in Kg (unit)
1	5461280524A-M	1	524	586	200	9

outer belt - with bearing - on bottom side

Serial Number	Order code	Track	B ₀ Belt width (Tolerance+/-3mm)	R ₀ Belt radius (=R _i +B ₁ +6mm)	Number of modules for assembled belt	Weight in Kg (unit)
16	5461280504A-M	1	504	1116	200	10

Width 524 (269/249)

R756



inner belt - without bearing - on bottom side

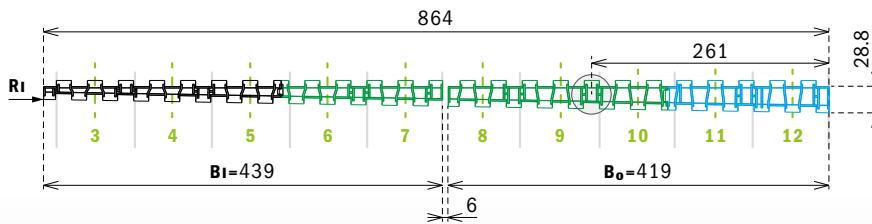
Serial Number	Order code	Track	Bi Belt width (Tolerance+/-3mm)	Ri Belt radius (Rkurv-14mm)	Number of modules for assembled belt	Weight in Kg (unit)
11	5462280269A-M	1	269	756	200	5

outer belt - with bearing - on bottom side

Serial Number	Order code	Track	Bo Belt width (Tolerance+/-3mm)	Ro Belt radius (=Ri+Bi+6mm)	Number of modules for assembled belt	Weight in Kg (unit)
17	5462280249A-M	1	249	1031	200	6

Width 864 (439/419)

R756



inner belt - without bearing - on bottom side

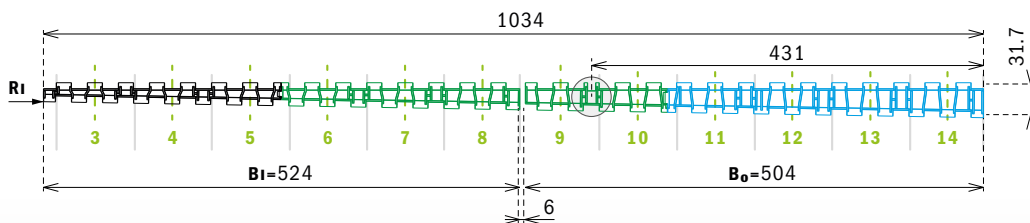
Serial Number	Order code	Track	Bi Belt width (Tolerance+/-3mm)	Ri Belt radius (Rkurv-14mm)	Number of modules for assembled belt	Weight in Kg (unit)
12	5462280439A-M	1	439	756	200	9

outer belt - with bearing - on bottom side

Serial Number	Order code	Track	Bo Belt width (Tolerance+/-3mm)	Ro Belt radius (=Ri+Bi+6mm)	Number of modules for assembled belt	Weight in Kg (unit)
18	5462280419A-M	1	419	1201	200	10

Width 1034 (524/504)

R756

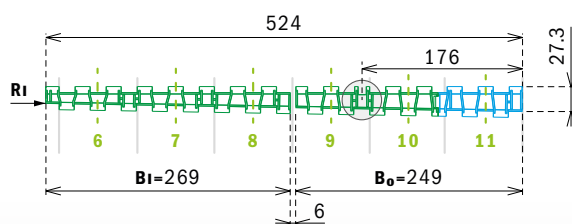


inner belt - without bearing - on bottom side

Serial Number	Order code	Track	Bi Belt width (Tolerance+/-3mm)	Ri Belt radius (Rkurv-14mm)	Number of modules for assembled belt	Weight in Kg (unit)
4	5462280524A-M	1	524	756	200	10

outer belt - with bearing - on bottom side

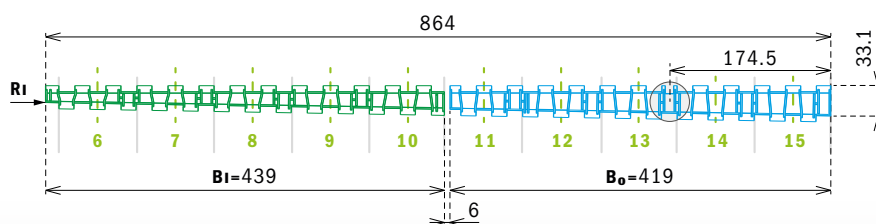
Serial Number	Order code	Track	Bo Belt width (Tolerance+/-3mm)	Ro Belt radius (=Ri+Bi+6mm)	Number of modules for assembled belt	Weight in Kg (unit)
19	5462280504A-M	1	504	1286	200	11

Width 524 (269/249)**R1011****inner belt - without bearing - on bottom side**

Serial Number	Order code	Track	B _I Belt width (Tolerance+/-3mm)	R _I Belt radius (Rkurv-14mm)	Number of modules for assembled belt	Weight in Kg (unit)
13	5463280269A-M	1	269	1011	200	6

outer belt - with bearing - on bottom side

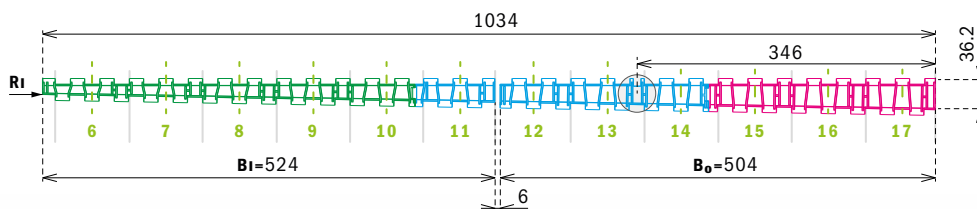
Serial Number	Order code	Track	B _O Belt width (Tolerance+/-3mm)	R _O Belt radius (=R _I +B _I +6mm)	Number of modules for assembled belt	Weight in Kg (unit)
20	5463280249A-M	1	249	1286	200	7

Width 864 (439/419)**R1011****inner belt - without bearing - on bottom side**

Serial Number	Order code	Track	B _I Belt width (Tolerance+/-3mm)	R _I Belt radius (Rkurv-14mm)	Number of modules for assembled belt	Weight in Kg (unit)
14	5463280439A-M	1	439	1011	200	10

outer belt - with bearing - on bottom side

Serial Number	Order code	Track	B _O Belt width (Tolerance+/-3mm)	R _O Belt radius (=R _I +B _I +6mm)	Number of modules for assembled belt	Weight in Kg (unit)
21	5463280419A-M	1	419	1456	200	11

Width 1034 (524/504)**R1011****inner belt - without bearing - on bottom side**

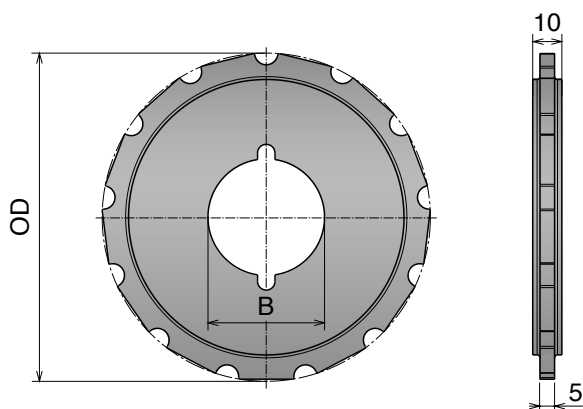
Serial Number	Order code	Track	B _I Belt width (Tolerance+/-3mm)	R _I Belt radius (Rkurv-14mm)	Number of modules for assembled belt	Weight in Kg (unit)
7	5463280524A-M	1	524	1011	200	11

outer belt - with bearing - on bottom side

Serial Number	Order code	Track	B _O Belt width (Tolerance+/-3mm)	R _O Belt radius (=R _I +B _I +6mm)	Number of modules for assembled belt	Weight in Kg (unit)
22	5463280504A-M	1	504	1541	200	12

Dedicated Sprockets

Ruota traino, fresata / Drive sprocket, machined / Antriebskettenrad gefräst



Ref. n°	Part	Article-Nr.	Z-	Bore	Ext. Diam.
1	1633	163301	13	30	45,9
2	1633	163302		40	52,0
3	1633	163303			58,0
4	1633	163304			64,1
5	1633	163305			70,2
6	1633	163306			76,2
7	1633	163307			82,3
8	1633	163308			88,3
9	1633	163309			94,4
10	1633	163310			100,5
11	1633	163311			106,6
12	1633	163312			112,6
13	1633	163313			118,7
14	1633	163314			124,7
15	1633	163315			130,8
16	1633	163316			136,9
17	1633	163317			142,9

Reference n° match with the molded number underneath the belt.
Consult our Engineering department for details.

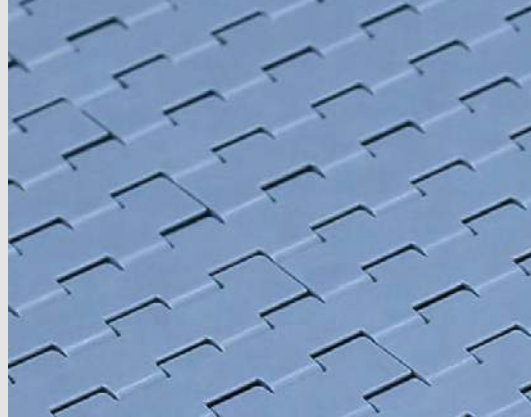
Material Chemical Resistances

Chemical Agent up to 65 °C	Polyamide	Steel	SS Aisi 304	SS Aisi 430	LF	MX	PFX	UHMW PE	PP/PPX
Acetone	G	U	G	G	G	A	A	G	G
Acetic acid (max 5%)	U	U	G	U	U	G	G	G	G
Alcohol	G	G	G	G	G	G	G	G	G
Ammonia	G	A	G	G	U	A	A	G	G
Beer	G	G	G	G	G	G	G	G	G
Benzene	G	G	G	G	G	U	U	A	G
Benzol	G	G	G	G	G	G	G	G	A
Carbon tetrachloride	G	A	A	A	G	/	/	A	U
Chocolat	A	G	G	G	G	G	G	A	G
Citric acid	A	U	G	A	A	G	G	G	G
Formic acid	U	G	G	G	G	A	A	G	/
Fresh water	G	U	G	G	G	G	G	G	G
Fruit juices	G	U	G	A	G	G	G	G	G
Hydrochloric acid (max 2%)	U	U	U	U	U	A	A	A	G
Hydrogen peroxide	U	U	G	A	U	/	/	A	/
Iodine	U	A	A	A	A	/	/	A	/
Lactic acid	G	U	G	U	G	G	G	G	G
Milk	G	G	G	G	G	G	G	G	G
Mustard	A	G	G	G	A	/	/	A	G
Nitric acid	U	U	G	A	U	U	U	A	G
Oil (vegetable or mineral)	G	G	G	G	G	U	U	G	G
Paraffin	G	G	G	G	G	G	G	G	/
Petrol	G	G	G	G	G	G	G	A	G
Phosphoric acid (max 10%)	U	U	G	U	U	U	U	G	G
Sea water	U	A	G	A	G	G	G	G	G
Soap and water	G	A	G	G	G	G	G	G	G
Sodium hydrochloride	G	U	A	U	G	A	A	G	G
Sodium hydroxide (max 25%)	G	U	G	G	U	U	U	G	/
Sodium hypochlorite	G	U	U	U	U	A	A	G	G
Soft Drinks	G	G	G	G	G	G	G	G	G
Spirits	G	G	G	G	G	G	G	G	G
Sulphide acid	U	U	U	U	U	G	G	U	G
Toluene	U	U	U	U	G	G	G	A	G
Turpentine	U	G	G	G	U	G	G	A	/
Vegetable juices	G	A	G	G	G	G	G	G	G
Vinegar	G	U	A	U	G	G	G	G	G
Whisky	G	G	G	G	G	G	G	G	G
Wine	G	G	G	G	G	G	G	G	G
Xilol	U	U	U	U	U	G	G	U	U

LEGENDA

G: Good / A: Average / U: Unsatisfactory

LF-LFA



Materials

Description

Low friction Acetal Resin.

This material can be used in all common applications.

Colour: Light Brown for Chains, RAL 5014 for Belts.

Primary Components: POM

General information

Material abbreviation	Material	Chemical abbreviation	Allowable application temperatures						FDA Approval
			Fahrenheit			Celsius			
			Min	Max		Min	Max		
				Dry	Wet		Dry	Wet	
LF	Low friction acetal	POM	-40	176	149	-40	80	65	YES
LFA	Low friction acetal	POM	-40	176	149	-40	80	65	YES

Friction Factors Between Material and Product

Lubrication	Product Material					
	Paper & carton	Metal (steel)	Aluminium	Plastics & PET	Glass (returnable)	Glass (new)
Dry	0,28	0,25	0,25	0,21	0,24	0,20
Water	n.a.	0,20	0,18	0,16	0,18	0,15
W&s & Dry lube	n.a.	0,15	0,14	0,13	0,14	0,12
Oil	n.a.	0,10	n.a.	n.a.	n.a.	n.a.

Friction Factors Between Material and Product

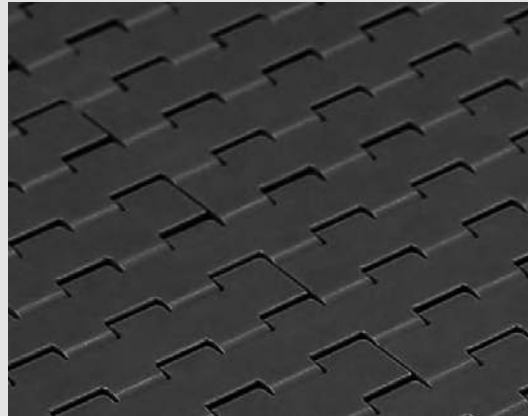
Lubrication	Wearstrip Material		
	Stainless steel	UHMW-PE & PA	<i>BluLub</i> ®
Dry	0,24	0,20	0,18
Water	0,19	0,16	0,14
W&s & Dry lube	0,15	0,10	0,10
Oil	0,10	0,10	0,10

Note

Material properties and performance of final product are subject to variation according to operating conditions, e.g. environmental conditions, chemicals, cleanliness.

MX

Materials



Description

Extra Performance material (PBT with additives) with a very low coefficient of friction and improved wear resistance. Recommended for high speed and dry running applications.

Colour: Grey (RAL 7024)

Primary Components: PBT

General information

Material abbreviation	Material	Chemical abbreviation	Allowable application temperatures						FDA Approval
			Fahrenheit			Celsius			
			Min	Max		Min	Max		
				Dry	Wet		Dry	Wet	
MX	Performance PBT	PBT	-40	248	140	-40	120	60	YES

Friction Factors Between Material and Product

Lubrication	Product Material					
	Paper & carton	Metal (steel)	Aluminium	Plastics & PET	Glass (returnable)	Glass (new)
Dry	0,20	0,18	0,15	0,13	0,14	0,12
Water	n.a.	0,16	0,14	0,12	0,13	0,12
W&s & Dry lube	n.a.	0,13	0,12	0,10	0,11	0,10
Oil	n.a.	0,10	n.a.	n.a.	n.a.	n.a.

Friction Factors Between Material and Product

Lubrication	Wearstrip Material		
	Stainless steel	UHMW-PE & PA	<i>BluLub</i> ®
Dry	0,20	0,16	0,13
Water	0,17	0,11	0,09
W&s & Dry lube	0,14	0,09	0,08
Oil	0,10	0,10	0,10

Note

Material properties and performance of final product are subject to variation according to operating conditions, e.g. environmental conditions, chemicals, cleanliness.

PFX



Materials

Description

Extra Performance material (PBT with additives) with a very low coefficient of friction and improved wear resistance. Recommended for high speed and dry running applications.

Colour: Fluorescent Orange

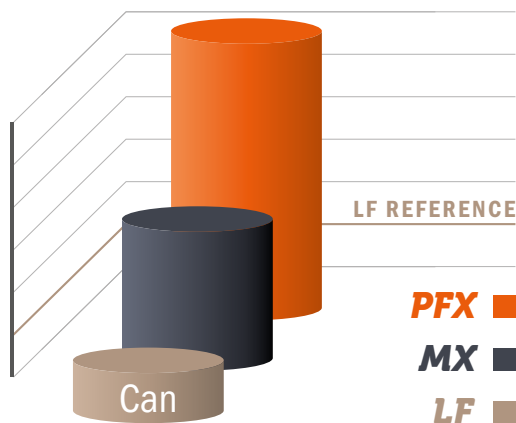
Primary Components: PBT

General information

Material abbreviation	Material	Chemical abbreviation	Allowable application temperatures						FDA Approval
			Fahrenheit			Celsius			
			Min	Max		Min	Max		
				Dry	Wet		Dry	Wet	
PFX	Extra performance PBT	PBT	-40	248	140	-40	120	60	YES

Power saving

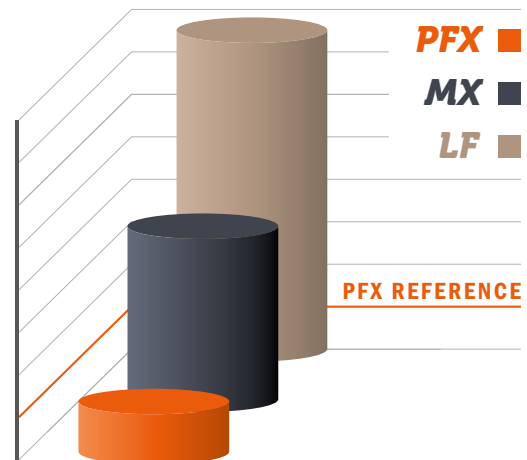
RELATIVE TO LF = 100%



Example calculated with cans
UHMWPE chain guides
90° side-flexing conveyor

PV

RELATIVE TO PFX = 100%

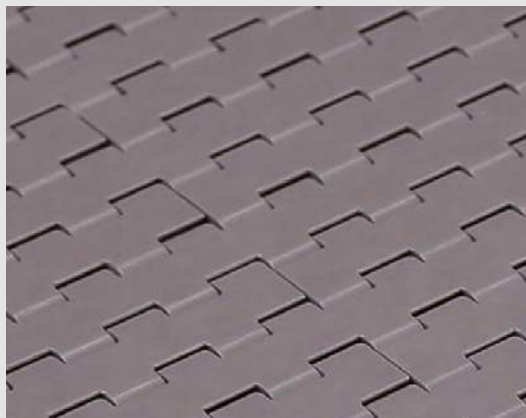


Note

Material properties and performance of final product are subject to variation according to operating conditions, e.g. environmental conditions, chemicals, cleanliness.

MPX

Materials



Description

High performance Material with a low coefficient of friction.

This material can increase wear life 25% over LF material.

Colour: Brown

Primary Components: POM

General information

Material abbreviation	Material	Chemical abbreviation	Allowable application temperatures						FDA Approval
			Fahrenheit			Celsius			
			Min	Max		Min	Max		
				Dry	Wet		Dry	Wet	
MP	Lucricated Acetal	POM	-40	176	149	-40	80	65	YES

Friction Factors Between Material and Product

Lubrication	Product Material					
	Paper & carton	Metal (steel)	Aluminium	Plastics & PET	Glass (returnable)	Glass (new)
Dry	0,24	0,22	0,21	0,19	0,21	0,16
Water	n.a.	0,19	0,17	0,15	0,17	0,14
W&s & Dry lube	n.a.	0,15	0,14	0,13	0,13	0,12
Oil	n.a.	0,10	n.a.	n.a.	n.a.	n.a.

Friction Factors Between Material and Product

Lubrication	Wearstrip Material		
	Stainless steel	UHMW-PE & PA	<i>BluLub</i> ®
Dry	0,23	0,19	0,17
Water	0,19	0,15	0,14
W&s & Dry lube	0,15	0,10	0,10
Oil	0,10	0,10	0,10

Note

Material properties and performance of final product are subject to variation according to operating conditions, e.g. environmental conditions, chemicals, cleanliness.

DKM



Materials

Description

Aramid reinforced acetal material

It's commonly used in dry running glass handling applications.

Colour: Grey

Primary Component: POM

General information

Material abbreviation	Material	Chemical abbreviation	Allowable application temperatures						FDA Approval
			Fahrenheit			Celsius			
			Min	Max		Min	Max		
				Dry	Wet		Dry	Wet	
DKM	Aramid reinforced acetal	POM	-40	176	149	-40	80	65	-

Friction Factors Between Material and Product

Lubrication	Product Material					
	Paper & carton	Metal (steel)	Aluminium	Plastics & PET	Glass (returnable)	Glass (new)
Dry	0,21	0,19	0,16	0,20	0,15	0,13
Water	n.a.	0,17	0,15	0,15	0,14	0,13
W&s & Dry lube	n.a.	0,14	0,13	0,13	0,12	0,11
Oil	n.a.	0,10	n.a.	n.a.	n.a.	n.a.

Friction Factors Between Material and Product

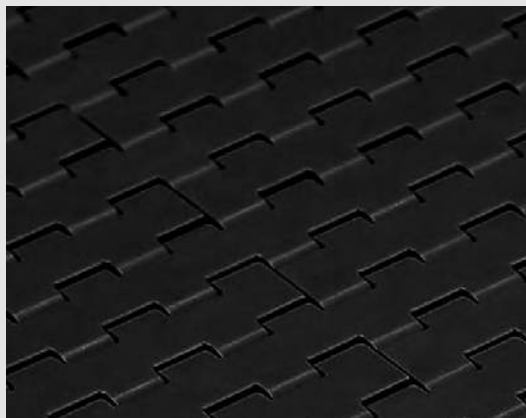
Lubrication	Wearstrip Material		
	Stainless steel	UHMW-PE & PA	<i>BluLub</i> ®
Dry	0,21	0,19	0,17
Water	0,18	0,15	0,14
W&s & Dry lube	0,15	0,11	0,11
Oil	0,10	0,10	0,10

Note

Material properties and performance of final product are subject to variation according to operating conditions, e.g. environmental conditions, chemicals, cleanliness.

MWX

Materials



Description

MWX increases wear life

Used in applications where chain is subject to abrasives conditions such as glass sand and dirt.

Colour: Black

Primary Component: Nylon (PA)

General information

Material abbreviation	Material	Chemical abbreviation	Allowable application temperatures						FDA Approval
			Fahrenheit			Celsius			
			Min	Max		Min	Max		
				Dry	Wet		Dry	Wet	
MWX	Polyamid Composite	PA	-40	219	N.R.	-40	104	N.R.	-

Friction Factors Between Material and Product

Lubrication	Product Material					
	Paper & carton	Metal (steel)	Aluminium	Plastics & PET	Glass (returnable)	Glass (new)
Dry	0,24	0,21	0,18	0,15	0,17	0,14
Water	n.a.	0,19	0,17	0,14	0,15	0,14
W&s & Dry lube	n.a.	0,15	0,14	0,12	0,13	0,12
Oil	n.a.	0,10	n.a.	n.a.	n.a.	n.a.

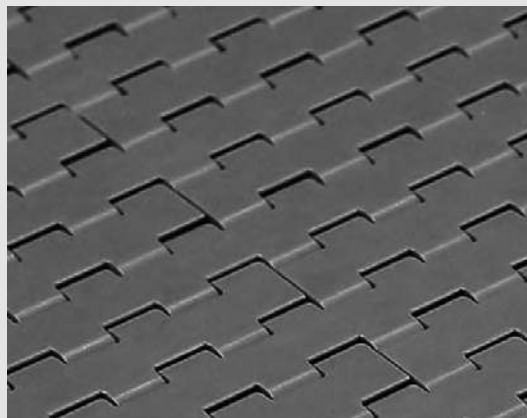
Friction Factors Between Material and Product

Lubrication	Wearstrip Material		
	Stainless steel	UHMW-PE & PA	<i>BluLub</i> ®
Dry	0,24	0,19	0,15
Water	0,20	0,13	0,11
W&s & Dry lube	0,17	0,11	0,09
Oil	0,10	0,10	0,10

Note

Material properties and performance of final product are subject to variation according to operating conditions, e.g. environmental conditions, chemicals, cleanliness.

PP



Materials

Description

Polypropylene

for better chemical resistance and higher temperatures.

Colour: Grey

Primary Component: PP

General information

Material abbreviation	Material	Chemical abbreviation	Allowable application temperatures						FDA Approval
			Fahrenheit			Celsius			
			Min	Max		Min	Max		
				Dry	Wet		Dry	Wet	
PP	Polypropylene	PP	40	220	212	4	104	100	YES

Friction Factors Between Material and Product

Lubrication	Product Material					
	Paper & carton	Metal (steel)	Aluminium	Plastics & PET	Glass (returnable)	Glass (new)
Dry	0,40	0,30	0,32	0,28	0,29	0,26
Water	n.a.	0,24	0,26	0,22	0,23	0,21
W&s & Dry lube	n.a.	0,20	0,20	0,18	0,19	0,18
Oil	n.a.	0,10	n.a.	n.a.	n.a.	n.a.

Friction Factors Between Material and Product

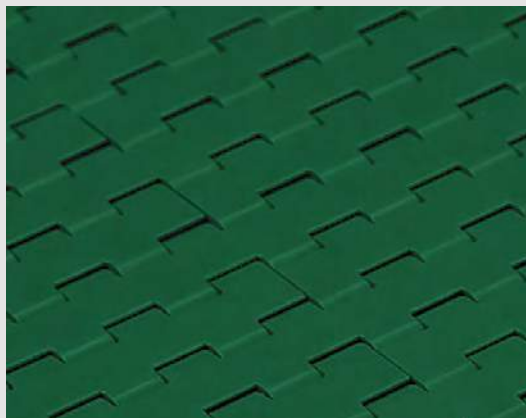
Lubrication	Wearstrip Material		
	Stainless steel	UHMW-PE & PA	<i>BluLub</i> ®
Dry	0,29	0,24	0,21
Water	0,23	0,19	0,17
W&s & Dry lube	0,19	0,13	0,13
Oil	0,10	0,10	0,10

Note

Material properties and performance of final product are subject to variation according to operating conditions, e.g. environmental conditions, chemicals, cleanliness.

PPX

Materials



Description

Reinforced Polypropylene

for improved heat stability and chemical resistance.

Colour: Green

Primary Component: PP

General information

Material abbreviation	Material	Chemical abbreviation	Allowable application temperatures						FDA Approval
			Fahrenheit			Celsius			
			Min	Max		Min	Max		
				Dry	Wet		Dry	Wet	
PPX	Reinforced Polypropylene	PP	40	220	212	4	104	100	YES

Friction Factors Between Material and Product

Lubrication	Product Material					
	Paper & carton	Metal (steel)	Aluminium	Plastics & PET	Glass (returnable)	Glass (new)
Dry	0,40	0,30	0,32	0,28	0,29	0,26
Water	n.a.	0,24	0,26	0,22	0,23	0,21
W&s & Dry lube	n.a.	0,20	0,20	0,18	0,19	0,18
Oil	n.a.	0,10	n.a.	n.a.	n.a.	n.a.

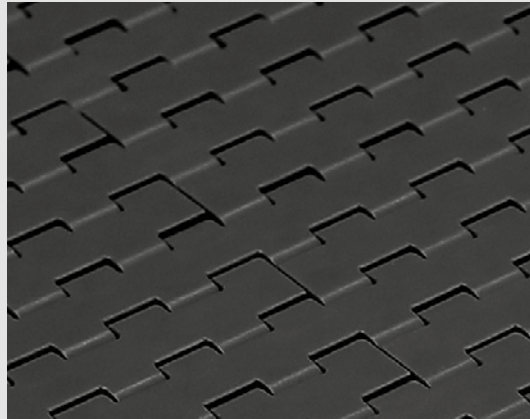
Friction Factors Between Material and Product

Lubrication	Wearstrip Material		
	Stainless steel	UHMW-PE & PA	BluLub®
Dry	0,29	0,24	0,21
Water	0,23	0,19	0,17
W&s & Dry lube	0,19	0,13	0,13
Oil	0,10	0,10	0,10

Note

Material properties and performance of final product are subject to variation according to operating conditions, e.g. environmental conditions, chemicals, cleanliness.

AS



Materials

Description**AS material**

eliminates the static accumulation that can happen during conveying products.

Colour: Black

Primary Components: POM

General information

Material abbreviation	Material	Chemical abbreviation	Allowable application temperatures						FDA Approval
			Fahrenheit			Celsius			
			Min	Max		Min	Max		
				Dry	Wet		Dry	Wet	
AS	Antistatic Acetal	POM	-4	180	N.R.	-18	82	N.R.	YES

Friction Factors Between Material and Product

Lubrication	Product Material					
	Paper & carton	Metal (steel)	Aluminium	Plastics & PET	Glass (returnable)	Glass (new)
Dry	0,35	0,28	0,29	0,25	0,27	0,24
Water	n.a.	n.a.	n.a.	n.a.	n.a.	n.a.
W&s & Dry lube	n.a.	n.a.	n.a.	n.a.	n.a.	n.a.
Oil	n.a.	n.a.	n.a.	n.a.	n.a.	n.a.

Friction Factors Between Material and Product

Lubrication	Wearstrip Material		
	Stainless steel	UHMW-PE & PA	BluLub®
Dry	0,27	0,22	0,20
Water	n.a.	n.a.	n.a.
W&s & Dry lube	n.a.	n.a.	n.a.
Oil	n.a.	n.a.	n.a.

Note

Material properties and performance of final product are subject to variation according to operating conditions, e.g. environmental conditions, chemicals, cleanliness.

SS



Materials

Description

Ferritic Stainless Steel (1.4016)
for standard applications.

General information

Material abbreviation	Material	Chemical abbreviation	Allowable application temperatures						FDA Approval
			Fahrenheit			Celsius			
			Min	Max		Min	Max		
				Dry	Wet		Dry	Wet	
SS	Standard Stainless Steel	1.4016	-22	750	265	-30	400	130	-

Friction Factors Between Material and Product

Lubrication	Product Material					
	Paper & carton	Metal (steel)	Aluminium	Plastics & PET	Glass (returnable)	Glass (new)
Dry	0,40	0,50	0,35	0,30	0,47	0,35
Water	n.a.	0,35	0,30	0,25	0,31	0,30
W&s & Dry lube	n.a.	0,20	0,15	0,15	0,21	0,15
Oil	n.a.	0,20	n.a.	n.a.	n.a.	n.a.

Friction Factors Between Material and Product

Lubrication	Wearstrip Material		
	Stainless steel	UHMW-PE & PA	<i>BluLub</i> ®
Dry	n.a.	0,35	0,32
Water	0,40	0,27	0,24
W&s & Dry lube	0,20	0,18	0,15
Oil	0,20	0,18	0,15

Note

Material properties and performance of final product are subject to variation according to operating conditions, e.g. environmental conditions, chemicals, cleanliness.

SSE



Description

Specially treated Ferritic Stainless Steel (1.4589)
for improved working-load and less friction.

Materials

General information

Material abbreviation	Material	Chemical abbreviation	Allowable application temperatures						FDA Approval
			Fahrenheit			Celsius			
			Min	Max		Min	Max		
				Dry	Wet		Dry	Wet	
SSE	Special Stainless Steel	1.4589	-22	750	265	-30	400	130	-

Friction Factors Between Material and Product

Lubrication	Product Material					
	Paper & carton	Metal (steel)	Aluminium	Plastics & PET	Glass (returnable)	Glass (new)
Dry	0,38	0,48	0,33	0,29	0,45	0,33
Water	n.a.	0,33	0,29	0,24	0,29	0,29
W&s & Dry lube	n.a.	0,19	0,14	0,14	0,20	0,14
Oil	n.a.	0,19	n.a.	n.a.	n.a.	n.a.

Friction Factors Between Material and Product

Lubrication	Wearstrip Material		
	Stainless steel	UHMW-PE & PA	<i>BluLub</i> ®
Dry	n.a.	0,33	0,30
Water	0,38	0,26	0,23
W&s & Dry lube	0,19	0,17	0,14
Oil	0,19	0,17	0,14

Note

Material properties and performance of final product are subject to variation according to operating conditions, e.g. environmental conditions, chemicals, cleanliness.

SSM



Materials

Description

Specially treated Ferritic SS (1.4589)
with optimized surface finish for superior sliding properties. For High-Speed and more critical applications.

General information

Material abbreviation	Material	Chemical abbreviation	Allowable application temperatures						FDA Approval
			Fahrenheit			Celsius			
			Min	Max		Min	Max		
				Dry	Wet		Dry	Wet	
SSM	Max Speed Stainless Steel	1.4589	-22	750	265	-30	400	130	-

Friction Factors Between Material and Product

Lubrication	Product Material					
	Paper & carton	Metal (steel)	Aluminium	Plastics & PET	Glass (returnable)	Glass (new)
Dry	0,34	0,43	0,30	0,26	0,40	0,30
Water	n.a.	0,30	0,26	0,21	0,26	0,26
W&s & Dry lube	n.a.	0,17	0,13	0,13	0,18	0,13
Oil	n.a.	0,17	n.a.	n.a.	n.a.	n.a.

Friction Factors Between Material and Product

Lubrication	Wearstrip Material		
	Stainless steel	UHMW-PE & PA	BluLub®
Dry	n.a.	0,32	0,29
Water	0,36	0,24	0,22
W&s & Dry lube	0,18	0,16	0,14
Oil	0,18	0,16	0,14

Note

Material properties and performance of final product are subject to variation according to operating conditions, e.g. environmental conditions, chemicals, cleanliness.

SSA



Description

Austenitic Stainless Steel with high resistance to corrosion and acid (AISI 304) for improved working-load and less friction.

Materials

General information

Material abbreviation	Material	Chemical abbreviation	Allowable application temperatures						FDA Approval
			Fahrenheit			Celsius			
			Min	Max		Min	Max		
				Dry	Wet		Dry	Wet	
SSA	Austenitic Stainless Steel	AISI 304	-22	750	265	-30	400	130	-

Friction Factors Between Material and Product

Lubrication	Product Material					
	Paper & carton	Metal (steel)	Aluminium	Plastics & PET	Glass (returnable)	Glass (new)
Dry	0,43	0,38	0,34	0,30	0,33	0,33
Water	n.a.	0,30	0,27	0,21	0,29	0,29
W&s & Dry lube	n.a.	0,15	0,14	0,14	0,15	0,15
Oil	n.a.	n.a.	n.a.	n.a.	n.a.	n.a.

Friction Factors Between Material and Product

Lubrication	Wearstrip Material		
	Stainless steel	UHMW-PE & PA	<i>BluLub</i> ®
Dry	0,40	0,30	0,30
Water	0,35	0,22	0,22
W&s & Dry lube	0,15	0,15	0,15
Oil	0,15	0,10	0,10

Note

Material properties and performance of final product are subject to variation according to operating conditions, e.g. environmental conditions, chemicals, cleanliness.

PA

Materials



Description

PA Polyamide composite

The high crystallinity of this material gives it excellent mechanical properties such as high abrasion, high wear resistance as well as good hardness and stiffness.

Colour: Yellow

Primary Component: Polyamide (PA)

Screws: Stainless steel

Nuts: Zinc plated steel

General information

Material abbreviation	Material	Chemical abbreviation	Allowable application temperatures						FDA Approval
			Fahrenheit			Celsius			
			Min	Max		Min	Max		
				Dry	Wet		Dry	Wet	
PA	Polyamide	PA	-40	221	N.R.	-40	105	N.R.	YES

Note: Material properties and performance of final product are subject to variation according to operating conditions, e.g. environmental conditions, chemicals, cleanliness.

Reinforced PA

Materials



Description

PA Polyamide reinforced

High quality polyamide specifically developed for injection molding, glass fiber reinforced.

Colour: Black

Primary Component: Polyamide (PA)

Screws: Stainless steel

Nuts: Nickel plated brass

General information

Material abbreviation	Material	Chemical abbreviation	Allowable application temperatures						FDA Approval
			Fahrenheit			Celsius			
			Min	Max		Min	Max		
				Dry	Wet		Dry	Wet	
RPA	Polyamide Reinforced	PA	-4	248	248	-20	120	120	-

Note: Material properties and performance of final product are subject to variation according to operating conditions, e.g. environmental conditions, chemicals, cleanliness.