



ADJUSTABLE MOTOR MOUNTING

ADJUSTABLE MOTOR MOUNTING FOR ELECTRICAL MOTOR



ADJUSTABLE MOTOR MOUNTING FOR ELECTRICAL MOTOR



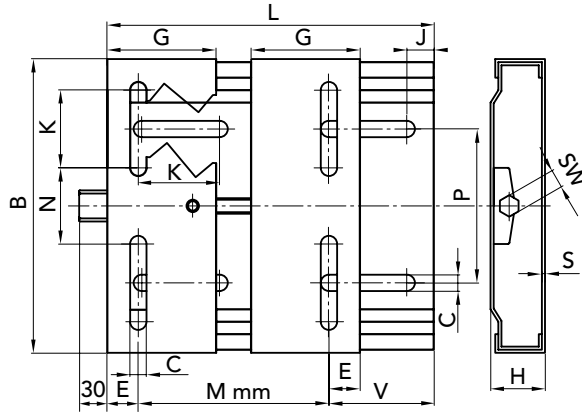


ADJUSTABLE MOTOR MOUNTING FOR ELECTRICAL MOTOR

3

MATERIAL

Zinc-coated sheet FE 430



DIMENSIONS

MOTOR SIZE	TYPE	PART NUMBER	L	B	H	Mmin	G	E	J	K	C	N	P	SW	S
63/80	210	90100210	210	195	33	100	70	20	25	50	10,5	43	98	19	3
63/112	270	90100270	270	195	33	100	70	20	25	50	10,5	43	98	19	3
90/132	340	90100340	340	290	40	135	95	27	29	62,5	12,5	90	165	22	4
100/160	430	90100430	430	290	40	140	95	27	29	62,5	12,5	90	165	22	4
160/180	490	90100490	490	410	40	254	95	40	30	60	15	193	284	22	4

WIDTH REGULATION

TYPE	63	71	80	90	100	112	132	160	180	WEIGHT kg
210	70	58	45							2,2
270	130	118	105	90	70	40				2,8
340				140	130	100	75			6,7
430					216	186	160	122		7,5
490								156	131	10,8



ADJUSTABLE MOTOR MOUNTING FOR ELECTRICAL MOTOR

Quantity, availability and prices
on B2B Chiaravalli



IE 1

TYPE	POLES	POWER Kw	VOLTAGE V	CURRENT 400 V	TORQUE N/m	EFFICIENCY %	FACTOR COS. Ø	WEIGHT Kg.
CHT 56	B2	2	230/400	0.40	0.42	62.00	0.69	3.20
CHT56	B4	4	230/400	0.43	0.64	50.00	0.61	3.20
CHT63	A2	2	230/400	0.55	0.63	63.00	0.75	4.00
CHT63	B2	2	230/400	0.71	0.88	65.00	0.78	4.40
CHT63	C2	2	230/400	1.05	1.30	65.00	0.78	4.90
CHT63	A4	4	230/400	0.47	0.85	57.00	0.64	3.90
CHT63	B4	4	230/400	0.70	1.27	57.00	0.65	4.50
CHT63	C4	4	230/400	0.92	1.77	59.00	0.67	4.80
CHT63	B6	6	230/400	0.62	1.27	45.00	0.62	4.80
CHT71	A2	2	230/400	0.97	1.29	70.00	0.79	5.60
CHT71	B2	2	230/400	1.42	1.90	71.00	0.79	6.10
CHT71	A4	4	230/400	0.84	1.77	60.00	0.62	5.60
CHT71	B4	4	230/400	1.12	2.58	65.00	0.74	6.20
CHT71	C4	4	230/400	1.61	3.81	66.00	0.75	7.00
CHT71	A6	6	230/400	0.70	1.95	56.00	0.66	6.00
CHT71	B6	6	230/400	0.87	2.65	59.00	0.70	6.50
CHT71	C6	6	230/400	1.27	3.97	61.00	0.69	7.20
CHT80	A4	4	230/400	1.59	3.81	67.00	0.75	8.90
CHT80	A6	6	230/400	1.23	3.93	62.00	0.70	8.20
CHT80	B6	6	230/400	1.65	5.80	67.00	0.72	9.90

IE 2

IE 2 EFFICIENT MOTORS

From June 2011, motors with 2-4-6 poles with powers between 0,75 Kw and 375 Kw, commercialised in the European Union, will have to conform to the new EU MEPS (European Union Minimum Energy Performances Standard) regulation concerning the efficiency level in order to reduce consumes and CO2 emissions.

IE2 acronym on motor plates will show the belonging to this category.

TYPE	POLES	POWER Kw	VOLTAGE V	CURRENT 400 V	TORQUE N/m	EFFICIENCY %	FACTOR COS. Ø	WEIGHT Kg.
CHT80	A2	2	230/400	1.75	2.51	77.40	0.80	9.10
CHT80	B2	2	230/400	2.45	3.69	80.00	0.82	10.70
CHT80	C2	2	230/400	3.12	4.97	82.70	0.83	13.00
CHT80	B4	4	230/400	1.79	5.04	79.60	0.76	11.20
CHT80	C4	4	230/400	2.72	7.39	81.40	0.71	13.50
CHT90	S2	2	230/400	3.20	4.95	81.40	0.83	13.30
CHT90	L2	2	230/400	4.54	7.38	83.20	0.84	16.00
CHT90	S4	4	230/400	2.50	7.37	81.40	0.78	13.90
CHT90	L4	4	230/400	3.31	10.09	82.80	0.79	16.20
CHT90	M4	4	230/400	5.09	14.71	84.30	0.74	20.50
CHT90	S6	6	230/400	2.01	7.66	76.00	0.71	13.0
CHT90	L6	6	230/400	2.82	11.23	78.10	0.72	16.30
CHT100	LA2	2	230/400	5.88	10.05	84.60	0.87	23.00
CHT100	LA4	4	230/400	4.83	14.70	84.30	0.78	22.70
CHT100	LB4	4	230/400	6.33	20.00	85.50	0.80	26.50
CHT100	LA6	6	230/400	3.71	15.20	80.00	0.73	22.00
CHT 112	M2	2	230/400	7.56	13.13	86.00	0.89	27.00
CHT112	M4	4	230/400	8.23	26.60	86.60	0.81	32.50
CHT112	L4	4	230/400	11.25	36.57	87.90	0.80	39.00
CHT112	M6	6	230/400	5.17	22.30	81.80	0.75	29.50
CHT132	SA2	2	230/400	10.25	18.00	87.20	0.89	40.20
CHT132	SB2	2	230/400	13.80	24.47	88.10	0.89	45.00
CHT132	S4	4	230/400	11.00	36.22	87.90	0.83	44.00
CHT132	M4	4	230/400	14.50	50.00	88.70	0.84	53.50
CHT132	M6	6	230/400	8.86	40.42	84.60	0.77	45.00
CHT132	S6	6	230/400	6.84	30.48	83.30	0.76	36.10

* On request motors from 160 to 355 Kw

* Standard Volts 400/690

* ABB motors On request

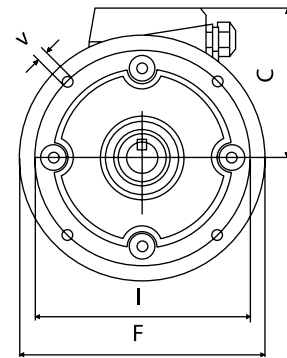
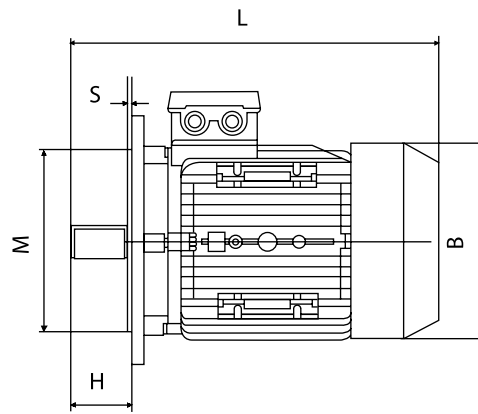
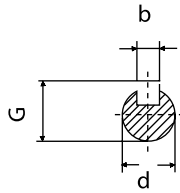
* MGM brake motors On request

CAD drawings available on our site
www.chiaravalli.com

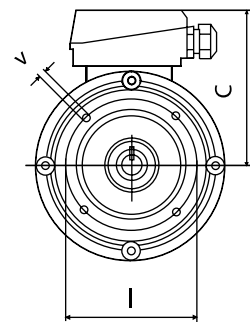
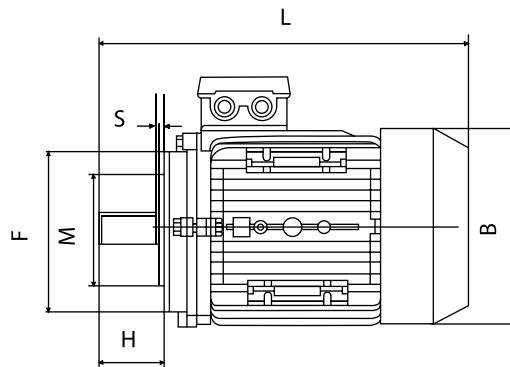
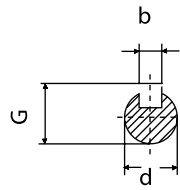
Quantity, availability and prices
 on B2B Chiaravalli



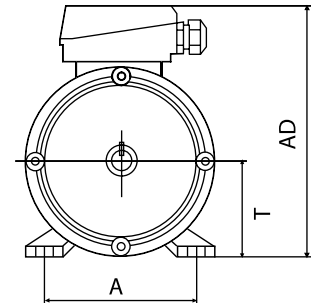
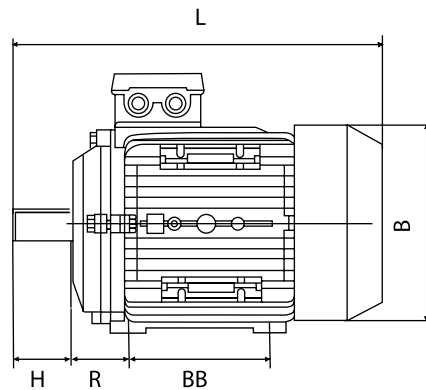
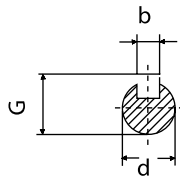
B5



B14



B3



MOUNTING DIMENSIONS (mm)

TYPE						B5					B14					B3					DIMENSIONS		
	d	H	b	G		I	M	F	V	S	I	M	F	V	S	R	BB	A	T	AD	B	C	L
56	9	20	3	10.2		98	80	120	7	3.0	65	50	80	M5	2.5	36	71	90	56	156	110	100	195
63	11	23	4	12.5		115	95	140	10	3.0	75	60	90	M5	2.5	40	80	100	63	173	123	110	215
71	14	30	5	16		130	110	160	10	3.5	85	70	105	M6	2.5	45	90	112	71	188	138	117	255
80	19	40	6	21.5		165	130	200	12	3.5	100	80	120	M6	3.0	50	100	125	80	217	155	137	290
90S	24	50	8	27		165	130	200	12	3.5	115	95	140	M8	3.0	56	100	140	90	235	176	145	310
90L/90LL	24	50	8	27		165	130	200	12	3.5	115	95	140	M8	3.0	56	125	140	90	235	176	145	335
100L	28	60	8	31		215	180	250	15	4.0	130	110	160	M8	3.5	63	140	160	100	252	197	152	386
112M	28	60	8	31		215	180	250	15	4.0	130	110	160	M8	3.5	70	140	190	112	292	220	180	395
132S	38	80	10	41		265	230	300	15	4.0	165	130	200	M10	4.0	89	140	216	132	325	257	195	436

THE COMPANY

We are an international group with over 60 years' experience in the field of mechanical transmission.

Since our inception, strongly supported and implemented by our founder Silvio Chiaravalli, our brand has stood for quality, technology and technological innovation.

*All our growth and development evolve around a strategic choice: **constant dialogue with the customer, the focus of our attention.***



SHIPPING SERVICES



B2B

*Chiaravalli Group SpA
E-commerce service*

FAST TRACK

*Daily Shipments
by air*



PRIORITY TRUCK SERVICE

Truck priority Shipments

ADVANCED SHIPPING

*Thirty hours Shipments
by air or truck*



YOUR SINGLE NEED IS OUR PRIORITY



www.chiaravalli.com

Our Logistic Center in Cantalupa is a coordinated set of informatic functions intended for storage, picking, packaging and delivery of products.

All the functions have been automatized at the highest levels available today.

The Chiaravalli logistic group has established itself over the years becoming an example of excellence for all the European companies working in the same sector.

STANDARD TRANSMISSION
Standard products as per catalogue



GEAR BOXES & ELECTRIC MOTORS
Standard products as per catalogue



MECHANICAL WORM SCREW JACKS
Customized and Standard products as per catalogue



SPECIAL COMPONENTS
Production of special components with high complexity and extremely high precision



MOTORCYCLE DIVISION
Motorcycle equipment distribution

