

GEAR BOXES AND MOTORS



60 YEARS OF HISTORY

The goal pursued by Chiaravalli during more than 60 years of history is to become the Italian and European technological center of excellence in the field of mechanical transmission.



The MANUFACTURER distributor

Our Logistic Center in Cantalupa is a coordinated set of informatic functions intended for storage, picking, packaging and delivery of products.

All the functions have been automatized at the highest levels available today.

The Chiaravalli logistic group has established itself over the years becoming an example of excellence for all the European companies working in the same sector.

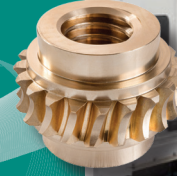


chiaravalli.com

WE MANUFACTURE

SPECIAL COMPONENTS

Production of special components with high complexity and extremely high precision



MECHANICAL WORM SCREW JACKS

Customized and Standard products as per our catalogue



STANDARD TRANSMISSION

Standard products as per our catalogue



WE DISTRIBUTE

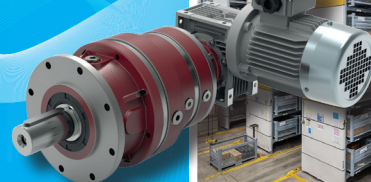
URB BEARINGS



BELTS

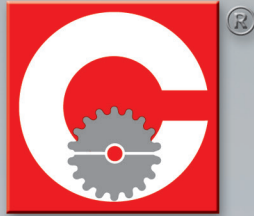


GEAR BOXES & ELECTRIC MOTORS





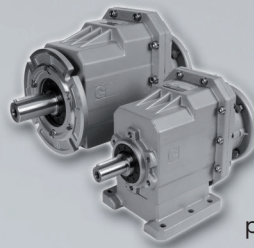
CHIARAVALLI GROUP world:
much more than a collection of perfects mechanical components



CHIARAVALLI

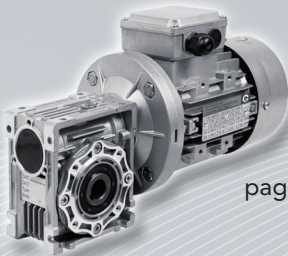
GROUP *SpA*

CHC



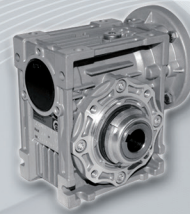
page 5

CHM



page 25

CHML



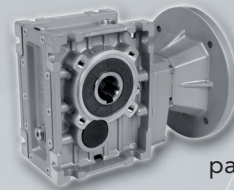
page 56

CH



page 58

CHO



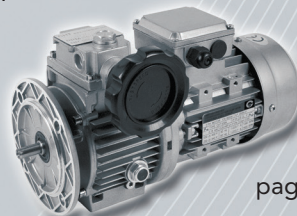
page 88

CHA



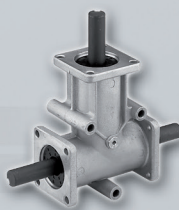
page 121

CHV



page 136

**BEVEL
GEARS**



page 141

**ELECTRIC
MOTORS**



page 153



Symbols	page 2
General information	page 2
Radial loads F_R - Lubrication - Painting	page 3
Service factor F_s	page 4
V6/B8 mounting position	page 4
■ CHC SERIES HELICAL GEAR UNITS	page 5
Introduction	page 6
Assembling possibility	page 7
General information	page 8
Radial loads F_R	page 9
Lubrication - Mounting position and terminal box orientation	page 10
Ratio and iec motor adapters	page 11
Gear unit selection tables	page 12
Performance parameter $f \cdot s = 1$	page 18
Dimension sheet CHC 16 - CHC 20	page 19
Dimension sheet CHC 25	page 20
Dimension sheet CHC 30	page 21
Dimension sheet CHC 35 - CHC 40	page 22
Exploded drawing and spare parts list	page 23
Use and maintenance instructions	page 24
■ CHM-CHMR-CHME-CHMRE	
WORM GEARED MOTORS AND WORM GEAR UNITS	page 25
CHM worm geared motors and worm gear units	page 26
Premessa - Introduction	page 27
Quantity of oil in litres - Motor mounting flanges	page 28
CHM/CHMR/CHME/CHMRE Designation - Example order	page 29
Mounting position	page 30
Performance and dimensions CHM 025/CHM 150 with 4-pole motors	page 31/40
CHMR Dimensions	page 41
CHPC/CHM worm gear with pre-stage module	page 42
Performance CHTPC/CHM with 4-pole motors	page 43
CHPC/CHM Dimensions	page 44
Double worm gears CHM/CHM-CHME	page 45
CHM/CHMR/CHME/CHMRE Designation - Example order	page 46
Execution	page 47
Performance CHM/CHM with 4-pole motors	page 48
CHM-CHM Dimensions of combined gears	page 49
Torque arm - Single and double output shaft kit	page 50
Cover - BRM-S and BRM-D reduction bushings kit	page 51
Radial loads on the output shaft CHM	page 52
Radial loads on the centre line of the input shaft	page 53
Exploded drawing and spare parts list	page 54
Use and maintenance instructions	page 55
■ CHML WORM GEARBOXES WITH TORQUE LIMITER	page 56
Design features - Dimensions	page 57
■ CH WORM GEARED MOTORS AND WORM GEAR UNITS	page 58
Introduction - Lubrication	page 59
Quantity of oil in litres - Motor mounting flanges - New Model	page 60
CH 03/04/05 Worm geared motors and worm gear units	page 61
CH - CH..P 03/04/05 Designation - Example order	page 62
CH 03/04/05 Mounting positions	page 63
CH 03 Performance and dimensions with 4-pole motors	page 64
CH 04 Performance and dimensions with 4-pole motors	page 65
CH 05 Performance and dimensions with 4-pole motors	page 66
CH 06/07/08 Worm geared motors and worm gear units	page 67
CH 06/07/08 - Designation - Example order	page 68
Mounting position	page 69
CH 06 Performance and dimensions with 4-pole motors	page 70
CH 07 Performance and dimensions with 4-pole motors	page 71
CH 08 Performance and dimensions with 4-pole motors	page 72
CHR/CHRE Dimensions	page 73



CHPC/CH worm gear with pre-stage module	page 74
CHPC worm gear with pre-stage module	page 75
CHPC/CH Performance and dimensions with 4-pole motors	page 76
Double worm gear CH/CH	page 77
Double worm gear CH/CH - Example order	page 78
Execution	page 79
CH/CH Performance and dimensions with 4-pole motors	page 80
Torque arm - Single and double output shaft kit	page 81
Cover - Reduction bushings kit	page 82
Exploded drawing and spare parts list CH 03/04/05	page 83
Exploded drawing and spare parts list CH 06/07/08	page 84
Radial loads on the output shaft	page 85
Radial loads on the centre line of the input shaft	page 86
Use and maintenance instructions	page 87
■ CHO BEVEL HELICAL GEAR UNITS	page 88
Introduction	page 89
General information	page 90
Radial loads Fr	page 91
Lubrication	page 92
Maintenance and designation	page 93
Ratios and IEC motors adapters	page 94
Gear unit selection tables	page 96
Dimension sheet	page 108
Accessories and mounting positions	page 116
Exploded drawing and spare part list	page 119
CHO use and maintenance instructions	page 120
■ CHA SHAFT MOUNTED SPEED REDUCERS	page 121
Introduction	page 122
General information	page 123
Service factor Fs	page 124
Radial loads Fr / Backstop device	page 125
Lubrication	page 126
Mounting position	page 127
Gear unit selection table	page 128
Dimension sheet	page 129
Dimension shaft	page 131
Torque tension arm	page 132
Parts list	page 133
CHA use and maintenance instructions	page 135
■ SPEED VARIATORS CHV SERIES	page 136
Speed variators CHV series - Designation	page 137
Performances with 4 poles motors - Lubrication - Recommended oils	page 138
CHV 02/05/10/20/30/50 dimensions - Accessories	page 139
Use and maintenance - Spare part list	page 140
■ RIGHT-ANGLE PRECISION BEVEL GEAR DRIVERS	page 141
Right-angle precision bevel gear drives	page 142
How to select the correct right-angle bevel gear drive for your application	page 144
Input power	page 145
External load in connection with speed	page 146
Right-angle precision bevel gear drives	page 147
■ ELECTRIC MOTORS	page 153
■ General sales conditions	page 175



SYMBOLS

P = Power (Kw)
i = Ratio
T = Torque (Nm)
n = Speed (RPM)
Fr = Radial Load (N)
Fa = Axial Load (N)
f.s. = Service Factor
D = Diameter (mm)

1 Kw = 1,36 HP

9,81 N = 1 Kp

1 Input
 2 Output



GENERAL INFORMATION

POWER P

$P_1 \cdot \eta = P_2$
 P_1 = Input power
 P_2 = Output power
 η = Transmission efficiency

2

VELOCITA' DI ROTAZIONE n

n_1 = Input speed
 n_2 = Output speed

An output speed ≤ 1400 rpm is suggested so as to optimize the working condition and extend the service life.

TRANSMISSION RATIO i

$$i = \frac{n_1}{n_2}$$

TORQUE T

$$T_2 = \frac{9550 \cdot P_1 \cdot \eta}{n_2} \quad [\text{Nm}]$$

$$T_{2n} \geq T_2 \cdot f_s \quad [\text{Nm}]$$

T_2 = Output torque
 T_{2n} = Rated output torque
 P_1 = Input power
 η = Transmission efficiency
 f_s = Service factor

2D and 3D drawings available on the web site www.chiaravalli.com
 Quantity, availability and prices with Chiaravalli B2B



RADIAL LOADS F_R

The radial loads is proportional to the requested torque and inversely proportional to the transmission member diameter following this formula.

$$F_R = \frac{2000 \cdot T \cdot \text{T.e.f.}}{D} \left[\text{N} \right]$$

F_R = Radial load
 T = Nm (Torque)
T.e.f. = Transmission element factor
T.e.f. = 1,15 gear
= 1,4 chain spocket
= 1,75 v-pulley
= 2,5 flat-pulley
 D = Transmission element diameter

When the radial loads is not applied on the centre line of the shaft it is necessary to use the following formula.

$$F_{R_x} \leq \frac{F_R \cdot a}{(b+x)} \left[\text{N} \right]$$

F_R = Radial load on the centre line
 a, b, x = see tables page 9-46-47-77-78



LUBRICATION

All, gearboxes and variators are supplied, CHA type excluded, complete with lubricant. The gearboxes maintenance free are lubricated with synthetic oil the others with mineral oil. It is very important to verify the mounting position because sometimes adding some oil is enough, in other case to lubricate bearings with special grease would be necessary. Use only recommended oils.

Warning in case of heavy work it is better to install, where possible, breather plug.



PAINTING

All the gearboxes and electrical motors are painted Grey RAL 9022 with epoxy resins powder. Big gearboxes and motors are cast iron made, aluminium all the others.

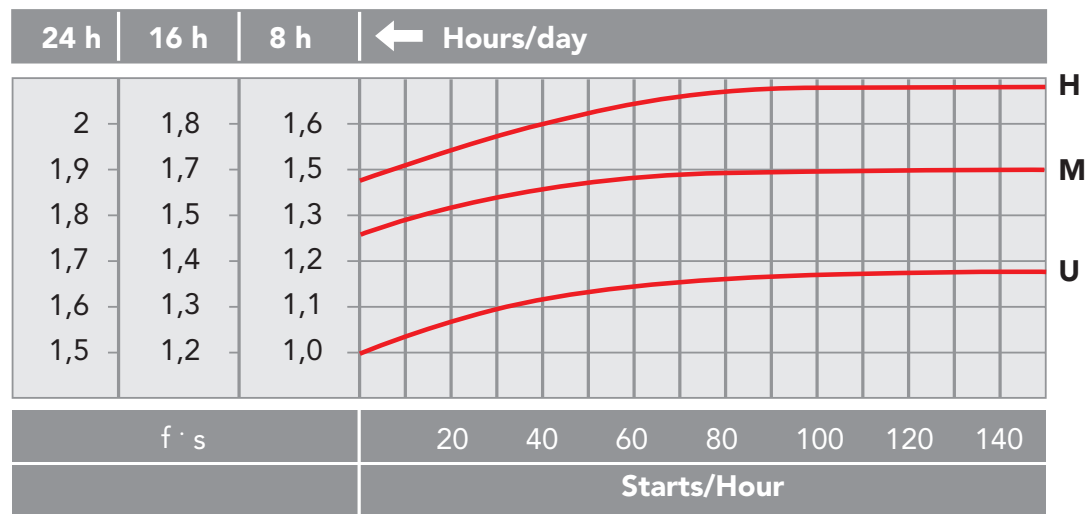


SERVICE FACTOR F_s

The service factor mainly depends on three parameters:

- type to load: U - M - H
- run time: h/day
- start-up frequency: na/h

U = uniform
M = moderate
H = heavy
na/h = starts/hour



4

LOAD TYPE - APPLICATION

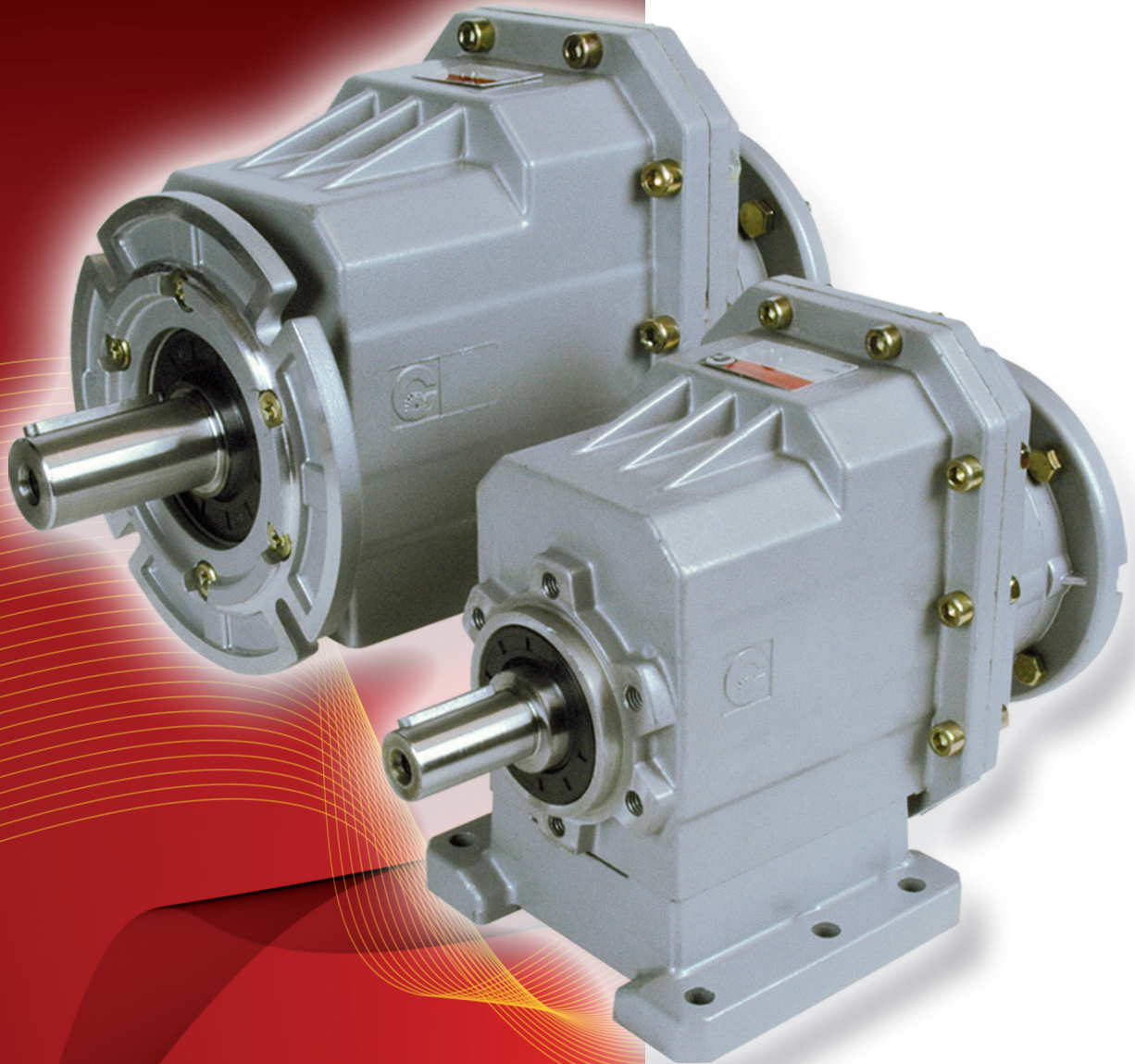
- U** Conveyor belts for light weights - centrifugal pumps - lifts - bottling machines
- M** Conveyor belts for heavy weights - packing machines - wood working machines - gear pumps
- H** Mixers - bucket elevators - tooling machines - machinery for bricks - vibrators



V6/B8 MOUNTING POSITION

When the worm gearboxes mounting position is V6 or B8, with continuous work or input speed >1400 p.p.m, it is necessary to call our technical service.

2D and 3D drawings available on the web site www.chiaravalli.com
 Quantity, availability and prices with Chiaravalli B2B



**CHC SERIES HELICAL
GEAR UNITS**



INTRODUCTION

CHC series helical gear units is a new generation product, which designed basing on the modular system.

It can be connected respectively with motors such as standard motor, brake motor, explosion-proof motor, IECmotor B5 - B14. This kind of product is widely used in drive fields such as textile, foodstuff, beverage, chemical industry, packaging and so on.

PRODUCT FEATURES

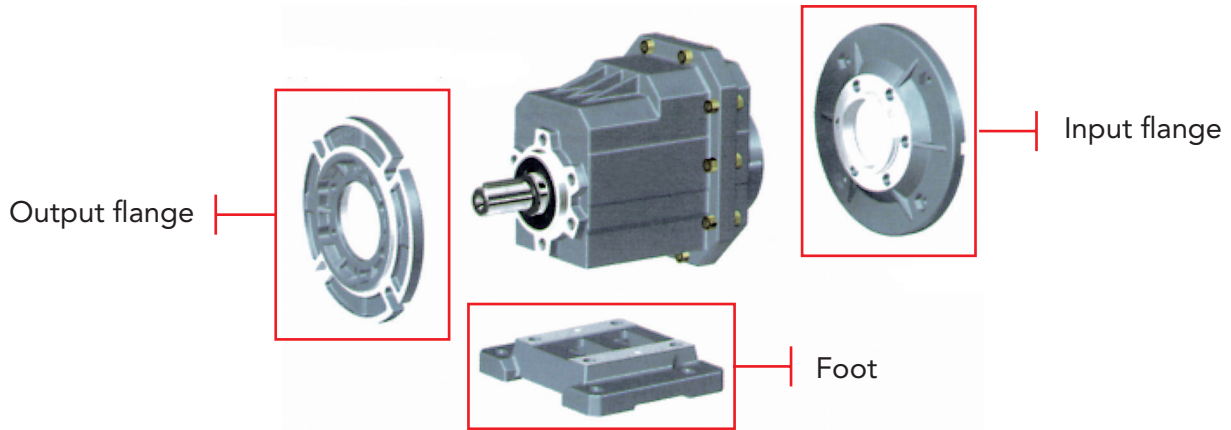
- Modularity
- High efficiency
- Low noise
- Universal mounting
- Aluminum housing, light in weight
- **Gears in carbonize hard, grinded**
- Lubricant maintenance free

CHC Series helical gear units are manufactured in 5 sizes (+ 1 on request). Power 0.12-4 Kw; Ratio 5-46.

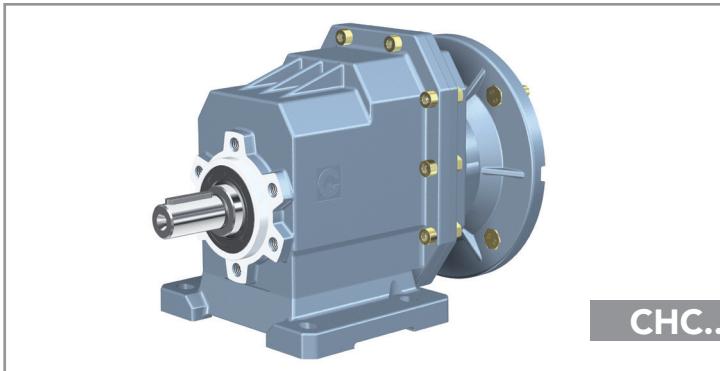
Torque max 120-500 Nm. It can be connected (foot, flange) discretionary and use multi-mounting positions according to cutomers' requirements.



ASSEMBLING POSSIBILITY



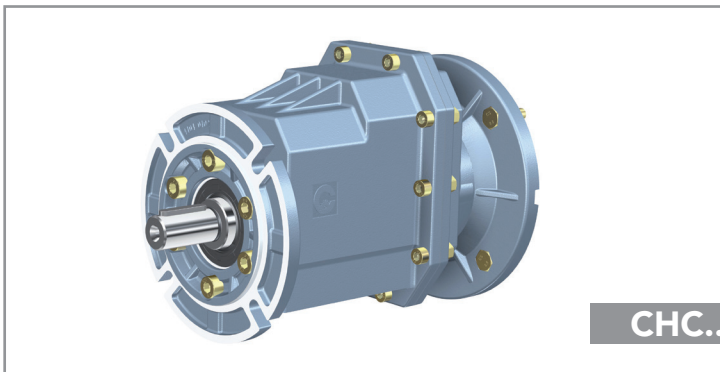
DESIGNATION



ORDER EXAMPLE
CHC 25PB 28,9 80B5 B3

Type CHC
Size 16*-20-25-30-35-40
The number indicates the output shaft diameter
*CHC 16 on request

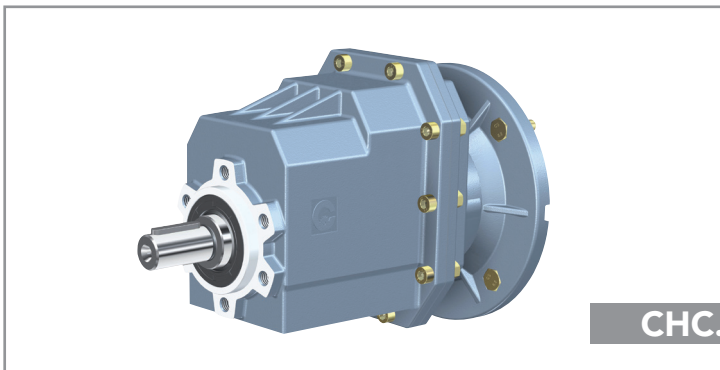
Version P foot
F flange
no foot
no flange



Flange type 1 2 3

Foot type M / B / C

Ratio see catalogue
IEC Motor flange size
Version B5-B14
Mounting position
B3-B8-B6-B7
V5-V6-B5-V1-V3



**If the motor is also required
please specify**

Size es. 71B4
Power es. Kw. 0,37
Poles es. 4
Voltage es. 230 / 400
Frequency es. 50 Hz.
Flange es. B5



GENERAL INFORMATION

POWER P

$$P_1 \cdot \eta = P_2$$

P_1 = Input power

P_2 = Output power

η = Transmission efficiency

ROTATION SPEED n

n_1 = Input speed

n_2 = Output speed

An output speed ≤ 1400 rpm is suggested so as to optimize the working condition and extend the service life.

Input speed higher are allowed following the table below.

n. RPM	POWER
1400	Kw
2000	Kw * 1,35
2800	Kw * 1,8

TRANSMISSION RATIO i

$$i = \frac{n_1}{n_2}$$

TORQUE M

$$M_2 = \frac{9550 \cdot P_1 \cdot \eta}{n_2} \text{ [Nm]}$$

$$M_2 \geq M_{2n} \cdot f_s \text{ [Nm]}$$

M_2 = Output torque

M_{2n} = Rated output torque

P_1 = Input power

η = Transmission efficiency

f_s = Service factor

2D and 3D drawings available on the web site www.chiaravalli.com

Quantity, availability and prices with Chiaravalli B2B



RADIAL LOADS F_R

The radial loads is proportional to the requested torque and inversely proportional to the transmission member diameter following this formula.

$$F_R = \frac{2000 \cdot T \cdot T.e.f.}{D} \left[N \right]$$

F_R = Radial load
 T = Nm (Torque)
 $T.e.f.$ = Transmission element factor
 $T.e.f.$ = 1,15 gear
 = 1,4 chain sprocket
 = 1,75 v-pulley
 = 2,5 flat-pulley
 D = Transmission element diameter

When the radial loads is not applied on the centre line of the shaft it is necessary to use the following formula.

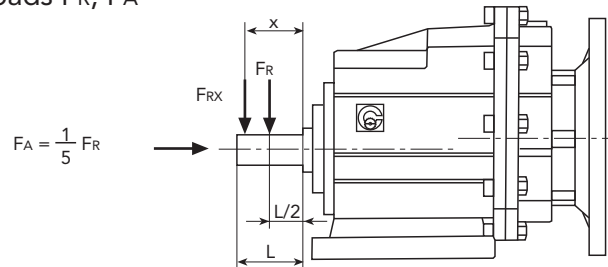
$$F_{Rx} \leq \frac{F_R \cdot a}{(b+x)} \left[N \right]$$

F_R = Radial load on the centre line
 a, b, x = see table

CONSTANTS' VALUES

	CHC 16-20	CHC 25	CHC 30	CHC 35-40
a	103	116,5	130	147
b	83	91,5	100	112

Output shaft radial loads & axial loads F_R, F_A



n_2 [min ⁻¹]	10	40	60	80	100	120	150	180	250	400
CHC 16-20	2300	2300	2180	1980	1840	1630	1400	1320	1080	920
CHC 25	4800	4800	4370	3970	3680	3470	2710	2550	2150	1840
CHC 30	6300	6300	5550	5040	4510	3800	3530	3320	2800	2390
CHC 35-40	7500	7500	6590	5990	5230	4570	4240	3900	3350	2860

F_R
[N]



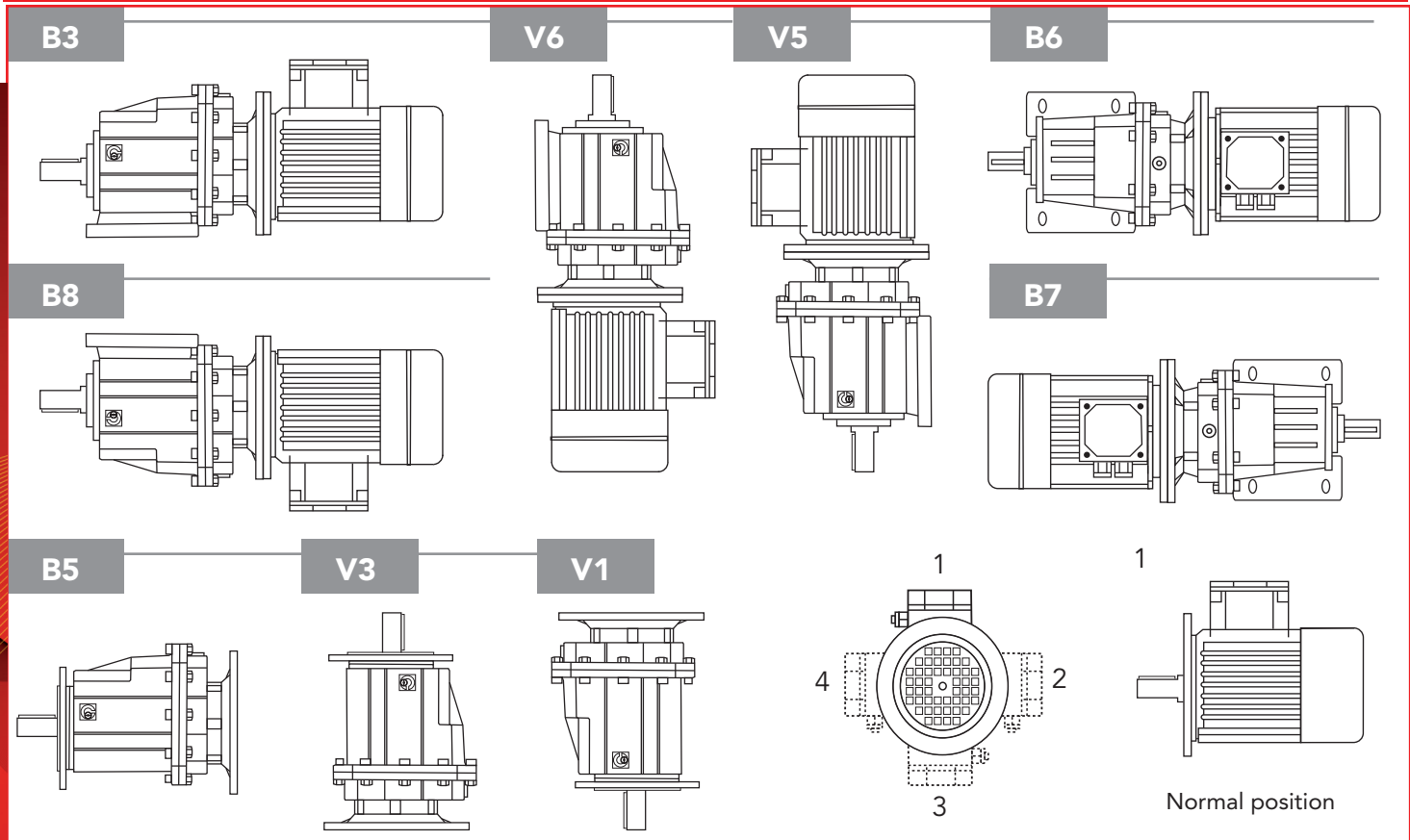
LUBRICATION

TYPES OF LUBRICATION

		ISO	SHELL	MOBIL	BP	Lubrication type
CHC	-10 to +40	VG 220	Shell Omala 220	Mobilgear 630	BP Energol GR-XP 220	Mineral Oil
	-20 to +25	VG 150 VG 100	Shell Omala 100	Mobilgear 627	BP Energol GR-XP 100	
	-30 to +10	VG 68-46 VG 32	Shell Tellus T 32	Mobil D.T.E. 13M		
	-40 to -20	VG 22 VG 15	Shell Tellus T 15	Mobil D.T.E. 11M	BP Energol HLP-HM 15	
	-40 to +40	VG 150	Shell Omala HD 150	Mobil SHC 629		Synthetic oil
	-40 to +60	VG 220	Shell Omala HD 220	Mobil SHC 630		
	-25 to +50	VG 320	Shell Tivela S 320			



MOUNTING POSITION AND TERMINAL BOX ORIENTATION



Size	Fill quantity in litres			
	B3/B8	V6/V3	V5/V1	B6/B7
CHC 16/20	0,4	0,6	0,3	0,3
CHC 25	0,5	0,7	0,4	0,4
CHC 30	0,8	1,1	0,6	0,6
CHC 35/40	1,2	1,6	1,0	0,9

The CHC gearboxes are supplied with Shell Tivela S 320 oil for STANDARD position, when mounted in V6/V3 it is necessary to add the correct quantity of oil.



RATIO AND IEC MOTOR ADAPTERS

CHC 20	(CHC16)*	IEC	
i	63B5	71B5 71B14	80B5 80B14
45,9	B		
40,1	B		
35,5	B		
28,5	B		
23,6	B		
19,8	B		
17,9	B		
13,8	B		
11,9	B		
9,8	B		
7,7	B		
5,7	B		
4,6	B	B	

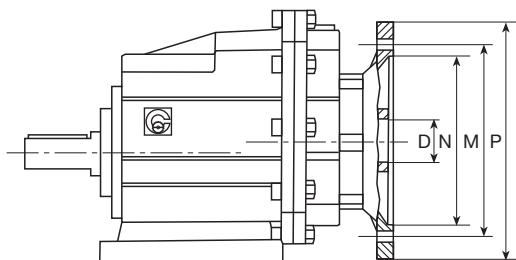
CHC 25	IEC		
i	71B5 71B14	80B5 80B14	90B5 90B14
46,5	B		
40,6	B		
35,9	B		
28,9	B		
23,9	B		
20,1		B	
17,1		B	
14,8		B	
12,1		B	
9,9		B	
7,4		B	
5,5		B	

CHC 30	IEC		
i	80B5 80B14	90B5 90B14	100/112B5 100/112B14
58,1	B		
50,0	B		
43,7	B		
38,7	B		
34,6	B		
30,6	B		
25,0	B		
21,7	B	B	
17,3	B	B	
15,0	B	B	
12,3		B	
10,2		B	
7,9		B	
5,5		B	

CHC 35	CHC 40	IEC	
i	80B5 80B14	90B5 90B14	100/112B5 100/112B14
58,1	B		
50,0	B		
43,7	B		
34,6	B	B	
28,3	B	B	
21,7	B	B	
17,3	B	B	
15,1	B	B	
12,3		B	
10,2		B	
7,9		B	
5,5		B	

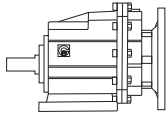
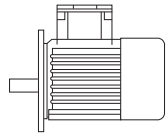
* CHC 16 Only on request
 Ratios are rounded
 B= Metal reduction bushing

IEC	63B5	71B5	71B14	80B5	80B14	90B5	90B14	100B5	100B14	112B5	112B14
D _{EB}	11	14		19		24		28		28	
P	140	160	105	200	120	200	140	250	160	250	160
M	115	130	85	165	100	165	115	215	130	215	130
N	95	110	70	130	80	130	95	180	110	180	110

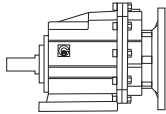
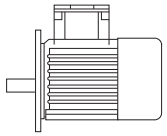




GEAR UNIT SELECTION TABLES

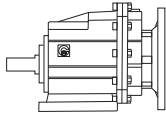
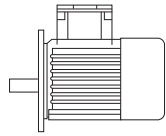
P_{1n} [Kw]	n_2 [r/min]	M_{2n} [Nm]	i	f_s			page				
0.12	30.5	36	45.9	3.3	CHC20	63B5	63A4	16			
	34.9	32	40.1	3.8	(CHC16)						
	39.5	28	35.5	4.3							
	49.1	22	28.5	5.4							
	59.4	18.5	23.6	6.5							
	70.6	15.6	19.8	7.7							
	78.4	14.0	17.9	7.1							
	101	10.8	13.8	9.2							
	118	9.4	11.9	12.8							
	143	7.7	9.8	13.0							
	181	6.1	7.7	13.2							
	246	4.5	5.7	13.4							
	0.18	19.6	84	45.9	1.4	CHC20	71B5/B14		71A6	16	
22.4		74	40.1	1.6	(CHC16)						
25.4		65	35.5	1.8							
31.6		52	28.5	2.3							
30.5		54	45.9	2.2	CHC20	63B5	63B4	16			
34.9		47	40.1	2.5	(CHC16)						
39.5		42	35.5	2.9							
49.1		34	28.5	3.6							
59.4		28	23.6	4.3							
70.6		23	19.8	5.1							
78.4		21	17.9	4.8							
101		16.3	13.8	6.1							
118		14.0	11.9	8.6							
143	11.6	9.8	8.6								
181	9.1	7.7	8.8								
246	6.7	5.7	8.9								
0.25	19.4	85	46.5	2.3	CHC25	71B5/B14	71A6		17		
	22.2	74	40.6	2.7							
	25.1	66	35.9	3.0							
	31.2	53	28.9	3.8							
	30.1	55	46.5	3.7	CHC25	63B5	63B4	17			
	34.5	48	40.6	4.2							
	19.6	117	45.9	1.0	CHC20	71B5/B14	71B6			16	
	22.4	102	40.1	1.2	(CHC16)						
	25.4	90	35.5	1.3							
	31.6	73	28.5	1.7							
	30.5	75	45.9	1.6	CHC20	71B5/B14	71A4				16
	34.9	66	40.1	1.8	(CHC16)						
	39.5	58	35.5	2.1							
49.1	47	28.5	2.6								
59.4	39	23.6	3.1								
70.6	32	19.8	3.7								

2D and 3D drawings available on the web site www.chiaravalli.com
Quantity, availability and prices with Chiaravalli B2B

P_{1n} [Kw]	n_2 [r/min]	M_{2n} [Nm]	i	f_s			page	
0.25	78.4	29	17.9	3.4	CHC20	71B5/B14	71A4	16
	101	23	13.8	4.4	(CHC16)			
	118	19.5	11.9	6.2				
	143	16.1	9.8	6.2				
	181	12.6	7.7	6.3				
	246	9.3	5.7	6.4				
	19.4	118	46.5	1.7	CHC25	71B5/B14	71B6	17
	22.2	103	40.6	1.9				
	25.1	91	35.9	2.2				
	31.2	74	28.9	2.7				
	30.1	76	46.5	2.6	CHC25	71B5/B14	71A4	17
	34.5	66	40.6	3.0				
0.37	39.0	59	35.9	3.4				
	48.5	47	28.9	4.2				
	30.5	111	45.9	1.1	CHC20	71B5/B14	71B4	16
	34.9	97	40.1	1.2	(CHC16)			
	39.5	86	35.5	1.4				
	49.1	69	28.5	1.7				
	59.4	57	23.6	2.1				
	70.6	48	19.8	2.5				
	78.4	43	17.9	2.3				
	101	33	13.8	3.0				
	118	29	11.9	4.2				
	143	24	9.8	4.2				
	181	19	7.7	4.3				
	246	14	5.7	4.4				
	19.4	175	46.5	1.1	CHC25	80B4/B14	80A6	17
	22.2	153	40.6	1.3				
	25.1	135	35.9	1.5				
	31.2	109	28.9	1.8				
	30.1	113	46.5	1.8	CHC25	71B5/B14	71B4	17
	34.5	98	40.6	2.0				
	39	87	35.9	2.3				
	48.5	70	28.9	2.9				
	58.7	58	23.8	3.5				
	81.9	41	17.1	3.9				
	15.5	219	58.1	1.4	CHC30	80B5/B14	80A6	18
	18.0	189	50.0	1.6				
	21.0	165	43.7	1.8				
	0.55	101	50	13.8	2.0	CHC20	80B5/B14	80A4
	118	43	11.9	2.8	(CHC16)			
	143	35	9.8	2.8				
	181	28	7.7	2.9				
	246	20	5.7	2.9				

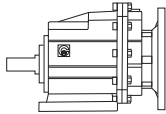
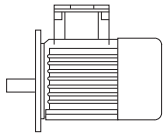


GEAR UNIT SELECTION TABLES

P_{1n} [Kw]	n_2 [r/min]	M_{2n} [Nm]	i	f_s			page	
0.55	19.4	260	46.5	0.8	CHC25	80B5/B14	80B6	17
	22.2	227	40.6	0.9				
	25.1	201	35.9	1.0				
	31.2	162	28.9	1.2				
	37.7	134	23.9	1.5				
	30.1	167	46.5	1.2	CHC25	80B5/B14	80A4	17
	34.5	146	40.6	1.4				
	39	129	35.9	1.5				
	48.5	104	28.9	1.9				
	58.7	86	23.9	2.3				
	69.7	72	20.1	2.8				
	81.9	62	17.1	2.6				
	94.5	53	14.8	3.7				
	15.5	325	58.1	0.9	CHC30	80B5/B14	80B6	18
18.0	280	50.0	1.1					
21.0	245	43.7	1.2					
23.0	217	38.7	1.4					
24.0	209	58.1	1.4	CHC30	80B5/B14	80A4	18	
28.0	180	50.0	1.7					
32.0	158	43.7	1.9					
36.0	139	38.7	2.2					
0.75	101	68	13.8	1.5	CHC20	80B5/B14	80B4	16
	118	58	11.9	2.1	(CHC16)			
	143	48	9.8	2.1				
	181	38	7.7	2.1				
	246	28	5.7	2.1				
	302	23	4.6	2.6				
	30.1	228	46.5	0.9	CHC25	80B5/B14	80B4	17
	34.5	199	40.6	1.0				
	39	176	35.9	1.1				
	48.5	142	28.9	1.4				
	58.7	117	23.9	1.7				
	69.7	99	20.1	2.0				
	81.9	84	17.1	1.9				
	94.5	73	14.8	2.7				
	116.2	59	12.1	3.4				
	141	49	9.9	3.3				
	189	36	7.4	3.3				
	257	27	5.5	3.7				
	23.3	296	38.7	1.0	CHC30	90B5/B14	90S6	18
	26.0	264	34.6	1.1				
29.4	234	30.6	1.3					
36	191	25.0	1.6					
24.0	285	58.1	1.1	CHC30	80B5/B14	80B4	18	

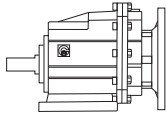
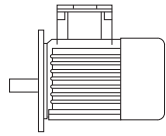
2D and 3D drawings available on the web site www.chiaravalli.com

Quantity, availability and prices with Chiaravalli B2B

P_{1n} [Kw]	n_2 [r/min]	M_{2n} [Nm]	i	f_s			page	
0.75	28.0	246	50.0	1.2	CHC30	80B5/B14	80B4	18
	32.0	215	43.7	1.4				
	36.2	190	38.7	1.6				
	40.5	160	34.6	1.8				
	45.8	150	30.6	2.0				
	56.0	123	25.0	2.4				
	64.5	107	21.7	2.6				
	15.5	444	58.1	1.1	CHC35	90B5/B14	90S6	19
	18.0	382	50.0	1.3	CHC40			
	20.6	334	43.7	1.5				
26.0	264	34.6	1.9					
24.0	285	58.1	1.8	CHC35	80B5/B14	80B4	19	
28.0	246	50.0	2.0	CHC40				
32.0	215	43.7	2.3					
1.1	101	99	13.8	1.0	CHC20	80B5/B14	80C4	16
	118	86	11.9	1.4	(CHC16)			
	143	71	9.8	1.4				
	181	56	7.7	1.4				
	246	41	5.7	1.5				
	302	33	4.6	1.8				
	48.5	208	28.9	1.0	CHC25	80B5/B14	80C4	17
	58.7	172	23.9	1.2				
	69.7	145	20.1	1.4	CHC25	90B5/B14	90S4	17
	81.9	123	17.1	1.3				
94.5	107	14.8	1.9					
116	87	12.1	2.3					
141	72	9.9	2.2					
189	53	7.4	2.3					
257	39	5.5	2.5					
32.0	315	43.7	0.9	CHC30	90B5/B14	90S4	18	
36.2	279	38.7	1.1					
40.4	249	34.6	1.2					
45.8	220	30.6	1.4					
56.0	180	25.0	1.7					
64.5	157	21.7	1.8					
81.0	125	17.3	2.2					
24.0	418	58.1	1.2	CHC35	90B5/B14	90S4	19	
28.0	360	50.0	1.4	CHC40				
32.0	315	43.7	1.6					
40.5	249	34.6	2.0					
49.5	204	28.3	2.5					
64.5	157	21.7	3.1					
81.0	125	17.3	3.8					
92.7	108	15.1	4.2					

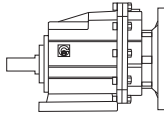
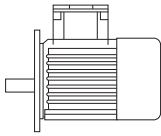


GEAR UNIT SELECTION TABLES

P_{1n} [Kw]	n_2 [r/min]	M_{2n} [Nm]	i	f_s			page		
1.5	69.7	197	20.1	1.0	CHC25	90B5/B14	90L4	17	
	81.9	168	17.1	1.0					
	94.5	145	14.8	1.4					
	116	118	12.1	1.7					
	141	98	9.9	1.6					
	189	73	7.4	1.7					
1.5	257	54	5.5	1.9	CHC25	90B5/B14	90L4	17	
	40.4	340	34.6	0.9	CHC30	90B5/B14	90L4	18	
	45.8	300	30.6	1.0					
	56	245	25.0	1.2					
	64.5	214	21.7	1.3					
	81.0	170	17.3	1.6					
	93.0	148	15.0	1.8					
	113.8	122	12.3	2.1					
	136.0	101	10.3	2.4					
	177	78	7.9	2.3					
	255	54	5.5	2.8					
	26.0	529	34.6	0.9	CHC35	100B5/B14	100L6	19	
	31.8	432	28.3	1.2	CHC40				
	41,5	333	21.7	1.4					
1.5	24.0	571	58.1	0.9	CHC35	90B5/B14	90L4	19	
	28.0	491	50.0	1.0	CHC40				
	32.0	430	43.7	1.2					
	40.4	340	34.6	1.5					
	49.5	278	28.3	1.8					
	64.5	214	21.7	2.2					
	81.0	170	17.3	2.8					
	92.7	148	15.1	3.1					
	2.2	81.0	250	17.3	1.1	CHC30	100B5/B14	100LA4	18
		93.0	217	15.0	1.2				
113.8		178	12.3	1.5					
136.0		148	10.2	1.6					
177		114	7.9	1.6					
255		79	5.5	1.9					
41.5		488	21.7	1.0	CHC35	112B5/B14	112M6	19	
52.0		388	17.3	1.2	CHC40				
59.6		338	15.1	1.4					
40.4		499	34.6	1.0	CHC35	100B5/B14	100LA4	19	
49.5		408	28.3	1.2	CHC40				
64.5		314	21.7	1.5					
81.0		250	17.3	1.9					
92.7		217	15.1	2.1					
113.8	178	12.3	2.6						
136.0	148	10.2	3.0						

2D and 3D drawings available on the web site www.chiaravalli.com

Quantity, availability and prices with Chiaravalli B2B

P_{1n} [Kw]	n₂ [r/min]	M_{2n} [Nm]	i	f_s				page	
	177	114	7.9	2.3		CHC40			
	255	79	5.5	2.9					
3	93.0	296	15.0	0.9		CHC30	100B5/B14	100LB4	18
	113.8	243	12.3	1.1					
	136.0	202	10.2	1.2					
	177	156	7.9	1.2					
3	255	108	5.5	1.4		CHC30	100B5/B14	100LB4	18
	49.5	556	28.3	0.9		CHC35	100B5/B14	100LB4	19
	64.5	428	21.7	1.1		CHC40			
	81.0	340	17.3	1.4					
	92.7	296	15.1	1.6					
	113.8	243	12.3	1.9					
	136	202	10.2	2.2					
	177	156	7.9	1.7					
	255	108	5.5	2.1					
4	177	208	7.9	0.9		CHC30	112B5/B14	112M4	18
	255	144	5.5	1.0					
	113.8	324	12.3	1.4		CHC35	112B5/B14	112M4	19
	136.0	269	10.2	1.6		CHC40			
	177	208	7.9	1.3					
	255	144	5.5	1.6					



PERFORMANCE PARAMETER $f \cdot s = 1$

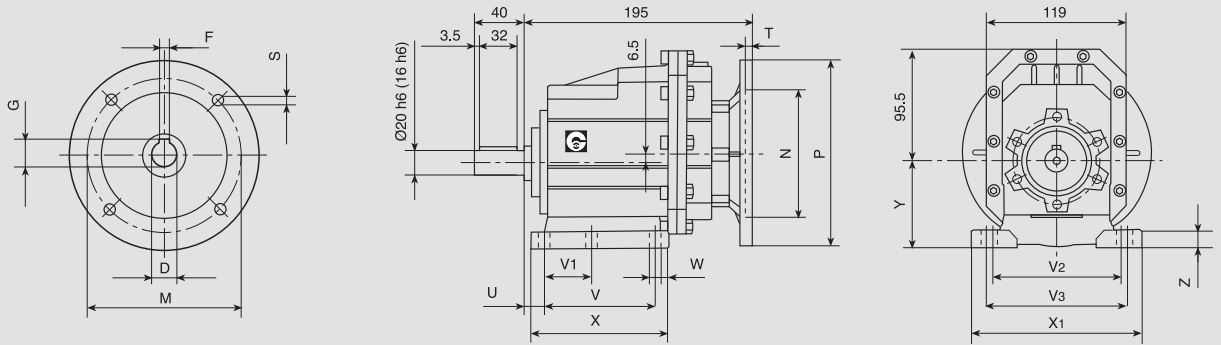
M_{2max} [Nm]	n_1 [r/min]	i	P_{1n} [Kw]	n_2 [r/min]	
120	1400	45.9	0.40	30.5	CHC20
120	1400	40.1	0.46	34.9	(CHC16)
120	1400	35.5	0.52	39.5	
120	1400	28.5	0.64	49.1	
120	1400	23.6	0.78	59.4	
120	1400	19.8	0.92	70.6	
90	1400	17.9	0.77	78.4	
90	1400	13.8	1.00	101	
120	1400	11.9	1.54	118	
120	1400	9.8	1.87	143	
80	1400	7.7	1.58	181	
70	1400	5.7	1.88	246	
70	1400	4.6	2.31	302	
200	1400	46.5	0.66	30.1	CHC25
200	1400	40.6	0.75	34.5	
200	1400	35.9	0.85	39.0	
200	1400	28.9	1.06	48.5	
200	1400	23.9	1.28	58.7	
200	1400	20.1	1.52	69.7	
140	1400	17.1	1.25	81.9	
200	1400	14.8	2.06	94.6	
200	1400	12.1	2.53	116	
200	1400	9.9	3.08	141	
120	1400	7.4	2.49	190	
100	1400	5.5	2.80	257	
300	1400	58.1	0.79	24.0	CHC30
300	1400	50.0	0.92	28.0	
300	1400	43.7	1.04	32.0	
300	1400	38.7	1.18	36.1	
300	1400	34.6	1.32	40.5	
300	1400	30.6	1.50	45.8	
300	1400	25.0	1.83	56.0	
280	1400	21.7	1.96	64.5	
280	1400	17.3	2.47	81.0	
260	1400	15.0	2.64	93.0	
260	1400	12.3	3.21	113.8	
240	1400	10.2	3.57	137.0	
180	1400	7.9	3.46	176	
150	1400	5.5	4.17	255	
500	1400	58.1	1.31	24.0	CHC35
500	1400	50.0	1.53	28.0	CHC40
500	1400	43.7	1.75	32.0	
500	1400	34.6	2.21	40.5	
500	1400	28.3	2.70	49.5	
480	1400	21.7	3.37	64.5	
480	1400	17.3	4.23	81.0	
460	1400	15.1	4.66	93.0	
460	1400	12.3	5.68	113.8	
440	1400	10.2	6.54	136.0	
260	1400	7.9	5.01	177	
230	1400	5.5	6.41	255	



DIMENSION SHEET

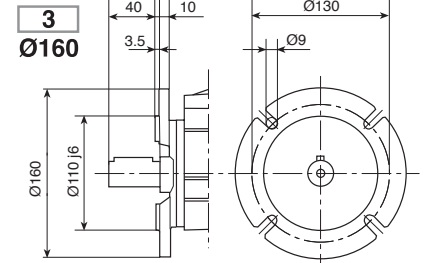
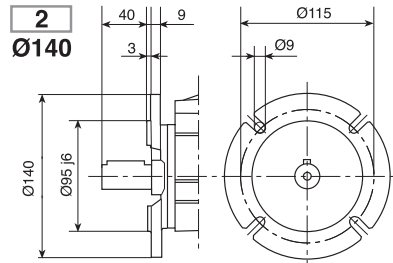
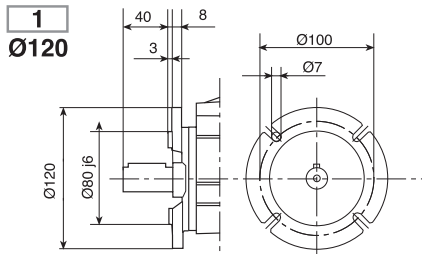
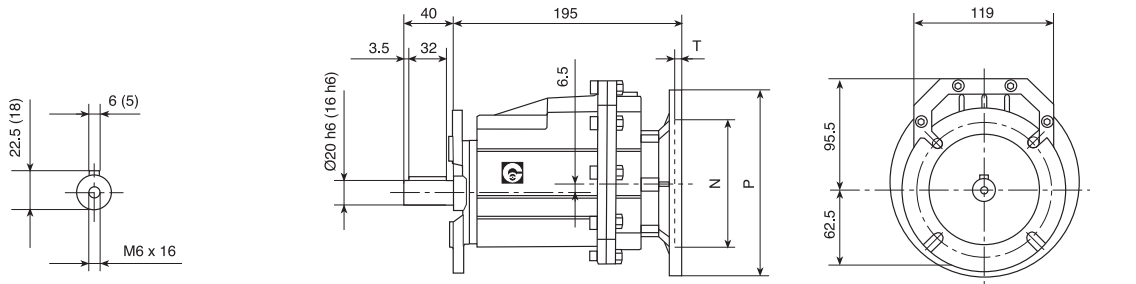
CHC 20 (CHC16) P (IEC)

INPUT

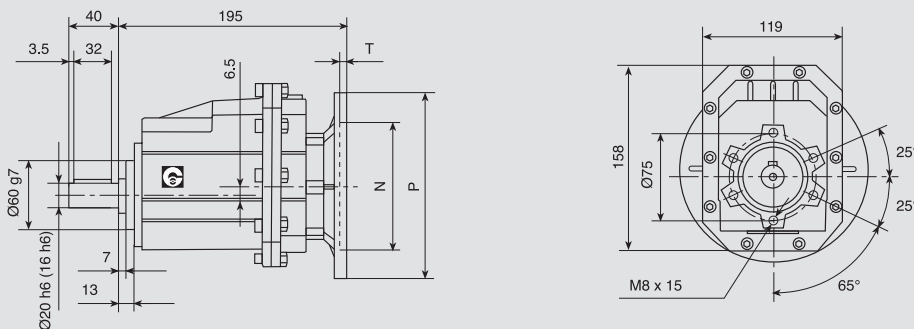


CHC 20 (CHC16) F (IEC)

OUTPUT



CHC 20 (CHC16) (IEC)



(CHC16) On request

kg. 4,7

IEC	D	F	G	P	M	N	S	T
63B5	11	4	12.8	140	115	95	9	5
71B5	14	5	16.3	160	130	110	9	5
71B14	14	5	16.3	105	85	70	7	5
80B5	19	6	21.8	200	165	130	11	5
80B14	19	6	21.8	120	100	80	7	5

Foot cod.	U	V	V ₁	V ₂	V ₃	W	X	X ₁	Y	Z
B	18	87	50	110	-	9	118	130	85	15
M	18	80	-	110	120	9	118	145	75	15

2D and 3D drawings available on the web site www.chiaravalli.com

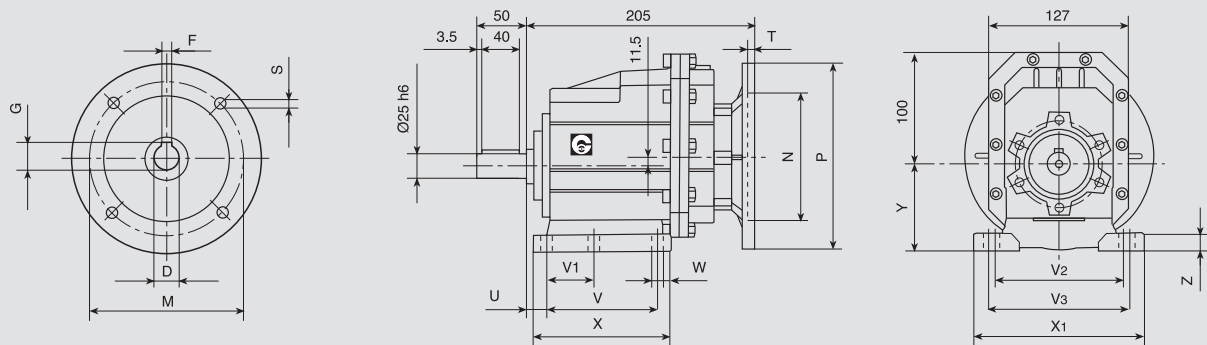
Quantity, availability and prices with Chiaravalli B2B



DIMENSION SHEET

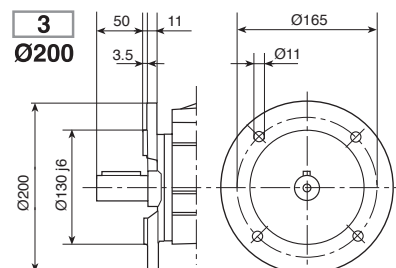
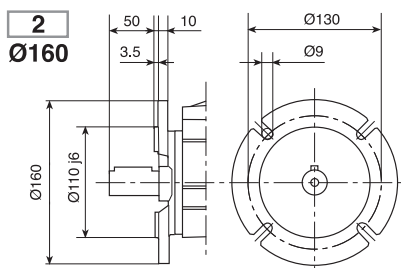
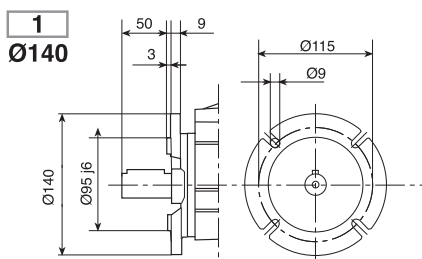
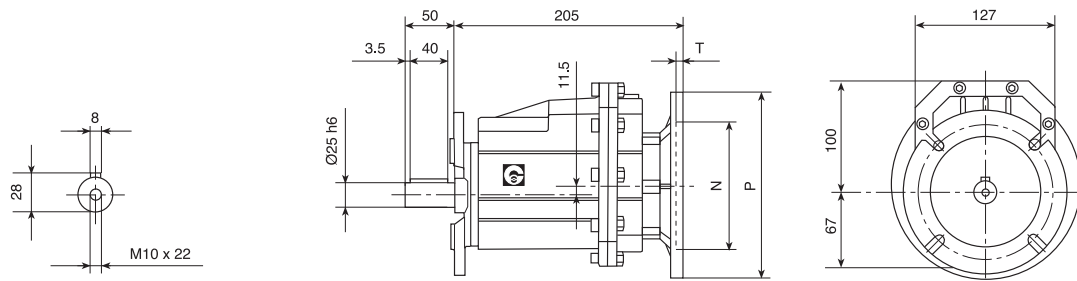
CHC 25 P (IEC)

INPUT

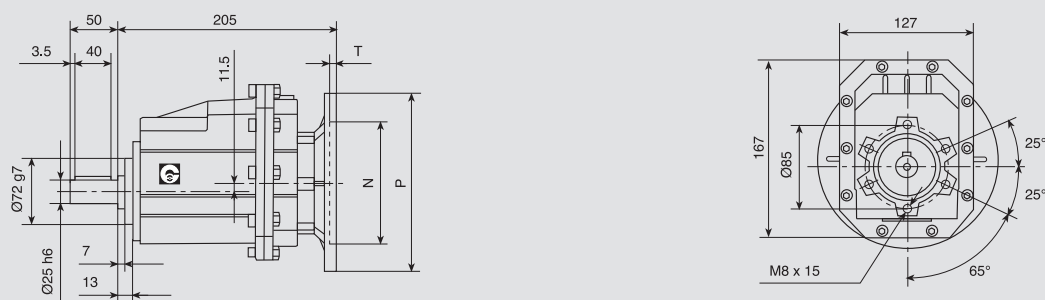


CHC 25 F (IEC)

OUTPUT



CHC 25 (IEC)



kg. 5,8

Foot cod.	U	V	V ₁	V ₂	V ₃	W	X	X ₁	Y	Z
B	18	107,5	60	-	130	11	136	155	100	17
M	25	85	-	110	120	9	112	145	80	15

IEC	D	F	G	P	M	N	S	T
71B5	14	5	16.3	160	130	110	9	5
71B14	14	5	16.3	105	85	70	7	5
80B5	19	6	21.8	200	165	130	11	5
80B14	19	6	21.8	120	100	80	7	5
90B5	24	8	27.3	200	165	130	11	5
90B14	24	8	27.3	140	115	95	9	5

2D and 3D drawings available on the web site www.chiaravalli.com

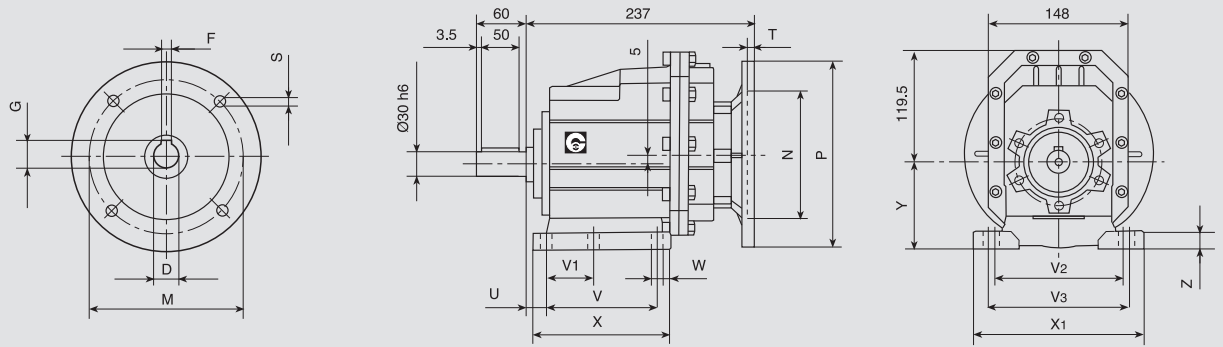
Quantity, availability and prices with Chiaravalli B2B



DIMENSION SHEET

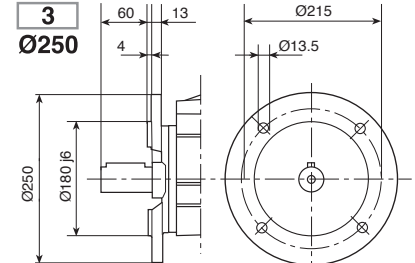
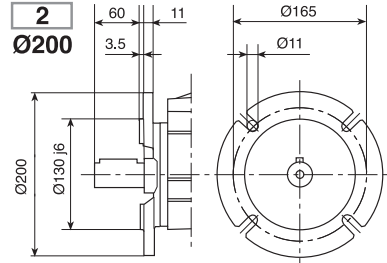
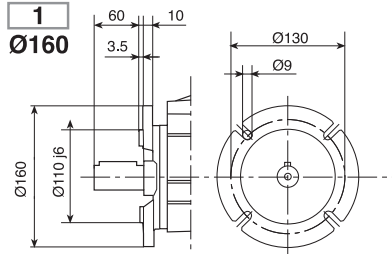
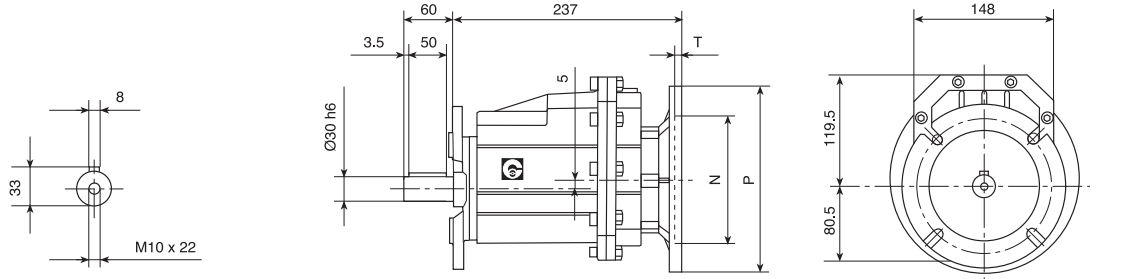
CHC 30 P (IEC)

INPUT

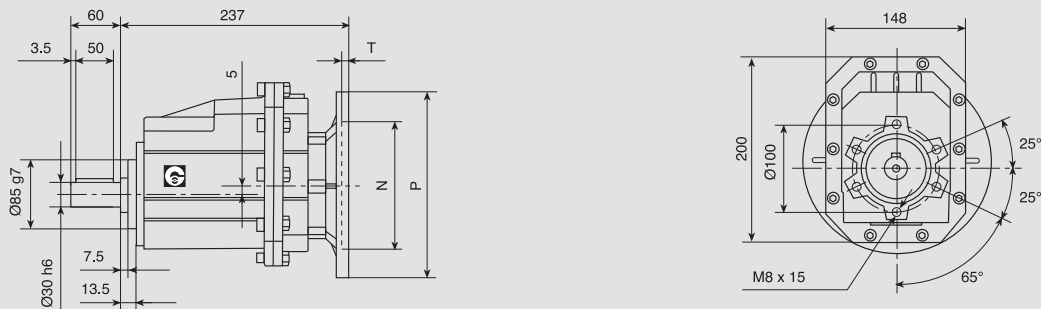


CHC 30 F (IEC)

OUTPUT



CHC 30 (IEC)



kg. 9,2

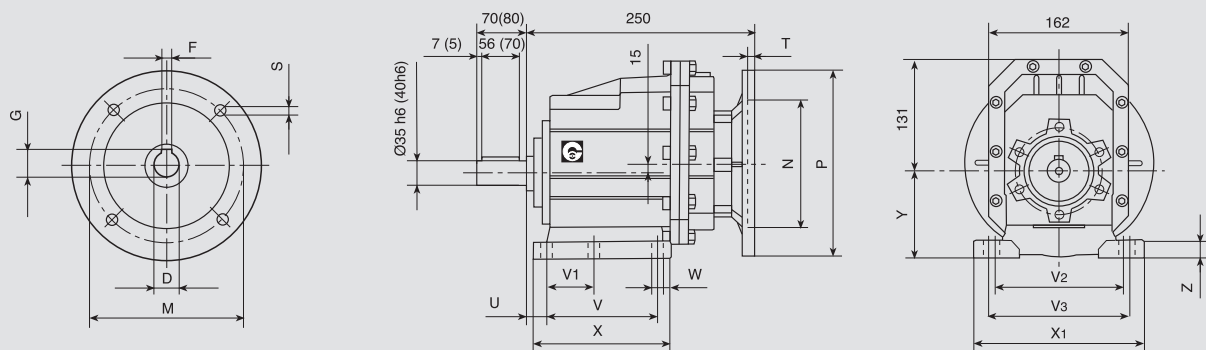
IEC	D	F	G	P	M	N	S	T
80B5	19	6	21.8	200	165	130	11	5
80B14	19	6	21.8	120	100	80	7	5
90B5	24	8	27.3	200	165	130	11	5
90B14	24	8	27.3	140	115	95	9	5
100/112B5	28	8	31.3	250	215	180	13.5	5
100/112B14	28	8	31.3	160	130	110	9	5

Foot cod.	U	V	V1	V2	V3	W	X	X1	Y	Z
B	18	130	70	-	160	11	156	190	110	20
M	30	100	-	135	150	11	150	190	110	18



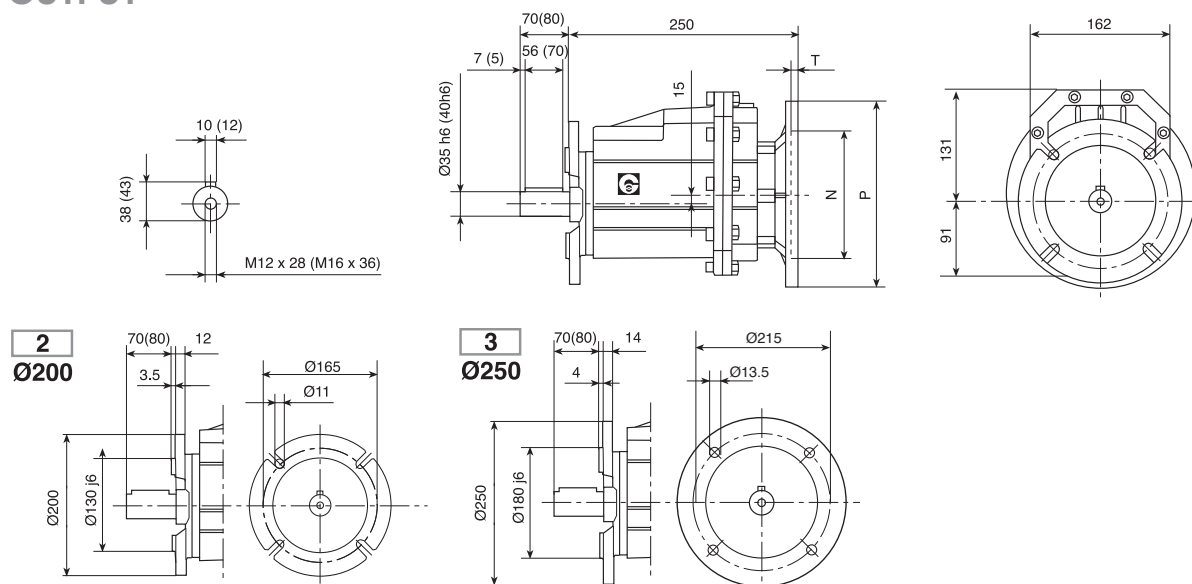
CHC 35 - CHC 40 P (IEC)

INPUT

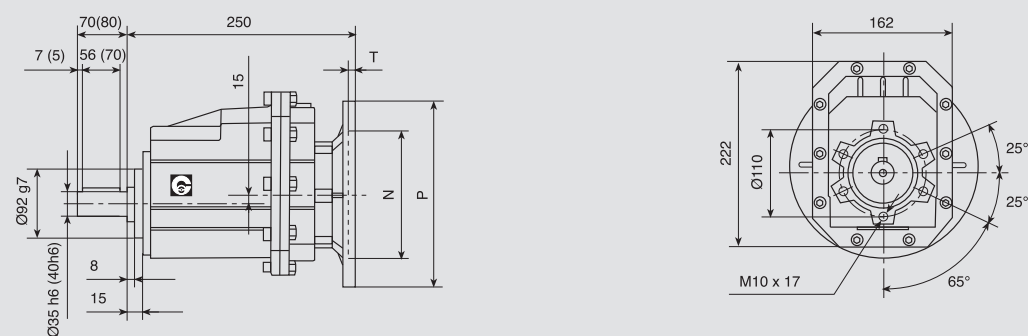


CHC 35 - CHC 40 F (IEC)

OUTPUT



CHC 35 - CHC 40 (IEC)



kg. 12,2

Foot cod.	U	V	V ₁	V ₂	V ₃	W	X	X ₁	Y	Z
B	23.5	130	-	170	-	14	168	205	115	20
C	19.5	149.5	-	180	-	14	185	215	130	20
M	35	110	-	170	185	14	150	230	120	20

IEC	D	F	G	P	M	N	S	T
80B5	19	6	21.8	200	165	130	11	5
80B14	19	6	21.8	120	100	80	7	5
90B5	24	8	27.3	200	165	130	11	5
90B14	24	8	27.3	140	115	95	9	5
100/112B5	28	8	31.3	250	215	180	13.5	5
100/112B14	28	8	31.3	160	130	110	9	5

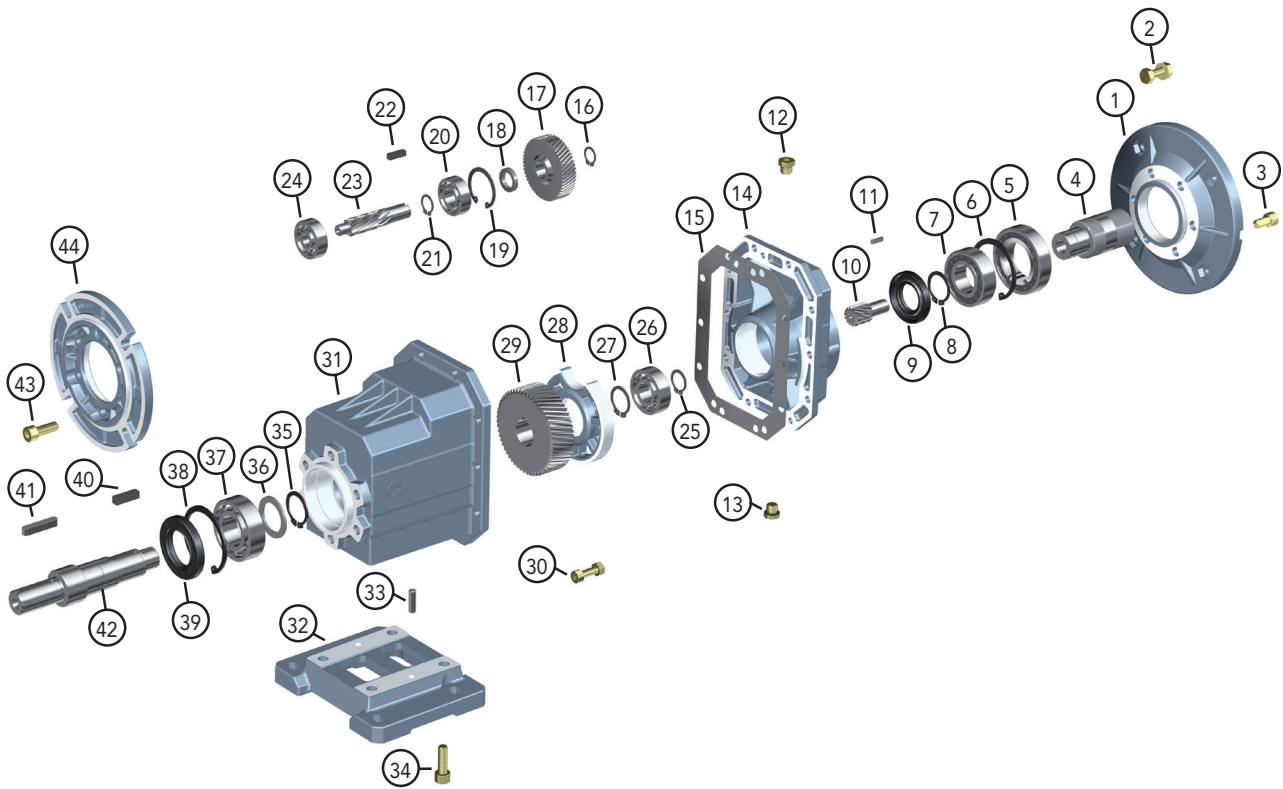
(...) Between brackets CHC 40 dimension

2D and 3D drawings available on the web site www.chiaravalli.com

Quantity, availability and prices with Chiaravalli B2B



EXPLODED DRAWING AND SPARE PARTS LIST



1	MOTOR CONNECTION FLANGE	23	SECOND REDUCTION PINION
2	SCREW WITH NUT	24	BEARING
3	HEXAGONAL-HEAD SCREW	25	SEEGER
4	HOLE INPUT SHAFT	26	BEARING
5	BEARING	27	SEEGER
6	SEEGER	28	INTERNAL SUPPORT
7	BEARING	29	SECOND REDUCTION GEAR
8	SEEGER	30	SCREW WITH NUT
9	OIL SEAL	31	HOUSING
10	FIRST REDUCTION PINION	32	FOOT KIT
11	KEY	33	DOWEL PIN
12	OIL PLUG	34	HEXAGONAL-HEAD SCREW
13	OIL PLUG	35	SEEGER
14	COVER	36	SPACER
15	GASKET	37	BEARING
16	SEEGER	38	SEEGER
17	FIRST REDUCTION GEAR	39	OIL SEAL
18	SPACER	40	KEY
19	SEEGER	41	KEY
20	BEARING	42	OUTPUT SHAFT
21	SEEGER	43	HEXAGONAL-HEAD SCREW
22	KEY	44	OUTPUT FLANGE



INSTALLATION

- The data shown on the identification name plate must correspond to the gearbox ordered.
- The oil level must correspond to the quantity foreseen for the assembly position requested (see catalogue).
- All of the other gearboxes are supplied complete with permanent synthetic oil in a quantity that is sufficient for any assembly position.
- The gearbox must be fixed on a flat surface that is sufficiently rigid in order to avoid any vibration.
- The gearbox and the axis of the machine to be driven must be perfectly aligned o in the event that knocks, overloading or blockage of the machine are foreseen, the client must install a limiting device, joints, overload cut-out etc.
- Coupling with pinions, joints, pulleys and other parts must be done after the parts have been cleaned and knocks should be avoided while assembling as they could damage the bearings and other internal parts.
- In the event that the motor is supplied by the client, he must check that the flange and shaft tolerances correspond to a "normal" class; our motors satisfy this requirement.
- Check that the fixing screws for the gear and the related accessories are correctly tightened.
- Take suitable measures to protect the groups from any aggressive atmospheric agents.
- Where foreseen, protect rotating parts from any possible contact with the operators.
- If the gears are painted, protect the oil seals and the machined surfaces gearboxes.
- All of the gears are painted RAL 9022 grey.

OPERATION AND RUNNING-IN

- To obtain the best performance the gearboxes must first be run-in by gradually increasing the power in the first few hours of operation, in this phase an increase in temperature is considered normal.
- In the event of defective operation, noise, oil leakage, etc. stop the gear immediately and, when possible, remove the cause. Alternatively, send the piece to our factory to be controlled.

MAINTENANCE

- The helical gearboxes are lubricated with permanent synthetic oil and therefore do not require any maintenance.

WAREHOUSE STORAGE

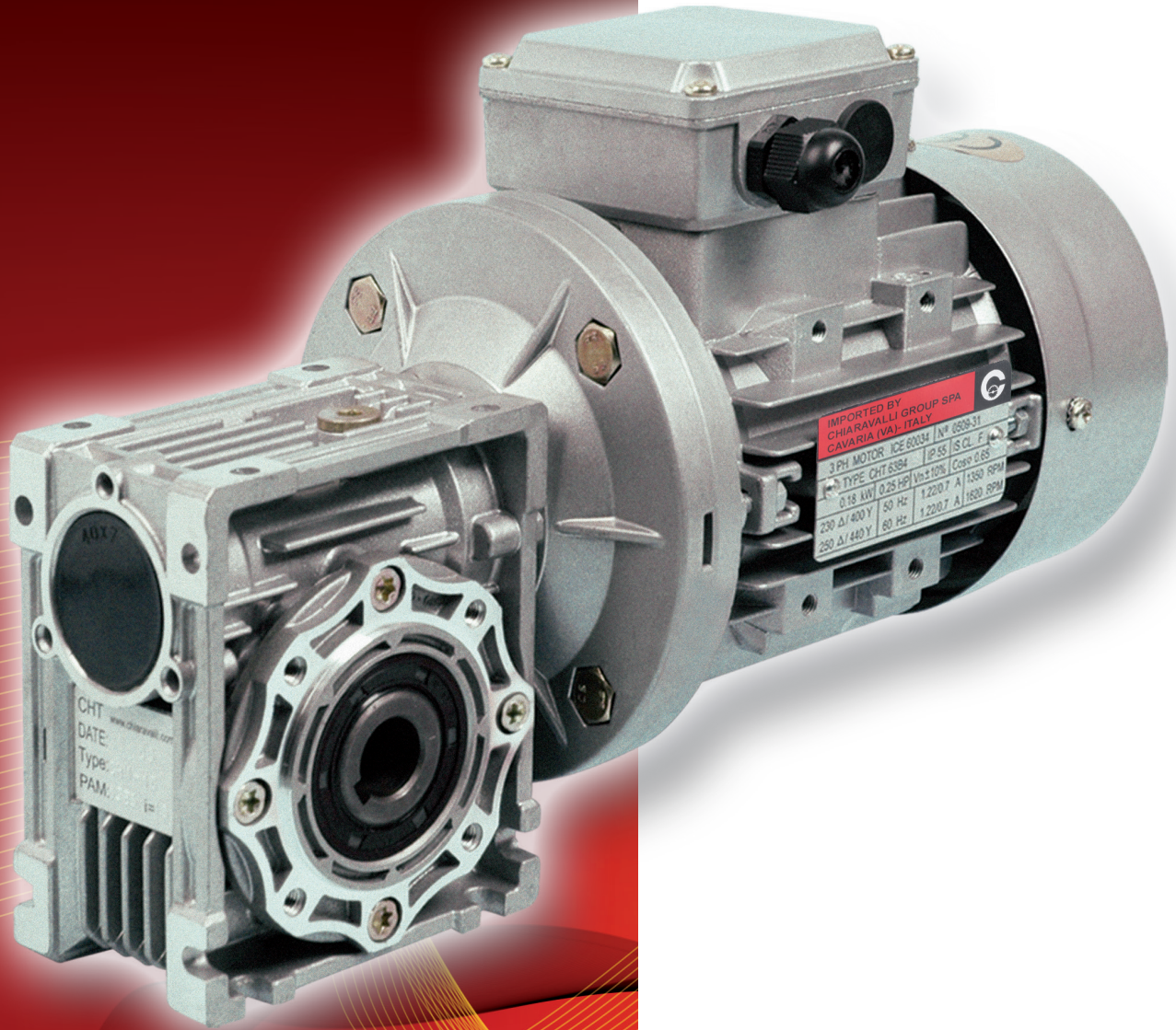
- If the warehouse storage will be for a long time, more than 3 months, the shafts and machined surfaces should be protected using antioxidants and the oil seals should be greased.

HANDLING

- Care must be taken not to damage the oil seals and the machined surfaces when handling the groups.

DISPOSAL OF PACKAGING

- The packaging in which our gears are delivered should be sent to specialised companies for recycling if possible.



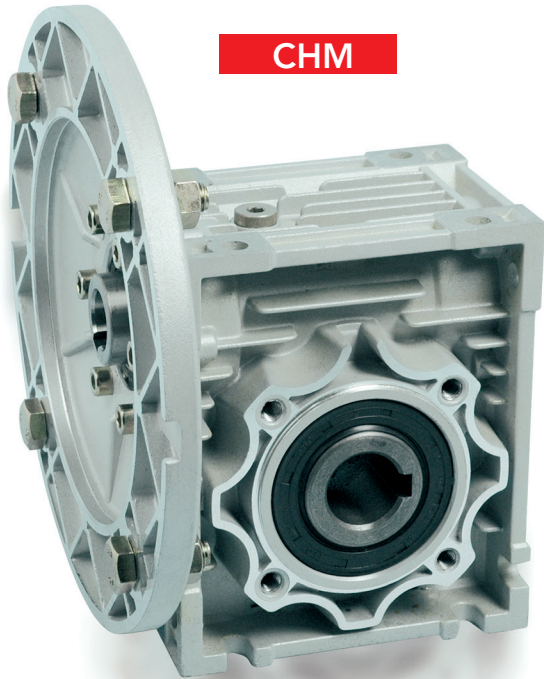
CHM WORM GEARED MOTORS AND WORM GEAR UNITS



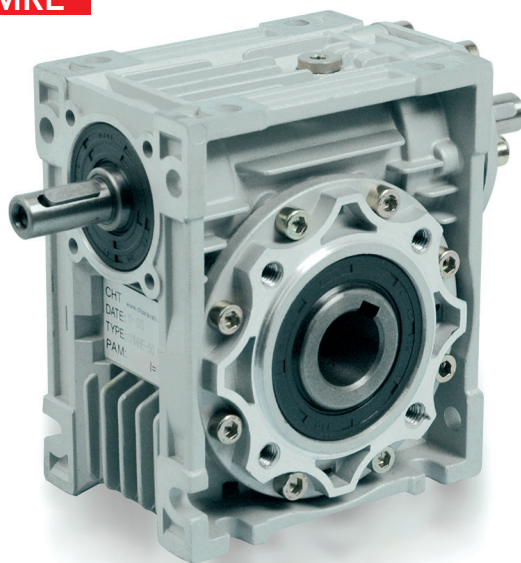
CHME



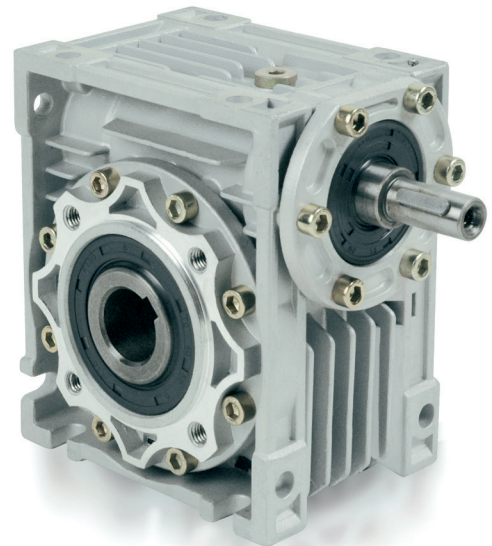
CHM



CHMRE



CHMR





INTRODUCTION

The worm gears made by Chiaravalli Group S.p.A. are square and are considerably versatile for mounting. The machining of the components, carried out using numeric control machines, guarantees maximum precision for the restricted tolerances, producing a product that will remain reliable over time.

The groups are constructed with aluminium casings from sizes 025 to 090, while the sizes 110, 130 and 150 are made from cast iron.

All of the bodies are painted with RAL 9022 aluminium colour to protect the parts from aging and to give better protection against microblowholes that may be present in the aluminium.

The gears are supplied with at least one filling plug that is also used during testing to check for possible leaks.

A connection flange allows two gears to be combined in order to obtain high gear ratios.

Four sizes of CHPC pre-stage gears are available to pair with the gears; these are also constructed in aluminium and are painted like the worm gears.

All of the groups are supplied with a lubricant whose characteristics are described in the following table.

LUBRICATION

	CHM 025/090	CHM 110/150			CHPC
Lubricant	Synthetic	Mineral	Mineral	Mineral	Synthetic
°C ambient	-25°C/+50°C	-25°C/+50°C	-5°C/+40°C	-15°C/+25°C	-25°C/+50°C
ISO	VG320	VG320	VG460	VG220	VG320
AGIP	TELIUM VSF 320	BLASIA 320	BLASIA 460	BLASIA 220	TELIUM VSF 320
SHELL	TIVELA OIL S 320	OMALA OIL 320	OMALA OIL 460	OMALA OIL 220	TIVELA OIL SC 320
IP	TELIUM VSF	MELLANA OIL 320	MELLANA OIL 460	MELLANA OIL 220	TELIUM VSF



LUBRICATION

The size 025 to 090 gears are supplied complete with synthetic oil and therefore do not require any maintenance.

The size 110, 130 and 150 gears are supplied with the quantity of mineral oil foreseen for the B3 assembly position. It is the client's responsibility to adapt the quantity of oil to the assembly position and in addition, to substitute the filling plug, supplied closed for transport reasons, with the one equipped with a hole attached to the gear.

If the breather plug is not installed it may create internal pressure with a consequent leakage of oil from the oil seals.

For the sizes 110, 130 and 150 we recommend that the oil is changed after the running in period, approx. 300 working hours.

2D and 3D drawings available on the web site www.chiaravalli.com

Quantity, availability and prices with Chiaravalli B2B



QUANTITY OF OIL IN LITRES

CHM	025	030	040	050	063	075	090	110	130	150	CHPC	63	71	80	90
B3	0.02	0.04	0.08	0.15	0.30	0.55	1	3	4.5	7		0.05	0.07	0.15	0.16
B8	0.02	0.04	0.08	0.15	0.30	0.55	1	1.4	1.7	5.1		0.05	0.07	0.15	0.16
B6/B7	0.02	0.04	0.08	0.15	0.30	0.55	1	2.2	3.3	5.4		0.05	0.07	0.15	0.16
V5	0.02	0.04	0.08	0.15	0.30	0.55	1	3	4.5	7		0.05	0.07	0.15	0.16
V6	0.02	0.04	0.08	0.15	0.30	0.55	1	2.2	3.3	5.1		0.05	0.07	0.15	0.16



MOTOR MOUNTING FLANGES

Gears that are supplied with mounting flanges must be assembled with motors whose shaft and flange tolerances correspond to a "normal class" of quality in order to avoid vibration and forcing of the input bearing. Motors supplied by Chiaravalli Group S.p.A. guarantee that this requirement is fulfilled.

For ease of consultation, the correspondence of the size of the B5 and B14 motor with the sizes of the shaft and the motor connection flange are shown in the following table.

Remember that, as the motor connection flanges are separate from the body it is also possible to have a shaft / flange combination that does not correspond to the table, e.g. 19/140, thereby offering adaptability for other non-unified models such as the brushless or direct current types.

MMF	056	063	071	080	090	100	112	132
B5	9/120	11/140	14/160	19/200	24/200	28/250	28/250	38/300
B14	9/80	11/90	14/105	19/120	24/140	28/160	28/160	38/200



CHM/CHMR/CHME/CHMRE DESIGNATION

TYPE (1)	SIZE (2)	VERSION (3)	FLANGE POS. (4)	i	M.M.F.	MOUNT. POS. (4)
CHM	025	FA	1	7.5	SEE FROM PAGE 31 TO 40	U UNIVERSALE
	030	FB	2	10		B3
CHMR	040	FC		15		B8
	050	FD		20		B6
CHME	063	FE		25		B7
CHMRE	075			30		V5
	090			40		V6
	110			50		
	130			60		
	150			80 100		



ORDER EXAMPLE

CHM	090	FA (5)	2 (5)	30	90 B14	V5
-----	-----	--------	-------	----	--------	----

If the motor is also required, please specify:

Size es. 90 L4
 Power es. Kw 1.5
 Poles es. 4
 Voltage es. V230/400
 Frequency es. 50 Hz
 Flange es. B14

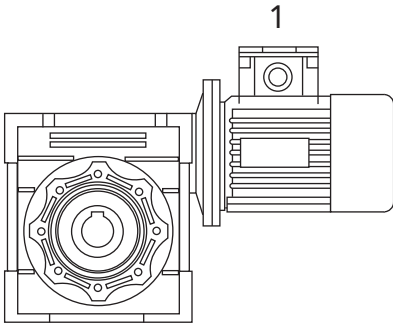
N.B. From size 25 to 63 the gears are always supplied in the Universal position and can therefore be mounted in any position, from size 75 to size 130 if the position required differs from B3 it must be specified.
 In particular, in the event that a gear in position B3 is to be mounted in positions V5 or V6, the bearing positioned in the upper side must be lubricated using suitable grease that ensures proper lubrication.
 We have tested TecnoLubeseal POLYMER 400/2 grease.

- 1) see page 26
- 2) see from page 31 to page 40
- 3) see from page 31 to page 40
- 4) see page 30
- 5) lack of instructions indicates that the gear is not equipped with an output flange.

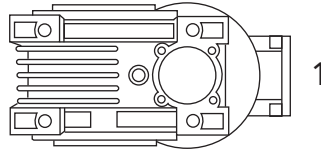


MOUNTING POSITION

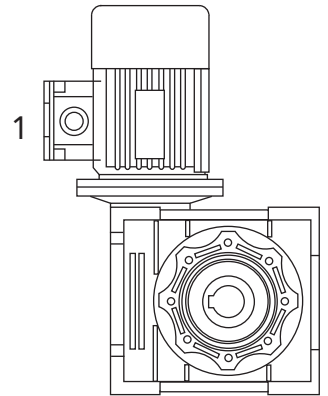
B3



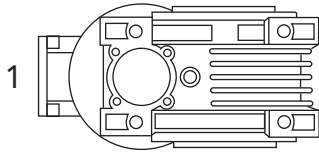
B6



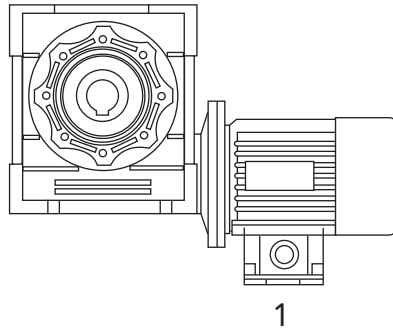
V5



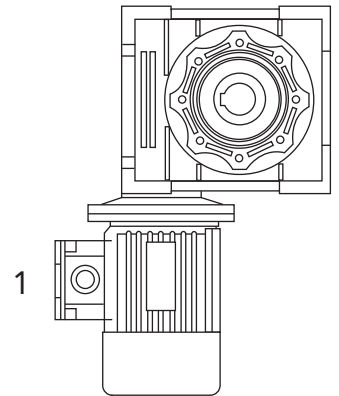
B7



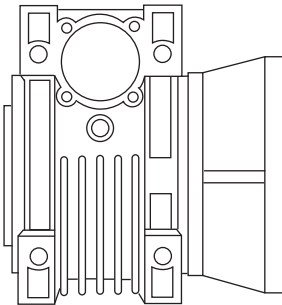
B8



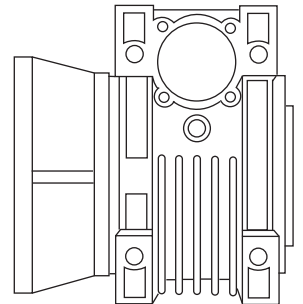
V6



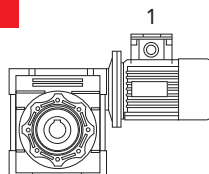
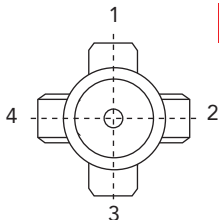
F..1



F..2



B3



TERMINAL BOX POSITION

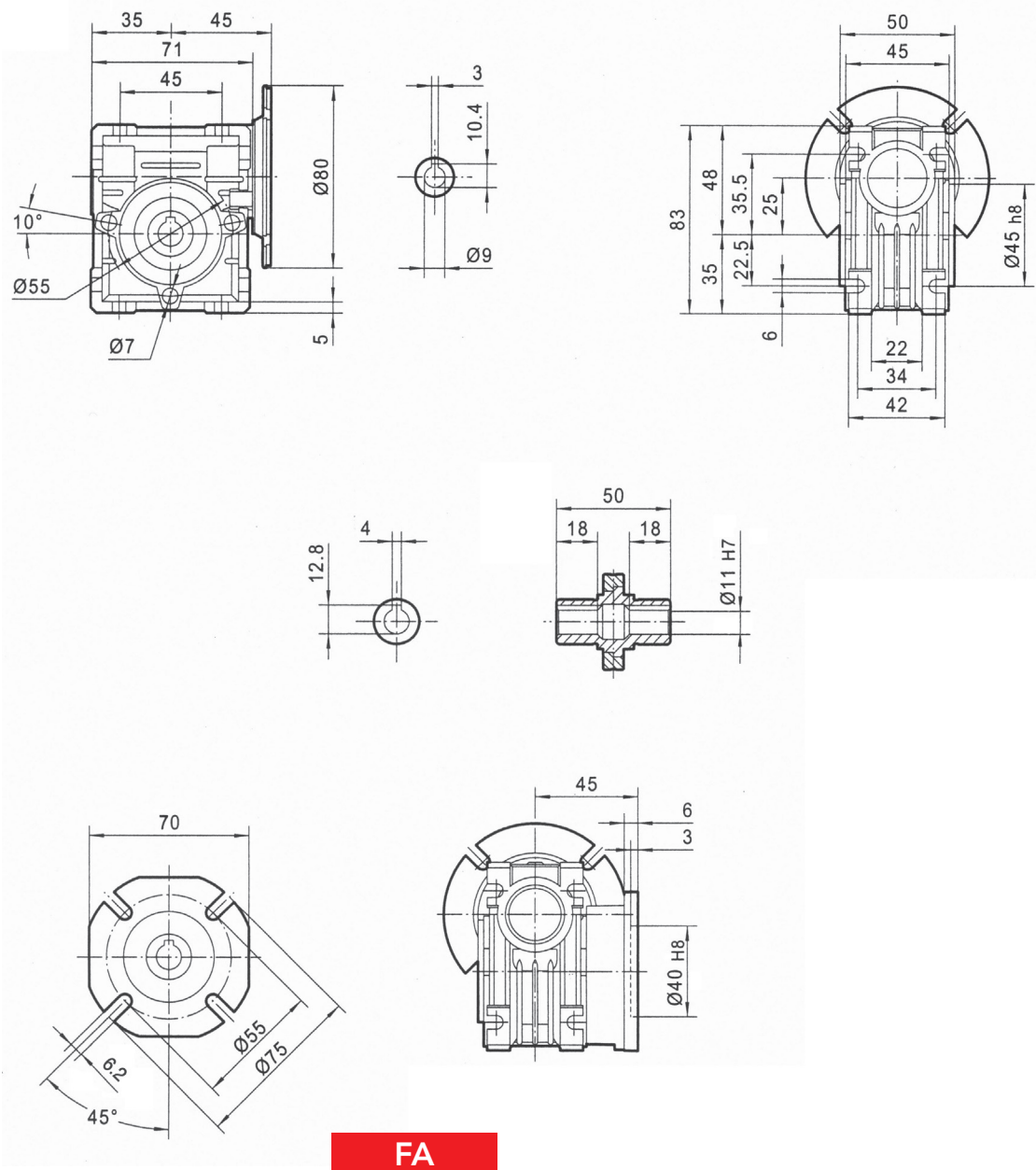
N.B. The position of the terminal box always refers to the B3 position.



CHM 025 - PERFORMANCE WITH 4-POLE MOTORS 1400 REVS. INPUT

TYPE	i=ratio	n2 r/min	Kw=P1	Nm=T2	f.s.	Possible types of motor connections	
CHM 025	7.5	186.7	0.09	3.8	2.8	56	B14
	10	140.0	0.09	5	2.4	56	B14
	15	93.3	0.09	7.2	1.6	56	B14
	20	70.0	0.09	9	1.3	56	B14
	25	56.0	0.09	10	1.0	56	B14
	30	46.7	0.09	12.3	1.1	56	B14
	40	35.0	0.09	13	1.0	56	B14
	50	28.0	0.09	14	0.7	56	B14
	60	23.3	0.09	14	0.6	56	B14

DIMENSIONS



Weight 0.7 Kg excluding motor

2D and 3D drawings available on the web site www.chiaravalli.com

Quantity, availability and prices with Chiaravalli B2B



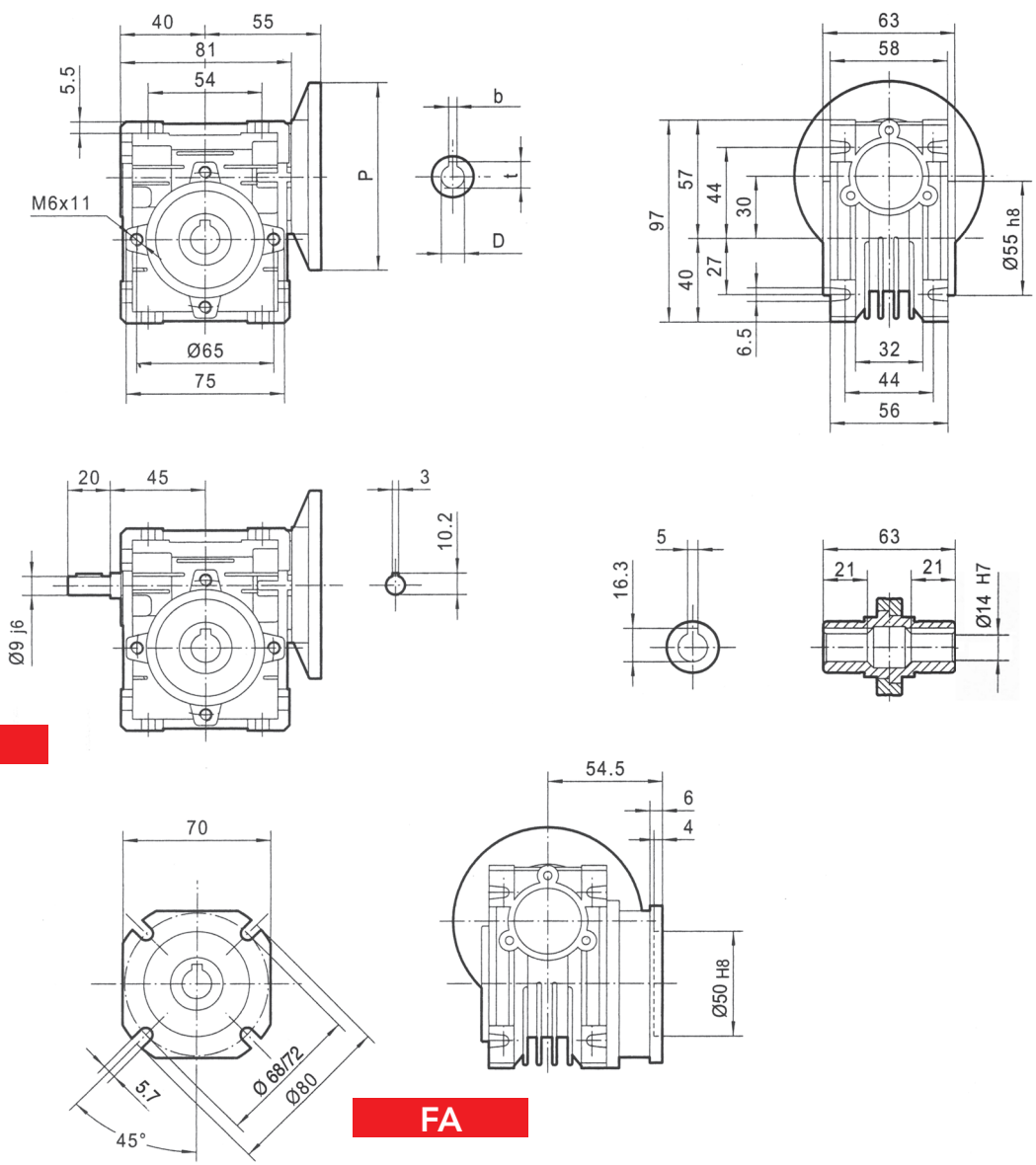
CHM 030 - PERFORMANCE WITH 4-POLE MOTORS 1400 REVS. INPUT

CHM 030

TYPE	i=ratio	n2 r/min	Kw=P1	Nm=T2	f.s.	Possible types of motor connections	
	7.5	186.7	0.22	9	2.1	63/56	B5/B14
	10	140.0	0.22	11	1.6	63/56	B5/B14
	15	93.3	0.22	16	1.0	63/56	B5/B14
	20	70.0	0.22	20	0.9	63/56	B5/B14
	25	56.0	0.18	20	1.0	63/56	B5/B14
	30	46.7	0.18	22	0.9	63/56	B5/B14
	40	35.0	0.18	21	0.8	63/56	B5/B14
	50	28.0	0.18	19	0.8	63/56	B5/B14
	60	23.3	0.09	18	0.9	56	B5/B14
	80	17.5	0.09	13	0.9	56	B5/B14

i = 5 ON REQUEST

DIMENSIONS



Weight 1.2 Kg excluding motor

PAM IEC	P	DE8	b	t	PAM IEC	P	DE8	b	t
63B5	140	11	4	12.8	63B14	90	11	4	12.8
56B5	120	9	3	10.4	56B14	80	9	3	10.4



CHM 040 - PERFORMANCE WITH 4-POLE MOTORS 1400 REVS. INPUT

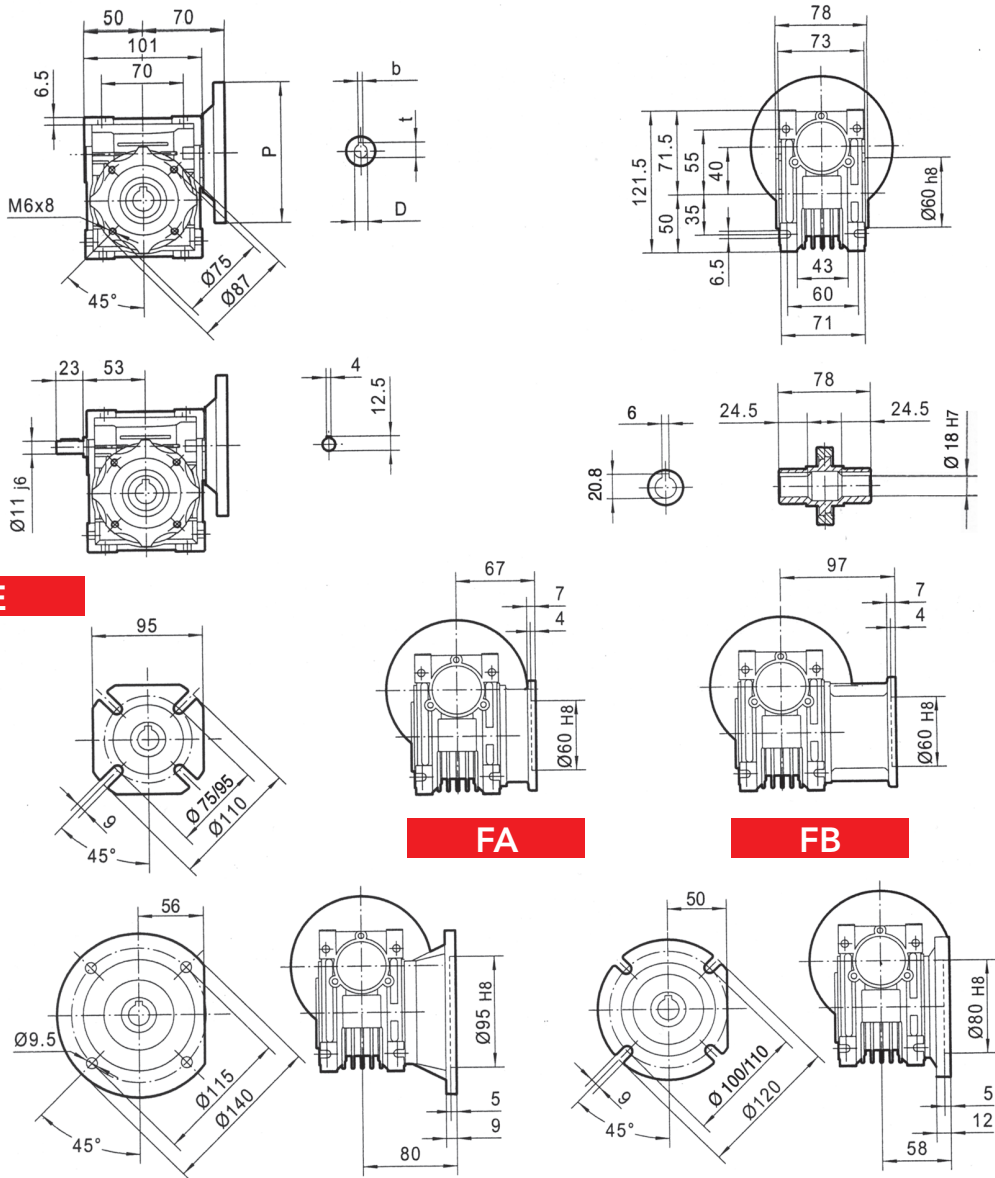
TYPE	i=ratio	n2 r/min	Kw=P1	Nm=T2	f.s.	Possible types of motor connections	
CHM 040	7.5	186.7	0.55**	22	1.6	71/63	B5/B14
	10	140.0	0.55**	30	1.4	71/63	B5/B14
	15	93.3	0.55**	44	0.9	71/63	B5/B14
	20	70.0	0.55**	38	1.0	71/63	B5/B14
	25	56.0	0.37	45	0.9	71/63	B5/B14
	30	46.7	0.37	52	0.8	71/63	B5/B14
	40	35.0	0.25	43	0.9	71/63	B5/B14
	50	28.0	0.22	44	0.9	63/56	B5/B14*
	60	23.3	0.18	42	0.8	63/56	B5/B14*
	80	17.5	0.18	36	0.8	63/56	B5/B14*
100	14.0	0.18	35	0.8	63/56	B5/B14*	

* 56 only B5

** Size 71 Motors

i = 5 ON REQUEST

DIMENSIONS



PAM IEC	P	DE8	b	t
71B5	160	14	5	16.3
63B5	140	11	4	12.8
56B5	120	9	3	10.4

PAM IEC	P	DE8	b	t
71B14	105	14	5	16.3
63B14	90	11	4	12.8

Weight 2.3 Kg excluding motor

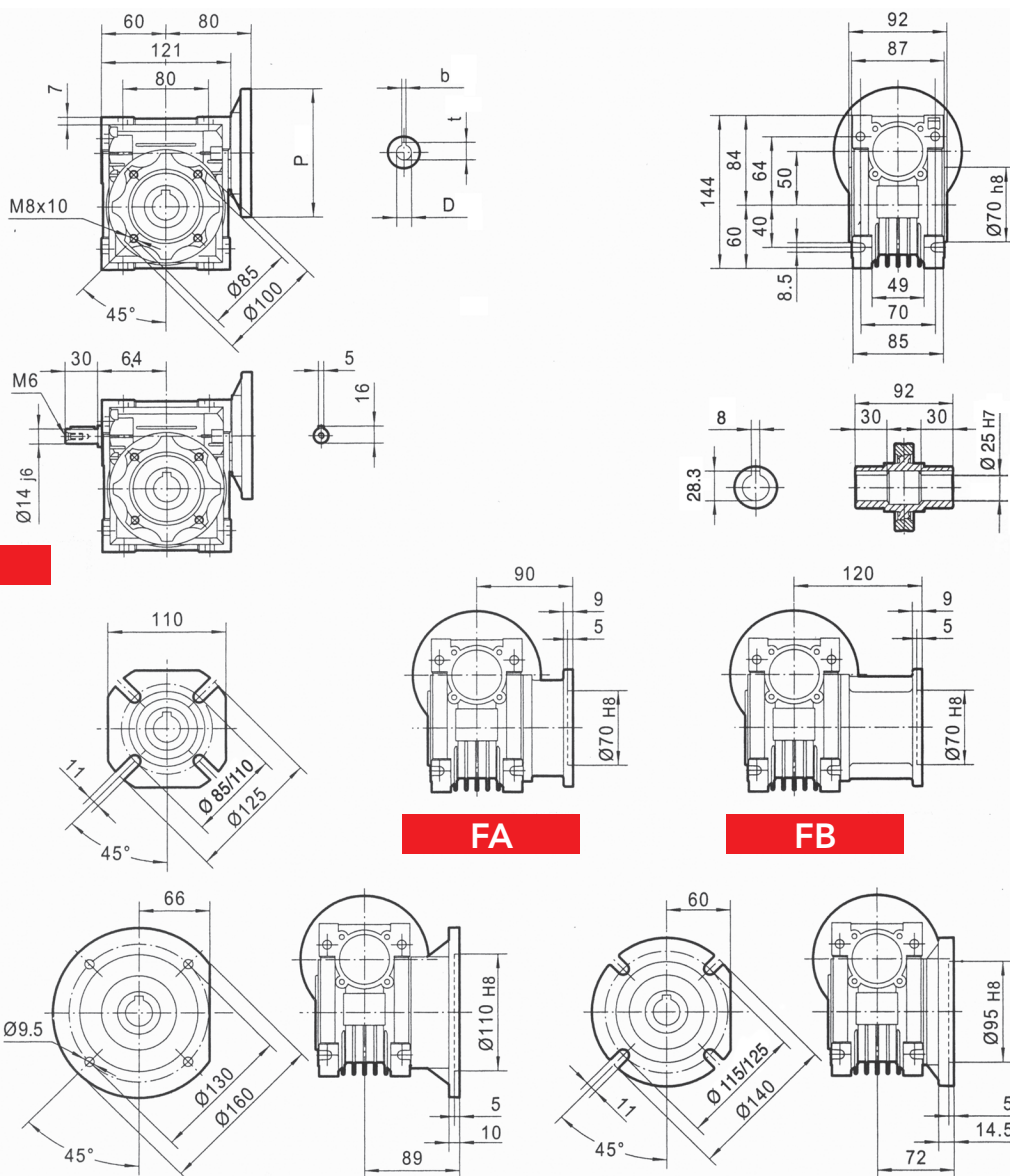


CHM 050 - PERFORMANCE WITH 4-POLE MOTORS 1400 REVS. INPUT

TYPE	i=ratio	n2 r/min	Kw=P1	Nm=T2	f.s.	Possible types of motor connections	
CHM 050	7.5	186.7	0.75	33.3	2.0	80/71	B5/B14
	10	140.0	0.75	43.9	1.6	80/71	B5/B14
	15	93.3	0.75	62.6	1.2	80/71	B5/B14
	20	70.0	0.75	80	0.9	80/71	B5/B14
	25	56.0	0.55	70	1.0	80/71	B5/B14
	30	46.7	0.55	80	1.0	80/71	B5/B14
	40	35.0	0.37	67	1.1	80/71/63	B5/B14*
	50	28.0	0.37	78	0.9	71/63	B5/B14*
	60	23.3	0.37	87	0.8	71/63	B5/B14*
	80	17.5	0.25	70	0.9	71/63	B5/B14*
100	14.0	0.18	59	0.9	71/63	B5/B14*	

* 63 only B5 i = 5 ON REQUEST

DIMENSIONS



	PAM IEC	P	DE8	b	t	PAM IEC	P	DE8	b	t
80B5		200	19	6	21.8	80B14	120	19	6	21.8
71B5		160	14	5	16.3	71B14	105	14	5	16.3
63B5		140	11	4	12.8					

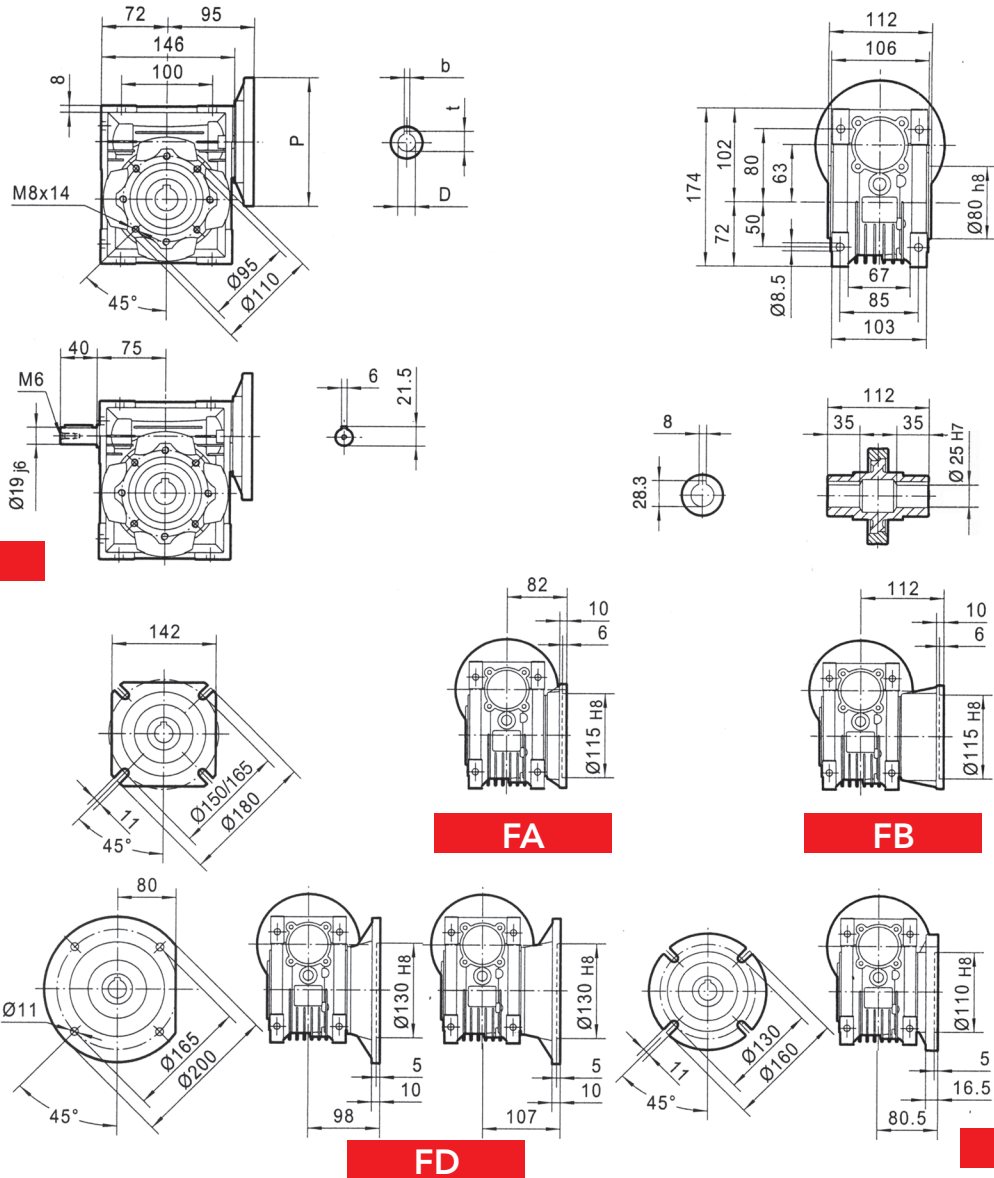
Weight 3.5 Kg excluding motor



CHM 063 - PERFORMANCE WITH 4-POLE MOTORS 1400 REVS. INPUT

TYPE	i=ratio	n2 r/min	Kw=P1	Nm=T2	f.s.	Possible types of motor connections	
CHM 063	7.5	186.7	1.50	67.4	1.8	90/80	B5/B14
	10	140.0	1.50	88.6	1.4	90/80	B5/B14
	15	93.3	1.50	126	1.19	90/80	B5/B14
	20	70.0	1.50	164	0.8	90/80	B5/B14
	25	56.0	1.10	145	0.9	90/80	B5/B14
	30	46.7	1.10	165	1.0	90/80	B5/B14
	40	35.0	0.75	143	1.0	80/71	B5/B14
	50	28.0	0.55	122	1.1	80/71	B5/B14
	60	23.3	0.55	138	0.9	80/71	B5/B14
	80	17.5	0.37	114	1.1	80/71	B5/B14
100	14.0	0.37	127	0.9	71	B5/B14	

DIMENSIONS



PAM IEC	P	DE8	b	t
90B5	200	24	8	27.3
80B5	200	19	6	21.8
71B5	160	14	5	16.3

PAM IEC	P	DE8	b	t
90B14	140	24	8	27.3
80B14	120	19	6	21.8
71B14	105	14	5	16.3

Weight 6.2 Kg excluding motor



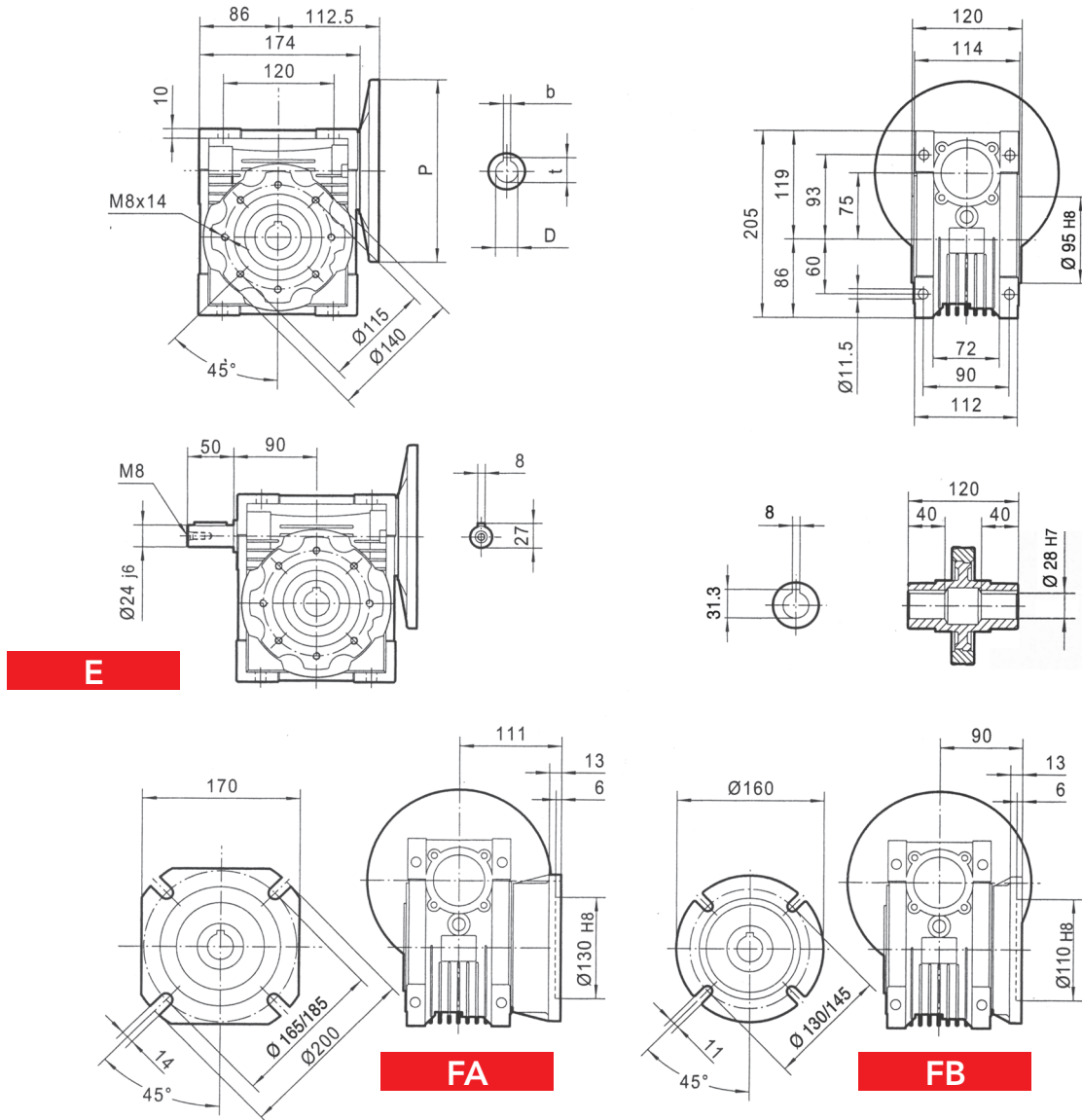
CHM 075 - PERFORMANCE WITH 4-POLE MOTORS 1400 REVS. INPUT

CHM 075

TYPE	i=ratio	n2 r/min	Kw=P1	Nm=T2	f.s.	Possible types of motor connections	
	7.5	186.7	4.00	180	1.0	100/90	B5/B14
	10	140.0	4.00	237	0.8	100/90	B5/B14
	15	93.3	3.00	260	0.8	100/90	B5/B14
	20	70.0	1.50	167	1.2	90/80	B5/B14
	25	56.0	1.50	204	1.0	90/80	B5/B14
	30	46.7	1.50	232	1.0	90/80	B5/B14
	40	35.0	1.10	214	1.0	90/80	B5/B14
	50	28.0	0.75	176	1.2	90/80/71	B5/B14*
	60	23.3	0.75	199	1.0	80/71	B5/B14*
	80	17.5	0.55	178	1.1	80/71	B5/B14*
	100	14.0	0.55	203	0.9	80/71	B5/B14*

* 71 only B5

DIMENSIONS



Weight 9 Kg excluding motor

PAM IEC	P	DE8	b	t
100/112B5	250	28	8	31.3
90B5	200	24	8	27.3
80B5	200	19	6	21.8
71B5	160	14	5	16.3

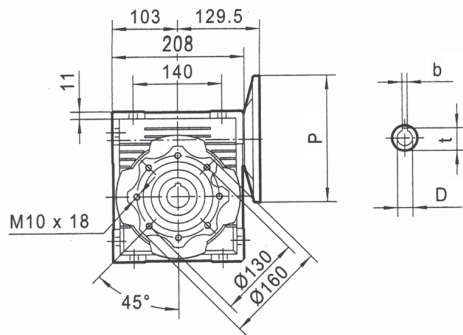
PAM IEC	P	DE8	b	t
100/112B14	160	28	8	31.3
90B14	140	24	8	27.3
80B14	120	19	6	21.8



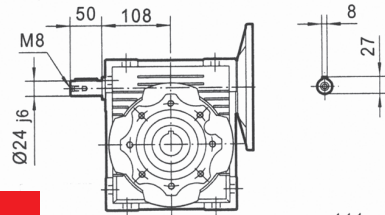
CHM 090 - PERFORMANCE WITH 4-POLE MOTORS 1400 REVS. INPUT

TYPE	i=ratio	n2 r/min	Kw=P1	Nm=T2	f.s.	Possible types of motor connections	
CHM 090	7.5	186.7	4.00	184	1.5	100/90	B5/B14
	10	140.0	4.00	242	1.3	100/90	B5/B14
	15	93.3	4.00	351	1.1	100/90	B5/B14
	20	70.0	4.00	456	0.8	100/90	B5/B14
	25	56.0	3.00	417	0.8	100/90	B5/B14
	30	46.7	3.00	478	0.9	100/90	B5/B14
	40	35.0	1.50	306	1.2	90/80	B5/B14
	50	28.0	1.50	367	1.0	90/80	B5/B14
	60	23.3	1.50	421	0.8	90/80	B5/B14
	80	17.5	0.75	257	1.1	80	B5/B14
	100	14.0	0.75	300	0.9	80	B5/B14

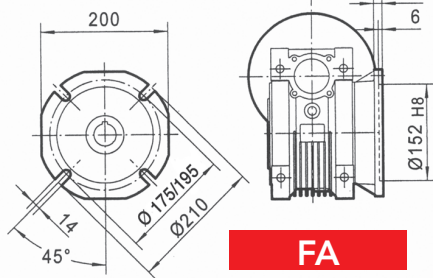
DIMENSIONS



E

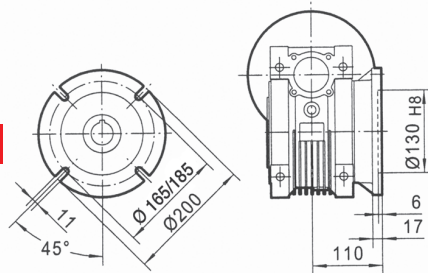


FA



FB

FC



FD

PAM IEC	P	D _{E8}	b	t	PAM IEC	P	D _{E8}	b	t
100/112B5	250	28	8	31.3	100/112B14	160	28	8	31.3
90B5	200	24	8	27.3	90B14	140	24	8	27.3
80B5	200	19	6	21.8	80B14	120	19	6	21.8

Weight 13 Kg excluding motor

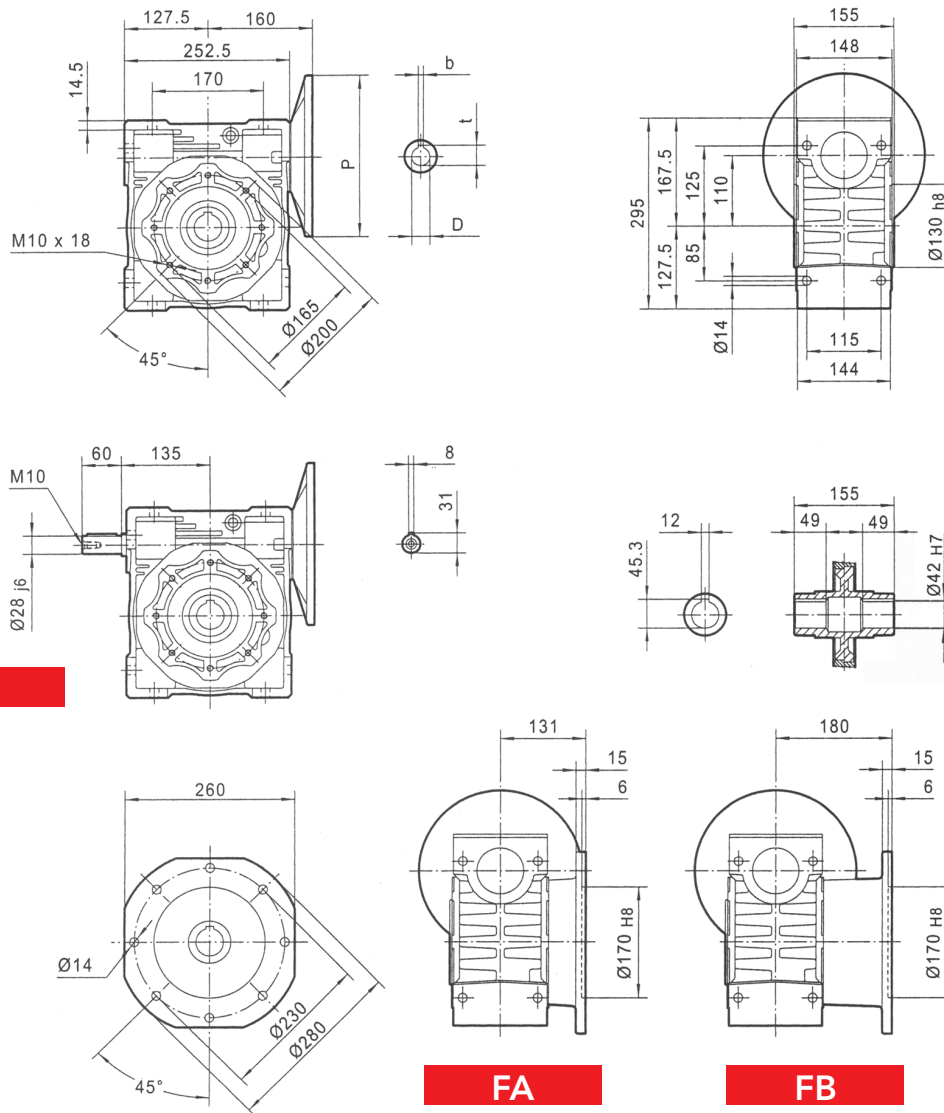


CHM 110 - PERFORMANCE WITH 4-POLE MOTORS 1400 REVS. INPUT

TYPE	i=ratio	n2 r/min	Kw=P1	Nm=T2	f.s.	Possible types of motor connections	
CHM 110	7.5	186.7	7.50	344	1.6	132/112/100	B5/B14
	10	140.0	7.50	453	1.3	132/112/100	B5/B14
	15	93.3	7.50	659	1.0	132/112/100	B5/B14
	20	70.0	5.50	635	1.0	132/112/100	B5/B14
	25	56.0	4.00	573	1.2	112/100	B5/B14
	30	46.7	4.00	645	1.1	112/100	B5/B14
	40	35.0	3.00	636	1.1	112/100/90	B5/B14*
	50	28.0	3.00	764	0.9	112/100/90	B5/B14*
	60	23.3	2.20	645	1.0	112/100/90	B5/B14*
	80	17.5	1.50	546	0.9	90	B5/B14*
100	14.0	1.10	470	1.0	90	B5/B14*	

* 90 only B5

DIMENSIONS



Weight 35 Kg excluding motor

PAM IEC	P	DE8	b	t
132B5	300	38	10	41.3
112B5	250	28	8	31.3
100B5	250	28	8	31.3
90B5	200	24	8	27.3
80B5	200	19	6	21.8

PAM IEC	P	DE8	b	t
132B14	200	38	10	41.3
112B14	160	28	8	31.3
100B14	160	28	8	31.3

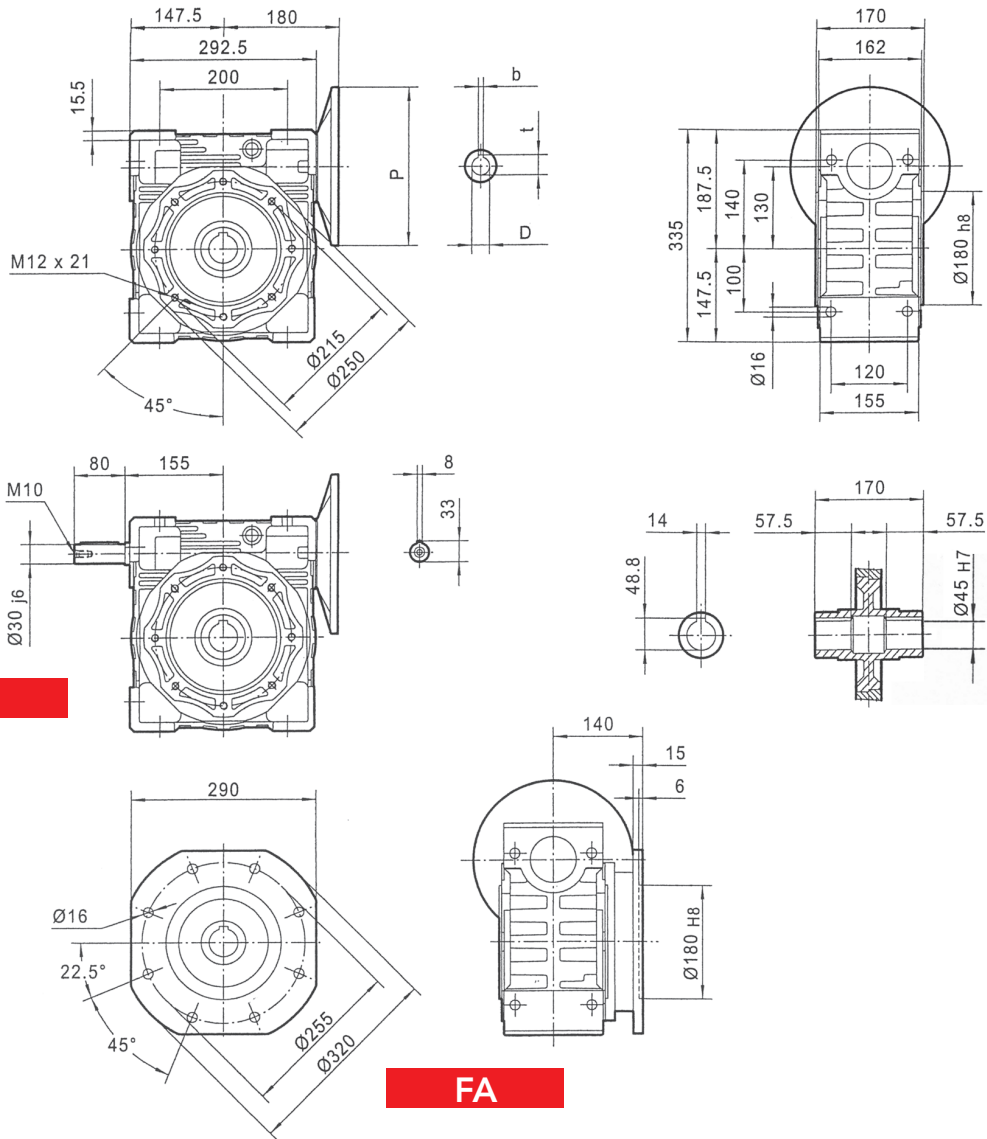


CHM 130 - PERFORMANCE WITH 4-POLE MOTORS 1400 REVS. INPUT

TYPE	i=ratio	n2 r/min	Kw=P1	Nm=T2	f.s.	Possible types of motor connections	
CHM 130	7.5	186.7	7.50	348	2.2	132	B5/B14
	10	140.0	7.50	455	1.8	132	B5/B14
	15	93.3	7.50	660	1.2	132	B5/B14
	20	70.0	7.50	877	1.0	132	B5/B14
	25	56.0	7.50	1071	0.9	132	B5/B14
	30	46.7	7.50	1225	0.8	132/112/100	B5/B14
	40	35.0	5.50	1173	0.9	132/112/100	B5/B14
	50	28.0	4.00	1023	0.9	100	B5/B14
	60	23.3	3.00	886	1.1	100	B5/B14
	80	17.5	3.00	1112	0.8	100/90	B5/B14*
100	14.0	1.50	652	1.1	100/90	B5/B14*	

* 90 only B5

DIMENSIONS



PAM IEC	P	D _{E8}	b	t	PAM IEC	P	D _{E8}	b	t
132B5	300	38	10	41.3	132B14	200	38	10	41.3
112B5	250	28	8	31.3	112B14	160	28	8	31.3
100B5	250	28	8	31.3	100B14	160	28	8	31.3
90B5	200	24	8	27.3					

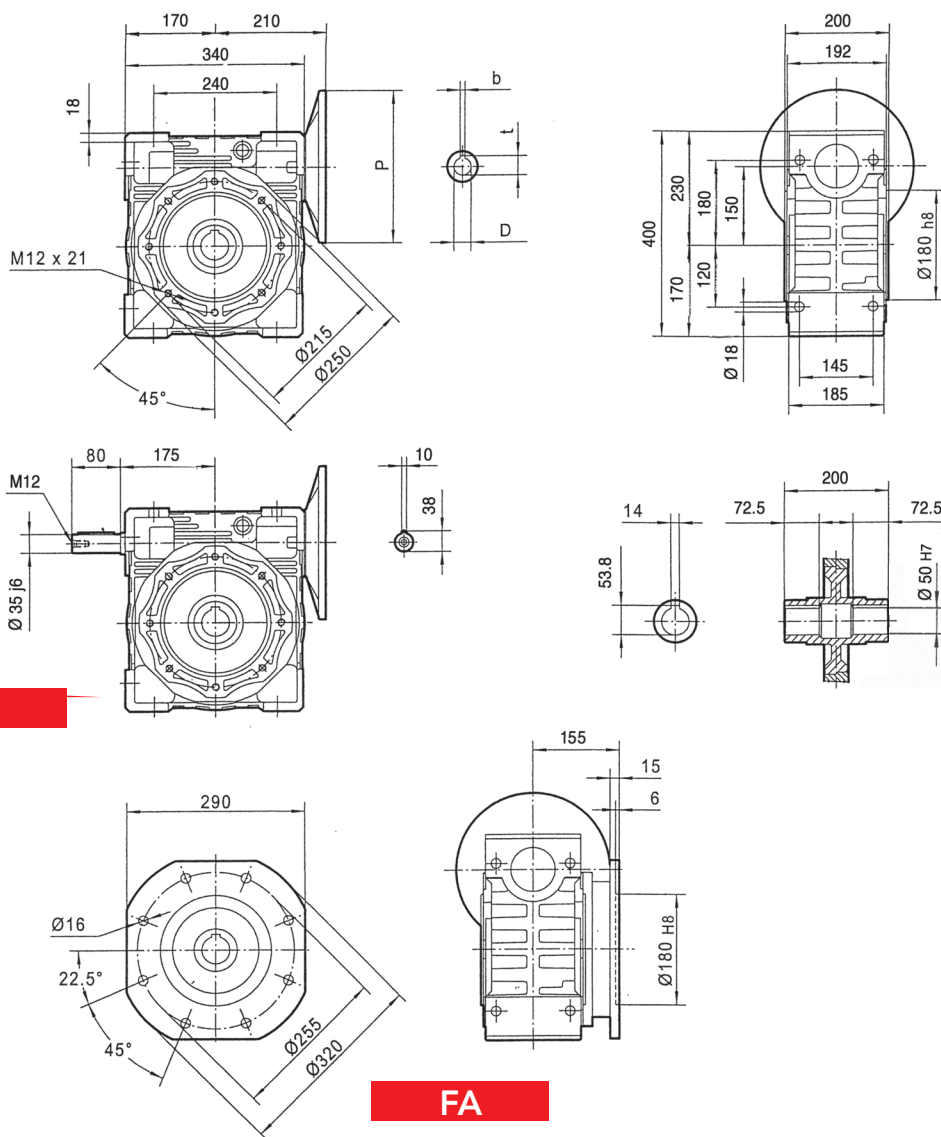
Weight 48 Kg excluding motor



CHM 150 - PERFORMANCE WITH 4-POLE MOTORS 1400 REVS. INPUT

TYPE	i=ratio	n2 r/min	Kw=P1	Nm=T2	f.s.	Possible types of motor connections	
CHM 150	7.5	186.7	15	680	1.6	160	B5
	10	140.0	15	905	1.2	160	B5
	15	93.3	15	1310	0.9	160	B5
	20	70.0	11	1270	1.0	160	B5
	25	56.0	11	1520	0.8	160	B5
	30	46.7	7.50	1240	0.8	132	B5
	40	35.0	7.50	1560	0.9	132	B5
	50	28.0	5.50	1405	0.9	132	B5
	60	23.3	5.50	1610	0.8	132	B5
	80	17.5	4	1430	0.8	112/100	B5
100	14.0	3	1300	0.8	112/100	B5	

DIMENSIONS

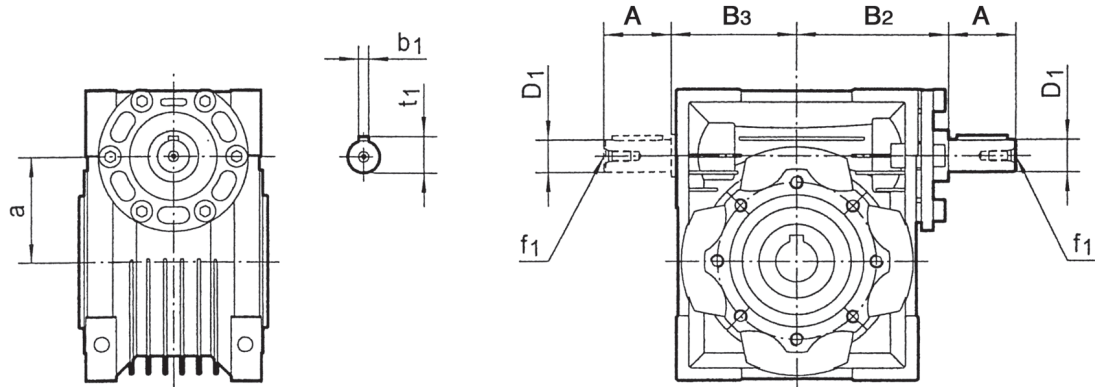


Weight 84 Kg excluding motor

PAM IEC	P	DE8	b	t
160B5	350	42	12	45.3
132B5	300	38	10	41.3
112B5	250	28	8	31.3
100B5	250	28	8	31.3



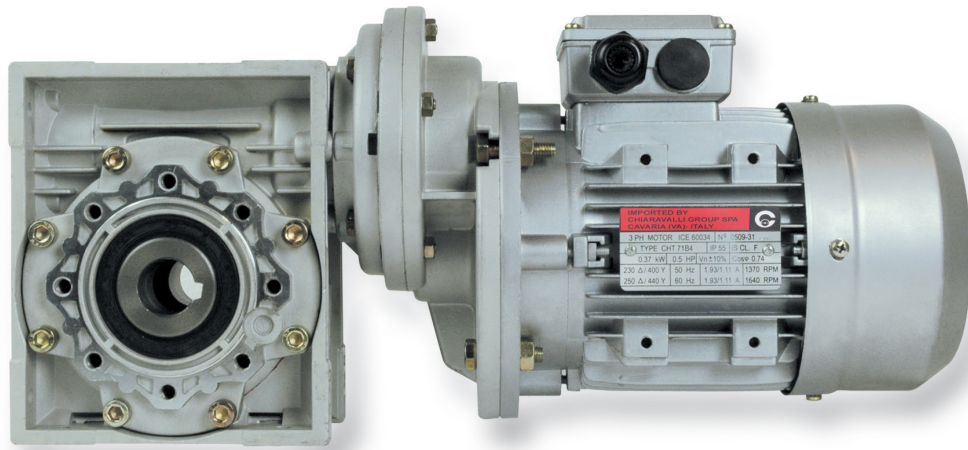
CHMR	030	040	050	063	075	090	110	130	150
A	20	23	30	40	50	50	60	80	80
D1 j6	9	11	14	19	24	24	28	30	35
B2	51	60	74	90	105	125	142	162	195
B3	45	53	64	75	90	108	135	155	175
a	30	40	50	63	75	90	110	130	150
b1	3	4	5	6	8	8	8	8	10
f1	-	-	M6	M6	M8	M8	M10	M10	M12
t1	10.2	12.5	16	21.5	27	27	31	33	38



For the missing dimensions, please refer to the CHM correspondent



CHPC/CHM - WORM GEAR WITH PRE-STAGE MODULE



DESIGNATION CHPC/CHM - CHME

TYPE	SIZE	i =	M.M.F.	MOUNT. POS
CHPC	63	3	63B5	If supplied coupled with CHM or CHME types specify the position of these, when the pre-stage module is supplied by itself it is prepared for universal assembly.
	71	3	71B5	
	80	3	80B5	
	90	2.45	90B5	

ORDER EXAMPLE FOR A CHPC COUPLED TO A CHM OR CHME GEAR

CHPC	90	CHM	110	i=245 (2.45x100)	M.M.F.	90B5	POS. B3
------	----	-----	-----	------------------	--------	------	---------

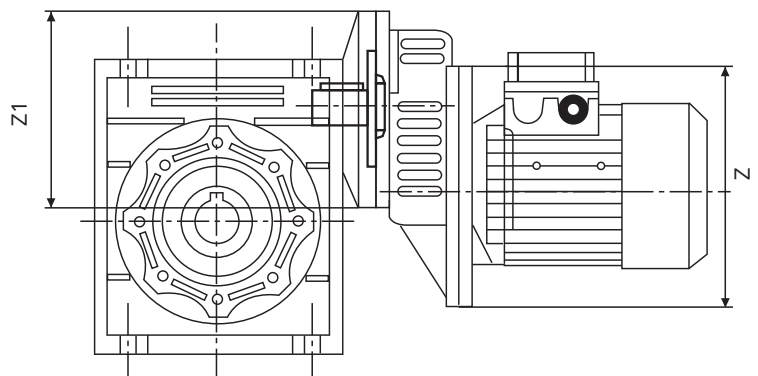
If the motor is also required, please specify:

Size es. 90 L4
 Power es. Kw 1.5
 Poles es. 4
 Voltage es. V230/400
 Frequency es. 50 Hz
 Flange es. B5

N.B. From size 25 to 63 the gears are always supplied in the Universal position and can therefore be mounted in any position, from size 75 to size 130 if the position required differs from B3 it must be specified.
 In particular, in the event that a gear in position B3 is to be mounted in positions V5 or V6, the bearing positioned in the upper side must be lubricated using suitable grease that ensures proper lubrication.
 We have tested TecnoLubeseal POLYMER 400/2 grease.

	Z	Z1
CHPC 63	11/140	11/105
CHPC 71	14/160	14/120
CHPC 80	19/200	19/160
CHPC 90	24/200	24/160

ATTENZIONE: The gearbox connected with the pre-stage must have input dimension Z1





CHPC/CHM - PERFORMANCE WITH 4-POLE MOTORS 1400 REVS. INPUT

TYPE	i=ratio	n2 r/min	Kw=P1	Nm=T2
	90	15.6	0.18	61
	120	11.7	0.18	52
CHPC63	150	9.3	0.18	46
CHM040	180	7.8	0.18	46
	240	5.8	0.18	40
	300	4.7	0.18	36

TYPE	i=ratio	n2 r/min	Kw=P1	Nm=T2
	90	15.6	0.37	153
	120	11.7	0.37	190
CHPC71	150	9.3	0.37	220
CHM075	180	7.8	0.37	236
	180	7.8	0.25	159
	240	5.8	0.25	208
	300	4.7	0.25	210

TYPE	i=ratio	n2 r/min	Kw=P1	Nm=T2
	90	15.6	0.18	69
	120	11.7	0.18	85
CHPC63	150	9.3	0.18	89
CHM050	180	7.8	0.18	88
	240	5.8	0.18	76
	300	4.7	0.18	65

TYPE	i=ratio	n2 r/min	Kw=P1	Nm=T2
	90	15.6	0.75	307
	120	11.7	0.55	278
CHPC80	150	9.3	0.55	260
CHM075				

TYPE	i=ratio	n2 r/min	Kw=P1	Nm=T2
	90	15.6	0.25	97
CHPC71	120	11.7	0.25	110
CHM050	150	9.3	0.25	112

TYPE	i=ratio	n2 r/min	Kw=P1	Nm=T2
	180	7.8	0.37	260
CHPC71	240	5.8	0.37	320
CHM090	300	4.7	0.37	345

TYPE	i=ratio	n2 r/min	Kw=P1	Nm=T2
	150	9.3	0.18	101
CHPC63	180	7.8	0.18	115
CHM063	240	5.8	0.18	136
	300	4.7	0.18	121

TYPE	i=ratio	n2 r/min	Kw=P1	Nm=T2
	90	15.6	0.75	320
CHPC80	120	11.7	0.75	397
CHM090	150	9.3	0.75	426
	180	7.8	0.75	425
	240	5.8	0.55	374

TYPE	i=ratio	n2 r/min	Kw=P1	Nm=T2
	90	15.6	0.37	145
	90	15.6	0.25	98
CHPC71	120	11.7	0.37	184
CHM063	120	11.7	0.25	124
	150	9.3	0.37	192
	150	9.3	0.25	129
	180	7.8	0.25	164
	240	5.8	0.25	139
	300	4.7	0.25	128

TYPE	i=ratio	n2 r/min	Kw=P1	Nm=T2
	120	11.7	0.75	421
CHPC80	150	9.3	0.75	496
CHM110	180	7.8	0.75	569
	240	5.8	0.75	617
	300	4.7	0.55	585

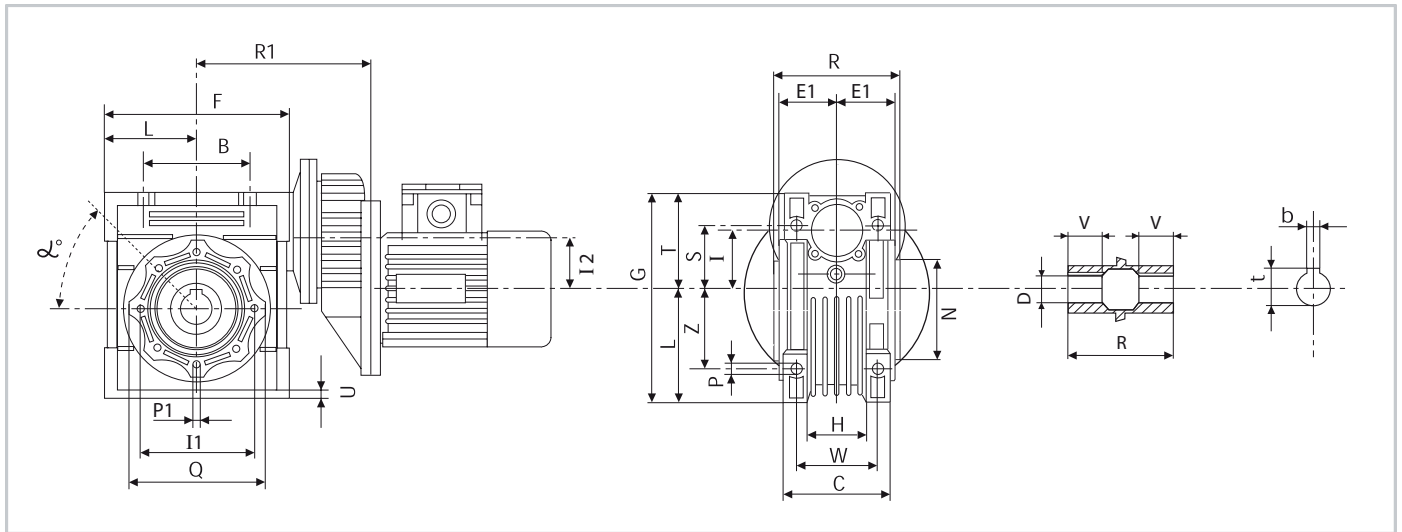
TYPE	i=ratio	n2 r/min	Kw=P1	Nm=T2
	98	14.3	1.50	679
CHPC90	122.5	11.4	1.50	801
CHM110	147	9.5	1.50	810
	147	9.5	1.10	595
	196	7.1	1.10	660

TYPE	i=ratio	n2 r/min	Kw=P1	Nm=T2
	98	14.3	1.50	679
CHPC90	122.5	11.4	1.50	813
CHM130	147	9.5	1.50	917
	196	7.1	1.50	1013
	245	5.7	1.10	848

The choice of power installed is tied to the unification of the motors, therefore it is sometimes in exuberance compared to the gear; always verify the maximum torque indicated when making the selection and if in doubt please contact our technical office.



CHPC/CHM - DIMENSIONS



CHPC CHM	B	F	D(H7)	G	H	R1	R	L	I	I2	C	I1	N(h8)	E1	P	Q	S	T
63+040	70	100	18	121.5	43	117	78	50	40	40	71	75	60	36.5	6.5	87	55	71.5
63+050	80	120	25	144	49	127	92	60	50	40	85	85	70	43.5	8.5	100	64	84
71+050	80	120	25	144	49	135	92	60	50	50	85	85	70	43.5	8.5	100	64	84
63+063	100	144	25	174	67	142	112	72	63	40	103	95	80	53	8.5	110	80	102
71+063	100	144	25	174	67	150	112	72	63	50	103	95	80	53	8.5	110	80	102
71+075	120	172	28	205	72	167,5	120	86	75	50	112	115	95	57	11	140	93	119
80+075	120	172	28	205	72	187,5	120	86	75	63	112	115	95	57	11	140	93	119
71+090	140	208	35	238	74	184,5	140	103	90	50	130	130	110	67	13	160	102	135
80+090	140	208	35	238	74	204,5	140	103	90	63	130	130	110	67	13	160	102	135
80(90)+110	170	252.5	42	295	-	235	155	127.5	110	63	144	165	130	74	14	200	125	167.5
80(90)+130	200	292.5	45	335	-	255	170	147.5	130	63	155	215	180	81	16	250	140	187.5

CHPC CHM	U	V	Z	W	P1	α	b	t	Weight in kg. excluding motor
63+040	6.5	26	35	60	M6x8n.4	45°	6	20.8	3.9
63+050	7	30	40	70	M8x10n.4	45°	8	28.3	5.2
71+050	7	30	40	70	M8x10n.4	45°	8	28.3	5.8
63+063	8	36	50	85	M8x14n.8	45°	8	28.3	7.9
71+063	8	36	50	85	M8x14n.8	45°	8	28.3	8.5
71+075	10	40	60	90	M8x14n.8	45°	8	31.3	11
80+075	10	40	60	90	M8x14n.8	45°	8	31.3	12.6
71+090	11	45	70	100	M10x18n.8	45°	10	38.3	14.3
80+090	11	45	70	100	M10x18n.8	45°	10	38.3	16.2
80(90)+110	14	50	85	115	M10x18n.8	45°	12	45.3	39
80(90)+130	15	60	100	120	M12x21n.8	45°	14	48.8	67.2

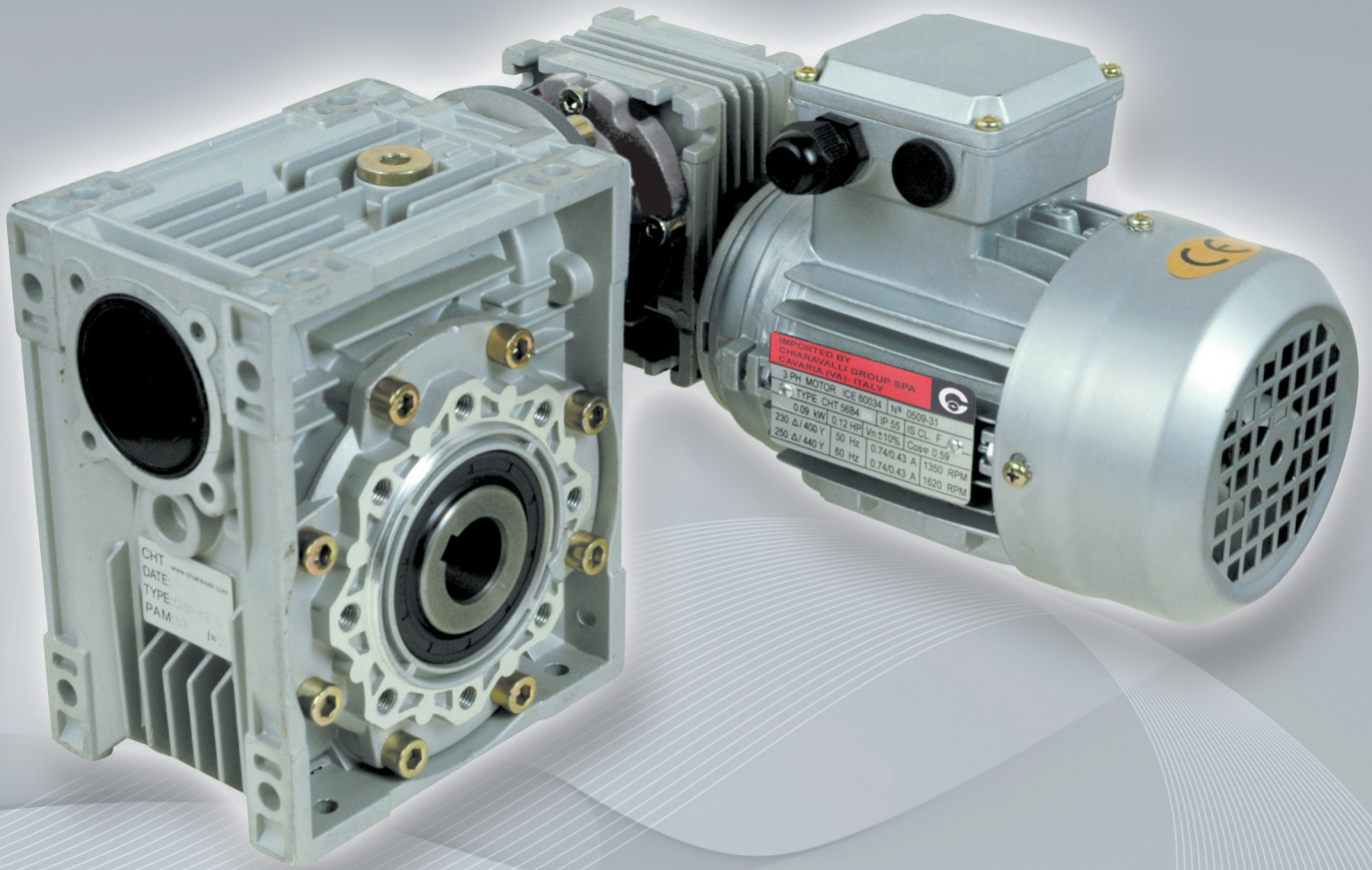
N.B. For the side flange and double extended input worm dimensions see the corresponding size of the CHM series. See pages 34 and 35.

2D and 3D drawings available on the web site www.chiaravalli.com

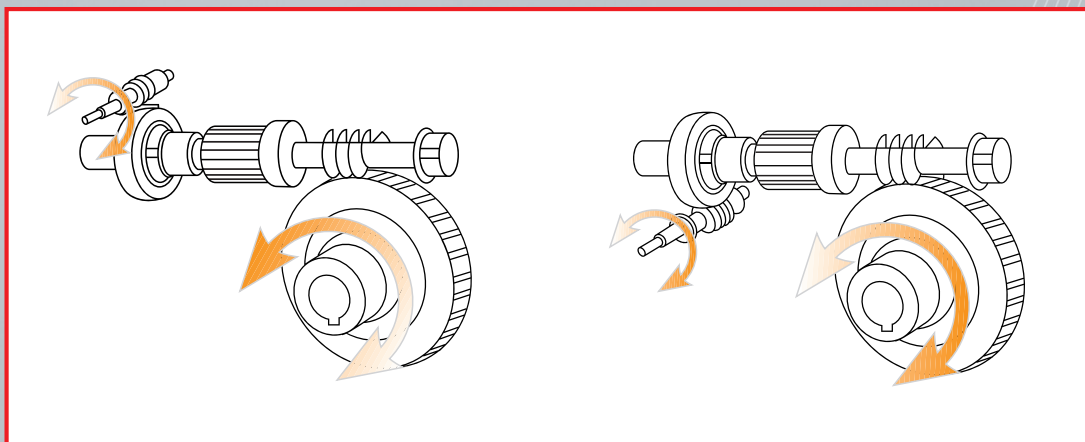
Quantity, availability and prices with Chiaravalli B2B



CHM/CHM-CHME - CHMR/CHM-CHME DOUBLE WORM GEAR



DIRECTION OF ROTATION





CHM/CHMR/CHME/CHMRE DESIGNATION

TYPE	SIZE (1)	VERSION (2)	FLANGE POS. (3)	i	EXEC. (4)	M.M.F.	MOUNT. POS. (3)
CHM/CHM	025/030	FA	1	300	OAD		U
CHM/CHME	030/040	FB	2	400	OAS		B3
CHMR/CHM	030/050	FC		500	OBD		B8
CHMR/CHME	030/063	FD		600	OBS	SEE FROM PAGE 31 TO PAGE 35	B6
	040/075	FE		750	VAD		B7
	040/090			900	VAS		V5
	050/110			1200	VBD		V6
	063/130			1500	VBS		
				1800			
				2400			

For the motor mounting flanges (M.M.F.) see the table showing the types available. For the executions see the table with drawings, if not specified OBS would be supplied. The mounting position refers to the second gear.



ORDER EXAMPLE

CHM/CHM	040/090	FA(5)	2(5)	500	OAD	63 B14	V5
---------	---------	-------	------	-----	-----	--------	----

If the motor is also required, please specify:

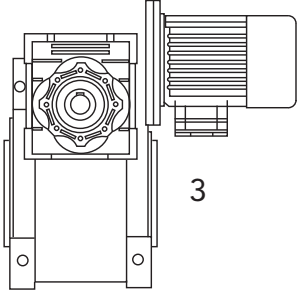
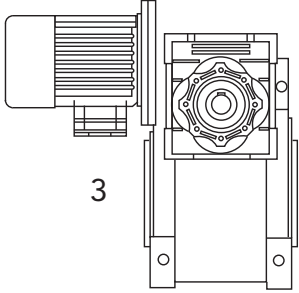
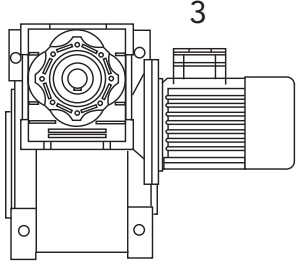
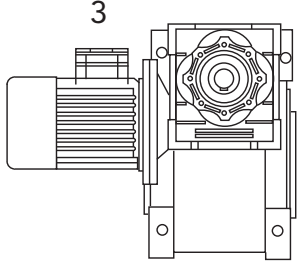
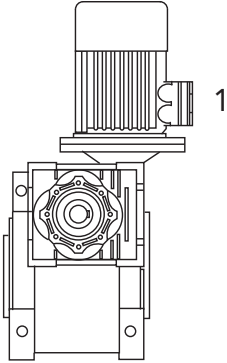
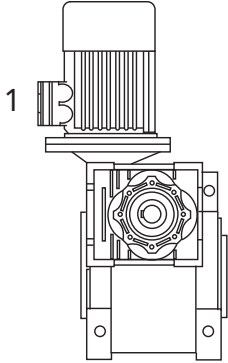
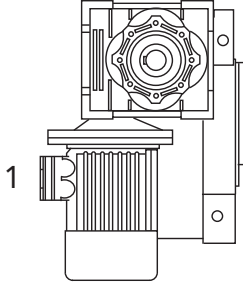
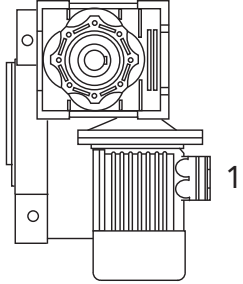
Size	es. 63 B4
Power	es. Kw 0.18
Poles	es. 4
Voltage	es. V230/400
Frequency	es. 50 Hz
Flange	es. B14

N.B. From size 25 to 63 the gears are always supplied in the Universal position and can therefore be mounted in any position, from size 75 to size 130 if the position required differs from B3 it must be specified. In particular, in the event that a gear in position B3 is to be mounted in positions V5 or V6, the bearing positioned in the upper side must be lubricated using suitable grease that ensures proper lubrication. We have tested Tecnolubeseal POLYMER 400/2 grease.

- 1) see page 48
- 2) see from page 31 to page 40
- 3) see page 30
- 4) see page 47
- 5) lack of instructions indicates that the gear is not equipped with an output flange.

2D and 3D drawings available on the web site www.chiaravalli.com
Quantity, availability and prices with Chiaravalli B2B



 <p>OAD</p>	 <p>OAS</p>
 <p>OBD</p>	 <p>OBS</p>
 <p>VAD</p>	 <p>VAS</p>
 <p>VBS</p>	 <p>VBD</p>

The execution determines the mounting position of the first gear in relation to the second gear. If not otherwise specified at the time of order, the group will be supplied in the OBS execution. The placing position refers to the second gear.



CHM/CHM - PERFORMANCE WITH 4-POLE MOTORS 1400 REVS. INPUT

TYPE	i=ratio	n2 r/min	Kw=P1	Nm=T2
	300	4.7	0.09*	31
	400	3.5	0.09*	28
	500	2.8	0.09*	34
	600	2.3	0.09*	31
CHM 025/030	750	1.9	0.09*	34
	900	1.6	0.09*	31
	1200	1.2	0.09*	31
	1500	0.9	0.09*	26
	1800	0.8	0.09*	23
	2400	0.6	0.09*	23

TYPE	i=ratio	n2 r/min	Kw=P1	Nm=T2
	300	4.7	0.37	405
	400	3.5	0.25	336
	500	2.8	0.25	307
	600	2.3	0.18	362
CHM 040/075	750	1.9	0.18	391
	900	1.6	0.18*	325
	1200	1.2	0.18*	359
	1500	0.9	0.09	360
	1800	0.8	0.09	404
	2400	0.6	0.09*	330

TYPE	i=ratio	n2 r/min	Kw=P1	Nm=T2
	300	4.7	0.09*	70
	400	3.5	0.09*	63
	500	2.8	0.09*	57
	600	2.3	0.09*	72
CHM 030/040	750	1.9	0.09*	72
	900	1.6	0.09*	73
	1200	1.2	0.09*	65
	1500	0.9	0.09*	73
	1800	0.8	0.09*	73
	2400	0.6	0.09*	65

TYPE	i=ratio	n2 r/min	Kw=P1	Nm=T2
	300	4.7	0.37	405
	400	3.5	0.37	523
	500	2.8	0.37	550
	600	2.3	0.37	605
CHM 040/090	750	1.9	0.25	538
	900	1.6	0.25	533
	1200	1.2	0.18	629
	1500	0.9	0.18	588
	1800	0.8	0.18*	492
	2400	0.6	0.18*	625

TYPE	i=ratio	n2 r/min	Kw=P1	Nm=T2
	300	4.7	0.18	142
	400	3.5	0.18	127
	500	2.8	0.09	123
	600	2.3	0.09	143
CHM 030/050	750	1.9	0.09	148
	900	1.6	0.09*	141
	1200	1.2	0.09*	118
	1500	0.9	0.09*	139
	1800	0.8	0.09*	155
	2400	0.6	0.09*	124

TYPE	i=ratio	n2 r/min	Kw=P1	Nm=T2
	300	4.7	0.75	871
	400	3.5	0.75	1013
	500	2.8	0.55	984
	600	2.3	0.55	1062
CHM 050/110	750	1.9	0.55	1128
	900	1.6	0.37	1079
	1200	1.2	0.25	943
	1500	0.9	0.25	1064
	1800	0.8	0.25	1075
	2400	0.6	0.18	1001

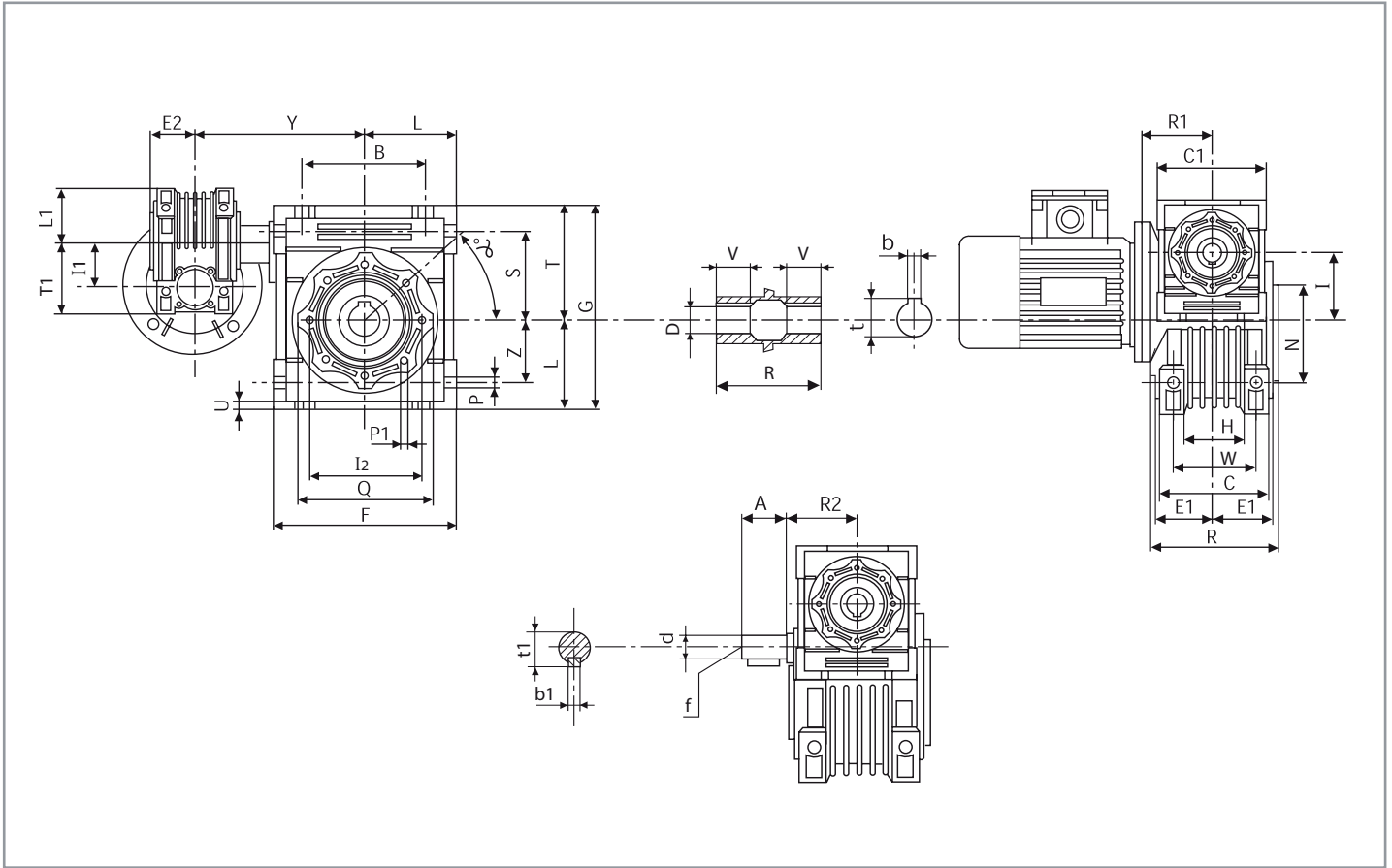
TYPE	i=ratio	n2 r/min	Kw=P1	Nm=T2
	300	4.7	0.22	210
	400	3.5	0.18	222
	500	2.8	0.18	205
	600	2.3	0.18*	208
CHM 030/063	750	1.9	0.18*	216
	900	1.6	0.09	200
	1200	1.2	0.09	236
	1500	0.9	0.09*	204
	1800	0.8	0.09*	202
	2400	0.6	0.09*	220

TYPE	i=ratio	n2 r/min	Kw=P1	Nm=T2
	300	4.7	1.50	1789
	400	3.5	1.10	1519
	500	2.8	1.10	1629
	600	2.3	0.75	1631
CHM 063/130	750	1.9	0.75	1804
	900	1.6	0.75	1826
	1200	1.2	0.55	1705
	1500	0.9	0.37	1674
	1800	0.8	0.37	1698
	2400	0.6	0.25	1624

N.B. The powers marked with an asterisk are higher than those that the gear allows, therefore the applicative choice must be made in accordance with the torque and not the power. The gear ratios are those most frequently requested. It is possible to obtain multiple combinations using the various ratios of the two single gears.
CHM 63/150 on request



CHM-CHM/CHMR-CHM - DIMENSIONS OF COMBINED GEARS



CHM-CHM	B	A	F	C1	D(H7)	d(f6)	G	H	R1	R	R2	L	L1	I	I1	C	I2	N(h8)	E1	E2	P
025/030	54	-	80	70	14	-	97	32	45	63	-	40	35	30	25	56	65	55	29	22.5	6
030/040	70	20	100	80	18	9	121.5	43	55	78	51	50	40	40	30	71	75	60	36.5	29	6.5
030/050	80	20	120	80	25	9	144	49	55	92	51	60	40	50	30	85	85	70	43.5	29	8.5
030/063	100	20	144	80	25	9	174	67	55	112	51	72	40	63	30	103	95	80	53	29	8.5
040/075	120	23	172	100	28	11	205	72	70	120	60	86	50	75	40	112	115	95	57	36.5	11
040/090	140	23	208	100	35	11	238	74	70	140	60	103	50	90	40	130	130	110	67	36.5	13
050/110	170	30	252.5	120	42	14	295	-	80	155	74	127.5	60	110	50	144	165	130	74	43.5	14
063/130	200	40	292.5	144	45	19	335	-	95	170	90	147.5	72	130	63	155	215	180	81	53	16
063/150	240	40	340	144	50	19	400	-	95	200	90	170	72	150	63	185	215	180	96	53	18

CHM-CHM	Q	S	T	T1	U	V	Z	Y	W	P1	α	b	b1	f	t	t1	Weight in Kg. excluding motor
025/030	75	44	57	48	5	18	27	100	44	M6x11(n.4)	90°	5	-	-	-	-	2.5
030/040	87	55	71.5	57	6.5	26	35	120	60	M6x8(n.4)	45°	6	3	-	20.8	10.2	3.9
030/050	100	64	84	57	7	30	40	130	70	M8x10(n.4)	45°	8	3	-	28.3	10.2	5.0
030/063	110	80	102	57	8	36	50	145	85	M8x14(n.8)	45°	8	3	-	28.3	10.2	7.8
040/075	140	93	119	71.5	10	40	60	165	90	M8x14(n.8)	45°	8	4	-	31.3	12.5	11.5
040/090	160	102	135	71.5	11	45	70	182	100	M10x18(n.8)	45°	10	4	-	38.3	12.5	15
050/110	200	125	167.5	84	14	50	85	225	115	M10x18(n.8)	45°	12	5	M6	45.3	16.0	39.2
063/130	250	140	187.5	102	15	60	100	245	120	M12x21(n.8)	45°	14	6	M6	48.8	21.5	70
063/150	250	180	230	102	18	72	120	275	145	M12x21(n.8)	45°	14	6	M6	53.8	21.5	100

N.B. For the side flange and double extended input worm dimensions see the corresponding size of the CHM models.

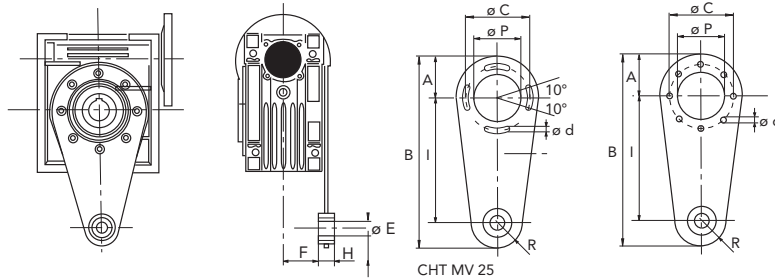


TORQUE ARM

TYPE	I	R	F	H	Ø E	A	B	Ø C	Ø d	Ø P	N°	Weight for kit kg
CHT MV 25*	70	15	17.5	14	8	33.5	118.5	55	7	45	4	0.17
CHT MV 30*	85	15	24	14	8	38	138	65	7	55	8	0.18
CHT MV 40	100	18	31.5	14	10	44	162	75	7	60	8	0.24
CHT MV 50	100	18	38.5	14	10	50	168	85	9	70	8	0.27
CHT MV 63	150	18	49	14	10	55	223	95	9	80	8	0.57
CHT MV 75	200	30	47.5	25	20	70	300	115	9	95	8	1.10
CHT MV 90	200	30	57.5	25	20	80	310	130	11	110	8	1.26
CHT MV 110	250	35	62	30	25	100	385	165	11	130	8	1.92
CHT MV 130	250	35	69	30	25	125	410	215	14	180	8	2.23
CHT MV 150	250	35	84	30	25	125	410	215	14	180	8	2.23

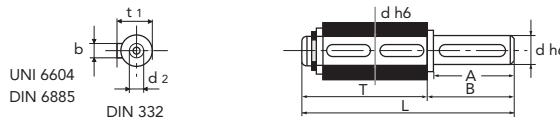
* Without vibration resistant bushing

The anchoring point of the torque arm is equipped with a vibration resistant bushing.



SINGLE OUTPUT SHAFT KIT

TYPE	A	Ø d	B	b	t 1	T	L	d 2	Weight for kit kg
CHT MVS 25	23	11	25.5	4	12.5	55.5	81	-	0.07
CHT MVS 30	30	14	32.5	5	16	69.5	102	M6x16	0.14
CHT MVS 40	40	18	43	6	20.5	85	128	M6x16	0.27
CHT MVS 50	50	25	53.5	8	28	99.5	153	M10x22	0.60
CHT MVS 63	50	25	53.5	8	28	119.5	173	M10x22	0.67
CHT MVS 75	60	28	63.5	8	31	128.5	192	M10x22	0.94
CHT MVS 90	80	35	84.5	10	38	149.5	234	M12x28	1.79
CHT MVS 110	80	42	84.5	12	45	164.5	249	M16x35	2.70
CHT MVS 130	80	45	85	14	48.5	180	265	M16x35	3.60
CHT MVS 150	82	50	87	14	53.5	210	297	M16x35	5.00



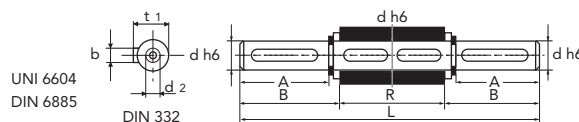
50

CHM - TORQUE ARM - SINGLE/ DOUBLE OUTPUT SHAFT KIT



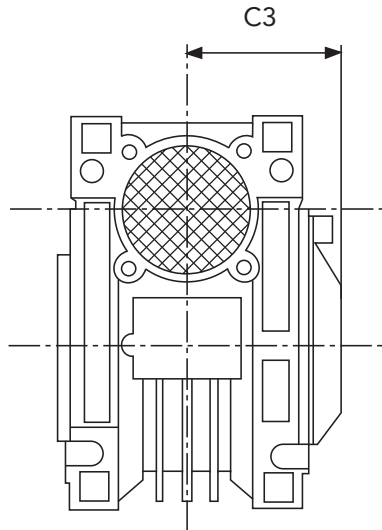
DOUBLE OUTPUT SHAFT KIT

TYPE	A	Ø d	B	R	b	t 1	L	d 2	Weight for kit kg
CHT MVD 25	23	11	25.5	50	4	12.5	101	-	0.11
CHT MVD 30	30	14	32.5	63	5	16	128	M6x16	0.16
CHT MVD 40	40	18	43	78	6	20.5	164	M6x16	0.34
CHT MVD 50	50	25	53.5	92	8	28	199	M10x22	0.75
CHT MVD 63	50	25	53.5	112	8	28	219	M10x22	0.84
CHT MVD 75	60	28	63.5	120	8	31	247	M10x22	1.20
CHT MVD 90	80	35	84.5	140	10	38	309	M12x28	2.50
CHT MVD 110	80	42	84.5	155	12	45	324	M16x35	3.44
CHT MVD 130	80	45	85	170	14	48.5	340	M16x35	4.25





COVER



TYPE	C3
030	43
040	50
050	59
063	70
075	75
090	87
110	95
130	103
150	117



REDUCTION BUSHINGS KIT

51

SINGLE

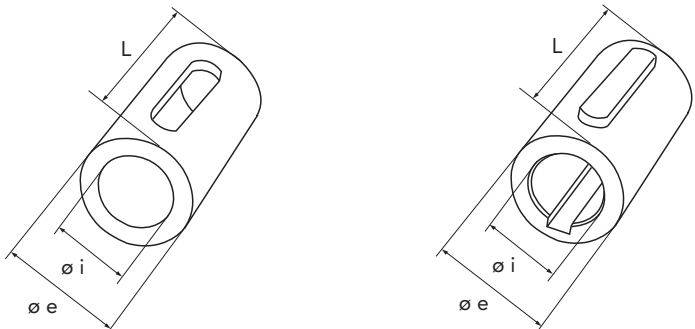
TYPE	$\phi i/\phi e$	L	Key	Weight for kit kg
CHT BRM-S	9/11	20	4/3x4x11 RB*	0.006
CHT BRM-S	11/14	30	5/4x6x10 RB*	0.015
CHT BRM-S	14/19	40	6x5x30 *	0.045
CHT BRM-S	19/24	50	6x5.5x20 * 8x5.5x40 *	0.07
CHT BRM-S	24/28	60	8x9x40 *	0.08
CHT BRM-S	28/38	80	10x7x60 *	0.33
CHT BRM-S	38/42	110	12/10x10x48 RB*	0.22

DOUBLE

TYPE	$\phi i/\phi e$	L	Key	Weight for kit kg
CHT BRM-D	11/19	40	6x6x30 *	0.06
CHT BRM-D	14/24	50	8x7x40 A	0.12
CHT BRM-D	19/28	60	8x7x50 A	0.16
CHT BRM-D	24/38	80	10x8x60 A	0.44

* to drawing

Tongue acc. to UNI 6604 - DIN 6885
Quenched



2D and 3D drawings available on the web site www.chiaravalli.com

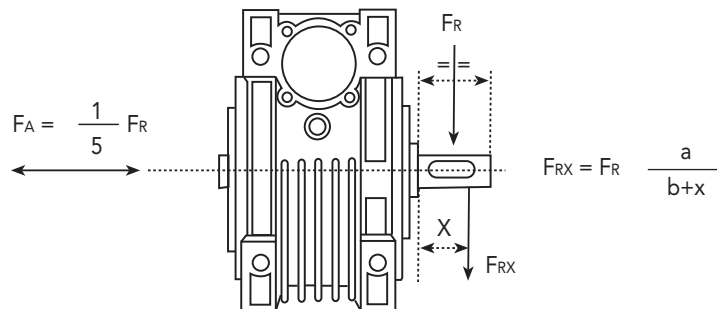
Quantity, availability and prices with Chiaravalli B2B



RADIAL LOADS ON THE OUTPUT SHAFT

The loads indicated are valid for all application directions.
 The maximum allowable axial loads are equal to 1/5 of the radial load value shown in the table when applied with the same radial load; if this is not the case, please contact our technical office. If double output shafts are used, the sum of radial loads applicable to the centre lines of the two ends of the shaft must not exceed the value shown in the table below.
 The radial loads related to the output speed (n2)=10 are the maximum loads supported by the gear.

- a | GEAR CONSTANT
- b | GEAR CONSTANT
- x | LOAD DISTANCE FROM SHAFT SHOULDER IN MM.
- F_{RX} | RADIAL LOAD IN POSITION X (IN N)
- F_R | RADIAL LOAD (N)
- F_A | AXIAL LOAD (N)



SIZES

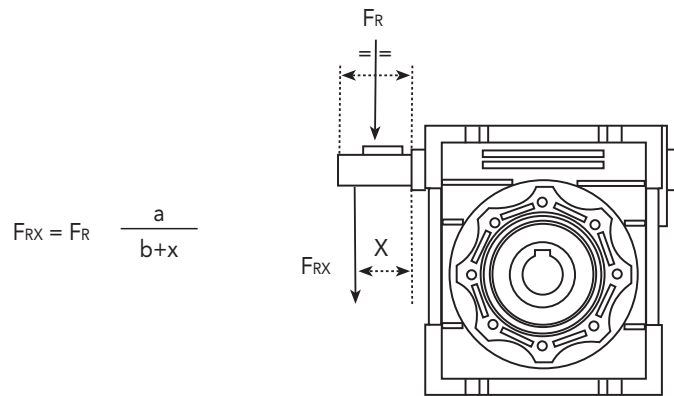
Output speed (n2)	025	030	040	050	063	075	090	110	130	150
400	390	530	1020	1400	1830	2160	2390	3530	3950	5290
250	460	620	1200	1650	2150	2520	2800	4130	4610	6140
150	550	740	1420	1960	2540	2990	3310	4890	5470	7300
100	630	850	1620	2250	2910	3430	3800	5600	6260	8330
60	740	1000	1920	2660	3450	4060	4500	6640	7420	9800
40	850	1150	2200	3050	3950	4650	5150	7600	8500	11330
25	990	1350	2570	3570	4620	5440	6020	8890	9940	13250
10	1350	1830	3490	4840	6270	7380	8180	12000	13500	18000

CONSTANTS' VALUES

a	50	65	84	101	120	131	162	176	188	215
b	38	50	64	76	95	101	122	136	148	174



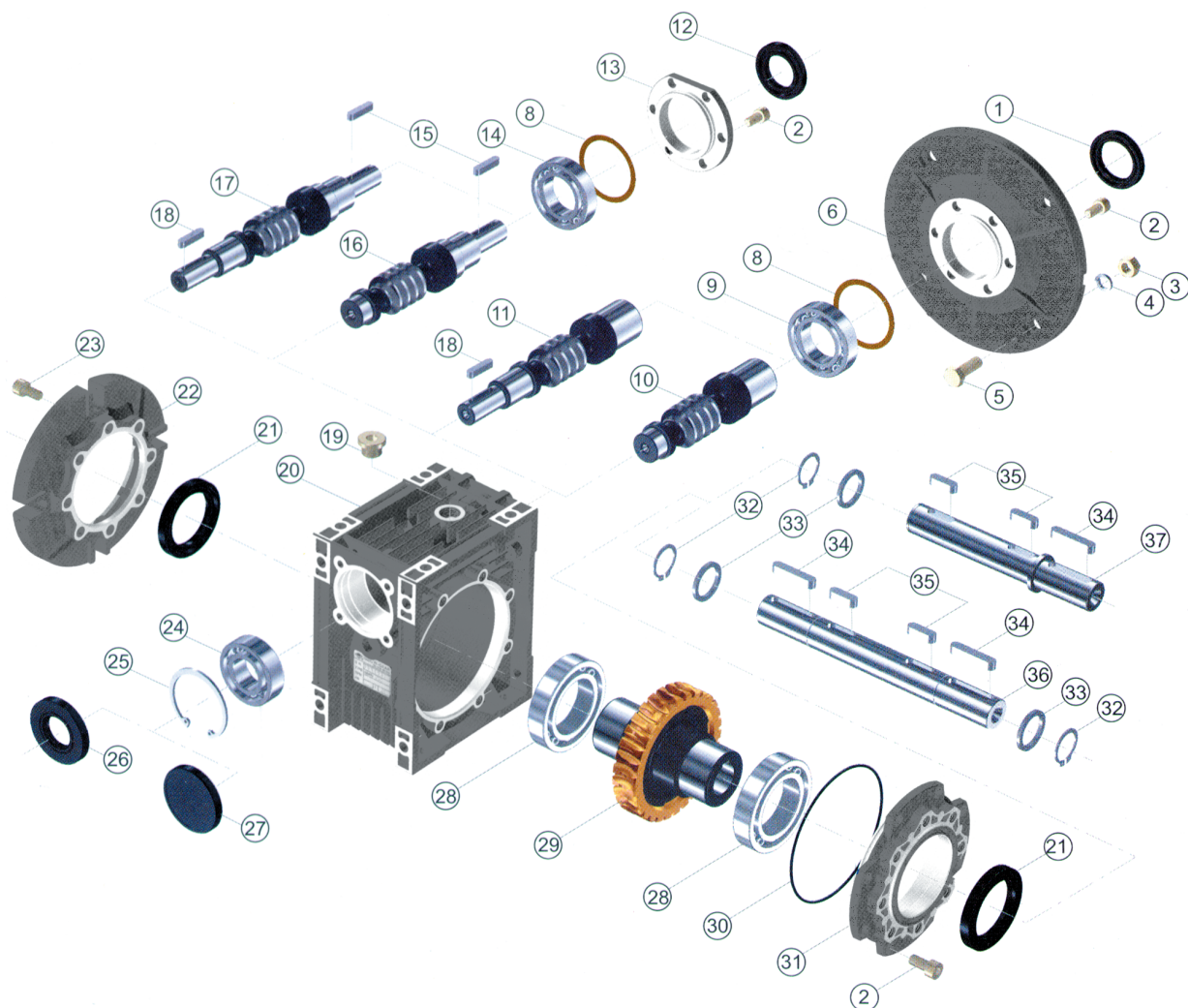
RADIAL LOADS ON THE CENTRE LINE OF THE INPUT SHAFT



SIZES									
	030	040	050	063	075	090	110	130	150
CONSTANTS' VALUES									
a	86	106	129	159	192	227	266	314	350
b	76	94	114	139	167	202	236	274	310
FR max	210	350	490	700	980	1270	1700	2100	2800



EXPLODED DRAWING AND SPARE PARTS LIST



1	OIL SEAL	20	CASING
2	TORX SCREW	21	OIL SEAL
3	NUT	22	OUTPUT FLANGE
4	WASHER	23	EMBEDDED HEXAGONAL-HEAD SCREW
5	HEXAGONAL-HEAD SCREW	24	BEARING
6	MOTOR CONNECTION FLANGE	25	SEEGER
8	ADJUST SPACER	26	OIL SEAL
9	BEARING	27	CAP
10	HOLE INPUT WORM	28	BEARING
11	HOLE INPUT AND SHAFT OUTPUT WORM	29	WORM WHEEL
12	OIL SEAL	30	O-RING
13	INPUT COVER	31	OUTPUT COVER
14	BEARING	32	SEEGER
15	KEY	33	SPACER
16	SHAFT INPUT WORM	34	KEY
17	DOUBLE EXTENDED INPUT SHAFT WORM	35	KEY
18	KEY	36	DOUBLE OUTPUT SHAFT
19	OIL PLUG	37	SINGLE OUTPUT SHAFT

2D and 3D drawings available on the web site www.chiaravalli.com
Quantity, availability and prices with Chiaravalli B2B



INSTALLATION

- The data shown on the identification name plate must correspond to the gear ordered.
- The oil level, for the sizes 110 and 130 equipped with filling, draining and level plug, must correspond to the quantity foreseen for the assembly position requested (see catalogue), in addition, always for the sizes indicated, it will be the client's responsibility to substitute the blind plug, supplied for transport, with the corresponding plug equipped with a bleed hole included in the supply with the gear.
- All of the other gears are supplied complete with permanent synthetic oil in a quantity that is sufficient for any assembly position.
- The gear must be fixed on a flat surface that is sufficiently rigid in order to avoid any vibration.
- The gear and the axis of the machine to be driven must be perfectly aligned.
- In the event that knocks, overloading or blockage of the machine are foreseen, the client must install a limiting device, joints, overload cut-out etc.
- Coupling with pinions, joints, pulleys and other parts must be done after the parts have been cleaned and knocks should be avoided while assembling as they could damage the bearings and other internal parts.
- In the event that the motor is supplied by the client, he must check that the flange and shaft tolerances correspond to a "normal" class; our motors satisfy this requirement.
- Check that the fixing screws for the gear and the related accessories are correctly tightened.
- Take suitable measures to protect the groups from any aggressive atmospheric agents.
- Where foreseen, protect rotating parts from any possible contact with the operators.
- If the gears are painted, protect the oil seals and the machined surfaces.
- All of the gears are painted RAL 9022 grey.

OPERATION AND RUNNING-IN

- To obtain the best performance the gears must first be run in by gradually increasing the power in the first few hours of operation, in this phase an increase in temperature is considered normal.
- In the event of defective operation, noise, oil leakage, etc. stop the gear immediately and, when possible, remove the cause. Alternatively, send the piece to our factory to be controlled.

MAINTENANCE

- The worm gears from size 25 to size 90 and the pre-stage modules are lubricated with permanent synthetic oil and therefore do not require any maintenance.
- The gears size 110 and 130 are lubricated with mineral oil and are equipped with a breather plug, therefore the oil level must be checked periodically and if necessary topped up with the same oil or one that is compatible with those indicated in our catalogue.
- For the gears size 110 and 130 proceed with the substitution of the oil after the first 300 working hours, replacing it with the correct quantity in accordance with the assembly position, as detailed in our catalogue, after the inside of the gear has been thoroughly washed.

WAREHOUSE STORAGE

- If the warehouse storage will be for a long time, more than 3 months, the shafts and machined surfaces should be protected using antioxidants and the oil seals should be greased.

HANDLING

- Care must be taken not to damage the oil seals and the machined surfaces when handling the groups.

DISPOSAL OF PACKAGING

- The packaging in which our gears are delivered should be sent to specialised companies for recycling if possible.



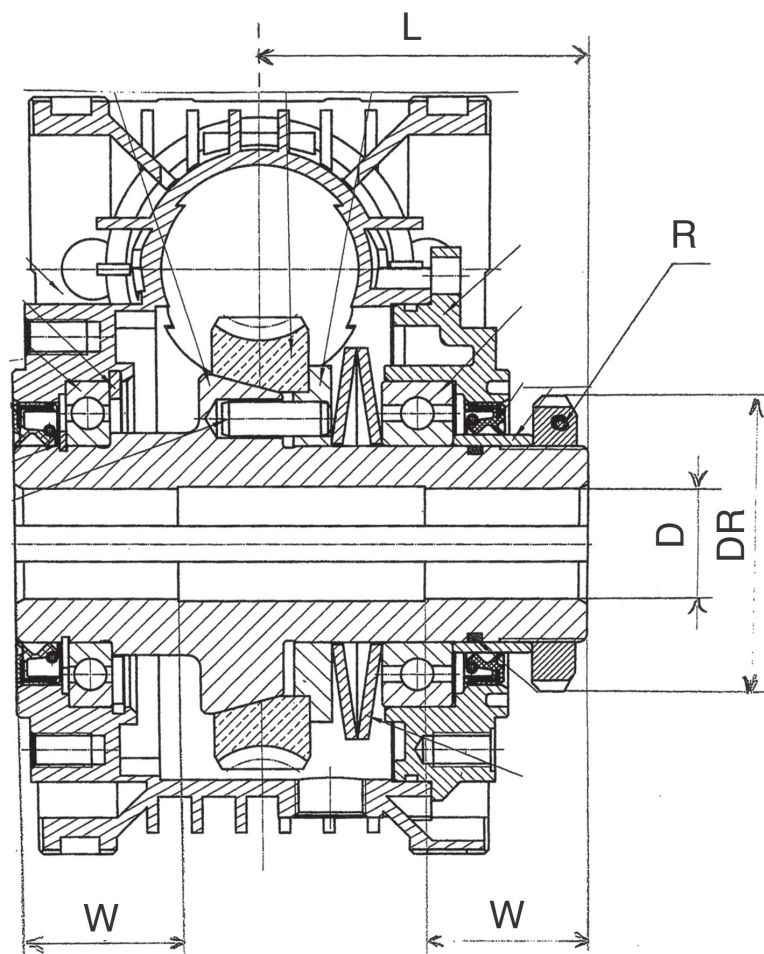
**CHML WORM GEARBOXES WITH
TORQUE LIMITER**



DESIGN FEATURES

CHML worm gearboxes are manufactured in three sizes 40-50-63.
The torque limiter assures protection of the gearbox from overloads.
The torque limiter, in oil bath, is maintenance free.
The hollow output shaft diameter is the same of standard gearboxes.
Gearbox dimensions, external ring nut excluded, are unchanged.
Adjusted the torque limiter with the ring nut in accordance to application request.

DIMENSIONS



	040	050	063
L	55	63,5	74
DR	45	56	62
R	M30x1,5	M40x1,5	M45x1,5
D	18	25	25
W	26	33	37

2D and 3D drawings available on the web site www.chiaravalli.com
Quantity, availability and prices with Chiaravalli B2B



CH WORM GEARED MOTORS AND WORM GEAR UNITS



INTRODUCTION

The new CH worm gearboxes of Chiaravalli Group S.p.A. have been produced to satisfy the market that require a product in dimensions and construction without changing the existing drawings and to guarantee non stop of their spare parts.

Chiaravalli Group S.p.A. designed this new product by improving and introducing better technical modifications to offer easier application of the groups to the different assembling configurations so that by offering a better service in flexibility and delivery time.

Starting from these considerations, we have a gearbox with a motor mounting flange that is separable from the housing which incorporate the oil seal; in this way we avoid any risk of damaging the oil seal in case of replacement of the input flange and the O-Ring can be eliminated.

All the aside covers, swinging and with feet, have O-Rings instead of traditional flat gaskets. The sizes 03-04-05 allow the rotation of the feet without disassembling them; furthermore the versions with swinging aside covers allow the lateral flanges to be fitted on both sides with simple fixing screws.

The worm screw has a ZI involute profile: with this worm-wheel coupling we shall get a better performance with a temperature reduction.

The gearboxes and motors are painted with RAL 9022 aluminium colour epoxy powder to protect the parts from oxidation and against micro-blowholes that can come during the pressure of die-castings.

The CHPC pre-stage gears (already present in the catalogue of CHM) can also be mounted with this range, obtaining a gear ratio up to 1:300.

For bigger reductions is possible to have two gears together using an appropriate kit.



LUBRICATION

All of the groups are supplied with a synthetic lubricant maintenance free and can be mounted in any position. The types of lubricants are described in the table here below.

Lubricant	Ambient	ISO	AGIP	SHELL	IP
°C ambient	-25°C/+50°C	VG 320	Telium VSF 320	Tivela oil S 320	Telium VSF

2D and 3D drawings available on the web site www.chiaravalli.com

Quantity, availability and prices with Chiaravalli B2B



QUANTITY OF OIL IN LITRES

CH	03	04	05	06	07	08
	0.040	0.060	0.10	0.38	0.52	0.73



MOTOR MOUNTING FLANGES

Gears supplied with mounting flanges must be assembled with motors whose shaft and flange tolerances correspond to a "normal" class of quality in order to avoid vibration and forcing of the input bearing. Motors supplied by Chiaravalli Group S.p.A. guarantee this requirement fulfilled. For ease of consultation, the correspondence of the size of the B5 and B14 motor with the sizes of the shaft and the motor connection flange are shown in the following table.

Remember that, as the motor connection flanges are separate from the body it is also possible to have a shaft / flange combination that does not correspond to the table, e.g. 19/140, thereby offering adaptability for other non-unified models such as the brushless or direct current types.

MMF	056	063	071	080	090	100	112
B5	9/120	11/140	14/160	19/200	24/200	28/250	28/250
B14	9/80	11/90	14/105	19/120	24/140	28/160	28/160



NEW MODEL





CH 03/04/05 WORM GEARED MOTORS AND WORM GEAR UNITS

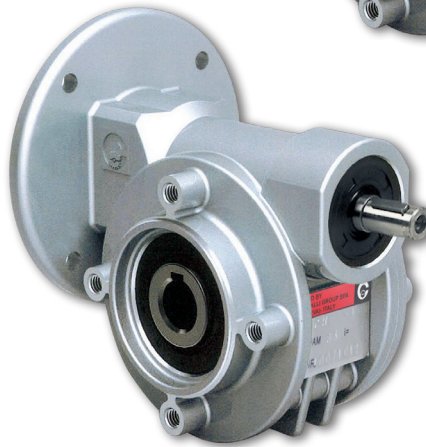
CH...



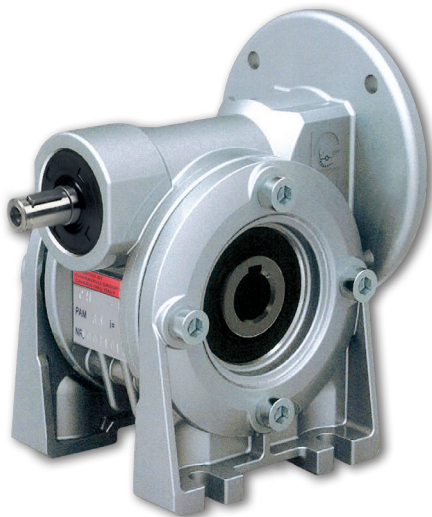
CH...P



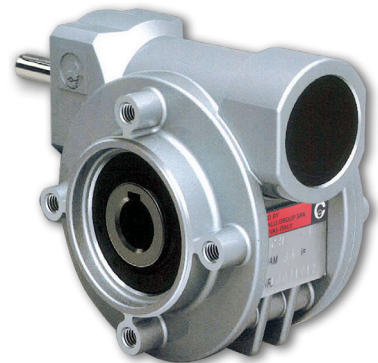
CHE...P



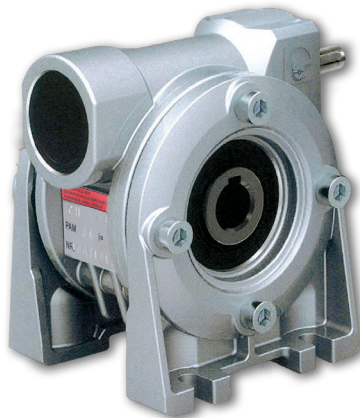
CHE...



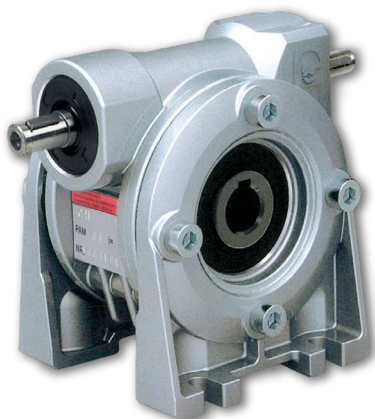
CHR...P



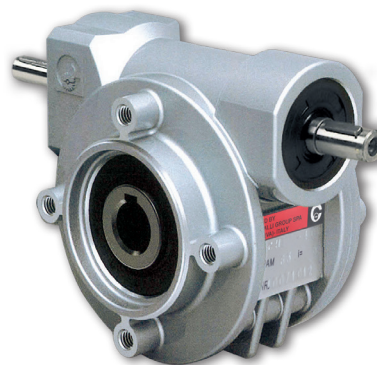
CHR...



CHRE...



CHRE...P





CH - CH...P 03/04/05 DESIGNATION

TYPE (1)	SIZE	VERSION	FLANGE POS. (2)	i	M.M.F.	MOUNT. POS.
CH	03	A	1	RATIO SEE PAGE 64	63B5	UNIVERSALE
CH..P		P	2		63B14	
CHR		PF			56B5	
CHR..P		N			56B14	
CHE		V				
CHE..P						
CHRE						
CHRE..P						

TYPE (1)	SIZE	VERSION	FLANGE POS. (2)	i	M.M.F.	MOUNT. POS.
CH	04	A	1	RATIO SEE PAGE 65	71B5	UNIVERSALE
CH..P		P	2		71B14	
CHR		PF			63B5	
CHR..P		PFA			63B14	
CHE		N				
CHE..P		V				
CHRE						
CHRE..P						

TYPE (1)	SIZE	VERSION	FLANGE POS. (2)	i	M.M.F.	MOUNT. POS.
CH	05	A	1	RATIO SEE PAGE 66	80B5	UNIVERSALE
CH..P		P	2		80B14	
CHR		PF			71B5	
CHR..P		PFA			71B14	
CHE		N			63B5	
CHE..P		V			63B14	
CHRE						
CHRE..P						



ORDER EXAMPLE

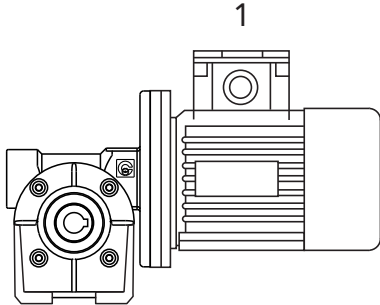
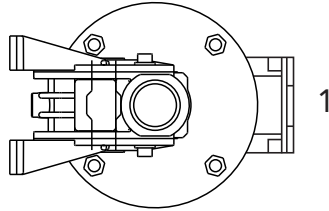
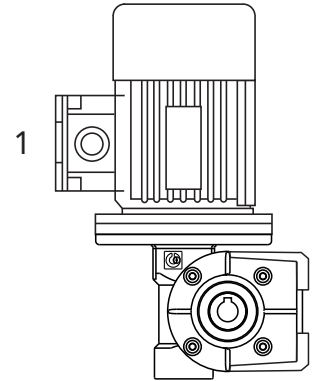
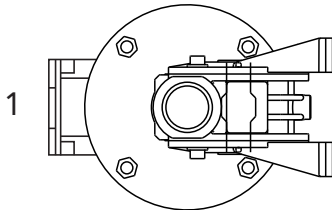
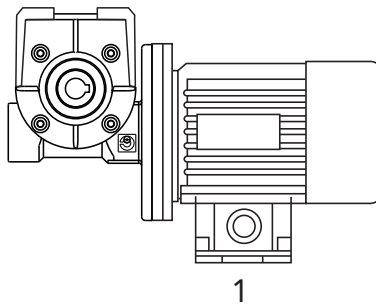
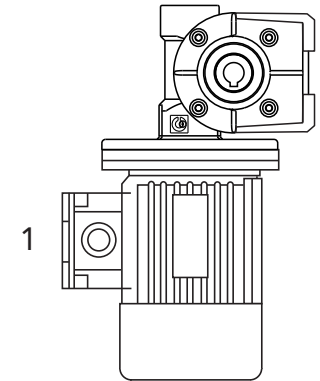
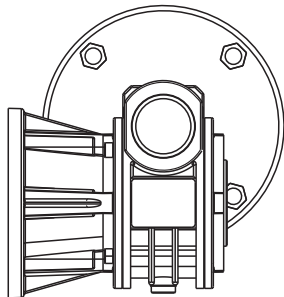
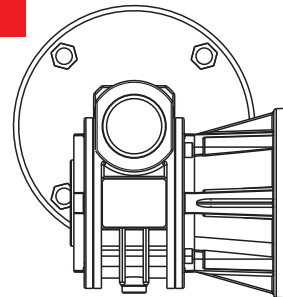
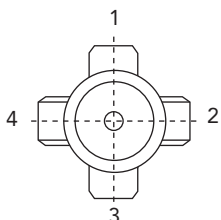
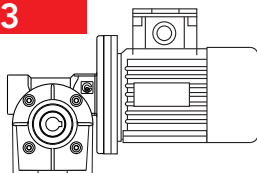
CH	04P	FA	2	35	63 B14
CH	04			10	71 B5

If the motor is also required, please specify:

Size es. 63 C4
 Power es. Kw 0.22
 Poles es. 4
 Voltage es. V230/400
 Frequency es. 50 Hz
 Flange es. B14

N.B. Gear box required with output flanges F or FA must be ordered PF or PFA version.

1) see page 61
 2) see page 63

**B3****B6****V5****B7****B8****V6****PF1****PF2****B3****TERMINAL BOX POSITION**

N.B. The position of the terminal box always refers to the B3 position.

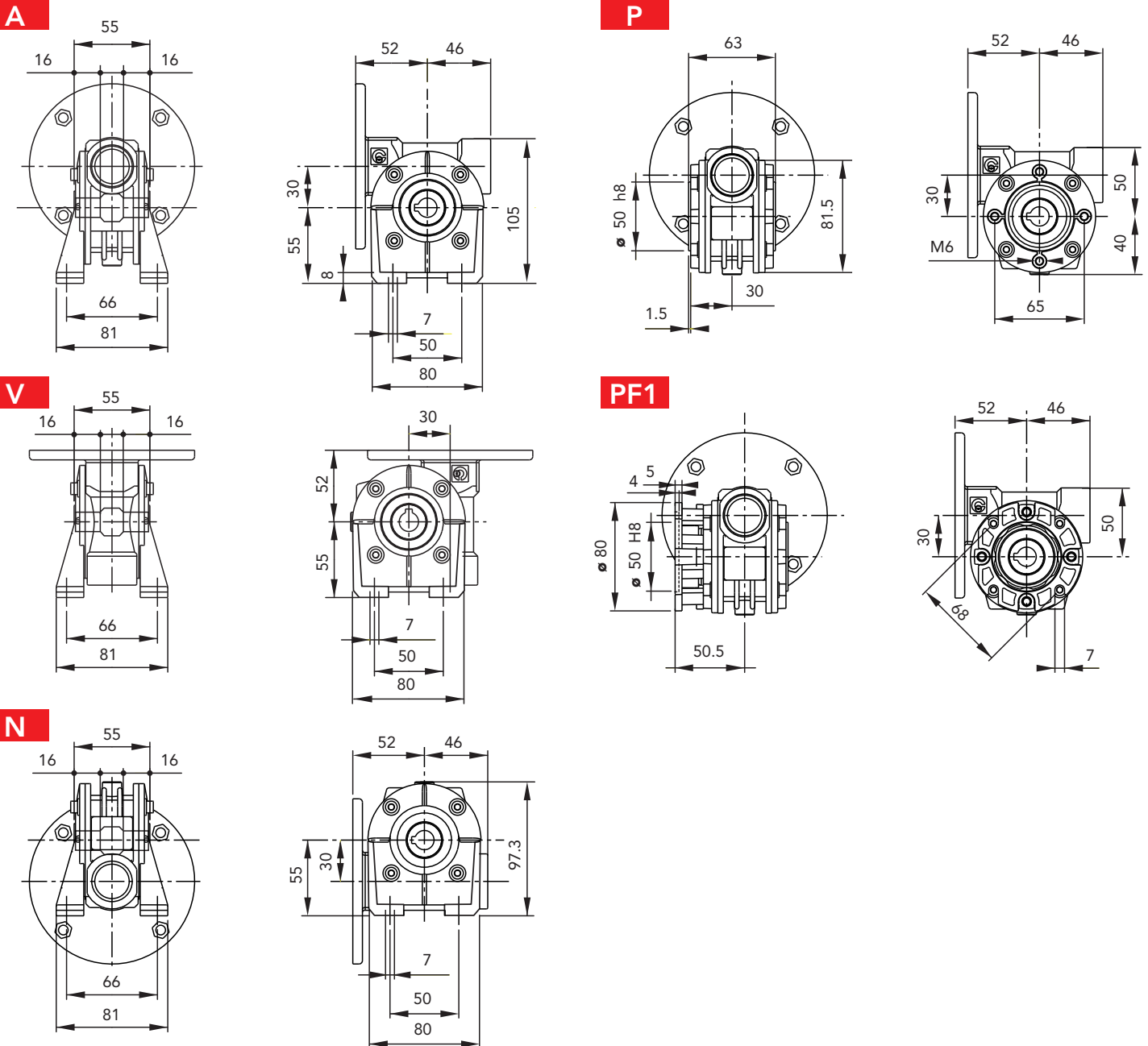


CH 03 - PERFORMANCE WITH 4-POLE MOTORS 1400 REVS. INPUT

TYPE	i=ratio	n2 r/min	Kw=P1	Nm=T2	f.s.	Possible types of motor connections	
CH 03	7	200	0.22	8	1.8	63/56	B5/B14
	10	140	0.22	11	1.4	63/56	B5/B14
	15	93	0.22	16	1.0	63/56	B5/B14
	20	70	0.22	20	0.9	63/56	B5/B14
	30	47	0.18	22	0.8	63/56	B5/B14
	40	35	0.12	18	1.0	63/56	B5/B14
	60	23	0.09	18	1.0	63/56	B5/B14
	70	20	0.09	15	0.9	56	B5/B14

Weight Kg 1

DIMENSIONS





CH 04 - PERFORMANCE WITH 4-POLE MOTORS 1400 REVS. INPUT

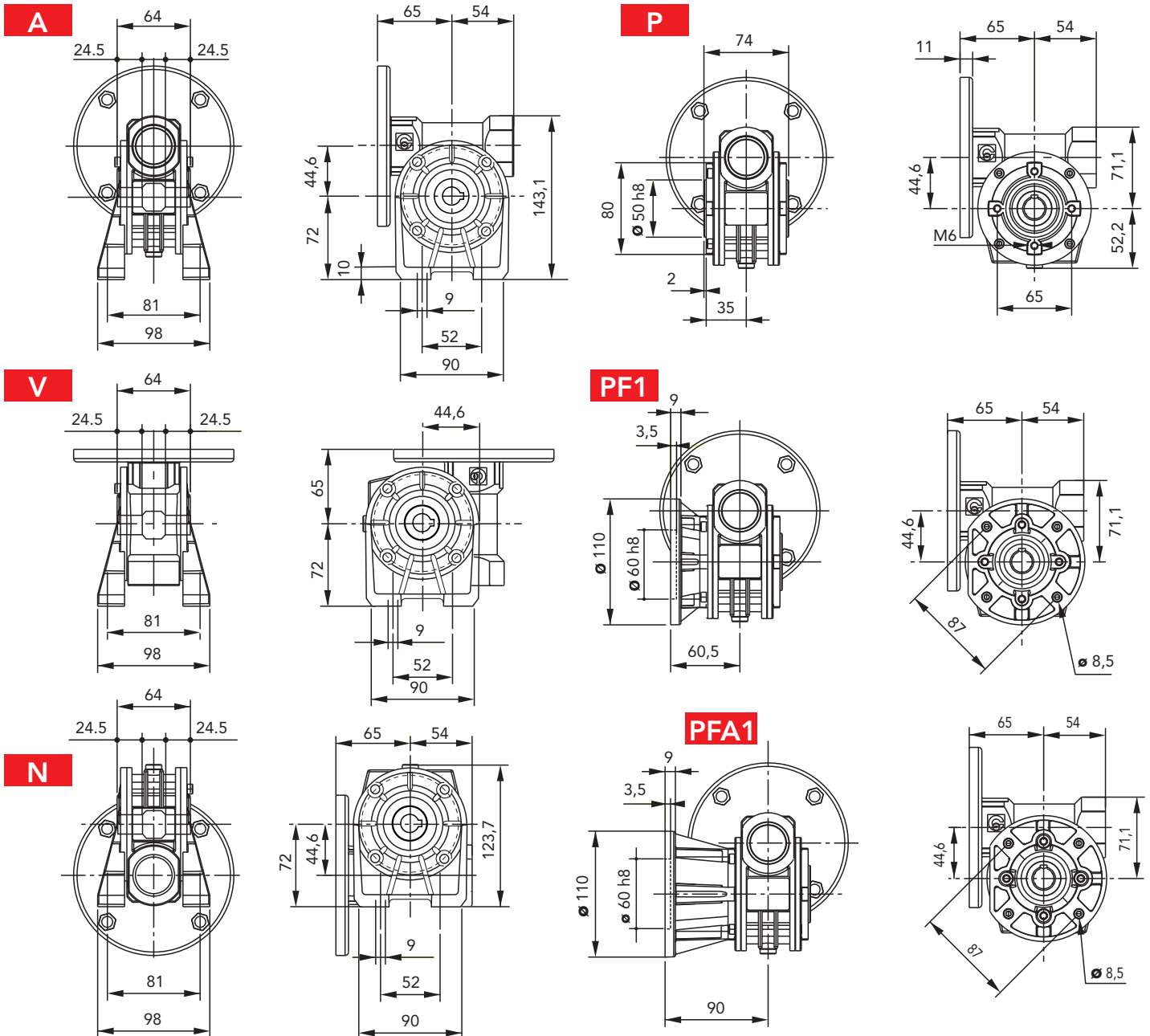
TYPE	i=ratio	n2 r/min	Kw=P1	Nm=T2	f.s.	Possible types of motor connections	
	7	200	0.55*	22	1.4	71/63	B5/B14
	10	140	0.55*	30	1.0	71/63	B5/B14
	14	100	0.37	29	1.0	71/63	B5/B14
	20	70	0.37	38	1.0	71/63	B5/B14
	28	50	0.37	40	0.9	71/63	B5/B14
	35	40	0.25	41	0.9	71/63	B5/B14
	46	30	0.18	37	1.0	63	B5/B14
	60	23	0.18	37	0.9	63	B5/B14
	70	20	0.12	33	0.9	63	B5/B14
	100	14	0.12	30	0.9	63	B5/B14

CH 04

* Motors 71 gr.

Weight Kg 2,1

DIMENSIONS





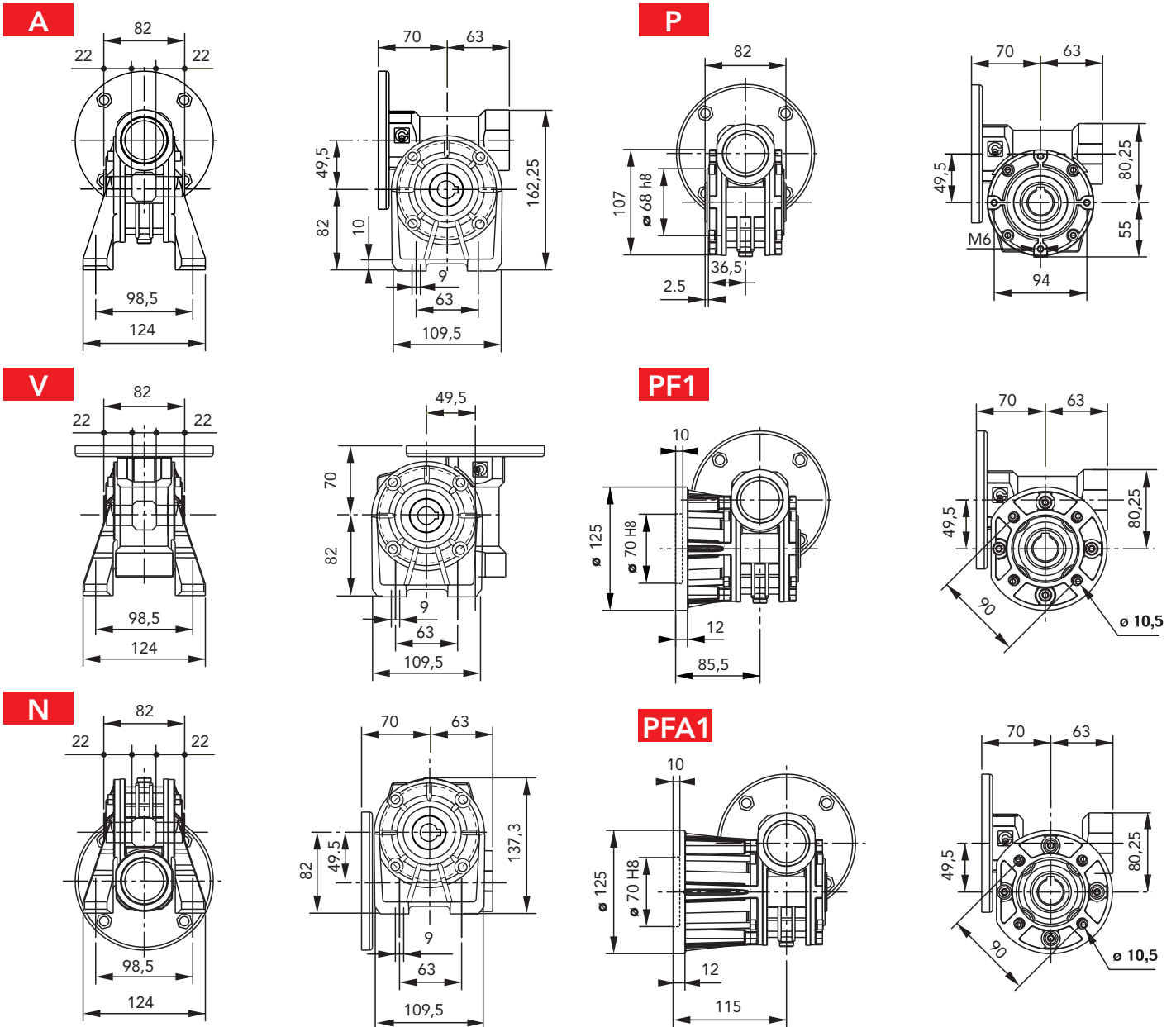
CH 05 - PERFORMANCE WITH 4-POLE MOTORS 1400 REVS. INPUT

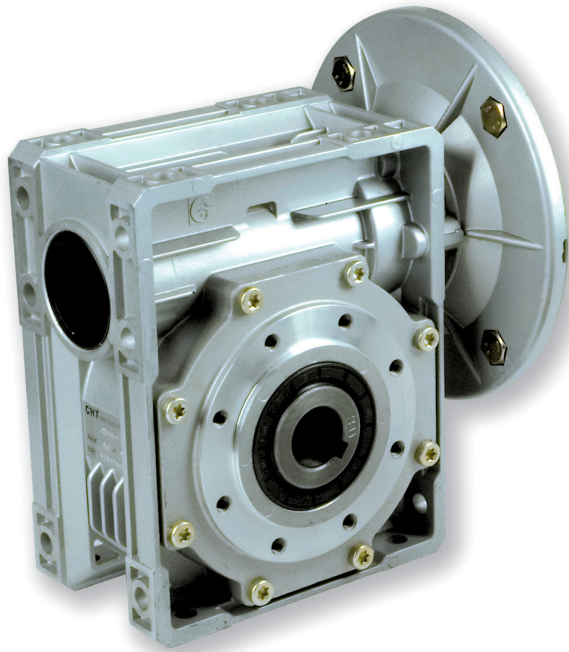
TYPE	i=ratio	n2 r/min	Kw=P1	Nm=T2	f.s.	Possible types of motor connections	
CH 05	7	200	1.1*	40	1.4	80/71	B5/B14
	10	140	1.1*	49	1.2	80/71	B5/B14
	14	100	0.75	57	1.1	80/71	B5/B14
	18	78	0.55	52	1.1	80/71	B5/B14
	24	58	0.55	67	0.9	80/71	B5/B14
	28	50	0.55	73	1.0	80/71	B5/B14
	36	39	0.37	61	1.1	71	B5/B14
	45	31	0.37	65	0.9	71/63	B5/B14
	60	23	0.25	60	1.0	71/63	B5/B14
	70	20	0.22	55	0.9	63	B5/B14
	80	17	0.18	54	1.0	63	B5/B14
	100	14	0.18	50	0.9	63	B5/B14

* Motors 80 gr.

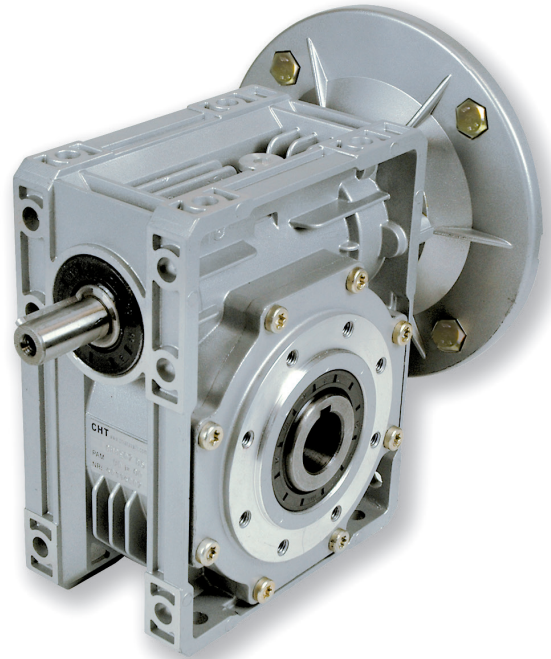
Weight Kg 3

DIMENSIONS

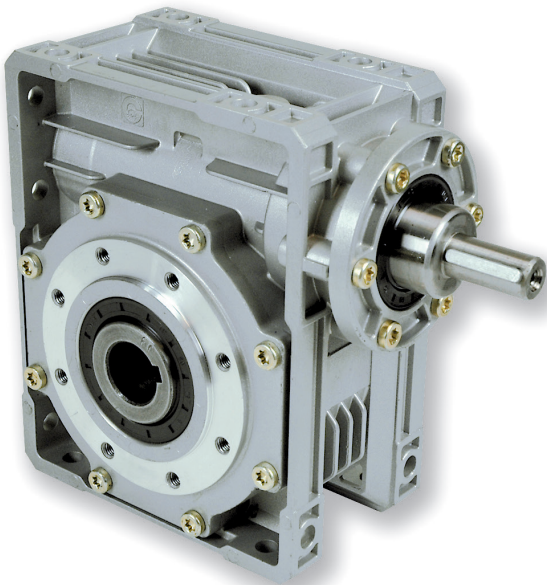




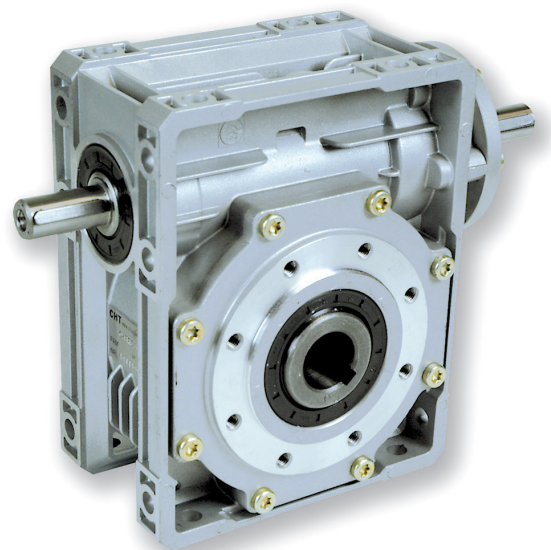
CH..



CHE..



CHR..



CHRE..



CH 06/07/08 DESIGNATION

TYPE (1)	SIZE	VERSION	FLANGE POS. (2)	i	M.M.F.	MOUNT. POS.
CH	06	FC	1	RATIO SEE PAGE 70-71-72	100B5	UNIVERSALE
CHR	07	F	2		100B14	
CHE	08	(3)			90B5	
CHRE					90B14	
					80B5	
				80B14		
				71B5		
				71B14		



ORDER EXAMPLE

CH	06	FC	1	19	90 B5
----	----	----	---	----	-------

If the motor is also required, please specify:

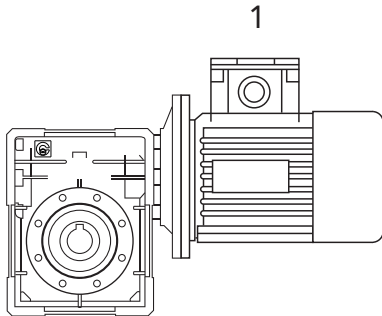
Size es. 90 L4
 Power es. Kw 1.5
 Poles es. 4
 Voltage es. V230/400
 Frequency es. 50 Hz
 Flange es. B5

-
- 1) see page 67
 - 2) see page 69
 - 3) lack of instructions indicates that the gear is not equipped with an output flange

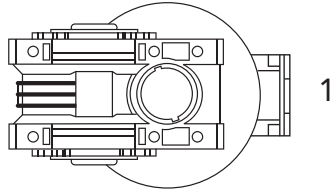


MOUNTING POSITION

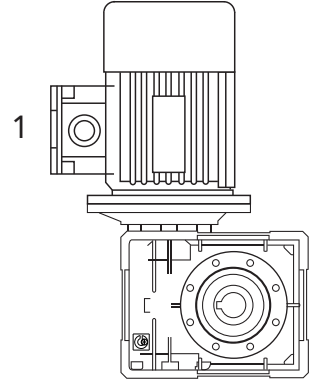
B3



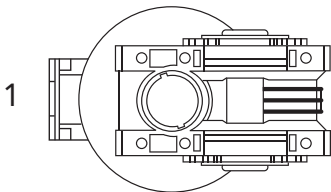
B6



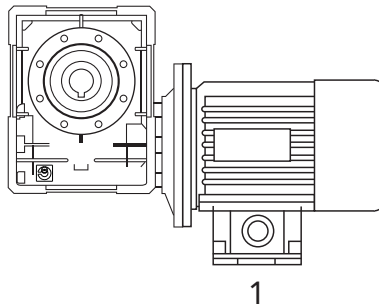
V5



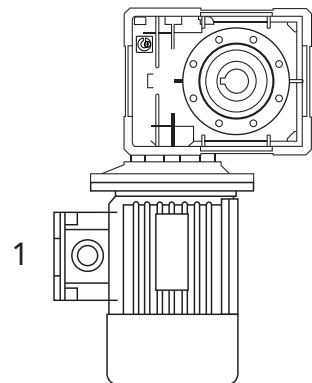
B7



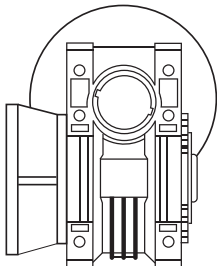
B8



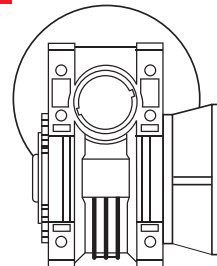
V6



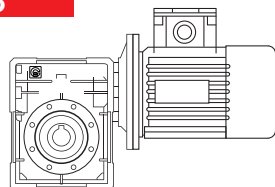
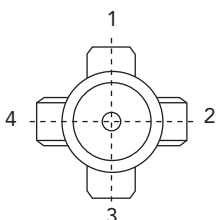
F1



F2



B3



TERMINAL BOX POSITION

N.B. The position of the terminal box always refers to the B3 position.

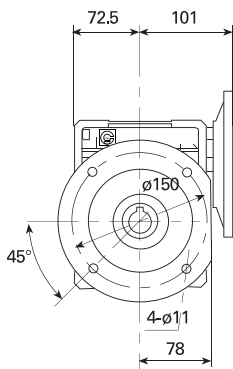
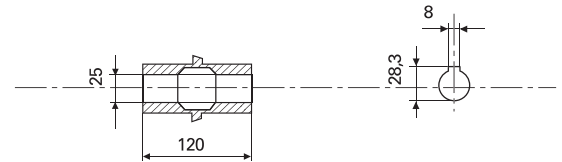
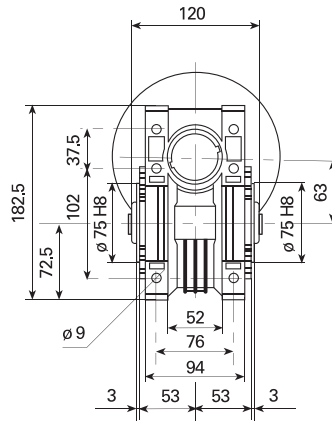
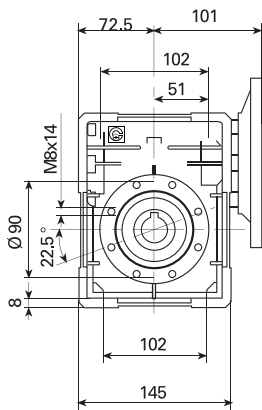


CH 06 - PERFORMANCE WITH 4-POLE MOTORS 1400 REVS. INPUT

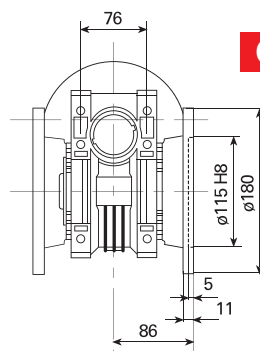
TYPE	i=ratio	n2 r/min	Kw=P1	Nm=T2	f.s.	Possible types of motor connections	
CH 06	7	200	1.85	75	1.5	90/80	B5/B14
	10	140	1.85	105	1.3	90/80	B5/B14
	12	117	1.85	129	1.1	90/80	B5/B14
	15	93	1.85	146	1.0	90/80	B5/B14
	19	74	1.50	150	1.0	90/80	B5/B14
	24	58	1.10	138	1.1	90/80	B5/B14
	30	47	1.10	155	1.0	90/80	B5/B14
	38	37	0.75	133	1.1	90/80	B5/B14
	45	31	0.75	152	0.9	80/71	B5/B14
	64	22	0.37	101	1.2	80/71	B5/B14
80	17	0.37	112	1.0	71	B5/B14	
100	14	0.37	110	1.0	71	B5/B14	

Weight Kg 5,2

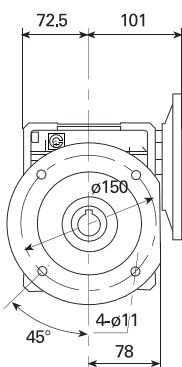
DIMENSIONS



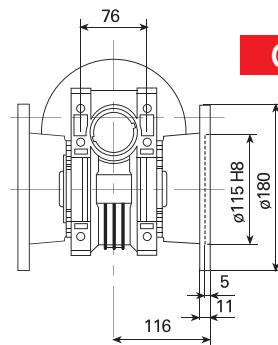
CH06FC 1



CH06FC 2



CH06F1



CH06F2



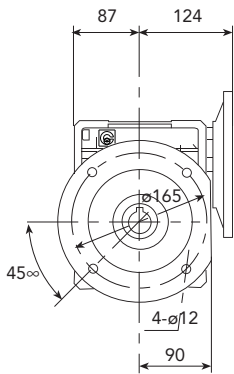
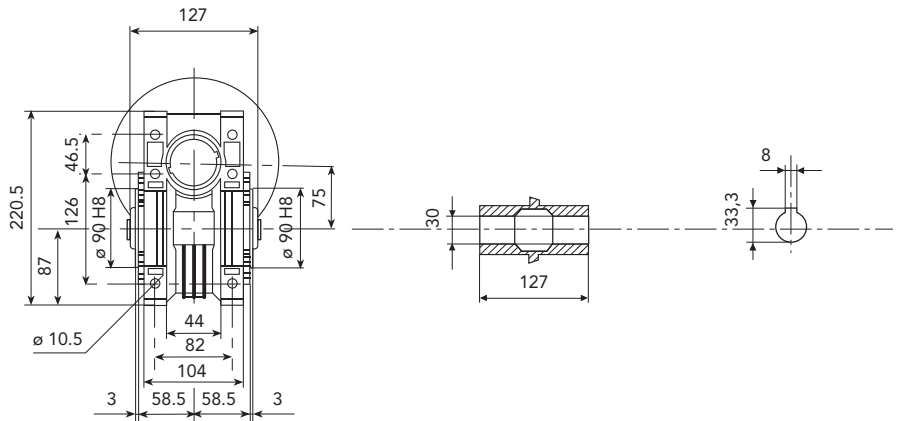
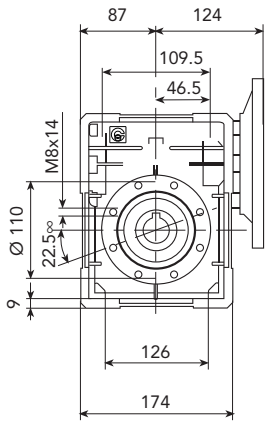
CH 07 - PERFORMANCE WITH 4-POLE MOTORS 1400 REVS. INPUT

TYPE	i=ratio	n2 r/min	Kw=P1	Nm=T2	f.s.	Possible types of motor connections	
CH 07	7	200	4	170	1.1	100/90	B5/B14
	10	140	3	175	1.3	100/90	B5/B14
	15	93	3	250	1.0	100/90	B5/B14
	20	70	2.20	240	1.0	100/90	B5/B14
	25	56	1.85	250	1.0	90/80	B5/B14
	30	47	1.50	230	1.2	90/80	B5/B14
	40	35	1.1	215	1.2	90/80	B5/B14
	50	28	1.1	220	0.9	90/80	B5/B14
	60	23	0.75	200	1.0	90/80	B5/B14
	80	17	0.55	180	1.0	80/71	B5/B14 *
100	14	0.37	140	1.1	80/71	B5/B14 *	

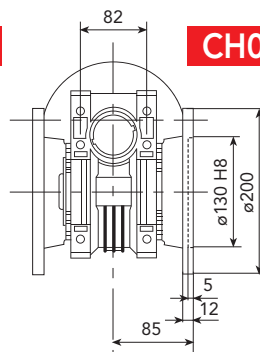
*71 solo B5

Weight Kg 9,2

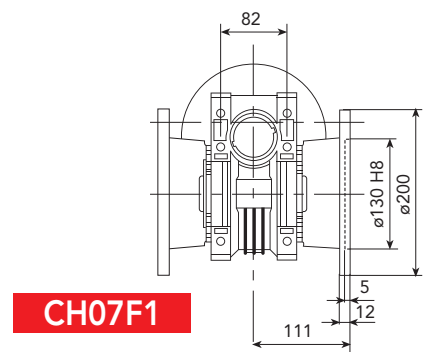
DIMENSIONS



CH07FC 1

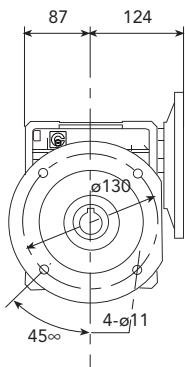


CH07FC 2

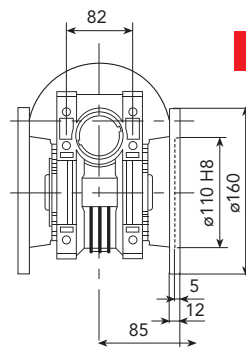


CH07F1

CH07F2



CH07FE1



CH07FE2

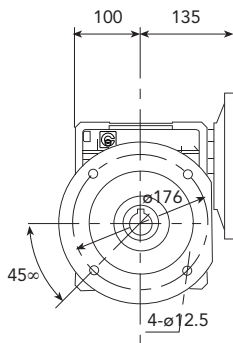
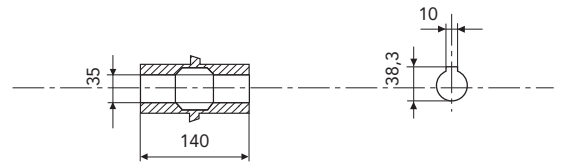
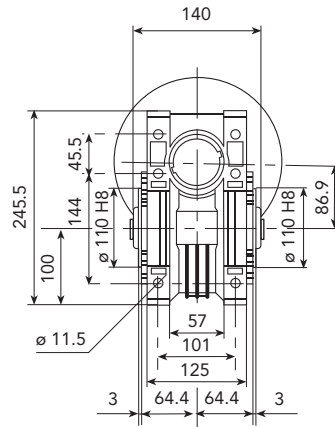
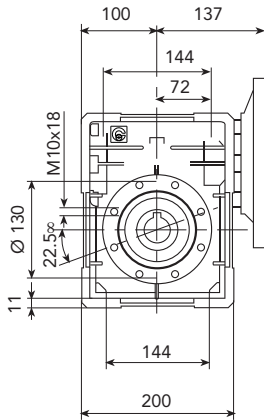


CH 08 - PERFORMANCE WITH 4-POLE MOTORS 1400 REVS. INPUT

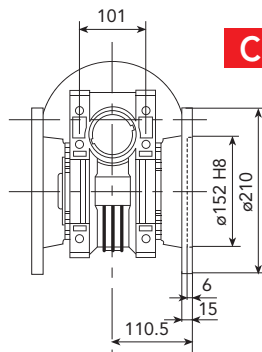
TYPE	i=ratio	n2 r/min	Kw=P1	Nm=T2	f.s.	Possible types of motor connections	
CH 08	7	200	4	170	1.5	112/100/90	B5/B14
	10	140	4	240	1.2	112/100/90	B5/B14
	15	93	4	350	0.9	112/100/90	B5/B14
	20	70	3.00	340	0.9	100/90	B5/B14
	23	61	2.20	280	1.1	100/90	B5/B14
	30	47	2.20	340	1.1	100/90	B5/B14
	40	35	1.85	340	0.9	90/80	B5/B14
	46	30	1.5	340	1.0	90/80	B5/B14
	56	25	1.1	290	1.0	90/80	B5/B14
	64	22	1.1	290	0.9	90/80	B5/B14
	80	17	0.75	260	1.0	90/80	B5/B14
	100	14	0.55	220	1.0	80	B5/B14

Weight Kg 12,2

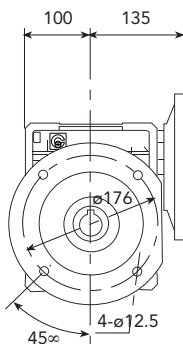
DIMENSIONS



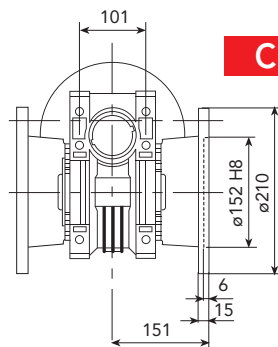
CH08FC 1



CH08FC 2



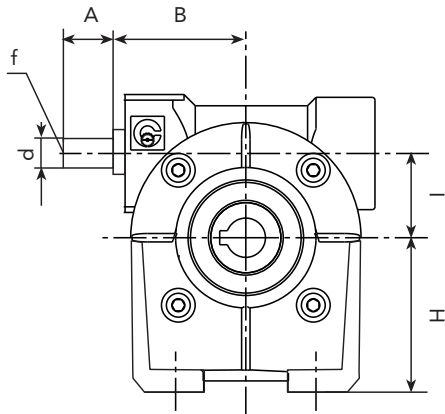
CH08F1



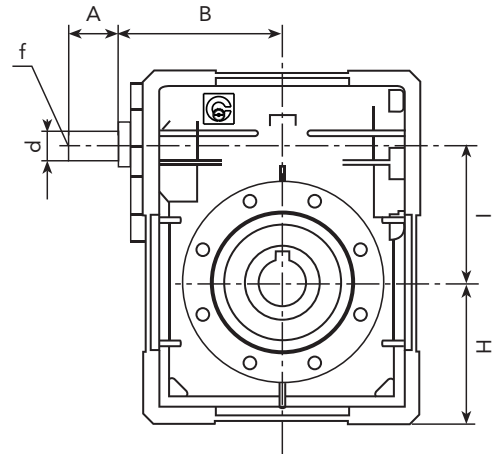
CH08F2



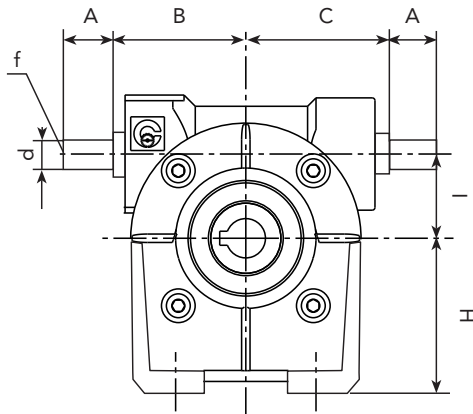
CHR 03-04-05



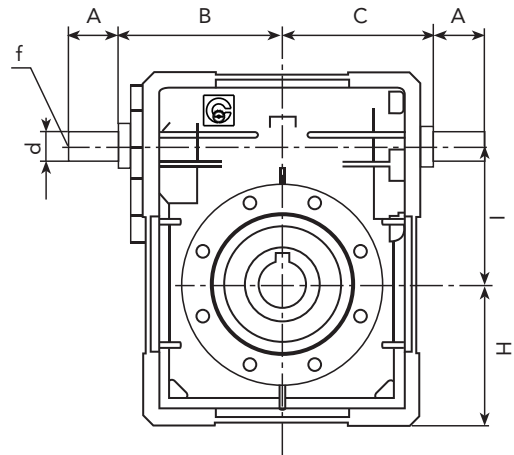
CHR 06-07-08



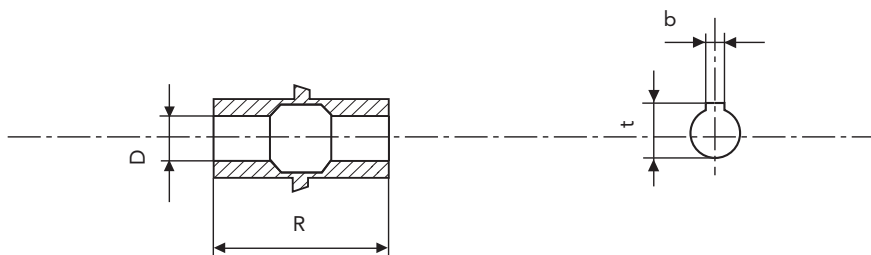
CHRE 03-04-05



CHRE 06-07-08



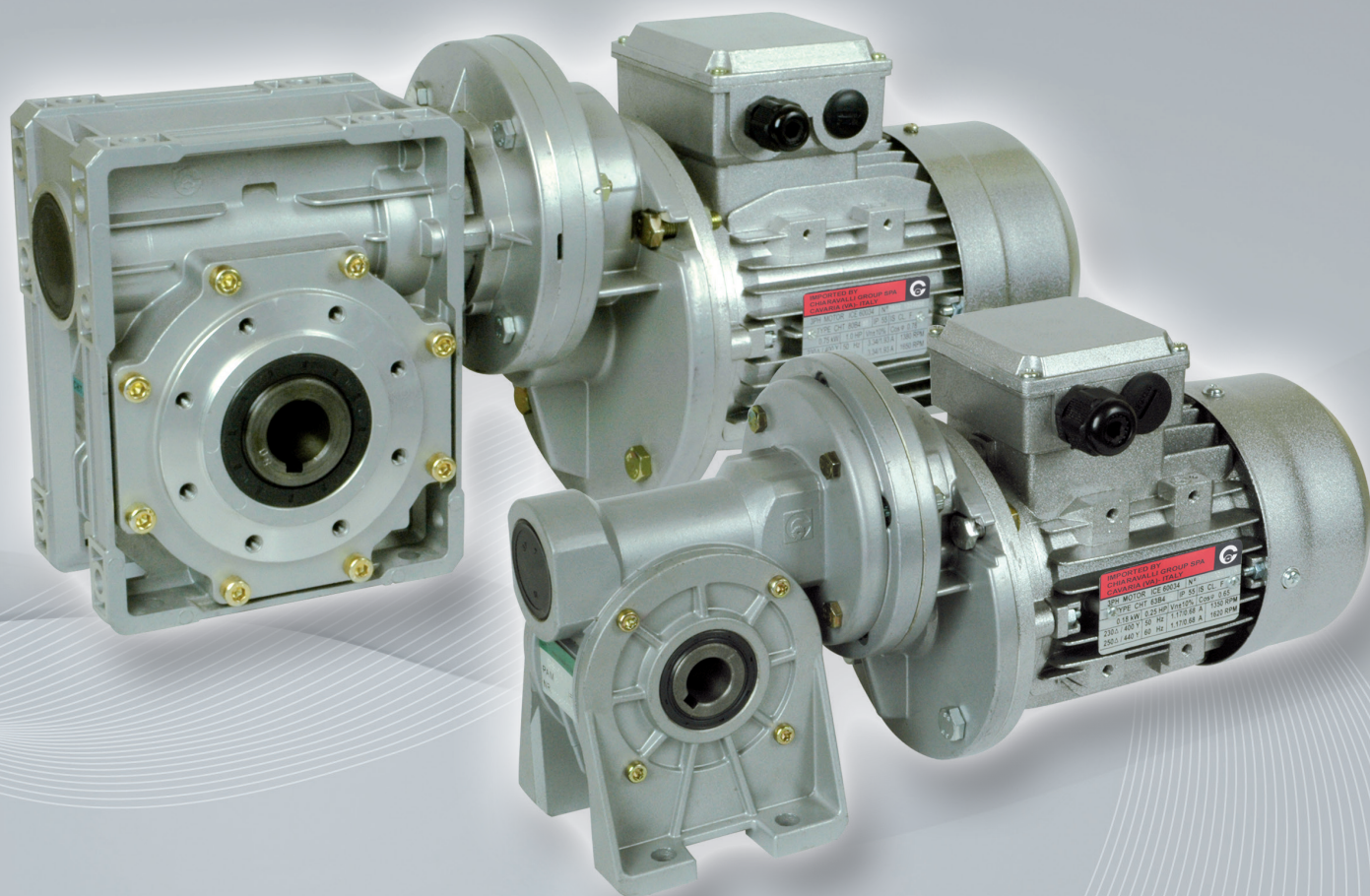
OUTPUT SHAFT DIMENSIONS



TYPE	A	B	C	D(H7)	d(h6)	f	H	I	R	b	t
CHR 03	20	50	/	14	9	/	55	30	55	5	16.3
CHR 04	30	54	/	18	11	/	72	44.6	64	6	20.8
CHR 05	40	65	/	25	16	M6	82	49.5	82	8	28.3
CHR 06	40	110.5	/	25	18	M6	72.5	62.17	120	8	28.3
CHR 07	40	128	/	30	19	M6	87	75	127	8	33.3
CHR 08	50	144	/	35	25	M8	100	86.9	140	10	38.8
CHRE 03	20	50	50	14	9	/	55	30	55	5	16.3
CHRE 04	30	54	56	18	11	/	72	44.6	64	6	20.8
CHRE 05	40	65	65	25	16	M6	82	49.5	82	8	28.3
CHRE 06	40	110.5	74	25	18	M6	72.5	62.17	120	8	28.3
CHRE 07	40	128	88.5	30	19	M6	87	75	127	8	33.3
CHRE 08	50	144	101.5	35	25	M8	100	86.9	140	10	38.3

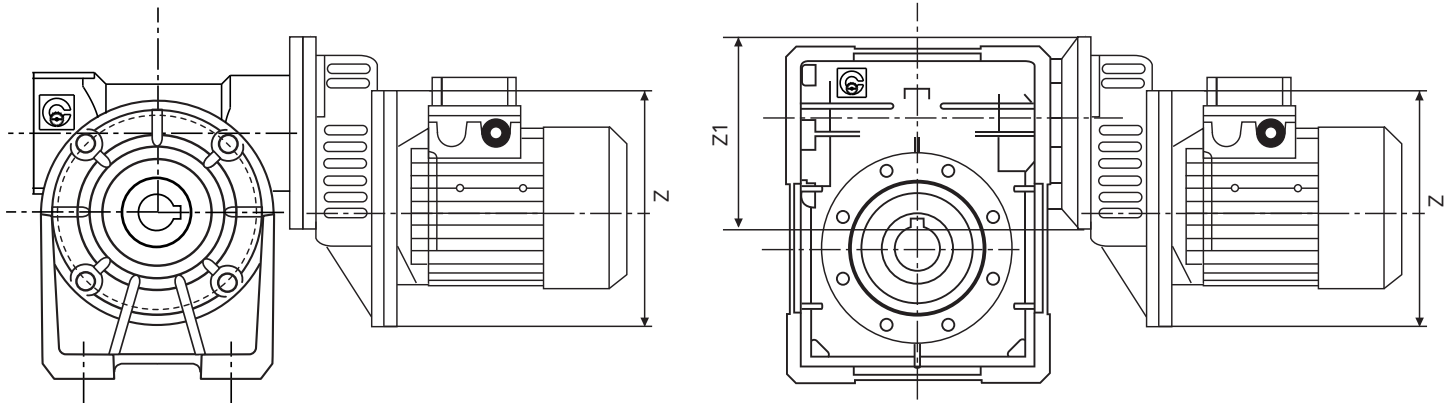


CHPC/CH - WORM GEAR WITH PRE-STAGE MODULE





WORM GEAR WITH PRE-STAGE MODULE



	Z	Z1
CHPC 63	11/140	11/105
CHPC 71	14/160	14/120
CHPC 80	19/200	19/160

WARNING: The gearbox connected with the pre-stage must have input dimension Z1

DESIGNATION	CHPC / CH - CH..P	CHPC / CHE - CH..P	
TYPE	SIZE	i =	M.M.F.
CHPC	63	3	63B5
	71	3	71B5
	80	3	80B5

ORDER EXAMPLE

CHPC 71 CH 05 i= 108(3x36) M.M.F. 71

If the motor is also required, please specify:

Size es. 71 B4
 Power es. Kw 0.37
 Poles es. 4
 Voltage es. V230/400
 Frequency es. 50 Hz

2D and 3D drawings available on the web site www.chiaravalli.com
 Quantity, availability and prices with Chiaravalli B2B



CHPC/CH - PERFORMANCE WITH 4-POLE MOTORS 1400 REVS. INPUT

TYPE	i=ratio	n2 r/min	Kw=P1	Nm=T2
CHPC63 CH 04	105	13.3	0.12	42
	138	10.1	0.12	42
	180	7.8	0.12	46
	210	6.7	0.12	40
	300	4.7	0.12	36

TYPE	i=ratio	n2 r/min	Kw=P1	Nm=T2
CHPC71 CH 05	84	16.7	0.25	80
	108	12.9	0.25	90
	135	10.4	0.25	90

TYPE	i=ratio	n2 r/min	Kw=P1	Nm=T2
CHPC71 CH 07	120	11.7	0.55	280
	150	9.3	0.37	215
	180	7.8	0.37	235
	240	5.8	0.37	210
	300	4.7	0.25	275

TYPE	i=ratio	n2 r/min	Kw=P1	Nm=T2
CHPC71 CH 08	168	8.3	0.55	350
	192	7.3	0.37	280
	240	5.8	0.37	290
	300	4.7	0.37	275

TYPE	i=ratio	n2 r/min	Kw=P1	Nm=T2
CHPC63 CH 05	108	12.9	0.18	72
	135	10.4	0.18	85
	180	7.8	0.12	65
	210	6.7	0.12	67
	240	5.8	0.12	58
	300	4.7	0.12	56

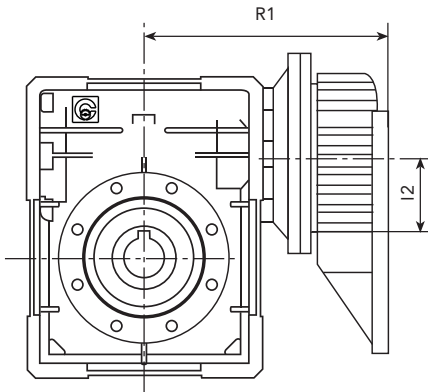
TYPE	i=ratio	n2 r/min	Kw=P1	Nm=T2
CHPC71 CH 06	114	12.3	0.37	170
	135	10.4	0.37	176
	192	7.3	0.25	149
	240	5.8	0.25	130
	300	4.7	0.25	120

TYPE	i=ratio	n2 r/min	Kw=P1	Nm=T2
CHPC80 CH 07	90	15.6	0.75	310
	120	11.7	0.75	300
	150	9.3	0.55	260

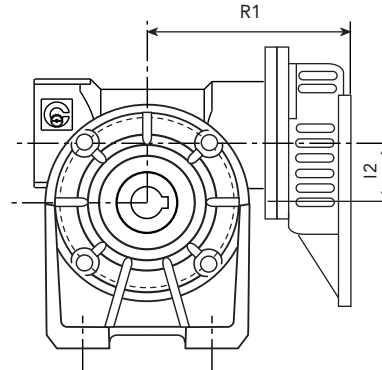
TYPE	i=ratio	n2 r/min	Kw=P1	Nm=T2
CHPC80 CH 08	120	11.7	0.75	390
	138	10.1	0.75	360
	168	8.3	0.55	350
	192	7.3	0.55	330
	240	5.8	0.55	305

DIMENSIONS

CHPC.. /CH 06-07-08



CHPC.. /CH 04-05



For other dimensions see pages 65 - 66 - 70 - 71 and 72 of the catalogue.

CHPC - CH	R1	I2
63 + 04	110	40
63 + 05	115	40
71 + 05	123	50
71 + 06	154	50
71 + 07	176	50
80 + 07	197	63
71 + 08	189	50
80 + 08	210	63

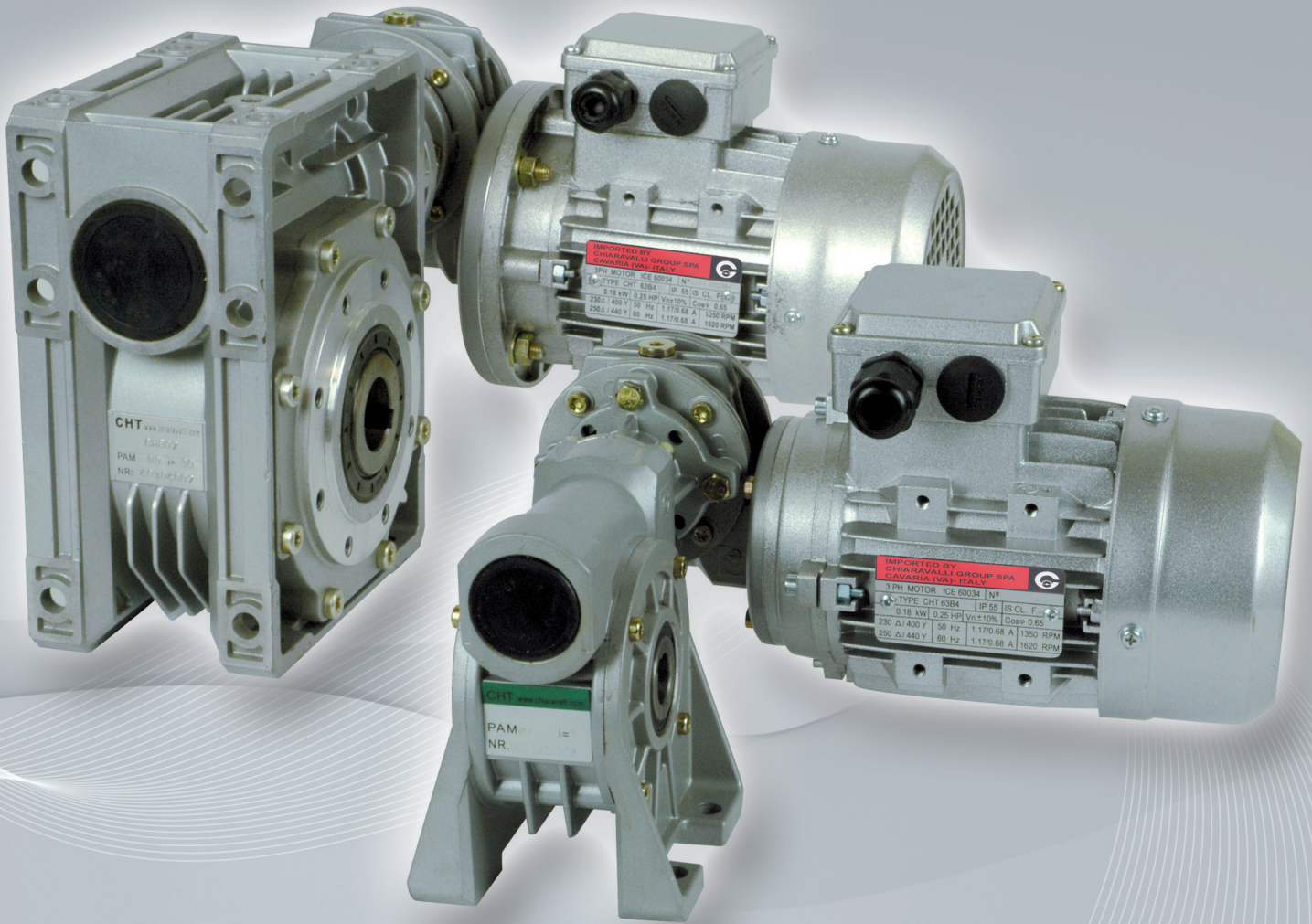
The choice of power installed is tied to the unification of the motors, therefore it is sometimes in exuberance compared to the gear; always verify the maximum torque indicated when making the selection and if in doubt please contact our technical office.

2D and 3D drawings available on the web site www.chiaravalli.com

Quantity, availability and prices with Chiaravalli B2B



CH - CH DOUBLE WORM GEAR





CH - CH DOUBLE WORM GEARS

DESIGNATION CH(R)/CH - CH(R)/CH..P

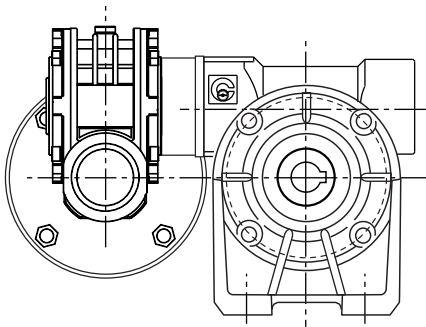
TYPE	SIZE	VERSION	FLANGE POS. (1)	i	EXEC.	M.M.F.
CH/CH	03/04	F	1	RATIO SEE PAGE 80	OAD	63B5
CH/CH..P	03/05	FA	2		OAS	63B14
CHR/CH		(2)			OBD	56B5
CHR/CH..P					OBS	56B14
					VAD	
					VAS	
					VBD	
					VBS	

TYPE	SIZE	VERSION	FLANGE POS. (1)	i	EXEC.	M.M.F.
CH/CH	03/06	FC	1	RATIO SEE PAGE 80	OAD	71B5
CH/CH..P	04/07	F	2		OAS	71B14
CHR/CH	04/08	(3)			OBD	63B5
CHR/CH..P					OBS	63B14
					VAD	56B5
					VAS	56B14
					VBD	
					VBS	

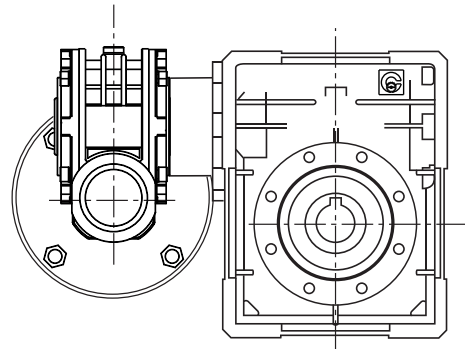
DIMENSIONS OF CH/CH COMBINED GEARS

78

CH 03/CH 04-05



CH 03/CH 06



CH 04/CH 07-08

For the executions see the table with drawings on page 73, if not specified OBS would be supplied.



ORDER EXAMPLE

CH/CH	03/05P	FA	2	315	OBS	56B14
-------	--------	----	---	-----	-----	-------

If the motor is also required, please specify:

Size	es. 56 C4
Power	es. Kw 0.09
Poles	es. 4
Voltage	es. V230/400
Frequency	es. 50 Hz
Flange	es. B14

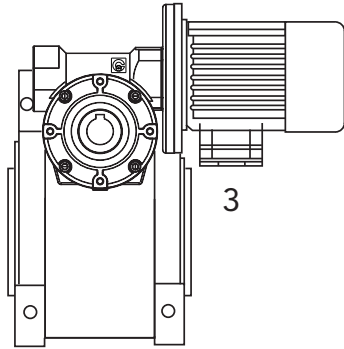
1) see page 63 and 69

2) lack of instructions indicates that the gear is not equipped with an output flange. In this case the group can be fixed on feet CH/CH or be swinging CH/CH..P

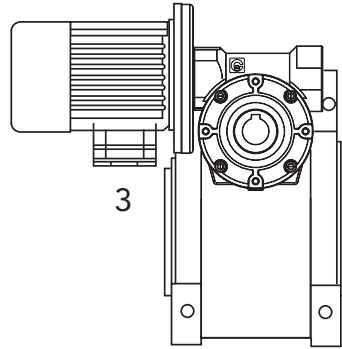
3) lack of instructions indicates that the gear is not equipped with an output flange.



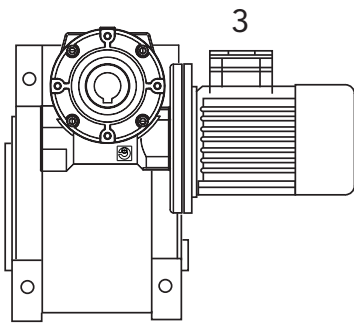
OAD



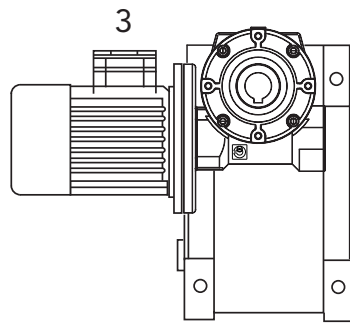
OAS



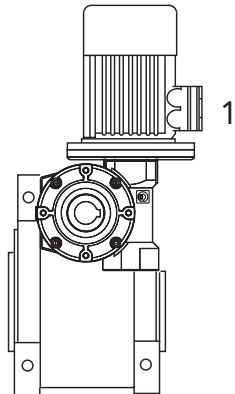
OBD



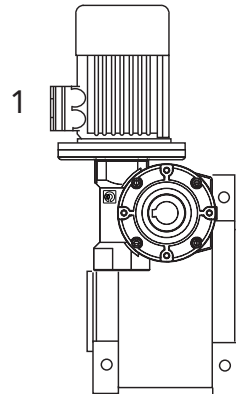
OBS



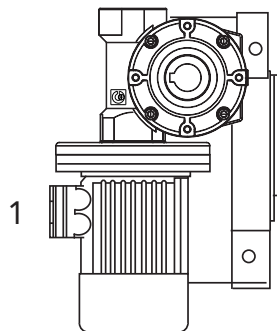
VAD



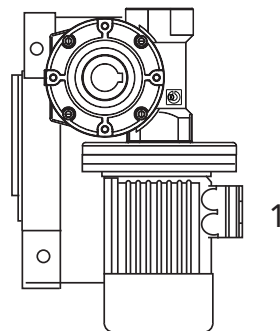
VAS



VBS



VBD



The execution determines the mounting position of the first gear in relation to the second gear. If not otherwise specified at the time of order, the group will be supplied in the OBS execution. The placing position refers to the second gear.



CH - CH PERFORMANCE WITH 4-POLE MOTORS 1400 REVS. INPUT

TYPE	i=ratio	n2 r/min	Kw=P1	Nm=T2
	245	5.7	0.09	58
	350	4.0	0.09*	58
	420	3.3	0.09*	58
CH	560	2.5	0.09*	58
03/04	700	2.0	0.09*	58
	840	1.7	0.09*	58
	1120	1.3	0.09*	58
	1680	0.8	0.09*	58
	2100	0.7	0.09*	58
	2760	0.5	0.09*	50

TYPE	i=ratio	n2 r/min	Kw=P1	Nm=T2
	240	5.8	0.12	77
	315	4.4	0.12	90
	420	3.3	0.09	90
CH	540	2.6	0.09	90
03/05	720	1.9	0.09*	90
	900	1.6	0.09*	90
	1120	1.3	0.09*	90
	1440	0.9	0.09*	90
	2160	0.6	0.09*	90
	2700	0.5	0.09*	90

TYPE	i=ratio	n2 r/min	Kw=P1	Nm=T2
	240	5.8	0.22	160
	315	4.4	0.22	180
	450	3.1	0.18	200
CH	570	2.5	0.12	180
03/06	720	1.9	0.12	200
	900	1.6	0.12	200
	1200	1.2	0.12	200
	1520	0.9	0.09*	200
	2280	0.6	0.09*	200
	2700	0.5	0.09*	200

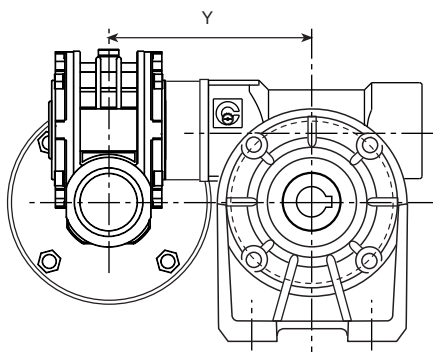
TYPE	i=ratio	n2 r/min	Kw=P1	Nm=T2
	250	5.6	0.37	360
	300	4.7	0.37	360
	400	3.5	0.25	315
CH	525	2.7	0.25	360
04/07	700	2.0	0.18	360
	920	1.5	0.18	360
	1200	1.2	0.12	360
	1500	0.93	0.12*	360
	2100	0.67	0.12*	360
	2800	0.5	0.12*	360

TYPE	i=ratio	n2 r/min	Kw=P1	Nm=T2
	230	5.6	0.55	460
	300	4.7	0.55	490
	400	3.5	0.55	490
CH	525	2.7	0.37	490
04/08	700	2.0	0.37	490
	920	1.5	0.25	490
	1380	1.2	0.18	490
	1840	0.93	0.18	490
	2116	0.67	0.12	490
	2760	0.5	0.12	490

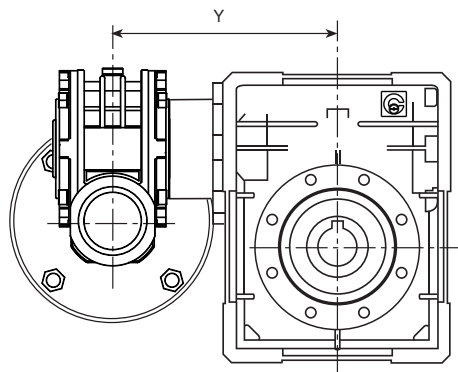
* The powers marked with an asterisk are higher than those that the gear allows, therefore the applicative choice must be made in accordance with the torque and not with the power.

DIMENSIONS OF CH/CH COMBINED GEARS

CH 03/CH 04-05



CH 03/CH 06



CH 04/CH 07-08

	Y
CH 03/04	120.5
CH 03/05	125.5
CH 03/06	165
CH 04/07	192
CH 04/08	204.5

For other dimensions see pages 65 - 66 - 70 - 71 and 72 of the catalogue.

The gear ratios are those most frequently requested. It is possible to obtain multiple combinations using the various ratios of the two single gears.

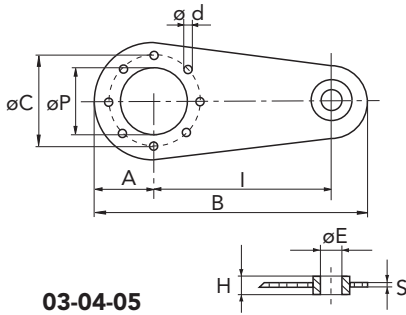
2D and 3D drawings available on the web site www.chiaravalli.com

Quantity, availability and prices with Chiaravalli B2B

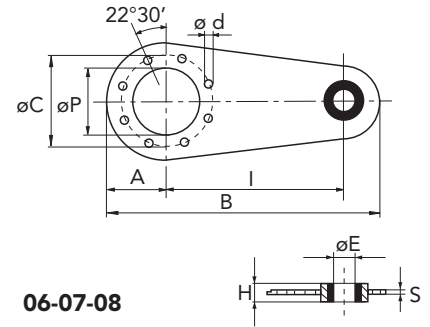
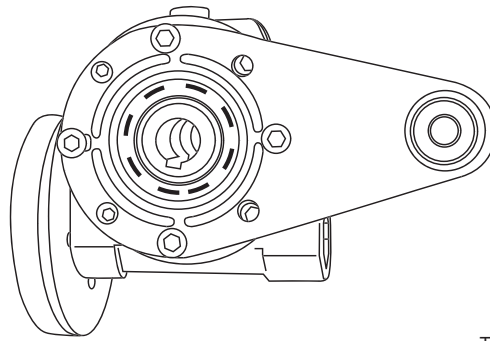


TORQUE ARM

TYPE	I	A	B	Ø P	Ø C	Ø d	H	øE	S
CH 03	100	40	157.5	50	65	7	14	8	4
CH 04	100	40	157.5	50	65	7	14	8	4
CH 05	100	55	172.5	68	94	7	14	8	4
CH 06	150	52.5	232.5	75	90	9	20	10	6
CH 07	200	62.5	300	90	110	9	25	20	6
CH 08	200	75	312.5	110	130	11	25	20	6



03-04-05



06-07-08

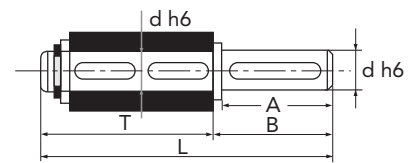
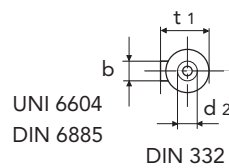
* Without anti vibration bush

The anchoring point of the torque arm is equipped with a vibration resistant bushing.



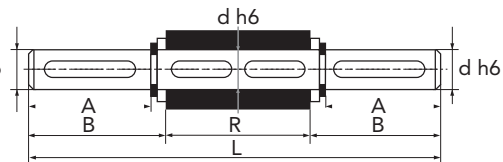
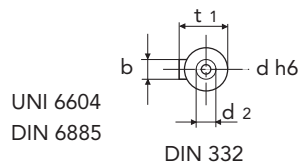
SINGLE OUTPUT SHAFT KIT

TYPE	A	Ø d	B	b	t1	T	L	d2	ød1
CH 03	30	14	35	5	16	61	96	M5x13	14
CH 04	40	18	45	6	20.5	70	115	M6x16	18
CH 05	60	25	65	8	28	89	154	M8x20	25
CH 06	60	25	65	8	28	127	192	M8x20	25
CH 07	60	30	65	8	33	134	199	M10x22	30
CH 08	60	35	65	10	38	149	214	M10x25	35



DOUBLE OUTPUT SHAFT KIT

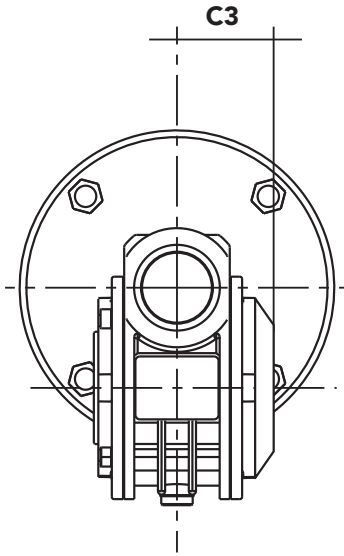
TYPE	A	Ø d	B	R	b	t1	L	d2	ød1
CH 03	30	14	32.5	55	5	16	120	M5x13	14
CH 04	40	18	42.7	64	6	20.5	149.4	M6x16	18
CH 05	60	25	63.2	82	8	28	208.4	M8x20	25
CH 06	60	25	63.2	120	8	28	246.4	M8x20	25
CH 07	60	30	64	127	8	33	255	M10x22	30
CH 08	60	35	64	140	10	38	268	M10x25	35



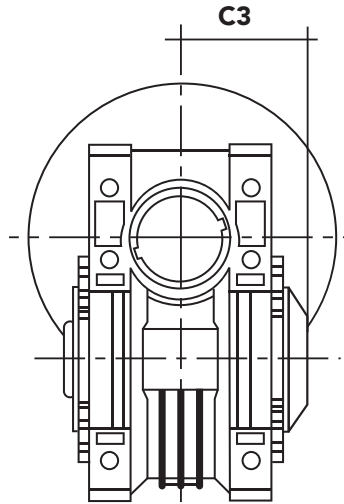


COVER

CH 03-04-05



CH 06-07-08



TYPE	C3
03	37
04	42
05	55
06	70
07	85,5
08	93,5



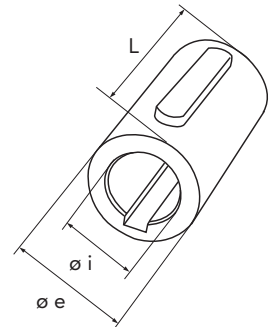
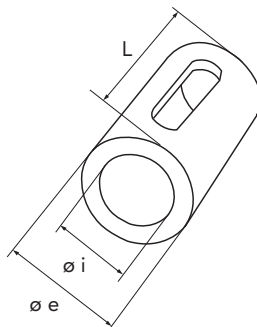
REDUCTION BUSHINGS KIT

SINGLE				
TYPE	$\phi i / \phi e$	L	tongues	Weight for kit kg
CHT BRM-S	9/11	20	4/3 x 4 x 11 RB*	0.006
CHT BRM-S	11/14	30	5/4 x 6 x 10 RB*	0.015
CHT BRM-S	14/19	40	6 x 5 x 30 *	0.045
CHT BRM-S	19/24	50	6 x 5.5 x 20 * 8 x 5.5 x 40 *	0.07
CHT BRM-S	24/28	60	8 x 9 x 40 *	0.08
CHT BRM-S	28/38	80	10 x 7 x 60 *	0.33
CHT BRM-S	38/42	110	12/10 x 10 x 48 RB*	0.22

DOUBLE				
TYPE	$\phi i / \phi e$	L	tongues	Weight for kit kg
CHT BRM-D	11/19	40	6 x 6 x 30 *	0.06
CHT BRM-D	14/24	50	8 x 7 x 40 A	0.12
CHT BRM-D	19/28	60	8 x 7 x 50 A	0.16
CHT BRM-D	24/38	80	10 x 8 x 60 A	0.44

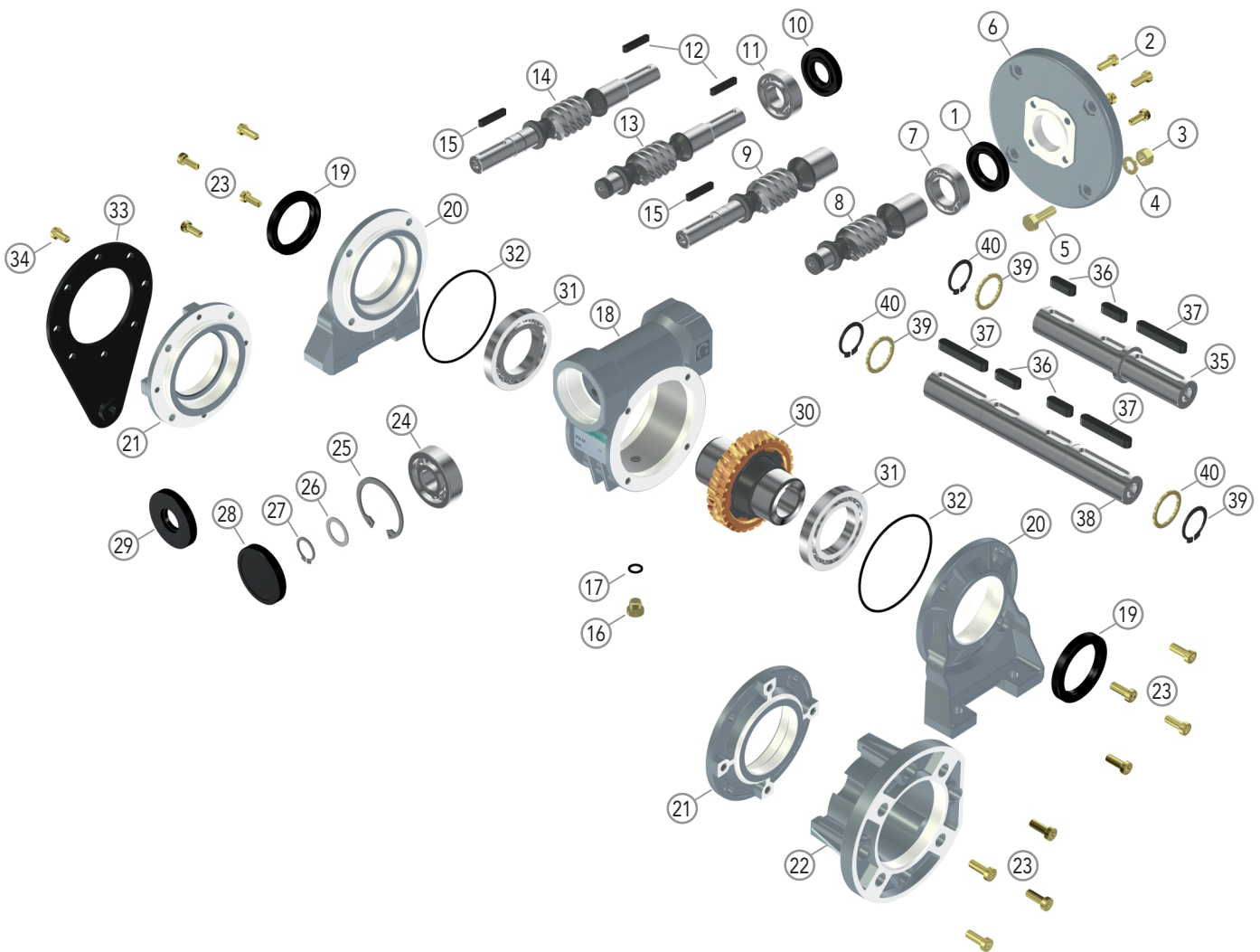
* to drawing

Tongue acc. to UNI 6604 - DIN 6885
Quenched

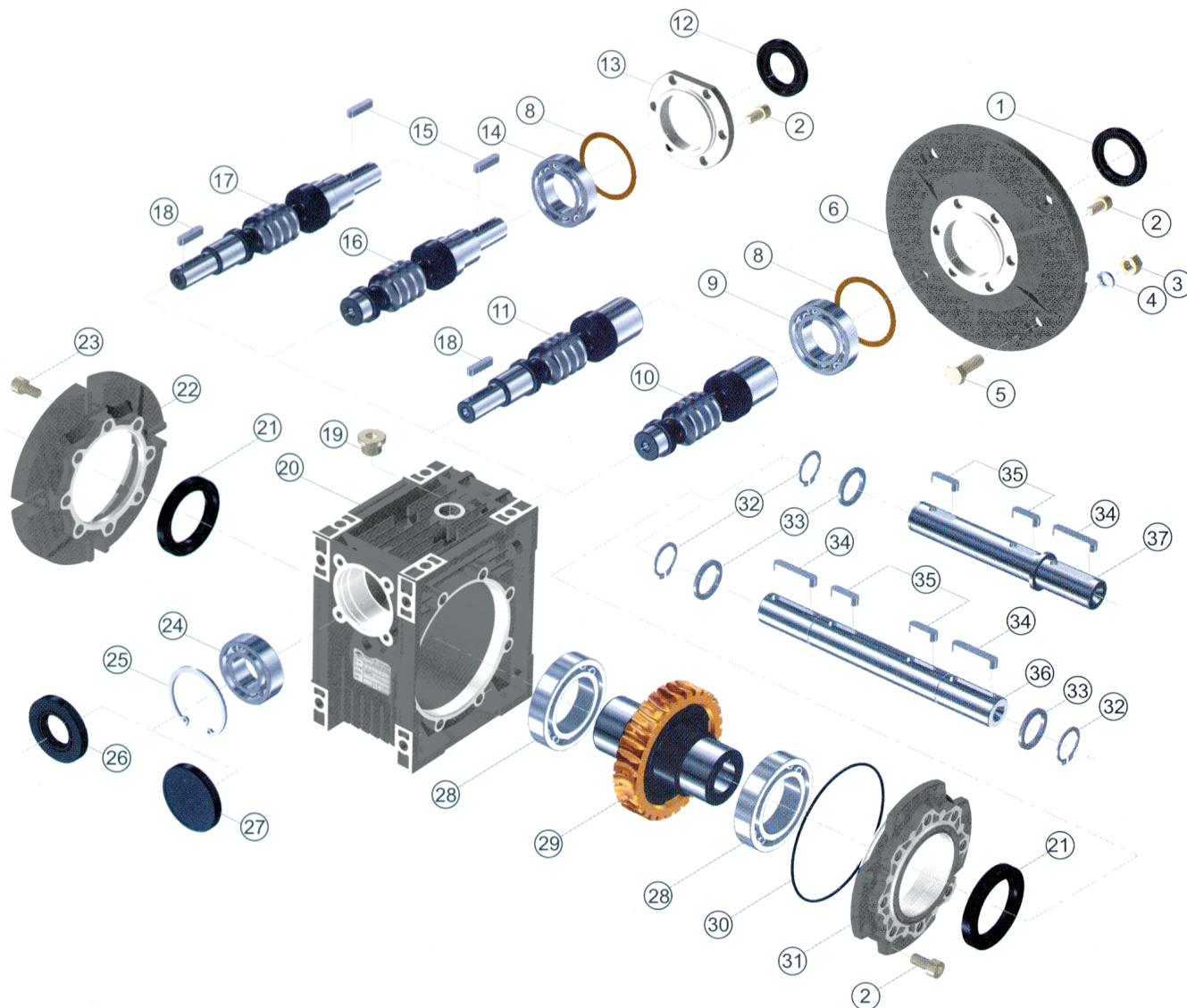


2D and 3D drawings available on the web site www.chiaravalli.com

Quantity, availability and prices with Chiaravalli B2B



1	OIL SEAL	21	SIDE COVER
2	SCREW	22	OUTPUT FLANGE
3	NUT	23	SCREW
4	WASHER	24	BEARING
5	SCREW	25	SEEGER
6	MOTOR CONNECTION FLANGE	26	SPACER
7	BEARING	27	SEEGER
8	HOLE INPUT WORM	28	CAP
9	HOLE INPUT AND SHAFT OUTPUT WORM	29	OIL SEAL
10	OIL SEAL	30	WORM WHEEL
11	BEARING	31	BEARING
12	KEY	32	O-RING
13	SHAFT INPUT WORM	33	BRACCIO DI REAZIONE
14	DOUBLE EXTENDED INPUT SHAFT WORM	34	SCREW
15	KEY	35	SINGLE OUTPUT SHAFT
16	OIL PLUG	36	KEY
17	GASKET	37	KEY
18	CASING	38	DOUBLE OUTPUT SHAFT
19	OIL SEAL	39	SPACER
20	FOOT COVER	40	SEEGER



1	OIL SEAL	20	CASING
2	TORX SCREW	21	OIL SEAL
3	NUT	22	OUTPUT FLANGE
4	WASHER	23	EMBEDDED HEXAGONAL-HEAD SCREW
5	HEXAGONAL-HEAD SCREW	24	BEARING
6	MOTOR CONNECTION FLANGE	25	SEEGER
8	ADJUST SPACER	26	OIL SEAL
9	BEARING	27	CAP
10	HOLE INPUT WORM	28	BEARING
11	HOLE INPUT AND SHAFT OUTPUT WORM	29	WORM WHEEL
12	OIL SEAL	30	O-RING
13	INPUT COVER	31	OUTPUT COVER
14	BEARING	32	SEEGER
15	KEY	33	SPACER
16	SHAFT INPUT WORM	34	KEY
17	DOUBLE EXTENDED INPUT SHAFT WORM	35	KEY
18	KEY	36	DOUBLE OUTPUT SHAFT
19	OIL PLUG	37	SINGLE OUTPUT SHAFT



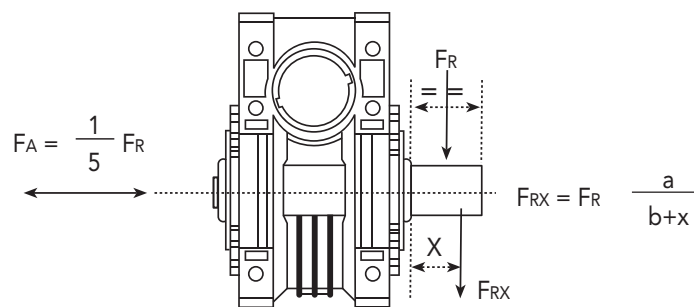
CH RADIAL LOADS ON THE OUTPUT SHAFT

The loads indicated are valid for all application directions.

The maximum allowable axial loads are equal to 1/5 of the radial load value shown in the table when applied with the same radial load; if this is not the case, please contact our technical office. If double output shafts are used, the sum of radial loads applicable to the centre lines of the two ends of the shaft must not exceed the value shown in the table below.

The radial loads related to the output speed (n2)=10 are the maximum loads supported by the gear.

- a | GEAR CONSTANT
- b | GEAR CONSTANT
- x | LOAD DISTANCE FROM SHAFT SHOULDER IN mm.
- F_{RX} | RADIAL LOAD IN POSITION X (IN N)
- F_R | RADIAL LOAD (N)
- F_A | AXIAL LOAD (N)



SIZES

Output speed	03	04	05	06	07	08
400	490	720	1000	1450	1800	2020
250	580	860	1190	1720	2140	2420
150	690	1010	1400	2020	2510	2840
100	790	1160	1600	2330	2880	3260
60	940	1380	1910	2770	3440	3880
40	1070	1570	2160	3130	3890	4380
25	1260	1850	2550	3700	4590	5180
10	1700	2500	3450	5000	6200	7000

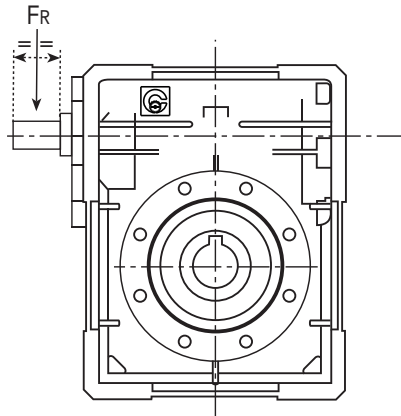
CONSTANTS' VALUES						
a	60	71	99	130	136	146
b	45	51	69	102	108	118

2D and 3D drawings available on the web site www.chiaravalli.com

Quantity, availability and prices with Chiaravalli B2B



RADIAL LOADS ON THE CENTRE LINE OF THE INPUT SHAFT



SIZES

	03	04	05	06	07	08
Fr max	100	150	220	700	975	1150

Notes: value of tables are in N



INSTALLATION

- The data shown on the identification name plate must correspond to the gear ordered.
- All the gears are supplied complete with permanent synthetic oil in a quantity that is sufficient for any assembly position.
- The gear must be fixed on a flat surface that is sufficiently rigid in order to avoid any vibration.
- The gear and the axis of the machine to be driven must be perfectly aligned.
- In the event that knocks, overloading or blockage of the machine are foreseen, the client must install a limiting device, joints, overload cut-out etc.
- Coupling with pinions, joints, pulleys and other parts must be done after the parts have been cleaned and knocks should be avoided whilst assembling as they could damage the bearings and other internal parts.
- In the event that the motor is supplied by the client, he must check that the flange and shaft tolerances correspond to a "normal" class; our motors satisfy this requirement.
- Check that the fixing screws for the gear and the related accessories are correctly tightened.
- Take suitable measures to protect the groups from any aggressive atmospheric agents.
- Where foreseen, protect rotating parts from any possible contact with the operators.
- If the gears are painted, protect the oil seals and the machined surfaces.
- All of the gears are painted RAL 9022 grey.

OPERATION AND RUNNING-IN

- To obtain the best performance the gears must first be run in by gradually increasing the power in the first few hours of operation, in this phase an increase in temperature is considered normal.
- In the event of defective operation, noise, oil leakage, etc. stop the gear immediately and, when possible, remove the cause. Alternatively, send the piece to our factory to be controlled.

MAINTENANCE

- The worm gears from size 03 to size 08 and the pre-stage modules are lubricated with permanent synthetic oil and therefore do not require any maintenance.

WAREHOUSE STORAGE

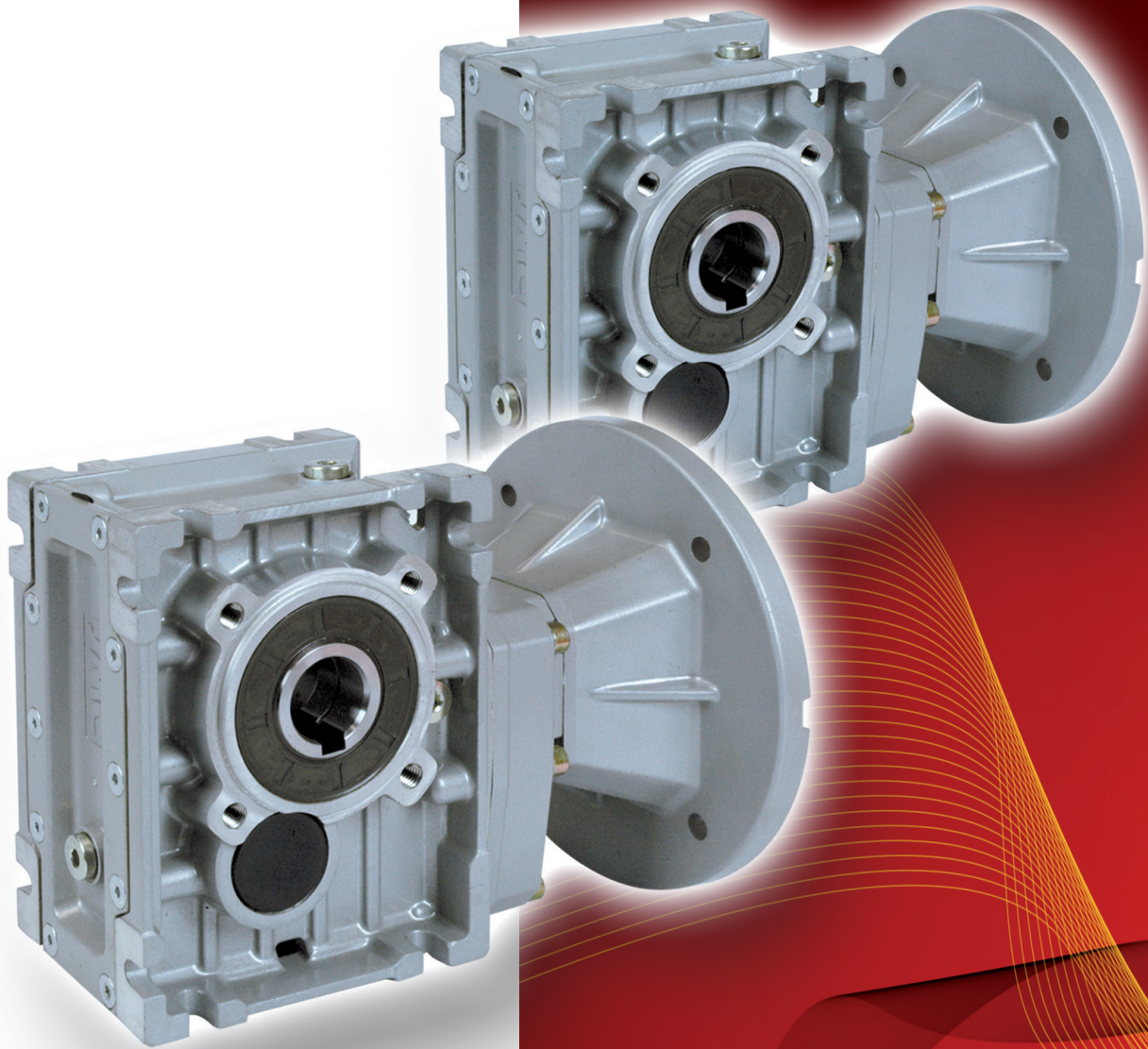
- If the warehouse storage will be for a long time, more than 3 months, the shafts and machined surfaces should be protected using antioxidants and the oil seals should be greased.

HANDLING

- Care must be taken not to damage the oil seals and the machined surfaces when handling the groups.

DISPOSAL OF PACKAGING

- The packaging in which our gears are delivered should be sent to specialised companies for recycling if possible.



CHO HELICAL-HYPOID GEAR UNITS



CHO helical hypoid gear units have been conceived to be used instead of worm gearboxes where high efficiency is requested, especially with high ratios, they are interchangeable and guarantee low exercise temperature.

They can be connected, through a coupling to standard motors, brake motors and explosion-proof motors.

This kind of gearboxes are widely used where energy saving is requested and with electric motors driven by inverters.

PRODUCT FEATURES

- High efficiency
- Low noise
- Low temperature
- Universal mounting
- Aluminum housing, grey RAL 9022 painted

CHO gearboxes are manufactured in 4 sizes.

Power 0.12-4KW

Ratio 7,5-300

Torque max 130-500 Nm.



GENERAL INFORMATION

POWER P

$$P_1 \cdot \eta = P_2$$

P_1 = Input power

P_2 = Output power

η = Transmission efficiency

ROTATION SPEED n

n_1 = Input speed

n_2 = Output speed

An output speed ≤ 1400 rpm is suggested so as to optimize the working condition and extend the service life.

Input speed higher are allowed following the table below.

n. RPM	POWER
--------	-------

1400

Kw

2000

Kw * 1,35

2800

Kw * 1,8

TRANSMISSION RATIO i

$$i = \frac{n_1}{n_2}$$

TORQUE M

$$M_2 = \frac{9550 \cdot P_1 \cdot \eta}{n_2} \text{ [Nm]}$$

$$M_2 \geq M_{2n} \cdot f_s \text{ [Nm]}$$

M_2 = Output torque

M_{2n} = Rated output torque

P_1 = Input power

η = Transmission efficiency

f_s = Service factor



RADIAL LOADS F_R

The radial loads is proportional to the requested torque and inversely proportional to the transmission member diameter following this formula.

$$F_R = \frac{2000 \cdot T \cdot T.e.f.}{D} \left[N \right]$$

F_R = Radial load
 T = Nm (Torque)
 $T.e.f.$ = Transmission element factor
 $T.e.f.$ = 1,15 gear
 = 1,4 chain sprocket
 = 1,75 v-pulley
 = 2,5 flat-pulley
 D = Transmission element diameter

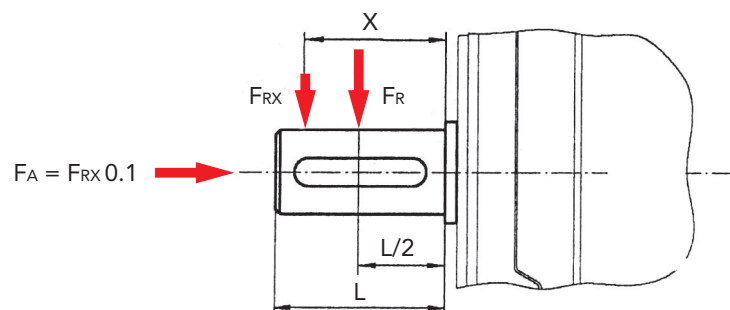
When the radial loads is not applied on the centre line of the shaft it is necessary to use the following formula.

$$F_{Rx} \leq \frac{F_R \cdot a}{(b+x)} \left[N \right]$$

F_R = Radial load on the centre line
 a, b, x = See table



OUTPUT SHAFT RADIAL LOADS & AXIAL LOADS F_R, F_A



	CHO 52	CHO 53	CHO 62	CHO 63	CHO 72	CHO 73	CHO 82	CHO 83
a	104	104	128	128	135	135	148.5	148.5
b	78	70	98	98	105	105	118.5	118.5



TYPES OF LUBRICATION

		ISO	SHELL	MOBIL	BP	Lubrication type
CHO	standard -10 +40	VG 220	Shell Omala 220	Mobilgear 630	BP Energol GR-XP 220	Mineral Oil
	-20 +25	VG 150 VG 100	Shell Omala 100	Mobilgear 627	BP Energol GR-XP 100	
	-30 +10	VG 68-46 VG 32	Shell Tellus T 32	Mobil D.T.E. 13M		
	-40 -20	VG 22 VG 15	Shell Tellus T 15	Mobil D.T.E. 11M	BP Energol HLP-HM 15	
	-40 +80	VG 220	Shell Omala HD 150	Mobil SHC 630		Syntetic oil
	-40 +40	VG 150		Mobil SHC 629		
	-40 +10	VG 32		Mobil SHC 624		

LUBRICANT FILL QUANTITY

The specified fill quantities are recommended values. The precise values vary depending on the number of stages and gear ratio. The following tables show guide values for lubricant fill quantities in relation to the mounting position (B3, B6, B7...)

92

size	fill quantity in liters					
	B3	B6	B7	B8	V5	V6
CHO 52	0.22	0.20	0.13	0.15	0.25	0.14
CHO 53	0.07	0.04	0.04	0.05	0.08	0.09
CHO 62	0.38	0.35	0.25	0.26	0.44	0.25
CHO 63	0.07	0.04	0.04	0.05	0.08	0.09
CHO 72	0.66	0.60	0.45	0.48	0.78	0.47
CHO 73	0.13	0.09	0.09	0.09	0.15	0.17
CHO 82	1.15	0.93	0.70	0.74	1.25	0.75
CHO 83	0.13	0.09	0.09	0.09	0.15	0.17

CHO gearboxes are supplied complete with mineral oil for mounting position B3. The pre-stage used for third stage is lubricated with syntetic oil and it does not need the breather plug.

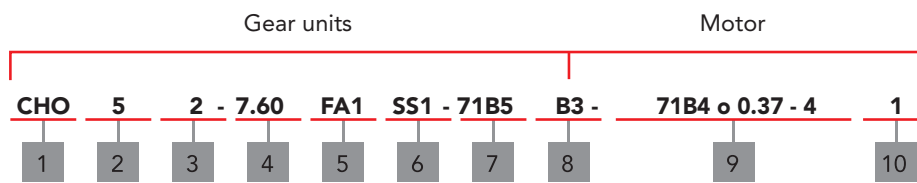


MAINTENANCE

- 1 For gear units, first oil change should be after about 300 hour (run-in period). Never mix the synthetic oil and mineral oil together.
- 2 Every 3000 working time, at least every 6 months, you have to check the oil and oil level, the seals visually for leakage. For IEC input gear units, the elastomer should be tested or replaced if necessary.
- 3 Depending on the operating conditions every 3 years at the latest for inspection is needed. Then change the mineral oil and replace the bearing grease.
- 4 Depending on the operating conditions, change the oil seals.
- 5 Verify that the coupling used to connect the motor is always greased to avoid risks of wear.



DESIGNATION



No	Comments
1	Code for gear units series CHO
2	Sizes of gear units 5-6-7-8
3	2 means 2 stages 3 means 3 stages
4	Speed ratio of reducer $i=$
5	1) no mark means without output flange 2) FA, FB, FC, FD, FE (1/2) : output flange and position
6	1) no mark means hole output 2) SS(1/2) : single output shaft and position 3) DS : double output shaft
7	Inout flange code (63B5, 71B5 ...)
8	Installation position code
9	1) no mark means without motor 2) model motors (poles of power)
10	Position diagram for motor terminal box

Order example

CHO 82 15.09 - FA1 - 71B5 - 71C4/3



RATIO AND IEC MOTOR ADAPTERS

CHO 52/53		n ₁ = 1400 r/min						130Nm			
i nominal	i actual	n ₂ [r/min]	M _{2n} [Nm]	P1=Kw	M1	F.S.	F _{r2} [N]	63B5	71B5 71B14	80B5 80B14	90B5 90B14

3 stages

CHO 53

300	291.79	4.8	110	0.12	183	0.60	4100				
250	244.29	5.8	130	0.12	173	0.75	4100				
200	200.44	7.0	130	0.12	137	0.95	4100				
150	146.67	9.6	130	0.18	151	0.86	4000				
125	120.34	12	130	0.18	124	1.05	3770				
100	101.04	14	130	0.25	144	0.90	3560				
75	74.62	19	130	0.37	159	0.82	3220				

2 stages

CHO 52

60	58.36	24	110	0.37	133	0.83	2960				
50	48.86	29	130	0.37	110	1.18	2790				
40	40.09	35	130	0.55	130	1.00	2610				
30	29.33	48	130	0.75	137	0.95	2350				
25	24.07	59	130	0.75	110	1.18	2200				
20	20.21	70	130	1.10	130	1.00	2080				
15	14.92	94	130	1.50	137	0.95	1880				
12.5	12.47	113	120	1.50	114	1.05	1770				
10	10.47	134	110	1.50	96	1.15	1670				
7.5	7.73	182	100	1.50	70	1.42	1510				

94

CHO 62/63		n ₁ = 1400 r/min						200Nm			
i nominal	i actual	n ₂ [r/min]	M _{2n} [Nm]	P1=Kw	M1	F.S.	F _{r2} [N]	63B5	71B5 71B14	80B5 80B14	90B5 90B14

3 stages

CHO 63

300	302.50	4.7	170	0.12	210	0.81	4800				
250	243.57	5.8	200	0.18	250	0.80	4800				
200	196.43	7.2	200	0.25	286	0.70	4800				
150	151.56	9.3	200	0.25	222	0.90	4650				
125	122.22	12	200	0.37	263	0.76	4330				
100	101.27	14	200	0.37	215	0.93	4070				
75	73.33	20	200	0.55	233	0.86	3650				

2 stages

CHO 62

60	60.50	24	170	0.55	205	0.83	3430				
50	48.71	29	200	0.75	217	0.92	3190				
40	39.29	36	200	0.75	180	1.11	2970				
30	30.31	47	200	1.10	200	1.00	2720				
25	24.44	58	200	1.50	217	0.92	2530				
20	20.25	70	200	1.50	180	1.11	2380				
15	14.67	96	200	1.50	135	1.48	2130				
12.5	12.67	111	180	1.50	118	1.53	2030				
10	10.50	134	170	1.50	94	1.80	1910				
7.5	7.60	185	160	1.50	68	2.35	1710				

2D and 3D drawings available on the web site www.chiaravalli.com

Quantity, availability and prices with Chiaravalli B2B



RATIO AND IEC MOTOR ADAPTERS

CHO 72/73		n ₁ = 1400 r/min								350Nm			
i nominal	i actual	n ₂ [r/min]	M _{2n} [Nm]	P1=Kw	M1	F.S.	F _{r2} [N]	63B5	71B5	80B5 80B14	90B5 90B14	100B5 100B14	112B5 112B14

CHO 73

3 stages

300	297.21	4.8	350	0.25	432	0.81	6500						
250	240.89	5.9	350	0.25	350	1.00	6500						
200	200.66	7.0	350	0.25	291	1.19	6500						
150	151.20	9.3	350	0.37	324	1.08	6500						
125	125.95	12	350	0.55	398	0.88	5980						
100	99.22	15	350	0.55	314	1.11	5520						
75	75.45	19	350	0.75	318	1.10	5040						

2 stages

CHO 72

60	59.44	24	350	1.10	394	0.88	4660						
50	48.18	30	350	1.10	324	1.08	4340						
40	40.13	35	350	1.50	350	1.00	4080						
30	30.24	47	350	1.50	269	1.30	3720						
25	25.19	56	350	2.20	318	1.10	3500						
20	19.84	71	350	2.20	269	1.30	3230						
15	15.09	93	350	3.00	269	1.30	2950						
12.5	12.49	113	330	4.00	311	1.06	2770						
10	9.84	143	320	4.00	244	1.31	2550						
7.5	7.48	188	310	4.00	186	1.67	2330						

CHO 82/83		n ₁ = 1400 r/min								500Nm			
i nominal	i actual	n ₂ [r/min]	M _{2n} [Nm]	P1=Kw	M1	F.S.	F _{r2} [N]	63B5	71B5	80B5 80B14	90B5 90B14	100B5 100B14	112B5 112B14

CHO 83

3 stages

300	295.18	4.8	460	0.25	425	1.08	8300						
250	240.89	5.9	500	0.37	500	1.00	8300						
200	200.66	7.0	500	0.37	433	1.15	8300						
150	151.20	9.3	500	0.55	481	1.04	8050						
125	125.95	12	500	0.75	532	0.94	7580						
100	99.22	15	500	0.75	417	1.20	7000						
75	75.45	19	500	1.10	481	1.04	6390						

2 stages

CHO 82

60	59.04	24	460	1.50	489	0.94	5890						
50	48.17	30	500	1.50	435	1.15	5500						
40	40.13	35	500	2.20	543	0.92	5170						
30	30.24	47	500	2.20	407	1.23	4710						
25	25.19	56	500	3.00	450	1.11	4430						
20	19.84	71	500	4.00	500	1.00	4090						
15	15.09	93	500	4.00	373	1.34	3730						
12.5	12.49	113	480	4.00	310	1.55	3510						
10	9.84	143	460	4.00	243	1.89	3240						
7.5	7.48	188	440	4.00	186	2.37	2950						



GEAR UNIT SELECTION TABLES

P_{1n} [Kw]	n_2 [r/min]	M_{2n} [Nm]	i nominal	i actual	F_{r2} [N]	f_s				
0.12	5.7	184	250	244.29	4100	0.7	CHO53	63B5	63A4	
	7.0	151	200	200.44	4100	0.9				
	9.5	110	150	146.67	4000	1.2				
	11.6	91	125	120.34	3770	1.4				
	13.9	76	100	101.04	3560	1.7				
	18.8	56	75	74.62	3220	2.3				
	24.0	45	60	58.36	2960	2.4	CHO52	63B5	63A4	
	28.7	38	50	48.86	2790	3.5				
	35	31	40	40.09	2610	4.2				
	48	23	30	29.33	2350	5.8				
	58	18.5	25	24.07	2200	7.0				
	69	15.6	20	20.21	2080	8.4				
	94	11.5	15	14.92	1880	11.3				
	112	9.6	12.5	12.47	1770	13.5				
	134	8.1	10	10.47	1670	16.1				
181	5.9	7.5	7.73	1510	16.8					
	5.7	183	250	243.57	4800	1.1	CHO63	63B5	63A4	
	7.1	148	200	196.43	4800	1.4				
	9.2	114	150	151.56	4650	1.8				
	11.5	92	125	122.22	4330	2.2				
	13.8	76	100	101.27	4070	2.6				
	19.1	55	75	73.33	3650	2.9				
	4.7	224	300	297.21	6500	1.6	CHO73	63B5	63A4	
	5.8	181	250	240.89	6500	1.9				
	7.0	151	200	200.66	6500	2.3				
	4.7	222	300	295.18	8300	2.1	CHO83	63B5	63A4	
	5.8	181	250	240.89	8300	2.8				
	0.18	48	34	60	58.36	2350	3.3	CHO52	63B5	63A2
		57	28	50	48.86	2220	4.6			
		70	23	40	40.09	2070	5.6			
		95	16.9	30	29.33	1870	7.7			
116		13.9	25	24.07	1750	9.4				
11.6		136	125	120.34	3770	1.0	CHO53	63B5	63B4	
13.9		114	100	101.04	3560	1.1				
18.8		84	75	74.62	3220	1.5				
24		67	60	58.36	2960	1.6	CHO52	63B5	63B4	
28.7		56	50	48.86	2790	2.3				
35		46	40	40.09	2610	2.8				
48		34	30	29.33	2350	3.8				
58		28	25	24.07	2200	4.7				
69		23	20	20.21	2080	5.6				
94		17.2	15	14.92	1880	7.5				
112	14.4	12.5	12.47	1770	9.0					
134	12.1	10	10.47	1670	10.8					
181	8.9	7.5	7.73	1510	11.2					

2D and 3D drawings available on the web site www.chiaravalli.com
Quantity, availability and prices with Chiaravalli B2B



GEAR UNIT SELECTION TABLES

P_{1n} [Kw]	n_2 [r/min]	M_{2n} [Nm]	i nominal	i actual	F_{r2} [N]	f_s			
0.18	15.4	105	60	58.36	3430	1.0	CHO52	71B5/B14	71A6
	18.4	88	50	48.86	3240	1.5			
	22.4	72	40	40.09	3030	1.8			
	31	53	30	29.33	2730	2.5			
	37	43	25	24.07	2550	3.0			
	7.1	222	200	196.43	4800	0.9	CHO63	63B5	63B4
	9.2	171	150	151.56	4650	1.2			
	11.5	138	125	122.22	4330	1.4			
	13.8	114	100	101.27	4070	1.7			
	19.1	83	75	73.33	3650	1.9			
	23.1	70	60	60.50	3430	2.4	CHO62	63B5	63B4
	28.7	56	50	48.71	3190	3.6			
	7.4	215	125	122.22	4800	0.9	CHO63	71B5/B14	71A6
	8.9	178	100	101.27	4720	1.1			
	12.3	129	75	73.33	4230	1.2			
	14.9	109	60	60.50	3970	1.6	CHO62	71B5/B14	71A6
	18.5	87	50	48.71	3690	2.3			
	22.9	71	40	38.29	3440	2.8			
	4.7	336	300	297.21	6500	1.0	CHO73	63B5	63B4
	5.8	272	250	240.89	6500	1.3			
	7.0	227	200	200.66	6500	1.5			
	9.3	171	150	151.20	6500	2.0			
	11.1	142	125	125.95	5980	2.5			
	14.1	112	100	99.22	5520	3.1			
	4.5	353	200	200.66	6500	1.0	CHO73	71B5	71A6
	6.0	266	150	151.20	6500	1.3			
	7.1	221	125	125.95	6500	1.6			
	9.1	174	100	99.22	6400	2.0			
	11.9	133	75	75.45	5840	2.6			
	4.7	333	300	295.18	8300	1.4	CHO83	63B5	63B4
	5.8	272	250	240.89	8300	1.8			
	7.0	227	200	200.66	8300	2.2			
	9.3	171	150	151.20	8050	2.9			
	3.7	423	250	240.89	8300	1.2	CHO83	71B5	71A6
	4.5	353	200	200.66	8300	1.4			
	6.0	266	150	151.20	8300	1.9			
	7.1	221	125	125.95	8300	2.3			
	9.1	174	100	99.22	8110	2.9			
0.25	19.1	115	150	146.67	3200	1.1	CHO53	63B5	63B2
	23.3	94	125	120.34	2990	1.4			
	27.7	79	100	101.04	2820	1.6			
	38	59	75	74.62	2550	2.2			
	48	47	60	58.36	2350	2.4	CHO52	63B5	63B2
	57	39	50	48.86	2220	3.3			
	70	32	40	40.09	2070	4.0			



GEAR UNIT SELECTION TABLES

P_{1n} [Kw]	n_2 [r/min]	M_{2n} [Nm]	i nominal	i actual	F_{r2} [N]	f_s			
0.25	24	94	60	58.36	2960	1.2	CHO52	71B5/B14	71A4
	28.7	78	50	48.86	2790	1.7			
	35	64	40	40.09	2610	2.0			
	48	47	30	29.33	2350	2.8			
	58	39	25	24.07	2200	3.4			
	69	32	20	20.21	2080	4.0			
	94	24	15	14.92	1880	5.4			
	18.4	122	50	48.86	3240	1.1	CHO52	71B5/B14	71B6
	22.4	100	40	40.09	3030	1.3			
	31	73	30	29.33	2730	1.8			
	37	60	25	24.07	2550	2.2			
	45	50	20	20.21	2410	2.6			
	60	37	15	14.92	2180	3.5			
	72	31	12.5	12.47	2050	4.2			
	86	26	10	10.47	1930	5.0			
	116	19	7.5	7.73	1750	5.2			
	11.5	191	250	243.57	4330	1.0	CHO63	63B5	63B2
	14.3	154	200	196.43	4030	1.3			
	18.5	119	150	151.56	3690	1.7			
	22.9	96	125	122.22	3440	2.1			
	27.6	78	100	101.27	3230	2.5			
	38	58	75	73.33	2900	2.8			
	11.5	192	125	122.22	4330	1.0	CHO63	71B5/B14	71A4
	13.8	159	100	101.27	4070	1.3			
	19.1	115	75	73.33	3650	1.4			
	23.1	97	60	60.50	3430	1.8	CHO62	71B5/B14	71A4
	28.7	78	50	48.71	3190	2.6			
	36	63	40	39.29	2970	3.2			
	46	49	30	30.31	2720	4.1			
	14.9	151	60	60.50	3970	1.1	CHO62	71B5/B14	71B6
	18.5	121	50	48.71	3690	1.6			
	22.9	98	40	39.29	3440	2.0			
	29.7	76	30	30.31	3150	2.6			
	9.4	233	300	297.21	6320	1.5	CHO73	63B5	63B2
	11.6	189	250	240.89	5890	1.9			
	14	157	200	200.66	5540	2.2			
	18.5	119	150	151.20	5040	3.0			
	5.8	378	250	240.89	6500	0.9	CHO73	71B5	71A4
	7.0	315	200	200.66	6500	1.1			
	9.3	237	150	151.20	6500	1.5			
	11.1	198	125	125.95	5980	1.8			
	14.1	156	100	99.22	5520	2.2			
	18.6	118	75	75.45	5040	3.0			
	6	369	150	151.20	6500	0.9	CHO73	71B5	71B6
	7.1	307	125	125.95	6500	1.1			

2D and 3D drawings available on the web site www.chiaravalli.com
Quantity, availability and prices with Chiaravalli B2B



GEAR UNIT SELECTION TABLES

P_{1n} [Kw]	n_2 [r/min]	M_{2n} [Nm]	i nominal	i actual	F_{r2} [N]	f_s			
0.25	9.1	242	100	99.22	6400	1.4	CHO73	71B5	71B6
	11.9	184	75	75.45	5840	1.9			
	15.1	148	60	59.44	5390	2.4	CHO72	71B5	71B6
	18.7	120	50	48.18	5030	2.9			
	22.4	100	40	40.13	4730	3.5			
	4.7	463	300	295.18	8300	1.0	CHO83	71B5	71A4
	5.8	378	250	240.89	8300	1.3			
	7.0	315	200	200.66	8300	1.6			
	9.3	237	150	151.20	8050	2.1			
	11.1	198	125	125.95	7580	2.5			
	4.5	490	200	200.66	8300	1.0	CHO83	71B5	71B6
	6.0	369	150	151.20	8300	1.4			
	7.1	307	125	125.95	8300	1.6			
	9.1	242	100	99.22	8110	2.1			
	11.9	184	75	75.45	7400	2.7			
0.37	23.3	140	125	120.34	2990	0.9	CHO53	71B5/B14	71A2
	27.7	117	100	101.04	2820	1.1			
	38	87	75	74.62	2550	1.5			
	48	69	60	58.36	2350	1.6	CHO52	71B5/B14	71A2
	57	58	50	48.86	2220	2.2			
	70	48	40	40.09	2070	2.7			
	95	35	30	29.33	1870	3.7			
	28.7	116	50	48.86	2790	1.1	CHO52	71B5/B14	71B4
	35	95	40	40.09	2610	1.4			
	48	70	30	29.33	2350	1.6			
	58	57	25	24.07	2200	2.3			
	69	48	20	20.21	2080	2.7			
	94	35	15	14.90	1880	3.7			
	112	30	12.5	12.47	1770	4.4			
	134	25	10	10.47	1670	5.2			
	181	18	7.5	7.73	1510	5.5			
	31	108	30	29.33	2730	1.2	CHO52	80B5/B14	80A6
	37	89	25	24.07	2550	1.5			
	45	75	20	20.21	2410	1.7			
	60	55	15	14.92	2180	2.4			
	72	46	12.5	12.47	2050	2.8			
	86	39	10	10.47	1930	3.4			
	116	29	7.5	7.73	1750	3.5			
	14.3	228	200	196.43	4030	0.9	CHO63	71B5/B14	71A2
	18.5	176	150	151.56	3690	1.1			
	22.9	142	125	122.22	3440	1.4			
	27.6	118	100	101.27	3230	1.7			
	46	72	60	60.50	2720	2.4	CHO62	71B5/B14	71A2
	57	58	50	48.71	2530	3.5			
	71	47	40	39.29	2350	4.3			



GEAR UNIT SELECTION TABLES

P_{1n} [Kw]	n_2 [r/min]	M_{2n} [Nm]	i nominal	i actual	F_{r2} [N]	f_s			
0.37	13.8	235	100	101.27	4070	0.9	CHO63	71B5/B14	71B4
	19.1	170	75	73.33	3650	0.9			
	23.1	144	60	60.50	3430	1.2	CHO62	71B5/B14	71B4
	28.7	116	50	48.71	3190	1.7			
	36	93	40	39.29	2970	2.1			
	46	72	30	30.31	2720	2.8			
	57	58	25	24.44	2530	3.4			
	69	48	20	20.25	2380	4.2			
	18.5	180	50	48.71	3690	1.1	CHO62	80B5/B14	80A6
	22.9	145	40	39.29	3440	1.4			
	29.7	112	30	30.31	3150	1.8			
	37	90	25	24.44	2930	2.2			
	44	75	20	20.25	2760	2.7			
	61	54	15	14.67	2470	3.5			
	71	47	12.5	12.67	2360	3.5			
	86	39	10	10.50	2210	3.5			
	118	28	7.5	7.60	1990	3.6			
	9.4	345	300	297.21	6320	1.0	CHO73	71B5	71A2
	11.6	280	250	240.89	5890	1.3			
	14	233	200	200.66	5540	1.5			
	18.5	176	150	151.20	5040	2.0			
	9.3	351	150	151.20	6500	1.0	CHO73	71B5	71B4
	11.1	292	125	125.95	5980	1.2			
	14.1	230	100	99.22	5520	1.5			
	18.6	175	75	75.45	5040	2.0			
	23.6	141	60	59.44	4660	2.5	CHO72	71B5	71B4
	29.1	114	50	48.18	4340	3.1			
	9.1	358	100	99.22	6400	1.0	CHO73	80B5/B14	80A6
	11.9	273	75	75.45	5840	1.3			
	15.1	219	60	59.44	5390	1.6	CHO72	80B5/B14	80A6
	18.7	178	50	48.18	5030	2.0			
	22.4	148	40	40.13	4730	2.4			
	29.8	112	30	30.24	4310	3.1			
	9.5	343	300	295.18	7990	1.3	CHO83	71B5	71A2
	11.6	280	250	240.89	7470	1.8			
	14.0	233	200	200.66	7030	2.1			
	18.5	176	150	151.20	6390	2.8			
	22.2	146	125	125.95	6010	3.4			
	5.8	559	250	240.89	8300	0.9	CHO83	71B5	71B4
	7.0	466	200	200.66	8300	1.1			
	9.3	351	150	151.20	8050	1.4			
	11.1	292	125	125.95	7580	1.7			
	14.1	230	100	99.22	7000	2.2			
	18.6	175	75	75.45	6390	2.9			
	22.4	145	60	62.43	6000	3.1			

2D and 3D drawings available on the web site www.chiaravalli.com
Quantity, availability and prices with Chiaravalli B2B



GEAR UNIT SELECTION TABLES

P_{1n} [Kw]	n_2 [r/min]	M_{2n} [Nm]	i nominal	i actual	F_{r2} [N]	f_s			
0.37	28.5	114	50	49.18	5540	3.1	CHO83	71B5	71B4
	6.0	546	150	151.20	8300	0.9	CHO83	80B5/B14	80A6
	7.1	455	125	125.95	8300	1.1			
	9.1	358	100	99.22	8110	1.4			
	11.9	273	75	75.45	7400	1.8			
	15.2	218	60	59.04	6820	2.1	CHO82	80B5/B14	80A6
	18.7	178	50	48.18	6370	2.8			
0.55	70	71	40	40.09	2070	1.8	CHO52	71B5/B14	71B2
	95	52	30	29.33	1870	2.5			
	116	42	25	24.07	1750	3.1			
	139	36	20	20.21	1650	3.6			
	35	141	40	40.09	2610	0.9	CHO52	80B5/B14	80A4
	48	103	30	29.33	2350	1.3			
	58	85	25	24.07	2200	1.5			
	69	71	20	20.21	2080	1.8			
	94	53	15	14.92	1880	2.5			
	112	44	12.5	12.47	1770	3.0			
	134	37	10	10.47	1670	3.5			
	181	27	7.5	7.73	1510	3.7			
	22.9	211	125	122.22	3440	0.9	CHO63	71B5/B14	71B2
	27.6	175	100	101.27	3230	1.1			
	38	127	75	73.33	2900	1.3			
	46	107	60	60.50	2720	1.6	CHO62	71B5/B14	71B2
	57	86	50	48.71	2530	2.3			
	71	69	40	39.29	2350	2.9			
	92	53	30	30.31	2160	3.7			
	28.7	172	50	48.71	3190	1.2	CHO62	80B5/B14	80A4
	36	139	40	39.29	2970	1.4			
	46	107	30	30.31	2720	1.9			
	57	86	25	24.44	2530	2.3			
	69	71	20	20.25	2380	2.8			
	95	52	15	14.67	2130	3.7			
	110	45	12.5	12.67	2030	3.7			
	133	37	10	10.50	1910	3.6			
	184	27	7.5	7.60	1710	3.7			
	22.9	216	40	39.29	3440	0.9	CHO62	80B5/B14	80B6
	29.7	166	30	30.31	3150	1.2			
37	134	25	24.44	2930	1.5				
44	111	20	20.25	2760	1.8				
61	80	15	14.67	2470	2.4				
71	70	12.5	12.67	2360	2.4				
86	58	10	10.50	2210	2.3				
118	42	7.5	7.60	1990	2.4				
14	346	200	200.66	5540	1.0	CHO73	71B5	71B2	
18.5	261	150	151.20	5040	1.3				



GEAR UNIT SELECTION TABLES

P_{1n} [Kw]	n_2 [r/min]	M_{2n} [Nm]	i nominal	i actual	F_{r2} [N]	f_s			
0.55	22.2	217	125	125.95	4750	1.6	CHO73	71B5	71B2
	28.2	171	100	99.22	4380	2.0			
	37	130	75	75.45	4000	2.7			
	45	108	60	62.43	3750	3.2			
	57	85	50	49.18	3470	4.1			
	14.1	342	100	99.22	5520	1.0	CHO73	80B5/B14	80A4
	18.6	260	75	75.45	5040	1.3			
	23.6	210	60	59.44	4660	1.7	CHO72	80B5/B14	80A4
	29.1	170	50	48.18	4340	2.1			
	35	142	40	40.13	4080	2.5			
	46	107	30	30.24	3720	3.3			
	15.1	326	60	59.44	5390	1.1	CHO72	80B5/B14	80B6
	18.7	264	50	48.18	5030	1.3			
	22.4	220	40	40.13	4730	1.6			
	29.8	166	30	30.24	4310	2.1			
	9.5	509	300	295.18	7990	0.9	CHO83	71B5	71B2
	11.6	416	250	240.89	7470	1.2			
	14.0	346	200	200.66	7030	1.4			
	18.5	261	150	151.20	6390	1.9			
	22.2	217	125	125.95	6010	2.3			
	9.3	522	150	151.20	8050	1.0	CHO83	80B5/B14	80A4
	11.1	435	125	125.95	7580	1.2			
	14.1	342	100	99.22	7000	1.5			
	18.6	260	75	75.45	6390	1.9			
	23.7	208	60	59.04	5890	2.2	CHO82	80B5/B14	80A4
	29.1	170	50	48.18	5500	2.9			
	9.1	533	100	99.22	8110	0.9	CHO83	80B5/B14	80B6
	11.9	405	75	75.45	7400	1.2			
	15.2	324	60	59.04	6820	1.4	CHO82	80B5/B14	80B6
	18.7	264	50	48.18	6370	1.9			
22.4	220	40	40.13	6000	2.3				
0.75	57	117	50	48.86	2220	1.1	CHO52	80B5/B14	80A2
	70	96	40	40.09	2070	1.3			
	95	71	30	29.33	1870	1.8			
	116	58	25	24.07	1750	2.2			
	139	49	20	20.21	1650	2.7			
	188	36	15	14.92	1490	3.6			
	48	141	30	29.33	2350	0.9	CHO52	80B5/B14	80B4
	58	116	25	24.07	2200	1.1			
	69	97	20	20.21	2080	1.3			
	94	72	15	14.92	1880	1.8			
	112	60	12.5	12.47	1770	2.2			
	134	50	10	10.47	1670	2.6			
	181	37	7.5	7.73	1510	2.7			

2D and 3D drawings available on the web site www.chiaravalli.com
Quantity, availability and prices with Chiaravalli B2B



GEAR UNIT SELECTION TABLES

P_{1n} [Kw]	n_2 [r/min]	M_{2n} [Nm]	i nominal	i actual	F_{r2} [N]	f_s			
0.75	46	145	60	60.50	2720	1.2	CHO62	80B5/B14	80A2
	57	117	50	48.71	2530	1.7			
	71	94	40	39.29	2350	2.1			
	92	73	30	30.31	2160	2.7			
	115	59	25	24.44	2010	3.4			
	138	49	20	20.25	1890	4.1			
	28.7	234	50	48.71	3190	0.9	CHO62	80B5/B14	80B4
	36	189	40	39.29	2970	1.1			
	46	146	30	30.31	2720	1.4			
	57	118	25	24.44	2530	1.7			
	69	97	20	20.25	2380	2.1			
	95	71	15	14.67	2130	2.8			
	18.5	356	150	151.20	5040	1.0	CHO73	80B5/B14	80A2
	22.2	296	125	125.95	4750	1.2			
	28.2	234	100	99.22	4380	1.5			
	37	178	75	75.45	4000	2.0			
	47	143	60	59.44	3690	2.4	CHO72	80B5/B14	80A2
	58	116	50	48.18	3440	3.0			
	70	96	40	40.13	3240	3.6			
	23.6	286	60	59.44	4660	1.2	CHO72	80B5/B14	80B4
	29.1	232	50	48.18	3440	1.5			
	35	193	40	40.13	4080	1.8			
	46	145	30	30.24	3720	2.4			
	56	121	25	25.19	3500	2.9			
	18.7	360	50	48.18	5030	1.0	CHO72	90B5/B14	90S6
	22.4	300	40	40.13	4730	1.2			
	29.8	226	30	30.24	4310	1.5			
	36	188	25	25.19	4050	1.9			
	45	148	20	19.84	3740	2.4			
	11.6	567	250	240.89	7470	0.9	CHO83	80B5/B14	80A2
	14.0	472	200	200.66	7030	1.1			
	18.5	356	150	151.20	6390	1.4			
	22.2	296	125	125.95	6010	1.7			
	28.2	234	100	99.22	5550	2.1			
	37	178	75	75.45	5070	2.8			
	14.1	467	100	99.22	7000	1.1	CHO83	80B5/B14	80B4
	18.6	355	75	75.45	6390	1.4			
	23.7	284	60	59.04	5890	1.6	CHO82	80B5/B14	80B4
	29.1	232	50	48.18	5500	2.2			
	35	193	40	40.13	5170	2.6			
	15.2	442	60	59.04	6820	1.0	CHO82	90B5/B14	90S6
	18.7	360	50	48.18	6370	1.4			
	22.4	300	40	40.13	6000	1.7			
	29.8	226	30	30.24	5460	2.2			



GEAR UNIT SELECTION TABLES

P_{1n} [Kw]	n_2 [r/min]	M_{2n} [Nm]	i nominal	i actual	F_{r2} [N]	f_s			
1.1	70	141	40	40.09	2070	0.9	CHO52	80B5/B14	80B2
	95	103	30	29.33	1870	1.3			
	116	85	25	24.07	1750	1.5			
	139	71	20	20.21	1650	1.8			
	188	53	15	14.92	1490	2.5			
	225	44	12.5	12.47	1400	3.0			
	267	37	10	10.47	1320	3.5			
	362	27	7.5	7.73	1200	3.7			
	69	143	20	20.21	2080	0.9	CHO52	90B5/B14	90S4
	94	105	15	14.92	1880	1.2			
	112	88	12.5	12.47	1770	1.5			
	134	74	10	10.47	1670	1.8			
	181	55	7.5	7.73	1510	1.8			
	72	137	12.5	12.47	2050	1.0	CHO52	90B5/B14	90L6
	86	115	10	10.47	1930	1.1			
	57	172	50	48.71	2530	1.2	CHO62	80B5/B14	80B2
	71	139	40	39.29	2350	1.4			
	92	107	30	30.31	2160	1.9			
	115	86	25	24.44	2010	2.3			
	138	71	20	20.25	1890	2.8			
	191	52	15	14.67	1690	3.7			
	221	45	12.5	12.67	1610	3.7			
	267	37	10	10.50	1510	3.6			
	368	27	7.5	7.60	1710	1.9			
	46	214	30	30.31	2720	0.9	CHO62	90B5/B14	90S4
	57	172	25	24.44	2530	1.2			
	69	143	20	20.25	2380	1.4			
	95	103	15	14.67	2130	1.8			
	110	89	12.5	12.67	2030	1.8			
	133	74	10	10.50	1910	1.8			
	184	54	7.5	7.60	1360	3.7			
	44	222	20	20.25	2760	0.9	CHO62	90B5/B14	90L6
	61	161	15	14.67	2470	1.2			
	71	139	12.5	12.67	2360	1.2			
	86	115	10	10.50	2210	1.2			
	118	83	7.5	7.60	1990	1.2			
	29.1	340	50	48.18	4340	1.0	CHO72	90B5/B14	90S4
	35	283	40	40.13	4080	1.2			
	46	213	30	30.24	3720	1.6			
	56	178	25	25.19	3500	2.0			
	71	140	20	19.84	3230	2.5			
	93	106	15	15.09	2950	3.3			
	112	88	12.5	12.49	2770	4.0			
	29.8	332	30	30.24	4310	1.1	CHO72	90B5/B14	90L6
	36	276	25	25.19	4050	1.3			

2D and 3D drawings available on the web site www.chiaravalli.com
Quantity, availability and prices with Chiaravalli B2B



GEAR UNIT SELECTION TABLES

P_{1n} [Kw]	n_2 [r/min]	M_{2n} [Nm]	i nominal	i actual	F_{r2} [N]	f_s			
1.1	45	218	20	19.84	3740	1.6	CHO72	90B5/B14	90L6
	60	166	15	15.09	3410	2.1			
	72	137	12.5	12.49	3210	2.6			
	18.5	522	150	151.20	6390	1.0	CHO83	80B5/B14	80B2
	22.2	435	125	125.95	6010	1.2			
	28.2	342	100	99.22	5550	1.5			
	37	260	75	75.45	5070	1.9			
	47	208	60	59.04	4670	2.2	CHO82	80B5/B14	80B2
	58	170	50	48.18	4360	2.9			
	18.6	521	75	75.45	6390	1.0	CHO83	90B5/B14	90S4
	23.7	416	60	59.04	5890	1.1	CHO82	90B5/B14	90S4
	29.1	340	50	48.18	5500	1.5			
	35	283	40	40.13	5170	1.8			
	46	213	30	30.24	4710	2.3			
	18.7	529	50	48.18	6370	0.9	CHO82	90B5/B14	90L6
	22.4	440	40	40.13	6000	1.1			
29.8	332	30	30.24	5460	1.5				
36	276	25	25.19	5130	1.8				
45	218	20	19.84	4740	2.3				
1.5	116	116	25	24.07	1750	1.1	CHO52	90B5/B14	90S2
	139	97	20	20.21	1650	1.3			
	188	72	15	14.92	1490	1.8			
	225	60	12.5	12.47	1400	2.0			
	267	50	10	10.47	1320	2.2			
	362	37	7.5	7.73	1200	2.6			
	94	144	15	14.92	1880	0.9	CHO52	90B5/B14	90L4
	112	120	12.5	12.47	1770	1.6			
	134	101	10	10.47	1670	1.1			
	181	74	7.5	7.73	1510	1.3			
	57	234	50	48.71	2530	0.9	CHO62	90B5/B14	90S2
	71	189	40	39.29	2350	1.1			
	92	146	30	30.31	2160	1.4			
	115	118	25	24.44	2010	1.7			
	138	97	20	20.25	1890	2.0			
	191	71	15	14.67	1690	2.8			
	57	235	25	24.44	2530	0.9	CHO62	90B5/B14	90L4
	69	195	20	20.25	2380	1.0			
	95	141	15	14.67	2130	1.4			
	110	122	12.5	12.67	2030	1.4			
	133	101	10	10.50	1910	1.7			
	184	73	7.5	7.60	1710	2.1			
	47	286	60	59.44	3690	1.2	CHO72	90B5/B14	90S2
	58	232	50	48.18	3440	1.5			
70	193	40	40.13	3240	1.8				
93	145	30	30.24	2950	2.4				



GEAR UNIT SELECTION TABLES

P_{1n}	n_2	M_{2n}	i	i	F_{r2}	f_s			
[Kw]	[r/min]	[Nm]	nominal	actual	[N]				
1.5	35	386	40	40.13	4080	0.9	CHO72	90B5/B14	90L4
	46	291	30	30.24	3720	1.2			
	56	242	25	25.19	3500	1.4			
	71	191	20	19.84	3230	1.8			
	93	145	15	15.09	2950	2.4			
	112	120	12.5	12.49	2770	2.8			
	142	95	10	9.84	2550	3.3			
	47	284	60	59.04	4670	1.6	CHO82	90B5/B14	90S2
	58	232	50	48.18	4360	2.2			
	29.1	463	50	48.18	5500	1.1	CHO82	90B5/B14	90L4
2.2	35	386	40	40.13	5170	1.3			
	46	291	30	30.24	4710	1.7			
	56	242	25	25.19	4430	2.1			
	71	191	20	19.84	4090	2.6			
	139	143	20	20.21	1650	0.9	CHO52	90B5/B14	90L2
	188	105	15	14.92	1490	1.2			
	225	88	12.5	12.47	1400	1.4			
	267	74	10	10.47	1320	1.5			
	362	55	7.5	7.73	1200	1.8			
	92	214	30	30.31	2160	0.9	CHO62	90B5/B14	90L2
	115	172	25	24.44	2010	1.2			
	138	143	20	20.25	1890	1.4			
	191	103	15	14.67	1690	1.8			
	221	89	12.5	12.67	1610	1.8			
	267	74	10	10.50	1510	1.8			
	368	54	7.5	7.60	1360	1.9			
	58	340	50	48.18	3440	1.0	CHO72	90B5/B14	90L2
	70	283	40	40.13	3240	1.2			
	93	213	30	30.24	2950	1.6			
	111	178	25	25.19	2770	2.0			
	56	355	25	25.19	3500	1.0	CHO72	100B5/B14	100A4
	71	280	20	19.84	3230	1.3			
	93	213	15	15.09	2950	1.6			
	112	176	12.5	12.49	2770	1.9			
	142	139	10	9.84	2550	2.3			
	187	106	7.5	7.48	2330	2.9			
	47	416	60	59.04	4670	1.1	CHO82	90B5/B14	90L2
	58	340	50	48.18	4360	1.5			
	70	283	40	40.13	4110	1.8			
	93	213	30	30.24	3740	2.3			
	35	566	40	40.13	5170	0.9	CHO82	100B5/B14	100A4
	46	427	30	30.24	4710	1.2			
	56	355	25	25.19	4430	1.4			
	71	280	20	19.84	4090	1.8			
	93	213	15	15.09	3730	2.3			

2D and 3D drawings available on the web site www.chiaravalli.com
Quantity, availability and prices with Chiaravalli B2B

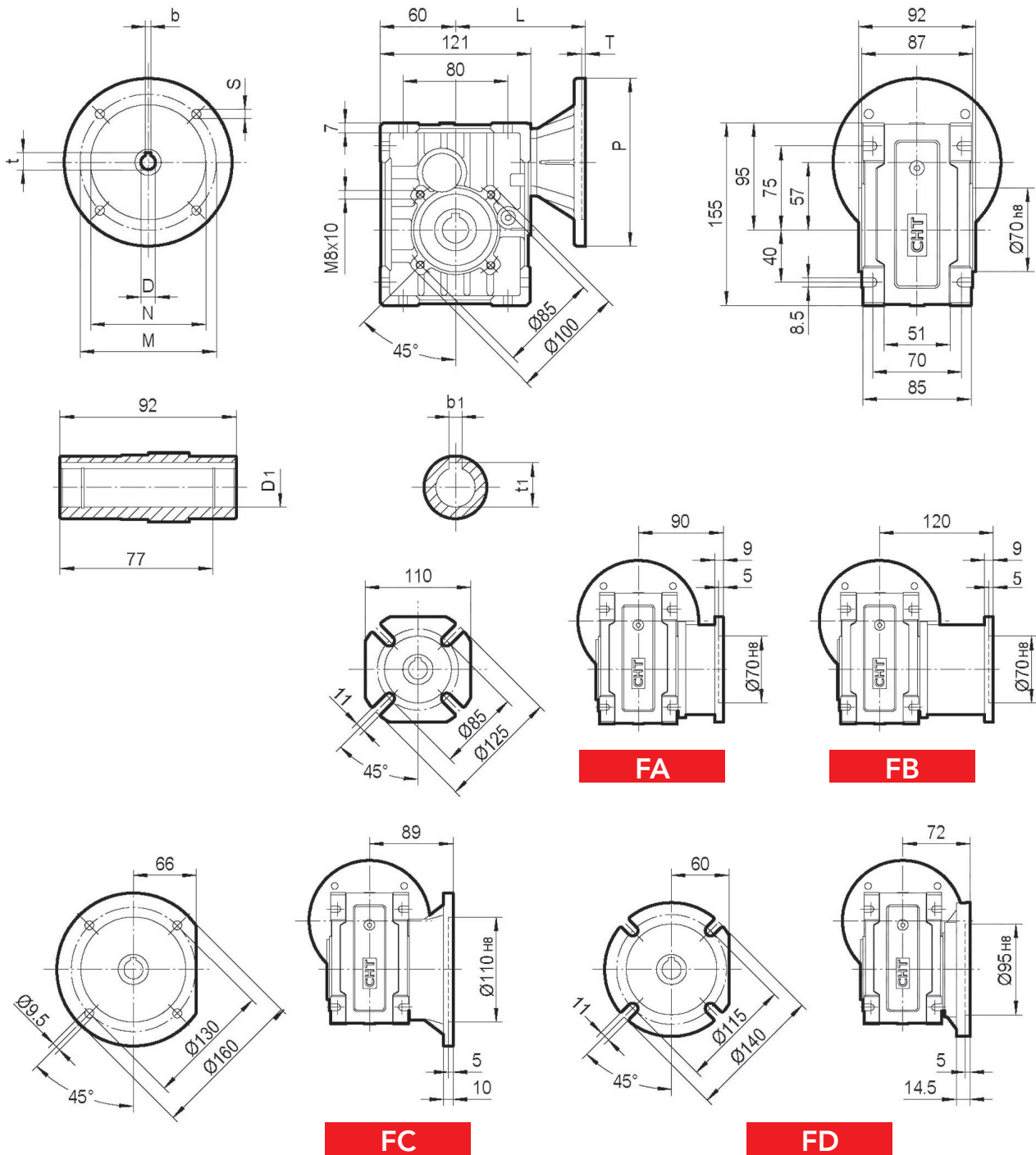


GEAR UNIT SELECTION TABLES

P_{1n} [Kw]	n_2 [r/min]	M_{2n} [Nm]	i nominal	i actual	F_{r2} [N]	f_s			
2.2	112	176	12.5	12.49	3510	2.6	CHO82	100B5/B14	100A4
3	70	386	40	40.13	3240	0.9	CHO72	100B5/B14	100L2
	93	291	30	30.24	2950	1.2			
	111	242	25	25.19	2770	1.4			
	141	191	20	19.84	2560	1.8			
	186	145	15	15.09	2340	2.4			
	224	120	12.5	12.49	2190	2.9			
	285	95	10	9.84	2030	3.7			
	374	72	7.5	7.48	1850	3.9			
	93	290	15	15.09	2950	1.2	CHO72	100B5/B14	100LB4
	112	240	12.5	12.49	2770	1.5			
	142	189	10	9.84	2550	1.8			
	187	144	7.5	7.48	2330	1.9			
	47	568	60	59.04	4670	0.8	CHO82	100B5/B14	100L2
	58	463	50	48.18	4360	1.1			
	70	386	40	40.13	4110	1.3			
	93	291	30	30.24	3740	1.7			
	111	242	25	25.19	3520	2.1			
	141	191	20	19.84	3250	2.6			
	56	485	25	25.19	4430	1.0	CHO82	100B5/B14	100LB4
	71	382	20	19.84	4090	1.3			
	93	290	15	15.09	3730	1.7			
	112	240	12.5	12.49	3510	1.9			
	142	189	10	9.84	3240	2.4			
4	111	323	25	25.19	2770	1.1	CHO72	112B5/B14	100LB2
	141	254	20	19.84	2560	1.4			
	186	194	15	15.09	2340	1.8			
	224	160	12.5	12.49	2190	2.2			
	285	126	10	9.84	2030	2.5			
	374	96	7.5	7.48	1850	2.9			
	112	320	12.5	12.49	2770	1.0	CHO72	112B5/B14	112M4
	142	252	10	9.84	2550	1.3			
	187	192	7.5	7.48	2330	1.5			
	70	515	40	40.13	4110	1.0	CHO82	112B5/B14	100LB2
	93	388	30	30.24	3740	1.3			
	111	323	25	25.19	3520	2.0			
	141	254	20	19.84	3250	2.0			
	186	194	15	15.09	2960	2.6			
	71	509	20	19.84	4090	1.0	CHO82	112B5/B14	112M4
	93	387	15	15.09	3730	1.3			
	112	320	12.5	12.49	3510	1.4			
	142	252	10	9.84	3240	1.8			
	187	192	7.5	7.48	2950	2.3			



CHO 52



FA

FB

FC

FD

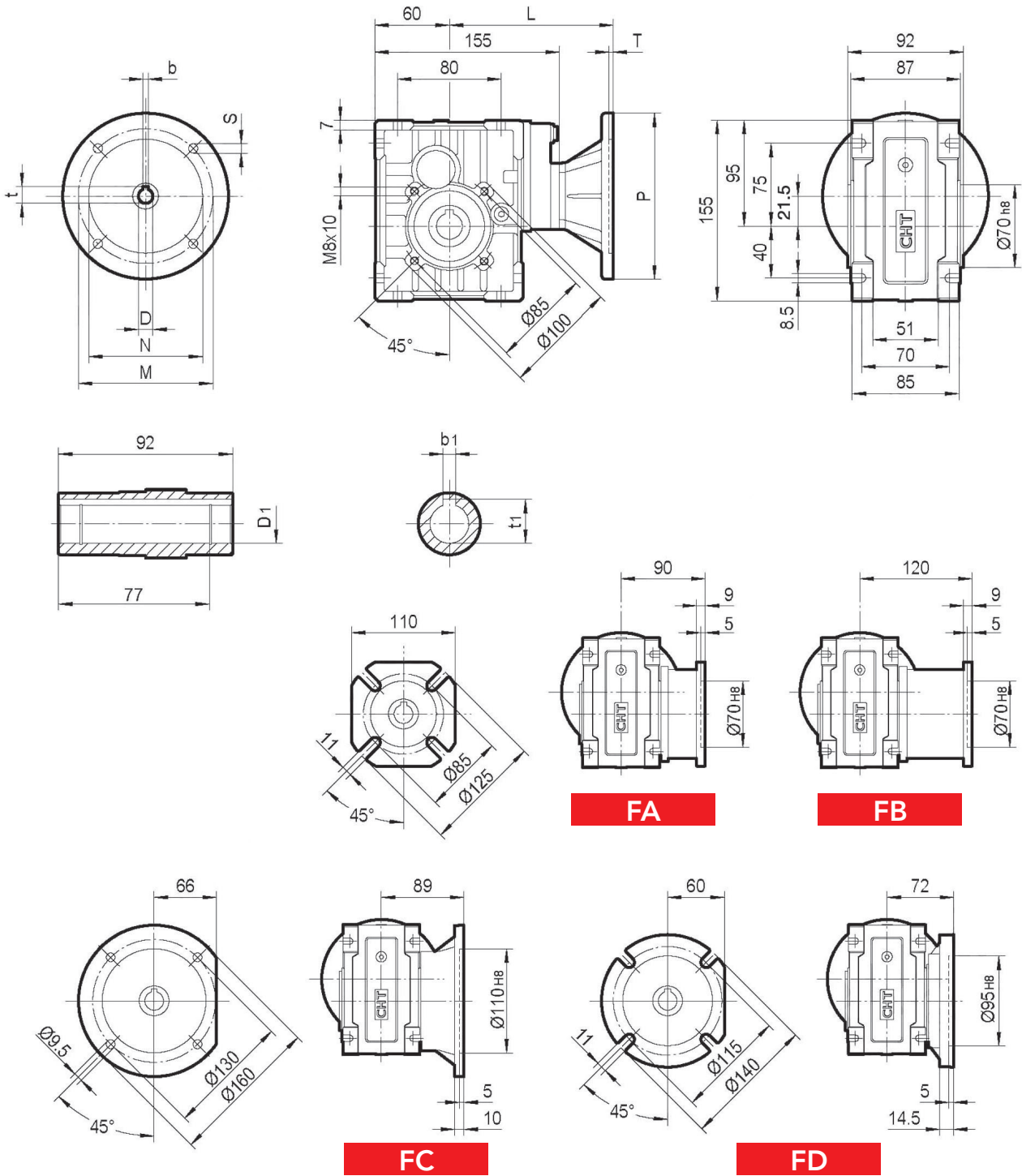
IEC	DE8	b	t	P	M	N	S	T	L	D1 H8	b1	t1
63B5	11	4	12.8	140	115	95	9	4	106	20*	6*	22.8*
71B5	14	5	16.3	160	130	110	9	4	113	25	8	28.3
71B14	14	5	16.3	105	85	70	7	4	113			
80B5	19	6	21.8	200	165	130	11	4	133			
80B14	19	6	21.8	120	100	80	7	4	133	* only on request		
90B14	24	8	27.3	140	115	95	9	4	133			

Weight 3.5 Kg excluding motor



DIMENSION SHEET

CHO 53

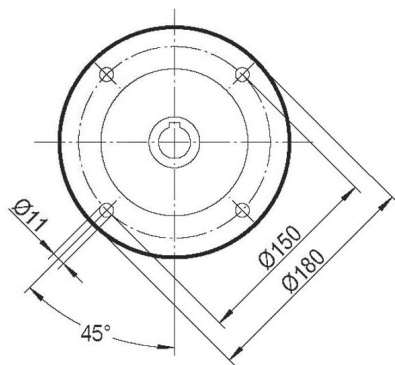
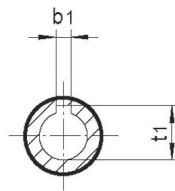
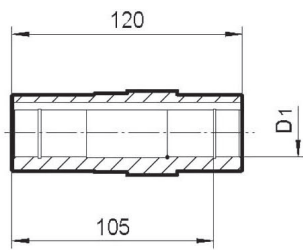
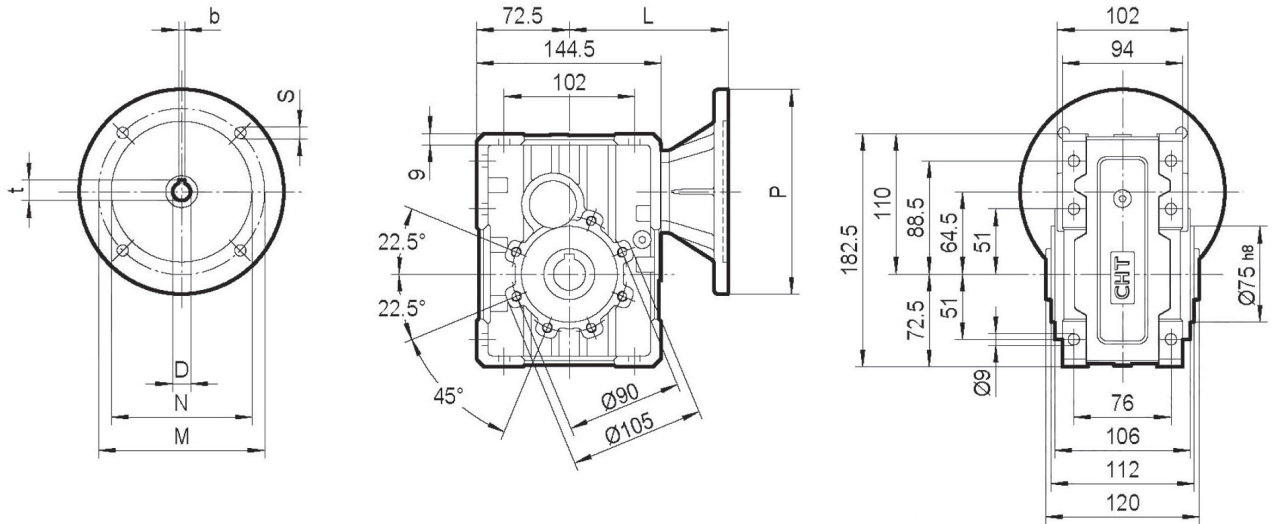


IEC	DE8	b	t	P	M	N	S	T	L	D1 h8	b1	t1
63B5	11	4	12.8	140	115	95	9	4	140	20*	6*	22.8*
71B5	14	5	16.3	160	130	110	9	4	147	25	8	28.3
71B14	14	5	16.3	105	85	70	7	4	147			
80B5	19	6	21.8	200	165	130	11	4	167			
80B14	19	6	21.8	120	100	80	7	4	167	* only on request		
90B14	24	8	27.3	140	115	95	9	4	167			

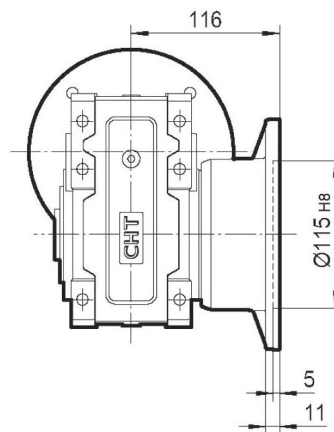
Weight 3.5 Kg excluding motor



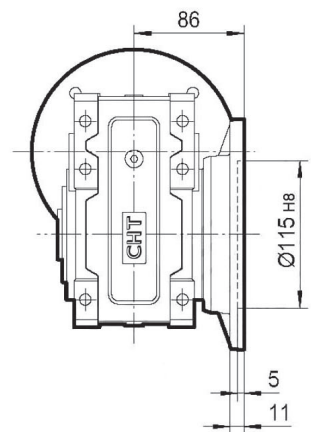
CHO 62



FA



FB

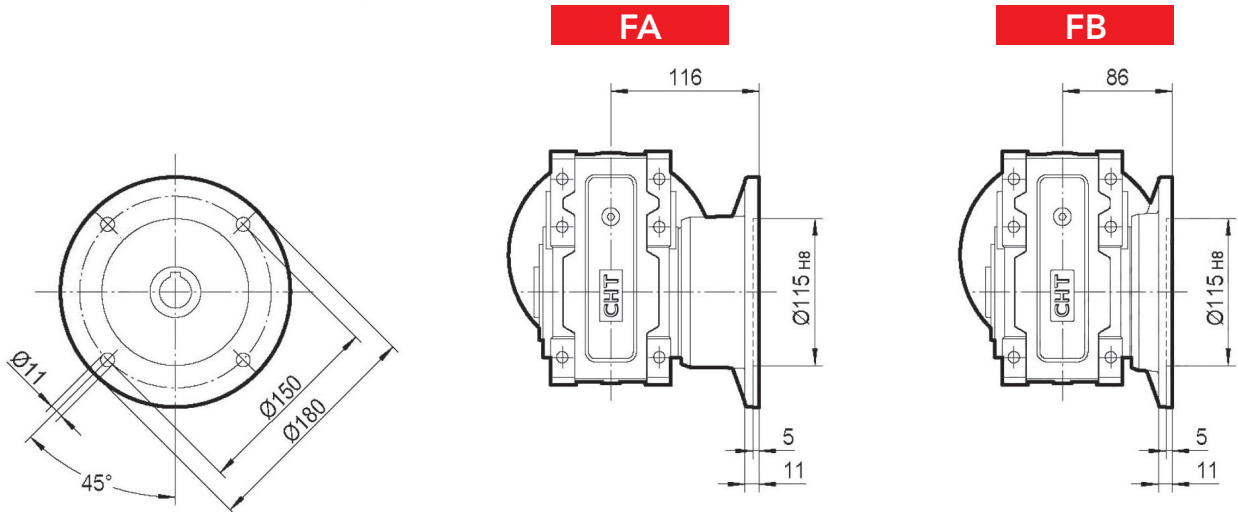
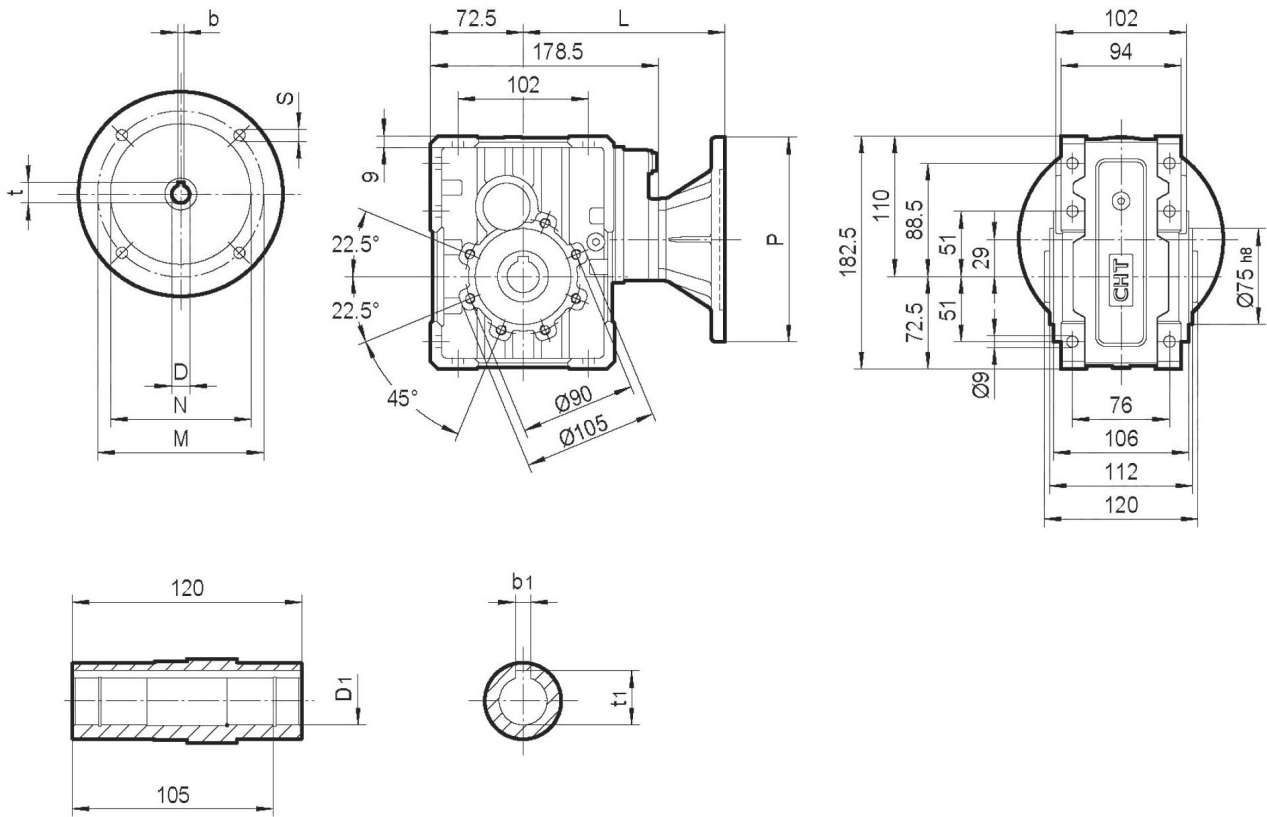


IEC	DE8	b	t	P	M	N	S	T	L	D1 H8	b1	t1
63B5	11	4	12.8	140	115	95	9	4	117	25	8	28.3
71B5	14	5	16.3	160	130	110	9	4	124			
71B14	14	5	16.3	105	85	70	7	4	124			
80B5	19	6	21.8	200	165	130	11	4	144			
80B14	19	6	21.8	120	100	80	7	4	144			
90B5	24	8	27.3	200	165	130	11	4	144			
90B14	24	8	27.3	140	115	95	9	4	144			

Weight 6.5 Kg excluding motor



CHO 63

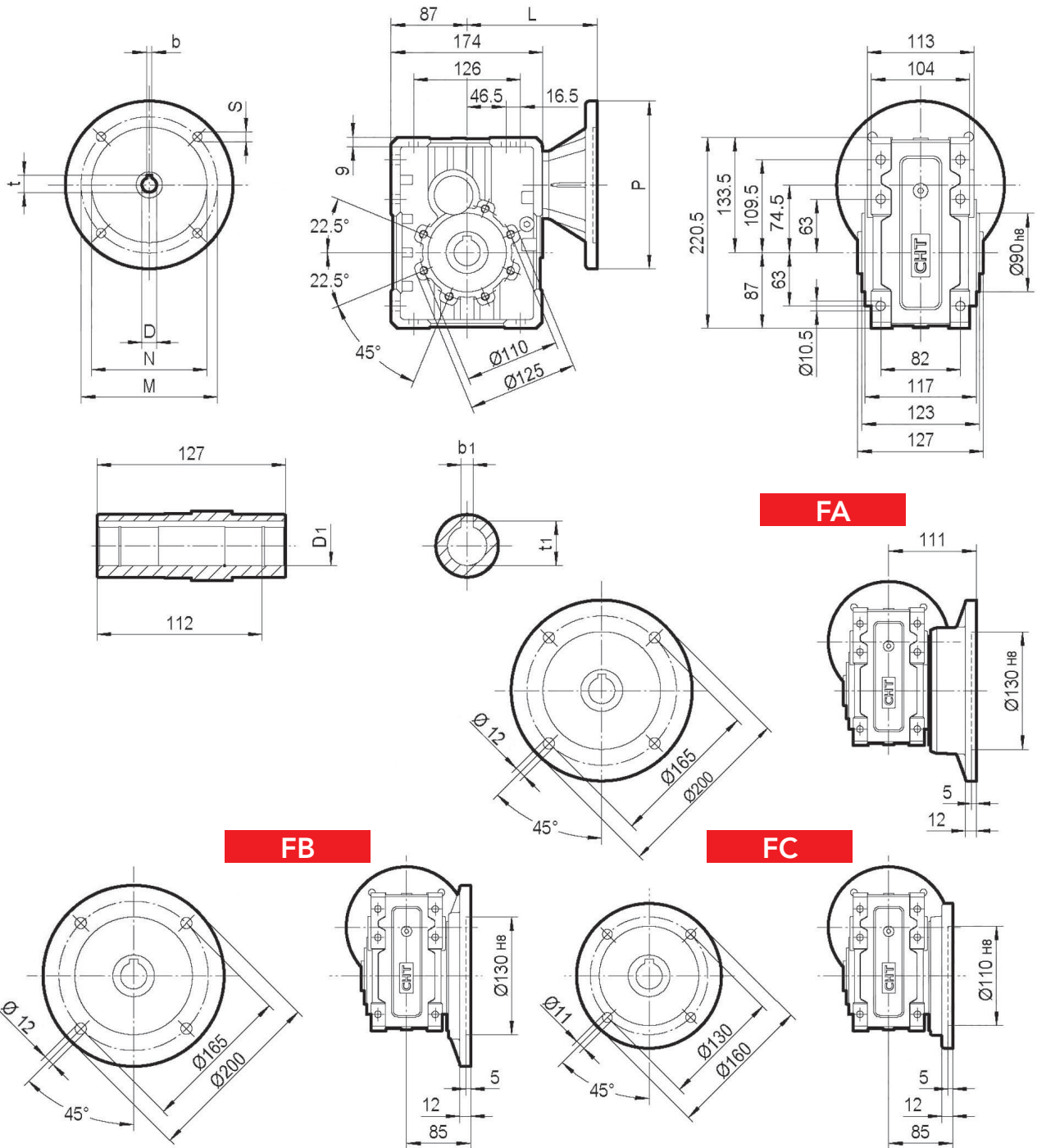


IEC	DE8	b	t	P	M	N	S	T	L	D1 H8	b1	t1
63B5	11	4	12.8	140	115	95	9	4	151	25	8	28.3
71B5	14	5	16.3	160	130	110	9	4	158			
71B14	14	5	16.3	105	85	70	7	4	158			
80B5	19	6	21.8	200	165	130	11	4	178			
80B14	19	6	21.8	120	100	80	7	4	178			
90B5	24	8	27.3	200	165	130	11	4	178			
90B14	24	8	27.3	140	115	95	9	4	178			

Weight 6.5 Kg excluding motor



CHO 72



112

CHO - DIMENSION SHEET

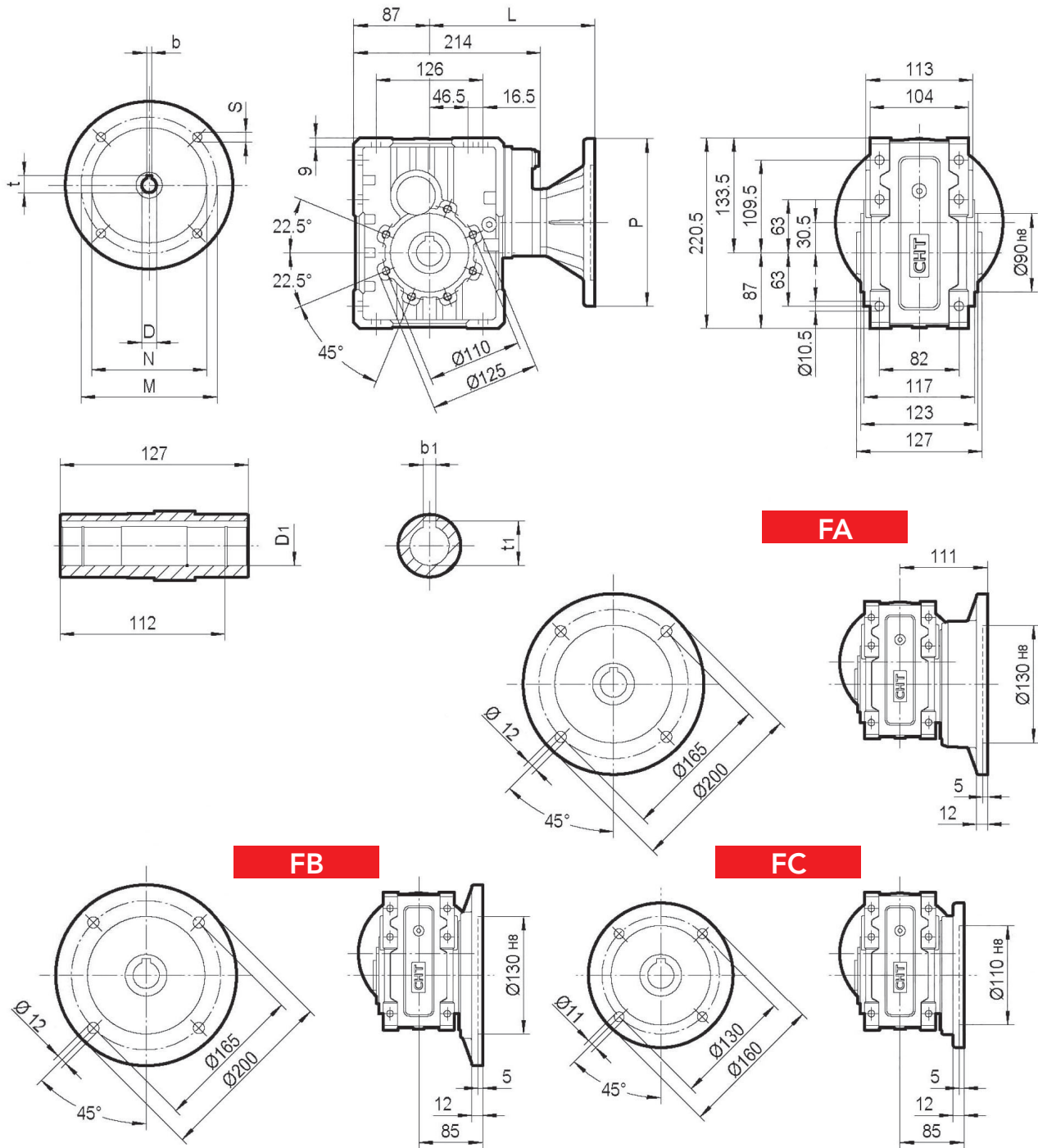
IEC	DE8	b	t	P	M	N	S	T	L	D1 H8	b1	t1
63B5	11	4	12.8	140	115	95	9	4	139	28*	8*	31.3*
71B5	14	5	16.3	160	130	110	9	4	146	30	8	33.3
80B5	19	6	21.8	200	165	130	11	4	166			
80B14	19	6	21.8	120	100	80	7	4	166			
90B5	24	8	27.3	200	165	130	11	4	166			
90B14	24	8	27.3	140	115	95	9	4	166			
100/112B5	28	8	31.3	250	215	180	13.5	4.5	176	* only on request		
100/112B14	28	8	31.3	160	130	110	9	4.5	176			

Weight 9.5 Kg excluding motor



DIMENSION SHEET

CHO 73

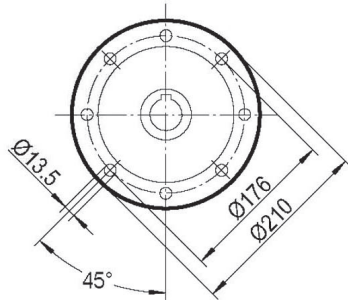
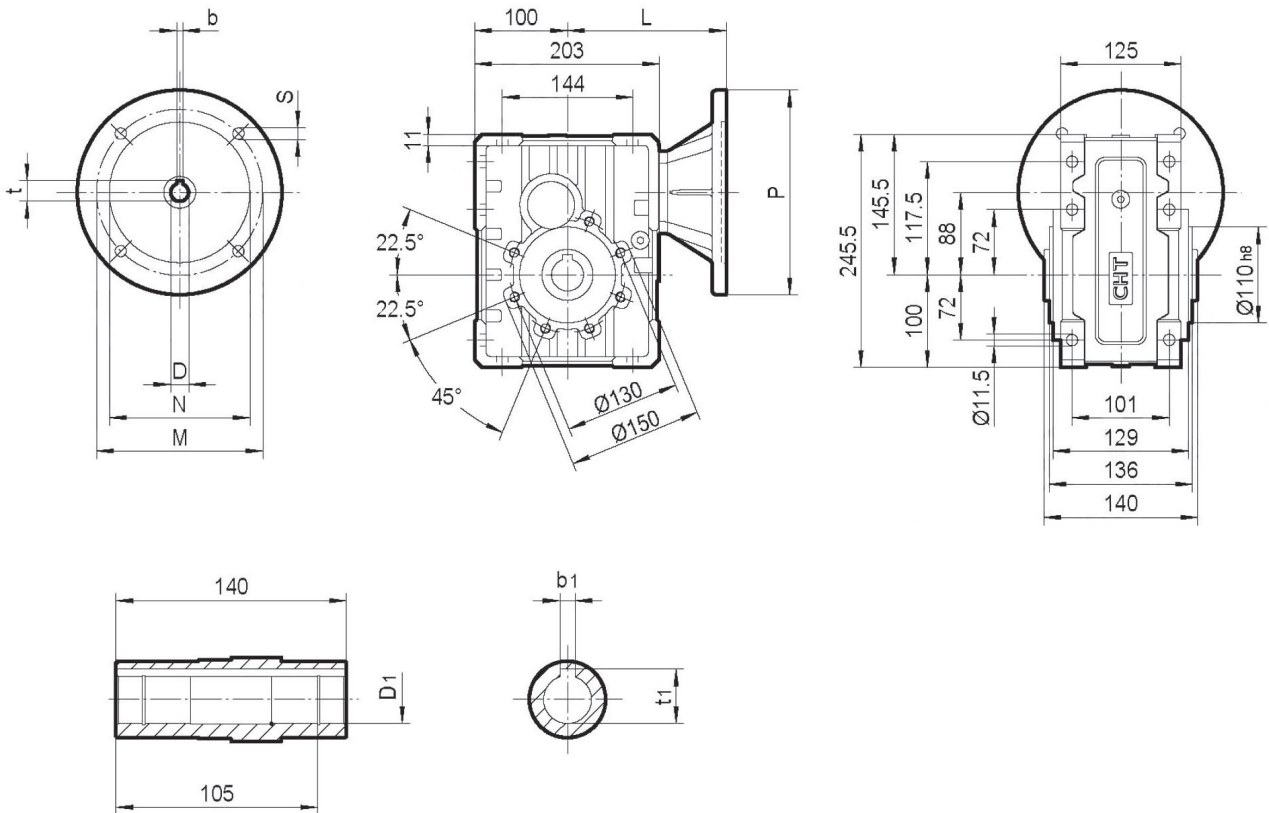


IEC	DE8	b	t	P	M	N	S	T	L	D1 H8	b1	t1
63B5	11	4	12.8	140	115	95	9	4	179	28*	8*	31.3*
71B5	14	5	16.3	160	130	110	9	4	186	30	8	33.3
80B5	19	6	21.8	200	165	130	11	4	206			
80B14	19	6	21.8	120	100	80	7	4	206			
90B5	24	8	27.3	200	165	130	11	4	206			
90B14	24	8	27.3	140	115	95	9	4	206			
100/112B5	28	8	31.3	250	215	180	13.5	4.5	216	* only on request		
100/112B14	28	8	31.3	160	130	110	9	4.5	216			

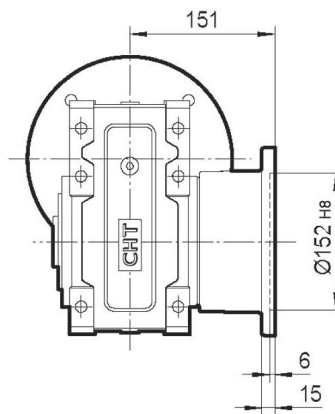
Weight 9.5 Kg excluding motor



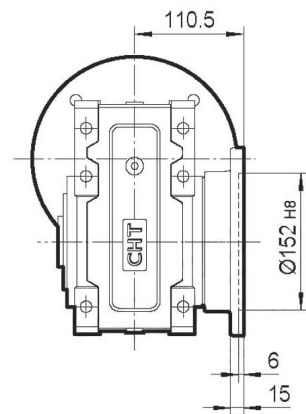
CHO 82



FA



FB

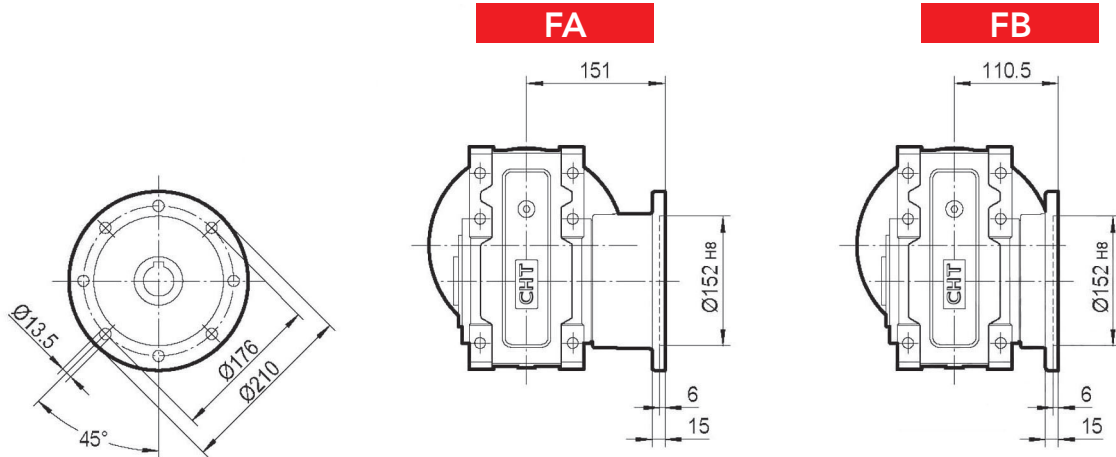
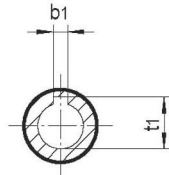
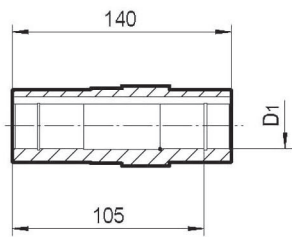
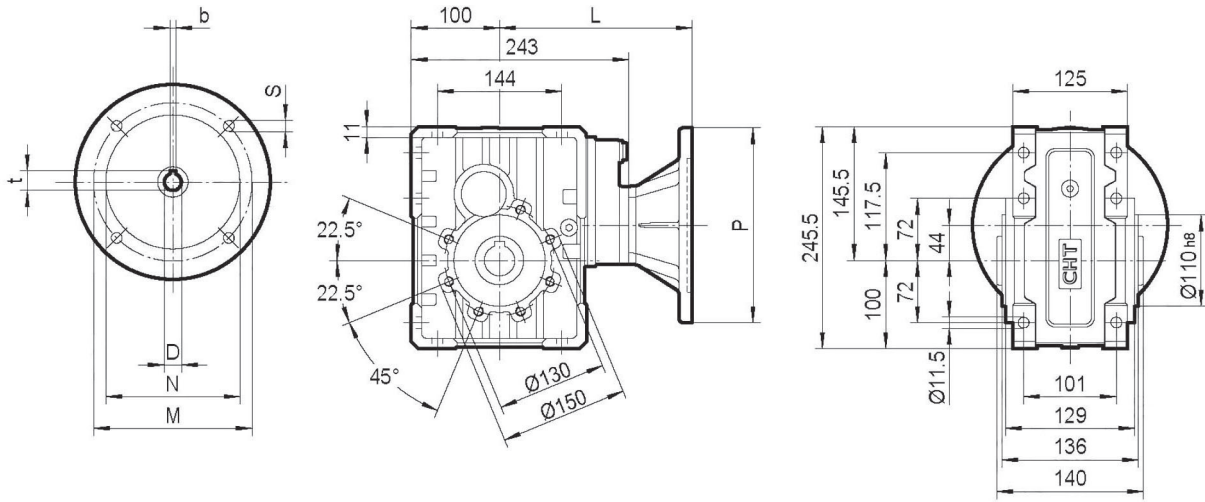


IEC	DE8	b	t	P	M	N	S	T	L	D1 H8	b1	t1
63B5	11	4	12.8	140	115	95	9	4	155	35	10	38.3
71B5	14	5	16.3	160	130	110	9	4	162			
80B5	19	6	21.8	200	165	130	11	4	182			
80B14	19	6	21.8	120	100	80	7	4	182			
90B5	24	8	27.3	200	165	130	11	4	182			
90B14	24	8	27.3	140	115	95	9	4	182			
100/112B5	28	8	31.3	250	215	180	13.5	4.5	192			
100/112B14	28	8	31.3	160	130	110	9	4.5	192			

Weight 13.5 Kg excluding motor



CHO 83



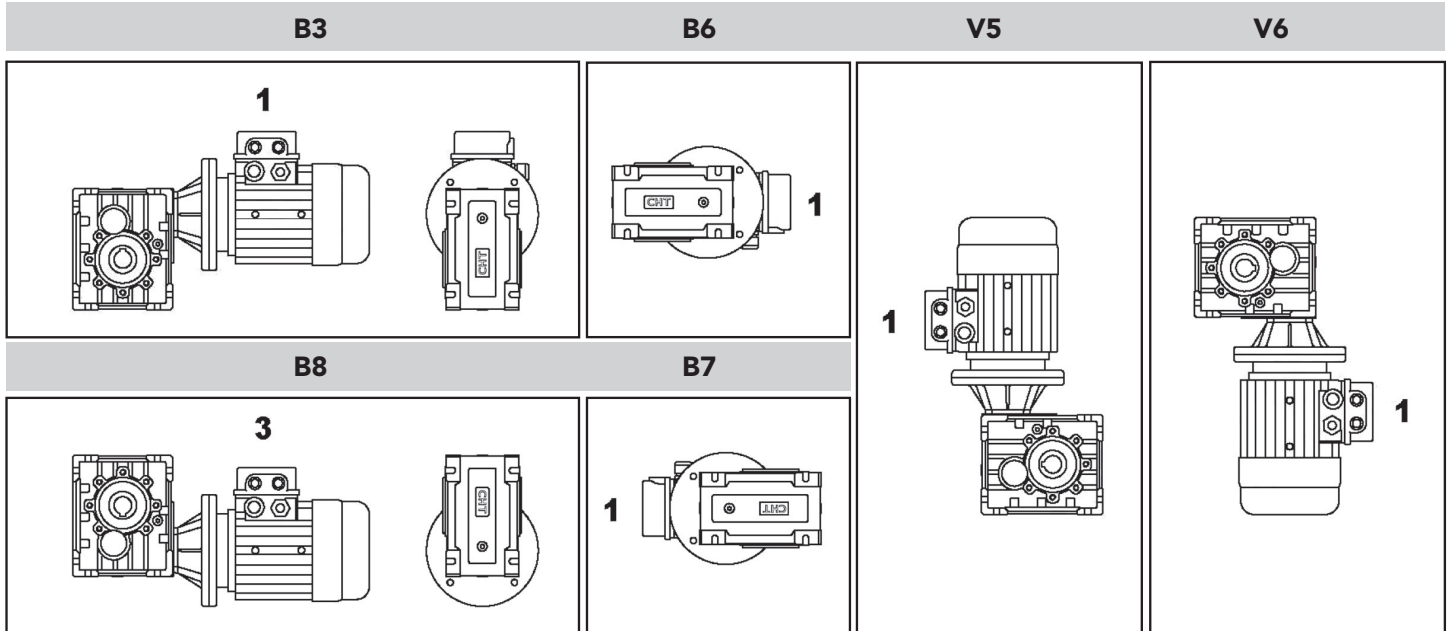
IEC	DE8	b	t	P	M	N	S	T	L	D1 H8	b1	t1
63B5	11	4	12.8	140	115	95	9	4	195	35	10	38.3
71B5	14	5	16.3	160	130	110	9	4	202			
80B5	19	6	21.8	200	165	130	11	4	222			
80B14	19	6	21.8	120	100	80	7	4	222			
90B5	24	8	27.3	200	165	130	11	4	222			
90B14	24	8	27.3	140	115	95	9	4	222			
100/112B5	28	8	31.3	250	215	180	13.5	4.5	232			
100/112B14	28	8	31.3	160	130	110	9	4.5	232			

Weight 13.5 Kg excluding motor

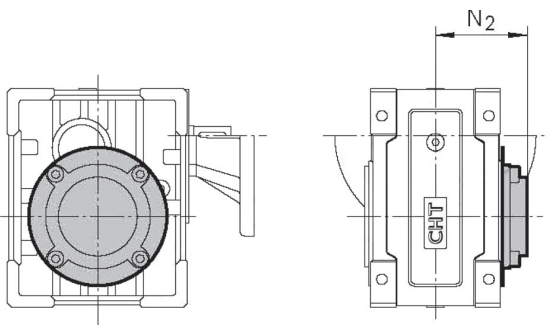


ACCESSORIES

MOUNTING POSITIONS



COVER



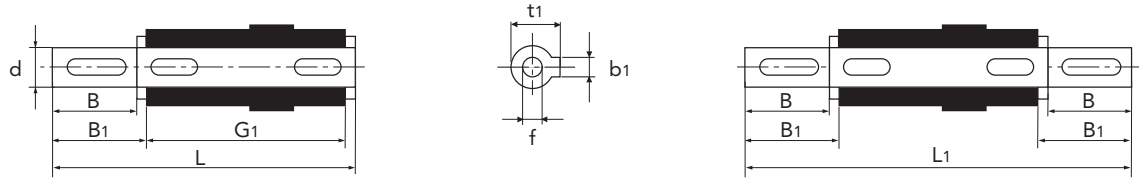
TYPE	N ₂
CHO 52/53	59
CHO 62/63	70
CHO 72/73	85.5
CHO 82/83	93.5



DIMENSION SHEET

ACCESSORIES

OUTPUT SHAFT



SS

DS

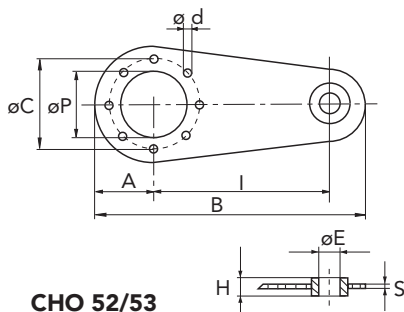
TYPE	d_{h6}	B	B ₁	G ₁	L	L ₁	f	b ₁	t ₁
CHO 52/53	25	50	53.5	92	153	199	M10	8	28
CHO 62/63	25	60	65	120	192	246.4	M8	8	28
CHO 72/73-28	28	60	65	127	199	255	M8	8	31
CHO 72/73-30	30	60	65	127	199	255	M10	8	33
CHO 82/83	35	60	65	140	214	268	M12	10	38



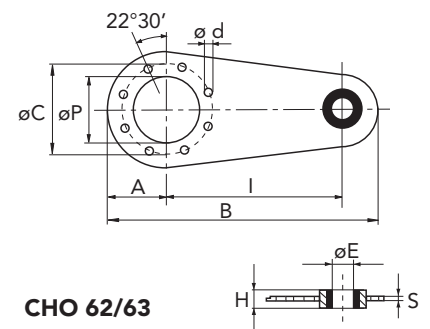
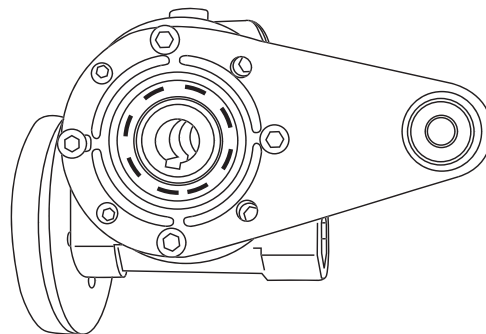
TORQUE ARM

117

TYPE	I	A	B	Ø P	Ø C	Ø d	H	øE	S
CHO 52/53	100	50	168	70	85	9	14	10	4
CHO 62/63	150	52.5	232.5	75	90	9	20	10	6
CHO 72/73	200	62.5	300	90	110	9	25	20	6
CHO 82/83	200	75	312,5	110	130	11	25	20	6



CHO 52/53



CHO 62/63
CHO 72/73
CHO 82/83

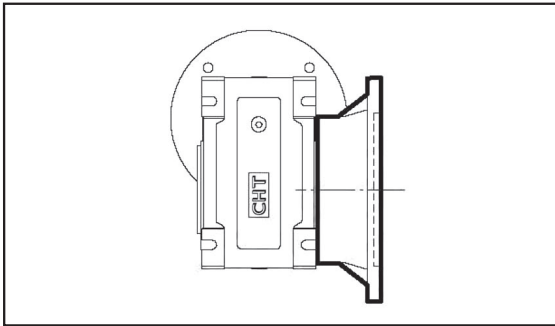
The anchoring point of the torque arm is equipped with a vibration resistant bushing.



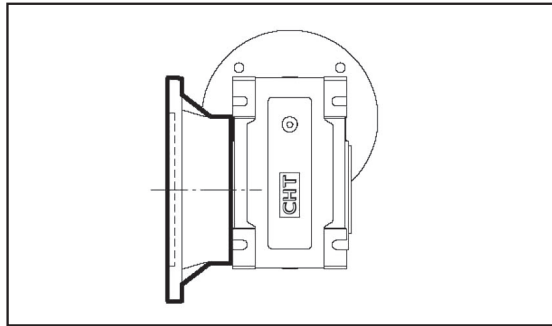
FLANGE, SHAFTS AND TERMINAL BOXES MOUNTING POSITION

POSITION DIAGRAM FOR OUTPUT

FA1, FB1, FC1, FD1, FE1



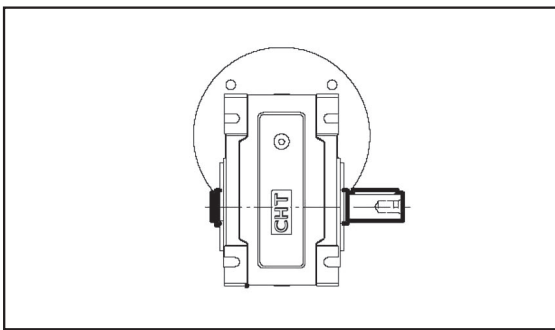
FA2, FB2, FC2, FD2, FE2



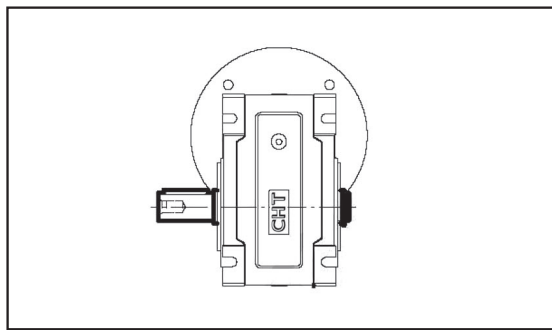
Unless specified otherwise, the reduction unit is supplied with the flange in pos. F.1 referred to position B3.

POSITION DIAGRAM FOR SINGLE OUTPUT

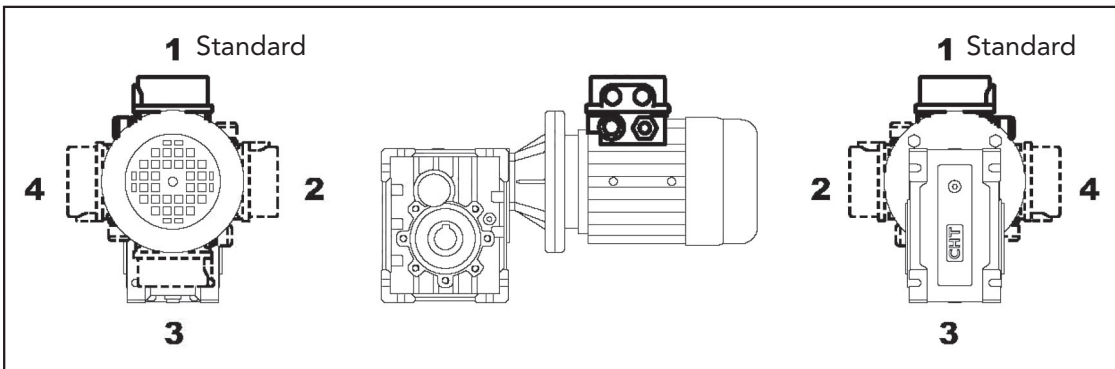
SS1



SS2



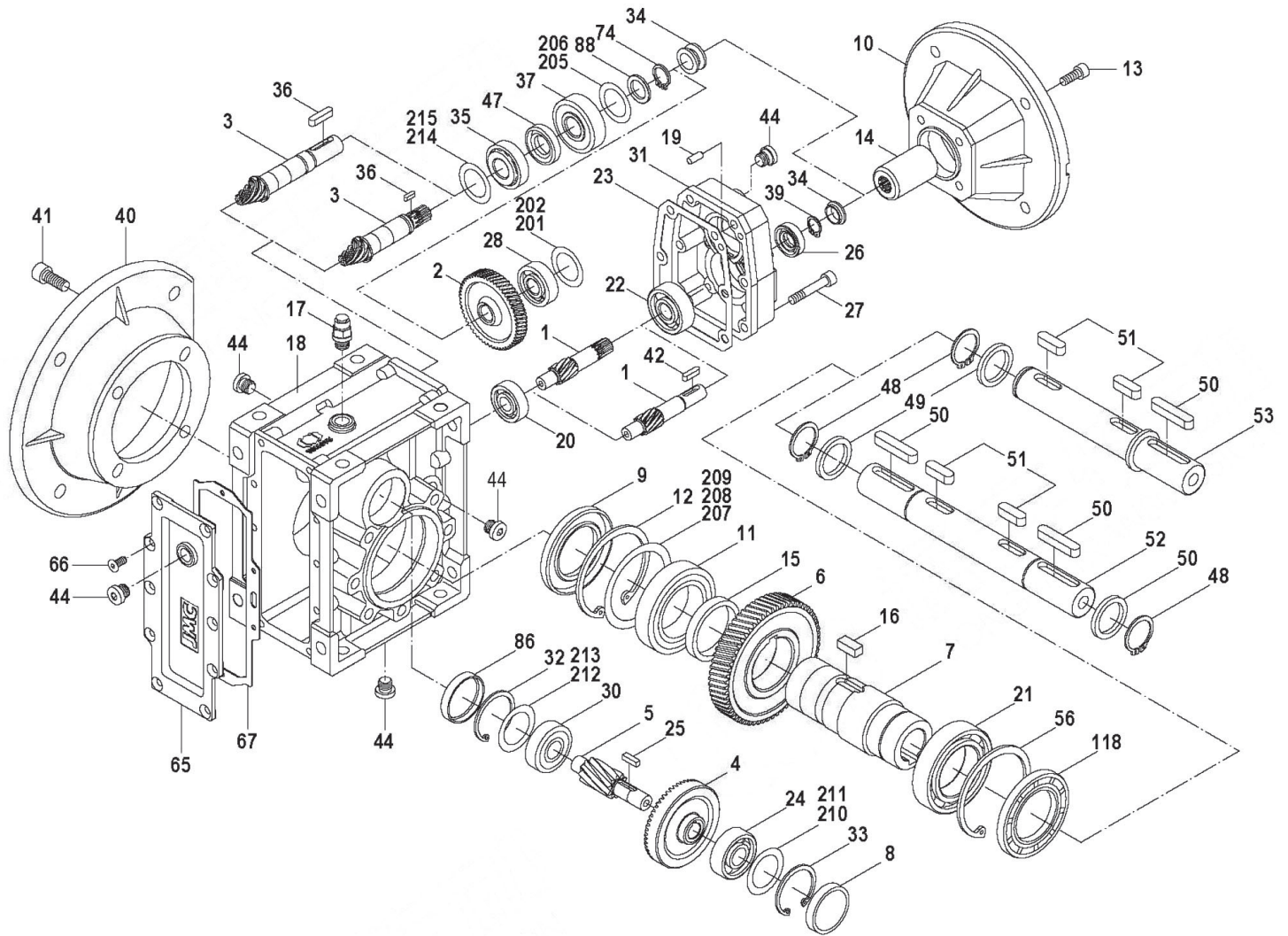
POSITION OF TERMINAL BOX



In the case of specific requirements, when ordering, specify the position of the terminal box as shown in the diagram.



EXPLODED DRAWING AND SPARE PARTS LIST



1	PINION	39	SHAFT-CIRCLIP
2	GEAR	40	OUTPUT FLANGE
3	PINION SHAFT	41	INNER HEX SCREW
4	GEAR	42	KEY
5	PINION SHAFT	44	OIL PLUG
6	GEAR	47	OIL SEAL
7	HOLLOW SHAFT	48	SHAFT-CIRCLIP
8	CLOSING CAP	49	GASKET
9	OIL SEAL	50	KEY
10	INPUT FLANGE	51	KEY
11	BEARING	52	DOUBLE OUTPUT SHAFT
12	HOLE-CIRCLIP	53	DOUBLE OUTPUT SHAFT
13	INNER HEX SCREW	56	HOLE-CIRCLIP
14	INPUT SHAFT	65	GEARCASE COVER
15	SPACER	66	HEXAGON SCREW
16	KEY	67	RUBBER GASKET
17	BREATHER VALVE	74	SHAFT-CIRCLIP
18	GEARCASE	86	CLOSING CAP
19	STIFTE	88	WASHER
20	BEARING	118	OIL SEAL
21	BEARING	201	SHIM RING
22	BEARING	202	SHIM RING
23	HOUSING GASKET	205	SHIM RING
24	BEARING	206	SHIM RING
25	KEY	207	SHIM RING
26	OIL SEAL	208	SHIM RING
27	INNER HEX SCREW	209	SHIM RING
28	BEARING	210	SHIM RING
30	BEARING	211	SHIM RING
31	3 STAGE GEARCASE	212	SHIM RING
32	HOLE-CIRCLIP	213	SHIM RING
33	HOLE-CIRCLIP	214	SHIM RING
34	RUBBER RING	215	SHIM RING
35	BEARING	216	SHIM RING
36	KEY	217	SHIM RING
37	BEARING		



INSTALLATION

- The data shown on the identification name plate must correspond to the gearbox ordered.
- The oil level must correspond to the quantity foreseen for the assembly position requested (see catalogue).
- All of the other gearboxes are supplied complete with permanent synthetic oil in a quantity that is sufficient for any assembly position.
- The gearbox must be fixed on a flat surface that is sufficiently rigid in order to avoid any vibration.
- The gearbox and the axis of the machine to be driven must be perfectly aligned. In the event that knocks, overloading or blockage of the machine are foreseen, the client must install a limiting device, joints, overload cut-out etc.
- Coupling with pinions, joints, pulleys and other parts must be done after the parts have been cleaned and knocks should be avoided while assembling as they could damage the bearings and other internal parts.
- In the event that the motor is supplied by the client, he must check that the flange and shaft tolerances correspond to a "normal" class; our motors satisfy this requirement.
- Check that the fixing screws for the gear and the related accessories are correctly tightened.
- Take suitable measures to protect the groups from any aggressive atmospheric agents.
- Where foreseen, protect rotating parts from any possible contact with the operators.
- If the gears are painted, protect the oil seals and the machined surfaces gearboxes.
- All of the gears are painted RAL 9022 grey.

OPERATION AND RUNNING-IN

- To obtain the best performance the gearboxes must first be run-in by gradually increasing the power in the first few hours of operation, in this phase an increase in temperature is considered normal.
- In the event of defective operation, noise, oil leakage, etc. stop the gear immediately and, when possible, remove the cause. Alternatively, send the piece to our factory to be controlled.

MAINTENANCE see page 93

- The helical gearboxes are lubricated with mineral, oil do not mix with synthetic oil. Check oil level regularly.

WAREHOUSE STORAGE

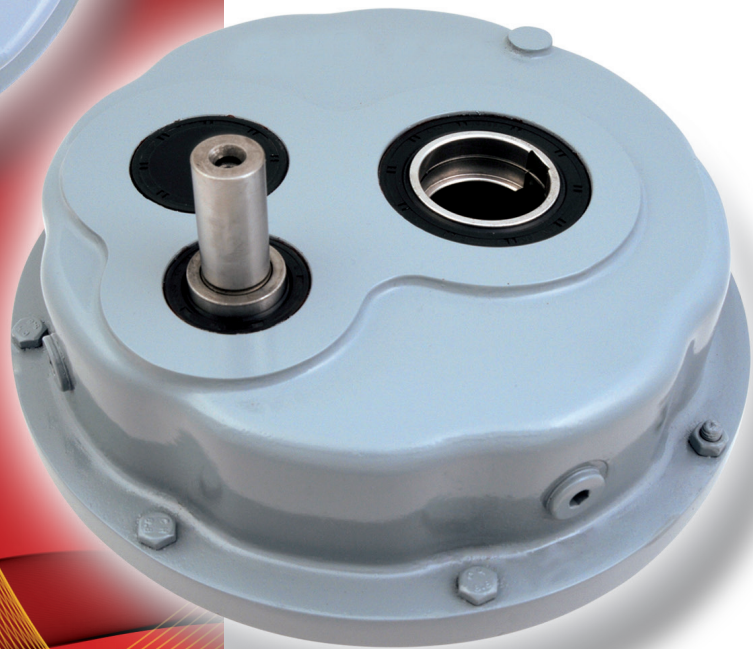
- If the warehouse storage will be for a long time, more than 3 months, the shafts and machined surfaces should be protected using antioxidants and the oil seals should be greased.

HANDLING

- Care must be taken not to damage the oil seals and the machined surfaces when handling the groups.

DISPOSAL OF PACKAGING

- The packaging in which our gears are delivered should be sent to specialised companies for recycling if possible.



**CHA SHAFT MOUNTED
SPEED REDUCERS**



INTRODUCTION

CHA shaft mounted gear units have been conceived to be mainly used for belt conveyors, because of backstop system mounting possibility they can be used on inclined planes assuring the system irreversibility.

The reducers are manufactured with GG20 painted cast iron cases and grinded gears 21NiCrMo2 material.

PRODUCT FEATURES

- High efficiency
- Low noise
- Easy mounting
- Backstop mounting possibility

CHA gearboxes are manufactured in 8 sizes. Other ratios available on request.



POWER P

$$P_1 \cdot \eta = P_2$$

P_1 = Input power

P_2 = Output power

η = Transmission efficiency

ROTATION SPEED n

n_1 = Input speed

n_2 = Output speed

An output speed ≤ 1400 rpm is suggested so as to optimize the working condition and extend the service life.

TRANSMISSION RATIO i

$$i = \frac{n_1}{n_2}$$

TORQUE M

$$M_2 = \frac{9550 \cdot P_1 \cdot \eta}{n_2} \quad [\text{Nm}]$$

$$M_2 \geq M_{2n} \cdot f_s \quad [\text{Nm}]$$

M_2 = Output torque

M_{2n} = Rated output torque

P_1 = Input power

η = Transmission efficiency

f_s = Service factor

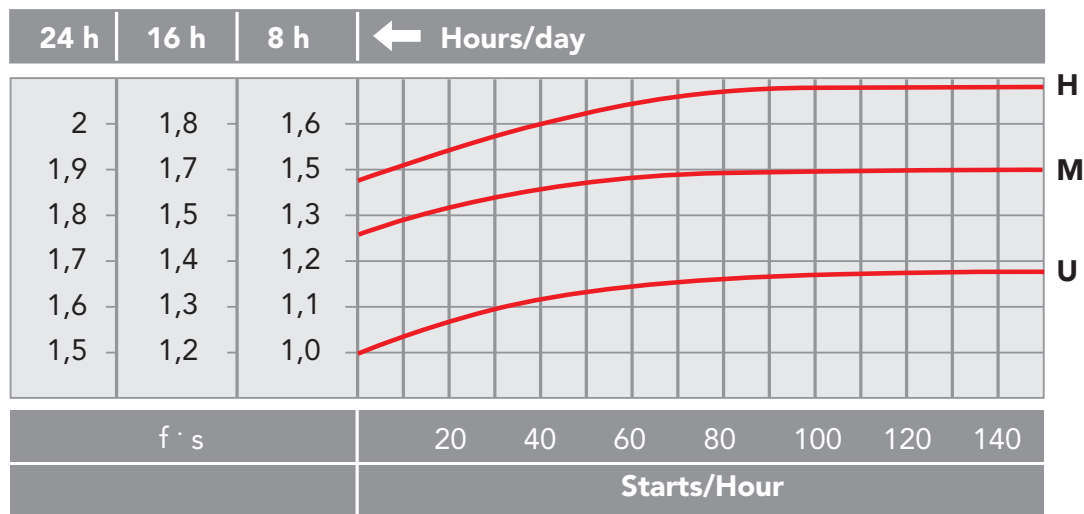


SERVICE FACTOR F_s

The service factor mainly depends on three parameters:

- type to load: U - M - H
- run time: h/day
- start-up frequency: na/h

U = uniform
M = moderate
H = heavy
na/h = starts/hour



LOAD TYPE/APPLICATION

- U** Conveyor belts for light weights - centrifugal pumps - lifts - bottling machines
- M** Conveyor belts for heavy weights - packing machines - wood working machines - gear pumps
- H** Mixers - bucket elevators - tooling machines - machinery for bricks - vibrators



RADIAL LOADS F_R

The radial loads is proportional to the requested torque and inversely proportional to the transmission member diameter following this formula.

$$F_R = \frac{2000 \cdot T \cdot T.e.f.}{D} \left[N \right]$$

F_R = Radial load
 T = Nm (Torque)
T.e.f. = Transmission element factor
T.e.f. = 1,15 gear
= 1,4 chain sprocket
= 1,75 v-pulley
= 2,5 flat-pulley
 D = Transmission element diameter
 R_{n1} = Radial load allowed on input shaft

Relationship between radial load F_R e R_{n1} must be provided according to following representation.

$$F_R \leq F_{n1}$$

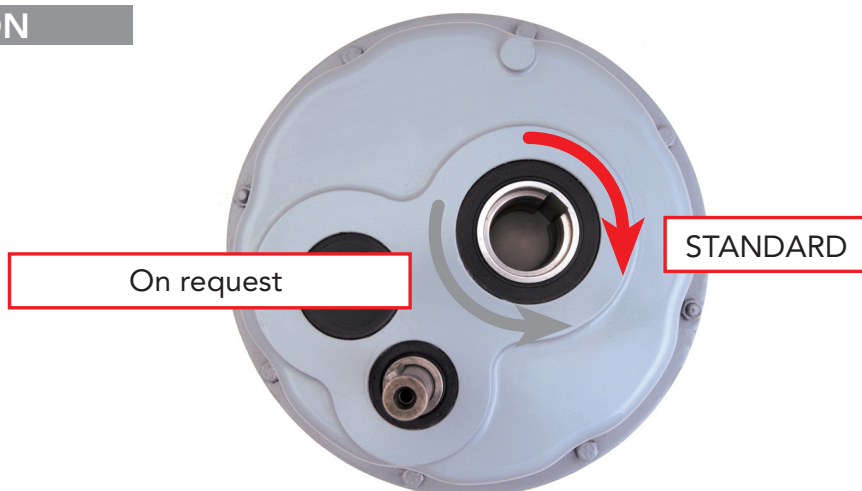


BACKSTOP DEVICE

125

On request it is possible to have, with the exception of CHA 30, the backstop device. The direction of free rotation must be specified when the order is placed.

ROTATION





Gears of CHA gear unit series run at oil bath and lubrication could be provided with splashing. Applicable plug position and oil quantity are given at tables according to variable mounting positions. Suitable checking of oil level must always be according to center of oil-level plug or with dipstick. Sometimes, there are possibility difference between oil-level and oil quantity which is given at table.

LUBRICATION (Litres)							
CHA 30	CHA 35/2	CHA 40/2	CHA 45/2	CHA 50/2	CHA 60/2	CHA 70/2	CHA 80/2
0.5	1.1	1.8	3.6	7.3	7.5	14.0	11.0

NOTE: The gearboxes are supplied without oil.

VALUE OF VISCOSITY ACCORDING TO TYPE OF LOAD AND TEMPERATURE				
Type of loads	CHA 0°C - 20°C		CHA 20°C - 40°C	
	Mineral Oil ISO VG	Synthetic Oil ISO VG	Mineral Oil ISO VG	Synthetic Oil ISO VG
Uniform load	150	150	220	220
Medium load	150	150	320	220
Heavy load	200	200	460	320

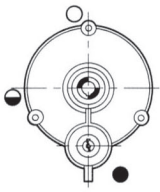
For choosing suitable oil, you must consider viscosity values which are specified according to type of load and ambient temperature on above table.



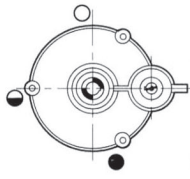


MOUNTING POSITION

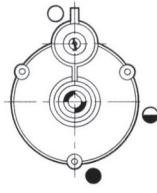
CHA 30/1



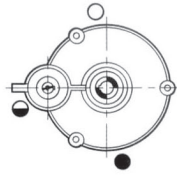
A



B

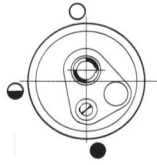


C

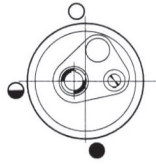


D

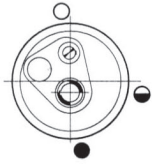
CHA 35/2 · CHA 50/2 · CHA 60/2 · CHA 70/2



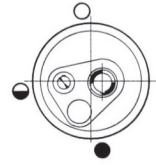
A



B

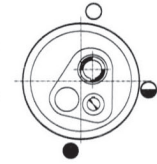


C

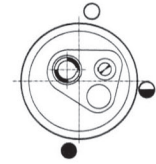


D

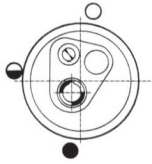
CHA 40/2 · CHA 45/2 · CHA 80/2



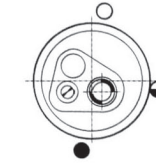
A



B



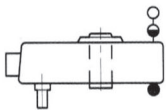
C



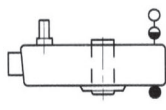
D

CHA 30/1

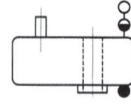
CHA 35/2 & CHA 80/2



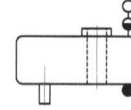
VA



VB



VA



VB

- Vent plug - Filler plug
- ◐ Level plug
- Drain plug



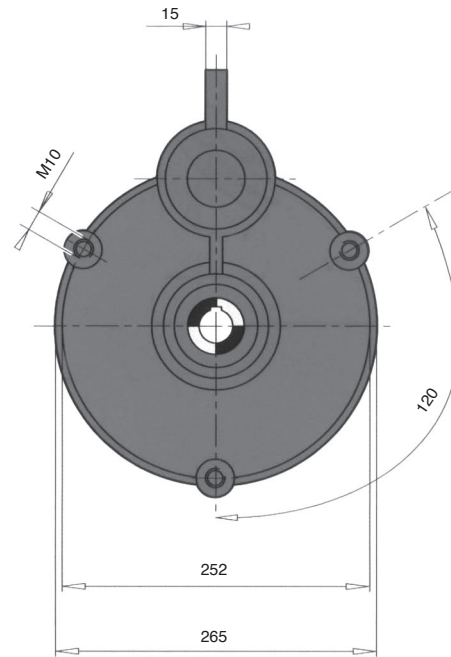
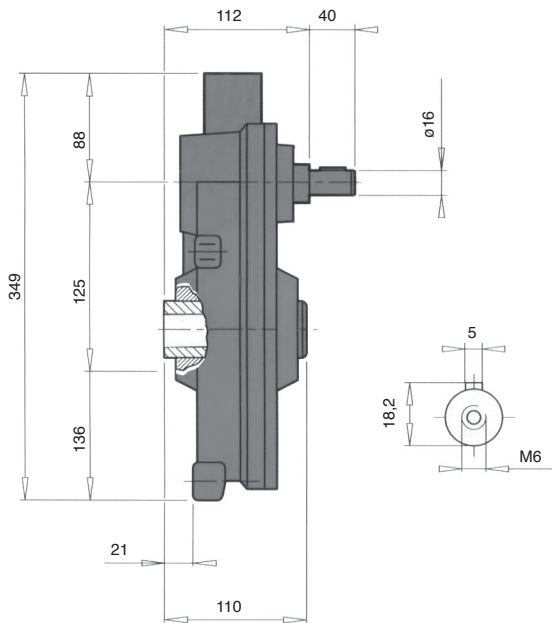
GEAR UNIT SELECTION TABLE

		CHA 30/1/30		CHA 35/2/35				CHA 40/2/40-45					CHA 45/2/45-50-55				
		10	12,7	10	15	20	25	10	15	20	25	33	10	15	20	25	30
$n_1 = 1400 \text{ min}^{-1}$	$n_2 \text{ min}^{-1}$	140	110	140	93	71	56	140	93	71	56	42	140	93	71	56	46
	$Mn_2 \text{ Nm}$	130	130	315	330	360	380	630	715	740	760	760	1050	1140	1190	1235	1235
	$Pn_1 \text{ kW}$	2	1,5	4,8	3,4	2,8	2,4	9,7	7,3	5,8	4,7	3,5	16,2	11,7	9,3	7,6	6,3
	$Rn_1 \text{ N}$	350	350	500	500	500	500	850	850	850	850	850	1150	1150	1150	1150	1150
$n_1 = 900 \text{ min}^{-1}$	$n_2 \text{ min}^{-1}$	90	71	90	60	46	36	90	60	46	36	27	90	60	46	36	30
	$Mn_2 \text{ Nm}$	140	140	368	380	380	380	788	760	760	810	850	1260	1190	1235	1300	1300
	$Pn_1 \text{ kW}$	1,3	1	3,7	2,5	1,9	1,5	7,8	5	3,8	3,2	2,6	12,5	7,9	6,2	5,1	4,2
	$Rn_1 \text{ N}$	400	400	600	600	600	600	950	950	950	950	950	1300	1300	1300	1300	1300
$n_1 = 500 \text{ min}^{-1}$	$n_2 \text{ min}^{-1}$	50	39	50	33	25	20	50	33	25	20	15	50	33	25	20	16
	$Mn_2 \text{ Nm}$	170	170	420	400	400	420	840	850	850	900	920	1365	1300	1350	1400	1400
	$Pn_1 \text{ kW}$	0,9	0,7	2,3	1,4	1,1	0,9	4,6	2,9	2,4	1,9	1,5	7,6	4,7	3,8	3	2,5
	$Rn_1 \text{ N}$	500	500	750	750	750	750	1200	1200	1200	1200	1200	1650	1650	1650	1650	1650

		CHA 50/2/50 - 55 - 60					CHA 60/2/60		CHA 70/2/70			CHA 80/2/80	
		10	15	20	25	30	15	20	10	15	20	15	20
$n_1 = 1400 \text{ min}^{-1}$	$n_2 \text{ min}^{-1}$	140	93	69	56	47	93	69	139	93	70	93	69
	$Mn_2 \text{ Nm}$	1838	1805	2048	1900	2100	3040	3413	3990	4180	4725	5795	6405
	$Pn_1 \text{ kW}$	28,4	18,5	15,5	11,7	10,8	31,4	26,3	62	42,8	35,7	59,9	48,3
	$Rn_1 \text{ N}$	1700	1700	1700	1700	1700	2600	2600	3400	3400	3400	4200	4200
$n_1 = 900 \text{ min}^{-1}$	$n_2 \text{ min}^{-1}$	90	60	44	36	30	60	44	89	60	45	60	44
	$Mn_2 \text{ Nm}$	1995	1850	2100	1995	2205	3135	3570	4620	4275	4830	5985	6615
	$Pn_1 \text{ kW}$	19,7	12,3	10,3	7,9	7,2	20,9	17,4	46,2	28,5	23,1	39,9	32,6
	$Rn_1 \text{ N}$	1900	1900	1900	1900	1900	2900	2900	3800	3800	3800	4700	4700
$n_1 = 500 \text{ min}^{-1}$	$n_2 \text{ min}^{-1}$	50	33	24,5	20	16,5	33	24,5	50	33	25	33	24,5
	$Mn_2 \text{ Nm}$	2100	2100	2205	2300	2415	3500	3728	4725	4900	5250	6600	6930
	$Pn_1 \text{ kW}$	11,6	7,3	6	4,8	4,4	12,4	10,1	26,3	17,1	14,3	22,8	18,8
	$Rn_1 \text{ N}$	2400	2400	2400	2400	2400	3600	3600	4750	4750	4750	5900	5900



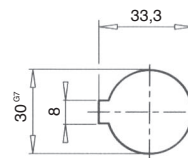
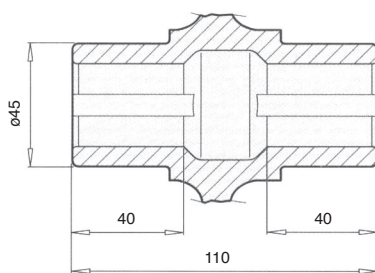
CHA 30/1/30



Weight Kg 19

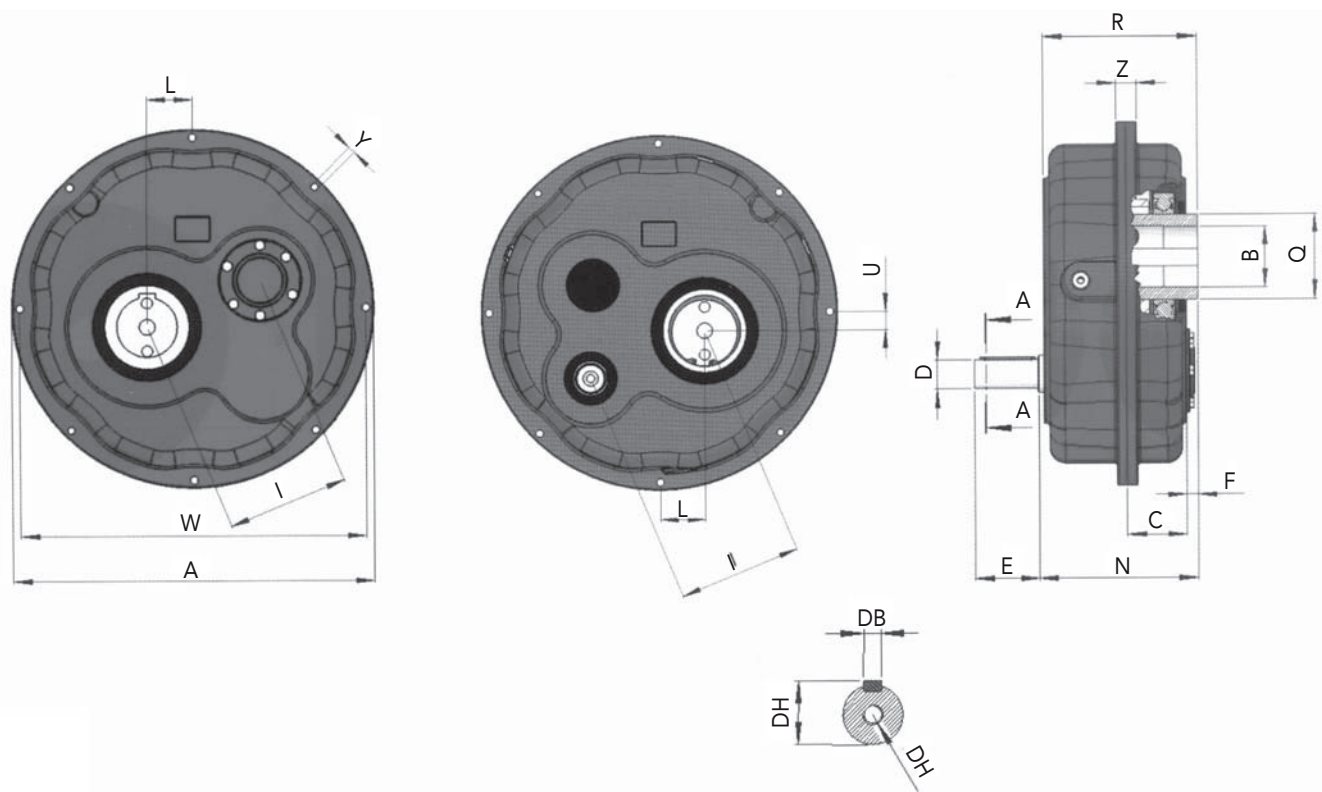
129

OUTPUT SHAFT





DIMENSION SHEET

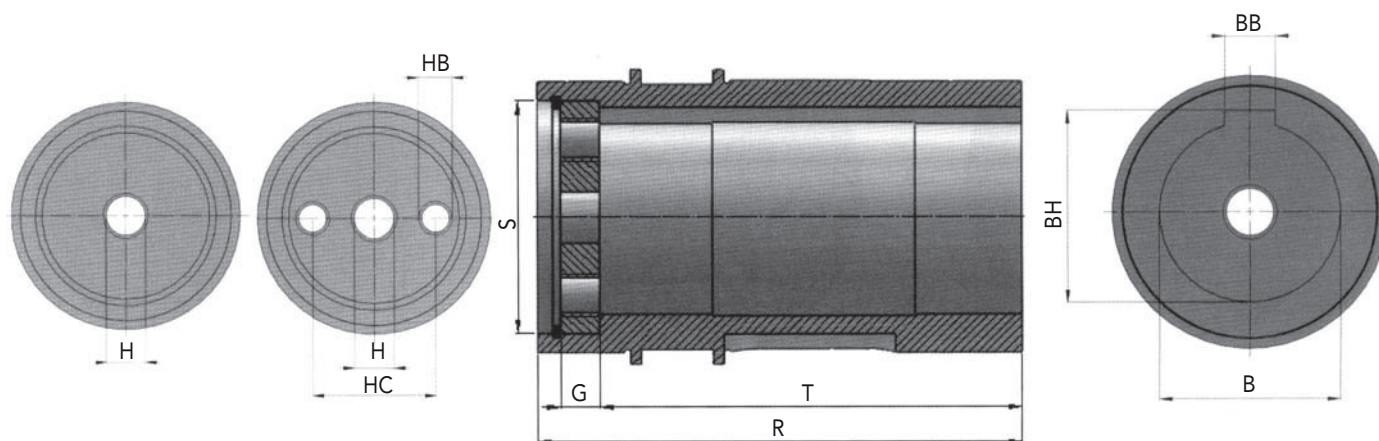


Dimensions

Type	A	B ^{G7}	C	D	DB	DH	DM	E	F	I	L	N	Q	R	U	W	Y	Z	Kg
CHA 35/2/35	265	35	44	19	6	21,5	M6	40	12	83	23	126	50	124	21	240	8,5	20,5	18
CHA 40/2/40	322	40	57	24	8	27	M8	50	11	112	30	150	60	144	22	302	8,5	20,5	28
CHA 40/2/45	322	45	57	24	8	27	M8	50	11	112	30	150	60	144	22	302	8,5	20,5	28
CHA 45/2/45	364	45	62	28	8	31	M10	60	15	123	34	164	75	162	33	344	9	20,5	38
CHA 45/2/50	364	50	62	28	8	31	M10	60	15	123	34	164	75	162	33	344	9	20,5	38
CHA 45/2/55	364	55	62	28	8	31	M10	60	15	123	34	164	75	162	33	344	9	20,5	37
CHA 50/2/50	434	50	66	38	10	42	M12	80	15	143	40	190	85	182	46	410	11	24,5	58
CHA 50/2/55	434	55	66	38	10	42	M12	80	15	143	40	190	85	182	46	410	11	24,5	58
CHA 50/2/60	434	60	66	38	10	42	M12	80	15	143	40	190	85	182	46	410	11	24,5	58
CHA 60/2/60	498	60	73	38	10	42	M12	80	15	174	47	205	100	199	48	468	13	28,5	97
CHA 60/2/70	498	70	73	38	10	42	M12	80	15	174	47	205	100	199	48	468	13	28,5	97
CHA 70/2/70	550	70	84	42	12	45	M12	110	18	188	52	228	120	223	53	520	13	28,5	121
CHA 80/2/80	597	80	94	48	14	51,5	M16	110	21	207	58	255	140	249	58	570	13	32,5	160



OUTPUT SHAFT

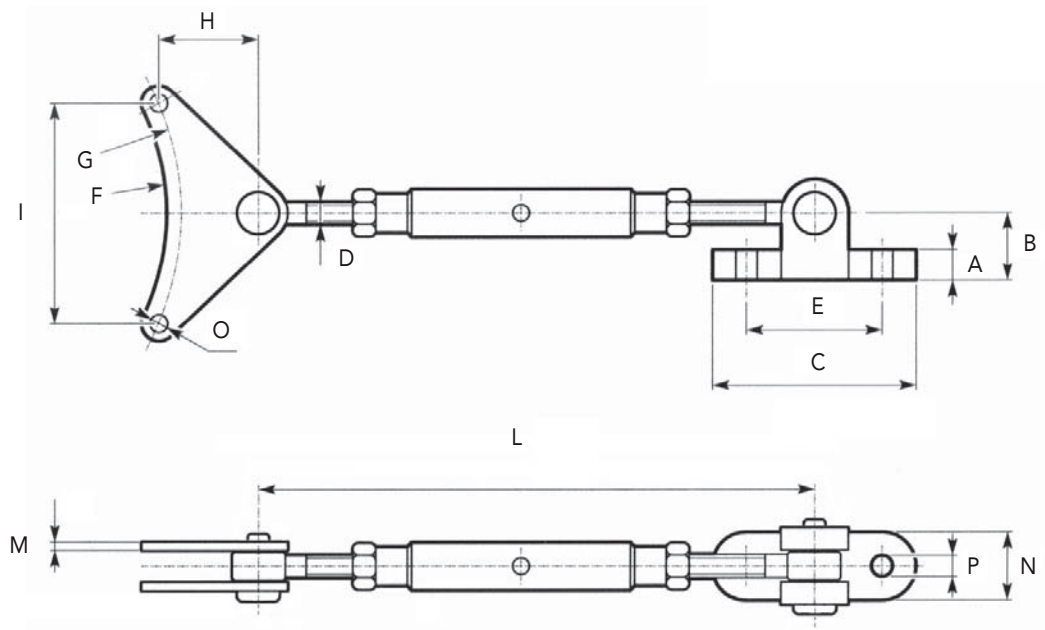


Dimensions

Type	B ^{G7}	BB	BH	G	H	HB	HC	R	S	T
CHA 30/1/30	30	8	33,3	-	-	-	-	110	-	-
CHA 35/2/35	35	10	38,3	8	M12	-	-	124	40	106
CHA 40/2/40	40	12	43,3	8	M12	-	-	144	52	124
CHA 40/2/45	45	14	47,3	8	M12	-	-	144	52	124
CHA 45/2/45	45	14	48,8	10	M16	-	-	162	62	140
CHA 45/2/50	50	14	53,8	10	M16	-	-	162	62	140
CHA 45/2/55	55	16	59,3	10	M16	-	-	162	72	140
CHA 50/2/50	50	14	53,8	10	M16	-	-	182	62	160
CHA 50/2/55	55	16	59,3	10	M16	-	-	182	72	160
CHA 50/2/60	60	18	64,4	12	17	M12	42	182	72	160
CHA 60/2/60	60	18	64,4	12	17	M12	42	199	72	175
CHA 60/2/70	70	20	74,9	12	22	M16	50	199	90	175
CHA 70/2/70	70	20	74,9	12	22	M16	50	223	90	193
CHA 80/2/80	80	22	85,4	18	22	M16	60	249	95	219



TORQUE TENSION ARM



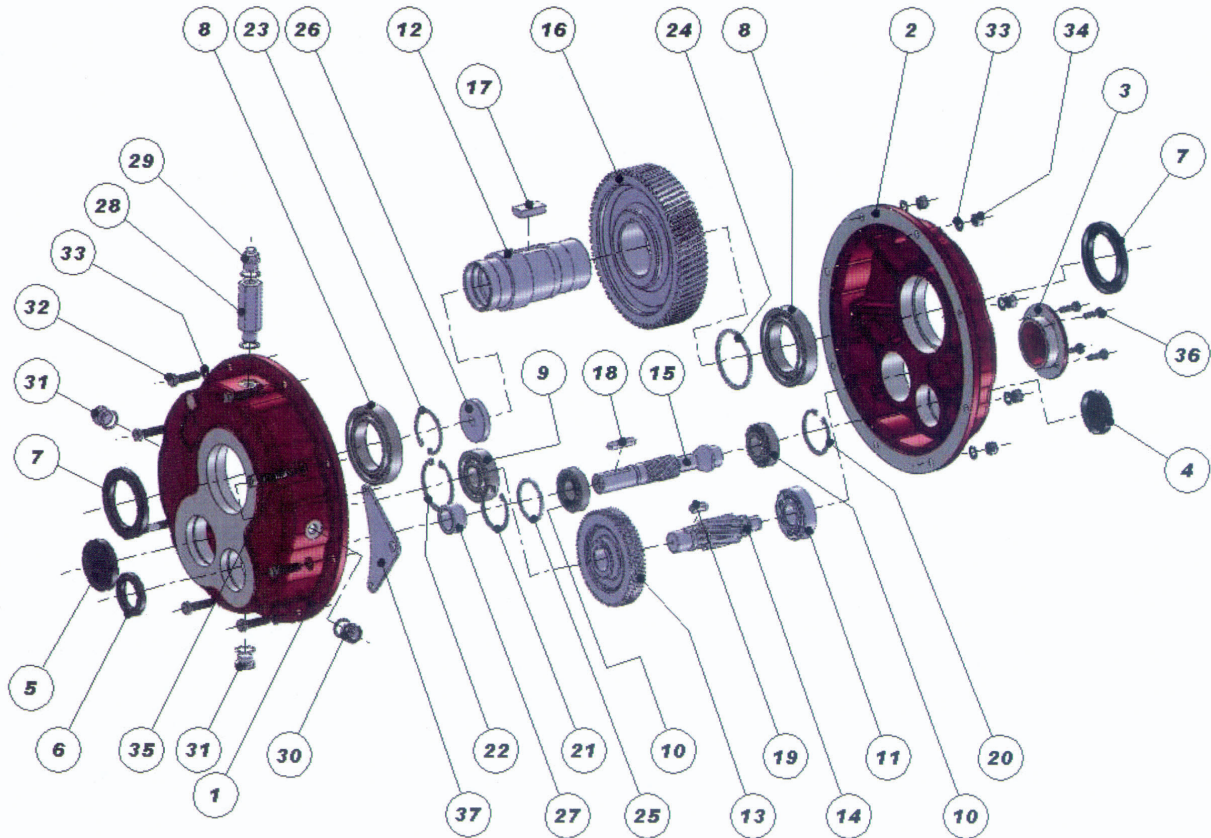
132

Type

Type	A	B	C	D	E	F	G	H	I	L _{Min}	L _{Max}	M	N	O	P
CHA 35/2	10	25	75	M10	50	111	120	45	92	200	300	4	25	8,5	8,5
CHA 40/2	16	35	105	M12	70	143	151	51	115,5	210	310	4	35	8,5	10,5
CHA 45/2	16	35	105	M12	70	164	172	57	132	210	310	5	35	10,5	10,5
CHA 50/2	18	40	115	M14	75	195	205	70	157	240	360	5	40	10,5	12,5
CHA 60/2	18	40	115	M14	75	221	234	84	179	240	360	5	40	12,5	12,5
CHA 70/2	20	45	135	M16	85	247	260	100	199	260	410	6	50	12,5	14,5
CHA 80/2	20	45	135	M16	85	272	285	102	218	260	410	6	50	13	14,5



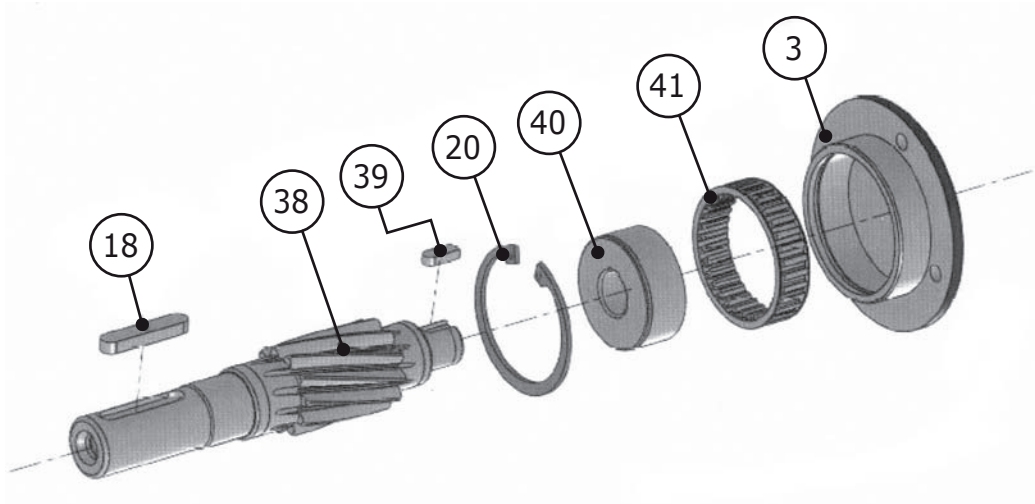
CHA DOUBLE STAGE



CHA DOUBLE STAGE

Part No	CHA 35/2	CHA 40/2	CHA 45/2	CHA 50/2	CHA 60/2	CHA 70/2	CHA 80/2
6	30/52/7	35/52/7	40/62/7	55/80/10	55/80/8	55/85/8	60/90/8
7	50/72/8	60/85/8	75/100/10	85/110/12	100/130/12	120/150/12	140/180/12
8	6010	6012	6015	6017	6020	6024	6028
9	6304	6305	6306	NJ 308 E	NJ 2209 E	NJ 2210 E	NJ 2211 E
10	6304	30205	30206	32208	32208	32209	32210
11	6205	NJ 305 E	NJ 306 E	NJ 308 E	NJ 2209 E	NJ 211 E	NJ 2211 E

1	CASE A	20	CIRCLIP
2	CASE B	21	CIRCLIP
3	CASE COVER	22	CIRCLIP
4	OIL COVER	23	CIRCLIP
5	OIL COVER	24	SUPPORTING DISC
6	SEAL	25	SUPPORTING DISC
7	SEAL	26	FIXING ELEMENT
8	BEARING	27	BUSH
9	BEARING	28	APPARATUS FOR EXTENSION
10	BEARING	29	VENT PLUG
11	BEARING	30	OIL LEVEL PLUG
12	OUTPUT SHAFT	31	DRAIN PLUG
13	DRIVEN GEAR	32	HEXAGONAL HEAD SCREW
14	PINION GEAR	33	WASHER
15	PINION GEAR	34	NUT
16	DRIVEN GEAR	35	STUD BOLT
17	KEY	36	HEXAGONAL SOCKET HEAD
18	KEY	37	BRACKET
19	KEY		



3	CASE COVER
18	KEY
20	CIRCLIP
38	PINION GEAR
39	KEY
40	BUSH
41	BACKSTOP



INSTALLATION

- The data shown on the identification name plate must correspond to the gearbox ordered.
- The oil level must correspond to the quantity foreseen for the assembly position requested (see catalogue).
- All of the other gearboxes are supplied complete with permanent synthetic oil in a quantity that is sufficient for any assembly position.
- In the event that knocks, overloading or blockage of the machine are foreseen, the client must install a limiting device, joints, overload cut-out etc.
- Coupling with pinions, joints, pulleys and other parts must be done after the parts have been cleaned and knocks should be avoided while assembling as they could damage the bearings and other internal parts.
- Check that the fixing screws for the gear and the related accessories are correctly tightened.
- Take suitable measures to protect the groups from any aggressive atmospheric agents.
- Where foreseen, protect rotating parts from any possible contact with the operators.
- If the gears are painted, protect the oil seals and the machined surfaces gearboxes.
- All of the gears are painted RAL 9022 grey.

OPERATION AND RUNNING-IN

- To obtain the best performance the gearboxes must first be run-in by gradually increasing the power in the first few hours of operation, in this phase an increase in temperature is considered normal.
- In the event of defective operation, noise, oil leakage, etc. stop the gear immediately and, when possible, remove the cause. Alternatively, send the piece to our factory to be controlled.

MAINTENANCE

- The gearboxes are supplied empty of oil and must be filled by the customer before used.

WAREHOUSE STORAGE

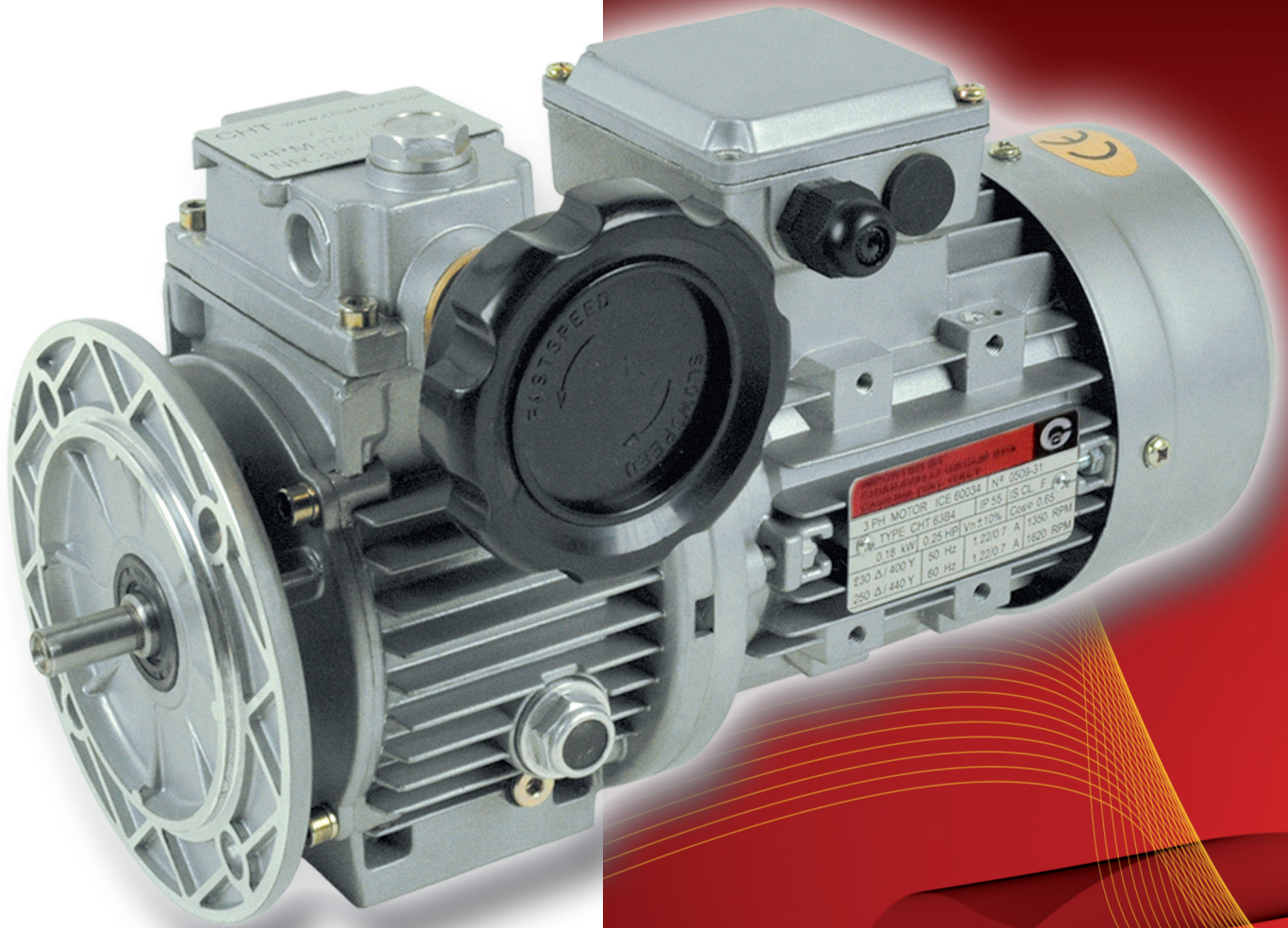
- If the warehouse storage will be for a long time, more than 3 months, the shafts and machined surfaces should be protected using antioxidants and the oil seals should be greased.

HANDLING

- Care must be taken not to damage the oil seals and the machined surfaces when handling the groups.

DISPOSAL OF PACKAGING

- The packaging in which our gears are delivered should be sent to specialised companies for recycling if possible.



SPEED VARIATORS CHV SERIES



SPEED VARIATORS CHV SERIES

Chiaravalli Group S.p.A. introduces his mechanical speed variators line with oil bath lubrication CHV series sizes 02-05-10-20-30-50, the main characteristics are the following:

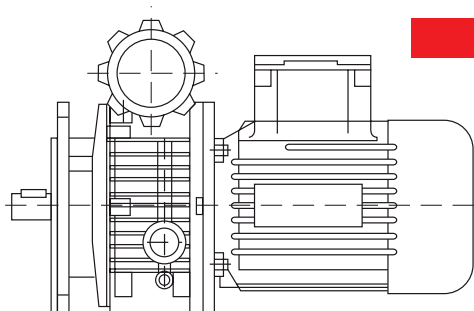
- Speed range 1:5
- Smooth and silent running
- Increasing torque at low speed
- High efficiency
- Input and output flange B5
- Compact design
- Aluminium cases sizes 02-05-10
- RAL 9022 grey painted



DESIGNATION

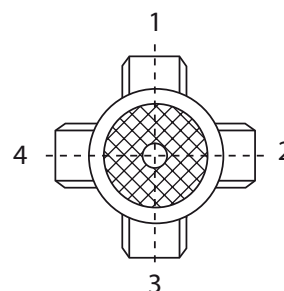
TYPE	SIZE	POWER Kw	POLES	VOLTAGE	FREQUENCY	T.BOX POS.	MOUNT. POS.
CHV	02	0.18 - 0.22	4	230/400	50HZ	1	B5
	05	0.37				2	V1
	10	0.75				3	V3
	20	1.1 - 1.5				4	
	30	2.2					
	50	3.0 - 4.0					

Mounting position

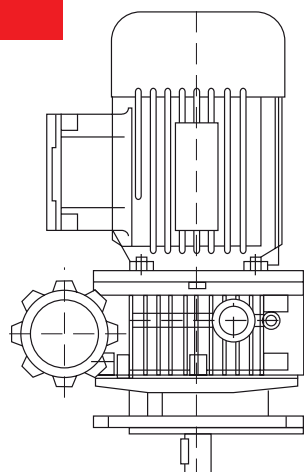


B5

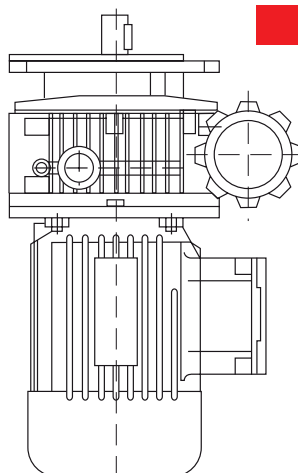
Terminal box position



V1



V3





PERFORMANCES WITH 4 POLES MOTORS

SPEED VARIATOR	POWER Kw	OUTPUT SPEED	OUTPUT TORQUE Nm
CHV 02	0.18	170 - 880	3.0 - 1.5
CHV 02	0.22	170 - 880	3.8 - 1.9
CHV 05	0.37	200 - 1000	6.0 - 3.0
CHV 10	0.75	200 - 1000	12 - 6.0
CHV 20	1.10	200 - 1000	18 - 9.0
CHV 20	1.50	200 - 1000	24 - 12
CHV 30	2.20	200 - 1000	36 - 18
CHV 50	3.00	200 - 1000	48 - 24
CHV 50	4.00	200 - 1000	64 - 32



LUBRICATION

Speed variators are supplied with lubrication oil for assembly position B5, for other positions it will be necessary to add oil, see following table.

OIL QUANTITY Kg						
CHV	02	05	10	20	30	50
B5	0.13	0.15	0.33	0.8	1.20	1.20
V1	0.3	0.4	0.85	1.40	2.15	2.15
V3	0.2	0.25	0.45	0.90	1.30	1.30

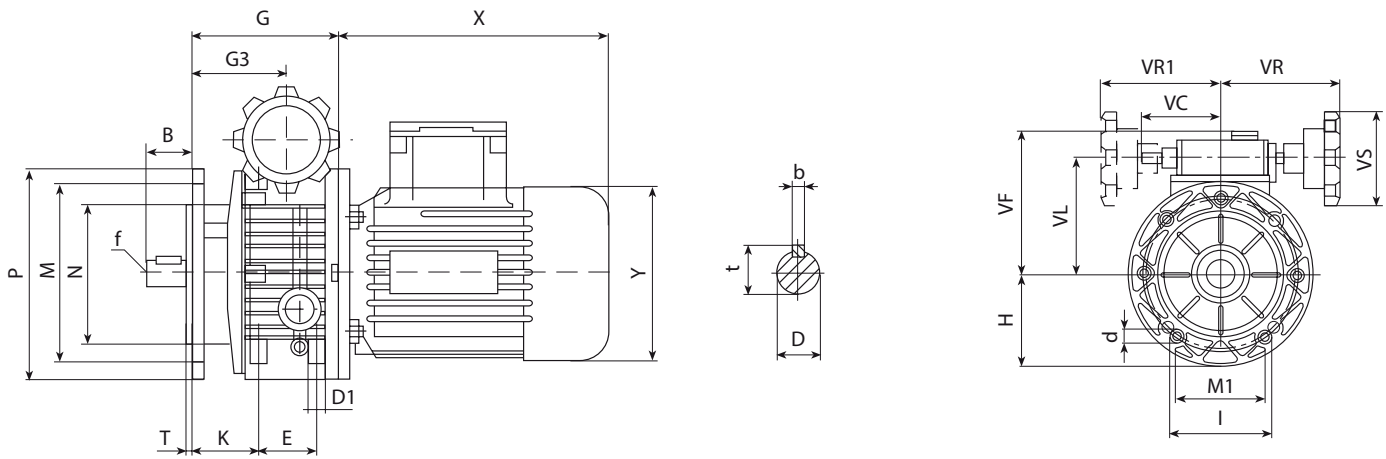


RECOMMENDED OILS

AGIP	A.T.F. DEXRON
ESSO	A.T.F. DEXRON
SHELL	A.T.F. DEXRON
BP	A.T.F. DEXRON



CHV 02/05/10/20/30/50 DIMENSIONS



	B	D(j6)	E	G	G3	H	I	M	M1	N	d	D1	P	T	K	VC	VF	VL	VR	VR1	VS	b	f	t	kg
CHV 02	23	11	50	112.5	64.5	70	72	115	60	95	9	M6	140	3.5	46	71	111	78	110	110	85	4	M5	12.5	3.4
CHV 05	30	14	40	110	74	80	90	130	76	110	9	M8	160	3.5	52.5	71	123	90	110	110	85	5	M6	16	4.7
CHV 10	40	19	58	139	85.5	100	98	165	84	130	11	M8	200	3.5	60	79	140	107	120	120	110	6	M6	21.5	7.8
CHV 20	50	24	-	188	115	126	241	165	-	130	11	-	200	3.5	-	-	144	122	150	-	110	8	M8	27	31
CHV 30	60	28	-	222	131	150	270	215	-	180	15	-	250	4	-	-	188	150	160	-	110	8	M10	33	55
CHV 50	60	28	-	222	131	150	270	215	-	180	15	-	250	4	-	-	188	150	160	-	110	8	M10	33	57



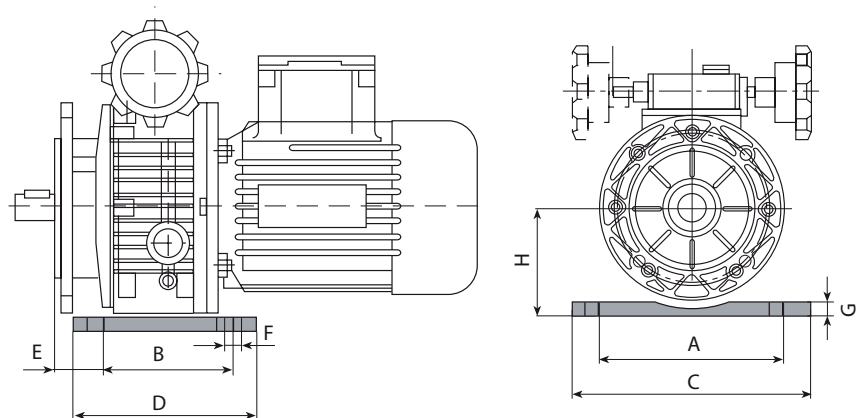
ACCESSORIES

Gravitational indicator

The gravitational indicator must be inserted into the handwheel and with a numerical scale it shows a reference link to the speed. Set the indicator moving the two hands to zero and put it into the handwheel after setting the variators to minimum speed. The gravitational indicator doesn't work with vertical handwheel axis.

Feet kit

CHV	02	05	10
A	110	120	160
B	105	104	125
C	145	149	190
D	120	125	150
E	15.5	20.5	26.5
F	9	9	11
G	10	12	14
H	82	93	113





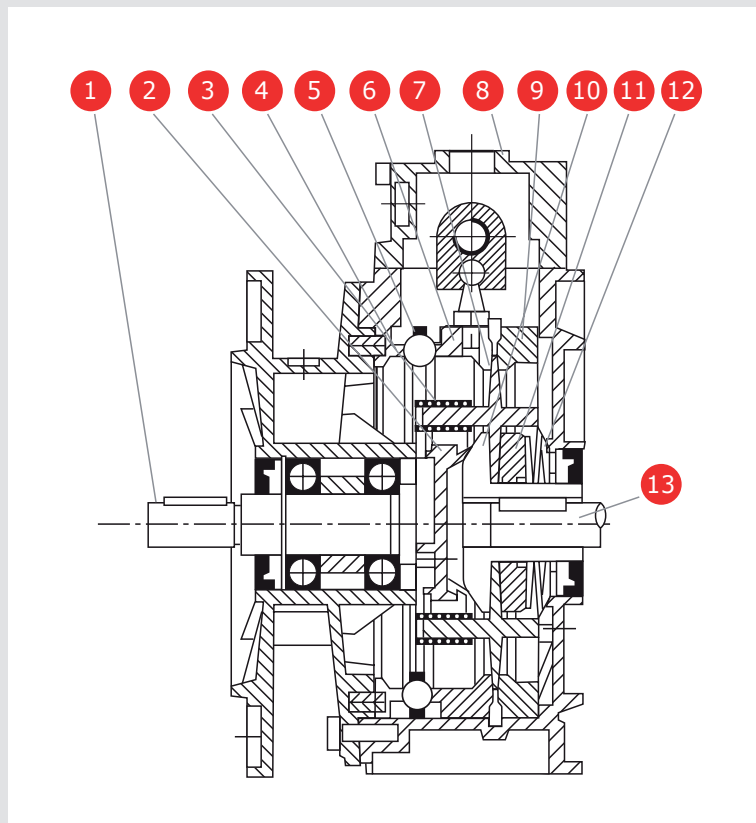
USE AND MAINTENANCE

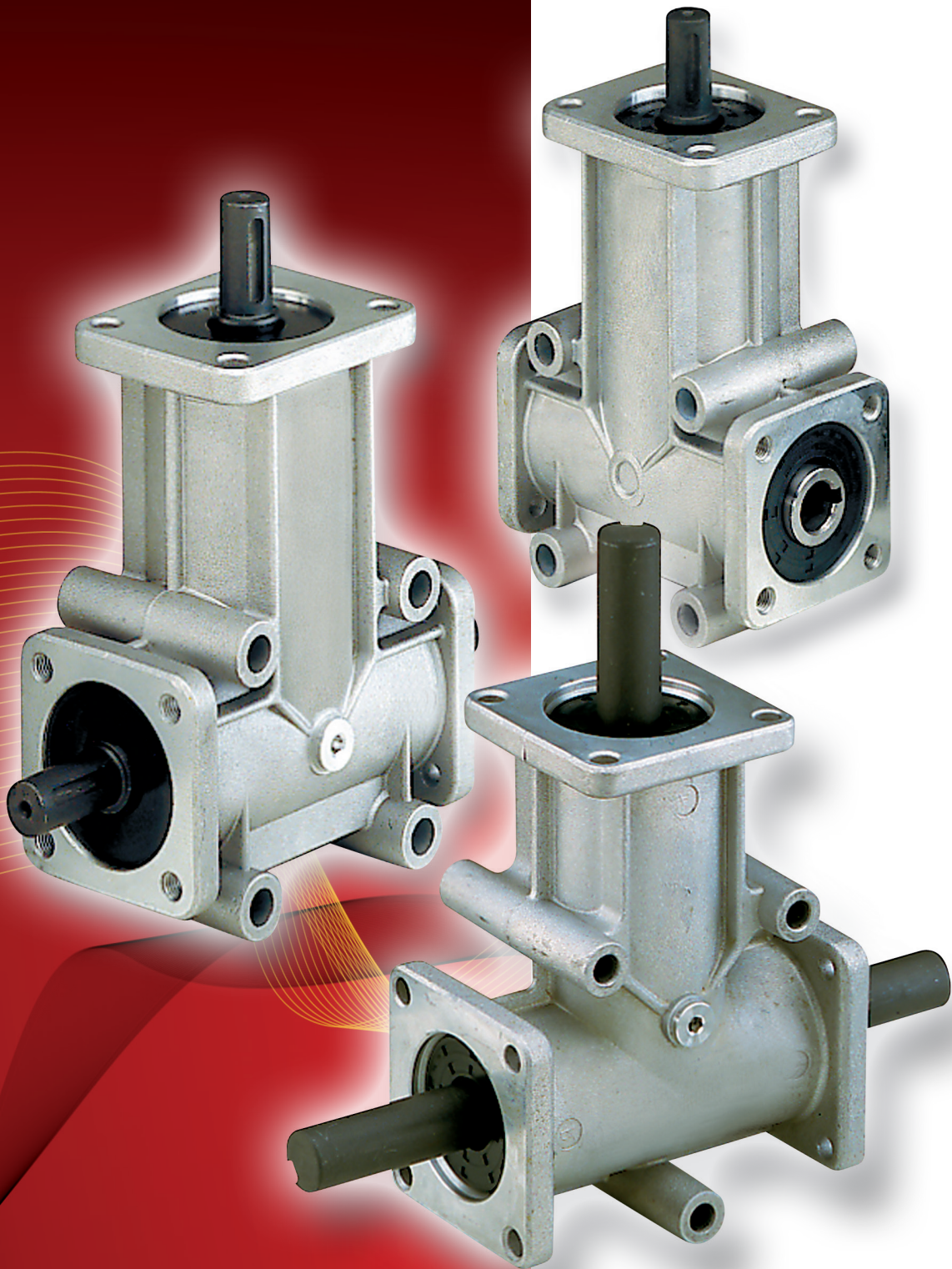
- The screws under the handwheel are well adjusted, don't touch them.
- Don't adjust the handwheel when the motor is off, this can cause internal breaking.
- Speed variators are filled with oil, check the level before running.
- After the running-in the oil must be changed, check the level periodically.
- The temperature after the running-in can reach 50/55°C over room temperature.
- When the variator is supplied without motor make sure that the assembled one is at least "normal" class quality and the connection is not forced.
- Speed variators are supplied with closed oil plugs. When the variator is used for continuous work replace the closed plug with the supplied breather plug.



SPARE PART LIST

- | | |
|----|---------------------------------|
| 1 | OUTPUT SHAFT |
| 2 | PLANET SUPPORT |
| 3 | SLIDE BLOCK |
| 4 | REGULATING ORBIT |
| 5 | BALL RING |
| 6 | MOVING OUTER PLANETARY ORBIT |
| 7 | PLANET WHEEL |
| 8 | OPERATING BOX |
| 9 | FIXED OUTER PLANETARY ORBIT |
| 10 | FIXED INFERIOR PLANETARY ORBIT |
| 11 | MOVING INFERIOR PLANETARY ORBIT |
| 12 | BUTTERFLY SPRING |
| 13 | MOTOR SHAFT |





**RIGHT-ANGLE PRECISION
BEVEL GEAR DRIVES**



RIGHT-ANGLE PRECISION BEVEL GEAR DRIVES

CHT-RB and CHT-RP right-angle drives are designed for industrial applications where rotary power must be transferred between two shafts at right-angles to each other. CHT-RB and CHT-RP are available in many different sizes with 2 or 3 outputs and 1/1 - 1/2 - 1/3 transmission ratios.

Right-angle identification:

The following tables show: the shaft diameter, the transmission ratio, the input shaft, the output shafts B-C or D and the direction of rotation (looking at the shaft from the front).

SIZE	MOD. RB	CHT						
		SHAFT	RATIO	INPUT	OUTPUT	TYPE	CODE	WEIGHT Kg
1		Ø 8	1/1	A	B	1	R1081101	0.3
		Ø 8	1/1	A	C	2	R1081102	
		Ø 8	1/2	A	B	3	R1081203	
		Ø 8	1/2	A	C	4	R1081204	
		Ø 8	1/1	A	B-C	5	R1081105	
		Ø 8	1/2	A	B-C	6	R1081206	
2		Ø 15	1/1	A	B	1	R1151101	1.1
		Ø 15	1/1	A	C	2	R1151102	
		Ø 15	1/2	A	B	3	R1151203	
		Ø 15	1/2	A	C	4	R1151204	
		Ø 15	1/1	A	B-C	5	R1151105	1.2
		Ø 15	1/2	A	B-C	6	R1151206	
3		Ø 20	1/1	A	B	1	R1201101	3.4
		Ø 20	1/1	A	C	2	R1201102	
		Ø 20	1/2	A	B	3	R1201203	
		Ø 20	1/2	A	C	4	R1201204	
		Ø 20	1/1	A	B-C	5	R1201105	3.5
		Ø 20	1/2	A	B-C	6	R1201206	
4		Ø 25	1/1	A	B	1	R1251101	5.5
		Ø 25	1/1	A	C	2	R1251102	
		Ø 25	1/2	A	B	3	R1251203	
		Ø 25	1/2	A	C	4	R1251204	
		Ø 25	1/1	A	B-C	5	R1251105	5.8
		Ø 25	1/2	A	B-C	6	R1251206	



RIGHT-ANGLE PRECISION BEVEL GEAR DRIVES

SIZE	MOD. RP	CHT						WEIGHT Kg
		SHAFT	RATIO	INPUT	OUTPUT	TYPE	CODE	
1		Ø 8	1/1	A	B	1	R3081101	0.6
		Ø 8	1/1	A	C	2	R3081102	
		Ø 8	1/2	A	B	3	R3081203	
		Ø 8	1/2	A	C	4	R3081204	
		Ø 8	1/1	A	B-C	5	R3081105	
		Ø 8	1/2	A	B-C	6	R3081206	
2		Ø 14	1/1	A	B	1	R3141101	2
		Ø 14	1/1	A	C	2	R3141102	
		Ø 14	1/2	A	B	3	R3141203	
		Ø 14	1/2	A	C	4	R3141204	
		Ø 14	1/3	A	B	5	R3141305	
		Ø 14	1/3	A	C	6	R3141306	
		Ø 14	1/1	A	B-C	7	R3141107	
		Ø 14	1/2	A	B-C	8	R3141208	
		Ø 14	1/3	A	B-C	9	R3141309	
3		Ø 14	1/1	A	B-C	10	R3141110	1.9
		Ø 14	1/2	A	B-C	11	R3141211	
		Ø 14	1/3	A	B-C	12	R3141312	
4		Ø 14	1/1	A	B-C	13	R3141113	3.2
		Ø 14	1/1	A	C-D	14	R3141114	
		Ø 14	1/2	A	B-C	15	R3141215	
		Ø 14	1/2	A	C-D	16	R3141216	
		Ø 14	1/3	A	B-C	17	R3141317	
		Ø 14	1/3	A	C-D	18	R3141318	
		Ø 14	1/1	A	B-C-D	19	R3141119	
		Ø 14	1/2	A	B-C-D	20	R3141220	
		Ø 14	1/3	A	B-C-D	21	R3141321	
5		Ø 19	1/1	A	B	1	R3191101	4.5
		Ø 19	1/1	A	C	2	R3191102	
		Ø 19	1/2	A	B	3	R3191203	
		Ø 19	1/2	A	C	4	R3191204	
		Ø 19	1/3	A	B	5	R3191305	
		Ø 19	1/3	A	C	6	R3191306	
		Ø 19	1/1	A	B-C	7	R3191107	
		Ø 19	1/2	A	B-C	8	R3191208	
		Ø 19	1/3	A	B-C	9	R3191309	
6		Ø 19	1/1	A	B-C	10	R3191110	4.4
		Ø 19	1/2	A	B-C	11	R3191211	
		Ø 19	1/3	A	B-C	12	R3191312	
7		Ø 24	1/1	A	B	1	R3241101	4.6
		Ø 24	1/1	A	C	2	R3241102	
		Ø 24	1/2	A	B	3	R3241203	
		Ø 24	1/2	A	C	4	R3241204	
		Ø 24	1/3	A	B	5	R3241305	
		Ø 24	1/3	A	C	6	R3241306	
		Ø 24	1/1	A	B-C	7	R3241107	
		Ø 24	1/2	A	B-C	8	R3241208	
		Ø 24	1/3	A	B-C	9	R3241309	



TECHNICAL NOTES

Selecting the correct type of angle bevel gear is not simply a question of defining the power required in relation to R.P.M. and the torque to be transmitted. It also involves defining the conditions under which the angle bevel gear will be used. Defining operating conditions involves taking into consideration a number of factors such as the type of operating cycle (intermittent, continuous), radial and axial loads on the shaft ends, maximum and minimum temperatures, ambient conditions (e.g. dust and dirt levels) and the type of lubricant used. To decide the type and size of angle bevel gear required, proceed as follows.

- 1) Use table 1 to define the Service Factor for your application.
- 2) Calculate the Rated Power (P_n); $P_n = P_e$ (Horsepower) \times FS.
- 3) Use the output speed and the rated power (P_n) to select the angle gear size and transmission ratio required for your application.
- 4) Check that the radial and axial load at the midpoint of the exposed shaft end does not exceed the values shown in table external loads.
- 5) Check that the operating temperature does not exceed $-20^{\circ}\text{C} \div 80^{\circ}\text{C}$
- 6) If you require a 1/2 or 1/3 ratio, do not use a speed multiplier with an input more than 750 R.P.M. and 500 R.P.M. in ratio 1/2 and 1/3, respectively.
- 7) If the unit is to be used in very dusty conditions, protect the oil seal against direct exposure to dust to prevent abrasive damage which might shorten the working life of the unit.

TABLE 1

SERVICE FACTOR F_s

	hours of operation for day			
	3	8	12	24
uniform load	0.7	0.9	1	1.3
load with moderate shocks	0.9	1	1.3	1.8
load with shocks	1.3	1.6	1.8	2.3



INPUT POWER (P_n) Output torque T

Output speed		50 rpm	100 rpm	200 rpm	400 rpm	800 rpm	1400 rpm	2000 rpm	3000 rpm								
Output torque		T power		T power		T power		T power		T power							
Type	Ratio	Nm	Kw	Nm	Kw	Nm	Kw	Nm	Kw	Nm	Kw						
RB 1-1/2- RB 1-5	R 1:1	4,7	0,02	3,9	0,04	3,3	0,07	2,8	0,12	2,3	0,19	2,0	0,30	1,8	0,39	1,7	0,53
RP 1-1/2- RP 1-5		9,1	0,05	7,6	0,08	6,4	0,13	5,4	0,23	4,5	0,38	4,0	0,58	3,6	0,76	3,3	1,03
RB 2-1/2- RB 2-5		16,5	0,09	13,9	0,15	11,7	0,24	9,8	0,41	8,2	0,69	7,2	1,05	6,6	1,37	5,9	1,86
RP 3-10		28,8	0,15	24,2	0,25	20,3	0,43	17,1	0,72	14,4	1,20	12,5	1,83	11,4	2,39	10,3	3,25
RP 2-1/2		34,5	0,18	29,0	0,30	24,4	0,51	20,5	0,86	17,2	1,44	15,0	2,20	13,7	2,87	12,4	3,89
RP 4-13/14																	
RP 2-7																	
RP 4-19		53,1	0,28	44,6	0,47	37,5	0,79	31,6	1,32	26,5	2,22	23,1	3,38	21,1	4,42	19,1	5,99
RB 3-1/2																	
RB 3-5		75,7	0,40	63,7	0,67	53,5	1,12	45,0	1,89	37,9	3,17	32,9	4,82	30,1	6,30	27,2	8,54
RP 6-10																	
RB 4-1/2- RP 5-1/2	87,3	0,46	73,4	0,77	61,8	1,29	51,9	2,17	43,7	3,66	38,0	5,56	34,7	7,27	31,4	9,86	
RP 7-1/2- RB 4-5																	
RP 5-7- RP 7-7																	
RB 1-3/4- RB 1-6	R 1:2	4,0	0,02	3,4	0,04	2,8	0,06	2,4	0,10	2,0	0,17	1,7	0,26	1,6	0,33	1,4	0,45
RP 1-3/4- RP 1-6		8,9	0,05	7,5	0,08	6,3	0,13	5,3	0,22	4,4	0,37	3,9	0,57	3,5	0,74	3,2	1,00
RB 2-3/4- RB 2-6		14,6	0,08	12,3	0,13	10,3	0,22	8,7	0,36	7,3	0,61	6,3	0,93	5,8	1,21	5,2	1,65
RP 3-11		28,1	0,15	23,7	0,25	19,9	0,42	16,7	0,70	14,1	1,18	12,2	1,79	11,2	2,34	10,1	3,17
RP 2-3/4		33,8	0,18	28,5	0,30	23,9	0,50	20,1	0,84	16,9	1,42	14,7	2,16	13,5	2,82	12,2	3,82
RP 4-15/16																	
RP 2-8																	
RP 4-20		42,5	0,22	35,7	0,37	30,1	0,63	25,3	1,06	21,3	1,78	18,5	2,71	16,9	3,54	15,3	4,80
RB 3-3/4- RB 3-6																	
RP 6-11		71,3	0,37	59,9	0,63	50,4	1,06	42,4	1,77	35,6	2,98	31,0	4,54	28,3	5,93	25,6	8,04
RB 4-3/4- RP 4-6	82,3	0,43	69,2	0,72	58,2	1,22	48,9	2,05	41,1	3,44	35,8	5,24	32,7	6,85	29,6	9,28	
RP 7-3/4- RB 4-6																	
RP 5-8- RP 7-8																	
RP 2-5/6	R 1:3	27,5	0,14	23,1	0,24	19,4	0,41	16,3	0,68	13,7	1,15	12,0	1,75	10,9	2,29	9,9	3,10
RP 2-9																	
RP 3-12																	
RP 4-17/18																	
RP 4-21																	
RP 5-5/6	63,4	0,33	53,3	0,56	44,9	0,94	37,7	1,58	31,7	2,66	27,6	4,04	25,2	5,28	22,8	7,16	
RP 5-9																	
RP 6-12																	
RP 7-5/6																	
RP 7-9																	



RIGHT-ANGLE PRECISION BEVEL GEAR DRIVES

EXTERNAL LOADS IN CONNECTION WITH SPEED F_r = radial load F_a = axial load

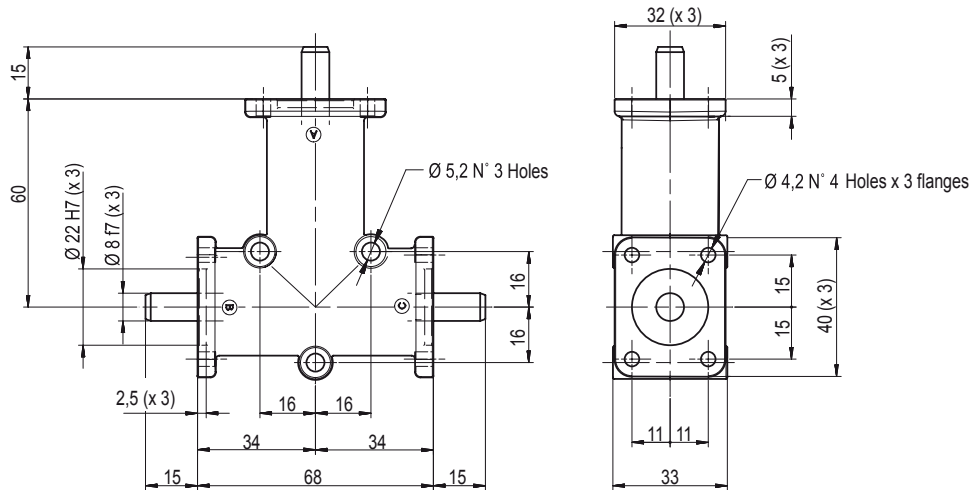
Output speed		50 rpm		100 rpm		200 rpm		400 rpm		800 rpm		1400 rpm		2000 rpm		3000 rpm	
Radial - axial load		Fr	Fa	Fr	Fa	Fr	Fa	Fr	Fa	Fr	Fa	Fr	Fa	Fr	Fa	Fr	Fa
Type	Ratio	N	N	N	N	N	N	N	N	N	N	N	N	N	N	N	N
RB 1-1/2- RB 1-5	R 1:1	139	94	117	79	98	66	83	56	70	47	60	41	55	37	50	34
RP 1-1/2- RP 1-5		195	158	164	133	138	112	116	94	98	79	85	69	78	63	70	57
RB 2-1/2- RB 2-5		328	220	276	185	232	156	195	131	164	110	142	96	130	87	118	79
RP 3-10		430	348	361	293	304	246	256	207	215	174	187	151	171	139	154	125
RP 2-1/2		516	418	434	351	365	295	307	248	258	209	224	182	205	166	185	150
RP 4-13/14																	
RP 2-7		684	458	575	385	484	324	407	273	342	229	297	199	272	182	246	165
RP 4-19																	
RB 3-1/2		826	554	695	465	584	391	491	329	413	277	359	241	329	220	297	199
RP 6-10																	
RB 4-1/2 - RP 5-1/2	953	639	802	537	674	452	567	380	477	319	414	278	379	254	342	229	
RP 7-1/2- RB 4-5																	
RP 5-7- RP 7-7																	
RB 1-3/4- RB 1-6	R 1:2	107	76	90	64	76	54	64	45	54	38	47	33	43	30	39	27
RP 1-3/4- RP 1-6		182	110	153	93	129	78	108	66	91	55	79	48	73	44	66	40
RB 2-3/4- RB 2-6		276	168	232	141	195	119	164	100	138	84	120	73	110	67	99	60
RP 3-11		370	263	311	221	262	186	220	157	185	132	161	114	147	105	133	95
RP 2-3/4		445	316	374	266	315	224	265	188	223	158	194	137	177	126	160	114
RP 4-15/16																	
RP 2-8		548	361	461	303	387	255	326	214	274	180	238	157	218	143	197	130
RP 4-20																	
RB 3-3/4- RB 3-6		696	422	585	355	492	299	414	251	348	211	303	184	277	168	250	152
RP 6-11																	
RB 4-3/4 - RP 4-6	803	483	675	406	568	341	478	287	402	241	349	210	319	192	289	173	
RP 7-3/4- RB 4-6																	
RP 5-8- RP 7-8																	
RP 2-5/6	R 1:3	357	199	301	167	253	141	213	118	179	99	155	86	142	79	128	71
RP 2-9																	
RP 3-12																	
RP 4-17/18																	
RP 4-21																	
RP 5-5/6		619	346	521	291	438	245	368	206	310	173	269	151	246	138	222	124
RP 5-9																	
RP 6-12																	
RP 7-5/6																	
RP 7-9																	



RIGHT-ANGLE PRECISION BEVEL GEAR DRIVES

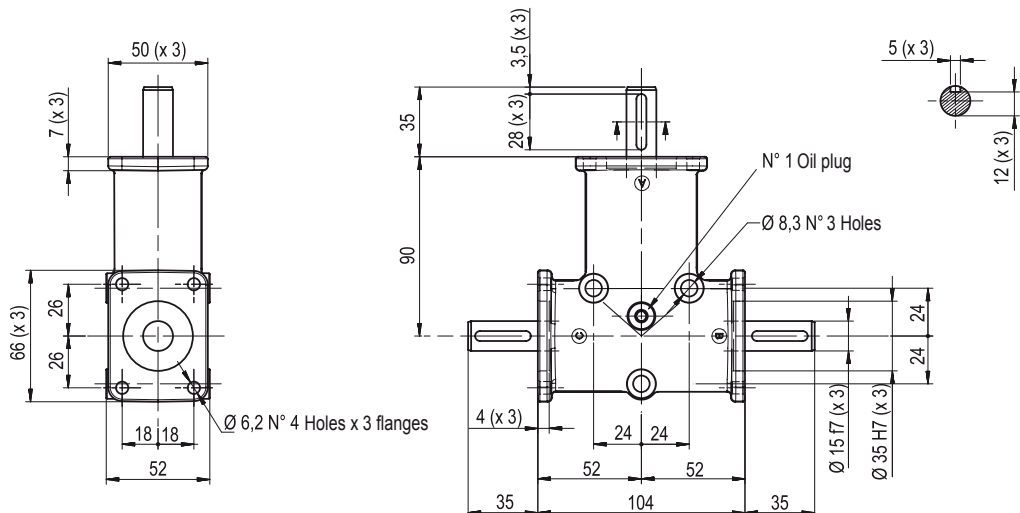
SIZE 1 MOD. RB CHT

	RATIO	INPUT	OUTPUT	CODE	WEIGHT Kg
	1/1	A	B	R1081101	0.3
	1/1	A	C	R1081102	
	1/2	A	B	R1081203	
	1/2	A	C	R1081204	
	1/1	A	B-C	R1081105	
	1/2	A	B-C	R1081206	



SIZE 2 MOD. RB CHT

	RATIO	INPUT	OUTPUT	CODE	WEIGHT Kg
	1/1	A	B	R1151101	1.1
	1/1	A	C	R1151102	
	1/2	A	B	R1151203	
	1/2	A	C	R1151204	
	1/1	A	B-C	R1151105	1.2
	1/2	A	B-C	R1151206	





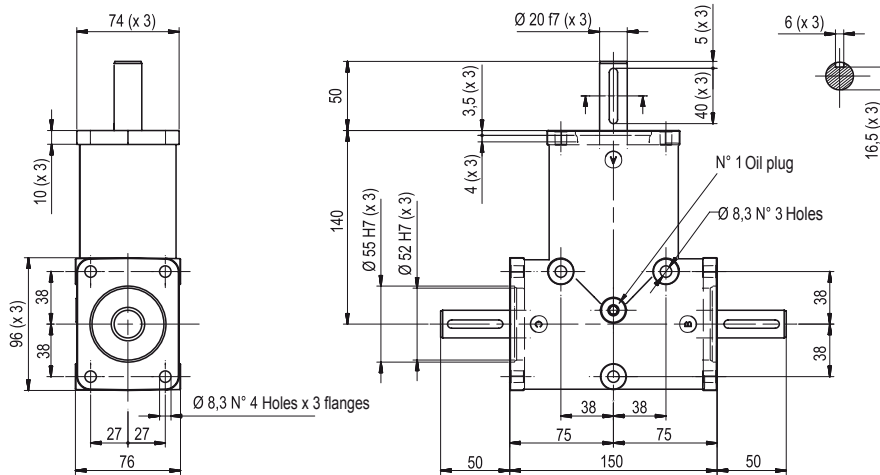
RIGHT-ANGLE PRECISION BEVEL GEAR DRIVES

SIZE 3

MOD. RB

CHT

	RATIO	INPUT	OUTPUT	CODE	WEIGHT Kg
	1/1	A	B	R1201101	3.4
	1/1	A	C	R1201102	
	1/2	A	B	R1201203	
	1/2	A	C	R1201204	
	1/1	A	B-C	R1201105	3.5
	1/2	A	B-C	R1201206	



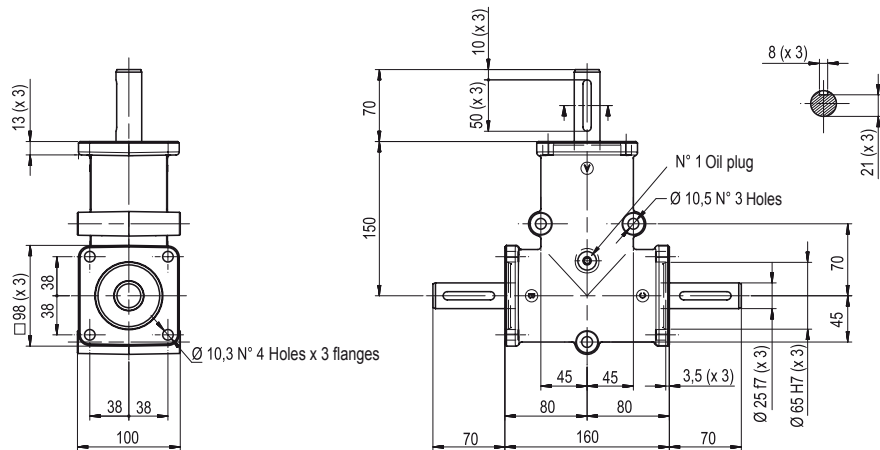
148

SIZE 4

MOD. RB

CHT

	RATIO	INPUT	OUTPUT	CODE	WEIGHT Kg
	1/1	A	B	R1251101	5.5
	1/1	A	C	R1251102	
	1/2	A	B	R1251203	
	1/2	A	C	R1251204	
	1/1	A	B-C	R1251105	5.8
	1/2	A	B-C	R1251206	





RIGHT-ANGLE PRECISION BEVEL GEAR DRIVES

SIZE 1

MOD. RP

CHT

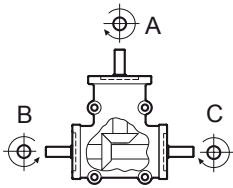
RATIO

INPUT

OUTPUT

CODE

WEIGHT Kg



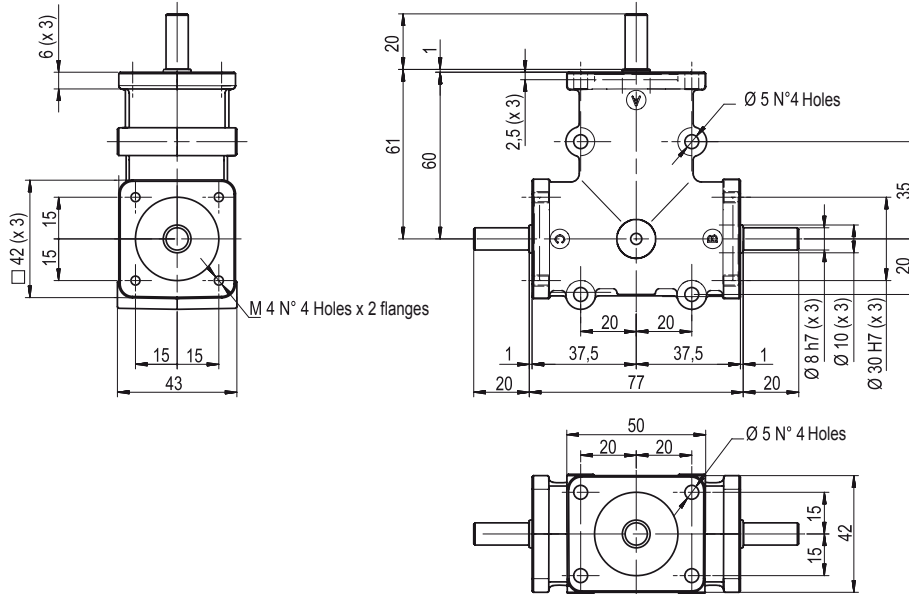
1/1
1/1
1/2
1/2
1/1
1/2

A
A
A
A
A
A

B
C
B
C
B-C
B-C

R3081101
R3081102
R3081203
R3081204
R3081105
R3081206

0.6



SIZE 2

MOD. RP

CHT

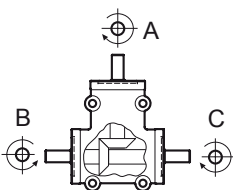
RATIO

INPUT

OUTPUT

CODE

WEIGHT Kg



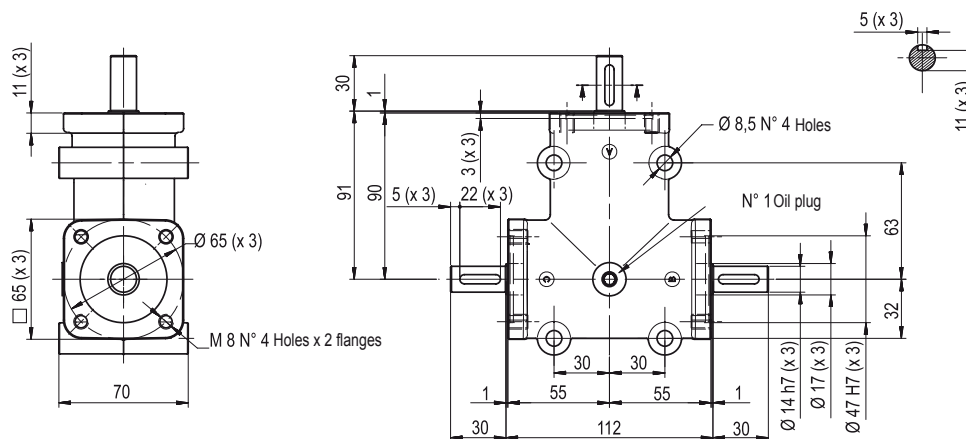
1/1
1/1
1/2
1/2
1/3
1/3
1/1
1/2
1/3

A
A
A
A
A
A
A
A
A

B
C
B
C
B
C
B-C
B-C
B-C

R3141101
R3141102
R3141203
R3141204
R3141305
R3141306
R3141107
R3141208
R3141309

2





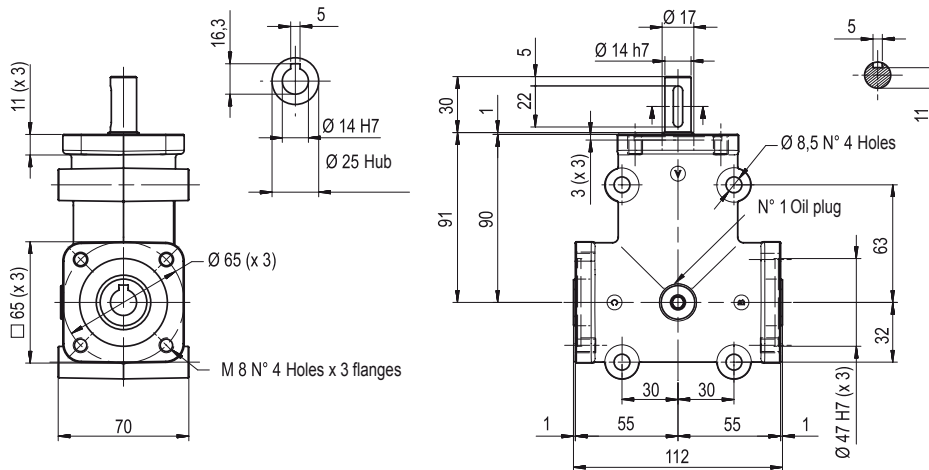
RIGHT-ANGLE PRECISION BEVEL GEAR DRIVES

SIZE 3

MOD. RP

CHT

	RATIO	INPUT	OUTPUT	CODE	WEIGHT Kg
	1/1	A	B-C	R3141110	2
	1/2	A	B-C	R3141211	
	1/3	A	B-C	R3141312	



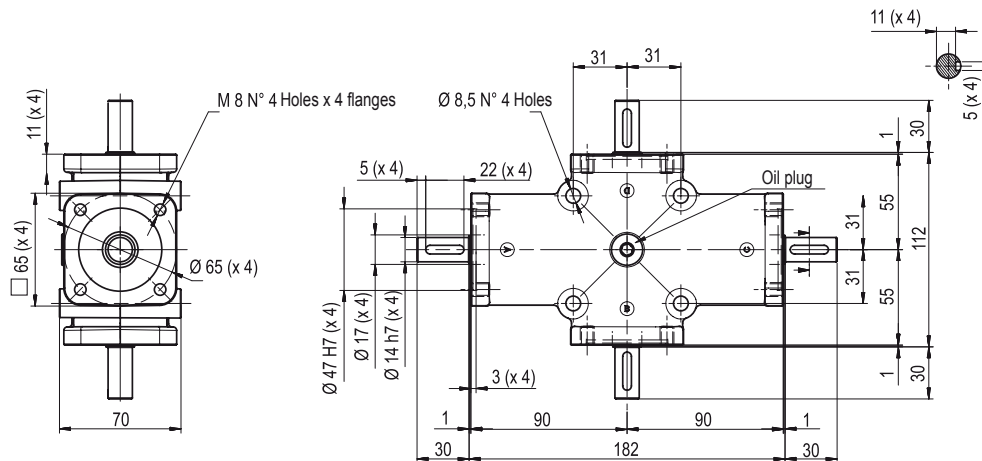
150

SIZE 4

MOD. RP

CHT

	RATIO	INPUT	OUTPUT	CODE	WEIGHT Kg
	1/1	A	B-C	R3141113	3.2
	1/1	A	C-D	R3141114	
	1/2	A	B-C	R3141215	
	1/2	A	C-D	R3141216	
	1/3	A	B-C	R3141317	
	1/3	A	C-D	R3141318	
	1/1	A	B-C-D	R3141119	
	1/2	A	B-C-D	R3141220	
	1/3	A	B-C-D	R3141321	





RIGHT-ANGLE PRECISION BEVEL GEAR DRIVES

SIZE 5

MOD. RP

CHT

RATIO

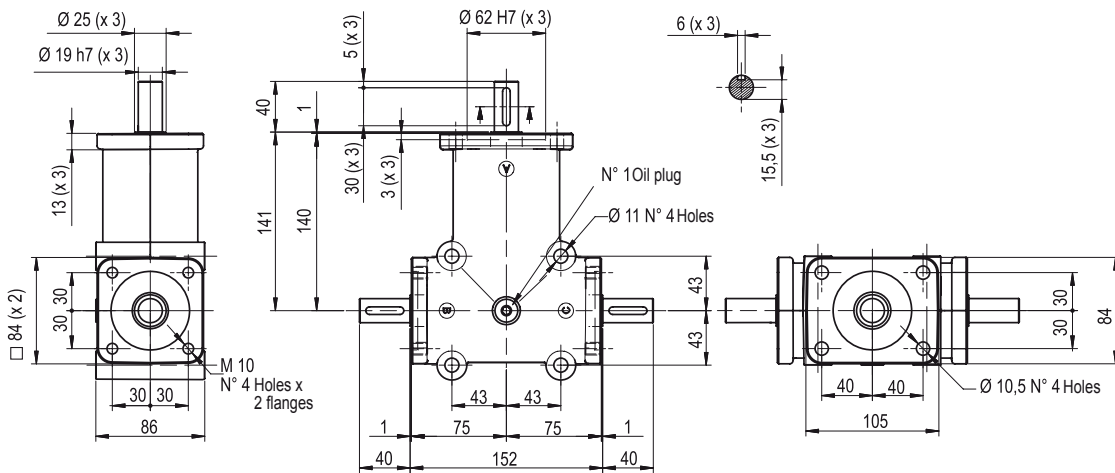
INPUT

OUTPUT

CODE

WEIGHT Kg

	RATIO	INPUT	OUTPUT	CODE	WEIGHT Kg
	1/1	A	B	R3191101	4.5
	1/1	A	C	R3191102	
	1/2	A	B	R3191203	
	1/2	A	C	R3191204	
	1/3	A	B	R3191305	
	1/3	A	C	R3191306	
	1/1	A	B-C	R3191107	
	1/2	A	B-C	R3191208	
	1/3	A	B-C	R3191309	



SIZE 6

MOD. RP

CHT

RATIO

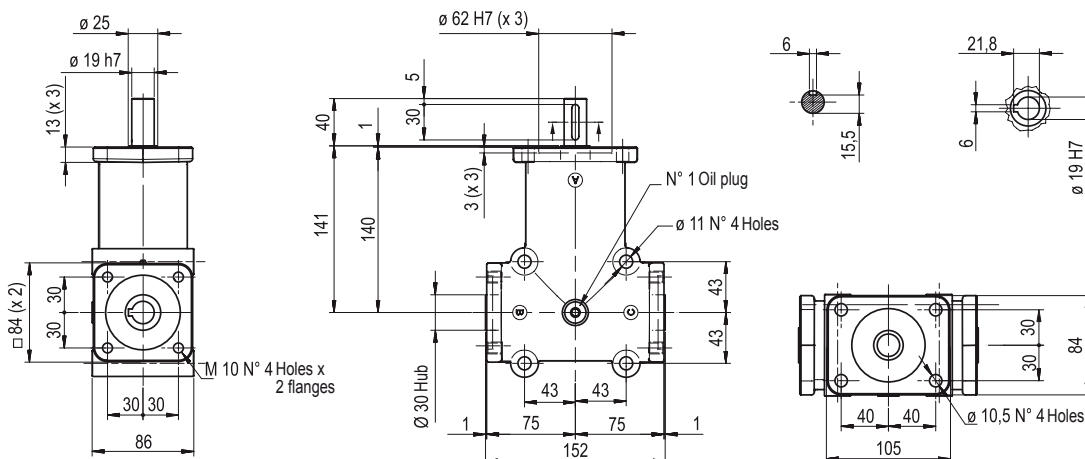
INPUT

OUTPUT

CODE

WEIGHT Kg

	RATIO	INPUT	OUTPUT	CODE	WEIGHT Kg
	1/1	A	B-C	R3191110	4.5
	1/2	A	B-C	R3191211	
	1/3	A	B-C	R3191312	





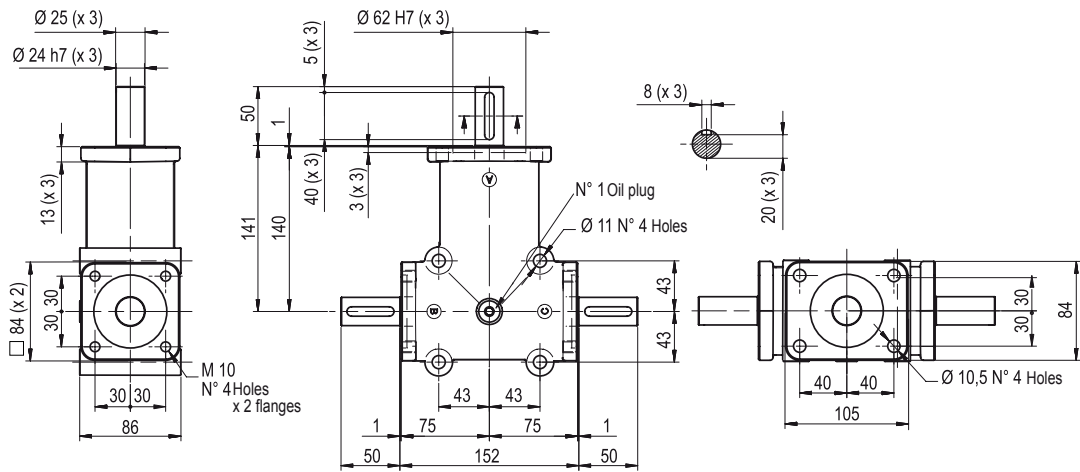
RIGHT-ANGLE PRECISION BEVEL GEAR DRIVES

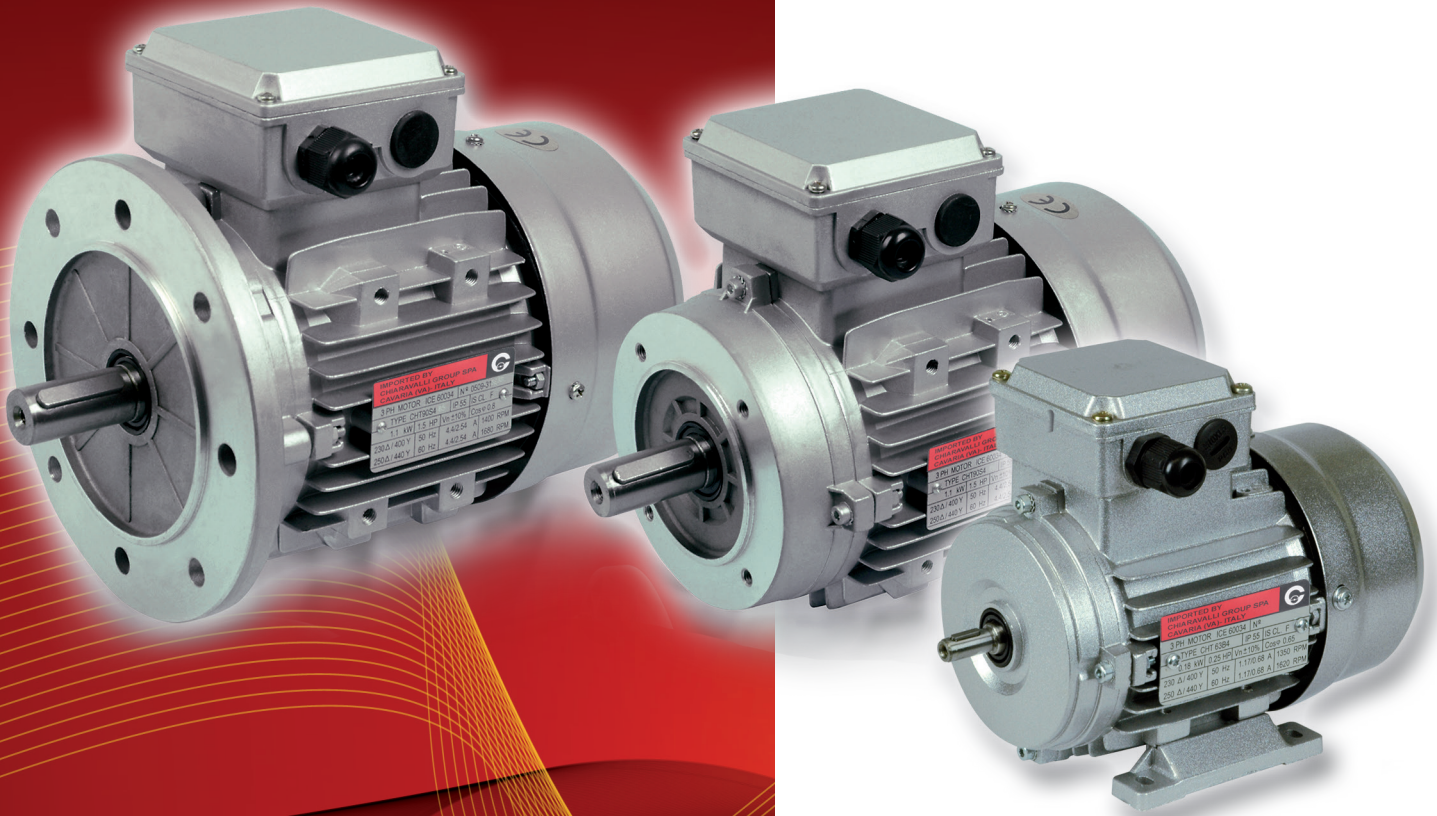
SIZE 7

MOD. RP

CHT

	RATIO	INPUT	OUTPUT	CODE	WEIGHT Kg
	1/1	A	B	R3241101	4.5
	1/1	A	C	R3241102	
	1/2	A	B	R3241203	
	1/2	A	C	R3241204	
	1/3	A	B	R3241305	
	1/3	A	C	R3241306	
	1/1	A	B-C	R3241107	
	1/2	A	B-C	R3241208	
	1/3	A	B-C	R3241309	





ELECTRIC MOTORS



INTRODUCTION

CHT series motors have been produced to be mounted on gearboxes and therefore they have mechanical and electrical characteristics particularly right for this use.

All our motors are IP55, insulation class F with phase separator to be used with frequency variators, in this condition they can be provided complete with forced ventilation.

The motors like the gearboxes are painted with RAL 9022 grey colour epoxy powder.



TECHNICAL CHARACTERISTICS

- **Cage rotor motors, locked with outside surface ventilation.**
- **Project, construction and test in compliance with CEI2-3, international norms IEC34-1 and principal foreign/international standard.**
- **Power-sizes in specification with IEC 72, national norms UNEL-MEC.**
- **Insulation: class F**
- **Protection: class IP55**
- **Rated power delivered on continuous: S1**
- **European directive ROHS 2002/95/CE**
- **Phase separator**
- **Volt 400/690 standard from 160 up to 355 on request for other sizes**



FUNCTION WITH A FREQUENCY OF 60

The CHT line motors can function with a frequency of 60 Hz. with differences in performances and electrical sizes as described on the table.

PLATE VOLTAGE 50 Hz	PLATE VOLTAGE 60 Hz	NOMINAL POWER	NOMINAL CURRENT	NOMINAL TORQUE	R.P.M.	STARTING CURRENT	STARTING TORQUE	MAX TORQUE
230 +/- 10%	220 +/- 5%	1	1	0.83	1.2	0.83	0.83	0.83
230 +/- 10%	230 +/- 10%	1	0.95	0.83	1.2	0.83	0.83	0.83
230 +/- 10%	254 +/- 5%	1.15	1.02	0.96	1.2	0.93	0.93	0.93
230 +/- 10%	277 +/- 5%	1.2	1	1	1.2	1	1	1
400 +/- 10%	380 +/- 5%	1	1	0.83	1.2	0.83	0.83	0.83
400 +/- 10%	400 +/- 10%	1	0.95	0.83	1.2	0.83	0.83	0.83
400 +/- 10%	440 +/- 5%	1.16	1.02	0.96	1.2	0.93	0.93	0.93
400 +/- 10%	460 +/- 10%	1.15	1	0.96	1.2	0.96	0.96	0.96
400 +/- 10%	480 +/- 5%	1.2	1	1	1.2	1	1	1



FEEDING VOLTAGE

The CHT line motors are made to be used on the European net system Volt 230/400 +/- 10% - Hz 50 and Volt 400/690 +/- 10% - Hz 50

This means that the same motor can function on the following stili existing nets:

- 220/380 Volt +/- 5%
- 230/400 Volt +/- 10%
- 240/415 Volt +/- 5%
- 380/660 Volt +/- 5%
- 400/690 Volt +/- 10%
- 415/720 Volt +/- 5%

corresponding to the requirements requested by the rules of numerous countries.



ELECTRIC MOTORS 2/4/6 POLES

IE 1

TYPE		POLES	POWER Kw	VOLTAGE V	CURRENT 400 V	TORQUE N/m	EFFICIENCY %	FACTOR COS.φ	WEIGHT Kg.
CHT 56	B2	2	0.13	230/400	0.40	0.42	62.00	0.69	3.20
CHT 56	B4	4	0.09	230/400	0.43	0.64	50.00	0.61	3.20
CHT 63	A2	2	0.18	230/400	0.55	0.63	63.00	0.75	4.00
CHT 63	B2	2	0.25	230/400	0.71	0.88	65.00	0.78	4.40
CHT 63	C2	2	0.37	230/400	1.05	1.30	65.00	0.78	4.90
CHT 63	A4	4	0.12	230/400	0.47	0.85	57.00	0.64	3.90
CHT 63	B4	4	0.18	230/400	0.70	1.27	57.00	0.65	4.50
CHT 63	C4	4	0.22	230/400	0.92	1.77	59.00	0.67	4.80
CHT 63	B6	6	0.12	230/400	0.62	1.27	45.00	0.62	4.80
CHT 71	A2	2	0.37	230/400	0.97	1.29	70.00	0.79	5.60
CHT 71	B2	2	0.55	230/400	1.42	1.90	71.00	0.79	6.10
CHT 71	A4	4	0.25	230/400	0.84	1.77	60.00	0.62	5.60
CHT 71	B4	4	0.37	230/400	1.12	2.58	65.00	0.74	6.20
CHT 71	C4	4	0.55	230/400	1.61	3.81	66.00	0.75	7.00
CHT 71	A6	6	0.18	230/400	0.70	1.95	56.00	0.66	6.00
CHT 71	B6	6	0.25	230/400	0.87	2.65	59.00	0.70	6.50
CHT 71	C6	6	0.37	230/400	1.27	3.97	61.00	0.69	7.20
CHT 80	A4	4	0.55	230/400	1.59	3.81	67.00	0.75	8.90
CHT 80	A6	6	0.37	230/400	1.23	3.93	62.00	0.70	8.20
CHT 80	B6	6	0.55	230/400	1.65	5.80	67.00	0.72	9.90

IE 2

CHT 80	A2	2	0.75	230/400	1.75	2.51	77.40	0.80	9.10
CHT 80	B2	2	1.10	230/400	2.45	3.69	80.00	0.82	10.70
CHT 80	C2	2	1.50	230/400	3.12	4.97	82.70	0.83	13.00
CHT 80	B4	4	0.75	230/400	1.79	5.04	79.60	0.76	11.20
CHT 80	C4	4	1.10	230/400	2.72	7.39	81.40	0.71	13.50
CHT 90	S2	2	1.50	230/400	3.20	4.95	81.40	0.83	13.30
CHT 90	L2	2	2.20	230/400	4.54	7.38	83.20	0.84	16.00
CHT 90	S4	4	1.10	230/400	2.50	7.37	81.40	0.78	13.90
CHT 90	L4	4	1.50	230/400	3.31	10.09	82.80	0.79	16.20
CHT 90	M4	4	2.20	230/400	5.09	14.71	84.30	0.74	20.50
CHT 90	S6	6	0.75	230/400	2.01	7.66	76.00	0.71	13.00
CHT 90	L6	6	1.10	230/400	2.82	11.23	78.10	0.72	16.30
CHT 100	LA2	2	3.00	230/400	5.88	10.05	84.60	0.87	23.00
CHT 100	LA4	4	2.20	230/400	4.83	14.70	84.30	0.78	22.70
CHT 100	LB4	4	3.00	230/400	6.33	20.00	85.50	0.80	26.50
CHT 100	LA6	6	1.50	230/400	3.71	15.20	80.00	0.73	22.00
CHT 112	M2	2	4.00	230/400	7.56	13.13	86.00	0.89	27.00
CHT 112	M4	4	4.00	230/400	8.23	26.60	86.60	0.81	32.50
CHT 112	L4	4	5.50	230/400	11.25	36.57	87.90	0.80	39.00
CHT 112	M6	6	2.20	230/400	5.17	22.30	81.80	0.75	29.50
CHT 132	SA2	2	5.50	230/400	10.25	18.00	87.20	0.89	40.20
CHT 132	SB2	2	7.50	230/400	13.80	24.47	88.10	0.89	45.00
CHT 132	S4	4	5.50	230/400	11.00	36.22	87.90	0.83	44.00
CHT 132	M4	4	7.50	230/400	14.50	50.00	88.70	0.84	53.50
CHT 132	M6	6	4.00	230/400	8.86	40.42	84.60	0.77	45.00
CHT 132	S6	6	3.00	230/400	6.84	30.48	83.30	0.76	36.10



IE 3

IE 3 EFFICIENCY MOTORS

From January 2017, the third phase of the regulation (CE) n° 640/2009 came into force, therefore, starting from this date, the electric motors sold in the European Economic Market at 2, 4 and 6 poles with power included between KW 0,75 and KW 375 Kw must have minimum efficiency IE3, alternatively IE2, if supplied with inverter or destined for countries not belonging to the aforementioned market.

With the entry into force of the third phase, it will be the responsibility of the purchaser to make sure that the IE2 motors, which are included in the regulations, are used as indicated above.

TYPE	POLES	POWER Kw	VOLTAGE V	CURRENT 400 V	TORQUE N/m	EFFICIENCY %	FACTOR COS.φ	WEIGHT Kg.
CHT 80 A2	2	0.75	230/400	1.66	2.51	80.7	0.81	8.5/8.4
CHT 80 B2	2	1.1	230/400	2.31	3.69	82.7	0.83	10.3/10.2
CHT 90 S2	2	1.5	230/400	3.14	5.02	84.2	0.82	14.4/14.3
CHT 90 L2	2	2.2	230/400	4.51	7.38	85.9	0.82	16.3/16.1
CHT 100 LA2	2	3	230/400	5.59	10.05	87.1	0.89	24.1/24.0
CHT 112 M2	2	4	230/400	7.2	13.13	88.1	0.91	30.2/30.1
CHT 132 SA2	2	5.5	230/400	10	18.08	89.2	0.89	44.2/44.00
CHT 132 SB2	2	7.5	230/400	13.4	24.61	90.1	0.90	52.0/52.8
CHT 80 B4	4	0.75	230/400	1.9	5.04	82.2	0.69	12.1/11.3
CHT 90 S4	4	1.1	230/400	2.59	7.37	84.1	0.73	15.0/15.0
CHT 90 L4	4	1.5	230/400	3.43	10.09	85.3	0.74	18.0/18.0
CHT 100 LA4	4	2.2	230/400	4.58	14.69	86.7	0.80	23.5/23.0
CHT 100 LB4	4	3	230/400	6.33	20.03	87.7	0.78	28.2/28.0
CHT 112 M4	4	4	230/400	7.95	26.62	88.6	0.82	32.3/32.0
CHT 132 S4	4	5.5	230/400	10.5	36.73	89.6	0.84	48.0/47.5
CHT 132 M4	4	7.5	230/400	14.3	50.08	90.4	0.84	58.2/58.0
CHT 90 S6	6	0.75	230/400	2.05	7.66	78.9	0.67	14.1/14.0
CHT 10 L6	6	1.1	230/400	2.93	11.23	81.0	0.67	17.8/16.2
CHT 100 LA6	6	1.5	230/400	3.75	15.24	82.5	0.70	22.2/22.0
CHT 112 M6	6	2.2	230/400	5.54	22.35	84.3	0.68	27.0/26.0
CHT 132 S6	6	3	230/400	6.84	30.48	86.6	0.74	40.0/39.0
CHT 132 MA6	6	4	230/400	8.99	40.42	86.8	0.74	47.5/47.2
CHT 132 MB6	6	5.5	230/400	12.7	55.58	88.0	0.71	55.4/54.0

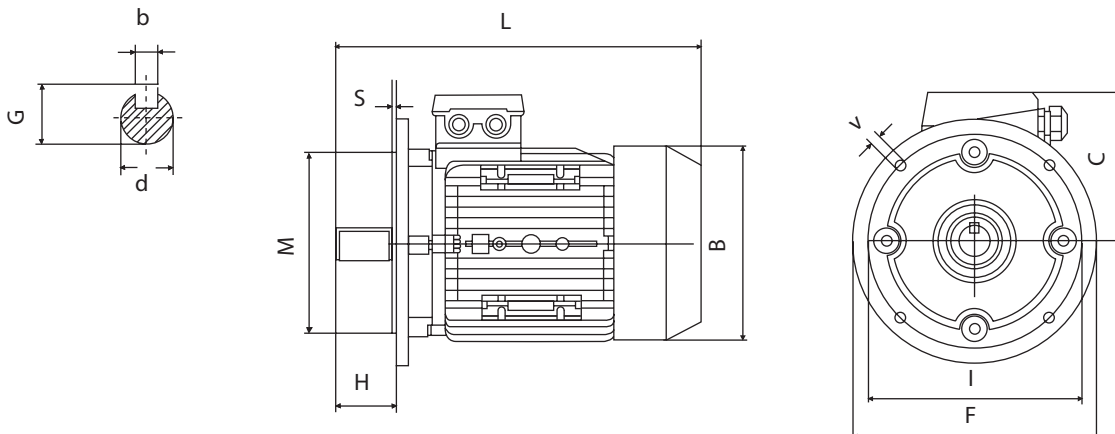
* Volt 400/690 standard from 160 up to 355 on request for other sizes.

* **SIEMENS** motor available on request

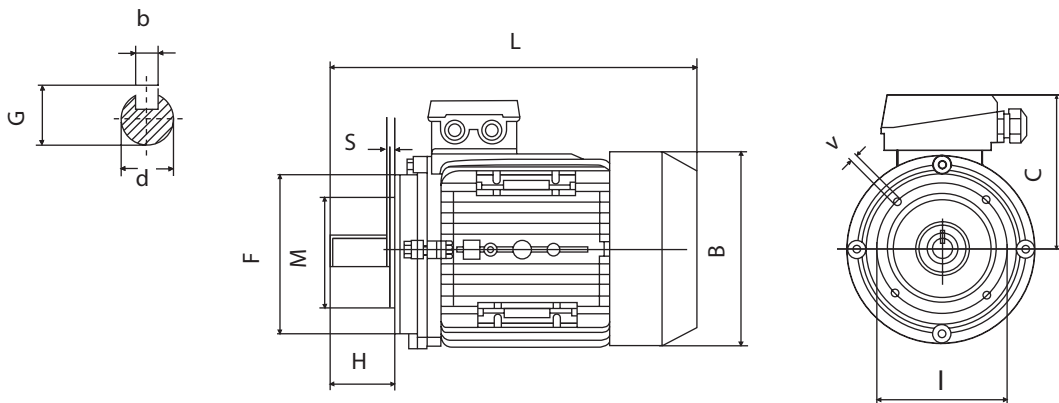
* **MGM** brake motor available on request



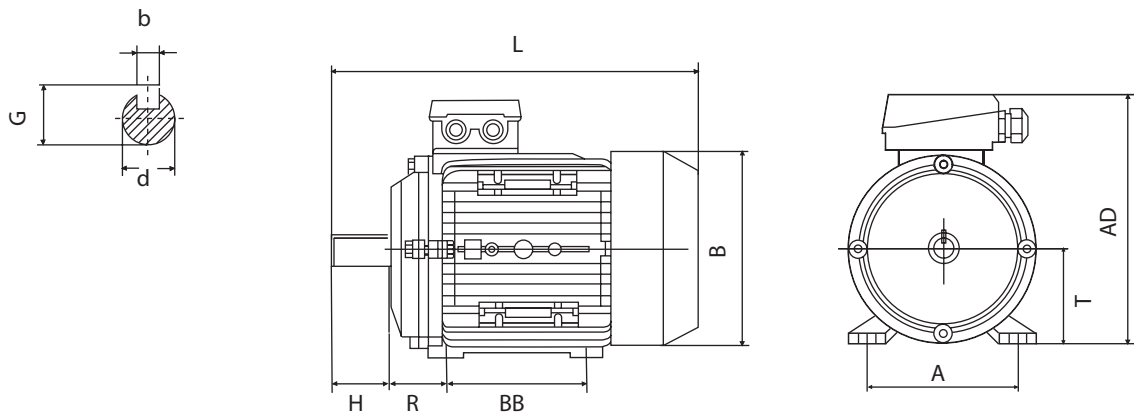
B5



B14



B3





ELECTRIC MOTORS THREE-PHASE - DIMENSIONS

TYPE	MOUNTING DIMENSIONS (mm)														DIMENSIONS							
	d	H	b	G	B5					B14					B3					B	C	L
					I	M	F	V	S	I	M	F	V	S	R	BB	A	T	AD			
56	9	20	3	10.2	100	80	120	7	3.0	65	50	80	M5	2.5	36	71	90	56	156	110	100	195
63	11	23	4	12.5	115	95	140	10	3.0	75	60	90	M5	2.5	40	80	100	63	173	123	110	215
71	14	30	5	16	130	110	160	10	3.5	85	70	105	M6	2.5	45	90	112	71	188	138	117	255
80	19	40	6	21.5	165	130	200	12	3.5	100	80	120	M6	3.0	50	100	125	80	217	155	137	290
90S	24	50	8	27	165	130	200	12	3.5	115	95	140	M8	3.0	56	100	140	90	235	176	145	310
90L/90LL	24	50	8	27	165	130	200	12	3.5	115	95	140	M8	3.0	56	125	140	90	235	176	145	335
100L	28	60	8	31	215	180	250	15	4.0	130	110	160	M8	3.5	63	140	160	100	252	197	152	386
112M	28	60	8	31	215	180	250	15	4.0	130	110	160	M8	3.5	70	140	190	112	292	220	180	395
132S	38	80	10	41	265	230	300	15	4.0	165	130	200	M10	4.0	89	140	216	132	325	257	195	436
132M	38	80	10	41	265	230	300	15	4.0	165	130	200	M10	4.0	89	178	216	132	325	257	195	475

The dimensions are indicative.

**IE 1 ALUMINUM** Δ/Y 230/400V-50Hz (F112) Δ 400V-50Hz (≥ 132)

1. Cl.F - IP55 - IC411

Duty S1 ($P_N < 0,75\text{kW}$) - **S3** 70% ($P_N \geq 0,75\text{kW}$)**Aluminum casing****Efficiency IE1** (IEC60034-30, IEC60034-2-1)**2 POLES 3000 min⁻¹**

P_N [kW]	Motor	Poles	n_N [min ⁻¹]	M_N [Nm]	I_N [A]	COS φ	η 100%	M_S/M_N	M_{max}/M_N	I_S/I_N	J_0 [kg m ²]	W [kg]
11	CHT 132 MC	2	2800	37,5	20,5	0,88	88,0	2,0	2,2	7,0	0,017	65
11	CHT 160 M	2	2800	37,5	20,4	0,88	88,4	2,0	2,3	7,0	0,038	104
15	CHT 160 L	2	2800	51,2	27,5	0,88	89,4	2,0	2,3	7,0	0,045	116
18,5	CHT 160 LB	2	2800	63,1	33,3	0,89	90,0	2,0	2,2	7,0	0,055	130

4 POLES 1500 min⁻¹

P_N [kW]	Motor	Poles	n_N [min ⁻¹]	M_N [Nm]	I_N [A]	COS φ	η 100%	M_S/M_N	M_{max}/M_N	I_S/I_N	J_0 [kg m ²]	W [kg]
11	CHT 132 MC	4	1440	73,0	21,5	0,84	88,0	2,2	2,3	7,0	0,044	80
11	CHT 160 M	4	1440	73,0	21,4	0,84	88,4	2,2	2,3	7,0	0,075	107
15	CHT 160 L	4	1440	99,5	28,8	0,84	89,4	2,2	2,3	7,0	0,092	128

6 POLES 1000 min⁻¹

P_N [kW]	Motor	Poles	n_N [min ⁻¹]	M_N [Nm]	I_N [A]	COS φ	η 100%	M_S/M_N	M_{max}/M_N	I_S/I_N	J_0 [kg m ²]	W [kg]
5,5	CHT 132 MB	6	960	54,7	11,9	0,78	85,3	2,0	2,2	6,5	0,046	64
7,5	CHT 160 M	6	940	76,2	16,1	0,78	86,0	2,0	2,0	6,5	0,088	108
11	CHT 160 L	6	940	111,8	23,4	0,78	87,0	2,0	2,0	6,5	0,116	126



IE 1 CAST IRON

Δ/Y 400/690 V-50Hz

1. Cl.F - IP54 - IC411

Duty S3 70%

Cast iron casing

Efficiency IE1 (IEC60034-30, IEC60034-2-1)

2 POLES 3000 min⁻¹

P _N [kW]	Motor	Poles	n _N [min ⁻¹]	M _N [Nm]	I _N [A]	COS φ	η 100%	M _s /M _N	M _{max} /M _N	I _s /I _N	J ₀ [kg m ²]	W [kg]
22	CHT 180 M	2	2940	71	39	0,90	89,9	2,1	2,3	7,0	0,075	165
30	CHT 200 LA	2	2950	97	53	0,90	90,7	2,0	2,5	6,9	0,12	218
37	CHT 200 LB	2	2950	120	65	0,90	91,2	2,0	2,4	7,2	0,14	230
45	CHT 225 M	2	2960	145	79	0,90	91,7	2,2	2,4	7,3	0,23	280
55	CHT 250 M	2	2965	177	96	0,90	92,1	2,0	2,3	7,1	0,31	365
75	CHT 280 S	2	2970	241	130	0,90	92,7	2,2	2,4	7,3	0,58	495
90	CHT 280 M	2	2970	289	153	0,91	93,0	2,0	2,3	7,0	0,68	565
110	CHT 315 S	2	2975	353	187	0,91	93,3	1,9	2,3	7,1	1,18	840
132	CHT 315 M	2	2975	424	224	0,91	93,5	1,8	2,3	6,6	1,82	980
160	CHT 315 LA	2	2975	514	268	0,92	93,8	1,9	2,3	6,7	2,08	1055
200	CHT 315 LB	2	2975	642	334	0,92	94,0	1,8	2,3	7,0	2,38	1110

4 POLES 1500 min⁻¹

P _N [kW]	Motor	Poles	n _N [min ⁻¹]	M _N [Nm]	I _N [A]	COS φ	η 100%	M _s /M _N	M _{max} /M _N	I _s /I _N	J ₀ [kg m ²]	W [kg]
18,5	CHT 180 M	4	1460	121	35	0,86	89,9	2,1	2,8	6,7	0,14	164
22	CHT 180 L	4	1470	143	41	0,86	89,9	2,2	3,0	7,5	0,16	182
30	CHT 200 L	4	1470	195	56	0,86	90,7	2,3	2,5	6,6	0,26	244
37	CHT 225 S	4	1470	240	67	0,87	91,2	2,3	2,6	7,2	0,41	258
45	CHT 225 M	4	1475	291	81	0,87	91,7	2,2	2,4	7,0	0,47	290
55	CHT 250 M	4	1475	356	99	0,87	92,1	2,3	2,6	7,1	0,66	388
75	CHT 280 S	4	1480	484	134	0,87	92,7	2,3	2,5	6,6	1,12	510
90	CHT 280 M	4	1480	581	161	0,87	93,0	2,2	2,4	6,2	1,46	606
110	CHT 315 S	4	1480	710	193	0,88	93,3	2,2	2,4	7,0	3,11	910
132	CHT 315 M	4	1480	852	232	0,88	93,5	2,2	2,5	6,8	3,62	985
160	CHT 315 LA	4	1480	1032	277	0,89	93,8	2,1	2,4	6,6	4,13	1056
200	CHT 315 LB	4	1480	1291	345	0,89	94,0	2,2	2,4	6,9	4,73	1128

6 POLES 1000 min⁻¹

P _N [kW]	Motor	Poles	n _N [min ⁻¹]	M _N [Nm]	I _N [A]	COS φ	η 100%	M _s /M _N	M _{max} /M _N	I _s /I _N	J ₀ [kg m ²]	W [kg]
15	CHT 180 L	6	970	148	31	0,81	87,7	2,1	2,2	6,9	0,16	178
18,5	CHT 200 LA	6	980	180	37	0,81	88,6	2,1	2,2	6,7	0,26	210
22	CHT 200 LB	6	980	214	43	0,83	89,2	2,1	2,2	6,6	0,28	227
30	CHT 225 M	6	980	292	57	0,84	90,2	2,0	2,1	6,7	0,47	265
37	CHT 250 M	6	980	361	68	0,86	90,8	2,1	2,2	6,9	0,66	370
45	CHT 280 S	6	980	439	83	0,86	91,4	2,1	2,2	6,5	1,12	490
55	CHT 280 M	6	980	536	100	0,86	91,9	2,0	2,1	6,6	1,46	540
75	CHT 315 S	6	985	727	136	0,86	92,6	2,0	2,3	6,8	3,11	800
90	CHT 315 M	6	985	873	163	0,86	92,9	2,1	2,2	6,7	3,62	920
110	CHT 315 LA	6	985	1066	198	0,86	93,3	2,0	2,1	6,6	4,13	960
132	CHT 315 LB	6	985	1280	234	0,87	93,5	2,1	2,3	6,4	4,73	1050

**IE 3 ALUMINUM** Δ/Y 230/400V-50Hz (F112) Δ 400V-50Hz (≥ 132)

1. Cl.F - IP55 - IC411

Duty S1

Aluminum casing

Efficiency IE3 (IEC60034-30, IEC60034-2-1)

2 POLES 3000 min⁻¹

P _N [kW]	Motor	Poles	n _N [min ⁻¹]	M _N [Nm]	I _N [A]	COS φ			η			M _s /M _N	M _{max} /M _N	I _s /I _N	J ₀ [kg m ²]	W [kg]
						100%	75%	50%	100%	75%	50%					
11	CHT 160 M	2	2940	35,7	19,6	0,89	91,2	91,4	90,1	2,2	2,3	7,9	0,063	108		
15	CHT 160 L	2	2935	48,8	26,5	0,89	91,9	92,2	91,7	2,2	2,3	8,0	0,073	119		
18,5	CHT 160 LB	2	2940	60,1	32,4	0,89	92,5	92,9	92,3	2,2	2,3	8,1	0,084	134		

4 POLES 1500 min⁻¹

P _N [kW]	Motor	Poles	n _N [min ⁻¹]	M _N [Nm]	I _N [A]	COS φ			η			M _s /M _N	M _{max} /M _N	I _s /I _N	J ₀ [kg m ²]	W [kg]
						100%	75%	50%	100%	75%	50%					
11	CHT 160 M	4	1460	72,0	20,7	0,84	91,4	91,5	91,5	2,2	2,3	7,5	0,096	111		
15	CHT 160 L	4	1460	98,1	27,7	0,85	92,1	92,3	92,1	2,2	2,3	7,5	0,133	132		

6 POLES 1000 min⁻¹

P _N [kW]	Motor	Poles	n _N [min ⁻¹]	M _N [Nm]	I _N [A]	COS φ			η			M _s /M _N	M _{max} /M _N	I _s /I _N	J ₀ [kg m ²]	W [kg]
						100%	75%	50%	100%	75%	50%					
7,5	CHT 160 M	6	970	73,8	15,8	0,77	89,1	89,3	89,0	2,1	2,1	6,7	0,107	111		
15	CHT 160 L	6	970	108,3	22,5	0,78	90,3	90,4	90,0	2,1	2,1	7,2	0,146	132		



IE 3 CAST IRON

Δ/Y 400/690 V-50Hz

1. Cl.F - IP54 - IC411

Duty S1

Cast iron casing

Efficiency IE3 (IEC60034-30, IEC60034-2-1)

2 POLES 3000 min⁻¹

P _N [kW]	Motor	Poles	n _N [min ⁻¹]	M _N [Nm]	I _N [A]	COS φ	η			M _s /M _N	M _{max} /M _N	I _s /I _N	J ₀ [kg m ²]	W [kg]
							100%	75%	50%					
22	CHT 180 M	2	2955	71	38	0,90	92,7	92,7	90,8	2,2	2,3	8,2	0,098	182
30	CHT 200 LA	2	2960	97	52	0,89	93,3	93,3	91,4	2,2	2,3	7,5	0,14	250
37	CHT 200 LB	2	2960	119	63	0,91	93,7	93,7	91,8	2,2	2,3	7,5	0,17	259
45	CHT 225 M	2	2965	145	79	0,88	94,0	94,0	92,1	2,2	2,3	7,6	0,28	324
55	CHT 250 M	2	2970	177	95	0,89	94,3	94,3	92,4	2,2	2,3	7,6	0,40	426
75	CHT 280 S	2	2975	241	127	0,90	94,7	94,7	92,8	2,0	2,3	6,9	0,65	533
90	CHT 280 M	2	2975	289	154	0,89	95,0	95,0	93,1	2,0	2,3	7,0	0,75	812
110	CHT 315 S	2	2975	353	185	0,90	95,2	95,2	93,3	2,0	2,2	7,1	1,45	905
132	CHT 315 M	2	2975	424	222	0,90	95,4	95,4	93,5	2,0	2,2	7,1	2,10	995
160	CHT 315 LA	2	2980	513	268	0,90	95,6	95,6	93,7	2,0	2,2	7,1	2,40	1119
200	CHT 315 LB	2	2980	641	331	0,91	95,8	95,8	93,9	2,0	2,2	7,1	2,60	1150

4 POLES 1500 min⁻¹

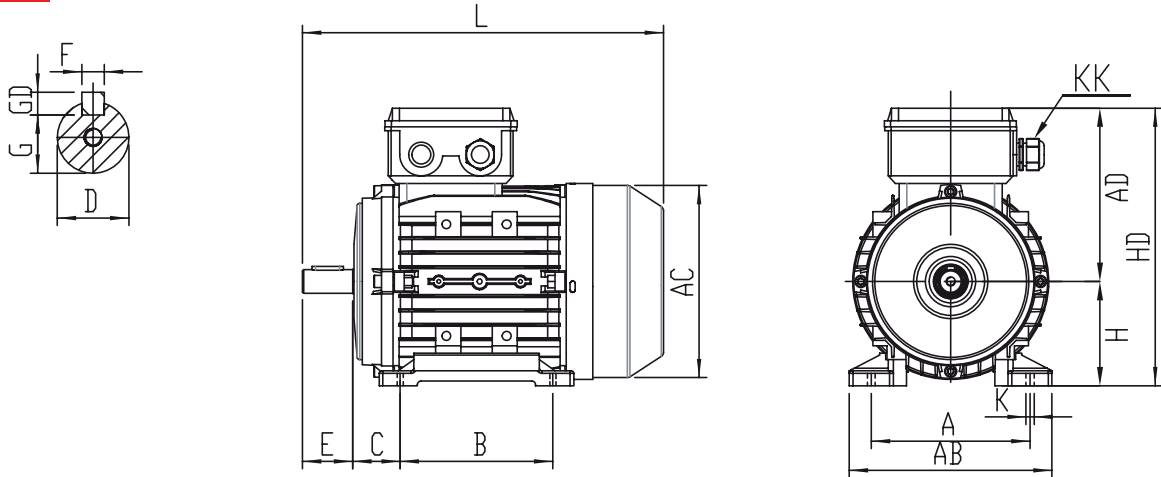
P _N [kW]	Motor	Poles	n _N [min ⁻¹]	M _N [Nm]	I _N [A]	COS φ	η			M _s /M _N	M _{max} /M _N	I _s /I _N	J ₀ [kg m ²]	W [kg]
							100%	75%	50%					
18,5	CHT 180 M	4	1470	120	34	0,84	92,6	92,6	90,7	2,2	2,3	7,5	0,14	175
22	CHT 180 L	4	1470	143	40	0,85	93,0	93,0	91,1	2,2	2,3	7,7	0,16	209
30	CHT 200 L	4	1475	194	54	0,86	93,6	93,6	91,7	2,2	2,3	7,8	0,26	275
37	CHT 225 S	4	1485	238	66	0,86	93,9	93,9	92,0	2,2	2,3	7,2	0,41	324
45	CHT 225 M	4	1485	289	79	0,87	94,2	94,2	92,3	2,2	2,3	7,3	0,47	359
55	CHT 250 M	4	1485	354	97	0,87	94,6	94,6	92,7	2,2	2,3	7,4	0,67	433
75	CHT 280 S	4	1485	482	129	0,88	95,0	95,0	93,1	2,2	2,3	7,4	1,13	568
90	CHT 280 M	4	1485	579	157	0,87	95,2	95,2	93,3	2,2	2,3	6,7	1,47	649
110	CHT 315 S	4	1485	707	189	0,88	95,4	95,4	93,5	2,2	2,2	6,9	3,15	935
132	CHT 315 M	4	1485	849	226	0,88	95,6	95,6	93,7	2,2	2,2	6,9	3,65	1020
160	CHT 315 LA	4	1485	1029	274	0,89	95,8	95,8	93,9	2,2	2,2	6,9	4,15	1090
200	CHT 315 LB	4	1490	1282	342	0,89	96,0	96,0	94,1	2,2	2,2	6,9	4,75	1233

6 POLES 1000 min⁻¹

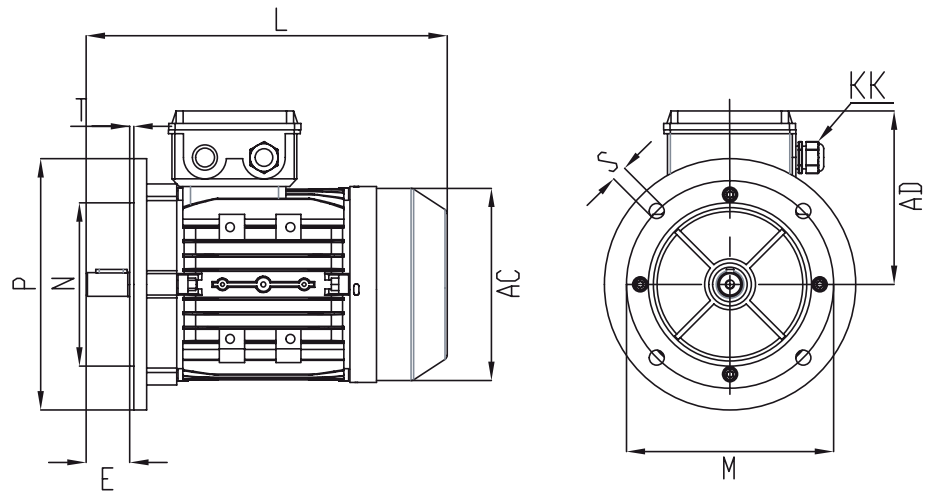
P _N [kW]	Motor	Poles	n _N [min ⁻¹]	M _N [Nm]	I _N [A]	COS φ	η			M _s /M _N	M _{max} /M _N	I _s /I _N	J ₀ [kg m ²]	W [kg]
							100%	75%	50%					
15	CHT 180 L	6	980	146	31	0,81	91,2	91,2	89,4	2,0	2,1	7,2	0,21	193
18,5	CHT 200 LA	6	980	180	36	0,81	91,7	91,7	89,9	2,1	2,1	7,2	0,32	230
22	CHT 200 LB	6	980	214	41	0,83	92,2	92,2	90,4	2,1	2,1	7,3	0,36	243
30	CHT 225 M	6	980	292	56	0,84	92,9	92,9	91,0	2,0	2,1	7,1	0,55	302
37	CHT 250 M	6	985	359	68	0,84	93,3	93,3	91,4	2,1	2,1	7,1	0,85	390
45	CHT 280 S	6	985	436	82	0,85	93,7	93,7	91,8	2,0	2,1	7,2	1,40	505
55	CHT 280 M	6	985	533	99	0,85	94,1	94,1	92,2	2,0	2,1	7,2	1,70	570
75	CHT 315 S	6	985	727	135	0,85	94,6	94,6	92,7	2,0	2,0	6,7	4,15	815
90	CHT 315 M	6	985	873	161	0,85	94,9	94,9	93,0	2,0	2,0	6,7	4,80	955
110	CHT 315 LA	6	985	1066	194	0,86	95,1	95,1	93,2	2,0	2,0	6,7	5,48	1015
132	CHT 315 LB	6	985	1280	232	0,86	95,4	95,4	93,5	2,0	2,0	6,7	6,15	1120



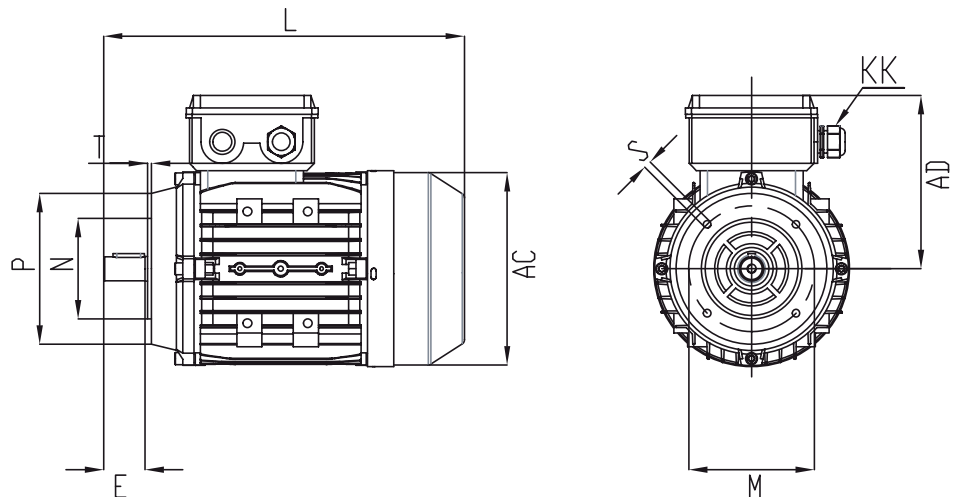
B3



B5



B14





ELECTRIC MOTORS - DIMENSIONS

Size	Bearings		CableGlands	Terminals	IM B5					IM B14				
	DE	NDE	KK	n. x...	M	N	P	n x S	T	M	N	P	n x S	T
132 M	6308 2RZ	6308 2RZ	M25x1.5	6xM5	265	230 j6	300	4x14,5	4	165	130 j6	200	4xM10	3,5
160 M/L	6309 2RZ	6308 2RZ	M32x1.5	6xM6	300	250 h6	352	4x18,5	5	215	180 j6	250	4xM12	4
180 M/L	6311 2RZ	6311 2RZ	2*M40x1.5	6xM6	300	250 h6	350	4x18,5	5	-	-	-	-	-
200	6312 2RZ	6312 2RZ	2*M50x1.5	6xM8	350	300 h6	400	4x18,5	5	-	-	-	-	-
225 S/M	6213 2RZ	6213 2RZ	2*M50x1.5	6xM8	400	350 h6	450	8x18,5	5	-	-	-	-	-
250	6314 2RZ	6314 2RZ	2*M63x1.5	6xM10	500	450 h6	550	8x18,5	5	-	-	-	-	-
280 S/M	6317 2RZ	6317 2RZ	2*M63x1.5	6xM10	500	450 h6	550	8x18,5	5	-	-	-	-	-
315 S/M/L	6319 2RZ	6319 2RZ	2*M63x1.5	6xM16	600	550 h6	660	8x24	6	-	-	-	-	-

Size	IM B3							Shaft					General					
	A	AB	K	B	C	H	HD	D	E	F	G	GD	AC	AD	L			
132 M	216	255	12	178	89	132	325	38 k6 M12	80	10	33	8	260	193	510			
160 M	254	295	14,5	210	108	160	395	42 k6 M16	110	12	37	8	315	235	610			
160 L				254														
180 M	279	355	14,5	241	121	180	460	48 k6 M16	110	14	42,5	9	355	267	652			
180 L				279											691			
200	318	395	18,5	305	133	200	505	55 m6 M20	110	16	49	10	397	300	746			
225 S	356	435	18,5	286	149	225	560	60 m6 M20	140	18	53	11	446	325	785			
225 M 2p				311				55 m6 M20	110	16	49	10			780			
225 M 4,6p				311				60 m6 M20	140	18	53	11			810			
250 2p	406	490	24	349	168	250	620	60 m6 M20	140	18	53	11	485	360	900			
250 4,6p								65 m6 M20			58							
280 S 2p	457	550	24	368	190	280	690	65 m6 M20	140	18	58	11	547	390	924			
280 S 4,6p								75 m6 M20			20				67,5	12	964	
280 M 2p				419				65 m6 M20			18				58	11	975	
280 M 4,6p								75 m6 M20			20				67,5	12	1015	
315 S 2p	508	635	28	406	216	315	845	65 m6 M20	140	18	58	11	620	530	1200			
315 S 4,6p								80 m6 M20			170				22	71	14	1230
315 L 2p				457				65 m6 M20			140				18	58	11	1310
315 L 4,6p								508			80 m6 M20				170	22	71	14
315 M 2p				508							65 m6 M20				140	18	58	11
315 M 4,6p								80 m6 M20			170				22	71	14	1340



230V-50Hz
1. Cl.F - IP55 - IC411
Duty S1
Aluminum casing
Running capacitor *

* High starting torque with double capacitors, main and auxiliary.

2 POLES 3000 min⁻¹

P _N [kW]	Motor	Poles	n _N [min ⁻¹]	M _N [Nm]	I _N [A]	COS φ	n 100%	M _S /M _N	M _{max} /M _N	I _S /I _N	Cap [μF]	J ₀ [kg m ²]	W [kg]
0,18	CHT 63 A	2	2600	0,7	1,40	0,98	56,9	0,8	1,7	2,4	10	0,0002	4,5
0,25	CHT 63 B	2	2600	0,9	1,85	0,98	60,0	0,8	1,6	2,5	12	0,0003	5,0
0,37	CHT 71 A	2	2650	1,3	2,6	0,98	62,7	0,8	1,7	2,6	16	0,0004	6,8
0,55	CHT 71 B	2	2700	1,9	3,5	0,98	65,9	0,8	1,7	2,7	20	0,0005	7,5
0,75	CHT 80 A	2	2700	2,7	4,9	0,98	67,8	0,8	1,8	2,6	30	0,0010	10
1,1	CHT 80 B	2	2700	3,9	6,8	0,98	71,6	0,7	1,7	2,8	40	0,0012	11
1,5	CHT 90 S	2	2800	5,1	8,7	0,99	75,4	0,7	1,9	3,6	60	0,0019	15
2,2	CHT 90 L	2	2800	7,5	13,1	0,99	77,1	0,7	2,0	3,7	80	0,0026	18
3	CHT 100 LA	2	2850	10,1	17,6	0,99	77,9	0,5	2,1	4,8	80	0,0055	25

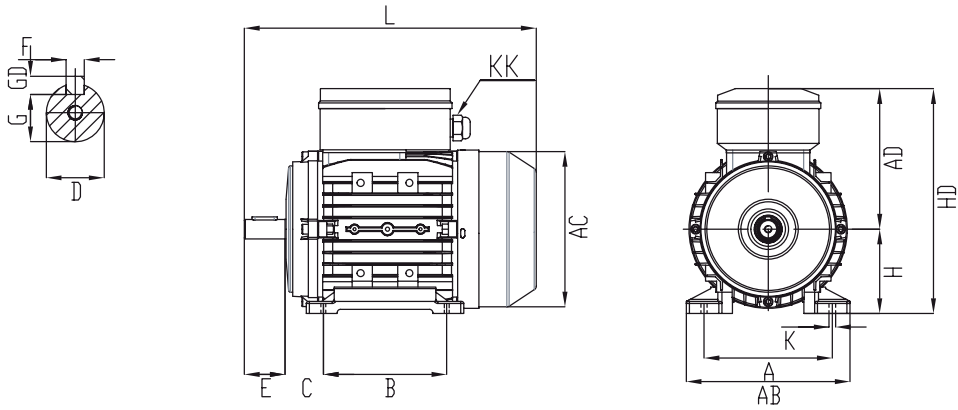
4 POLES 1500 min⁻¹

P _N [kW]	Motor	Poles	n _N [min ⁻¹]	M _N [Nm]	I _N [A]	COS φ	n 100%	M _S /M _N	M _{max} /M _N	I _S /I _N	Cap [μF]	J ₀ [kg m ²]	W [kg]
0,12	CHT 63 A	4	1300	0,9	1,1	0,98	51,8	0,8	2,4	1,8	8	0,0003	4,4
0,18	CHT 63 B	4	1300	1,3	1,6	0,98	55,0	0,8	2,4	1,8	10	0,0004	4,8
0,25	CHT 71 A	4	1320	1,8	2,0	0,98	56,6	0,8	2,0	2,1	16	0,0008	6,2
0,37	CHT 71 B	4	1320	2,7	3,0	0,98	58,9	0,8	2,0	2,1	20	0,0010	6,7
0,55	CHT 80 A	4	1350	3,9	3,7	0,98	64,2	0,7	1,8	2,7	25	0,0017	11
0,75	CHT 80 B	4	1350	5,3	5,1	0,99	65,1	0,7	1,7	2,7	35	0,0022	12
1,1	CHT 90 S	4	1350	7,8	7,0	0,99	68,5	0,6	1,7	2,7	50	0,0031	15
1,5	CHT 90 L	4	1350	10,6	9,2	0,99	71,3	0,6	1,7	2,9	65	0,0045	18
2,2	CHT 100 LA	4	1400	15,0	13,0	0,99	75,1	0,5	2,0	4,1	80	0,010	26

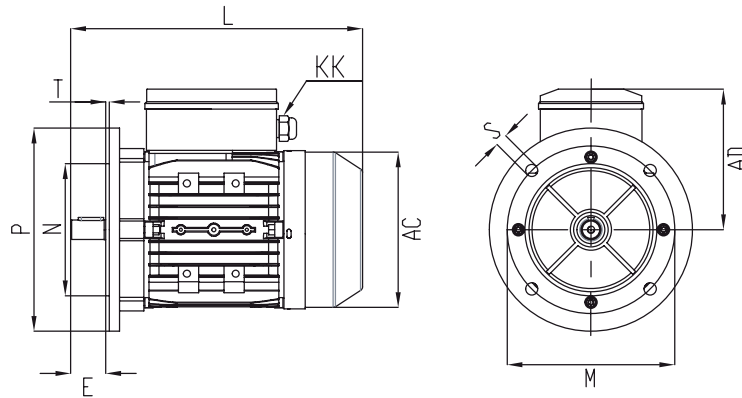


GENERAL TECHNICAL - DIMENSIONS

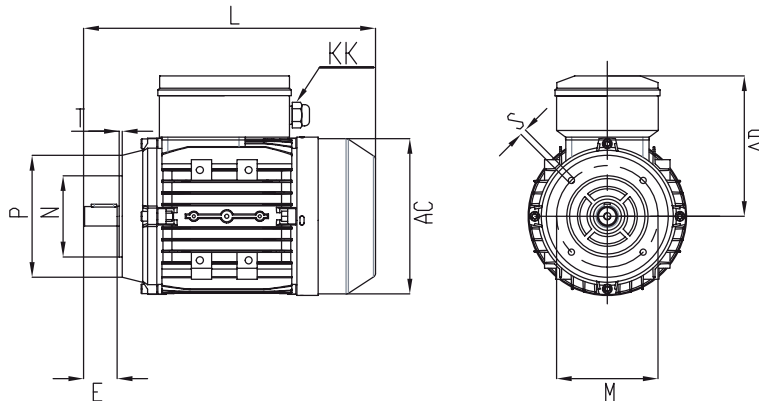
B3



B5



B14



Size	Bearings		CableGlands KK	Terminals n. x...	IM B5					IM B14				
	DE	NDE			M	N	P	n x S	T	M	N	P	n x S	T
63	6201 2RZ	6201 2RZ	M16x1.5	6xM4	115	95 j6	140	4x10	3	75	60 j6	90	4xM5	2,5
71	6202 2RZ	6202 2RZ	M20x1.5	6xM4	130	110 j6	160	4x10	3,5	85	70 j6	105	4xM6	2,5
80	6204 2RZ	6204 2RZ	M20x1.5	6xM4	165	130 j6	200	4x12	3,5	100	80 j6	120	4xM6	3
90 S/L	6205 2RZ	6205 2RZ	M20x1.5	6xM4	165	130 j6	200	4x12	3,5	115	95 j6	140	4xM8	3
100	6206 2RZ	6206 2RZ	M20x1.5	6xM5	215	180 j6	250	4x14,5	4	130	110 j6	160	4xM8	3,5

Size	IM B3							Shaft					General		
	A	AB	K	B	C	H	HD	D	E	F	G	GD	AC	AD	L
63	100	120	7	80	40	63	182	11 j6 M4	23	4	8,5	4	119	119	219
71	112	132	7	90	45	71	197	14 j6 M5	30	5	11	5	137	126	250
80	125	162	10	100	50	80	229	19 j6 M6	40	6	15,5	6	157	149	279
90 S	140	176	10	100	56	90	244	24 j6 M8	50	8	20	7	175	154	353
90 L	140	176	10	125	56	90	244	24 j6 M8	50	8	20	7	175	154	353
100	160	205	12	140	63	100	262	28 j6 M10	60	8	24	7	200	162	389

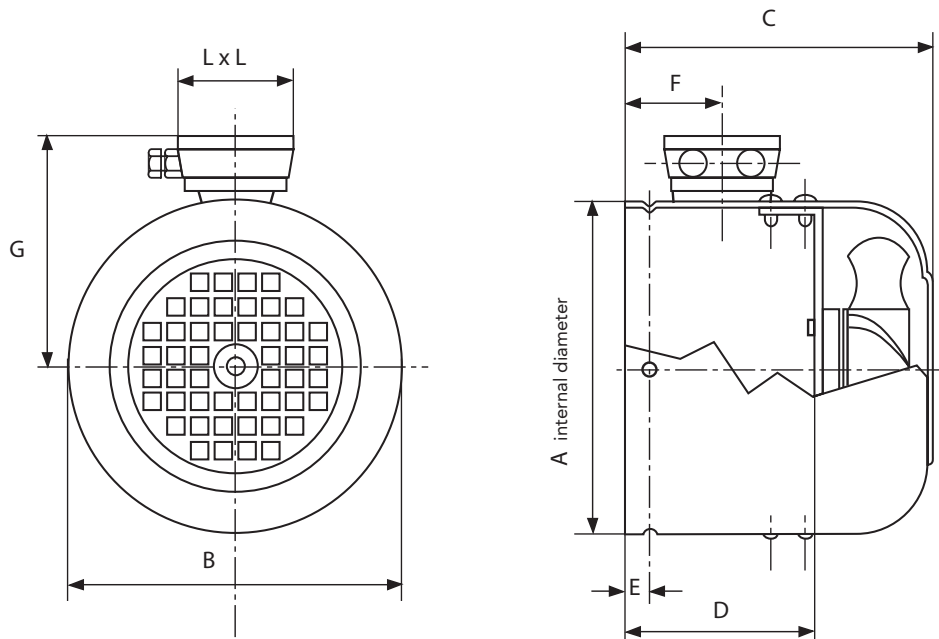


SERVO-VENTILATED KITS





SERVO-VENTILATED KITS MONO-PHASE SERIE



Single-phase dimensions with IP55 terminal box

SIZE	VOLTAGE	HZ	NOM. SPEED MIN/1	ASSORB. WATT	CURRENT M.A.	AIR FLOW M ³ /H
63	230	50 / 60	2750	15 / 14	120 / 100	180
71	230	50 / 60	2750	15 / 14	120 / 100	180
80	230	50 / 60	2750	15 / 14	120 / 100	180
90	230	50 / 60	2900	42 / 36	190 / 180	340
100	230	50 / 60	2900	42 / 36	190 / 180	340
112	230	50 / 60	2900	42 / 36	190 / 180	340
132	230	50 / 60	2900	42 / 36	190 / 180	340

SIZE	COD. IP55	A	B	C	D	E	F	G	L x L
63	AS063230	121	123	102	58	6	50	104	75
71	AS071230	136	138	120	70	6	50	111	75
80	AS080230	153	155	130	80	6	55	125	100
90	AS090230	172	176	145	75	6	60	135	100
100	AS100230	195	197	158	85	8	60	150	100
112	AS112230	218	220	160	100	10	60	160	100
132	AS132230	255	257	180	120	8	65	175	100

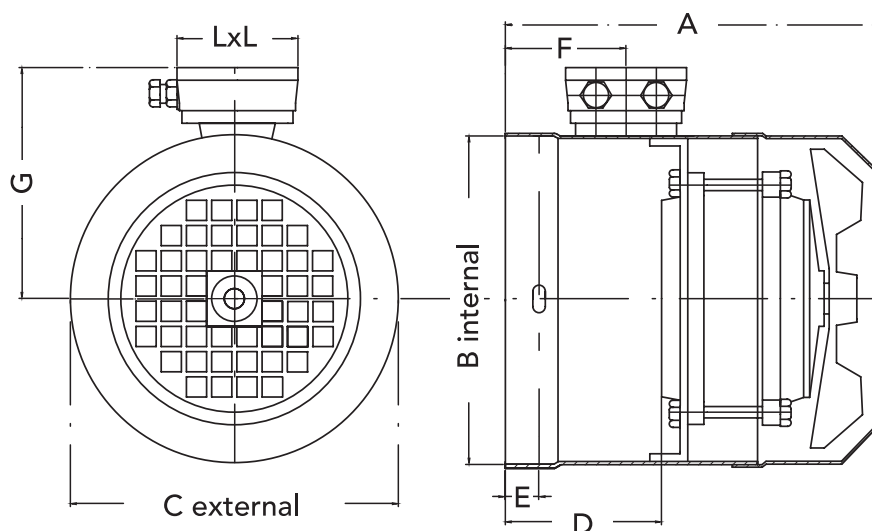


SERVO-VENTILATED KITS THREE-PHASE SERIE

Three-phase 400V and 230/400V IP65

With/without (C/S) terminal box

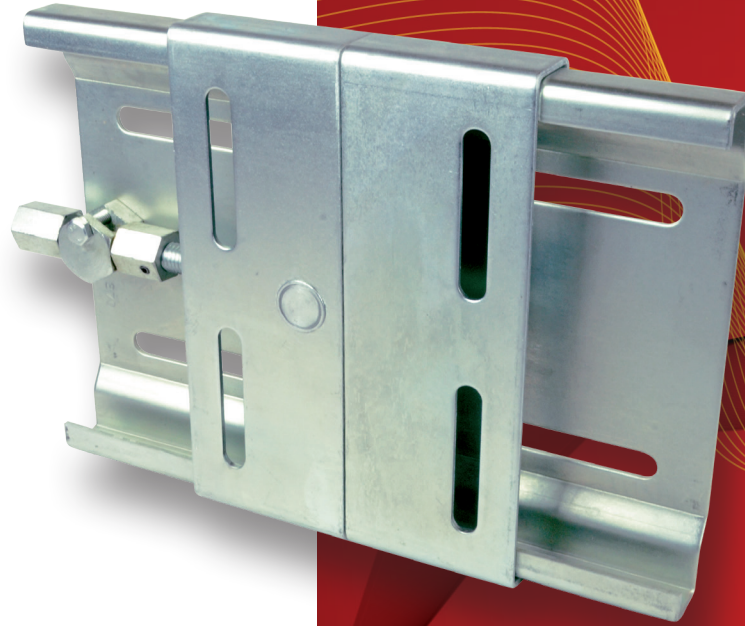
From g 63 to g 132



170

SIZE	VOLT	VOLT	Hz	RPM	POWER WATT	ASSORB. (400 V) A	ASSORB. (230/400 V) A	AIR m ³ /h
63	400	230/400	50/60	2900	104	0.26	0.45/0.26	250
71	400	230/400	50/60	2900	104	0.26	0.45/0.26	250
80	400	230/400	50/60	2900	104	0.26	0.45/0.26	300
90	400	230/400	50/60	2900	104	0.26	0.45/0.26	350
100	400	230/400	50/60	2900	104	0.26	0.45/0.26	400
112	400	230/400	50/60	2900	104	0.26	0.45/0.26	450
132	400	230/400	50/60	2900	104	0.26	0.45/0.26	550

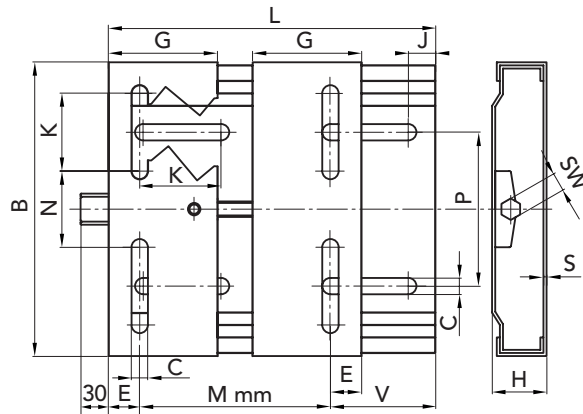
SIZE	A	B	C	D	E	F	G	L*L
63	178	120	122	72	6	85	105	75
71	185	136	138	73	6	85	112	75
80	212	154	156	96	6	85	120	75
90	203	174	176	90	6	75	130	75
100	205	191	193	81	6	70	140	75
112	228	219	221	105	8	93	150	75
132	252	256	258	120	8	111	170	75



BELT TENSIONER SLIDES FOR ELECTRIC MOTORS

MATERIAL

Galvanized metal sheet **FE 430**



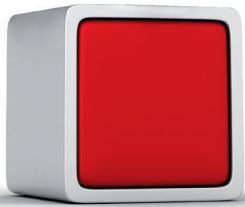
DIMENSIONS

MOTOR SIZE	TYPE	CODE	L	B	H	Mmin	G	E	J	K	C	N	P	SW	S
63/80	210	90100210	210	195	33	100	70	20	25	50	10,5	43	98	19	3
63/112	270	90100270	270	195	33	100	70	20	25	50	10,5	43	98	19	3
90/132	340	90100340	340	290	40	135	95	27	29	62,5	12,5	90	165	22	4
100/160	430	90100430	460	290	40	140	95	27	29	62,5	12,5	90	165	22	4
160/180	490	90100490	490	410	40	254	95	40	30	60	15	193	142/284	22	4

ADJUSTMENT WIDENESS

TYPE	63	71	80	90	100	112	132	160	180	WEIGHT kg
210	70	58	45							2,2
270	130	118	105	90	70	40				2,8
340				140	130	100	75			6,7
430					216	186	10	122		7,5
490								156	131	10,8

Quantities, prices and availability by B2B Chiaravalli



PLANETARY

GEARBOX

High reliability, compact volumes and easy construction are among the main characteristics of new CHIARAVALLI planetary gearboxes.

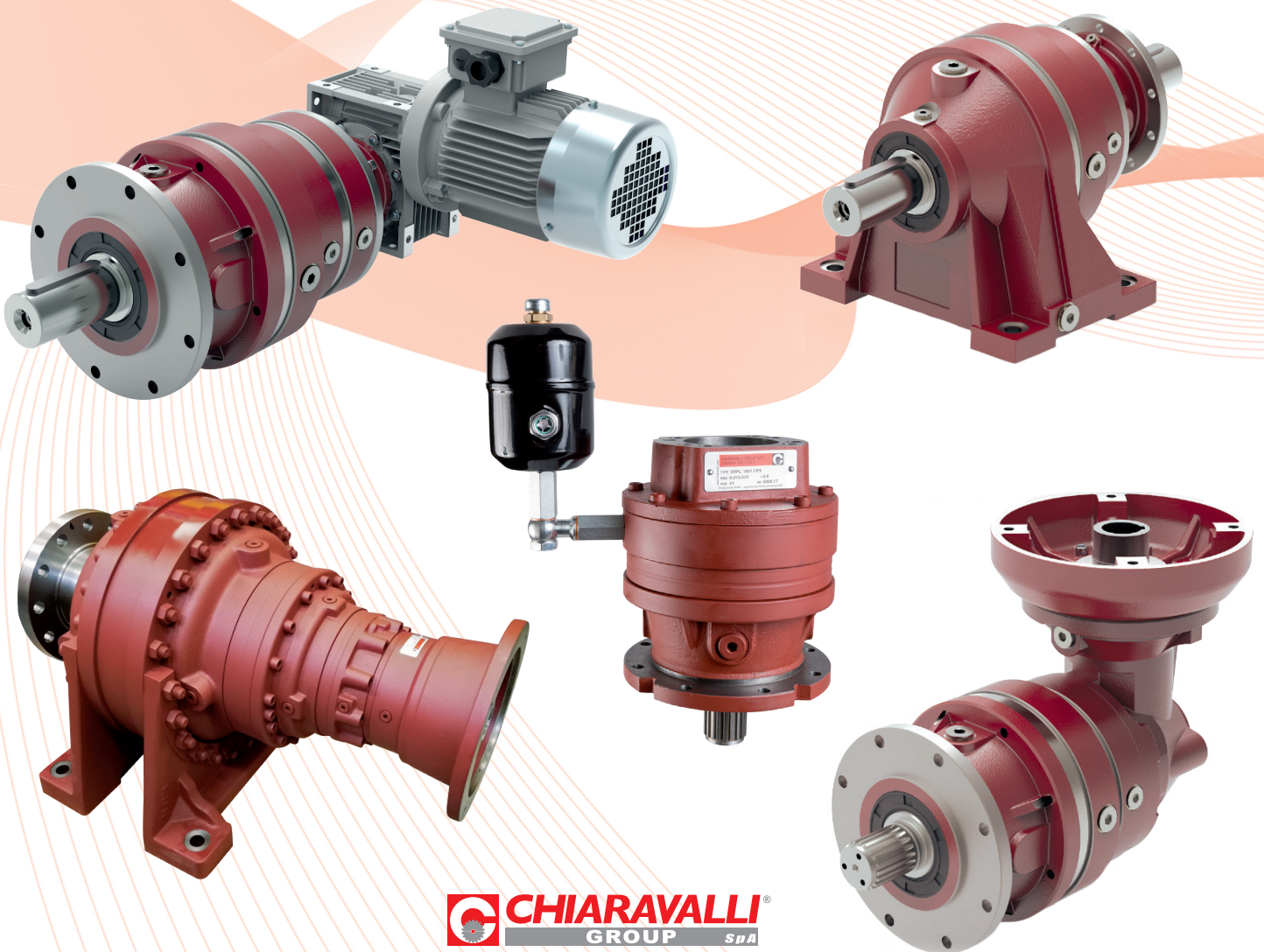
As one of the main advantages, our planetary gearboxes can be easily assembled with electric and hydraulic motors, worm gearboxes (CHM series) and input shafts.

Furthermore, they can be assembled with different output flanges or shafts, all these characteristics

make them suitable for several industrial applications. CHIARAVALLI planetary gear boxes are available in linear version (CHPL) and angular one (CHPLB).

Our range covers 11 transmission sizes, from 100 daNm up to 3500 daNm, rate reductions from 3.55:1 to 3422:1 and more with four reduction stages (these available upon request).

CHIARAVALLI planetary gearboxes are available at anti rusted treated blank surface ready to be painted.





GENERAL SALES CONDITIONS

1) ORDERS - Orders for special and standard material must always refer to offers made by CHIARAVALLI GROUP S.p.A. The orders are binding for the client. Once work has commenced no cancellations or order reductions will be accepted unless the client reimburses the costs of the material and the work carried out up to the moment in which the order was suspended. The quantity despatched can vary by $\pm 5\%$ compared to the quantity ordered.

2) PRICES - The prices are those in force at the date of order. All prices are for goods delivered ex-works Premezzo, packing excluded. If there should be any increase in production and material costs over the duration of the supply, CHIARAVALLI GROUP S.p.A. reserves the right to adapt the prices accordingly, even for orders in course.

3) TERMS OF DELIVERY - Only the terms of delivery indicated by CHIARAVALLI GROUP SpA are to be considered valid. However, they must only be considered as indicative. In the event of difficulty in the procurement of materials, strikes or in any event in all cases of force majeure, the terms of delivery will be automatically extended without CHIARAVALLI GROUP S.p.A. having to pay any reimbursement for damages. The client is obligated to collect special material ordered when ready.

4) DELIVERIES - Deliveries are the responsibility of the purchaser and are carried out at his own risk and peril. Any claims for shortages must be presented within 8 days of receipt of the goods. If it is agreed that the cost of transport is to be paid, even if only in part, by CHIARAVALLI GROUP S.p.A., the latter reserves the right to choose the most economical means of transport.

5) PACKING - Packing will be invoiced at cost.

6) RETURNS - No returns for any reason will be accepted unless previously authorised and with packing, any customs clearance and the return paid for by the purchaser. To cover warehouse and administrative expenses a debit note will be issued for approx. 15% of the value of the goods returned.

7) WARRANTY - CHIARAVALLI GROUP S.p.A. promises to repair or substitute free of charge any parts that they recognise as being defective. The questioned goods must be returned to the factory of CHIARAVALLI GROUP S.p.A., free of all expenses. The warranty will be considered cancelled in the event that the parts returned as defective have been repaired or tampered with. The repair of defective parts carried out by the purchaser will only be accepted after authorisation from CHIARAVALLI GROUP S.p.A. and after their approval of the cost estimate. CHIARAVALLI GROUP S.p.A. does not accept responsibility or pay any reimbursement for damages that occur during the use of their products, even if defective. Warranty is excluded for leakage of lubricant caused by wear of the oil seals.

8) RESPONSIBILITY - CHIARAVALLI GROUP S.p.A. does not accept responsibility or pay any reimbursement for damages that occur during the use of their products, even if defective. CHIARAVALLI GROUP S.p.A. declines all responsibility in the execution of parts to a client's design under any patents.

9) PAYMENTS - Only payments carried out in the manner and terms agreed will be considered valid. Once the due date of payment has passed, CHIARAVALLI GROUP S.p.A. will calculate the interest on delayed payment at a rate that is 3% higher than the legal one, retaining the right to demand payment. In the event of delayed or missing payment by the purchaser, the company CHIARAVALLI GROUP S.p.A. reserves the right to suspend deliveries of the orders in course or to demand advance payment without having to pay any reimbursement or compensation to the purchaser. Any dispute regarding materials in manufacture or already possessed by the purchaser does not free the latter from the commitment of making the payment by the agreed date and for the whole amount of the invoice without making any deductions.

10) OWNERSHIP - All of the goods despatched remain the property of CHIARAVALLI GROUP S.p.A. until the invoice is fully paid.

11) COMPETENT COURT - Any controversy concerning business relations with CHIARAVALLI GROUP SpA will be dealt with under the jurisdiction of the Court of Busto Arsizio.

CHIARAVALLI GROUP SpA, do not accepts responsibility for any errors in the production of this catalogue and reserves the right to add to the drawings designs of the listed products any modification request by manufacturing requirements or due to evolution of the products.



CHIARAVALLI Cz a.s.
 Průmyslová 2083
 59401 Velké Meziříčí
 Česká republika
 Tel. +420 566 502 030
 www.chiaravalli.cz



CHIARAVALLI POLSKA Sp. z o. o.
 ul. Polna 133
 87 - 100 Toruń
 Polska
 Tel. + 48 56 623 30 00
 www.chiaravalli.pl



Via per Cedrate, 476
 21044 Cavaria con Premezzo (VA) · Italy
 Tel. +39 0331 214 511

www.chiaravalli.com
chiaravalli@chiaravalli.com

