



COLLARS and WASHERS

| | |
|---|--------|
| HEAVY TURNED WASHERS | page 4 |
| TURNED TAPER WASHERS | 5 |
| TURNED WASHERS FOR SWIVEL HEADS | 5 |
| COLLARS IN COMPLIANCE WITH DIN 705 | 6 |
| CLAMPING COLLARS FORM C-AB | 7 |
| CLAMPING COLLARS WITH OPEN RING | 8 |



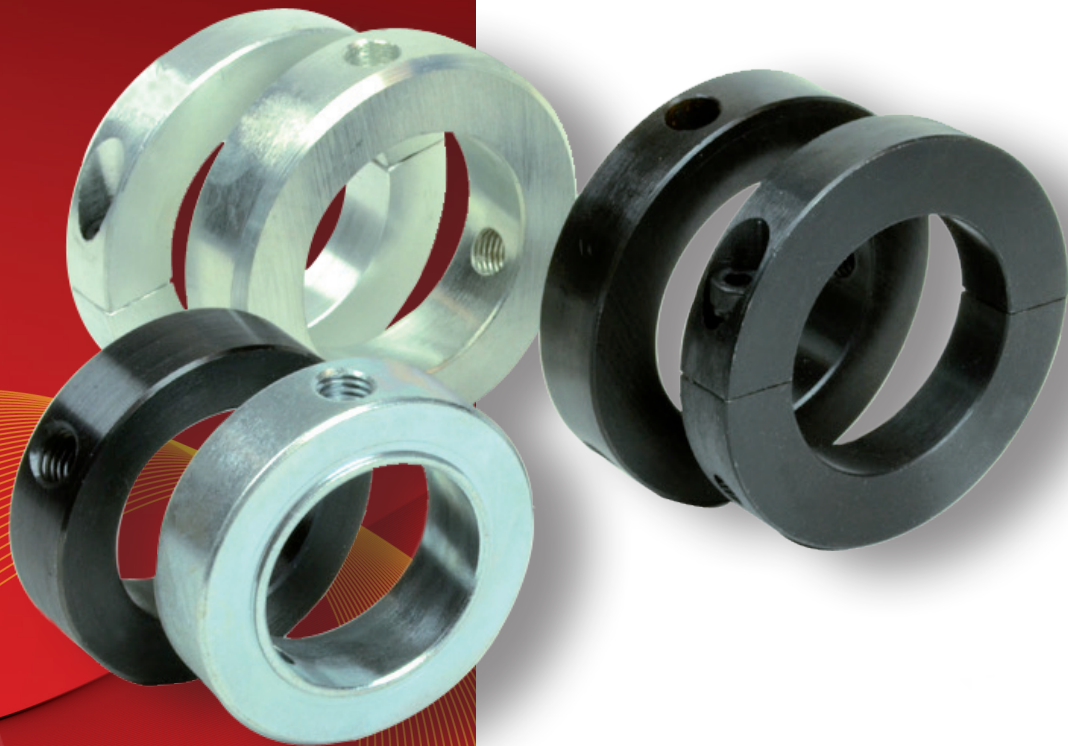
CLAMPING COLLARS

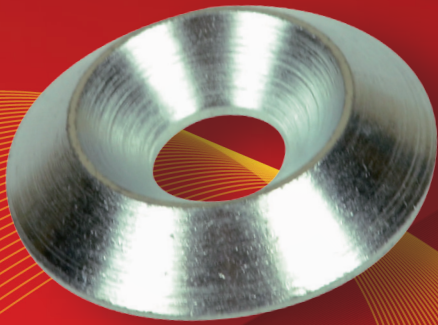
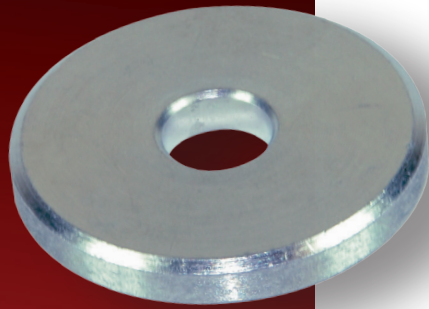
CLAMPING COLLARS

PHOSPHATED

GALVANISED

INOX

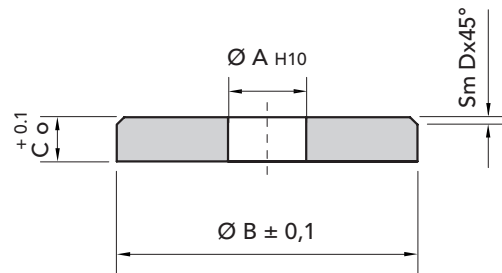




TURNUED WASHERS
PHOSPHATED
GALVANISED

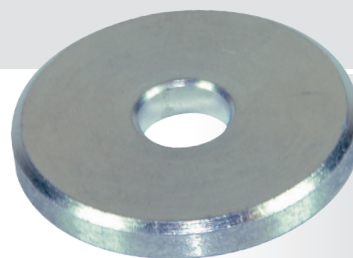


C-RGS



| TYPE | PHOSPHATED PART NUMBER | GALVANISED PART NUMBER | Ø A | Ø B | C | D | PACKAGES FROM | WEIGHT PACKAGE kg |
|-------------|---------------------------|---------------------------|------|-----|---|-----|------------------|-------------------------|
| C-RGS 3-10 | 26100310 | 26200310 | 3,2 | 10 | 2 | 0,5 | 50 | 0,10 |
| C-RGS 4-10 | 26100410 | 26200310 | 4,2 | 10 | 2 | 0,5 | 50 | 0,10 |
| C-RGS 4-15 | 26100415 | 26200415 | 4,2 | 15 | 3 | 0,5 | 50 | 0,15 |
| C-RGS 5-15 | 26100515 | 26200515 | 5,2 | 15 | 3 | 0,5 | 50 | 0,15 |
| C-RGS 5-20 | 26100520 | 26200520 | 5,2 | 20 | 3 | 0,5 | 50 | 0,45 |
| C-RGS 5-25 | 26100525 | 26200525 | 5,2 | 25 | 4 | 1 | 50 | 0,70 |
| C-RGS 5-30 | 26100530 | 26200530 | 5,2 | 30 | 4 | 1 | 50 | 1,35 |
| C-RGS 6-15 | 26100615 | 26200615 | 6,2 | 15 | 3 | 0,5 | 50 | 0,12 |
| C-RGS 6-20 | 26100620 | 26200620 | 6,2 | 20 | 3 | 0,5 | 50 | 0,40 |
| C-RGS 6-25 | 26100625 | 26200625 | 6,2 | 25 | 4 | 1 | 50 | 0,80 |
| C-RGS 6-30 | 26100630 | 26200630 | 6,2 | 30 | 4 | 1 | 50 | 1,05 |
| C-RGS 6-35 | 26100635 | 26200635 | 6,2 | 35 | 5 | 1 | 50 | 1,85 |
| C-RGS 6-40 | 26100640 | 26200640 | 6,5 | 40 | 5 | 1 | 50 | 2,35 |
| C-RGS 8-20 | 26100820 | 26200820 | 8,5 | 20 | 4 | 0,5 | 25 | 0,35 |
| C-RGS 8-25 | 26100825 | 26200825 | 8,5 | 25 | 4 | 1 | 25 | 0,70 |
| C-RGS 8-30 | 26100830 | 26200830 | 8,5 | 30 | 4 | 1 | 25 | 1,00 |
| C-RGS 8-35 | 26100835 | 26200835 | 8,5 | 35 | 5 | 1 | 25 | 1,80 |
| C-RGS 8-40 | 26100840 | 26200840 | 8,5 | 40 | 5 | 1 | 25 | 2,30 |
| C-RGS 8-45 | 26100845 | 26200845 | 8,5 | 45 | 5 | 2 | 25 | 2,90 |
| C-RGS 8-50 | 26100850 | 26200850 | 8,5 | 50 | 6 | 2 | 25 | 4,15 |
| C-RGS 10-25 | 26101025 | 26201025 | 10,5 | 25 | 4 | 1 | 25 | 2,00 |
| C-RGS 10-35 | 26101035 | 26201035 | 10,5 | 35 | 5 | 1 | 25 | 1,60 |
| C-RGS 10-40 | 26101040 | 26201040 | 10,5 | 40 | 5 | 1 | 25 | 2,25 |
| C-RGS 10-45 | 26101045 | 26201045 | 10,5 | 45 | 5 | 2 | 25 | 2,65 |
| C-RGS 10-50 | 26101050 | 26201050 | 10,5 | 50 | 6 | 2 | 25 | 4,10 |
| C-RGS 12-50 | 26101250 | 26201250 | 12,5 | 50 | 6 | 2 | 25 | 4,60 |

MATERIAL **C 45 UNI 7845**
PHOSPHATED
GALVANISED



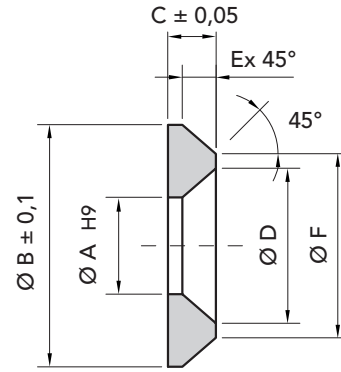
CAD drawings available on our site
www.chiaravalli.com

Quantity, availability and prices
 on B2B Chiaravalli



TURNED TAPER WASHERS

C-RC



| TYPE | PHOSPHATED P. NUMBER | GALVANISED P. NUMBER | Ø A | Ø B | C | Ø D | E | Ø F | PACKAGES | WEIGHT |
|---------|-------------------------|-------------------------|------|-----|-----|------|---------|------|----------|---------|
| | | | | | | | | | FROM | PACKAGE |
| C-RC 4 | 26300004 | 26400004 | 4,1 | 13 | 3 | 8 | 2,1x45° | 8,8 | 50 | 0,12 |
| C-RC 5 | 26300005 | 26400005 | 5,2 | 16 | 3,5 | 10 | 2,6x45° | 10,8 | 50 | 0,15 |
| C-RC 6 | 26300006 | 26400006 | 6,5 | 18 | 3,5 | 12 | 2,1x45° | 13,8 | 50 | 0,24 |
| C-RC 8 | 26300008 | 26400008 | 8,5 | 25 | 5 | 16,5 | 3,5x45° | 18 | 50 | 0,36 |
| C-RC 10 | 26300010 | 26400010 | 10,5 | 33 | 7 | 20,5 | 6x45° | 21 | 50 | 0,75 |
| C-RC 12 | 26300012 | 26400012 | 12,5 | 40 | 8 | 24,5 | 7x45° | 26 | 50 | 1,50 |

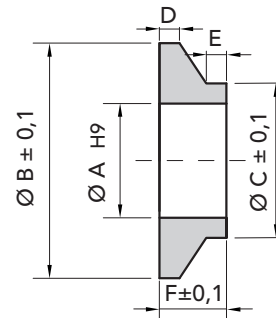


TURNED TAPER WASHERS and TURNED WASHERS FOR SWIVEL HEADS



TURNED WASHERS FOR SWIVEL HEADS

C-RS



| TYPE | PHOSPHATED P. NUMBER | GALVANISED P. NUMBER | Ø A | Ø B | C | Ø D | E | Ø F | PACKAGES | WEIGHT |
|---------|-------------------------|-------------------------|------|-----|----|-----|---|-----|----------|---------|
| | | | | | | | | | FROM | PACKAGE |
| C-RS 6 | 26500006 | 26600006 | 6,5 | 15 | 9 | 1,5 | 1 | 4 | 50 | 0,15 |
| C-RS 8 | 26500008 | 26600008 | 8,5 | 22 | 12 | 1,5 | 2 | 6,5 | 50 | 0,27 |
| C-RS 10 | 26500010 | 26600010 | 10,5 | 22 | 14 | 1,5 | 3 | 6,5 | 50 | 0,40 |



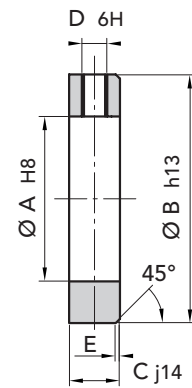
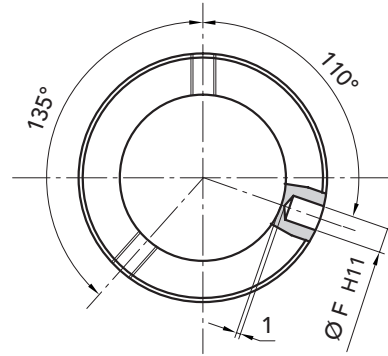
MATERIAL C 45 UNI 7845
PHOSPHATED
GALVANISED

CAD drawings available on our site
www.chiaravalli.com

Quantity, availability and prices
on B2B Chiaravalli



C-ABU



| TYPE | PHOSPHATED P. NUMBER | GALVANISED P. NUMBER | INOX P. NUMBER | | | | | | | PACKAGES | PACKAGES | WEIGHT |
|----------|-------------------------|-------------------------|-------------------|-----|-----|----|-----|-----|-----|--------------|----------------------|---------------|
| | | | | Ø A | Ø B | C | Ø D | E | Ø F | INOX FROM | PHOSP.-GALV. FROM | PACKAGE Kg |
| C-ABU 6 | 27100006 | 27200006 | 27700006 | 6 | 12 | 8 | M4 | 0,8 | 1,5 | 10 | 25 | 0,40 |
| C-ABU 8 | 27100008 | 27200008 | 27700008 | 8 | 16 | 8 | M4 | 0,8 | 2 | 10 | 25 | 0,80 |
| C-ABU 10 | 27100010 | 27200010 | 27700010 | 10 | 20 | 10 | M5 | 1 | 3 | 10 | 25 | 1,50 |
| C-ABU 12 | 27100012 | 27200012 | 27700012 | 12 | 22 | 12 | M6 | 1,2 | 4 | 10 | 25 | 2,00 |
| C-ABU 14 | 27100014 | 27200014 | - | 14 | 25 | 12 | M6 | 1,2 | 4 | - | 25 | 2,70 |
| C-ABU 15 | 27100015 | 27200015 | 27700015 | 15 | 25 | 12 | M6 | 1,2 | 4 | 5 | 20 | 2,50 |
| C-ABU 16 | 27100016 | 27200016 | 27700016 | 16 | 28 | 12 | M6 | 1,2 | 4 | 5 | 20 | 3,50 |
| C-ABU 17 | 27100017 | 27200017 | 27700017 | 17 | 28 | 12 | M6 | 1,2 | 4 | 5 | 20 | 3,00 |
| C-ABU 18 | 27100018 | 27200018 | - | 18 | 32 | 14 | M6 | 1,4 | 5 | - | 20 | 5,40 |
| C-ABU 20 | 27100020 | 27200020 | 27700020 | 20 | 32 | 14 | M6 | 1,4 | 5 | 5 | 20 | 4,80 |
| C-ABU 25 | 27100025 | 27200025 | 27700025 | 25 | 40 | 16 | M8 | 1,6 | 6 | 5 | 20 | 4,25 |
| C-ABU 30 | 27100030 | 27200030 | 27700030 | 30 | 45 | 16 | M8 | 1,6 | 6 | 2 | 10 | 5,00 |
| C-ABU 35 | 27100035 | 27200035 | 27700035 | 35 | 56 | 16 | M8 | 1,6 | 8 | 2 | 10 | 8,60 |
| C-ABU 40 | 27100040 | 27200040 | 27700040 | 40 | 63 | 18 | M10 | 1,8 | 8 | 2 | 10 | 12,00 |
| C-ABU 45 | 27100045 | 27200045 | - | 45 | 70 | 18 | M10 | 1,8 | 8 | - | 10 | 13,50 |
| C-ABU 50 | 27100050 | 27200050 | 27700050 | 50 | 80 | 18 | M10 | 1,8 | 10 | - | - | 22,00 |
| C-ABU 60 | 27100060 | 27200060 | - | 60 | 90 | 20 | M10 | 2 | 10 | - | - | 26,40 |
| C-ABU 70 | 27100070 | 27200070 | - | 70 | 100 | 20 | M10 | 2 | 10 | - | - | 28,75 |
| | | | | | | | | | | | | |
| | | | | | | | | | | | | |
| | | | | | | | | | | | | |
| | | | | | | | | | | | | |
| | | | | | | | | | | | | |
| | | | | | | | | | | | | |
| | | | | | | | | | | | | |
| | | | | | | | | | | | | |
| | | | | | | | | | | | | |



MATERIAL C 45 UNI 7845
PHOSPHATED
GALVANISED
INOX AISI 304

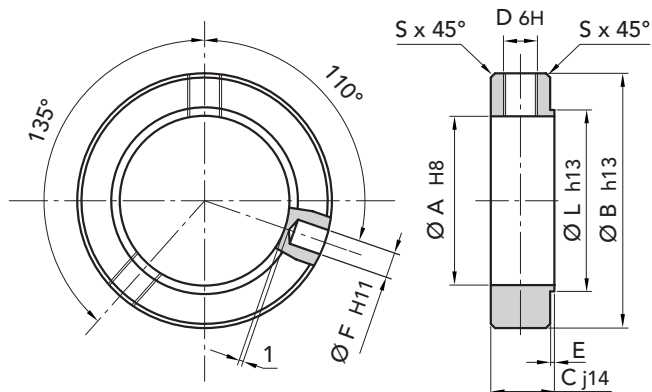
CAD drawings available on our site
www.chiaravalli.com

Quantity, availability and prices
on B2B Chiaravalli



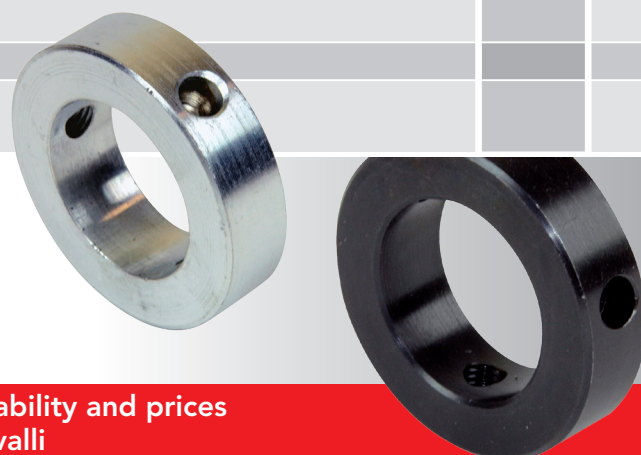
CLAMPING COLLARS FORM C-AB

C-AB



| TYPE | PHOSPHATED P. NUMBER | GALVANISED P. NUMBER | Ø A | Ø B | C | Ø D | E | Ø F | Ø L | S | PACKAGES FROM | WEIGHT PACKAGE kg |
|---------|-------------------------|-------------------------|-----|-----|----|-----|-----|-----|-----|-----|------------------|-------------------------|
| C-AB 6 | 27300006 | 27400006 | 6 | 12 | 8 | M4 | 0,6 | 1,5 | 8 | 0,3 | 30 | 0,06 |
| C-AB 8 | 27300008 | 27400008 | 8 | 16 | 8 | M4 | 0,8 | 2 | 10 | 0,3 | 30 | 0,24 |
| C-AB 10 | 27300010 | 27400010 | 10 | 20 | 10 | M5 | 0,8 | 3 | 13 | 0,3 | 30 | 0,36 |
| C-AB 12 | 27300012 | 27400012 | 12 | 22 | 12 | M5 | 0,8 | 4 | 15 | 0,5 | 30 | 0,42 |
| C-AB 15 | 27300015 | 27400015 | 15 | 25 | 12 | M6 | 1 | 4 | 18 | 0,6 | 25 | 0,63 |
| C-AB 17 | 27300017 | 27400017 | 17 | 28 | 12 | M6 | 1 | 4 | 20 | 0,6 | 25 | 0,72 |
| C-AB 20 | 27300020 | 27400020 | 20 | 32 | 14 | M6 | 1 | 5 | 24 | 0,8 | 25 | 1,44 |
| C-AB 25 | 27300025 | 27400025 | 25 | 40 | 16 | M6 | 1 | 6 | 29 | 0,8 | 25 | 2,61 |
| C-AB 30 | 27300030 | 27400030 | 30 | 45 | 16 | M8 | 1,2 | 6 | 34 | 1 | 15 | 2,10 |
| C-AB 35 | 27300035 | 27400035 | 35 | 56 | 16 | M8 | 1,2 | 8 | 39 | 1 | 15 | 4,92 |
| C-AB 40 | 27300040 | 27400040 | 40 | 63 | 18 | M10 | 1,2 | 8 | 44 | 1 | 15 | 7,50 |
| | | | | | | | | | | | | |
| | | | | | | | | | | | | |
| | | | | | | | | | | | | |
| | | | | | | | | | | | | |
| | | | | | | | | | | | | |
| | | | | | | | | | | | | |
| | | | | | | | | | | | | |
| | | | | | | | | | | | | |
| | | | | | | | | | | | | |
| | | | | | | | | | | | | |
| | | | | | | | | | | | | |
| | | | | | | | | | | | | |
| | | | | | | | | | | | | |
| | | | | | | | | | | | | |
| | | | | | | | | | | | | |

CLAMPING COLLARS FORM C-AB



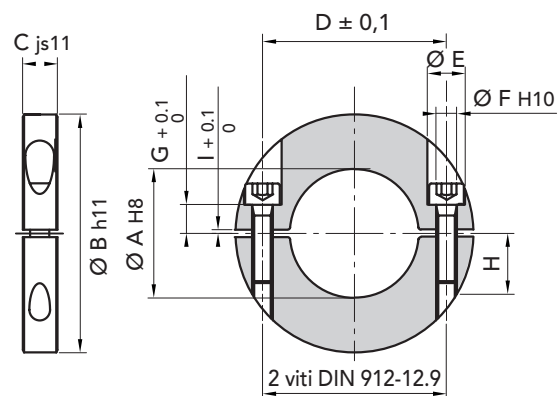
MATERIAL C 45 UNI 7845
PHOSPHATED
GALVANISED

CAD drawings available on our site
www.chiaravalli.com

Quantity, availability and prices
on B2B Chiaravalli



C-ADB



| TYPE | PHOSPHATED P. NUMBER | GALVANISED P. NUMBER | | | | | | | | | | | | PACKAGES FROM | WEIGHT PACKAGE Kg |
|----------|-------------------------|-------------------------|-----|-----|----|-----|-----|-----|-----|----|-----|--------|----|------------------|-------------------------|
| | | | Ø A | Ø B | C | Ø D | Ø E | Ø F | G | H | I | Screws | | | |
| C-ADB 8 | 27500008 | 27600008 | 8 | 25 | 10 | 15 | 8 | 4,5 | 5 | 15 | 1,4 | M4x15 | 20 | 0,40 | |
| C-ADB 10 | 27500010 | 27600010 | 10 | 32 | 10 | 20 | 8 | 4,5 | 5 | 15 | 1,4 | M4x15 | 20 | 0,57 | |
| C-ADB 12 | 27500012 | 27600012 | 12 | 32 | 10 | 20 | 8 | 4,5 | 5 | 15 | 2 | M4x15 | 20 | 0,60 | |
| C-ADB 15 | 27500015 | 27600015 | 15 | 40 | 12 | 25 | 10 | 5,5 | 7 | 18 | 2 | M5x20 | 20 | 1,00 | |
| C-ADB 18 | 27500018 | 27600018 | 18 | 45 | 12 | 30 | 10 | 5,5 | 7 | 18 | 2 | M5x20 | 15 | 1,25 | |
| C-ADB 20 | 27500020 | 27600020 | 20 | 45 | 12 | 30 | 10 | 5,5 | 7 | 18 | 2 | M5x20 | 15 | 1,20 | |
| C-ADB 24 | 27500024 | 27600024 | 24 | 50 | 12 | 36 | 10 | 5,5 | 7 | 18 | 2 | M5x20 | 15 | 1,42 | |
| C-ADB 25 | 27500025 | 27600025 | 25 | 50 | 12 | 36 | 10 | 5,5 | 7 | 18 | 2 | M5x20 | 15 | 1,41 | |
| C-ADB 28 | 27500028 | 27600028 | 28 | 56 | 12 | 42 | 10 | 5,5 | 7 | 18 | 2 | M5x20 | 10 | 1,74 | |
| C-ADB 30 | 27500030 | 27600030 | 30 | 56 | 12 | 42 | 10 | 5,5 | 7 | 18 | 2 | M5x20 | 10 | 1,65 | |
| C-ADB 32 | 27500032 | 27600032 | 32 | 56 | 12 | 42 | 10 | 5,5 | 7 | 18 | 2 | M5x20 | 10 | 1,60 | |
| C-ADB 35 | 27500035 | 27600035 | 35 | 63 | 12 | 48 | 10 | 5,5 | 7 | 18 | 2 | M5x20 | 10 | 2,03 | |
| C-ADB 38 | 27500038 | 27600038 | 38 | 63 | 12 | 48 | 10 | 5,5 | 7 | 18 | 2 | M5x20 | 10 | 2,00 | |
| C-ADB 40 | 27500040 | 27600040 | 40 | 70 | 14 | 55 | 11 | 6,5 | 7 | 18 | 2 | M6x20 | 10 | 2,84 | |
| C-ADB 45 | 27500045 | 27600045 | 45 | 80 | 14 | 65 | 11 | 6,5 | 7 | 18 | 2 | M6x20 | 5 | 1,90 | |
| C-ADB 50 | 27500050 | 27600050 | 50 | 80 | 14 | 65 | 11 | 6,5 | 7 | 18 | 2 | M6x20 | 5 | 1,75 | |
| C-ADB 60 | 27500060 | 27600060 | 60 | 100 | 16 | 80 | 14 | 8,5 | 7 | 18 | 2 | M8x20 | 5 | 3,15 | |
| C-ADB 70 | 27500070 | 27600070 | 70 | 110 | 20 | 88 | 17 | 11 | 8,5 | 22 | 3 | M10x25 | 5 | 4,40 | |
| C-ADB 80 | 27500080 | 27600080 | 80 | 125 | 20 | 100 | 17 | 11 | 8,5 | 22 | 3 | M10x25 | 5 | 5,65 | |
| | | | | | | | | | | | | | | | |
| | | | | | | | | | | | | | | | |
| | | | | | | | | | | | | | | | |
| | | | | | | | | | | | | | | | |
| | | | | | | | | | | | | | | | |
| | | | | | | | | | | | | | | | |
| | | | | | | | | | | | | | | | |
| | | | | | | | | | | | | | | | |
| | | | | | | | | | | | | | | | |
| | | | | | | | | | | | | | | | |
| | | | | | | | | | | | | | | | |
| | | | | | | | | | | | | | | | |
| | | | | | | | | | | | | | | | |

MATERIAL C 45 UNI 7845
PHOSPHATED
GALVANISED

CAD drawings available on our site
www.chiaravalli.com

Quantity, availability and prices
on B2B Chiaravalli





SPECIAL

COMPONENTS MANUFACTURING

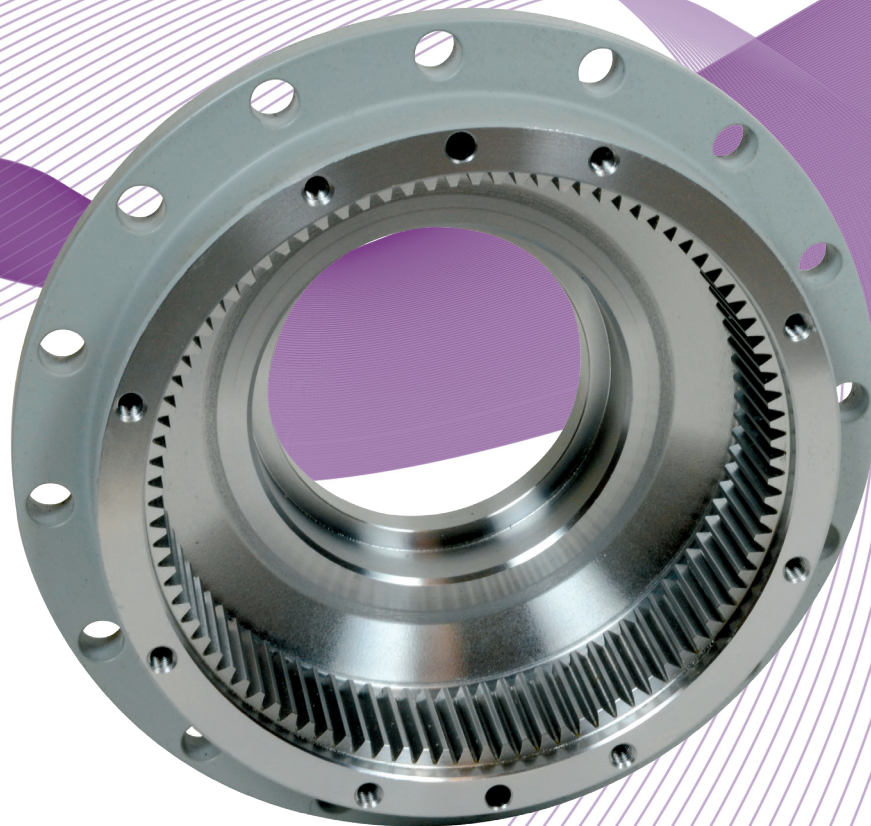
We produce high precision Gears and Special Mechanical Components.

A large and varied range of modern CNC machine tools assures large capacity production at high quality level.

Chiaravalli Group SpA co-workers, highly skilful and motivated by a great spirit of belonging to the company,

operate using the most modern CAE and CAD-CAM technologies. The production is certified and assured using three-dimensional high precision measuring machines.

Chiaravalli Group SpA your technological partner for high quality production.





WORM SCREW

JACKS

The new line of Worm Screw Jacks named CHT (Chiaravalli High Tech) integrates and completes our range of Mechanical Transmission products.

This new line of products is manufactured using high quality materials, manufactured with absolute precision, making use of the modern machinery fleet of the companies belonging to Chiaravalli Group SpA.

The basic elements that make up the final product "Screw Jack" are made in large series, rigorously

checked and put in stock.

Special virtual software developed by Chiaravalli Group SpA enables our customers to first view the various elements of the required screw jack and then, in the second phase, to order it with absolute precision and confidence.

Chiaravalli Group SpA is engaged to ensure the delivery of this product in very short time, with quality and precision.

