

Product Range

Wind Solutions



MOBILITY & WIND
INDUSTRIES







Wind Solutions



Over 30 years of expertise in the wind industry

Standard Solutions

- 700TW Series | Pitch drive
- 700TW Series | Yaw drive
- BN/M Series
- BE/ME Series
- BX/MX Series
- Active Cube Series
- Agile Series
- AEC Series

Innovative Solutions

- Integrated Load Cell
- 700TW Series
- Yaw & Pitch drives with Torque Limiter
- Integrated Agile
- Next generation mechatronic yaw drives
- 700TW Series
- Yaw drives with motor, brake and inverter integrated

Innovative solutions for renewable energies

For more than 30 years, Bonfiglioli has provided dedicated integrated solutions to the wind industry. The combined expertise in the designing and manufacturing of gearboxes in association with years of experience in application on wind turbines has enabled Bonfiglioli to become a global top player.

One out of every three wind turbines globally uses a Bonfiglioli gearbox.

The result is a complete package dedicated to the wind energy sector which seamlessly enables the control of energy generation, from rotor blade positioning with a pitch drive to nacelle orientation with a yaw drive.

Bonfiglioli has produced a completely integrated inverter solution for yaw drives and re-generator inverters to direct the electricity created by the wind turbine into the power grid.

Working closely with customers to develop tailor-made applications, Bonfiglioli uses its flexibility to deliver reliable, superior performance products, which comply with all worldwide standards. The largest companies around the world use Bonfiglioli Wind Energy Solutions.

Bonfiglioli also provides solutions for:



DISCRETE MANUFACTURING & PROCESS INDUSTRIES



ELECTROMOBILITY



MECHATRONIC & MOTION SYSTEMS

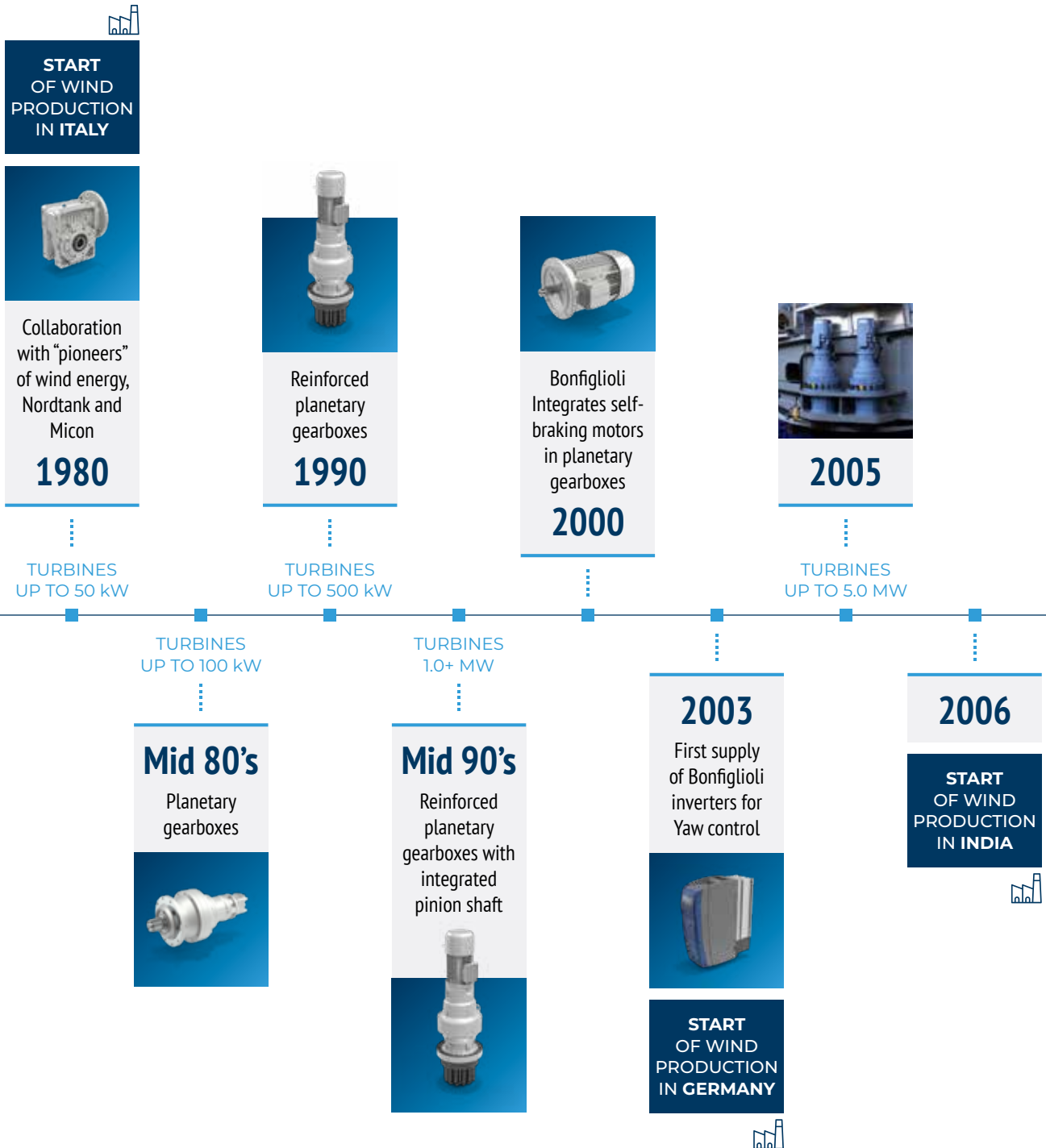


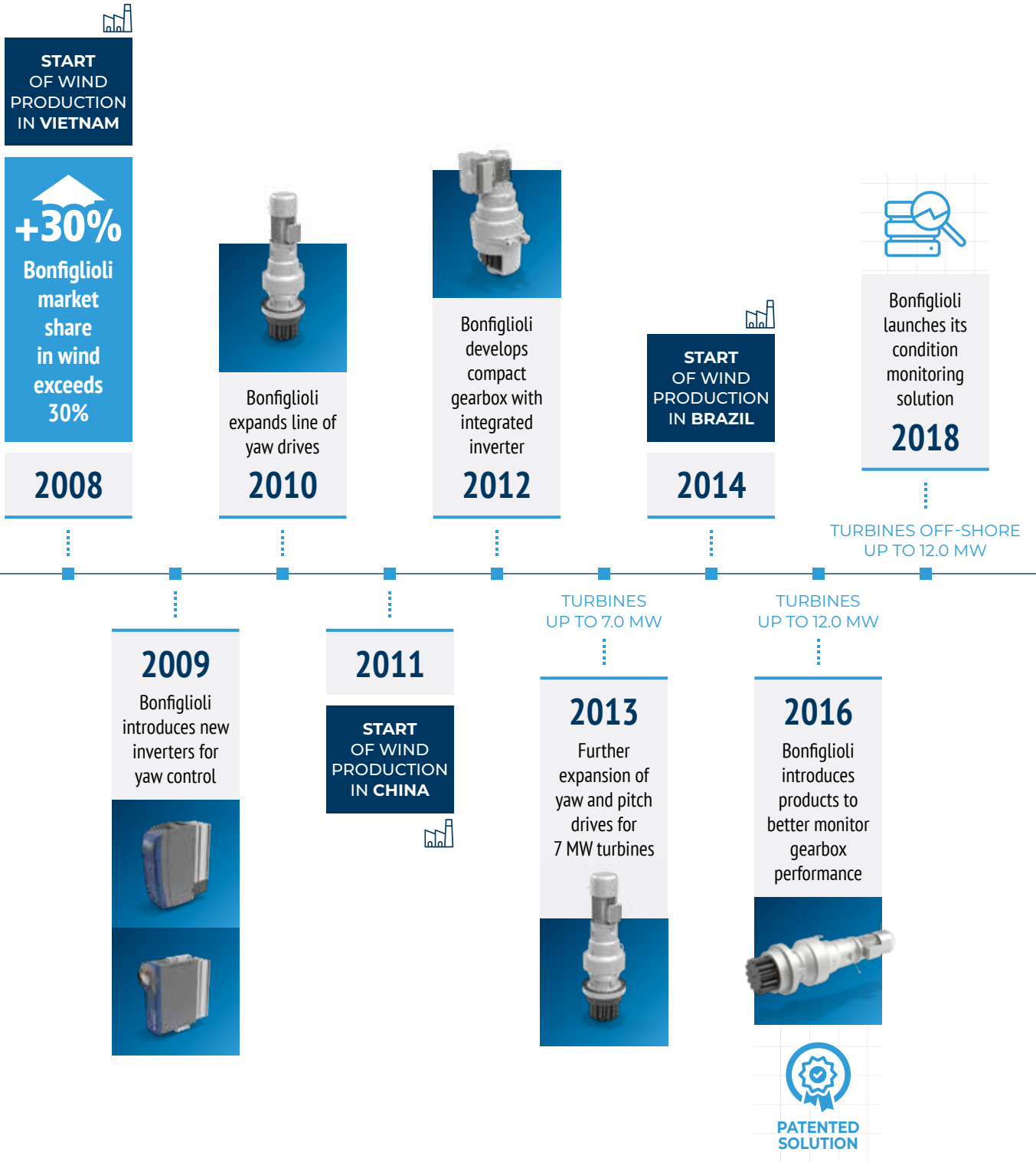
MOBILE

www.bonfiglioli.com



Over 30 years of expertise in the wind industry

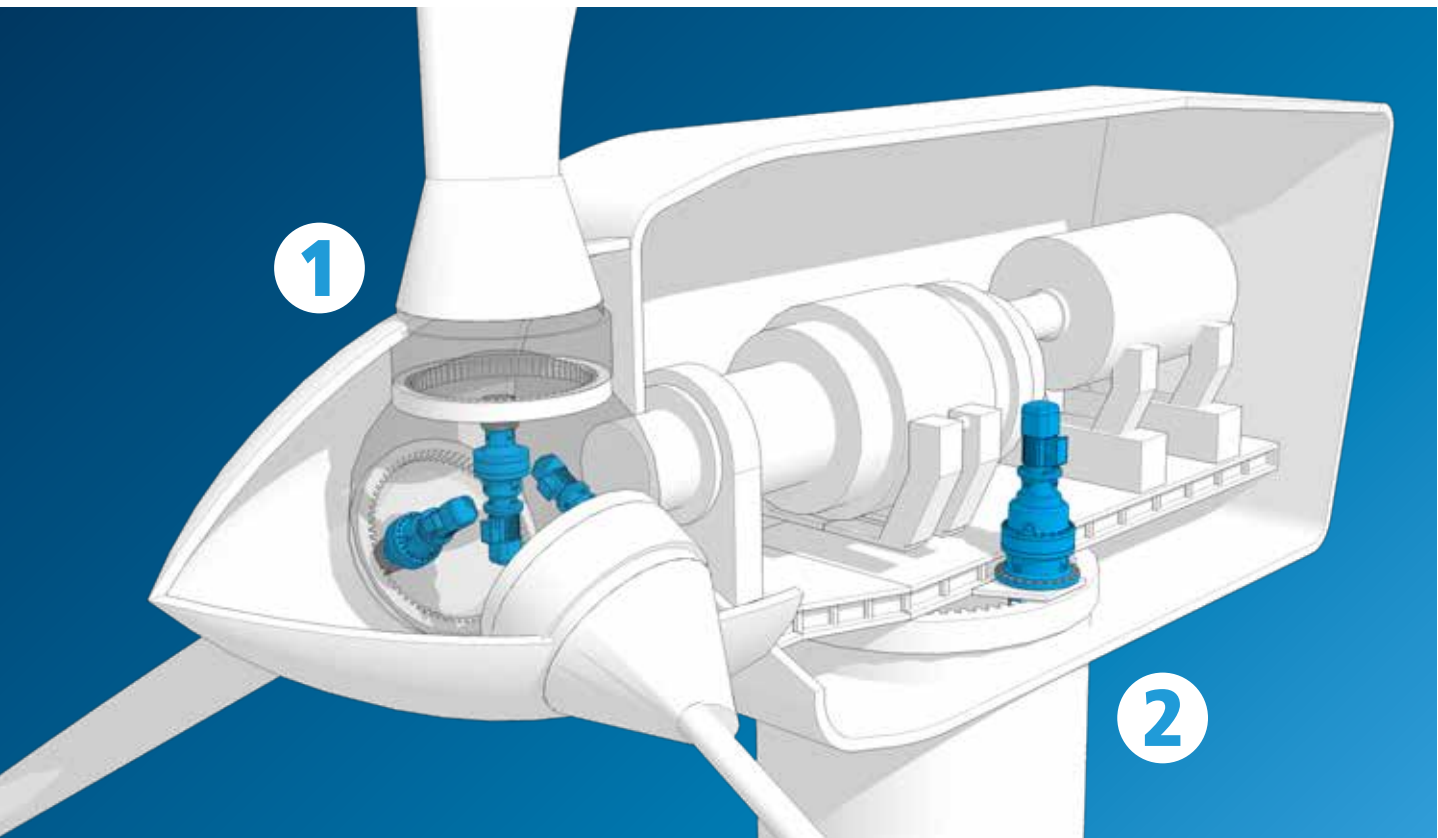




**Standard
Solutions**



Integrated solutions with motors and inverters



Pitch drives with asynchronous induction motors

1

Bonfiglioli pitch drives' wide range of output torques and gearbox sizes expertly meet the OEM requirements of wind turbines. Completely custom made, this product offers a flexible solution to wind turbine manufacturers. Recent new features like the integrated load cell and the torque limiter show that Bonfiglioli always thinks out the box and continuously searches for the most cost-effective solution.

> **BN, BE & BX Series** | AC motors

Yaw drives with asynchronous induction motors and inverters

2

With a wide range of output torques and gearbox sizes, Bonfiglioli yaw drives excellently meet the OEM requirements of wind turbines. Completely custom made, this product offers a flexible solution to wind turbine manufacturers. Recent new features, like the integrated load cell and the torque limiter, show that Bonfiglioli always thinks outside the box, continuously searching for the most cost-effective solution.

> **BN, BE & BX Series** | AC motors

> **Agile Series** | Standard inverters

> **Active Cube Series** | Premium inverters

> **AEC Series** | Regenerative units

> **Also with integrated inverter**

Standard Yaw & Pitch drives



700TW Series

Bonfiglioli products are used in the latest state-of-the-art wind turbines to control the necessary functions of pitch and yaw drive systems. 700TW series planetary speed reducers (wind turbine yaw control gear motors) are used by a number of leading wind turbine manufacturers due to their advanced technical features, ensuring the highest level of performance.

Gear ratios

- 60 ... 3,000

Applicable motors

- Electric motors

Key benefits

- High transmissible torque
- High radial/thrust load capacity
- High shock resistance and designed for heavy duty
- Wide range of reduction ratios (from 60 up to 3000)
- High efficiency
- Compact dimensions
- Low weight
- Low cost

Key Features

- Flange mounted
- Output shaft: splined or with integral pinion
- Rugged construction
- High torque capacity
- Output shafts supported by heavy duty bearings

Standards

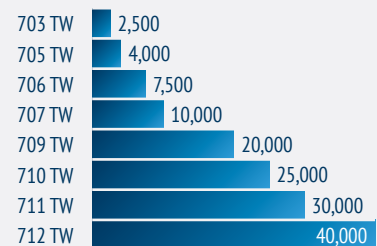
- Gears are designed according to ISO 6336
- Modular design
- In line or right angle design
- Different output versions
- Input for electric motor (IEC, NEMA and compact)

Construction features

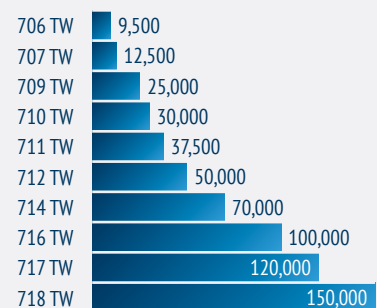
- There can be from 3 up to 5 reduction stages (all of them with a planetary design), depending upon the total required reduction ratio
- Each stage may have from 3 up to 4 planets (to increase the deliverable torque)
- The gears are made of alloyed steel and are heat treated (case hardening for suns & planets, induction hardening or nitriding for internal toothed rings)
- The planets are supported by roller bearings or full rollers track bearings to obtain an high efficiency during the phases of starting and running
- The output housing is made by nodular cast iron and designed to hold the heavy loads generated during the machine's job

Nominal torque (Nm)

Pitch drive



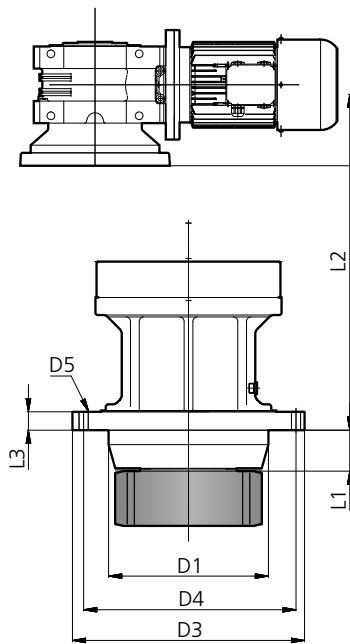
Yaw drive



The indicated data are for reference only; please contact Bonfiglioli for more detailed information.

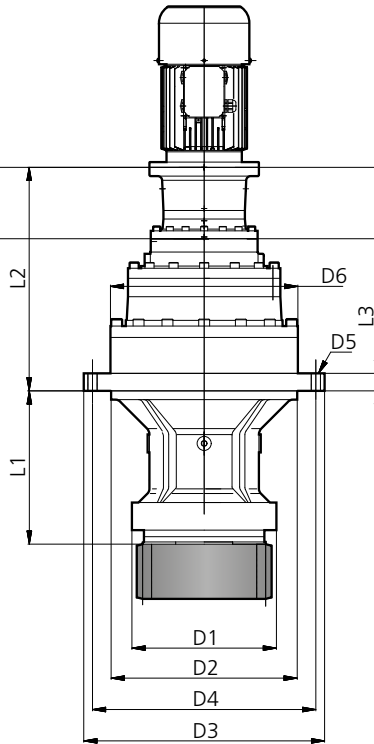
Overall dimensions

Combined version
Worm gearbox - Planetary gearbox



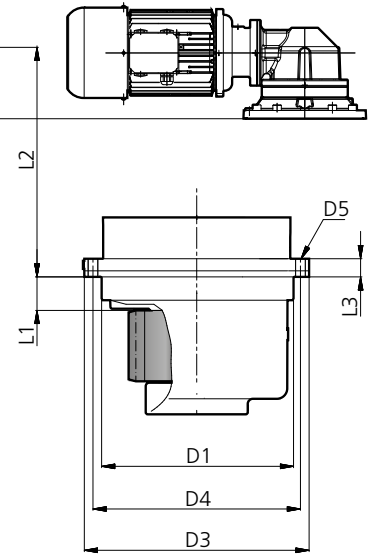
Output version F (short)

Inline version
Planetary gearbox



Output version N (long)

Right angle version
Planetary gearbox



Output version U (pinion supported)

Type	Version	D1	D2	D3	D4	D5	D6	L1	L2	L3
703T	F	175	-	275	245	∅ 18 n°10	244	41	370	20
705T	F	175	-	275	245	∅ 18 n°10	244	41	400	20
706T	F	250	-	360	320	∅ 18 n°24	292	130	460	35
706T	N	200	250	360	325	∅ 17 n°10	292	225	350	25
707T	F	310	-	410	360	∅ 22 n°12	348	70	540	30
707T	N	230	280	348	314	∅ 17 n°12	348	300	360	98
709T	F	310	-	410	360	∅ 22 n°12	348	70	540	30
709T	N	230	280	348	314	∅ 17 n°24	348	300	400	125
709T	U	340	-	405	375	∅ 17 n°24	348	90	450	40
710T	F	320	-	410	370	∅ 21 n°21	400	75	600	35
710T	N	300	425	500	450	∅ 22 n°12	400	360	500	40
710T	U	340	-	400	370	∅ 17 n°24	400	36	550	176
711T	F	390	-	520	480	∅ 17 n°30	428	60	700	35
711T	N	300	425	500	460	∅ 22 n°12	428	350	520	40
712T	F	410	-	490	450	∅ 21 n°24	428	125	660	40
712T	N	400	425	520	470	∅ 21 n°24	428	318	580	40
712T	U	415	-	530	480	∅ 26 n°16	428	140	500	45
714T	F	420	-	530	490	∅ 22 n°24	490	160	870	40
714T	U	555	-	645	600	∅ 30 n°32	490	97	760	100
716T	F	555	-	650	600	∅ 30 n°32	542	70	900	50
716T	U	555	-	650	600	∅ 30 n°32	542	70	900	50
717T	F	650	-	740	680	∅ 27 n°32	695	112	1250	50
718T	U	750	-	900	830	∅ 32 n°24	695	60	900	100

The indicated data are for reference only; please contact Bonfiglioli for more detailed information.

Pitch drive

Technical data



707T3N+BN132 Series

Gearboxes for 1.0 to 2.0 MW wind turbines

707T3N Series

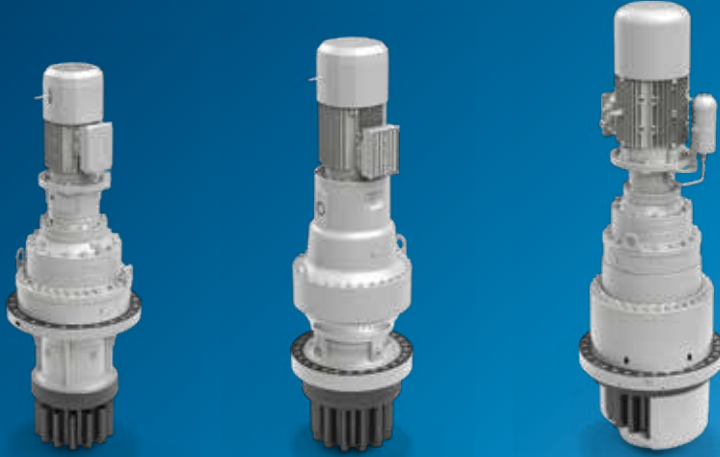
Gearboxes for 1.0 to 2.0 MW wind turbines

Wind turbine size MW	Pitch Drive number	Gearbox type & Max static torque	Electric motor type & power
up to 1.0	3	703 T ÷ 706 T 4.5 ÷ 16 [kNm]	BN 90 ÷ 100 1.1 ÷ 3.0 [kW]
1.0 ÷ 1.5	3	705 T ÷ 707 T 8 ÷ 25 [kNm]	BN 100 ÷ 132 2.2 ÷ 5.5 [kW]
1.5 ÷ 2.0	3	706 T ÷ 709 T 16 ÷ 55 [kNm]	BN 100 ÷ 132 3.0 ÷ 7.5 [kW]
3.0 ÷ 4.0	3	707 T ÷ 711 T 25 ÷ 80 [kNm]	BN 132 ÷ 160 5.5 ÷ 15.0 [kW]
5.0 ÷ 6.0	3	711 T ÷ 712 T 80 ÷ 110 [kNm]	BN 132 ÷ 180 9.2 ÷ 22.0 [kW]
7.0 ÷ 8.0	3 ÷ 6	712 T 110 [kNm]	BN 160 ÷ 200 11.0 ÷ 30.0 [kW]
9.0 ÷ 12.0	3 ÷ 6	712 T 110 [kNm]	BN 160 ÷ 200 11.0 ÷ 30.0 [kW]

Type	Peak static torque Nm	Range of ratios 1:	Available pinion module m	Weight kg
703 T	4.500	100-250	10 ÷ 12	60
705 T	8.000	100-250	10 ÷ 12	90
706 T	16.000	100-250	10 ÷ 14	120
707 T	25.000	100-250	12 ÷ 16	170
709 T	55.000	100-250	12 ÷ 20	300
710 T	60.000	100-250	14 ÷ 20	350
711 T	80.000	100-250	16 ÷ 20	400
712 T	110.000	100-250	18 ÷ 20	500

Yaw drive

Technical data



711T4N Series

Gearboxes for 1.0 to 2.0 MW wind turbines

714T4F+BN132 Series

Gearboxes for 2.0 to 4.0 MW wind turbines

716T4U Series

Gearboxes for 5.0 to 8.0 MW wind turbines

Wind turbine size	Yaw Drive number	Gearbox type & Max static torque	Electric motor type & power	Inverter type & power
MW				
up to 1.0	2 ÷ 4	706 T ÷ 709 T 15 ÷ 55 [kNm]	BN 80 ÷ 100 0.75 ÷ 2.2 [kW]	AGL / ACU size 1÷2 0.75 ÷ 2.2 [kW]
1.0 ÷ 1.5	2 ÷ 4	709 T ÷ 712 T 55 ÷ 110 [kNm]	BN 90 ÷ 112 1.1 ÷ 4.0 [kW]	AGL / ACU size 1÷2 1.1 ÷ 4.0 [kW]
1.5 ÷ 2.0	4 ÷ 6	709 T ÷ 714 T 55 ÷ 150 [kNm]	BN 100 ÷ 132 2.2 ÷ 5.5 [kW]	AGL / ACU size 2÷3 2.2 ÷ 5.5 [kW]
3.0 ÷ 4.0	4 ÷ 8	710 T ÷ 714 T 60 ÷ 150 [kNm]	BN 100 ÷ 132 3.0 ÷ 9.2 [kW]	AGL / ACU size 2÷3 3.0 ÷ 9.2 [kW]
5.0 ÷ 6.0	6 ÷ 8	714 T ÷ 716 T 150 ÷ 250 [kNm]	BN 132 ÷ 160 7.5 ÷ 15.0 [kW]	ACU size 3÷4 7.5 ÷ 15.0 [kW]
7.0 ÷ 8.0	6 ÷ 10	716 T ÷ 718 T 250 ÷ 400 [kNm]	BN 132 ÷ 180 9.2 ÷ 22.0 [kW]	ACU size 3÷5 9.2 ÷ 22.0 [kW]
9.0 ÷ 12.0	8 ÷ 16	716 T ÷ 718 T 250 ÷ 400 [kNm]	BN 132 ÷ 180 9.2 ÷ 22.0 [kW]	ACU size 3÷5 9.2 ÷ 22.0 [kW]

Type	Peak static torque	Range of ratios	Available pinion module	Weight
	Nm	1:	m	kg
706 T	16,000	600-3,000	10 ÷ 14	120
707 T	25,000	600-3,000	12 ÷ 16	170
709 T	55,000	600-3,000	12 ÷ 20	300
710 T	60,000	600-3,000	14 ÷ 20	350
711 T	80,000	600-3,000	16 ÷ 20	400
712 T	110,000	600-3,000	16 ÷ 20	550
714 T	150,000	600-3,000	20 ÷ 24	800
716 T	250,000	600-3,000	22 ÷ 26	1,000
717 T	300,000	600-3,000	26 ÷ 30	1,800
718 T	400,000	600-3,000	30 ÷ 36	2,100

The indicated data are for reference only; please contact Bonfiglioli for more detailed information.

Asynchronous IE1 Three Phase motor



BN/M Series

The IEC-normalized BN motors comply with all the applicable international standards, including the EMC and LV Directives. They are available in the 0.06 - 30 kW range in the foot and the flange mounting version, the latter in both the IM B5 and the IM B14 configuration with generally two brake options offered, DC and AC supply, Lastly, all motors are inverter duty.

Degree of protection

- Standard IP55
- Standard for brake motors IP54

Conformity

- Efficiency - IEC 60034-30
- Low Voltage Directive
- Electromagnetic Compatibility

Power supply

- @50 Hz: 230/400, 280/480, 400/690
- @60 Hz: 265/460, 280/480, 330/575, 380/660

Mounting options

- IM B3, IM B5, IM B14

Brake types

- AC & DC brakes

Brake-related options

- Manual release lever
- Soft-start flywheel
- Capacitive filter
- Brake separate power supply
- Brake functionality check (micro-switch)

Motors

- 3 phase asynchronous

Motor options

- Thermistors and thermostat sensors
- Independent forced cooling
- Incremental, sin/cos absolute single/multi-turn encoders
- Tropicalization
- Anti-condensate heaters
- Up to IP65 protection
- Insulation class H
- Customized connector

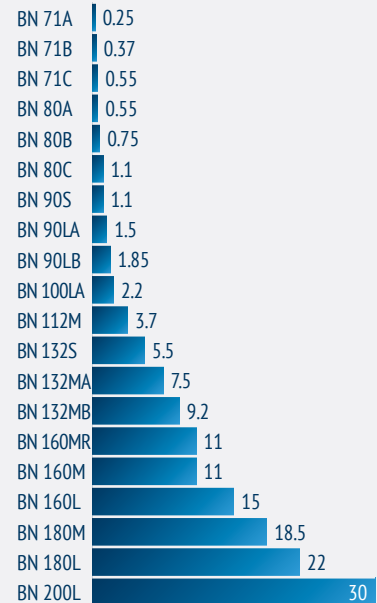
Key benefits

- Reduced operating cost
- Energy saving
- Complete solution (gearbox and motor)
- Control flexibility
- Flexibility
- Global motor

Key features

- Compact version
- Inverter duty ready
- Multiple-speed motors
- Certified motor (DOE, NRCAN, CCC, etc.)

Power (kW)



Other sizes available.

The indicated data are for reference only; please contact Bonfiglioli for more detailed information.

Asynchronous IE2 Three Phase motor



BE/ME Series

The IEC-normalized BE motors comply with IEC 60034-30:2008 (efficiency classes) and all the applicable international standards, including the EMC and LV Directives.

They are available in the 0.75 - 22 kW range in the foot and the flange mounting version, the latter in both the IM B5 and the IM B14 configuration.

Lastly, all motors are inverter duty.

Degree of protection

- Standard IP55

Conformity

- Efficiency - IEC 60034-30
- Low Voltage Directive
- Electromagnetic Compatibility

Power supply

- @50 Hz: 230/400, 280/480, 400/690
- @60 Hz: 265/460, 280/480, 330/575, 380/660

Mounting options

- IM B3, IM B5, IM B14

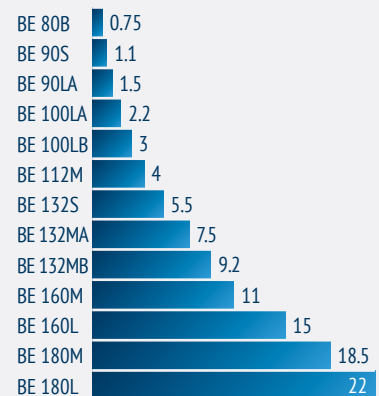
Motors

- 3 phase asynchronous

Motor options

- Thermistors and thermostat sensors
- Independent forced cooling
- Incremental, sin/cos absolute single/multi-turn encoders
- Tropicalization
- Anti-condensate heaters
- Up to IP65 protection

Power (kW)



Other sizes available.

The indicated data are for reference only; please contact Bonfiglioli for more detailed information.

Asynchronous IE3 Three Phase motor



BX/MX Series

The release of the new BX/MX motors is a further expression of our regard for the environment.

The BX/MX motors fulfil IE3 efficiency class requirements, according to the international standard IEC 60034-30.

The "X" of the new BX/MX motors stands for "excellence" in efficiency, being IE3 the top efficiency rating currently formalized by global standards.

Lastly, all motors are inverter duty and generally 3 brakes options are offered.

Degree of protection

- Standard IP55
- Standard for brake motors IP54

Conformity

- Efficiency - IEC 60034-30
- Low Voltage Directive
- Electromagnetic Compatibility

Power supply

- @50 Hz: 230/400, 280/480, 400/690
- @60 Hz: 265/460, 280/480, 330/575, 380/660

Mounting options

- IM B3, IM B5, IM B14

Brake types

- AC & DC brakes

Brake-related options

- Manual release lever
- Soft-start flywheel
- Capacitive filter
- Brake separate power supply
- Brake functionality check (micro-switch)

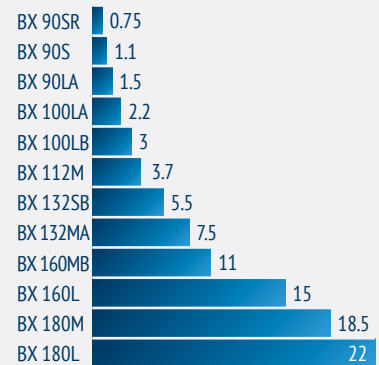
Motors

- 3 phase asynchronous

Motor options

- Thermistors and thermostat sensors
- Independent forced cooling
- Incremental, sin/cos absolute single/multi-turn encoders
- Tropicalization
- Anti-condensate heaters
- Up to IP65 protection

Power (kW)



Other sizes available.

The indicated data are for reference only; please contact Bonfiglioli for more detailed information.

Premium drive



Active Cube Series

The Bonfiglioli Active Cube is a frequency inverter offering both compactness and flexibility. This specific solution is adaptable on a wide range of machines, starting from servo to heavy industry applications. The broad support for various field bus systems and the standardized interface for motion control applications make Active Cube an excellent jack of all trades for your application needs.

Power range

- ACU210: 0.25 - 9.2 kW
single or three-phase 200 - 240V
50 - 60 Hz ($\pm 10\%$)
- ACU410: 0.25 - 400 kW
three-phase 360 - 480V
50 - 60 Hz ($\pm 10\%$)
Parallel connection up to 1,200 kW
- ACU510: 160 - 400 kW
three-phase 525V
50 - 60 Hz ($\pm 10\%$)
Parallel connection up to 1,200 kW
- ACU610: 160 - 400 kW
three-phase 690V
50 - 60 Hz ($\pm 10\%$)
Parallel connection up to 1,200 kW

Type of control

- Vector sensor less and closed loop control for Permanent Magnets, Induction and Synchronous Reluctance machines

Overload capacity

- 150% for 60 seconds and 200% for 1 second

Switching frequency

- 2, 4, 8, 12, 16 kHz

Enclosure

- IP20 (EN 60529)

EMC filter

- Integrated up to 9.2 kW (EN 61800-3)

Hardware features

- Integrated safe torque off (ACU410: STO Sil 3 / PL e) function
- External 24Vdc supply
- Integrated dynamic braking module
- DC link connection
- Standard HTL encoder interface
- Motor temperature monitoring
- Plug-in power terminals (up to 3kW)
- Plug-in and programmable control terminals
- 6 digital inputs, 1 multifunction input
- 1 digital output, 1 multifunction output
- 1 relay output (changeover contact)

Optional expansion modules

- Expansion of analog, digital inputs and outputs, additional encoder or resolver input and sincos encoder, repetition frequency output, System bus

Optional communication modules

- PROFIBUS-DPV1, CANopen, RS232, RS485, DeviceNet, EtherCAT®, PROFINET, VABus/TCP, Modbus TCP, EtherNet I/P

Optional keypad

- Removable keypad KP500 with copy function, Cabinet mounting kit and handheld for keypad

Optional PC software

- VPlus for Windows with motor setup, terminal monitor
- Actual value window
- Scope function
- Parameter Storage

Software features

- Positioning function
- Rotary table control
- Master / Slave function with electronic gear
- Power failure regulation
- Function for lift, crane and winch applications
- Spindle control up to 1000Hz
- Traverse function for winders
- Volume flow control

Standard drive



Agile Series

The Agile Series of inverters by Bonfiglioli sets new standards in technology for a broad range of users. Agile inverters are particularly suited for the food & beverage, textile, wood, packaging and ceramic industries, where they can be used in a variety of medium complexity automation processes.

Power range

- AGL402: 0.25 - 11 kW
3-ph 320 V... 530 V
50 - 60 Hz ($\pm 10\%$)
- AGL202: 0.12 - 3 kW
1-ph 200 V... 240 V
50 - 60 Hz ($\pm 10\%$)
0.25 - 7.5 kW
3-ph 200 V ... 240 V
50 - 60 Hz ($\pm 10\%$)

Motor compatibility

- Vector sensor less for Permanent Magnets, Induction and Synchronous Reluctance machines

Overload capacity

- Asynchronous AC motors
- Permanent magnet synchronous (brushless) motors

Type of control

Selectable control function:

- V/f control for asynchronous motors
- Sensor-less vector control for asynchronous motors
- Sensor-less vector control for brushless motors

Degree of protection

- IP20 (EN 60529)

Hardware features

- Power supply from common DC bus
- Integrated braking module
- Short circuit / ground fault protection
- Integrated Safe Torque Off safety system
- Plug-in and programmable control terminals
- 6 digital inputs, 2 multifunctional A/D inputs
- 1 multifunctional I/O, 1 digital output
- 1 multifunctional A/D/pulse output, 1 relay output (alarm)
- Available power outputs: +24 V DC, +10 V DC
- Optional separate 24 V DC electronic power supply
- Standard serial interfaces: RS-232, RS485, system bus
- Integrated Modbus

Optional expansion modules

- Resource Pack memory card

Optional communication modules

- PROFIBUS-DPV1, CANopen, RS232, RS485, DeviceNet, EtherCAT®, PROFINET, VABus/TCP, Modbus TCP, EtherNet I/P

PC software

- VPlus suite

Software features

- Permanent motor tuning
- Selective Multi-Motor Control (SMMC)
- Energy saving function
- Ready-to-use application masks
- Integrated maintenance wizard
- Alarm history
- Motor and inverter state memory
- Autodiagnosics
- Integrated PLC function with graphic development environment
- Integrated oscilloscope function
- Customizable units of measurement

Regenerative drive



AEC Series

Decades of experience in electronic industrial drives and renewable energy have enabled Bonfiglioli to offer an effective solution for recovering braking energy. This solution comes as the new Active Regenerative System inverters (AEC). In a large number of electrically controlled industrial applications, inertia in moving mechanisms can drive electric motors as they act as brakes. They convert kinetic energy into electrical energy. In a regenerative process, this energy is returned to the grid.

Power range

- 9.7 ... 173.2 kVA
3-phase 320V ... 440V
45Hz ... 66Hz

Overload capacity

- 150% for 1min

Operating mode

Control mode selection:

- Input and regenerative power with sinusoidal current
- Regenerative power with square-wave current

Enclosure

- IP20 (EN 60529)

Main hardware features

- DC link connection
- Adjustable input and regenerative power control
- Short-circuit and earth-fault resistance
- Configurable control terminals

Bus communication

- RS232, RS485, Profibus-DP, CANopen

Operating panel

- Removable KP500 keypad

PC software

- VPlus for Windows operating systems

Software features

- Adjustable displacement factor (sinusoidal)
- Harmonic distortion factor <3% (sinusoidal)
- Adjustable DC link voltage (sinusoidal)
- Power factor ~0.9 (square wave)
- Automatic network synchronization
- Operation independent of phase sequence
- Performance and load characteristics curve

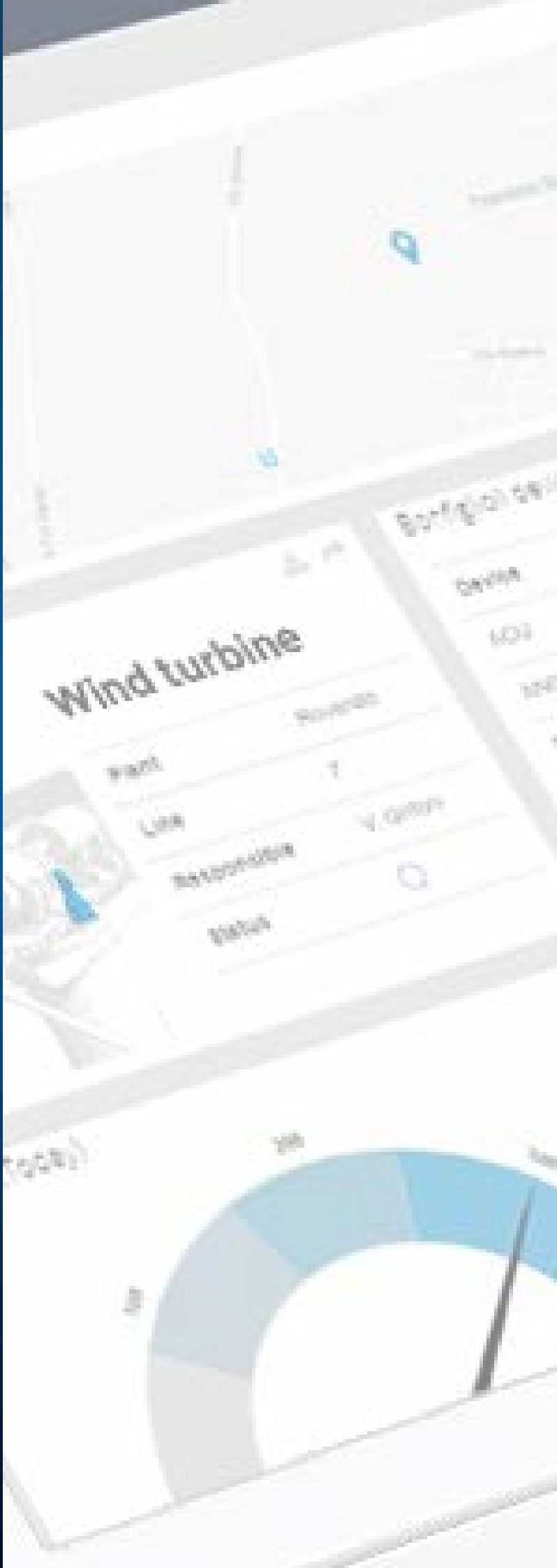
Hardware features

- Integrated dynamic braking module
- DC link connection
- Plug-in and programmable control terminals
- 6 digital inputs, 1 multifunction input
- 1 digital output, 1 multifunction output, 1 relay output (changeover contact)

Key features

- Feed energy
- Input and regenerative power with sinusoidal current
- Regenerative power with square-wave current

**Innovative
Solutions**



Bonfiglioli Condition Monitoring System



Our technology is an innovative solution for constantly monitoring the health of a gearbox, particularly relevant for offshore wind applications where early fault detection is critical in increasing reliability as well as lowering operational costs, maintenance costs and reducing downtime.



STANDARD DRIVE INVERTERS



INTEGRATED OR CABLE SENSORS



REAL TIME DATA ACQUISITION:
 PRESSURE
 TORQUE
 POWER
 SPEED
 VIBRATION
 TEMPERATURE



EDGE COMPUTER
 AI BASED ALGORITHMS



Tailor-made IIoT platform

SMART MONITORING & MAINTENANCE FOR YOUR FULL MOTION CONTROL CHAIN WITH BONFIGLIOLI INVERTERS, MOTORS AND GEARBOXES

- Device sensorization & monitoring
- Edge & cloud computing
- Bonfiglioli dashboards & customized information

BONFIGLIOLI DASHBOARD
 DYNAMIC LIFECYCLE MONITORING
 PREDICTIVE MAINTENANCE
 HEALTH DEVICE ASSESSMENT

Integrated Load Cell



Precise real-time load peak monitoring.

This solution integrates the load cell into the gearbox. The output signal from the transmitter can:

- Shut down the e-motor if necessary
- Reduce the input power (e.g. by frequency converter)
- Elaborate the information by customer PLC (e.g. creating working group graphic in real time)



PATENTED SOLUTION



MONITORING PERFORMANCE

Integrated inside the gearbox, the load cell provides a precise monitoring



MEASURING TORQUE

Precisely and quickly measure torque



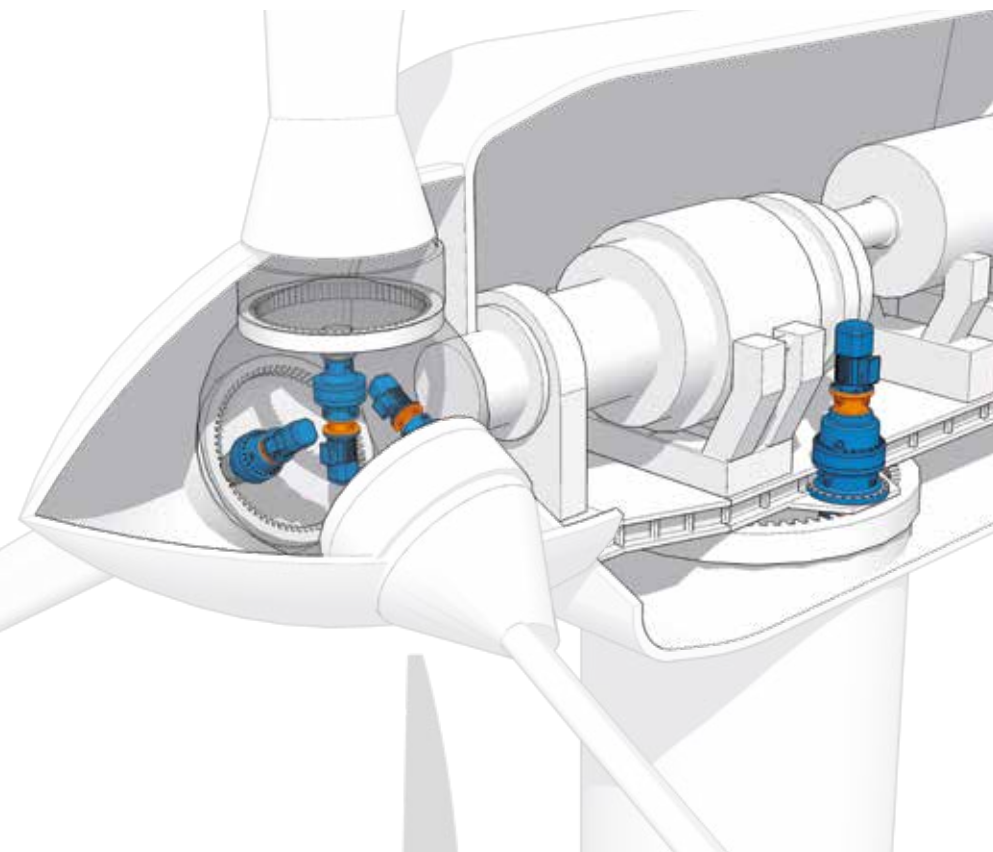
REAL-TIME MONITORING



AUTOMATIC MOTOR SWITCHING



ANTI-SEIZE FUNCTION



Technical information

- The Load Cell is located between the e-motor and first stage of transmission
- It can be fixed with all IEC and gear stages just by changing the interface component

Applications

Used in all applications with an e-motor where it is necessary to control and manage the input power, including:

- Yaw Drives
- Pitch Drives

Yaw & Pitch drives with Integrated Load Cell



700TW Series

For all applications of yaw and pitch drives for the monitoring of load peaks, Bonfiglioli offers its customers a solution that is protectively integrated into the gearmotor. The integrated load cell quickly and precisely measures torque and enables torque monitoring in real time. The system provides an automatic engine shut-down to protect the drive or reduce the capacity of the frequency converter and provides information to the PLC. The system also has an anti-seize function which prevents blockages.

Rated torque range

- 2,500 ... 150,000 Nm

Peak torque range

- 4,500 ... 400,000 Nm

Reduction ratios

- 1:60 ... 3,000

Key features

- Located inside the gearbox to measure gearbox performance in real time
- Can be monitored remotely to immediately detect problems or potential failures
- Gives wind farm operators the ability to measure performance of individual components within the nacelle

Gearbox configuration

- Flange mounted
- Output shaft: with integral pinion (type: F, N, U)
- Rugged design
- High torque capacity
- Output shafts supported by high load capacity bearings

Applicable AC motors

- Compact motors and brake motors M/ME series
- IEC motors and brake motors BN/BE series

Main brake motor features

- DC and AC brake

Main brake features

- AC/DC rectifier
- Double disc brake
- Microswitch
- Thermal sensors

Yaw & Pitch drives with Torque Limiter.



700TW Series

For both Yaw and Pitch drive applications, Bonfiglioli has created a torque limiter which significantly reduces downtime in the case of stopping the transmission of wind turbines when peak torque has been reached and also reduces maintenance costs.

Rated torque range

- 2,500 ... 150,000 Nm

Peak torque range

- 4,500 ... 400,000 Nm

Reduction ratios

- 1:60 ... 3,000

Gearbox configuration

- Flange mounted
- Output shaft: with integral pinion (type: F, N, U)
- Rugged design
- High torque capacity
- Output shafts supported by high load capacity bearings

Applicable AC motors

- Compact motors and brake motors M/ME series
- IEC motors and brake motors BN/BE series

Main brake motor features

- DC and AC brake

Main brake features

- AC/DC rectifier
- Double disc brake
- Microswitch
- Thermal sensors

Key features of torque limiter

- External to gearbox* for fast and easy replacement - no longer necessary to replace the entire gearbox
- Limits peak of torque to avoid failure
- Shuts down gearbox if torque limit is reached
- Fully interchangeable with older gearboxes - can be included in replacement drives for greater long-term reliability and reduced costs

(*) The torque limiter is located inside an easily removable and replaceable cartridge, which is integrated into a worm gear. It is only possible in a right angle solution.

The indicated data are for reference only; please contact Bonfiglioli for more detailed information.

Next generation mechatronic yaw drives.



Integrated Agile

Integrated Agile inverters can be mounted directly to the motor and represent a very compact alternative to the traditional yaw system without inverter or with the motor supplied by a standard frequency converter installed in a cabinet.

Using integrated Agile inverters, the performance of turbine yaw systems is enhanced, and additional benefits in terms of reliability, availability and system cost optimization can be achieved.

Power range

- 1.1 kW up to 11 kW

Power supply

- 3-Phase 320V ... 528V / 45Hz ... 66Hz

Type of control

Innovative control dedicated to open loop drives:

- Sensor-less vector speed and torque control for induction motor
- Sensor-less vector speed and torque control for brushless motor
- Sensor-less V/f scalar control

Enclosure

- Protection rating: IP65 (EN60529)
- Material: robust aluminum

Main standard features

- Built-in EMC filter for straightforward EMC compliance
- Integrated CANopen / RS485 Modbus / Systembus interfaces
- Integrated brake chopper transistor
- MMC memory cards for easy and fast start up / parameter copying
- Optional communication Modules: Profibus-DP, Ethernet-based field buses
- 6 digital inputs, 2 configurable A/D multi-function inputs, +24VDC input, 1 configurable I/O port
- 1 digital output, 1 configurable A/D/pulse multi-function output, 1 relay, +24VDC output, +10VDC output

Main software features

- Integrated Safe-Torque-Off function
- Four data sets
- Drive and motor status backup
- Static and dynamic energy saving functions
- Maintenance integrated assistant
- Integrated PLC functions with graphical editor
- Integrated scope function

Dedicated features for wind turbine yaw drives

- Fanless
- Long life: use of film capacitors
- Operation temperature range: from -10 up to 50°C (special version on request for colder climates)
- Resistance to harsh ambient conditions (corrosion, high humidity)

Yaw drives with motor, brake and inverter integrated.



700TW Series

The solution specifically designed for yaw drive applications.

More compact than existing solutions, this innovative system for nacelle orientation control is now equipped with integrated motor and brake and is inverter ready.

The new design incorporates a special feature for quick installation and setting and grants simpler maintenance over the product lifetime.

The yaw control multistage planetary gearmotor is perfect for wind turbines from 1.5 MW to 3.5 MW, both for onshore and offshore applications.

An innovative design system:

- Smaller dimensions with the same performance - 20% height reduction compared to traditional solution
- Lighter weight - 8% less than traditional solution
- Design complexity reduction - 11% less components than traditional solution
- Easier installation
- Simplified maintenance also with longer service intervals - 10 years
- Efficiency improved thanks to the design focused on the Wind application profile.

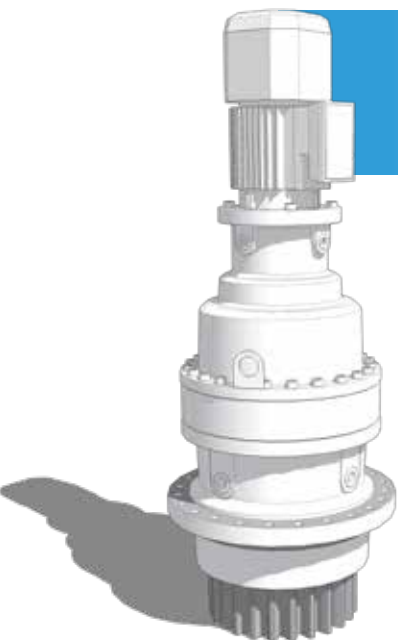
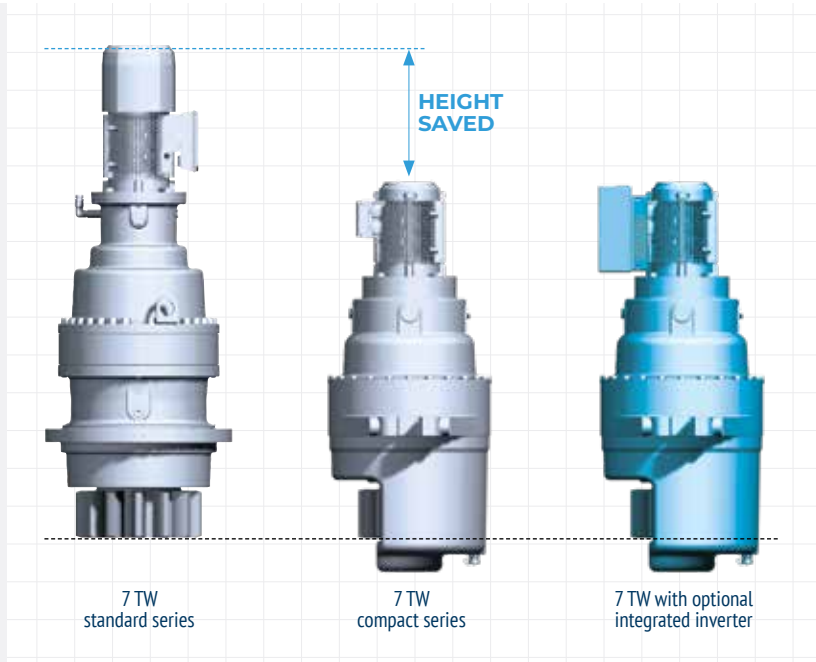
Integrated inverters for maximum efficiency:

- Higher reliability and increased life of mechanics guaranteed by electronic control of torques
- Maintenance prediction, through diagnostics via inverter field bus
- Easier installation and less components at nacelle because no cabinet required
- Energy efficiency improved thanks to vector control of active and reactive power.

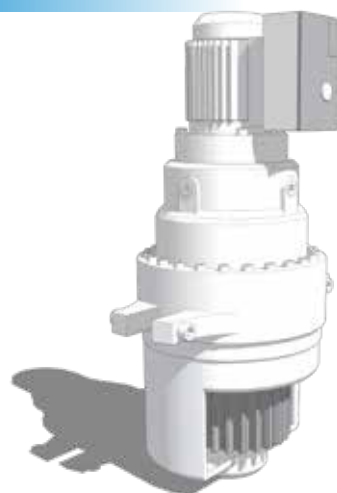


Technical key characteristics:

- Size: 712 TW
- Rated dynamic torque: 50 kNm
- Peak static torque: 110 kNm
- Reduction ratio: from 600 to 3000
- Pinion module: from 16 to 20
- Motor size: IEC100 integrated
- Parking brake: integrated
- Inverter: optionally integrated



Standard Yaw Drive
3 sections, separate brake; requires separate inverter



New generation Yaw Drive
2 sections, integrated brake; integrated inverter

**20%
HEIGHT
REDUCTION***

← **INTEGRATED
INVERTER**

SMALLER

Integrated AC motor flange and brake decreases height by 20%*

SIMPLER

Less bolted connections and only 2-piece housing 11%* less components

LIGHTER

Total unit weight reduced by 8%*

COMPLETE “PLUG AND PLAY” SOLUTION

* Measures vary depending on gearbox size

Global Presence



Bonfiglioli is a market force with a presence spanning 22 countries on 5 continents. Our organization makes the most of geographic proximity to offer complete solutions combining efficiency and competence.



3780
EMPLOYEES



20
BRANCHES



13
PLANTS



550
DISTRIBUTORS



80
COUNTRIES

We Are a Global Company

Thanks to an international network of sales branches and closely interconnecting production plants, we can guarantee the same high standards of Bonfiglioli quality anywhere at any given time. Aware that our direct presence in local markets is the key to long-lasting success, our family includes 20 sales branches, 13 production plants and more than 500 distributors around the world.

Our organization is always close by, offering complete and efficient solutions and supporting our customers with dedicated services, such as co-engineering or after-sales assistance.



Bonfiglioli Worldwide Locations

Australia

Bonfiglioli Transmission (Aust.) Pty Ltd.

2, Cox Place Glendenning NSW 2761
Locked Bag 1000 Plumpton NSW 2761
Tel. +61 2 8811 8000

Brazil

Bonfiglioli Redutores do Brasil Ltda.

Travessa Cláudio Armando 171 - Bloco 3 - CEP 09861-730
Bairro Assunção - São Bernardo do Campo - São Paulo
Tel. +55 11 4344 2322

China

Bonfiglioli Drives (Shanghai) Co. Ltd.

#68, Hui-Lian Road, QingPu District,
201707 Shanghai
Tel. +86 21 6700 2000

France

Bonfiglioli Transmission s.a.

14 Rue Eugène Pottier
Zone Industrielle de Moimont II - 95670 Marly la Ville
Tel. +33 1 34474510

Germany

Bonfiglioli Deutschland GmbH

Sperberweg 12 - 41468 Neuss
Tel. +49 0 2131 2988 0

Bonfiglioli Vectron GmbH

Europark Fichtenhain B6 - 47807 Krefeld
Tel. +49 0 2151 8396 0

O&K Antriebstechnik GmbH

Ruhrallee 8-12 - 45525 Hattingen
Tel. +49 0 2324 2050 1

India

Bonfiglioli Transmissions Pvt. Ltd.

Mobile, Wind

AC 7 - AC 11 Sidco Industrial Estate
Thirumudivakkam Chennai - 600 044
Tel. +91 844 844 8649

Industrial

Survey No. 528/1, Perambakkam High Road Mannur Village,
Sriperumbudur Taluk Chennai - 602 105
Tel. +91 844 844 8649

Industrial

Plot No.A-9/5, Phase IV MIDC Chakan,
Village Nighoje Pune - 410 501
Tel. +91 844 844 8649

Italy

Bonfiglioli Riduttori S.p.A.

Headquarters

Via Giovanni XXIII, 7/A - 40012 Lippo di Calderara di Reno
Tel. +39 051 647 3111

EVO - Industrial

Via Bazzane, 33/A - 40012 Calderara di Reno
Tel. +39 051 6473111

Mobile, Wind

Via Enrico Mattei, 12 Z.I. Villa Selva - 47100 Forlì
Tel. +39 0543 789111

Bonfiglioli Italia S.p.A

Via Sandro Pertini lotto 7b - 20080 Carpiano
Tel. +39 02 985081

Bonfiglioli Mechatronic Research S.p.A

Via Unione 49 - 38068 Rovereto
Tel. +39 0464 443435/36

New Zealand

Bonfiglioli Transmission (Aust.) Pty Ltd.

88 Hastie Avenue, Mangere Bridge, 2022 Auckland
PO Box 11795, Ellerslie
Tel. +64 09 634 6441

Singapore

Bonfiglioli South East Asia Pte Ltd.

8 Boon Lay Way, #04-09,
8@ Tadehub 21, Singapore 609964
Tel. +65 6268 9869

Slovakia

Bonfiglioli Slovakia s.r.o.

Robotnícka 2129
Považská Bystrica, 01701 Slovakia
Tel. +421 42 430 75 64

South Africa

Bonfiglioli South Africa Pty Ltd.

55 Galaxy Avenue, Linbro Business Park, Sandton,
Johannesburg, 2090 South Africa
Tel. +27 11 608 2030

Spain

Tecnotrans Bonfiglioli, S.A.

Pol. Ind. Zona Franca, Sector C, Calle F, nº 6
08040 Barcelona
Tel. +34 93 447 84 00

Turkey

Bonfiglioli Turkey Jsc

Atatürk Organize Sanayi Bölgesi, 10007 Sk. No. 30
Atatürk Organize Sanayi Bölgesi, 35620 Çiğli - Izmir
Tel. +90 0 232 328 22 77

United Kingdom

Bonfiglioli UK Ltd.

Unit 1 Calver Quay, Calver Road, Winwick
Warrington, Cheshire - WA2 8UD
Tel. +44 1925 852667

USA

Bonfiglioli USA Inc.

3541 Hargrave Drive
Hebron, Kentucky 41048
Tel. +1 859 334 3333

Vietnam

Bonfiglioli Vietnam Ltd.

Lot C-9D-CN My Phuoc Industrial Park 3
Ben Cat - Binh Duong Province
Tel. +84 650 3577411



We have a relentless commitment to excellence, innovation and sustainability. Our team creates, distributes and services world-class power transmission and drive solutions to keep the world in motion.

HEADQUARTERS

Bonfiglioli Riduttori S.p.A.
Via Giovanni XXIII, 7/A
40012 Lippo di Calderara di Reno
Bologna (Italy)
www.bonfiglioli.com

